



TESLA

C Z E C H R E P U B L I C

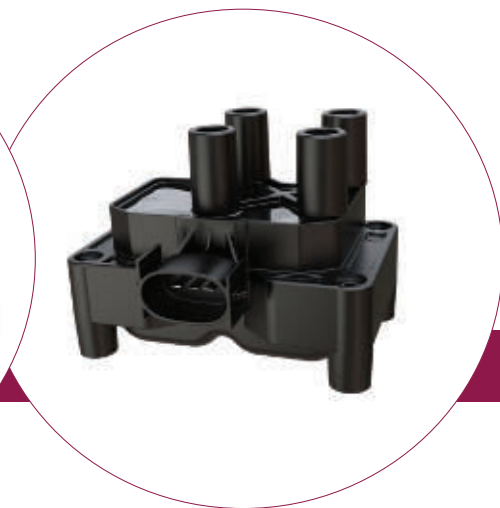
ZAPALOVACÍ CÍVKY
IGNITION COILS
КАТУШКИ ЗАЖИГАННЯ



2017 - 2018



ZÜNDSPULEN
BOBINE ACCENSIONE
ZAPALOVACÍ CÍVKY
IGNITION COILS
КАТУШКИ ЗАЖИГАНИЯ
BOBINES D'ALLUMAGE
BOBINAS DE ENCENDIDO



www.tesla-blatina.cz



2 - 4	Assortment, marking, technical specification Ассортимент, обозначение, техническое описание Sortiment, značení, technický popis
.....	
5 - 156	Application of ignition coils, coil on plug boots Применение катушек зажигания, наконечников катушек зажигания Použití zapalovacích cívek, koncovek zapalovacích cívek
.....	
157 - 270	Ignition coils - summary incl. drawings Катушки зажигания - перечень, фотографии Zapalovací cívky - přehled s fotografiemi
.....	
271 - 289	Coil on plug boots - summary incl. drawings Наконечники катушек зажигания - перечень, фотографии Koncovky zapalovací cívky - přehled s fotografiemi
.....	
291 - 301	Ignition coils - cross references Катушки зажигания - таблицы сравнения Zapalovací cívky - srovnací tabulky
.....	
302	Additional information Дополнительная информация Doplňující informace
.....	

Catalogue number of ignition coil / Номер катушки зажигания / Objednáací číslo zapalovací cívky

C L O O 1

Pencil (direct) coils
Индивидуальные катушки
Přímé (tužkové) cívky



CL405
Ford



CL510
Nissan

Rail coils
Блоки индивидуальных катушек
Zapalovací lišty



CL127
Citroen, Peugeot

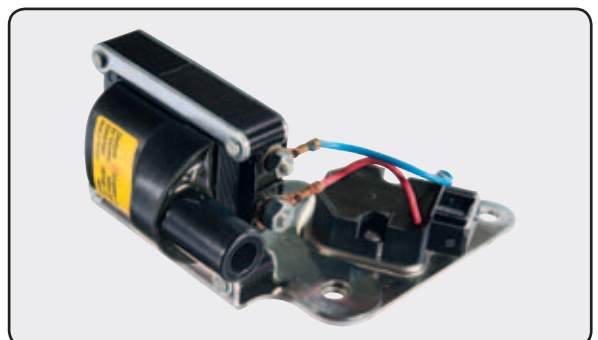


CL610
Mercedes

Coil & module
Катушка и модуль зажигания
Zapalovací cívka a modul zapalování



CL019
Seat, VW

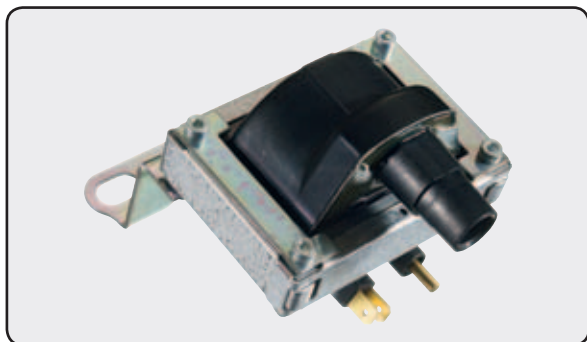


CL119
Volvo

Single outlet coils

Одновыводные катушки

Jednovývodové cívky



CL228
Opel



CL500
Honda, Rover

Multi-outlet coils

Двух-, Четырехвыводные катушки

Vícevývodové cívky



CL102
Renault



CL615
BMW

Cylindric coils

Цилиндрические катушки

Válcové cívky



CL012
Skoda

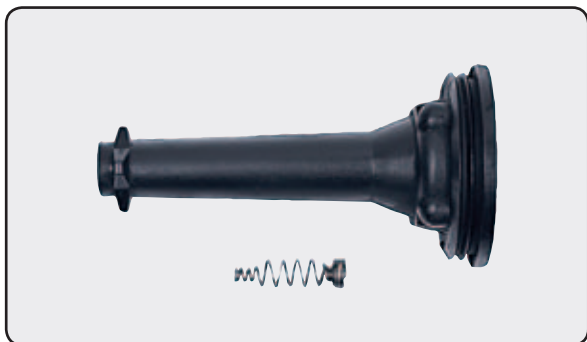
Catalogue number of coil on plug boot / Номер наконечника катушки зажигания / Objednací číslo koncovky zapalovací cívky

C P 0 0 1

Coil on plug boots for pencil coils

Наконечники для индивидуальных катушек зажигания

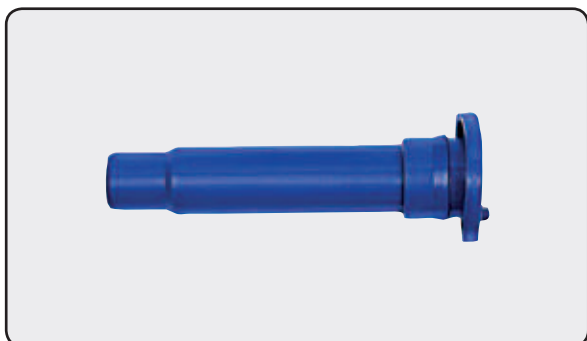
Koncovky přímých (tužkových) cívek



CP035
Ford, Volvo



(CL410)



CP010
Kia



(CL505)

Coil on plug boots for rail coils

Наконечники для блоков индивидуальных катушек зажигания

Koncovky zapalovacích lišt



CP069
Citroen, Peugeot



(CL111)

ACURA	7	LEXUS	66
ALFA ROMEO	7	MAZDA	67
AUDI	9	MERCEDES	70
BMW	17	MG	82
CADILLAC	24	MINI	82
CHEVROLET	24	MITSUBISHI	83
CHRYSLER	25	NISSAN	86
CITROEN	26	OPEL (VAUXHALL)	90
DACIA	33	PEUGEOT	101
DAEWOO	34	PORSCHE	107
DAIHATSU	35	PROTON	108
FIAT	36	RENAULT	108
FORD	42	ROVER	118
FSO	51	SAAB	120
GAZ	51	SEAT	122
GEELY	51	SKODA	126
HONDA	51	SMART	130
HYUNDAI	54	SSANG YONG	130
INFINITI	58	SUBARU	130
JAGUAR	59	SUZUKI	132
JEEP	59	TAGAZ	134
KIA	60	TOYOTA	134
LADA (VAZ)	63	VOLVO	139
LANCIA	64	VW	144
LANDROVER	66	ZAZ	156

Designations and abbreviations used / Используемые термины и сокращения / Použité výrazy a zkratky

MERCEDES						ignition coils				
model	year	kW	cm ³	cyl	engine	coil	pcs	boot	pcs	info
MERCEDES										
C-Class Coupe (C204)										
C 180 1.8	06.11 -	115	1796	4	M 271.820	CL622	4	CP039	4	pencil
C 250 1.8	06.11 -	150	1796	4	M 271.860	CL622	4	CP039	4	pencil
C 350 3.5	06.11 -	225	3498	6	M 276.957	CL629	6			pencil

- model** - car make and model specification (body design), engine capacity in l
 марка и модель автомобиля (тип кузова), объём двигателя в литрах
 značka a model automobilu (typ karoserie), objem motoru v l
- year** - year of production / год производства / rok výroby
- kW** - engine power (kW) / мощность двигателя (kW) / výkon motoru (kW)
- cm³** - engine capacity (cm³) / объём двигателя (cm³) / objem motoru (cm³)
- cyl** - number of engine cylinders / к-во цилиндров двигателя / počet válců motoru
- engine** - type of engine / тип двигателя / typ motoru
- coil - pcs** - ignition coil and quantity for model / катушка зажигания и к-во для модели / zapalovací cívka a její počet pro daný model
- boot - pcs** - coil on plug boot and quantity for model / наконечник катушки зажигания и к-во для модели / koncovka zapalovací cívky a její počet pro daný model
- cat** - catalysator
- carb** - carburettor
- T.S.** - Twin Spark
- Kompr.** - Kompressor
- SPI** - single point injection/моновпрыск/jednobodový vstřík
- MPI** - multipoint injection/распределенный впрыск/vícebodový vstřík

info

- a) additional information / дополнительная информация / doplňková informace:
- **Mot. No.:** engine No. / двигатель № / číslo motoru
 - **engine code:** тип двигателя / typ motoru
 - **with distributor:** система с распределителем зажигания / zapalování s rozdělovačem
 - **without distributor:** система без распределителя зажигания / v systému zapalování se rozdělovač nepoužívá

- b) coils description / описание катушек / popis cívek:
- **coil design:** various design / различные варианты катушки / odlišné provedení cívek
 - **socket design:** прямоугольная, овальная розетка / odlišný tvar zásuvek
 - **coil socket with 2 (3) pins:** разъем катушки с 2 (3) контактами / zásuvka cívky s 2 (3) kontakty
 - **flat contact:** плоские контакты / ploché konektory
 - **coil with (without) COP boot:** катушка с/без наконечника / cívka s koncovkou (bez koncovky)
 - **coil built in distributor:** катушка интегрирована с распределителем / cívka je součástí rozdělovače
 - **pencil / rail coil:** индивидуальная катушка / блок индивидуальных катушек / přímé cívky / zapalovací lišta

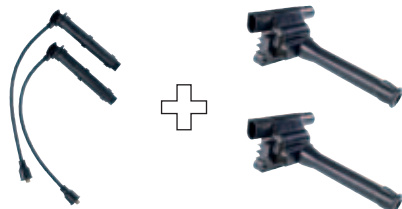
- **twin coil:**
- двухвыводные катушки
- cívka s dvěma výstupy



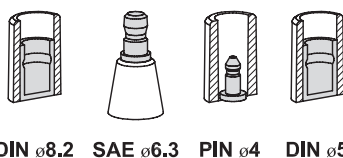
- **coil with (without) ignition cables:**
- катушка в сборе с проводами/без проводов зажигания
- cívka se zapalovacími kabely (bez kabelů)



- **semidirect:**
- combined ignition system
- комбинированная система зажигания
- kombinovaný zapalovací systém



- **DIN (Ø8,2), SAE, PIN, DIN Ø5 mm:**
- type of connection: ignition lead set - coil (distributor)
- способ присоединения: комплект проводов – катушка (распределитель)
- způsob připojení: sada kabelů – cívka (rozdělovač)



model	year	kW	cm ³	cyl	engine	coil	pcs	boot	pcs	info
ACURA										
Integra CC										
1.6	01.85 - 12.90	74	1590	4	D16A1	CL500	1			
1.6i	01.85 - 12.90	88	1590	4	D16A8	CL500	1			
Integra Coupe										
1.6	01.85 - 12.90	74	1590	4	D16A3	CL500	1			
1.6i	01.85 - 12.90	88	1590	4	D16A8	CL500	1			
Integra Sedan										
1.6	01.85 - 12.90	74	1590	4	D16A3	CL500	1			
1.6i	01.85 - 12.90	88	1590	4	D16A8	CL500	1			
ALFA ROMEO										
33 (907A)										
1.4 i.e.	06.91 - 09.94	65	1351	4	AR 30753	CL300	2			twin coil
1.4 i.e.	06.91 - 09.94	66	1351	4	AR 30753	CL300	2			twin coil
33 Sportwagon (907B)										
1.4 i.e.	06.91 - 09.94	65	1351	4	AR 30753	CL300	2			twin coil
1.4 i.e.	06.91 - 09.94	66	1351	4	AR 30753	CL300	2			twin coil
145 (930)										
1.4 i.e.	07.94 - 12.96	66	1351	4	AR 33501	CL300	2			twin coil
1.4 i.e. 16VTS.	12.96 - 01.01	76	1370	4	AR 33503	CL305	2	CP036	2	semidirect / pencil / 1 st coil
						CL306	2	CP036	2	semidirect / pencil / 2 nd coil
1.6 i.e.	10.94 - 12.96	76	1596	4	AR 33201	CL319	1			
1.6 i.e. 16VTS.	12.96 - 01.01	88	1598	4	AR 67601	CL305	2	CP036	2	semidirect / pencil / 1 st coil
						CL306	2	CP036	2	semidirect / pencil / 2 nd coil
1.7 i.e. 16V	10.94 - 12.96	95	1712	4	AR 33401	CL319	1			
1.8 i.e. 16V	03.98 - 01.01	106	1747	4	AR 32201	CL305	2	CP036	2	semidirect / pencil
1.8 i.e. 16VTS.	12.96 - 12.98	103	1747	4	AR 67106	CL306	2	CP036	2	semidirect / pencil
2.0 16V Quadrifoglio	03.98 - 01.01	114	1970	4	AR 32301	CL305	2	CP036	2	semidirect / pencil
2.0 16VTS.	10.95 - 01.01	110	1970	4	AR 67204	CL306	2	CP036	2	semidirect / pencil
146 (930)										
1.4 i.e.	12.94 - 12.96	66	1351	4	AR 33501	CL300	2			twin coil
1.4 i.e. 16VTS.	11.96 - 01.01	76	1370	4	AR 33503	CL305	2	CP036	2	semidirect / pencil / 1 st coil
						CL306	2	CP036	2	semidirect / pencil / 2 nd coil
1.6 i.e.	12.94 - 12.96	76	1596	4	AR 33201	CL319	1			
1.6 i.e. 16VTS.	11.96 - 01.01	88	1598	4	AR 67601	CL305	2	CP036	2	semidirect / pencil / 1 st coil
						CL306	2	CP036	2	semidirect / pencil / 2 nd coil
1.7 i.e. 16V	12.94 - 12.96	95	1712	4	AR 33401	CL319	1			
1.8 i.e. 16VTS.	11.96 - 01.01	103	1747	4	AR 67106	CL306	2	CP036	2	semidirect / pencil
1.8 i.e. 16VTS.	03.98 - 01.01	106	1747	4	AR 32201	CL305	2	CP036	2	semidirect / pencil
2.0 16V Quadrifoglio	03.98 - 01.01	114	1970	4	AR 32301	CL305	2	CP036	2	semidirect / pencil
2.0 16VTS.	10.95 - 01.01	110	1970	4	AR 67204	CL306	2	CP036	2	semidirect / pencil
147 (937)										
1.6 16VTS.	01.01 - 03.10	88	1598	4	AR 32104	CL307	2	CP036	2	semidirect / pencil
1.6 16VTS. Eco	01.01 - 03.10	77	1598	4	AR 37203	CL307	2	CP036	2	semidirect / pencil
2.0 16VTS.	01.01 - 03.10	110	1970	4	AR 32310	CL307	2	CP036	2	semidirect / pencil
3.2 GTA	02.03 - 03.10	184	3179	6	932 A.000	CL320	6			pencil
155 (167)										
1.6 16VTS.	05.96 - 12.97	88	1598	4	AR 67601	CL306	2	CP036	2	semidirect / pencil
1.7 T.S.	04.93 - 04.96	83	1748	4	AR 67103	CL302	1			
1.7 T.S.	04.93 - 04.96	85	1748	4	AR 67105	CL302	1			
1.7 T.S. 16V	05.96 - 12.97	103	1747	4	AR 67106	CL302	1			coil 4xPIN
						CL306	2	CP036	2	semidirect / pencil
1.8 T.S.	02.92 - 12.97	77	1756	4	AR 67402	CL302	1			
1.8 T.S.	02.92 - 06.93	95	1773	4	AR 67101	CL302	1			
1.8 T.S. Sport	01.92 - 12.96	93	1773	4	AR 67101/AR 67102	CL302	1			
2.0 16V Turbo Q4	01.92 - 12.97	137	1995	4	AR 67203	CL300	2			twin coil
2.0 16V Turbo Q4	01.92 - 12.97	140	1995	4	AR 67203	CL300	2			twin coil
2.0 T.S.	02.92 - 02.95	104	1995	4	AR 67202	CL302	1			
2.0 T.S.	02.92 - 04.93	106	1995	4	AR 67201	CL302	1			
2.0 T.S. 16V	03.95 - 12.97	110	1970	4	AR 67299/AR 67204	CL306	2	CP036	2	semidirect / pencil
156 (932)										
1.6 16VTS.	09.97 - 09.05	88	1598	4	AR 32102/AR 67601	CL306	2	CP036	2	semidirect / pencil / engine code
					AR 32103/AR 32104	CL307	2	CP036	2	semidirect / pencil / engine code
1.8 16VTS.	09.97 - 10.00	106	1747	4	AR 32201	CL305	2	CP036	2	semidirect / pencil
1.8 16VTS.	10.00 - 09.05	103	1747	4	AR 32205	CL307	2	CP036	2	semidirect / pencil
2.0 16VTS.	09.97 - 10.00	114	1970	4	AR 32301	CL305	2	CP036	2	semidirect / pencil
2.0 16VTS.	10.00 - 03.02	110	1970	4	AR 32310	CL307	2	CP036	2	semidirect / pencil
2.0 JTS	03.02 - 09.05	122	1970	4	937 A1.000	CL321	4	CP070	4	pencil
2.5 V6 24V	09.97 - 12.01	140	2492	6	AR 32401/AR 32402	CL320	6			pencil
2.5 V6 24V	10.00 - 09.05	141	2492	6	AR 32405	CL320	6			pencil
3.2 GTA	03.02 - 09.05	184	3179	6	932 A.000	CL320	6			pencil

model	year	kW	cm ³	cyl	engine	coil	pcs	boot	pcs	info
ALFA ROMEO										
156 Sportwagon (932)										
1.6 16V.T.S.	05.00 - 05.06	88	1598	4	AR 32103/AR 32104	CL306	2	CP036	2	semidirect / pencil / 1 st coil
						CL307	2	CP036	2	semidirect / pencil / 2 nd coil
1.8 16V.T.S.	05.00 - 10.00	106	1747	4	AR 32201	CL307	2	CP036	2	semidirect / pencil
1.8 16V.T.S.	10.00 - 05.06	103	1747	4	AR 32205	CL307	2	CP036	2	semidirect / pencil
2.0 16V.T.S.	05.00 - 06.02	114	1970	4	AR 32301	CL307	2	CP036	2	semidirect / pencil
2.0 16V.T.S.	10.00 - 03.02	110	1970	4	AR 32310	CL307	2	CP036	2	semidirect / pencil
2.0 JTS	03.02 - 05.06	122	1970	4	937 A1.000	CL321	4	CP070	4	pencil
2.5 V6 24V	05.00 - 08.03	140	2492	6	AR 32401	CL320	6			pencil
2.5 V6 24V	10.00 - 05.06	141	2492	6	AR 32405	CL320	6			pencil
3.2 GTA	03.02 - 05.06	184	3179	6	932 A.000	CL320	6			pencil
159 (939)										
1.8 MPI	03.07 - 11.11	103	1796	4	939 A4.000	CL221	1	CP062	4	rail coil
1.8 TBi	05.09 - 11.11	147	1742	4	939 B1.000	CL221	1	CP062	4	rail coil
1.9 JTS	09.05 - 11.11	118	1859	4	939 A6.000	CL321	4	CP070	4	pencil
2.2 JTS	09.05 - 11.11	136	2198	4	939 A5.000	CL226	1			rail coil
159 Sportwagon (939)										
1.8 MPI	03.07 - 11.11	103	1796	4	939 A4.000	CL221	1	CP062	4	rail coil
1.8 TBi	05.09 - 11.11	147	1742	4	939 B1.000	CL221	1	CP062	4	rail coil
1.9 JTS	03.06 - 11.11	118	1859	4	939 A6.000	CL321	4	CP070	4	pencil
2.2 JTS	03.06 - 11.11	136	2198	4	939 A5.000	CL226	1			rail coil
164 (164)										
2.0 T.S.	09.92 - 09.98	106	1995	4	AR 64103	CL302	1			
3.0	04.93 - 02.95	168	2959	6	AR 64304	CL320	6			pencil
3.0 24V	09.92 - 09.98	155	2959	6	AR 66301/AR 66302/AR 64306	CL320	6			pencil
3.0 24V Q4	02.94 - 09.98	170	2959	6	AR 64308/AR 64307	CL320	6			pencil
3.0 24V QV	09.92 - 09.98	171	2959	6	AR 64304	CL320	6			pencil
3.0 24V QV Allrad	11.92 - 10.97	171	2959	6	AR 64307/AR 64304	CL320	6			pencil
166 (936)										
2.0 T.S.	09.98 - 10.00	114	1970	4	AR 34103	CL305	2	CP036	2	semidirect / pencil
2.0 T.S.	10.00 - 06.07	110	1970	4	AR 36301	CL307	2	CP036	2	semidirect / pencil
3.0 V6 24V	09.98 - 10.00	140	2492	6	AR 34201	CL320	6			semidirect / pencil
3.0 V6 24V	09.98 - 10.00	166	2959	6	AR 34301/AR 34302	CL320	6			pencil
3.0 V6 24V	10.00 - 06.07	138	2492	6	AR 36201	CL320	6			pencil
3.0 V6 24V	10.00 - 06.07	162	2959	6	AR 36101	CL320	6			pencil
3.2 V6 24V	10.03 - 06.07	176	3179	6	936 A.000	CL320	6			pencil
Brera										
2.2 JTS	01.06 -	136	2198	4	939 A5.000	CL226	1			rail coil
Giulietta (940)										
1.4 TB	04.10 -	88	1368	4	940 B7.000/198 A4.000	CL323	4			pencil
1.4 TB	04.10 -	120	1368	4	955 A8.000	CL326	4			pencil
1.4 TB	04.10 -	125	1368	4	940 A2.000	CL326	4			pencil
1.4 TB	09.14 -	110	1368	4	940 A2.000	CL323	4			pencil
GT (937)										
1.8 TS	11.03 - 09.10	103	1747	4	AR 32205	CL307	2	CP036	2	semidirect / pencil
2.0 JTS	12.06 - 09.10	119	1970	4	932 A2.000	CL321	4	CP070	4	pencil
2.0 JTS	11.03 - 09.10	121	1970	4	932 A2.000/937 A1.000	CL321	4	CP070	4	pencil
3.2 GTA	11.03 - 09.10	176	3179	6	936 A.000	CL320	6			pencil
GTV (916C)										
1.8 16V	05.98 - 10.05	106	1747	4	AR 32201	CL305	2	CP036	2	semidirect / pencil
2.0 JTS	04.03 - 10.05	121	1970	4	937 A1.000	CL321	4	CP070	4	pencil
2.0 T.S. 16V	06.95 - 10.05	110	1970	4	AR 16201	CL305	2	CP036	2	semidirect / pencil / engine code
				4	AR 32310	CL307	2	CP036	2	semidirect / pencil / engine code
2.0 T.S. 16V	05.98 - 08.00	114	1970	4	AR 32301	CL305	2	CP036	2	semidirect / pencil
3.0 V6 24V	10.96 - 10.00	162	2959	6	AR 16102	CL320	6			pencil
3.0 V6 24V	10.00 - 10.05	160	2959	6	AR 16105	CL320	6			pencil
3.2 V6 24V	04.03 - 10.05	176	3179	6	936 A6.000	CL320	6			pencil
Mito (955)										
0.9 TwinAir	07.11 -	63	875	2	312 A2.000	CL325	2			pencil
1.4	05.11 -	51	1368	4	955 A9.000	CL309	1			
1.4	03.11 -	57	1368	4	955 A1.000	CL310	4	CP072	4	pencil
1.4	09.08 -	58	1368	4	955 A1.000	CL310	4	CP072	4	pencil
1.4	09.08 -	70	1368	4	199 A6.000	CL310	4	CP072	4	pencil
1.4 BiFuel	07.11 -	88	1368	4	198 A4.000	CL323	4			pencil
1.4 MultiAir	08.10 -	77	1368	4	955 A6.000	CL324	4			pencil
1.4 TJet	09.08 -	88	1368	4	198 A4.000	CL323	4			pencil
1.4 TJet	09.08 -	110	1368	4	198 A1.000	CL326	4			pencil
1.4 TJet	09.08 -	114	1368	4	199 A8.000	CL323	4			pencil
1.4 Turbo MultiAir	10.09 -	99	1368	4	955 A2.000/955 A7.000	CL326	4			pencil
1.4 Turbo MultiAir	10.09 -	120	1368	4	955 A8.000	CL326	4			pencil
1.4 Turbo MultiAir	10.09 -	125	1368	4	940 A2.000	CL326	4			pencil

model	year	kW	cm ³	cyl	engine	coil	pcs	boot	pcs	info
ALFA ROMEO										
Spider (916S)										
1.8 16V	05.98 - 04.05	106	1747	4	AR 32201	CL305	2	CP036	2	semidirect / pencil
2.0 JTS	04.03 - 04.05	121	1970	4	937 A1.000	CL321	4	CP070	4	pencil
2.0 T.S. 16V	06.95 - 04.05	110	1970	4	AR 16201	CL305	2	CP036	2	semidirect / pencil / engine code
					AR 16201	CL306	2	CP036	2	semidirect / pencil / engine code
					AR 32310	CL307	2	CP036	2	semidirect / pencil / engine code
2.0 T.S. 16V	05.98 - 08.00	114	1970	4	AR 32301	CL305	2	CP036	2	semidirect / pencil
3.0 V6	09.94 - 08.00	160	2959	6	AR 16105	CL320	6			pencil
3.2 V6	04.03 - 04.05	176	3179	6	936 A6.000	CL320	6			pencil
Spider (939)										
2.2 JTS	09.06 -	136	2198	4	939 A5.000	CL226	1			rail coil
AUDI										
80 (8C, B4)										
1.6	09.91 - 12.94	52	1595	4	ABM	CL001	1			
2.0	09.91 - 12.94	66	1984	4	ABT	CL001	1			
2.0 E	09.91 - 12.94	85	1984	4	ABK	CL001	1			
2.0 E quattro	09.91 - 12.94	85	1984	4	ABK	CL001	1			
2.6	07.92 - 12.94	110	2598	6	ABC	CL006	1			
2.6 quattro	06.92 - 12.94	110	2598	6	ABC	CL006	1			
2.8	09.91 - 12.94	128	2771	6	AAH	CL006	1			
2.8 quattro	09.91 - 12.94	128	2771	6	AAH	CL006	1			
S2 quattro	02.93 - 12.94	169	2226	5	ABY	CL033	5	CP002	5	pencil
80 Avant (8C, B4)										
2.0	07.92 - 01.96	66	1984	4	ABT	CL001	1			
2.0 E	07.92 - 01.96	85	1984	4	ABK	CL001	1			connector with 3 pins
						CL019	1			connector with 6 pins
2.6	07.92 - 01.96	110	2598	6	ABC	CL006	1			
2.6 quattro	07.92 - 07.95	110	2598	6	ABC	CL006	1			
2.8	09.91 - 01.96	128	2771	6	AAH	CL006	1			
2.8 quattro	08.92 - 07.95	128	2771	6	AAH	CL006	1			
RS2 quattro	03.94 - 05.95	232	2226	5	ADU	CL033	5	CP002	5	pencil
S2 quattro	02.93 - 07.95	169	2226	5	ABY	CL033	5	CP002	5	pencil
100 (4A, C4)										
2.0	12.90 - 06.94	74	1984	4	AAE	CL001	1			
2.6	07.93 - 06.94	102	2598	6	ACZ	CL006	1			
2.6	03.92 - 06.94	110	2598	6	ABC	CL006	1			
2.6 quattro	04.92 - 06.94	110	2598	6	ABC	CL006	1			
2.6 E quattro	08.93 - 07.94	102	2598	6	ACZ	CL006	1			
2.8 E	12.90 - 06.94	128	2771	6	AAH	CL006	1			
2.8 E quattro	12.90 - 06.94	128	2771	6	AAH	CL006	1			
S4 Turbo quattro	08.91 - 06.94	169	2226	5	AAN	CL033	5	CP002	5	pencil
100 Avant (4A, C4)										
2.0 E	09.91 - 06.94	74	1984	4	AAE	CL001	1			
2.6	07.93 - 06.94	102	2598	6	ACZ	CL006	1			
2.6	03.92 - 06.94	110	2598	6	ABC	CL006	1			
2.6 quattro	07.92 - 06.94	110	2598	6	ABC	CL006	1			
2.6 E quattro	08.93 - 07.94	102	2598	6	ACZ	CL006	1			
2.8 E	09.91 - 06.94	128	2771	6	AAH	CL006	1			
2.8 E quattro	09.91 - 06.94	128	2771	6	AAH	CL006	1			
S4 Turbo quattro	09.91 - 06.94	169	2226	5	AAN	CL033	5	CP002	5	pencil
A1 (8X1, 8XF)										
1.0 TFSI	03.15 -	70	999	3	CHZB	CL031	3			pencil
1.2 TFSI	05.10 -	63	1197	4	CBZA	CL002	1			
1.4 TFSI	05.10 -	90	1390	4	CNVA/CAXA	CL003	4			pencil
1.4 TFSI	11.14 -	92	1395	4	CZCA	CL031	4			pencil
1.4 TFSI	04.12 -	103	1395	4	CPTA	CL031	4			pencil
1.4 TFSI	11.14 -	110	1395	4	CZEA	CL031	4			pencil
1.4 TFSI	01.11 -	136	1390	4	CTHG/CTJA/CAVG	CL003	4			pencil
1.8 TFSI	02.15 -	141	1798	4	DAJB	CL032	4			pencil
2.0 TFSI quattro	03.12 -	188	1984	4	CDLH	CL011	4			pencil
A1 Sportback (8XA, 8XK)										
1.0 TFSI	03.15 -	70	999	3	CHZB	CL031	3			pencil
1.2 TFSI	01.12 -	63	1197	4	CBZA	CL002	1			
1.4 TFSI	11.11 -	90	1390	4	CNVA/CAXA	CL003	4			pencil
1.4 TFSI	11.14 -	92	1395	4	CZCA/CZDB	CL031	4			pencil
1.4 TFSI	04.12 -	103	1395	4	CPTA	CL031	4			pencil
1.4 TFSI	11.14 -	110	1395	4	CZEA	CL031	4			pencil
1.8 TFSI	02.15 -	141	1798	4	DAJB	CL032	4			pencil
A2 (8Z0)										
1.4	02.00 - 08.05	55	1390	4	AUA	CL002	1			coil 4xPIN / engine code
					BBY	CL003	4			pencil / engine code
1.6 FSI	05.02 - 08.05	81	1598	4	BAD	CL003	4			pencil

model	year	kW	cm ³	cyl	engine	coil	pcs	boot	pcs	info
AUDI										
A3 (8L1)										
1.6	09.96 - 05.03	74	1595	4	AKL/APF/AEH	CL002	1			
1.6	08.00 - 05.03	75	1595	4	AVU/BFQ	CL002	1			
1.8	09.96 - 05.03	92	1781	4	AGN/APG	CL002	1			
1.8T	12.96 - 05.03	110	1781	4	ARZ/AQA/AGU/AUM	CL014	4			pencil
1.8T	12.98 - 05.03	132	1781	4	AJQ/APP	CL005	4			pencil / engine code
				4	ARY/AUQ	CL014	4			pencil / engine code
1.8T quattro	12.96 - 05.03	110	1781	4	AGU	CL004	4	CP001	4	pencil / engine code
	12.96 - 07.98	110		4	ARX	CL005	4			year / pencil / engine code
	08.98 - 04.01	110		4	AQA	CL014	4			year / pencil / engine code
1.8T quattro	10.98 - 05.03	132	1781	4	AJQ/ARY	CL014	4			pencil
S3 quattro 1.8	03.99 - 04.02	154	1781	4	AMK/APY	CL005	4			pencil
S3 quattro 1.8	10.01 - 05.03	165	1781	4	BAM	CL005	4			pencil
A3 (8P1)										
1.2 TSI	04.10 - 08.12	77	1197	4	CBZB	CL002	1			
1.4 TFSI	09.07 - 08.12	92	1390	4	CMSA/CAXC	CL003	4			pencil
1.6	05.03 - 08.12	75	1595	4	BGU	CL002	1			
1.6 FSI	08.03 - 09.07	85	1598	4	BLF/BLP/BAG	CL003	4			pencil
1.8 TFSI	11.06 - 08.12	118	1798	4	BZB/CDAAB/BYT	CL011	4			pencil
1.8 TFSI quattro	07.08 - 08.12	118	1798	4	CDAAB	CL011	4			pencil
2.0 FSI	05.03 - 06.08	110	1984	4	BLX/BLY/BMB/AXW/BVZ/BVY	CL011	4			pencil
2.0 TFSI	09.04 - 08.12	147	1984	4	BWA/AXX/CAWB	CL011	4			pencil
2.0 TFSI quattro	09.04 - 08.12	147	1984	4	BWA/AXX	CL011	4			pencil
3.2 V6 quattro	07.03 - 05.09	184	3189	6	BDB/BMJ/BUB	CL016	6			pencil
S3 quattro	11.06 - 08.12	195	1984	4	BHZ/CDLA	CL011	4			pencil
A3 (8V1)										
1.2 TFSI	02.13 -	77	1197	4	CJZA	CL031	4			pencil
1.2 TFSI	05.14 -	81	1197	4	CYVB	CL031	4			pencil
1.4 TFSI	04.12 -	90	1395	4	CMBA/CXSA	CL031	4			pencil
1.4 TFSI	05.14 -	92	1395	4	CXSB/CZCA	CL031	4			pencil
1.4 TFSI	03.13 -	103	1395	4	CPTA	CL031	4			pencil
1.4 TFSI	05.14 -	110	1395	4	CZEA	CL031	4			pencil
1.8 TFSI	04.12 -	132	1798	4	CJSA	CL032	4			pencil
1.8 TFSI quattro	08.12 -	132	1798	4	CJSB	CL032	4			pencil
S3 quattro 2.0	02.13 -	206	1984	4	CJXB	CL032	4			pencil
S3 quattro 2.0	11.12 -	221	1984	4	CJXC	CL032	4			pencil
S3 quattro 2.0	05.14 -	210	1984	4	CJXF	CL032	4			pencil
A3 Cabriolet (8P7)										
1.2 TFSI	03.10 - 05.13	77	1197	4	CBZB	CL002	1			
1.4 TFSI	02.11 - 05.13	92	1390	4	CAXC	CL003	4			pencil
1.6	09.08 - 05.10	75	1595	4	BSE	CL002	1			
1.8 TFSI	04.08 - 05.13	118	1798	4	BZB/CDAAB	CL011	4			pencil
2.0 TFSI	04.08 - 05.13	147	1984	4	CCZA/CAWB	CL011	4			pencil
A3 Cabriolet (8V7)										
1.4 TFSI	10.13 -	103	1395	4	CPTA	CL031	4			pencil
1.4 TFSI	05.14 -	110	1395	4	CZEA	CL031	4			pencil
1.8 TFSI	05.14 -	125	1798	4	CNSB	CL032	4			pencil
1.8 TFSI quattro	03.14 -	132	1798	4	CJSB	CL032	4			pencil
S3 quattro 2.0	03.14 -	210	1984	4	CJXF	CL032	4			pencil
A3 Sedan (8VS)										
1.2 TFSI	05.14 -	81	1197	4	CYVB	CL031	4			pencil
1.4 TFSI	05.13 -	103	1395	4	CPTA	CL031	4			pencil
1.4 TFSI	05.14 -	110	1395	4	CZEA	CL031	4			pencil
1.8 TFSI	05.13 -	132	1798	4	CJSB/CJSA	CL032	4			pencil
1.8 TFSI quattro	11.13 -	132	1798	4	CJSB	CL032	4			pencil
S3 quattro 2.0	05.14 -	210	1984	4	CJXF	CL032	4			pencil
A3 Sportback (8PA)										
1.2 TSI	04.10 - 03.13	77	1197	4	CBZB	CL002	1			
1.4 TFSI	09.07 - 03.13	92	1390	4	CMSA/CAXC	CL003	4			pencil
1.6	09.04 - 03.13	75	1595	4	BGU	CL002	1			
1.6 FSI	09.04 - 09.07	85	1598	4	BLF/BLP	CL003	4			pencil
1.8 TFSI	11.06 - 03.13	118	1798	4	BZB/CDAAB/BYT	CL011	4			pencil
1.8 TFSI quattro	07.08 - 03.13	118	1798	4	CDAAB	CL011	4			pencil
2.0 FSI	09.04 - 06.08	110	1984	4	BLX/BLY/BMB/AXW/BVZ/BVY	CL011	4			pencil
2.0 TFSI	09.04 - 03.13	147	1984	4	BWA/AXX/CAWB	CL011	4			pencil
2.0 TFSI quattro	09.04 - 03.13	147	1984	4	BWA/AXX	CL011	4			pencil
3.2 V6 quattro	09.04 - 05.09	184	3189	6	BMJ/BUB	CL016	6			pencil
RS3 quattro	01.11 - 12.12	250	2480	5	CEPA	CL011	5			pencil
S3 quattro 2.0	06.08 - 03.13	195	1984	4	BHZ/CDLA	CL011	4			pencil
S3 quattro 2.0	07.08 - 03.13	188	1984	4	CDLC	CL011	4			pencil
A3 Sportback (8VA)										
1.2 TFSI	05.13 -	77	1197	4	CJZA	CL031	4			pencil



model	year	kW	cm ³	cyl	engine	coil	pcs	boot	pcs	info
-------	------	----	-----------------	-----	--------	------	-----	------	-----	------

AUDI

A3 Sportback (8VA)

1.2 TFSI	05.14 -	81	1197	4	CYVB	CL031	4			pencil
1.4 TFSI	09.12 -	90	1395	4	CMBA/CXSA	CL031	4			pencil
1.4 TFSI	05.14 -	92	1395	4	CXSB/CZCA	CL031	4			pencil
1.4 TFSI	03.13 -	103	1395	4	CPTA	CL031	4			pencil
1.4 TFSI	05.14 -	110	1395	4	CZEA	CL031	4			pencil
1.4 TFSI e-tron	05.14 -	110	1395	4	CUKB/CXUA	CL031	4			pencil
1.8 TFSI	09.12 -	132	1798	4	CJSB/CJSA	CL032	4			pencil
1.8 TFSI quattro	05.13 -	132	1798	4	CJSB	CL032	4			pencil
RS3 quattro	03.15 -	270	2480	5		CL011	5			pencil
S3 quattro 2.0	05.13 -	206	1984	4	CJXB	CL032	4			pencil
S3 quattro 2.0	05.14 -	210	1984	4	CJXF	CL032	4			pencil
S3 quattro 2.0	11.12 -	221	1984	4	CJXC	CL032	4			pencil

A4 (8D2, B5)

1.6	11.94 - 10.00	74	1595	4	AHL/ARM/ANA	CL002	1			
1.6	07.00 - 11.00	75	1595	4	ALZ	CL002	1			
1.8	01.95 - 11.00	92	1781	4	AVV/ADR/APT/ARG	CL028	1			semidirect / pencil / twin coil
1.8 quattro	01.95 - 11.00	92	1781	4	ADR/APT/ARG	CL028	1			semidirect / pencil / twin coil
1.8 T	01.95 - 11.00	110	1781	4	ARK/AEB/ANB/APU	CL004	4	CP001	4	pencil / engine code
				4	AWT	CL005	4			pencil / engine code
1.8 T	12.97 - 11.00	132	1781	4	AJL	CL004	4	CP001	4	pencil
1.8 T quattro	01.95 - 11.00	110	1781	4	ARK/AEB/ANB/APU	CL004	4	CP001	4	pencil / engine code
				4	AWT	CL005	4			pencil / engine code
1.8 T quattro	12.97 - 11.00	132	1781	4	AJL	CL004	4	CP001	4	pencil
2.4	03.97 - 11.00	121	2393	6	AML/ARJ/ALF/AGA/APS	CL006	1			
2.4	08.97 - 11.00	120	2393	6	AMM/APZ/AJG	CL006	1			
2.4 quattro	03.97 - 11.00	121	2393	6	AML/ARJ/ALF/AGA/APS	CL006	1			
2.4 quattro	08.97 - 11.00	120	2393	6	APZ	CL006	1			
2.6	01.95 - 07.98	110	2598	6	ABC	CL006	1			year
	01.95 - 11.00	110	2598	6	ABC	CL026	1			year
2.6 quattro	01.95 - 07.98	110	2598	6	ABC	CL006	1			year
	01.95 - 11.00	110	2598	6	ABC	CL026	1			year
2.8	09.95 - 07.97	128	2771	6	AAH	CL026	1			
2.8	10.96 - 11.00	142	2771	6	APR/ACK/ALG/AHA/AQD/AMX	CL006	1			
2.8 quattro	01.95 - 07.97	128	2771	6	AAH	CL026	1			
2.8 quattro	10.96 - 08.01	142	2771	6	APR/ACK/ALG/AHA/AQD/AMX	CL006	1			
S4 quattro 2.7	09.97 - 09.01	195	2671	6	AGB/AZB	CL004	6	CP001	6	pencil

A4 (8E2, B6)

1.6	11.00 - 12.04	75	1595	4	ALZ	CL002	1			
1.8 T	11.00 - 07.02	110	1781	4	AVJ	CL005	4			pencil
1.8 T	07.02 - 12.04	120	1781	4	BFB	CL005	4			pencil
1.8 T	11.02 - 12.04	140	1781	4	BEX	CL005	4			pencil
1.8 T quattro	11.00 - 07.02	110	1781	4	AVJ	CL005	4			pencil
1.8 T quattro	07.02 - 12.04	120	1781	4	BFB	CL005	4			pencil
1.8 T quattro	11.02 - 12.04	140	1781	4	BEX	CL005	4			pencil
2.0	11.00 - 12.04	96	1984	4	ALT	CL034	4			pencil
2.0 FSI	07.02 - 12.04	110	1984	4	AWA	CL015	4			pencil
2.4	09.01 - 12.04	125	2393	6	BDV	CL006	1			
2.4	09.01 - 12.04	120	2393	6	AMM	CL006	1			
3.0	11.00 - 12.04	162	2976	6	ASN/AVK	CL034	6			pencil
3.0	04.01 - 12.04	160	2976	6	BBJ	CL034	6			pencil
3.0 quattro	11.00 - 12.04	162	2976	6	ASN/AVK	CL034	6			pencil
3.0 quattro	04.01 - 12.04	160	2976	6	BBJ	CL034	6			pencil
S4 quattro	03.03 - 12.04	253	4163	8	BBK	CL029	8			pencil

A4 (8EC, B7)

1.6	11.04 - 06.08	75	1595	4	ALZ	CL002	1			
1.8 T	11.04 - 06.08	120	1781	4	BFB	CL005	4			pencil
1.8 T quattro	11.04 - 06.08	120	1781	4	BFB	CL005	4			pencil
2.0	11.04 - 06.08	96	1984	4	ALT	CL005	4			pencil
2.0 TFSI	11.04 - 06.08	147	1984	4	BGB/BWE	CL011	4			pencil
2.0 TFSI	06.05 - 06.08	162	1984	4	BUL	CL011	4			pencil
2.0 TFSI	10.06 - 06.08	125	1984	4	BPJ/BYK	CL011	4			pencil
2.0 TFSI quattro	11.04 - 06.08	147	1984	4	BGB/BWE	CL011	4			pencil
2.0 TFSI quattro	06.05 - 06.08	162	1984	4	BUL	CL011	4			pencil
3.0 quattro	11.04 - 07.06	160	2976	6	BBJ	CL034	6			pencil
3.2 FSI	01.05 - 06.08	188	3123	6	AUK	CL015	6			pencil
3.2 FSI quattro	01.05 - 06.08	188	3123	6	AUK/BKH	CL015	6			pencil
RS4 quattro 4.2	09.05 - 06.08	309	4163	8	BNS	CL011	8			pencil
S4 quattro 4.2	11.04 - 06.08	253	4163	8	BHF/BBK	CL029	8			pencil

A4 (8K2, B8)

1.8 TFSI	01.08 -	88	1798	4	CABA/CDHA	CL011	4			pencil
1.8 TFSI	11.07 -	118	1798	4	CDHB/CABB	CL011	4			pencil

model	year	kW	cm ³	cyl	engine	coil	pcs	boot	pcs	info
-------	------	----	-----------------	-----	--------	------	-----	------	-----	------

AUDI

A4 (8K2, B8)

1.8 TFSI	11.11 -	125	1798	4	CJEB	CL032	4			pencil
1.8 TFSI quattro	09.08 -	118	1798	4	CDHB	CL011	4			pencil
1.8 TFSI quattro	11.11 -	125	1798	4	CJEB	CL032	4			pencil
2.0 TFSI	06.08 -	132	1984	4	CDNB/CFKA/CAEA	CL011	4			pencil
2.0 TFSI	06.08 -	155	1984	4	CAEB/CDNC	CL011	4			pencil
2.0 TFSI flexible fuel	11.09 -	132	1984	4	CFKA	CL011	4			pencil
2.0 TFSI flex. fuel quattro	11.09 -	132	1984	4	CFKA	CL011	4			pencil
2.0 TFSI quattro	06.08 -	155	1984	4	CAEB/CPMA/CDNC	CL011	4			pencil

A4 Allroad (8KH, B8)

2.0 TFSI quattro	04.09 -	155	1984	4	CPMA/CDNC	CL011	4			pencil
2.0 TFSI quattro	05.13 -	162	1984	4	CPMB	CL011	4			pencil
2.0 TFSI quattro	05.13 -	165	1984	4	CNCD	CL032	4			pencil

A4 Avant (8D5, B5)

1.6	11.94 - 09.01	74	1595	4	AHL/ARM/ANA	CL002	1			
1.6	07.00 - 09.01	75	1595	4	ALZ	CL002	1			
1.8	02.96 - 09.01	92	1781	4	AVV/ADR/APT/ARG	CL028	1			semidirect / pencil / twin coil
1.8 quattro	01.96 - 09.01	92	1781	4	ADR/APT/ARG	CL028	1			semidirect / pencil / twin coil
1.8 T	03.96 - 09.01	110	1781	4	ARK/AEB/ANB/APU	CL004	4	CP001	4	pencil / engine code
				4	AWT	CL005	4			pencil / engine code
1.8 T	12.97 - 09.01	132	1781	4	AJL	CL004	4	CP001	4	pencil
1.8 T quattro	01.96 - 09.01	110	1781	4	ARK/AEB/ANB/APU	CL004	4	CP001	4	pencil / engine code
				4	AWT	CL005	4			pencil / engine code
1.8 T quattro	12.97 - 09.01	132	1781	4	AJL	CL004	4	CP001	4	pencil
2.4	03.97 - 09.01	121	2393	6	AML/ARJ/ALF/AGA/APS	CL006	1			
2.4	08.97 - 09.01	120	2393	6	AMM/APZ/AJG	CL006	1			
2.4 quattro	03.97 - 09.01	121	2393	6	AML/ARJ/ALF/AGA/APS	CL006	1			
2.4 quattro	08.97 - 09.01	120	2393	6	APZ	CL006	1			
2.6	02.96 - 07.98	110	2598	6	ABC	CL006	1			year
	02.96 - 09.01	110	2598	6	ABC	CL026	1			year
2.6 quattro	01.96 - 07.98	110	2598	6	ABC	CL006	1			year
	01.96 - 09.01	110	2598	6	ABC	CL026	1			year
2.8	03.96 - 09.96	128	2771	6	AAH	CL026	1			
2.8	10.96 - 09.01	142	2771	6	APR/ACK/ALG/AHA/AQD/AMX	CL006	1			
2.8 quattro	01.96 - 09.96	128	2771	6	AAH	CL026	1			
2.8 quattro	10.96 - 09.01	142	2771	6	APR/ACK/ALG/AHA/AQD/AMX	CL006	1			
RS4 quattro 2.7	05.00 - 09.01	280	2671	6	AZR/ASJ	CL004	6	CP001	6	pencil
S4 quattro 2.7	09.97 - 09.01	195	2671	6	AGB/AZB	CL004	6	CP001	6	pencil

A4 Avant (8E5, B6)

1.6	09.01 - 12.04	75	1595	4	ALZ	CL002	1			
1.8 T	09.01 - 07.02	110	1781	4	AVJ	CL005	4			pencil
1.8 T	07.02 - 12.04	120	1781	4	BFB	CL005	4			pencil
1.8 T	11.02 - 12.04	140	1781	4	BEX	CL005	4			pencil
1.8 T quattro	09.01 - 07.02	110	1781	4	AVJ	CL005	4			pencil
1.8 T quattro	07.02 - 12.04	120	1781	4	BFB	CL005	4			pencil
1.8 T quattro	11.02 - 12.04	140	1781	4	BEX	CL005	4			pencil
2.0	09.01 - 12.04	96	1984	4	ALT	CL034	4			pencil
2.0 FSI	07.02 - 12.04	110	1984	4	AWA	CL015	4			pencil
2.4	09.01 - 12.04	120	2393	6	AMM	CL006	1			
2.4	09.01 - 12.04	125	2393	6	BDV	CL006	1			
3.0	09.01 - 12.04	162	2976	6	ASN	CL034	6			pencil
3.0	04.01 - 12.04	160	2976	6	BBJ	CL034	6			pencil
3.0 quattro	09.01 - 12.04	162	2976	6	ASN/AVK	CL034	6			pencil
3.0 quattro	04.01 - 12.04	160	2976	6	BBJ	CL034	6			pencil
S4 quattro 4.2	03.03 - 12.04	253	4163	8	BBK	CL029	8			pencil

A4 Avant (8ED, B7)

1.6	11.04 - 06.08	75	1595	4	ALZ	CL002	1			
1.8 T	11.04 - 06.08	120	1781	4	BFB	CL005	4			pencil
1.8 T quattro	11.04 - 06.08	120	1781	4	BFB	CL005	4			pencil
2.0	11.04 - 06.08	96	1984	4	ALT	CL005	4			pencil
2.0 TFSI	10.06 - 06.08	125	1984	4	BPJ/BYK	CL011	4			pencil
2.0 TFSI	11.04 - 06.08	147	1984	4	BGB/BWE	CL011	4			pencil
2.0 TFSI	06.05 - 06.08	162	1984	4	BUL	CL011	4			pencil
2.0 TFSI quattro	11.04 - 06.08	147	1984	4	BWT/BGB/BWE	CL011	4			pencil
2.0 TFSI quattro	06.05 - 06.08	162	1984	4	BUL	CL011	4			pencil
3.0	11.04 - 05.06	160	2976	6	BBJ	CL034	6			pencil
3.0 quattro	11.04 - 07.06	160	2976	6	BBJ	CL034	6			pencil
3.2 FSI	01.05 - 06.08	188	3123	6	AUK	CL015	6			pencil
3.2 FSI quattro	01.05 - 06.08	188	3123	6	AUK	CL015	6			pencil
RS4 quattro 4.2.	09.05 - 06.08	309	4163	8	BNS	CL011	8			pencil
S4 quattro 4.2	11.04 - 06.08	253	4163	8	BBK	CL029	8			pencil

model	year	kW	cm ³	cyl	engine	coil	pcs	boot	pcs	info
AUDI										
A4 Avant (8K5, B8)										
1.8TFSI	04.08 -	88	1798	4	CDHA	CL011	4			pencil
1.8TFSI	11.07 -	118	1798	4	CDHB/CABB	CL011	4			pencil
1.8TFSI	11.11 -	125	1798	4	CJEB	CL032	4			pencil
1.8TFSI quattro	09.08 -	118	1798	4	CDHB	CL011	4			pencil
1.8TFSI quattro	11.11 -	125	1798	4	CJEB	CL032	4			pencil
2.0TFSI	06.08 -	132	1984	4	CDNB/CFKA/CAEA	CL011	4			pencil
2.0TFSI	06.08 -	155	1984	4	CAEB/CDNC	CL011	4			pencil
2.0TFSI	05.13 -	165	1984	4	CNCD	CL032	4			pencil
2.0TFSI flexible fuel	11.09 -	132	1984	4	CFKA	CL011	4			pencil
2.0TFSI flex. fuel quattro	11.09 -	132	1984	4	CFKA	CL011	4			pencil
2.0TFSI quattro	06.08 -	155	1984	4	CAEB/CDNC	CL011	4			pencil
2.0TFSI quattro	05.13 -	165	1984	4	CNCD	CL032	4			pencil
A4 Cabriolet (8H7, B6, 8HE, B7)										
1.8T	07.02 - 03.09	120	1781	4	BFB	CL005	4			pencil
1.8T quattro	05.03 - 03.09	120	1781	4	BFB	CL005	4			pencil
2.0	09.04 - 12.05	96	1984	4	ALT	CL034	4			pencil
2.0TFSI 16V	01.06 - 03.09	147	1984	4	BWE	CL011	4			pencil
2.4	04.02 - 12.05	120	2393	6	AMM	CL006	1			
2.4	04.02 - 12.05	125	2393	6	BDV	CL006	1			
3.0	04.02 - 12.05	162	2976	6	ASN	CL034	6			pencil
3.0 quattro	05.03 - 12.05	162	2976	6	ASN	CL034	6			pencil
RS4 quattro 4.2	06.06 - 03.09	309	4163	8	BNS	CL011	8			pencil
S4 quattro 4.2	03.04 - 03.09	253	4163	8	BBK	CL029	8			pencil
A5 (8T3)										
1.8TFSI	05.09 -	118	1798	4	CDHB	CL011	4			pencil
1.8TFSI	10.07 -	125	1798	4	CABD/CJEB	CL011	4			pencil
2.0TFSI	11.08 -	132	1984	4	CDNB	CL011	4			pencil
2.0TFSI	06.08 -	155	1984	4	CDNC	CL011	4			pencil
2.0TFSI	05.13 -	165	1984	4	CNCD	CL032	4			pencil
2.0TFSI quattro	06.08 -	155	1984	4	CAEB/CDNC	CL011	4			pencil
2.0TFSI quattro	05.13 -	165	1984	4	CNCD	CL032	4			pencil
2.0TFSI quattro	03.12 -	162	1984	4	CPMB/CAED	CL011	4			pencil
3.0TFSI quattro	12.11 -	200	2995	6	CMUA	CL015	6			pencil
RS 5 quattro 4.2	03.10 -	331	4163	8	CFSA	CL011	8			pencil
S5 quattro 3.0	10.11 -	245	2995	6	CGWC/CTDA/CTUB	CL015	6			pencil
A5 Cabriolet (8F7)										
1.8TFSI	09.09 -	118	1798	4	CDHB	CL011	4			pencil
1.8TFSI	10.11 -	125	1798	4	CABD/CJEB	CL032	4			pencil
2.0TFSI	03.09 -	132	1984	4	CDNB/CAEA	CL011	4			pencil
2.0TFSI	03.09 -	155	1984	4	CAEB/CDNC	CL011	4			pencil
2.0TFSI	05.13 -	162	1984	4	CAED	CL011	4			pencil
2.0TFSI quattro	03.09 -	155	1984	4	CAEB/CDNC	CL011	4			pencil
2.0TFSI quattro	03.12 -	162	1984	4	CPMB	CL011	4			pencil
3.0TFSI quattro	11.11 -	200	2995	6	CMUA	CL015	6			pencil
A5 Sportback (8TA)										
1.8TFSI	11.09 -	118	1798	4	CDHB	CL011	4			pencil
1.8TFSI	08.11 -	125	1798	4	CJEB	CL032	4			pencil
1.8TFSI	09.14 -	106	1798	4	CJED	CL032	4			pencil
2.0TFSI	09.09 -	132	1984	4	CDNB	CL011	4			pencil
2.0TFSI	09.09 -	155	1984	4	CDNC	CL011	4			pencil
2.0TFSI	05.13 -	165	1984	4	CNCD	CL032	4			pencil
2.0TFSI quattro	09.09 -	155	1984	4	CDNC	CL011	4			pencil
2.0TFSI quattro	05.13 -	165	1984	4	CNCD	CL032	4			pencil
3.0TFSI quattro	12.11 -	200	2995	6	CMUA	CL015	6			pencil
A6 (4A, C4)										
1.8	12.95 - 10.97	92	1781	4	ADR	CL028	1			semidirect / pencil / twin coil
1.8 quattro	12.95 - 10.97	92	1781	4	ADR	CL028	1			semidirect / pencil / twin coil
2.0	06.94 - 10.97	85	1984	4	ABK	CL001	1			
2.6	06.94 - 10.97	110	2598	6	ABC	CL006	1			
2.6 quattro	06.94 - 10.97	110	2598	6	ABC	CL006	1			
2.8	06.94 - 10.97	128	2771	6	AAH	CL026	1			
2.8	12.95 - 10.97	142	2771	6	ACK	CL006	1			
2.8 quattro	06.94 - 10.97	128	2771	6	AAH	CL026	1			
2.8 quattro	12.95 - 10.97	142	2771	6	ACK	CL006	1			
S6 Plus quattro 4.2	04.96 - 10.97	240	4172	8	AHK	CL004	8	CP001	8	pencil
S6 Turbo quattro 2.2	06.94 - 10.97	169	2226	5	AAN	CL033	5	CP002	5	pencil
A6 (4B2, C5)										
1.8	07.97 - 01.05	92	1781	4	ANQ/ARH/AJP/AQE	CL014	4			pencil
1.8T	01.97 - 01.05	110	1781	4	ARK/AEB/ANB/APU	CL004	4	CP001	4	pencil / engine code
				4	AWT	CL005	4			pencil / engine code
1.8T	12.97 - 01.05	132	1781	4	AJL	CL004	4	CP001	4	pencil

model	year	kW	cm ³	cyl	engine	coil	pcs	boot	pcs	info
AUDI										
A6 (4B2, C5)										
1.8 T quattro	02.97 - 01.05	110	1781	4	ARK/AEB/ANB/APU	CL004	4	CP001	4	pencil / engine code
				4	AWT	CL005	4			pencil / engine code
1.8 T quattro	12.97 - 01.05	132	1781	4	AJL	CL004	4	CP001	4	pencil
2.0	08.01 - 01.05	96	1984	4	ALT	CL015	4			pencil
2.4	07.98 - 01.05	100	2393	6	ARN/ASM/ALW	CL006	1			
2.4	02.97 - 01.05	115	2393	6	APC	CL006	1			
2.4	02.97 - 01.05	120	2393	6	AMM/APZ/AJG	CL006	1			
2.4	02.97 - 01.05	121	2393	6	AML/ARJ/ALF/AGA/APS	CL006	1			
2.4	08.01 - 01.05	125	2393	6	BDV	CL006	1			
2.4 quattro	08.98 - 07.99	115	2393	6	APC	CL006	1			
2.4 quattro	02.97 - 01.05	120	2393	6	APZ/AJG	CL006	1			
2.4 quattro	02.97 - 01.05	121	2393	6	AML/ARJ/ALF/AGA/APS	CL006	1			
2.4 quattro	08.01 - 01.05	125	2393	6	BDV	CL006	1			
2.7 T	02.99 - 01.05	169	2671	6	AJK	CL004	6	CP001	6	pencil
2.7 T quattro	12.97 - 01.05	169	2671	6	AJK/AZA	CL004	6	CP001	6	pencil
2.7 T quattro	08.01 - 01.05	184	2671	6	ARE	CL004	6	CP001	6	pencil / engine code
				6	BES	CL005	6			pencil / engine code
				6	BES/ARE	CL006	1			coil 6xPIN
2.8	10.97 - 05.00	132	2771	6	AGE	CL006	1			
2.8	07.99 - 01.05	140	2771	6	ATX	CL006	1			
2.8	02.97 - 01.05	142	2771	6	APR/ACK/ALG/AHA/AQD/AMX	CL006	1			
2.8 quattro	01.98 - 04.00	132	2771	6	AGE	CL006	1			
2.8 quattro	02.97 - 01.05	142	2771	6	APR/ACK/ALG/AHA/AQD/AMX	CL006	1			
3.0	08.01 - 01.05	162	2976	6	ASN	CL034	6			pencil
3.0 quattro	08.01 - 01.05	162	2976	6	ASN	CL034	6			pencil
3.7	03.99 - 01.05	191	3697	8	AQG	CL014	8			pencil
3.7 quattro	03.99 - 01.05	191	3697	8	AQG	CL014	8			pencil
4.2 quattro	11.98 - 01.05	220	4172	8	AWN/ARS/ASG	CL014	8			pencil
RS6 quattro 4.2	07.02 - 01.05	331	4172	8	BCY	CL014	8			pencil
S6 quattro 4.2	09.99 - 01.05	250	4172	8	AQJ/ANK	CL014	8			pencil
A6 (4F2, C6)										
2.0 TFSI	06.05 - 03.11	125	1984	4	BPJ	CL011	4			pencil
2.4	05.04 - 10.08	130	2393	6	BDW	CL015	6			pencil
2.4 quattro	01.05 - 10.08	130	2393	6	BDW	CL015	6			pencil
2.8 FSI	10.08 - 03.11	140	2773	6	CCDA	CL015	6			pencil
2.8 FSI	11.06 - 10.08	154	2773	6	BDX	CL015	6			pencil
2.8 FSI	10.08 - 03.11	162	2773	6	CCEA	CL015	6			pencil
2.8 FSI quattro	10.08 - 03.11	140	2773	6	CCDA	CL015	6			pencil
2.8 FSI quattro	06.07 - 10.08	154	2773	6	BDX	CL015	6			pencil
2.8 FSI quattro	10.08 - 03.11	162	2773	6	CCEA	CL015	6			pencil
3.0 quattro	05.04 - 05.06	160	2976	6	BBJ	CL034	6			pencil
3.0 TFSI quattro	10.08 - 03.11	213	2995	6	CAJA	CL015	6			pencil
3.2 FSI	05.04 - 05.09	188	3123	6	AUK/BKH	CL015	6			pencil
3.2 FSI quattro	05.04 - 10.08	188	3123	6	AUK/BKH	CL015	6			pencil
4.2 quattro	05.04 - 05.06	246	4163	8	BAT	CL029	8			pencil
4.2 FSI quattro	06.06 - 03.11	257	4163	8	BVJ	CL015	8			pencil
RS6 quattro 5.0	09.08 - 08.10	426	4991	10	BUH	CL015	10			pencil
S6 quattro 5.2	03.06 - 03.11	320	5204	10	BXA	CL015	10			pencil
A6 (4G2, C7, 4GC)										
1.8 TFSI	09.14 -	140	1798	4	CYGA	CL032	4			pencil
2.0 TFSI	05.11 -	132	1984	4	CDNB	CL011	4			pencil
2.0 TFSI	03.11 - 05.13	155	1984	4	CAEB	CL011	4			pencil
2.0 TFSI	09.14 -	185	1984	4	CYNB/CYPA	CL032	4			pencil
2.0 TFSI quattro	05.14 -	185	1984	4	CYNB/CYPA	CL032	4			pencil
2.8 FSI	03.11 -	150	2773	6	CHVA	CL015	6			pencil
2.8 FSI quattro	03.11 -	150	2773	6	CHVA	CL015	6			pencil
3.0 TFSI quattro	11.10 - 05.12	220	2995	6	CGWB	CL015	6			pencil
3.0 TFSI quattro	03.11 -	228	2995	6	CGWD/CGXB/CTUA	CL015	6			pencil
3.0 TFSI quattro	09.14 -	245	2995	6	CREC	CL015	6			pencil
A6 Allroad (4FH, C6)										
3.0 TFSI quattro	10.08 - 08.11	213	2995	6	CAJA	CL015	6			pencil
3.2 FSI quattro	05.06 - 10.08	188	3123	6	AUK	CL015	6			pencil
4.2 FSI quattro	05.06 - 12.10	257	4163	8	BVJ	CL015	8			pencil
A6 Allroad (4GH, 4GJ)										
3.0 TFSI quattro	01.12 -	228	2995	6	CGWD	CL015	6			pencil
3.0 TFSI quattro	09.14 -	245	2995	6	CREC	CL015	6			pencil
A6 Avant (4A, C4)										
1.8	12.95 - 12.97	92	1781	4	ADR	CL028	1			semidirect / pencil / twin coil
1.8 quattro	12.95 - 12.97	92	1781	4	ADR	CL028	1			semidirect / pencil / twin coil
2.6	06.94 - 12.97	110	2598	6	ABC	CL006	1			
2.6 quattro	06.94 - 12.97	110	2598	6	ABC	CL006	1			

model	year	kW	cm ³	cyl	engine	coil	pcs	boot	pcs	info
-------	------	----	-----------------	-----	--------	------	-----	------	-----	------

AUDI

A6 Avant (4A, C4)

2.8	06.94 - 12.97	128	2771	6	AAH	CL026	1			
2.8	12.95 - 12.97	142	2771	6	ACK	CL006	1			
2.8 quattro	06.94 - 12.97	128	2771	6	AAH	CL026	1			
2.8 quattro	12.95 - 12.97	142	2771	6	ACK	CL006	1			
S6 Plus quattro 4.2	04.96 - 12.97	240	4172	8	AHK	CL004	8	CP001	8	pencil
S6 Turbo quattro 2.2	06.94 - 12.97	169	2226	5	AAN	CL033	5	CP002	5	pencil

A6 Avant (4B5, C5)

1.8	12.97 - 01.05	92	1781	4	ARH/AJP/AQE	CL014	4			pencil
1.8T	12.97 - 01.05	110	1781	4	ARK/AEB/ANB/APU	CL004	4	CP001	4	pencil / engine code
				4	AWT	CL005	4			pencil / engine code
1.8T	04.99 - 01.05	132	1781	4	AJL	CL004	4	CP001	4	pencil
1.8T quattro	12.97 - 01.05	110	1781	4	ARK/AEB/ANB/APU	CL004	4	CP001	4	pencil / engine code
				4	AWT	CL005	4			pencil / engine code
1.8T quattro	12.97 - 01.05	132	1781	4	AJL	CL004	4	CP001	4	pencil
2.0	08.01 - 01.05	96	1984	4	ALT	CL015	4			pencil
2.4	12.97 - 01.05	121	2393	6	AML/ARJ/ALF/AGA/APS	CL006	1			
2.4	07.98 - 01.05	100	2393	6	ARN/ASM/ALW	CL006	1			
2.4	12.97 - 01.05	115	2393	6	APC	CL006	1			
2.4	08.01 - 01.05	125	2393	6	BDV	CL006	1			
2.4	12.97 - 01.05	120	2393	6	AMM/APZ/AJG	CL006	1			
2.4 quattro	12.97 - 01.05	121	2393	6	AML/ARJ/ALF/AGA/APS	CL006	1			
2.4 quattro	08.01 - 01.05	125	2393	6	BDV	CL006	1			
2.4 quattro	12.97 - 01.05	120	2393	6	APZ/AJG	CL006	1			
2.4 quattro	08.98 - 05.01	115	2393	6	APC	CL006	1			
2.7T	02.99 - 01.05	169	2671	6	AJK	CL004	6	CP001	6	pencil
2.7T quattro	12.97 - 01.05	169	2671	6	AJK/AZA	CL004	6	CP001	6	pencil
2.7T quattro	08.01 - 01.05	184	2671	6	ARE	CL004	6	CP001	6	pencil / engine code
				6	BES	CL005	6			pencil / engine code
2.8	12.97 - 05.00	132	2771	6	AGE	CL006	1			
2.8	07.99 - 01.05	140	2771	6	ATX	CL006	1			
2.8	12.97 - 01.05	142	2771	6	APR/ACK/ALG/AHA/AQD/AMX	CL006	1			
2.8 quattro	12.97 - 01.05	142	2771	6	APR/ACK/ALG/AHA/AQD/AMX	CL006	1			
3.0	08.01 - 01.05	162	2976	6	ASN	CL034	6			pencil
3.0 quattro	08.01 - 01.05	162	2976	6	ASN	CL034	6			pencil
3.7	03.99 - 01.05	191	3697	8	AQG	CL014	8			pencil
3.7 quattro	03.99 - 01.05	191	3697	8	AQG	CL014	8			pencil
4.2 quattro	11.98 - 01.05	220	4172	8	AWN/ARS/ASG	CL014	8			pencil
RS6 plus quattro 4.2	04.04 - 01.05	353	4172	8	BRV	CL014	8			pencil
RS6 quattro 4.2	07.02 - 01.05	331	4172	8	BCY	CL014	8			pencil
S6 quattro 4.2	09.99 - 01.05	250	4172	8	AQJ/ANK	CL014	8			pencil

A6 Avant (4F5, C6)

2.0 TFSI	06.05 - 08.11	125	1984	4	BPJ	CL011	4			pencil
2.4	03.05 - 10.08	130	2393	6	BDW	CL015	6			pencil
2.4 quattro	03.05 - 10.08	130	2393	6	BDW	CL015	6			pencil
2.8 FSI	10.08 - 08.11	140	2773	6	CCDA	CL015	6			pencil
2.8 FSI	11.06 - 10.08	154	2773	6	BDX	CL015	6			pencil
2.8 FSI	10.08 - 08.11	162	2773	6	CCEA	CL015	6			pencil
2.8 FSI quattro	10.08 - 08.11	140	2773	6	CCDA	CL015	6			pencil
2.8 FSI quattro	06.07 - 10.08	154	2773	6	BDX	CL015	6			pencil
2.8 FSI quattro	10.08 - 08.11	162	2773	6	CCEA	CL015	6			pencil
3.0	03.05 - 05.06	160	2976	6	BBJ	CL034	6			pencil
3.0 quattro	03.05 - 05.06	160	2976	6	BBJ	CL034	6			pencil
3.0 TFSI quattro	10.08 - 08.11	213	2995	6	CAJA	CL015	6			pencil
3.0 TFSI quattro	10.08 - 08.11	220	2995	6	CCAA	CL015	6			pencil
3.2 FSI	03.05 - 10.08	188	3123	6	AUK	CL015	6			pencil
3.2 FSI quattro	03.05 - 10.08	188	3123	6	AUK	CL015	6			pencil
4.2 quattro	03.05 - 05.06	246	4163	8	BAT	CL029	8			pencil
4.2 FSI quattro	06.06 - 08.11	257	4163	8	BVJ	CL015	8			pencil
RS6 quattro 5.0	04.08 - 08.10	426	4991	10	BUH	CL015	10			pencil
S6 quattro 5.2	03.06 - 08.11	320	5204	10	BXA	CL015	10			pencil

A6 Avant (4G5, C7, 4GD)

1.8 TFSI	09.14 -	140	1798	4	CYGA	CL032	4			pencil
2.0 TFSI	06.11 -	132	1984	4	CDNB	CL011	4			pencil
2.0 TFSI	09.14 -	185	1984	4	CYNB/CYPA	CL032	4			pencil
2.8 FSI	05.11 -	150	2773	6	CHVA	CL015	6			pencil
2.8 FSI quattro	05.11 -	150	2773	6	CHVA	CL015	6			pencil
3.0 TFSI quattro	05.11 - 05.12	220	2995	6	CGWB	CL015	6			pencil
3.0 TFSI quattro	11.11 -	228	2995	6	CGWD	CL015	6			pencil
3.0 TFSI quattro	09.14 -	245	2995	6	CREC	CL015	6			pencil

A7 Sportback (4GA, 4GF)

2.0 TFSI	09.14 -	185	1984	4	CYPA	CL032	4			pencil
----------	---------	-----	------	---	------	-------	---	--	--	--------

model	year	kW	cm ³	cyl	engine	coil	pcs	boot	pcs	info
AUDI										
A7 Sportback (4GA, 4GF)										
2.8 FSI	02.11 -	150	2773	6	CHVA	CL015	6			pencil
2.8 FSI quattro	10.10 -	150	2773	6	CHVA/CNYA	CL015	6			pencil
3.0 TFSI quattro	10.10 -	220	2995	6	CGWB/CHMA	CL015	6			pencil
3.0 TFSI quattro	01.11 -	228	2995	6	CTTA/CGWD/CGXB/CTUA	CL015	6			pencil
3.0 TFSI quattro	05.14 -	245	2995	6	CREC	CL015	6			pencil
A8 (4D2, 4D8)										
2.8	07.95 - 03.96	120	2771	6	AEJ	CL026	1			
2.8	03.94 - 03.96	128	2771	6	AAH	CL026	1			
2.8	04.96 - 09.02	142	2771	6	APR/ACK/ALG/AQD/AMX	CL006	1			
2.8 quattro	07.95 - 03.96	120	2771	6	AEJ	CL026	1			
2.8 quattro	03.94 - 03.96	128	2771	6	AAH	CL026	1			
2.8 quattro	04.96 - 09.02	142	2771	6	APR/ACK/AQD/AMX	CL006	1			
3.7	07.95 - 12.98	169	3697	8	AEW	CL004	8	CP009	8	pencil
3.7	11.98 - 09.02	191	3697	8	AKC/AQG	CL014	8			pencil
3.7 quattro	07.95 - 11.98	169	3697	8	AKJ/AEW	CL004	8	CP009	8	pencil
3.7 quattro	11.98 - 09.02	191	3697	8	AKC/AQG	CL014	8			pencil
4.2 quattro	02.99 - 04.00	175	4172	8	ARU	CL014	8			pencil
4.2 quattro	03.94 - 07.96	180	4172	8	AEM	CL004	8	CP009	8	pencil
4.2 quattro	03.94 - 11.98	220	4172	8	AKG/ABZ	CL004	8	CP009	8	pencil
4.2 quattro	11.98 - 09.02	228	4172	8	AUW/AQF/AUX	CL014	8			pencil
S8 quattro 4.2	07.96 - 06.99	250	4172	8	AHC/AKH	CL004	8	CP001	8	pencil
S8 quattro 4.2	06.99 - 09.02	265	4172	8	AQH/AVP	CL014	8			pencil
A8 (4E)										
2.8 FSI	08.07 - 07.10	154	2773	6	BDX	CL015	6			pencil
3.0	07.03 - 05.05	162	2976	6	ASN	CL034	6			pencil
3.0	07.03 - 05.06	160	2976	6	BBJ	CL034	6			pencil
3.2 FSI	06.05 - 07.10	191	3123	6	BPK	CL015	6			pencil
3.2 FSI quattro	06.05 - 07.10	191	3123	6	BPK	CL015	6			pencil
3.7 quattro	10.02 - 05.06	206	3697	8	BFL	CL029	8			pencil
4.2 quattro	10.02 - 07.10	246	4172	8	BFM	CL029	8			pencil
4.2 FSI quattro	06.06 - 07.10	257	4163	8	BVJ	CL015	8			pencil
6.0 W12 quattro	12.03 - 07.10	331	5998	12	BTE/BSB/BHT	CL022	12			pencil
S8 quattro 5.2	06.06 - 07.10	331	5204	10	BSM	CL015	10			pencil
A8 (4H)										
3.0 TFSI quattro	07.10 -	213	2995	6	CGWA/CREG/CGXA	CL015	6			pencil
3.0 TFSI quattro	11.11 -	228	2995	6	CGWD/CREA	CL015	6			pencil
3.0 TFSI quattro	06.10 -	245	2995	6	CTDA/CMDA/CTUB/CGXC	CL015	6			pencil
4.2 FSI quattro	11.09 -	273	4163	8	CDRA	CL015	8			pencil
Allroad (4BH, C5)										
2.7 T quattro	05.00 - 08.05	184	2671	6	ARE	CL004	6	CP001	6	pencil
4.2 V8 quattro	07.02 - 08.05	220	4163	8	BAS	CL017	8			pencil
Cabriolet (8G7, B4)										
1.8	01.97 - 08.00	92	1781	4	ADR	CL028	1			semidirect / pencil / twin coil
2.0 E	01.93 - 07.98	85	1984	4	ABK	CL001	1			
2.6	06.93 - 08.00	110	2598	6	ABC	CL006	1			
2.8	11.92 - 08.00	128	2771	6	AAH	CL006	1			
Coupe (89, 8B)										
2.0	05.89 - 12.96	85	1984	4	AAD	CL001	1			
2.6	08.92 - 12.96	110	2598	6	ABC	CL006	1			
2.6 quattro	08.92 - 12.96	110	2598	6	ABC	CL006	1			
2.8	09.91 - 12.96	128	2771	6	AAH	CL006	1			
2.8 quattro	08.91 - 12.96	128	2771	6	AAH	CL006	1			
S2 quattro 2.2	10.92 - 12.96	169	2226	5	ABY	CL033	5	CP002	5	pencil
Q3 (8U)										
2.0 TFSI	05.15 -	132	1984	4	CULB	CL032	4			pencil
2.0 TFSI quattro	06.11 -	125	1984	4	CCZC	CL011	4			pencil
2.0 TFSI quattro	11.14 -	132	1984	4	CULB	CL032	4			pencil
2.0 TFSI quattro	06.11 -	155	1984	4	CPSA	CL011	4			pencil
RS 2.5 quattro	05.13 -	250	2480	5	CZGA	CL011	5			pencil
Q5 (8R)										
2.0 TFSI quattro	08.09 -	132	1984	4	CDNB/CNCB	CL011	4			pencil
2.0 TFSI quattro	11.08 -	155	1984	4	CAEB/CPMA/CDNC	CL011	4			pencil
3.2 FSI quattro	11.08 -	199	3197	6	CALB	CL011	6			pencil
Q7 (4L)										
3.0 TFSI	05.10 -	200	2995	6	CJWC/CJTC	CL015	6			pencil
3.0 TFSI	05.11 -	206	2995	6	CTWB/CJWE	CL015	6			pencil
3.0 TFSI	05.10 -	245	2995	6	CJTB/CTWA/CNAAC/CJWB	CL015	6			pencil
3.6 FSI	08.06 - 05.10	206	3597	6	BHK	CL016	6			pencil
4.2 FSI	03.06 - 05.10	257	4163	8	BAR	CL015	8			pencil
Q7 (4M)										
3.0 TFSI	01.15 -	245	2995	6	CREC	CL015	6			pencil

model	year	kW	cm ³	cyl	engine	coil	pcs	boot	pcs	info
AUDI										
R8										
4.2 FSI quattro	04.07 - 09.10	309	4163	8	BYH	CL015	8			pencil
4.2 FSI quattro	07.10 - 07.15	316	4163	8	CNDA	CL015	8			pencil
5.2 FSI quattro	04.09 - 07.15	386	5204	10	BUJ/CTYA	CL015	10			pencil
5.2 FSI quattro	11.10 - 07.15	412	5204	10	CMPA	CL011	10			pencil
5.2 FSI quattro	07.14 - 07.15	419	5204	10	CTPB	CL015	10			pencil
R8 Spyder										
4.2 FSI quattro	09.10 - 07.15	316	4163	8	CNDA	CL015	8			pencil
5.2 FSI quattro	11.11 - 07.15	412	5204	10	CMPA	CL011	10			pencil
5.2 FSI quattro	02.10 - 07.15	386	5204	10	BUJ/CTYA	CL015	10			pencil
TT (8N3)										
1.8T	09.02 - 06.06	110	1781	4	AUM	CL005	4			1 st pencil
						CL014	4			2 nd pencil
1.8T	09.05 - 06.06	120	1781	4	BVP	CL005	4			pencil
1.8T	10.98 - 08.00	132	1781	4	AJQ/APP	CL014	4			year / pencil
	09.00 - 06.06	132		4	APP/AUQ	CL005	4			year / pencil/ engine code
1.8T	09.05 - 06.06	140	1781	4	BVR	CL005	4			pencil
1.8T quattro	10.98 - 06.06	132	1781	4	ARY	CL005	4			pencil / engine code
				4	AJQ	CL014	4			pencil / engine code
1.8T quattro	09.05 - 06.06	140	1781	4	BVR	CL005	4			pencil
1.8T quattro	10.98 - 06.06	165	1781	4	BAM	CL005	4			pencil / engine code
				4	APX	CL014	4			pencil / engine code
1.8T quattro	03.05 - 06.06	176	1781	4	BFV	CL005	4			pencil
3.2 VR6 quattro	07.03 - 06.06	184	3189	6	BPF/BHE	CL016	6			pencil
TT (8J3)										
1.8 TFSI	06.08 - 06.14	118	1798	4	CDA A	CL011	4			pencil
2.0 TFSI	08.06 - 06.10	147	1984	4	BWA/BPY/CCTA	CL011	4			pencil
2.0 TFSI	05.10 - 06.14	155	1984	4	CESA	CL011	4			pencil
2.0 TFSI quattro	06.08 - 06.10	147	1984	4	BWA/CCZA	CL011	4			pencil
2.0 TFSI quattro	05.10 - 06.14	155	1984	4	CETA/CESA	CL011	4			pencil
2.0 TTS quattro	05.08 - 06.14	195	1984	4	CDMA/CDLA	CL011	4			pencil
2.0 TTS quattro	05.08 - 06.14	200	1984	4	CDLB	CL011	4			pencil
2.5 RS quattro	07.09 - 06.14	250	2480	5	CEPA	CL011	5			pencil
2.5 RS quattro	05.11 - 06.14	265	2480	5	CEPB	CL011	5			pencil
3.2 V6 quattro	08.06 - 06.10	184	3189	6	BUB	CL016	6			pencil
TT (FV3)										
2.0 TFSI	07.14 -	169	1984	4	CHHC	CL032	4			pencil
2.0 TFSI quattro	07.14 -	169	1984	4	CHHC	CL032	4			pencil
TT Roadster (8N9)										
1.8T	01.01 - 06.06	110	1781	4	AUM	CL005	4			pencil
1.8T	09.05 - 06.06	120	1781	4	BVP	CL005	4			pencil
1.8T	10.99 - 08.00	132	1781	4	AJQ/APP	CL014	4			year / pencil
				4	APP/AUQ	CL005	4			year / pencil/ engine code
1.8T	09.05 - 06.06	140	1781	4	BVR	CL005	4			pencil
1.8T quattro	02.00 - 06.06	132	1781	4	ARY	CL005	4			pencil
1.8T quattro	09.05 - 06.06	140	1781	4	BVR	CL005	4			pencil
1.8T quattro	10.99 - 06.06	165	1781	4	BAM/APX	CL005	4			pencil
3.2 VR6 quattro	07.03 - 06.06	184	3189	6	BPF/BHE	CL016	6			pencil
TT Roadster (8J9)										
1.8 TFSI	06.08 - 06.14	118	1798	4	CDA A	CL011	4			pencil
2.0 TFSI	03.07 - 06.10	147	1984	4	BWA/BPY/CCTA	CL011	4			pencil
2.0 TFSI	05.10 - 06.14	155	1984	4	CESA	CL011	4			pencil
2.0 TFSI quattro	06.08 - 06.10	147	1984	4	CCZA	CL011	4			pencil
2.0 TFSI quattro	05.10 - 06.14	155	1984	4	CETA/CESA	CL011	4			pencil
2.0 TTS quattro	05.08 - 06.14	195	1984	4	CDMA/CDLA	CL011	4			pencil
2.0 TTS quattro	05.08 - 06.14	200	1984	4	CDLB	CL011	4			pencil
2.5 RS quattro	07.09 - 06.14	250	2480	5	CEPA	CL011	5			pencil
3.2 V6 quattro	03.07 - 06.10	184	3189	6	BUB	CL016	6			pencil
TT Roadster (FV9)										
2.0 TFSI	11.14 -	169	1984	4	CHHC	CL032	4			pencil
2.0 TFSI quattro	11.14 -	169	1984	4	CHHC	CL032	4			pencil
BMW										
1 (E81)										
116 i	03.07 - 09.12	85	1596	4	N45 B16 A/N43 B16 A	CL602	4			pencil
116 i	03.07 - 09.12	90	1597	4	N43 B16 A	CL619	4			pencil
116 i	11.08 - 09.12	90	1995	4	N43 B20 A	CL619	4			pencil
118 i	09.06 - 09.12	105	1995	4	N43 B20 A	CL619	4			pencil
120 i	09.06 - 09.12	115	1995	4	N46 B20 B/N46 B20 C	CL602	4			pencil
120 i	09.06 - 09.12	125	1995	4	N43 B20 A	CL619	4			pencil
130 i	09.06 - 09.12	190	2996	6	N52 B30 A/_ B30 BF/_ B30 B	CL603	6			pencil
130 i	09.06 - 09.12	195	2996	6	N52 B30 A/_ B30 BF/_ B30 B	CL603	6			pencil

model	year	kW	cm ³	cyl	engine	coil	pcs	boot	pcs	info
BMW										
1 Cabriolet (E88)										
118 i	03.08 -	105	1995	4	N43 B20 A	CL619	4			pencil
120 i	03.08 -	125	1995	4	N43 B20 A	CL619	4			pencil
125 i	03.08 -	160	2996	6	N52 B30 A	CL603	6			pencil
135 i	03.08 -	225	2979	6	N55 B30 A/N54 B30 A	CL603	6			pencil
1 Coupe (E82)										
120 i	10.07 -	125	1995	4	N43 B20 A	CL619	4			pencil
125 i	10.07 -	160	2996	6	N52 B30 A	CL603	6			pencil
135 i	10.07 -	225	2979	6	N55 B30 A/N54 B30 A	CL603	6			pencil
2 Active Tourer (F45)										
218 i	09.14 -	100	1499	3	B38 A15 A/B38 A15 MO	CL626	3			pencil
225 i	09.14 -	170	1998	4	B48 A20 B	CL626	4			pencil
3 (E30)										
318 is	09.89 - 08.91	100	1796	4	M42 B18 (184S1)	CL601	4	CP003	4	pencil
						CL615	1			coil 4xPIN
3 (E36)										
316 i	07.93 - 02.98	75	1596	4	M43 B16 (164E2)	CL615	1			
318 i	10.93 - 02.98	85	1796	4	M43 B18 (184E2)	CL615	1			
318 is	03.93 - 09.93	103	1796	4	M42 B18 (184S1)	CL601	4	CP003	4	pencil
						CL615	1			coil 4xPIN
318 is	09.95 - 02.98	103	1895	4	M44 B19 (194S1)	CL615	1			
320 i	09.90 - 02.98	110	1991	6	M52 B20 (206S3, _S2, _S1)	CL601	6	CP003	6	pencil
323 i 2.5	03.95 - 02.98	125	2494	6	M52 B25 (256S3)	CL600	6	CP003	6	pencil
325 i	09.90 - 09.95	141	2494	6	M50 B25 (256S1, _S2)	CL601	6	CP003	6	pencil
328 i	01.95 - 02.98	142	2793	6	M52 B28 (286S1)	CL600	6	CP003	6	pencil
M3 3.0	08.94 - 09.95	210	2990	6	S50 B30 (306S1)	CL601	6	CP005	6	pencil
M3 3.2	09.95 - 02.98	236	3201	6	S50 B32 (326S1)	CL600	6	CP003	6	pencil
3 (E46)										
316 i	09.98 - 02.05	77	1895	4	M43 B19 (194E1)	CL615	1			
316 i	04.00 - 02.05	77	1596	4	M43 B16 (164E3)	CL615	1			
316 i	02.02 - 02.05	85	1796	4	N46 B18 A/N42 B18 A	CL602	4			pencil
316 i	06.02 - 02.05	85	1596	4	N45 B16 A/N40 B16 A	CL602	4			pencil
318 i	02.98 - 09.01	87	1895	4	M43 B19 (194E1)	CL615	1			
318 i	09.01 - 02.05	105	1995	4	N46 B20 A/N42 B20 A	CL602	4			pencil
320 i	03.98 - 09.00	110	1991	6	M52 B20 (206S4)	CL600	6	CP003	6	pencil
320 i	06.00 - 09.02	125	2171	6	M54 B22 (226S1)	CL600	6	CP003	6	year / pencil
	10.02 - 02.05	125	2171	6	M54 B22 (226S1)	CL602	6			year / pencil
323 i	03.98 - 09.00	125	2494	6	M52 B25 (256S4)	CL600	6	CP003	6	pencil
325 i	06.00 - 09.02	141	2494	6	M54 B25 (256S5)	CL600	6	CP003	6	year / pencil
	10.02 - 02.05	141	2494	6	M54 B25 (256S5)	CL602	6			year / pencil
325 xi	06.00 - 09.02	141	2494	6	M54 B25 (256S5)	CL600	6	CP003	6	year / pencil
	10.02 - 02.05	141	2494	6	M54 B25 (256S5)	CL602	6			year / pencil
328 i	02.98 - 06.00	142	2793	6	M52 B28 (286S2)	CL600	6	CP003	6	pencil
330 i	06.00 - 09.02	170	2979	6	M54 B30 (306S3)	CL600	6	CP003	6	year / pencil
	10.02 - 02.05	170	2979	6	M54 B30 (306S3)	CL602	6			year / pencil
330 xi	06.00 - 09.02	170	2979	6	M54 B30 (306S3)	CL600	6	CP003	6	year / pencil
	10.02 - 02.05	170	2979	6	M54 B30 (306S3)	CL602	6			year / pencil
3 (E90)										
316 i	02.06 - 12.11	85	1596	4	N45 B16 A	CL602	4			pencil
318 i	05.06 - 03.07	95	1995	4	N46 B20 B	CL602	4			pencil
318 i	09.07 - 12.11	105	1995	4	N43 B20 A	CL619	4			pencil
320 i	01.05 - 03.07	110	1995	4	N46 B20 B/_ B20 A/_ B20 C	CL602	4			pencil
320 i	09.07 - 12.11	125	1995	4	N43 B20 A	CL619	4			pencil
320 si	05.06 - 12.11	127	1997	4	N45 B20 A	CL602	4			pencil
325 i	01.05 - 04.06	160	2497	6	N52 B25 A	CL623	6			year / pencil
	05.06 - 12.11	160	2497	6	N52 B25 A	CL603	6			year / pencil
325 i	09.07 - 12.11	160	2996	6	N53 B30 A	CL619	6			pencil
325 i xDrive	09.08 - 12.11	160	2996	6	N53 B30 A	CL619	6			pencil
325 xi	01.05 - 04.06	160	2497	6	N52 B25 A	CL623	6			year / pencil
	05.06 - 12.11	160	2497	6	N52 B25 A	CL603	6			year / pencil
325 xi	09.07 - 12.11	160	2996	6	N53 B30 A	CL619	6			pencil
330 i	01.05 - 04.06	190	2996	6	N52 B30 A	CL623	6			year / pencil
	05.06 - 08.07	190	2996	6	N52 B30 A	CL603	6			year / pencil
330 i	09.07 - 12.11	200	2996	6	N52 B30 A/N53 B30 A	CL619	6			pencil
330 i xDrive	09.08 - 12.11	200	2996	6	N53 B30 A	CL619	6			pencil
330 xi	01.05 - 08.07	190	2996	6	N52 B30 A	CL623	6			pencil
330 xi	09.07 - 12.11	200	2996	6	N53 B30 A	CL619	6			pencil
335 i	09.06 - 12.11	225	2979	6	N55 B30 A/N54 B30 A	CL603	6			pencil
335 i xDrive	09.08 - 12.11	225	2979	6	N55 B30 A/N54 B30 A	CL603	6			pencil
335 xi	09.07 - 12.11	225	2979	6	N55 B30 A/N54 B30 A	CL603	6			pencil
M3 4.0	03.07 - 12.11	309	3999	8	S65 B40 A	CL624	8			pencil

model	year	kW	cm ³	cyl	engine	coil	pcs	boot	pcs	info
BMW										
3 Cabriolet (E36)										
318 i	01.94 - 04.99	85	1796	4	M43 B18 (184E2)	CL615	1			
320 i	12.93 - 04.99	110	1991	6	M52 B20 (206S3, _S2)	CL601	6	CP003	6	pencil
323 i	06.95 - 04.99	125	2494	6	M52 B25 (256S3)	CL600	6	CP003	6	pencil
325 i	03.93 - 03.95	141	2494	6	M50 B25 (256S2)	CL601	6	CP003	6	pencil
328 i	03.95 - 04.99	142	2793	6	M52 B28 (286S1)	CL600	6	CP003	6	pencil
M3 3.0	01.94 - 10.95	210	2990	6	S50 B30 (306S1)	CL601	6	CP005	6	pencil
M3 3.2	10.95 - 04.99	236	3201	6	S50 B32 (326S1)	CL600	6	CP003	6	pencil
3 Cabriolet (E46)										
318 Ci	09.01 -	105	1995	4	N46 B20 A/N42 B20 A	CL602	4			pencil
318 Ci	02.05 -	110	1995	4	N46 B20 B/N46 B20 A	CL602	4			pencil
320 Ci	09.00 - 09.02	125	2171	6	M54 B22 (226S1)	CL600	6	CP003	6	year / pencil
	10.02 -	125	2171	6	M54 B22 (226S1)	CL602	6			year / pencil
323 Ci	04.00 - 09.00	125	2494	6	M52 B25 (256S4)	CL600	6	CP003	6	pencil
325 Ci	09.00 - 09.02	141	2494	6	M54 B25 (256S5)	CL600	6	CP003	6	year / pencil
	10.02 -	141	2494	6	M54 B25 (256S5)	CL602	6			year / pencil
330 Ci	06.00 - 09.02	170	2979	6	M54 B30 (306S3)	CL600	6	CP003	6	year / pencil
	10.02 -	170	2979	6	M54 B30 (306S3)	CL602	6			year / pencil
M3 3.2	04.01 -	252	3246	6	S54 B32 (326S4)	CL602	6			pencil
3 Cabriolet (E93)										
320 i	03.07 -	125	1995	4	N43 B20 A	CL619	4			pencil
325 i	03.07 -	160	2996	6	N53 B30 A	CL619	6			pencil
325 i	03.07 -	160	2497	6	N52 B25 A	CL603	6			pencil
330 i	03.07 -	200	2996	6	N52 B30 A/N53 B30 A	CL619	6			pencil
335 i	03.07 -	225	2979	6	N54 B30 B/_B30 A/N55 B30 A	CL603	6			pencil
M3 4.0	03.07 -	309	3999	8	S65 B40 A	CL624	8			pencil
3 Compact (E36)										
316 g	03.94 - 08.00	75	1596	4	M43 B16 (164E2)	CL615	1			
316 i	03.94 - 08.00	75	1596	4	M43 B16 (164E2)	CL615	1			
316 i	12.98 - 08.00	77	1895	4	M43 B19 (194E1)	CL615	1			
318 ti	11.94 - 08.95	103	1796	4	M42 B18 (184S1)	CL615	1			
318 ti	07.95 - 08.00	103	1895	4	M44 B19 (194S1)	CL615	1			
323 ti	08.97 - 08.00	125	2494	6	M52 B25 (256S3)	CL600	6	CP003	6	pencil
3 Compact (E46)										
316 ti	06.01 - 02.05	85	1796	4	N46 B18 A/N42 B18 A	CL602	4			pencil
316 ti	06.02 - 02.05	85	1596	4	N45 B16 A/N40 B16 A	CL602	4			pencil
318 ti	09.01 - 02.05	105	1995	4	N46 B20 A/N42 B20 A	CL602	4			pencil
325 ti	06.01 - 09.02	141	2494	6	M54 B25 (256S5)	CL600	6	CP003	6	year / pencil
	10.02 - 12.04	141	2494	6	M54 B25 (256S5)	CL602	6			year / pencil
3 Coupe (E36)										
316 i	09.93 - 04.99	75	1596	4	M43 B16 (164E2)	CL615	1			
318 is	03.92 - 10.95	103	1796	4	M42 B18 (184S1)	CL615	1			
318 is	09.95 - 04.99	103	1895	4	M44 B19 (194S1)	CL615	1			
320 i	03.92 - 04.99	110	1991	6	M52 B20 (206S3, _S2, _S1)	CL600	6	CP003	6	pencil
323 i	03.95 - 04.99	125	2494	6	M52 B25 (256S3)	CL600	6	CP003	6	pencil
325 i	03.92 - 04.99	141	2494	6	M50 B25 (256S1, _S2)	CL601	6	CP003	6	pencil
328 i	01.95 - 04.99	142	2793	6	M52 B28 (286S1)	CL600	6	CP003	6	pencil
M3 3.0	10.92 - 01.95	210	2990	6	S50 B30 (306S1)	CL601	6	CP005	6	pencil
M3 3.0	01.95 - 10.95	217	2990	6	S50 B30 (306S1)	CL601	6	CP005	6	pencil
M3 3.2	10.95 - 04.99	236	3201	6	S50 B32 (326S1)	CL600	6	CP003	6	pencil
3 Coupe (E46)										
316 Ci	04.00 - 07.06	77	1596	4	M43 B16 (164E3)	CL615	1			
316 Ci	06.02 - 07.06	85	1596	4	N45 B16 A	CL602	4			pencil
318 Ci	11.99 - 09.01	87	1895	4	M43 B19 (194E1)	CL615	1			
318 Ci	09.01 - 07.06	105	1995	4	N46 B20 A/N42 B20 A	CL602	4			pencil
318 Ci	03.05 - 07.06	110	1995	4	N46 B20 A	CL602	4			pencil
320 Ci	08.99 - 09.00	110	1991	6	M52 B20 (206S4)	CL600	6	CP003	6	pencil
320 Ci	06.00 - 09.02	125	2171	6	M54 B22 (226S1)	CL600	6	CP003	6	year / pencil
	10.02 - 07.06	125	2171	6	M54 B22 (226S1)	CL602	6			year / pencil
323 Ci	04.99 - 09.00	125	2494	6	M52 B25 (256S4)	CL600	6	CP003	6	pencil
325 Ci	06.00 - 09.02	141	2494	6	M54 B25 (256S5)	CL600	6	CP003	6	year / pencil
325 Ci	10.02 - 07.06	141	2494	6	M54 B25 (256S5)	CL602	6			year / pencil
328 Ci	04.99 - 06.00	142	2793	6	M52 B28 (286S2)	CL600	6	CP003	6	pencil
330 Ci	06.00 - 09.02	170	2979	6	M54 B30 (306S3)	CL600	6	CP003	6	year / pencil
	09.02 - 07.06	170	2979	6	M54 B30 (306S3)	CL602	6			year / pencil
330 xi	06.00 - 09.02	170	2979	6	M54 B30 (306S3)	CL600	6	CP003	6	year / pencil
	10.02 - 07.06	170	2979	6	M54 B30 (306S3)	CL602	6			year / pencil
M3 3.2	06.00 - 07.06	252	3246	6	S54 B32 (326S4)	CL602	6			pencil
M3 CSL 3.2	06.03 - 07.06	265	3246	6	S54 B32 (326S4)	CL602	6			pencil
3 Coupe (E92)										
320 i	03.07 -	125	1995	4	N43 B20 A	CL619	4			pencil
320 i	11.06 - 06.07	110	1995	4	N46 B20 A/N46N B20 B	CL602	4			pencil

model	year	kW	cm ³	cyl	engine	coil	pcs	boot	pcs	info
BMW										
3 Coupe (E92)										
325 i	09.06 -	160	2497	6	N52 B25 A	CL603	6			pencil
325 i	09.07 -	160	2996	6	N53 B30 A	CL619	6			pencil
325 i xDrive	09.08 -	160	2996	6	N53 B30 A	CL619	6			pencil
325 xi	09.06 -	160	2497	6	N52 B25 A	CL603	6			pencil
325 xi	09.07 -	160	2996	6	N53 B30 A	CL619	6			pencil
330 i	09.06 -	200	2996	6	N52 B30 A	CL603	6			pencil / engine code
				6	N53 B30 A	CL619	6			pencil / engine code
330 i xDrive	09.08 -	200	2996	6	N53 B30 A	CL619	6			pencil
330 xi	09.06 -	200	2996	6	N52 B30 A/N53 B30 A	CL619	6			pencil
335 i	09.06 -	225	2979	6	N55 B30 A/N54 B30 A	CL603	6			pencil
335 i xDrive	09.08 -	225	2979	6	N55 B30 A/N54 B30 A	CL603	6			pencil
335 xi	09.06 -	225	2979	6	N55 B30 A/N54 B30 A	CL603	6			pencil
M 4.0	03.07 -	309	3999	8	S65 B40 A	CL624	8			pencil
3 Touring (E36)										
316 i	01.96 - 10.99	75	1596	4	M43 B16 (164E2)	CL615	1			
318 i	07.95 - 10.99	85	1796	4	M43 B18 (184E2)	CL615	1			
320 i	01.95 - 10.99	110	1991	6	M52 B20 (206S3)	CL600	6	CP003	6	pencil
323 i	09.95 - 10.99	125	2494	6	M52 B25 (256S3)	CL600	6	CP003	6	pencil
328 i	01.95 - 10.99	142	2793	6	M52 B28 (286S1)	CL600	6	CP003	6	pencil
3 Touring (E46)										
316 i	03.02 - 02.05	85	1796	4	N46 B18 A/N42 B18 A	CL602	4			pencil
316 i	06.02 - 02.05	85	1596	4	N45 B16 A	CL602	4			pencil
318 i	10.99 - 09.01	87	1895	4	M43 B19 (194E1)	CL615	1			
318 i	09.01 - 02.05	105	1995	4	N46 B20 A/N42 B20 A	CL602	4			pencil
320 i	10.99 - 09.00	110	1991	6	M52 B20 (206S4)	CL600	6	CP003	6	pencil
320 i	06.00 - 09.02	125	2171	6	M54 B22 (226S1)	CL600	6	CP003	6	year / pencil
	10.02 - 02.05	125	2171	6	M54 B22 (226S1)	CL602	6			year / pencil
325 i	06.00 - 09.02	141	2494	6	M54 B25 (256S5)	CL600	6	CP003	6	year / pencil
	10.02 - 02.05	141	2494	6	M54 B25 (256S5)	CL602	6			year / pencil
325 xi	06.00 - 09.02	141	2494	6	M54 B25 (256S5)	CL600	6	CP003	6	year / pencil
	10.02 - 02.05	141	2494	6	M54 B25 (256S5)	CL602	6			year / pencil
328 i	10.99 - 06.00	142	2793	6	M52 B28 (286S2)	CL600	6	CP003	6	pencil
330 i	06.00 - 09.02	170	2979	6	M54 B30 (306S3)	CL600	6	CP003	6	year / pencil
	10.02 - 02.05	170	2979	6	M54 B30 (306S3)	CL602	6			year / pencil
330 xi	06.00 - 09.02	170	2979	6	M54 B30 (306S3)	CL600	6	CP003	6	year / pencil
	10.02 - 02.05	170	2979	6	M54 B30 (306S3)	CL602	6			year / pencil
3 Touring (E91)										
318 i	01.06 - 06.12	95	1995	4	N46 B20 B	CL602	4			pencil
318 i	09.07 - 06.12	105	1995	4	N43 B20 A	CL619	4			pencil
320 i	09.05 - 06.12	110	1995	4	N46 B20 A/N46 B20 C	CL602	4			pencil
320 i	09.07 - 06.12	125	1995	4	N43 B20 A	CL619	4			pencil
323 i	04.06 - 06.07	130	2497	6	N52 B25 A	CL623	6			pencil
325 i	09.05 - 04.06	160	2497	6	N52 B25 A	CL623	6			year / pencil
	05.06 - 06.12	160	2497	6	N52 B25 A	CL603	6			year / pencil
325 i	09.07 - 06.12	160	2996	6	N53 B30 A	CL619	6			pencil
325 i xDrive	09.07 - 06.12	160	2996	6	N53 B30 A	CL619	6			pencil
325 xi	09.05 - 04.06	160	2497	6	N52 B25 A	CL623	6			year / pencil
	05.06 - 06.12	160	2497	6	N52 B25 A	CL603	6			year / pencil
325 xi	09.07 - 06.12	160	2996	6	N53 B30 A	CL619	6			pencil
330 i	09.05 - 04.06	190	2996	6	N52 B30 A	CL623	6			year / pencil
	05.06 - 08.07	190	2996	6	N52 B30 A	CL603	6			year / pencil
330 i	09.07 - 06.12	200	2996	6	N53 B30 A	CL619	6			pencil
330 i xDrive	09.07 - 06.12	200	2996	6	N53 B30 A	CL619	6			pencil
330 xi	09.05 - 08.07	190	2996	6	N52 B30 A	CL623	6			pencil
330 xi	09.07 - 06.12	200	2996	6	N53 B30 A	CL619	6			pencil
335 i	09.06 - 06.12	225	2979	6	N55 B30 A/N54 B30 A	CL603	6			pencil
335 i xDrive	09.08 - 06.12	225	2979	6	N55 B30 A/N54 B30 A	CL603	6			pencil
335 xi	03.07 - 06.12	225	2979	6	N55 B30 A/N54 B30 A	CL603	6			pencil
5 (E34)										
518 i	08.89 - 09.95	85	1796	4	M43 B18 (184E2)	CL615	1			
520 i 24V	09.89 - 09.95	110	1991	6	M50 B20 (206S2, _S1)	CL601	6	CP003	6	pencil
525 i 24V	09.89 - 09.95	141	2494	6	M50 B25 (256S2)	CL601	6	CP003	6	pencil
525 iX 24V	10.91 - 09.95	141	2494	6	M50 B25 (256S1, _S2)	CL601	6	CP003	6	pencil
530 i V8	09.92 - 09.95	160	2997	8	M60 B30 (308S1)	CL601	8	CP003	8	pencil
540 i V8	09.92 - 09.95	210	3982	8	M60 B40 (408S1)	CL601	8	CP003	8	pencil
5 (E39)										
520 i	04.99 - 06.03	100	1991	6	M52 B20 (206S3)	CL600	6	CP003	6	pencil
520 i	01.96 - 09.00	110	1991	6	M52 B20 (206S3)	CL600	6	CP003	6	pencil
520 i	09.00 - 09.02	125	2171	6	M54 B22 (226S1)	CL600	6	CP003	6	year / pencil
	10.02 - 06.03	125	2171	6	M54 B22 (226S1)	CL602	6			year / pencil



model	year	kW	cm ³	cyl	engine	coil	pcs	boot	pcs	info
-------	------	----	-----------------	-----	--------	------	-----	------	-----	------

BMW

5 (E39)

523 i	11.95 - 09.00	125	2494	6	M52 B25 (256S3)	CL600	6	CP003	6	pencil
525 i	09.00 - 09.02	141	2494	6	M54 B25 (256S5)	CL600	6	CP003	6	year / pencil
	10.02 - 06.03	141	2494	6	M54 B25 (256S5)	CL602	6			year / pencil
528 i	11.95 - 09.00	142	2793	6	M52 B28 (286S1, _S2)	CL600	6	CP003	6	pencil
530 i	09.00 - 09.02	170	2979	6	M54 B30 (306S3)	CL600	6	CP003	6	year / pencil
	10.02 - 06.03	170	2979	6	M54 B30 (306S3)	CL602	6			year / pencil
535 i	04.96 - 03.99	173	3498	8	M62 B35 (358S1, _S2)	CL600	8	CP003	8	pencil
535 i	04.99 - 06.03	180	3498	8	M62 B35 (358S2)	CL600	8	CP003	8	pencil
540 i	04.96 - 06.03	210	4398	8	M62 B44 (448S2, _S1)	CL600	8	CP003	8	pencil
M 4.9	10.98 - 06.03	294	4941	8	S62 B50 (508S1)	CL600	8	CP003	8	pencil

5 (E60)

520 i	07.03 - 03.10	125	2171	6	M54 B22 (226S1)	CL602	6			pencil
520 i	09.07 - 03.10	125	1995	4	N43 B20 A	CL619	4			pencil
523 i	07.05 - 04.06	130	2497	6	N52 B25 A	CL623	6			year / pencil
	05.06 - 03.10	130	2497	6	N52 B25 A	CL603	6			year / pencil
523 i	01.07 - 03.10	140	2497	6	N52 B25 A/N53 B25 A	CL619	6			pencil
525 i	09.03 - 03.10	141	2494	6	M54 B25 (256S5)	CL602	6			pencil
525 i	07.05 - 04.06	160	2497	6	N52 B25 A	CL623	6			year / pencil
	05.06 - 03.10	160	2497	6	N52 B25 A	CL603	6			year / pencil
525 i	01.07 - 03.10	160	2996	6	N53 B30 A	CL619	6			pencil
525 i xDrive	09.08 - 03.10	160	2996	6	N53 B30 A	CL619	6			pencil
525 xi	07.05 - 03.10	160	2497	6	N52 B25 A	CL623	6			pencil
525 xi	01.07 - 03.10	160	2996	6	N53 B30 A	CL619	6			pencil
	07.03 - 03.10	170	2979	6	M54 B30 (306S3)	CL602	6			pencil
530 i	07.05 - 04.06	190	2996	6	N52 B30 A	CL623	6			year / pencil
	05.06 - 03.10	190	2996	6	N52 B30 A	CL603	6			year / pencil
530 i	01.07 - 03.10	200	2996	6	N52 B30 A/N53 B30 A	CL619	6			pencil
530 i xDrive	09.08 - 03.10	200	2996	6	N52 B30 A/N53 B30 A	CL619	6			pencil
530 xi	07.05 - 04.06	190	2996	6	N52 B30 A	CL623	6			year / pencil
	05.06 - 03.10	190	2996	6	N52 B30 A	CL603	6			year / pencil
530 xi	01.07 - 03.10	200	2996	6	N52 B30 A/N53 B30 A	CL619	6			pencil
540 i	07.05 - 03.10	225	4000	8	N62 B40 A	CL602	8			pencil
545 i	09.03 - 03.10	245	4398	8	N62 B44 A	CL602	8			pencil
550 i	07.05 - 03.10	270	4799	8	N62 B48 A/N62 B48 B	CL602	8			pencil

5 (F10, F18)

523 i	12.09 -	150	2996	6	N53 B30 A	CL619	6			pencil
528 i	02.10 -	190	2996	6	N53 B30 A	CL619	6			pencil
550 i	02.10 -	300	4395	8	N63 B44 A	CL603	8			pencil
550 i xDrive	08.10 -	300	4395	8	N63 B44 A	CL603	8			pencil

5 Gran Turismo (F07)

550 i	10.09 -	300	4395	8	N63 B44 A	CL603	8			pencil
550 i xDrive	09.10 -	300	4395	8	N63 B44 A	CL603	8			pencil

5 Touring (E34)

518 g	11.95 - 06.96	85	1796	4	M43 B18 (184E2)	CL615	1			
518 i	09.94 - 01.97	85	1796	4	M43 B18 (184E2)	CL615	1			
520 i	11.91 - 01.97	110	1991	6	M50 B20 (206S2, _S1)	CL601	6	CP003	6	pencil
525 i	11.91 - 01.97	141	2494	6	M50 B25 (256S1, _S2)	CL601	6	CP003	6	pencil
525 ix	02.92 - 01.97	141	2494	6	M50 B25 (256S1, _S2)	CL601	6	CP003	6	pencil
530 i V8	09.92 - 01.97	160	2997	8	M60 B30 (308S1)	CL601	8	CP003	8	pencil
540 i	09.93 - 01.97	210	3982	8	M60 B40 (408S1)	CL601	8	CP003	8	pencil

5 Touring (E39)

520 i	01.97 - 09.00	110	1991	6	M52 B20 (206S3)	CL600	6	CP003	6	pencil
520 i	04.99 - 05.04	100	1991	6	M52 B20 (206S3)	CL600	6	CP003	6	pencil
520 i	09.00 - 09.02	125	2171	6	M54 B22 (226S1)	CL600	6	CP003	6	year / pencil
	10.02 - 05.04	125	2171	6	M54 B22 (226S1)	CL602	6			year / pencil
523 i	01.97 - 09.00	125	2494	6	M52 B25 (256S3)	CL600	6	CP003	6	pencil
525 i	09.00 - 09.02	141	2494	6	M54 B25 (256S5)	CL600	6	CP003	6	year / pencil
	10.02 - 05.04	141	2494	6	M54 B25 (256S5)	CL602	6			year / pencil
528 i	01.97 - 09.00	142	2793	6	M52 B28 (286S1, _S2)	CL600	6	CP003	6	pencil
530 i	09.00 - 09.02	170	2979	6	M54 B30 (306S3)	CL600	6	CP003	6	year / pencil
	10.02 - 05.04	170	2979	6	M54 B30 (306S3)	CL602	6			year / pencil
540 i	01.97 - 05.04	210	4398	8	M62 B44 (448S2, _S1)	CL600	8	CP003	8	pencil

5 Touring (E61)

520 i	09.07 -	125	1995	4	N43 B20 A	CL619	4			pencil
523 i	07.05 - 04.06	130	2497	6	N52 B25 A	CL623	6			year / pencil
	05.06 -	130	2497	6	N52 B25 A	CL603	6			year / pencil
523 i	01.07 -	140	2497	6	N52 B25 A/N53 B25 A	CL619	6			pencil
525 i	06.04 -	141	2494	6	M54 B25 (256S5)	CL602	6			pencil
525 i	07.05 - 04.06	160	2497	6	N52 B25 A	CL623	6			year / pencil
	05.06 -	160	2497	6	N52 B25 A	CL603	6			year / pencil

model	year	kW	cm ³	cyl	engine	coil	pcs	boot	pcs	info
BMW										
5 Touring (E61)										
525 i	01.07 -	160	2996	6	N53 B30 A	CL619	6			pencil
525 i xDrive	09.08 -	160	2996	6	N53 B30 A	CL619	6			pencil
525 xi	07.05 -	160	2497	6	N52 B25 A	CL623	6			pencil
525 xi	01.07 -	160	2996	6	N52 B30 A/N53 B30 A	CL619	6			pencil
530 i	07.05 - 04.06	190	2996	6	N52 B30 A	CL623	6			year / pencil
	05.06 -	190	2996	6	N52 B30 A	CL603	6			year / pencil
530 i	01.07 -	200	2996	6	N52 B30 A/N53 B30 A	CL619	6			pencil
530 i xDrive	09.08 -	200	2996	6	N52 B30 A/N53 B30 A	CL619	6			pencil
530 xi	07.05 - 04.06	190	2996	6	N52 B30 A	CL623	6			year / pencil
	05.06 -	190	2996	6	N52 B30 A	CL603	6			year / pencil
530 xi	01.07 -	200	2996	6	N52 B30 A/N53 B30 A	CL619	6			pencil
545 i	06.04 -	245	4398	8	N62 B44 A	CL602	8			pencil
550 i	07.05 -	270	4799	8	N62 B48 A/N62 B48 B	CL602	8			pencil
5 Touring (F11)										
523 i	09.10 -	150	2996	6	N53 B30 A	CL619	6			pencil
528 i	09.10 -	190	2996	6	N53 B30 A	CL619	6			pencil
6 (E63)										
630 i	09.04 - 04.06	190	2996	6	N52 B30 A	CL623	6			year / pencil
	05.06 -	190	2996	6	N52 B30 A	CL603	6			year / pencil
630 i	07.07 -	200	2996	6	N52 B30 A/ BF/ B/N53 B30A	CL619	6			pencil
645 Ci	01.04 -	245	4398	8	N62 B44 A	CL602	8			pencil
650 i	07.05 -	270	4799	8	N62 B48 B	CL602	8			pencil
6 Cabriolet (E64)										
630 i	09.04 - 04.06	190	2996	6	N52 B30 A	CL623	6			year / pencil
	05.06 -	190	2996	6	N52 B30 A	CL603	6			year / pencil
630 i	07.07 -	200	2996	6	N52 B30 A/ BF/ B/N53 B30A	CL619	6			pencil
645 Ci	04.04 -	245	4398	8	N62 B44 A	CL602	8			pencil
650 i	07.05 -	270	4799	8	N62 B48 B	CL602	8			pencil
6 Cabriolet (F12)										
650 i	03.11 -	300	4395	8	N63 B44 A	CL603	8			pencil
6 Coupe (F13)										
650 i	11.10 -	300	4395	8	N63 B44 A	CL603	8			pencil
7 (E32)										
730 i,iL V8	04.92 - 09.94	160	2997	8	M60 B30 (308S1)	CL601	8	CP003	8	pencil
740 i,iL V8	04.92 - 09.94	210	3982	8	M60 B40 (408S1)	CL601	8	CP003	8	pencil
7 (E38)										
728 i,iL	08.95 - 11.01	142	2793	6	M52 B28 (286S1, _S2)	CL600	6	CP003	6	pencil
730 i,iL	10.94 - 11.01	155	2997	8	M60 B30 (308S1)	CL601	8	CP003	8	pencil
730 i,iL	10.94 - 11.01	160	2997	8	M60 B30 (308S1)	CL601	8	CP003	8	pencil
735 i,iL	01.96 - 11.01	173	3498	8	M62 B35 (358S1)	CL600	8	CP003	8	pencil
740 i,iL	10.94 - 11.01	210	3982	8	M60 B40 (408S1)	CL601	8	CP003	8	pencil
740 i,iL	01.96 - 11.01	210	4398	8	M62 B44 (448S2, _S1)	CL600	8	CP003	8	pencil
750 i,iL	12.94 - 11.01	240	5379	12	M73 B54 (54122, _121)	CL600	12	CP003	12	pencil
7 (E65, E66, E67)										
730 i,Li	03.03 -	170	2979	6	M54 B30 (306S3)	CL602	6			pencil
730 i,Li	03.05 - 04.06	190	2996	6	N52 B30 A	CL623	6			year / pencil
	05.06 -	190	2996	6	N52 B30 A	CL603	6			year / pencil
735 i,Li	11.01 -	200	3600	8	N62 B36 A	CL602	8			pencil
740 i,Li	07.05 -	225	4000	8	N62 B40 A	CL602	8			pencil
745 i,Li	11.01 -	245	4398	8	N62 B44 A	CL602	8			pencil
750 i,Li	07.05 -	270	4799	8	N62 B48 B	CL602	8			pencil
760 i,Li	01.03 -	327	5972	12	N73 B60 A	CL602	12			pencil
7 (F01, F02, F03, F04)										
740 i	10.08 -	240	2979	6	N54 B30 A	CL603	6			pencil
750 i	10.08 -	300	4395	8	N63 B44 A	CL603	8			pencil
750 i xDrive	09.09 -	300	4395	8	N63 B44 A/N63 B44 B	CL603	8			pencil
760 i	09.09 -	400	5972	12	N74 B60 A	CL603	12			pencil
4.4 ActiveHybrid	10.10 -	342	4395	8	N63 B44 A	CL603	8			pencil
8 (E31)										
840 Ci	01.96 - 12.99	210	4398	8	M62 B44 (448S1)	CL600	8	CP003	8	pencil
840 i	02.93 - 02.96	210	3982	8	M60 B40 (408S1)	CL601	8	CP003	8	pencil
850 Ci	09.94 - 12.99	240	5379	12	M73 B54 (54121)	CL600	12	CP003	12	pencil
i8 (I12)										
1.5 hybrid	03.14 -	170	1499	3	B38 K15 A	CL626	3			pencil
X1 (E84)										
sDrive 18 i	01.10 -	110	1995	4	N46 B20 B	CL602	4			pencil
xDrive 25 i	01.10 -	160	2996	6	N52 B30 A	CL603	6			pencil
xDrive 28 i	10.09 -	190	2996	6	N52 B30 A	CL603	6			pencil
X3 (E83)										
2.0 i	07.05 -	110	1995	4	N46 B20 B	CL602	4			pencil
2.5 i	01.04 -	141	2494	6	M54 B25 (256S5)	CL602	6			pencil



model	year	kW	cm ³	cyl	engine	coil	pcs	boot	pcs	info
BMW										
X3 (E83)										
2.5 si	09.06 -	160	2497	6	N52 B25 A	CL603	6			pencil
3.0 i xDrive	01.04 -	170	2979	6	M54 B30 (306S3)	CL602	6			pencil
3.0 si	09.06 -	200	2996	6	N52 B30 A	CL603	6			pencil
xDrive 20 i	09.08 -	110	1995	4	N46 B20 B	CL602	4			pencil
xDrive 25 i	09.08 -	160	2497	6	N52 B25 A	CL603	6			pencil
xDrive 30 i	09.08 -	200	2996	6	N52 B30 A	CL603	6			pencil
X3 (F25)										
xDrive 28 i	04.11 -	190	2996	6	N52 B30 A	CL603	6			pencil
X5 (E53)										
3.0 i	05.00 - 10.02	163	2979	6	M54 B30 (306S3)	CL600	6	CP003	6	year / pencil
	11.02 - 12.06	163	2979	6	M54 B30 (306S3)	CL602	6			year / pencil
3.0 i	05.00 - 12.06	170	2979	6	M54 B30 (306S3)	CL600	6	CP003	6	pencil
4.4 i	05.00 - 12.03	210	4398	8	M62 B44 (448S2)	CL600	8	CP003	8	pencil
4.4 i	12.03 - 09.06	235	4398	8	N62 B44/N62 B44 A	CL602	8			pencil
4.6 is	02.02 - 12.03	255	4619	8	M62 B46 (468S1)	CL600	8	CP003	8	pencil
4.8 is	04.04 - 09.06	265	4799	8	N62 B48 A	CL602	8			pencil
X5 (E70)										
3.0 si	02.07 - 09.08	200	2996	6	N52 B30 A	CL603	6			pencil
4.8 i xDrive	02.07 - 09.08	261	4799	8	N62 B48 B	CL602	8			pencil
M 4.4	09.09 - 06.13	408	4395	8	S63 B44 A	CL603	8			pencil
xDrive 30 i	09.08 - 03.10	200	2996	6	N52 B30 A	CL603	6			pencil
xDrive 48 i	09.08 - 06.13	261	4799	8	N62 B48 B	CL602	8			pencil
xDrive 50 i	06.10 - 06.13	300	4395	8	N63 B44 A	CL603	8			pencil
X6 (E71, E72)										
35 i	05.08 -	225	2979	6	N54 B30 A	CL603	6			pencil
50 i	05.08 -	300	4395	8	N63 B44 A	CL603	8			pencil
ActiveHybrid	10.10 -	357	4395	8	N63 B44 A	CL603	8			pencil
M 4.4	09.09 -	408	4395	8	S63 B44 A	CL603	8			pencil
xDrive 35 i	09.08 -	225	2979	6	N55 B30 A/N54 B30 A	CL603	6			pencil
xDrive 50 i	09.08 -	300	4395	8	N63 B44 A	CL603	8			pencil
Z3 (E36)										
1.8	10.95 - 10.98	85	1796	4	M43 B18 (184E2)	CL615	1			
1.9	10.95 - 03.99	103	1895	4	M44 B19 (194S1)	CL615	1			
1.9	07.98 - 01.03	87	1895	4	M43 B19 (194E1)	CL615	1			
1.9	01.99 - 01.03	85	1895	4	M43 B19 (194E1)	CL615	1			
2.0	04.99 - 01.03	110	1991	6	M52 B20 (206S4)	CL600	6	CP003	6	pencil
2.2	08.00 - 01.03	125	2171	6	M54 B22 (226S1)	CL600	6	CP003	6	pencil
2.8	04.97 - 06.00	141	2793	6	M52 B28 (286S1)	CL600	6	CP003	6	pencil
3.0	06.00 - 01.03	170	2979	6	M54 B30 (306S3)	CL600	6	CP003	6	pencil
M 3.2	03.97 - 06.01	236	3201	6	S50 B32 (326S1)	CL600	6	CP003	6	pencil
M 3.2	06.01 - 01.03	239	3246	6	S54 B32 (326S4)	CL602	6			pencil
Z3 Coupe (E36)										
2.8	07.97 - 06.00	141	2793	6	M52 B28 (286S1)	CL600	6	CP003	6	pencil
3.0	06.00 - 06.03	170	2979	6	M54 B30 (306S3)	CL600	6	CP003	6	pencil
M 3.2	02.98 - 06.01	236	3201	6	S50 B32 (326S1)	CL600	6	CP003	6	pencil
M 3.2	06.01 - 06.03	239	3246	6	S54 B32 (326S4)	CL602	6			pencil
Z4 (E85)										
2.0 i	04.05 -	110	1995	4	N46 B20 B/N46 B20 A	CL602	4			pencil
2.2 i	10.03 -	125	2171	6	M54 B22 (226S1)	CL602	6			pencil
2.5 i	02.03 -	141	2494	6	M54 B25 (256S5)	CL602	6			pencil
2.5 i	01.06 - 04.06	130	2497	6	N52 B25 A	CL623	6			year / pencil
	05.06 -	130	2497	6	N52 B25 A	CL603	6			year / pencil
2.5 si	01.06 - 04.06	160	2497	6	N52 B25 A	CL623	6			year / pencil
	05.06 -	160	2497	6	N52 B25 A	CL603	6			year / pencil
3.0 i	02.03 -	170	2979	6	M54 B30 (306S3)	CL602	6			pencil
3.0 si	01.06 - 04.06	195	2996	6	N52 B30 A	CL623	6			year / pencil
	05.06 -	195	2996	6	N52 B30 A	CL603	6			year / pencil
M 3.2	03.06 -	252	3246	6	S54 B32 (326S4)	CL602	6			pencil
Z4 (E89)										
sDrive 23 i	05.09 -	150	2497	6	N52 B25 A	CL603	6			pencil
sDrive 30 i	05.09 -	190	2996	6	N52 B30 A	CL603	6			pencil
sDrive 35 i	05.09 -	225	2979	6	N54 B30 A	CL603	6			pencil
sDrive 35 is	09.10 -	250	2979	6	N54 B30 A	CL603	6			pencil
Z4 Coupe (E86)										
3.0 si	03.06 - 04.06	195	2996	6	N52 B30 A	CL623	6			year / pencil
	05.06 -	195	2996	6	N52 B30 A	CL603	6			year / pencil
M 3.2	03.06 -	252	3246	6	S54 B32 (326S4)	CL602	6			pencil
Z8 (E52)										
4.9	06.00 - 06.03	294	4941	8	S62 B50 (508S1)	CL600	8	CP003	8	pencil

model	year	kW	cm ³	cyl	engine	coil	pcs	boot	pcs	info
CADILLAC										
CTS										
3.0	01.08 -	203	2997	6	LF1	CL245	6			pencil
3.0 AWD	01.08 -	203	2997	6	LF1	CL245	6			pencil
3.6	01.10 -	199	3564	6	LLT	CL245	6			pencil
3.6	09.11 -	237	3564	6	LLT	CL245	6			pencil
3.6	01.08 -	229	3564	6	LLT	CL245	6			pencil
3.6 AWD	01.10 -	199	3564	6	LLT	CL245	6			pencil
3.6 AWD	09.11 -	237	3564	6	LLT	CL245	6			pencil
3.6 AWD	01.08 -	229	3564	6	LLT	CL245	6			pencil
CTS Coupe										
3.0	01.10 -	201	2997	6	LF1	CL245	6			pencil
3.0 AWD	01.10 -	201	2997	6	LF1	CL245	6			pencil
3.6	01.08 -	229	3564	6	LLT	CL245	6			pencil
3.6	09.11 -	237	3564	6	LLT	CL245	6			pencil
3.6 AWD	01.08 -	229	3564	6	LLT	CL245	6			pencil
3.6 AWD	09.11 -	237	3564	6	LLT	CL245	6			pencil
CTS Sport Wagon										
3.0	01.08 -	203	2997	6	LF1	CL245	6			pencil
3.0 AWD	01.08 -	203	2997	6	LF1	CL245	6			pencil
3.6	01.08 -	229	3564	6	LLT	CL245	6			pencil
3.6	09.11 -	237	3564	6	LLT	CL245	6			pencil
3.6 AWD	01.08 -	229	3564	6	LLT	CL245	6			pencil
3.6 AWD	09.11 -	237	3564	6	LLT	CL245	6			pencil
SRX										
3.0	01.09 -	198	2996	6	LF1	CL245	6			pencil
3.0 AWD	01.09 -	198	2996	6	LF1	CL245	6			pencil
3.0 AWD	01.09 -	199	2997	6	LF1	CL245	6			pencil
3.6 AWD	10.12 -	234	3564	6	LFX	CL245	6			pencil
STS										
3.6	10.09 -	229	3564	6	LLT	CL245	6			pencil
3.6 AWD	10.09 -	229	3564	6	LLT	CL245	6			pencil
CHEVROLET										
Aveo CC (T250, T255)										
1.2	10.08 -	53	1150	4	F12S3	CL220	1			
1.2	04.08 -	62	1206	4	LMU/B12D1	CL220	1			
1.2 LPG	04.08 -	62	1206	4	LMU/B12D1	CL220	1			
1.4	04.08 -	74	1399	4	A 14 XER/LDT/F14D4	CL220	1			
Aveo CC (T300)										
1.2	03.11 -	51	1229	4	A 12 XEL	CL238	1			rail coil
1.2	03.11 -	63	1229	4	A 12 XER	CL238	1			rail coil
1.2 LPG	11.12 -	63	1229	4	A 12 XER	CL238	1			rail coil
1.4	03.11 -	74	1398	4	A 14 XER	CL238	1			rail coil
1.4 Turbo	08.13 -	103	1364	4	LUJ/LUV	CL238	1			rail coil
1.6	03.11 -	85	1598	4	F16D4	CL233	1			rail coil
Aveo Sedan (T250, T255)										
1.2	03.06 - 12.07	53	1150	4	F12S3/LQ5	CL220	1			
1.2	01.08 -	62	1206	4	LMU/B12D1	CL220	1			
1.4	03.06 - 12.07	69	1399	4	F14D3/L14	CL220	1			
1.4	09.08 -	74	1399	4	F14D4	CL220	1			
1.5	05.05 -	62	1498	4	F15S3/LX6	CL220	1			
Aveo Sedan (T300)										
1.2	03.11 -	51	1229	4	A 12 XEL	CL238	1			rail coil
1.2	03.11 -	63	1229	4	A 12 XER	CL238	1			rail coil
1.2 LPG	11.12 -	63	1229	4	A 12 XER	CL238	1			rail coil
1.4	07.11 -	74	1398	4	A 14 XER	CL238	1			rail coil
1.6	03.11 -	85	1598	4	F16D4	CL233	1			rail coil
Camaro										
3.6	01.11 -	232	3564	6	LLT	CL245	6			pencil
Camaro Convertible										
3.6	01.11 -	232	3564	6	LLT	CL245	6			pencil
Captiva (C100, C140)										
2.4	06.06 -	100	2405	4	Z 24 SED	CL220	1			
2.4	12.06 -	103	2405	4	Z 24 SED	CL220	1			
2.4	03.11 -	123	2384	4	A 24 XE/LE5	CL237	4			pencil
2.4 4WD	06.06 -	100	2405	4	Z 24 SED	CL220	1			
2.4 4WD	12.06 -	103	2405	4	Z 24 SED	CL220	1			
2.4 4WD	03.11 -	123	2384	4	A 24 XE/LE5	CL237	4			pencil
2.4 LPG	01.07 -	100	2405	4	Z 24 SED	CL220	1			
2.4 LPG 4WD	01.07 -	100	2405	4	Z 24 SED	CL220	1			
3.0 4WD	01.10 -	190	2997	6	A 30 XH/LF1	CL245	6			pencil
3.2 4WD	06.06 -	169	3195	6	10 HM	CL245	6			pencil

model	year	kW	cm ³	cyl	engine	coil	pcs	boot	pcs	info
CHEVROLET										
Cruze (J300)										
1.6	05.09 -	80	1598	4	LXV/F16D3/LXT	CL220	1			
1.6	05.09 -	83	1598	4	F16D4	CL220	1			
1.6	05.09 -	91	1598	4	LDE/F16D4	CL220	1			
1.8	05.09 -	104	1796	4	2H0/F18D4	CL241	1			rail coil
Cruze CC (J305)										
1.4	06.12 -	103	1362	4	LUJ	CL238	1			rail coil
1.8	06.11 -	104	1796	4	F18D4	CL241	1			rail coil
1.8 LPG	06.11 -	104	1796	4	F18D4	CL241	1			rail coil
Cruze Station Wagon (J308)										
1.4	08.12 -	103	1362	4	LUJ	CL238	1			rail coil
1.8	08.12 -	104	1796	4	2H0	CL241	1			rail coil
Epica (KL1_)										
2.0	06.06 -	105	1993	6	X 20 D1	CL234	6			pencil
2.5	06.06 -	115	2492	6	LF4	CL234	6			pencil
Evanda										
2.0	03.05 -	96	1998	4	X 20 SED	CL220	1			
Kalos										
1.2	03.05 -	53	1150	4	B12S1	CL220	1			
1.4	03.05 -	61	1399	4	F14S3	CL220	1			
1.4 16V	03.05 -	69	1399	4	F14D3	CL220	1			
Kalos Sedan										
1.2	03.05 -	53	1150	4	F12S3	CL220	1			
1.4	03.05 -	61	1399	4	F14S3	CL220	1			
1.4 16V	03.05 -	69	1399	4	F14D3	CL220	1			
Lacetti (J200)										
1.4 16V	03.05 -	70	1399	4	F14D3	CL225	1			
1.6	03.05 -	80	1598	4	F16D3	CL225	1			
1.8	08.05 -	89	1796	4	F18D3	CL220	1			
1.8	03.05 -	90	1799	4	T18SED	CL220	1			
Lanos Sedan										
1.5	11.05 -	63	1498	4	A15SMS	CL201	1			
Matiz (M200, M250)										
0.8	03.05 -	38	796	3	F8CV	CL216	1			
0.8 LPG	03.05 -	38	796	3	F8CV	CL216	1			
1.0	03.05 -	47	995	4	B10S	CL220	1			
1.0	03.05 -	49	995	4	B10S1	CL220	1			
1.0 LPG	03.05 -	49	995	4	B10S1	CL220	1			
Nubira Combi										
1.6	03.05 -	80	1598	4	F16D3	CL225	1			
1.8	03.05 -	90	1799	4	T18SED	CL220	1			
Nubira Sedan										
1.4	01.05 -	69	1399	4	F14D3	CL225	1			
1.4	01.06 -	70	1399	4	F14D3	CL225	1			
1.6	03.05 -	80	1598	4	F16D3	CL225	1			
1.8	03.05 -	90	1799	4	T18SED	CL220	1			
Orlando (J309)										
1.4	06.12 -	103	1362	4	LUJ	CL238	1			rail coil
1.8	02.11 -	104	1796	4	2H0/F18D4	CL241	1			rail coil
Spark										
0.8	05.05 -	37	796	3	F8CV	CL216	1			
0.8	09.00 - 12.04	38	796	3	F8CV	CL216	1			
1.0 SX	05.05 -	46	995	4	LA2/B10S	CL220	1			
1.0 SX	05.05 -	49	995	4	B10S1	CL220	1			
Spark (M300)										
1.0	03.10 -	50	995	4	B10D1	CL220	1			
1.2	03.10 -	60	1206	4	LMU/B12D1	CL220	1			
Tacuma										
1.6	03.05 -	77	1598	4	A16DMS	CL220	1			
1.6	08.05 -	79	1598	4	A16DMS	CL220	1			
2.0	03.05 -	89	1998	4	T20SED	CL220	1			
2.0	08.05 -	90	1998	4	T20SED	CL220	1			
Trax										
1.4	12.12 -	103	1364	4	LUJ/LUV	CL238	1			rail coil
1.4 AWD	12.12 -	103	1364	4	LUJ	CL238	1			rail coil
1.4 LPG	04.13 -	103	1364	4	A 14 NET/B 14 NET	CL238	1			rail coil
CHRYSLER										
300 C (LX)										
2.7	01.07 - 11.12	130	2736	6	EES	CL721	6	CP065	6	pencil
2.7	09.04 - 12.05	142	2736	6	2.7FX/EER	CL722	6	CP067	6	year / pencil
	01.06 - 11.12	142	2736	6	2.7FX/EER	CL721	6	CP065	6	year / pencil

model	year	kW	cm ³	cyl	engine	coil	pcs	boot	pcs	info
CHRYSLER										
300 C (LX)										
3.5	09.04 - 12.05	183	3518	6	3.5CSP	CL720	6	CP067	6	year / pencil
	01.06 - 11.12	183	3518	6	3.5CSP	CL721	6	CP065	6	year / pencil
5.7	01.06 - 12.08	250	5654	8	EZH/EZD/EZB	CL718	8	CP064	16	pencil / twin coil
6.1 SRT8	06.05 - 11.12	317	6059	8	ESF	CL718	8	CP064	16	pencil / twin coil
300 C Touring (LX)										
2.7	01.07 - 12.10	130	2736	6	EES	CL721	6	CP065	6	pencil
2.7	09.04 - 12.05	142	2736	6	2.7FX/EER	CL722	6	CP067	6	year / pencil
	01.06 - 12.10	142	2736	6	2.7FX/EER	CL721	6	CP065	6	year / pencil
3.5	09.04 - 12.05	183	3518	6	3.5CSP/EEG	CL720	6	CP067	6	year / pencil
	01.06 - 12.10	183	3518	6	3.5CSP/EEG	CL721	6	CP065	6	year / pencil
3.5 AWD	09.04 - 12.05	183	3518	6	3.5CSP	CL720	6	CP067	6	year / pencil
	01.06 - 12.10	183	3518	6	3.5CSP	CL721	6	CP065	6	year / pencil
5.7	01.06 - 12.10	250	5654	8	EZH/EZD/EZB	CL718	8	CP064	16	pencil / twin coil
5.7 AWD	04.05 - 12.10	250	5654	8	EZH/EZB	CL718	8	CP064	16	pencil / twin coil
6.1 SRT8	06.05 - 12.10	317	6059	8	ESF	CL718	8	CP064	16	pencil / twin coil
300 M (LR)										
2.7 V6 24V	11.98 - 08.00	149	2736	6	EER	CL722	6	CP067	6	pencil
2.7 V6 24V	08.00 - 09.04	150	2736	6	EER	CL722	6	CP067	6	pencil
3.5 V6 24V	08.00 - 09.04	185	3518	6	EGG	CL720	6	CP067	6	pencil
3.5 V6 24V	07.98 - 08.00	187	3518	6	EGG	CL720	6	CP067	6	pencil
Concorde										
2.7 LX	10.97 - 09.03	149	2736	6	EER	CL722	6	CP067	6	pencil
3.5 LX	10.97 - 09.03	174	3518	6	EWZ	CL720	6	CP067	6	pencil
3.5 LX Supercharged	10.97 - 09.03	186	3518	6	EWZ	CL720	6	CP067	6	pencil
Crossfire										
3.2	07.03 - 12.08	160	3199	6	EGX	CL605	3			twin coil
3.2 SRT-6	09.04 - 12.07	246	3199	6	EGZ	CL605	3			twin coil
Crossfire Roadster										
3.2	05.04 - 12.08	160	3199	6	EGX	CL605	3			twin coil
3.2 SRT-6	09.04 - 12.06	246	3199	6	EGZ	CL605	3			twin coil
Daytona Coupe										
2.2 i Turbo	09.86 - 12.90	130	2213	4	EER	CL712	1			
2.5 i Turbo	01.89 - 10.92	110	2501	4	EDT	CL712	1			
Neon II										
2.0 16V R/T	10.01 - 12.06	110	1996	4	ECH	CL706	1			
PT Cruiser (PT_)										
1.6	11.01 - 12.10	85	1598	4	EJD	CL706	1			
2.0	10.04 - 12.10	100	1996	4	ECC	CL706	1			
2.0	06.00 - 12.10	104	1996	4	ECC	CL706	1			
2.4	08.05 - 12.10	105	2429	4	EDZ	CL706	1			
2.4	06.00 - 12.10	110	2429	4	EDZ	CL706	1			
PT Cruiser Cabriolet										
2.4	03.04 - 03.08	105	2429	4	EDZ	CL706	1			
Sebring (JR)										
2.0	04.01 - 06.07	104	1996	4	ECC	CL706	1			
2.7 V6 24V	04.01 - 06.07	149	2736	6	EER/EES	CL722	6	CP067	6	pencil
Sebring (JS)										
2.0 VVT	07.07 - 12.10	115	1998	4	ECN			CP066	4	
2.4 VVT	07.07 - 12.10	125	2360	4	EDG/ED3			CP066	4	
Sebring Cabriolet (JR)										
2.0	04.01 - 06.07	104	1996	4	ECC	CL706	1			
2.7 V6 24V	04.01 - 06.07	149	2736	6	EES	CL722	6	CP067	6	pencil
Sebring Cabriolet (JS)										
2.4 VVT	07.07 - 12.10	125	2360	4	ED3			CP066	4	
2.7	07.07 - 12.10	137	2736	6	EER	CL721	6	CP065	6	pencil
Stratus (JA)										
2.0 LE	12.95 - 04.01	96	1996	4	C00	CL706	1			
Stratus Cabriolet (JX)										
2.0 LE	06.96 - 04.01	96	1996	4	420X	CL706	1			
Voyager II (ES)										
2.5 i	08.90 - 09.95	74	2501	4	K	CL712	1			
Voyager III (GS)										
2.4 i	01.95 - 03.01	111	2429	4	B00	CL706	1			
Voyager IV (RG, RS)										
2.4	02.00 - 12.08	108	2429	4	EDZ	CL706	1			
CITROEN										
AX (ZA_)										
10	09.86 - 06.92	32	954	4	C1A	CL108	1			
10	07.86 - 12.90	33	954	4	CDY (TU9M)	CL108	1			coil 1xSAE / year
	01.91 - 12.91	33	954	4	CDY (TU9M)	CL109	1			coil 1xSAE / year
	01.92 - 12.98	33	954	4	CDY (TU9M)	CL106	1			coil 4xPIN / year

model	year	kW	cm ³	cyl	engine	coil	pcs	boot	pcs	info
CITROEN										
AX (ZA_)										
10	02.87 - 12.98	37	954	4	CDZ (TU9M)	CL106	1			
10 E	12.86 - 12.88	30	954	4	C3A	CL108	1			
11	12.86 - 04.94	40	1124	4	H1A/H1B	CL108	1			
11	09.86 - 04.92	44	1124	4	HDZ (TU1M)/H1B	CL109	1			coil 1xSAE / year
	05.92 - 12.97	44	1124	4	HDZ (TU1M)/H1B	CL106	1			coil 4xPIN / year
11 4x4	06.91 - 07.92	40	1124	4	H1A	CL108	1			
11 cat	09.88 - 12.89	40	1124	4	HAZ (TU1CP)	CL108	1			
14	12.86 - 12.88	44	1360	4	KAY (TU3CP)	CL108	1			
14	06.88 - 12.89	49	1360	4	K1F	CL108	1			
14	04.87 - 01.93	55	1360	4	KDY/KDZ /KDX	CL108	1			coil 1xSAE / year
	01.93 - 04.97	55	1360	4	KDY (TU3FM)/KDX (TU3M/Z)	CL106	1			coil 4xPIN / year
14	01.88 - 12.92	62	1360	4	K2B/K2A	CL108	1			
14 4x4	08.91 - 01.93	55	1360	4	KDY/KDZ /KDX	CL108	1			coil 1xSAE / year
	01.93 - 12.96	55	1360	4	KDY (TU3FM)/KDX (TU3M/Z)	CL106	1			coil 4xPIN / year
1.3 Sport	04.87 - 12.88	70	1294	4	M4A	CL108	1			
1.4 GTi	08.91 - 12.96	66	1360	4	KFY (TU3FJ2)	CL106	1			
1.4 GTi	06.91 - 12.96	69	1360	4	KFZ (TU3FJ2)	CL106	1			
1.4 GTi	06.91 - 12.92	74	1360	4	KFZ (TU3FJ2)	CL106	1			
Berlingo (B9)										
1.6	04.08 -	66	1587	4	NFR (TU5JP4B)	CL104	1	CP068	4	rail coil
1.6	04.08 -	80	1587	4	NFU (TU5JP4)	CL104	1	CP068	4	rail coil
1.6 VTi 120	11.09 -	88	1598	4	5FS (EP6C)	CL603	4			pencil
1.6 VTi 95	07.10 -	72	1598	4	5FK (EP6CB)	CL603	4			pencil
Berlingo (MF)										
1.1 i	07.96 -	44	1124	4	HDZ (TU1M)	CL107	1			
1.4 i	07.96 -	55	1360	4	KFX (TU3JP)/KFW (TU3JP)	CL107	1			coil 4xPIN / year
	06.98 -	55	1360	4	KFX (TU3JP)/KFW (TU3JP)	CL120	1	CP069	4	1 st rail coil / year
	09.00 -	55	1360	4	KFX (TU3JP)/KFW (TU3JP)	CL111	1	CP069	4	2 nd rail coil / year
	09.05 -	55	1360	4	KFX (TU3JP)/KFW (TU3JP)	CL110	1	CP069	4	3 rd rail coil / year
1.6 16V	10.00 -	80	1587	4	NFU (TU5JP4)	CL104	1	CP068	4	rail coil
1.8 i	05.97 -	66	1761	4	LFX (XU7JB)	CL107	1			
1.8 i 4WD	04.97 -	66	1761	4	LFX (XU7JB)	CL107	1			
Berlingo Van (B9)										
1.6	04.08 -	66	1587	4	NFR (TU5JP4B)	CL104	1	CP068	4	rail coil
1.6	04.08 -	80	1587	4	NFU (TU5JP4)	CL104	1	CP068	4	rail coil
1.6 VTi 120	11.09 -	88	1598	4	5FS (EP6C)	CL603	4			pencil
1.6 VTi 95	07.10 -	72	1598	4	5FK (EP6CB)	CL603	4			pencil
Berlingo Van (M_)										
1.1 i	07.96 -	44	1124	4	HDZ (TU1M)/HFX (TU1JP)	CL107	1			
1.4 i	07.96 -	55	1360	4	KFX (TU3JP)/KFW (TU3JP)	CL107	1			coil 4xPIN / year
	06.98 -	55	1360	4	KFX (TU3JP)/KFW (TU3JP)	CL120	1	CP069	4	1 st rail coil / year
	09.00 -	55	1360	4	KFX (TU3JP)/KFW (TU3JP)	CL111	1	CP069	4	2 nd rail coil / year
	09.05 -	55	1360	4	KFX (TU3JP)/KFW (TU3JP)	CL110	1	CP069	4	3 rd rail coil / year
1.6 16V	10.00 -	80	1587	4	NFU (TU5JP4)	CL104	1	CP068	4	rail coil
1.8 i	08.99 - 10.02	66	1761	4	LFX (XU7JB)	CL107	1			
BX (XB_)										
11	10.88 - 06.92	40	1124	4	HDZ (TU1M)	CL108	1			
14	01.89 - 02.93	55	1360	4	KDZ (TU3M/Z)/KDY (TU3M)	CL108	1			
15	10.87 - 05.92	59	1580	4	B1E (XU51C)	CL114	1			
16	01.87 - 02.93	53	1580	4	B1E (XU51C)	CL114	1			
16	09.89 - 02.93	55	1580	4	BAZ (XU5CP)/BAY (XU5CP)	CL114	1			
16	07.85 - 02.93	64	1580	4	171D	CL114	1			
16	03.86 - 02.93	76	1580	4	180Z	CL108	1			
16 E	09.89 - 03.91	65	1580	4	BDY (XU5M)/BDZ (XU5M)	CL114	1			coil 1xSAE / year
	03.91 - 02.93	65	1580	4	BDY (XU5M)/BDZ (XU5M)	CL107	1			coil 4xPIN / year
19	09.86 - 11.89	70	1905	4	D2C (XU92C)	CL114	1			
19	07.86 - 05.89	75	1905	4	159A	CL114	1			
19 E	06.88 - 02.93	80	1905	4	DDZ (XU9M)	CL114	1			
19 E 4x4	04.89 - 02.93	80	1905	4	D2F	CL114	1			
19 GTi	06.88 - 02.93	88	1905	4	DKZ (XU9JA)	CL114	1			
19 GTi	07.86 - 02.93	90	1905	4	D6A (XU9J2)	CL114	1			
19 GTi 16V	03.88 - 02.93	108	1905	4	DFW (XU9J4)	CL114	1			
19 GTi 16V	09.87 - 12.88	116	1905	4	D6C (XU9J4)	CL114	1			
19 GTi 4x4	06.88 - 02.93	88	1905	4	DKZ (XU9JA)	CL114	1			
BX Break (XB_)										
14	01.86 - 02.93	53	1360	4	150C	CL108	1			
14	01.89 - 02.93	55	1360	4	KDY (TU3M)	CL108	1			
15	04.88 - 05.92	59	1580	4	B1E (XU51C)	CL114	1			
16	09.88 - 12.94	53	1580	4	B1E (XU51C)	CL114	1			
16	07.85 - 12.94	64	1580	4	171D	CL114	1			

model	year	kW	cm ³	cyl	engine	coil	pcs	boot	pcs	info
CITROEN										
BX Break (XB_)										
16	05.89 - 03.91	65	1580	4	BDY (XU5M)/BDZ (XU5M)	CL114	1			coil 1xSAE / year
	03.91 - 12.94	65	1580	4	BDY (XU5M)/BDZ (XU5M)	CL107	1			coil 4xPIN / year
16	03.86 - 12.94	76	1580	4	180Z	CL108	1			
19	12.87 - 12.89	70	1905	4	D2C (XU92C)	CL114	1			
19	06.88 - 04.90	80	1905	4	DDZ (XU9M)	CL114	1			coil 1xSAE / year
	04.90 - 12.94	80	1905	4	DDZ (XU9M)	CL107	1			coil 4xPIN / year
19	06.88 - 12.94	88	1905	4	DKZ (XU9JA)	CL114	1			
19 4x4	10.90 - 05.91	80	1905	4	DDZ (XU9M)	CL107	1			
C1 (PM_, PN_)										
1.0	06.05 -	50	998	3	1KR-FE	CL555	3	CP042	3	pencil
C1 II										
1.2 VTi 82	04.14 -	60	1199	3	HMT (EB2D)	CL157	3			pencil
C15 (VD_)										
1.0	10.84 - 12.97	33	954	4	XV8/TU9	CL108	1			
1.0 E	11.92 - 07.96	37	954	4	TU9K	CL108	1			
1.1	11.88 - 07.96	40	1124	4	H1A	CL108	1			
1.1 i	07.88 - 12.96	44	1124	4	HDZ (TU1M)	CL108	1			
1.3	07.87 - 05.88	47	1294	4	G1A	CL114	1			
1.4	07.87 - 12.96	49	1360	4	K1H (TU3A)	CL108	1			
1.4 E	07.87 - 12.96	40	1360	4	K3A	CL108	1			
1.4 E	05.87 - 12.96	44	1360	4	150D (XY7)	CL108	1			
1.4 i	05.91 - 12.96	55	1360	4	KDY (TU3FM)/KDY (TU3M)	CL108	1			
C15 Combi										
1.1	10.88 - 10.92	40	1124	4	HDZ (TU1M)	CL108	1			
1.1	08.88 - 07.96	44	1124	4	HDZ (TU1M)	CL108	1			
1.4	05.87 - 09.92	49	1360	4		CL108	1			
1.4	05.87 - 10.92	44	1360	4	150D (XY7)	CL108	1			
1.4	05.91 - 07.96	55	1360	4	KDY (TU3M)	CL108	1			
C2 (JM_)										
1.1	09.03 -	44	1124	4	HFX (TU1JP)	CL111	1	CP069	4	rail coil
1.4	09.03 -	54	1360	4	KFV (TU3JP)	CL111	1	CP069	4	1 st rail coil OEM No. 5970.78
						CL120	1	CP069	4	2 nd rail coil OEM No. 5970.90
1.4 16V	06.06 -	65	1360	4	KFU (ET3J4)	CL151	1			rail coil
1.6	09.03 -	80	1587	4	NFU (TU5JP4)	CL104	1	CP068	4	rail coil
1.6 VTS	01.05 -	90	1587	4	NFS (TU5JP4S)	CL104	1	CP068	4	rail coil
C3 I (FC_)										
1.1 i	02.02 -	44	1124	4	HFX (TU1A)/HFX (TU1JP)	CL111	1	CP069	4	rail coil
1.4 16V	12.03 -	65	1360	4	KFU (ET3J4)	CL111	1	CP069	4	1 st rail coil OEM No. 5970.78
						CL151	1			2 nd rail coil OEM No. 5970.85
1.4 i Bivalent	02.02 -	54	1360	4	KFV (TU3JP)	CL111	1	CP069	4	rail coil
1.6 16V	02.02 -	80	1587	4	NFU (TU5JP4)	CL104	1	CP068	4	rail coil
C3 II										
1.0 VTi 68	08.12 -	50	999	3	ZMZ (EB0)	CL157	3			pencil
1.1	11.09 -	44	1124	4	HFX (TU1JP)	CL120	1	CP069	4	rail coil
1.2 VTi 82	06.12 -	60	1199	3	HMZ (EB2F)	CL157	3			pencil
1.4	11.09 -	54	1360	4	KFT (TU3A)/KFV (TU3A)	CL120	1	CP069	4	rail coil
1.4 VTi 95	11.09 -	70	1397	4	8FP (EP3)	CL603	4			pencil
1.6 VTi 120	11.09 -	88	1598	4	5FS (EP6C)	CL603	4			pencil
C3 Picasso										
1.2 THP 110	01.15 -	81	1199	3	HNZ (EB2DT)	CL158	3			pencil
1.4 VTi 95	02.09 -	70	1397	4	8FS /8FN (EP3)/8FP (EP3)	CL603	4			pencil
1.6 VTi 120	02.09 -	88	1598	4	5FS (EP6C)/5FW (EP6)	CL603	4			pencil
C3 Pluriel (HB_)										
1.4	05.03 -	54	1360	4	KFV (TU3JP)	CL111	1	CP069	4	1 st rail coil OEM No. 5970.78
						CL120	1	CP069	4	2 nd rail coil OEM No. 5970.90
1.6	05.03 -	80	1587	4	NFU (TU5JP4)	CL104	1	CP068	4	rail coil
C4 AirCross										
1.6	04.12 -	86	1590	4	4A92	CL929	4			pencil
C4 Cactus										
1.2 THP 110	09.14 -	81	1199	3	HNZ (EB2DT)	CL158	3			pencil
1.2 VTi 75	09.14 -	55	1199	3	HMU (EB2D)	CL157	3			pencil
1.2 VTi 82	09.14 -	60	1199	3	HMZ (EB2F)	CL157	3			pencil
C4 Coupe (LA_)										
1.4 16V	11.04 - 07.11	65	1360	4	KFU (ET3J4)	CL151	1			rail coil
1.6 16V	11.04 - 07.11	80	1587	4	NFU (TU5JP4)	CL104	1	CP068	4	rail coil
1.6 THP 150	07.08 - 07.11	110	1598	4	5FX (EP6DT)	CL603	4			pencil
1.6 VTi 120	07.08 - 07.11	88	1598	4	5FW (EP6)	CL603	4			pencil
2.0 16V	11.04 - 07.07	100	1997	4	RFN (EW10J4)	CL112	1	CP073	4	rail coil
2.0 16V	11.04 - 12.10	130	1997	4	RFK (EW10J4S)	CL133	1	CP073	4	rail coil
C4 Grand Picasso I (UA_)										
1.6 16V	07.08 -	103	1598	4	5FT (EP6DT)	CL603	4			pencil



model	year	kW	cm ³	cyl	engine	coil	pcs	boot	pcs	info
CITROEN										
C4 Grand Picasso I (UA)										
1.6 16V	10.08 -	110	1598	4	5FX (EP6DT)	CL603	4			pencil
1.6THP 155	09.10 -	115	1598	4	5FV (EP6CDT)	CL603	4			pencil
1.6VTi 120	07.08 -	88	1598	4	5FW (EP6)	CL603	4			pencil
1.8i 16V	10.06 -	92	1749	4	6FY (EW7A)	CL138	1			rail coil
2.0i 16V	10.06 -	103	1997	4	RFJ (EW10A)	CL138	1			rail coil
C4 Grand Picasso II										
1.2THP 130	04.14 -	96	1199	3	HNY (EB2DTS)	CL158	3			pencil
1.6VTi 120	09.13 -	88	1598	4	5FS (EP6C)	CL603	4			pencil
C4 I (LC)										
1.4 16V	11.04 - 07.11	65	1360	4	KFU (ET3J4)	CL151	1			rail coil
1.6 16V	11.04 - 07.11	80	1587	4	NFU (TU5JP4)	CL104	1	CP068	4	rail coil
1.6 16V Bio-Flex	09.07 - 07.08	80	1587	4	NFU (TU5JP4)	CL104	1	CP068	4	rail coil
1.6THP 140	07.08 - 07.11	103	1598	4	5FT (EP6DT)	CL603	4			pencil
1.6THP 150	07.08 - 07.11	110	1598	4	5FX (EP6DT)	CL603	4			pencil
1.6VTi 120	07.08 - 07.11	88	1598	4	5FW (EP6)	CL603	4			pencil
2.0 16V	11.04 - 07.07	100	1997	4	RFN (EW10J4)	CL112	1	CP073	4	rail coil
2.0 16V	11.04 - 07.11	103	1997	4	RFJ (EW10A)	CL138	1			rail coil
2.0 16V	11.04 - 07.08	130	1997	4	RFK (EW10J4S)	CL133	1	CP073	4	rail coil
C4 II (B7)										
1.2THP 130	04.14 -	96	1199	3	HNY (EB2DTS)	CL158	3			pencil
1.4VTi 95	11.09 -	70	1397	4	8FP (EP3)	CL603	4			pencil
1.6THP 155	11.09 -	115	1598	4	5FV (EP6CDT)	CL603	4			pencil
1.6VTi 120	11.09 -	88	1598	4	5FS (EP6C)	CL603	4			pencil
1.6VTi 120 LPG	09.11 -	88	1598	4	5FS (EP6C)	CL603	4			pencil
C4 Picasso I (UD)										
1.6 16V	07.08 - 08.13	110	1598	4	5FX (EP6DT)	CL603	4			pencil
1.6THP 140	07.08 - 08.13	103	1598	4	5FT (EP6DT)	CL603	4			pencil
1.6THP 155	09.10 - 08.13	115	1598	4	5FV (EP6CDT)	CL603	4			pencil
1.6VTi 120	07.08 - 08.13	88	1598	4	5FW (EP6)	CL603	4			pencil
1.8i 16V	02.07 - 12.11	92	1749	4	6FY (EW7A)	CL138	1			rail coil
2.0i 16V	02.07 - 08.13	103	1997	4	RFJ (EW10A)	CL138	1			rail coil
C4 Picasso II										
1.2THP 130	04.14 -	96	1199	3	HNY (EB2DTS)	CL158	3			pencil
1.6VTi 120	02.13 -	88	1598	4	5FS (EP6C)	CL603	4			pencil
1.6THP 155	02.13 -	115	1598	4	5FV (EP6CDT)	CL603	4			pencil
C5 I (DC)										
1.8 16V	03.01 - 08.04	85	1749	4	6FZ (EW7J4)	CL112	1	CP073	4	rail coil
2.0 16V	03.01 - 08.04	100	1997	4	RFN (EW10J4)	CL112	1	CP073	4	1 st rail coil OEM No. 5970.75
						CL138	1			2 nd rail coil OEM No. 5970.87
3.0 V6	03.01 - 08.04	152	2946	6	XFX (ES9J4S)	CL135	6			pencil
C5 I Break (DE)										
1.8 16V	06.01 - 08.04	85	1749	4	6FZ (EW7J4)	CL112	1	CP073	4	rail coil
2.0 16V	06.01 - 08.04	100	1997	4	RFN (EW10J4)	CL112	1	CP073	4	1 st rail coil OEM No. 5970.75
						CL138	1			2 nd rail coil OEM No. 5970.87
3.0 Carlsson	09.03 - 08.04	173	2946	6		CL135	6			pencil
3.0 V6	06.01 - 08.04	152	2946	6	XFX (ES9J4S)	CL135	6			pencil
C5 II (RC)										
1.8 16V	09.05 -	92	1749	4	6FY (EW7A)	CL138	1			rail coil
1.8 16V	09.04 -	85	1749	4	6FZ (EW7J4)	CL112	1	CP073	4	rail coil
2.0 16V	09.04 -	103	1997	4	RFJ (EW10A)	CL138	1			rail coil
3.0 V6	09.04 -	152	2946	6	XFU (ES9A)/XFX (ES9J4S)	CL135	6			pencil
C5 II Break (RE)										
1.8 16V	09.05 -	92	1749	4	6FY (EW7A)	CL138	1			rail coil
1.8 16V	09.04 -	85	1749	4	6FZ (EW7J4)	CL112	1	CP073	4	rail coil
2.0 16V	09.04 -	103	1997	4	RFJ (EW10A)	CL138	1			rail coil
3.0 V6	09.04 -	152	2946	6	XFU (ES9A)	CL135	6			pencil
C5 III (RD)										
1.6THP 155	04.09 -	115	1598	4	5FV (EP6CDT)	CL603	4			pencil
1.6VTi 120	07.10 -	88	1598	4	5FS (EP6C)	CL603	4			pencil
1.8 16V	02.08 -	92	1749	4	6FY (EW7A)	CL138	1			rail coil
2.0 16V	02.08 -	103	1997	4	RFJ (EW10A)	CL138	1			rail coil
3.0 V6	02.08 -	155	2946	6	XFU (ES9A)	CL135	6			pencil
C5 III Break (TD)										
1.6THP 155	04.09 -	115	1598	4	5FV (EP6DT)	CL603	4			pencil
1.6VTi 120	07.10 -	88	1598	4	5FS (EP6C)	CL603	4			pencil
1.8 16V	02.08 -	92	1749	4	6FY (EW7A)	CL138	1			rail coil
2.0 16V	02.08 -	103	1997	4	RFJ (EW10A)	CL138	1			rail coil
3.0 V6	02.08 -	155	2946	6	XFU (ES9A)	CL135	6			pencil
C6 (TD)										
3.0 V6	09.05 -	155	2946	6	XFU (ES9A)/XFX (ES9J4S)	CL135	6			pencil

model	year	kW	cm ³	cyl	engine	coil	pcs	boot	pcs	info
CITROEN										
C8 (EA , EB)										
2.0	07.02 -	100	1997	4	RFN (EW10J4)	CL112	1	CP073	4	rail coil
2.0 16V	09.05 -	103	1997	4	RFJ (EW10A)	CL138	1			rail coil
2.2	07.02 -	116	2230	4	3FZ (EW12J4)	CL133	1	CP073	4	1 st rail coil OEM No. 5970.84
						CL139	1	CP073	4	2 nd rail coil OEM No. 5970.92
3.0 V6	07.02 -	150	2946	6	XFJ (ES9J4S)	CL135	6			pencil
C-Crosser (EP _)										
2.4 16V	08.08 -	125	2360	4	SFZ (4B12-MMC)	CL927	4			pencil
C-Crosser Enterprise										
2.4 16V	01.09 -	125	2360	4	4B12	CL927	4			pencil
C-Elysee										
1.2 VTi 72	11.12 -	53	1199	3	HMY (EB2M)	CL157	3			pencil
1.6 VTi 115	11.12 -	85	1587	4	NFP (EC5)	CL156	1			rail coil
DS3										
1.2 VTi 82	01.13 -	60	1199	3	HMZ (EB2F)	CL157	3			pencil
1.2 VTi 110	10.14 -	81	1199	3	HNZ (EB2DT)	CL157	3			pencil
1.4 VTi 95	04.10 -	70	1397	4	8FP (EP3)	CL603	4			pencil
1.4 VTi 98	11.09 -	72	1397	4	8FR (EP3)	CL603	4			pencil
1.6 THP 155	04.10 -	115	1598	4	5FV (EP6CDT)/5FR (EP6DT)	CL603	4			pencil
1.6 VTi 120	04.10 -	88	1598	4	5FS (EP6C)	CL603	4			pencil
DS3 Cabriolet										
1.2 VTi 82	01.13 -	60	1199	3	HMZ (EB2F)	CL157	3			pencil
1.2 VTi 110	10.14 -	81	1199	3	HNZ (EB2DT)	CL157	3			pencil
1.6 THP 150	01.13 -	110	1598	4	5FN (EP6CDT)	CL603	4			pencil
1.6 THP 155	01.13 -	115	1598	4	5FV (EP6CDT)	CL603	4			pencil
1.6 VTi 120	01.13 -	88	1598	4	5FS (EP6C)	CL603	4			pencil
DS4										
1.6 THP 155	04.11 -	115	1598	4	5FV (EP6CDT)	CL603	4			pencil
1.6 THP 200	04.11 -	147	1598	4	5FU (EP6DTX)	CL603	4			pencil
1.6 VTi 120	04.11 -	88	1598	4	5FS (EP6C)	CL603	4			pencil
1.6 THP 155	11.11 -	115	1598	4	5FV (EP6CDT)	CL603	4			pencil
1.6 THP 200	11.11 -	147	1598	4	5FU (EP6DTX)	CL603	4			pencil
Evasion (22, U6)										
1.8	05.97 - 07.02	73	1761	4	LFZ (XU7JP)	CL107	1			
2.0	06.94 - 07.02	89	1998	4	RFU (XU10J2/C)	CL107	1			
2.0 16V	05.98 - 04.00	97	1998	4	RFV (XU10J4R)	CL115	1			rail coil
2.0 16V	05.00 - 07.02	100	1997	4	RFN (EW10J4)	CL112	1	CP073	4	rail coil
2.0 Turbo C.T.	06.94 - 07.02	108	1998	4	RGX (XU10J2TE)	CL107	1			
Jumper Bus (230P)										
2.0	02.94 - 04.02	80	1998	4	RFW (XU10J2U)	CL107	1			
2.0 4x4	08.96 - 04.02	80	1998	4	RFW (XU10J2U)	CL107	1			
Jumper Bus (244, Z _)										
2.0	04.02 -	81	1998	4	XU10J2	CL107	1			
2.0 Bivalent	02.03 -	81	1998	4	XU10J2	CL107	1			
Jumper Flatbed (230)										
2.0	03.94 - 04.02	80	1998	4	RFW (XU10J2U)	CL107	1			
Jumper Van (230L)										
2.0	03.94 - 04.02	80	1998	4	RFW (XU10J2U)	CL107	1			
2.0 4x4	10.96 - 01.02	80	1998	4	RFW (XU10J2U)	CL107	1			
Jumper Van (244)										
2.0	04.02 -	81	1998	4	XU10J2	CL107	1			
2.0 Bivalent	02.03 -	81	1998	4	XU10J2	CL107	1			
Jumpy (U6U)										
1.6	10.95 -	58	1581	4	220 A2.000/1580 SPI	CL302	1			
2.0	04.00 - 12.06	100	1997	4	RFN (EW10J4)	CL112	1	CP073	4	rail coil
2.0 i 16V	03.00 -	102	1997	4		CL112	1	CP073	4	rail coil
Jumpy										
2.0 i	01.07 -	103	1997	4	RFH (EW10A)	CL138	1			rail coil
Jumpy Van (BS , BT , BY , BZ _)										
1.6 i	10.95 -	58	1581	4	220 A2.000/1580 SPI	CL302	1			
2.0 i 16V	03.00 -	102	1997	4	RFN (EW10J4)	CL112	1	CP073	4	rail coil
Jumpy Van										
2.0 i	01.07 -	103	1997	4	RFH (EW10A)	CL138	1			rail coil
Nemo Combi										
1.4	04.09 -	54	1360	4	KFT (TU3A)/KVF (TU3A)	CL120	1	CP069	4	rail coil
Nemo Van (AA _)										
1.4	02.08 -	54	1360	4	KFV (TU3A)	CL120	1	CP069	4	rail coil
Saxo (S0, S1)										
1.0 X	05.96 - 11.98	33	954	4	CDZ (TU9M)	CL107	1			
1.0 X	05.98 - 06.03	37	954	4	CDZ (TU9M)	CL107	1			
1.1 X,SX	05.96 - 09.03	40	1124	4	HDZ (TU1M)	CL111	1	CP069	4	rail coil
	05.97 - 09.03	40	1124	4	HDZ (TU1M)	CL107	1			coil 4xPIN / year



model	year	kW	cm ³	cyl	engine	coil	pcs	boot	pcs	info
-------	------	----	-----------------	-----	--------	------	-----	------	-----	------

CITROEN

Saxo (S0, S1)

1.1 X,SX	05.96 - 08.00	44	1124	4	HDZ (TU1M)	CL107	1			coil 4xPIN / year
	09.00 - 09.03	44	1124	4	HFX (TU1JP)	CL111	1	CP069	4	rail coil / year
1.4VTS	05.96 - 01.98	55	1360	4	KFX (TU3JP)/KFW (TU3JP)	CL107	1			coil 4xPIN / year
	02.98 - 05.00	55	1360	4	KFX (TU3JP)/KFW (TU3JP)	CL110	1	CP069	4	rail coil / year
	06.00 - 06.03	55	1360	4	KFX (TU3JP)/KFW (TU3JP)	CL111	1	CP069	4	rail coil / year
1.6	02.96 - 06.98	66	1587	4	NFZ (TU5JP)	CL107	1			coil 4xPIN / year
	06.98 - 06.03	66	1587	4	NFZ (TU5JP)	CL111	1	CP069	4	rail coil / year
1.6	02.01 - 04.04	74	1587	4	NFT	CL107	1			coil 4xPIN
						CL111	1	CP069	4	rail coil
						CL107	1			coil 4xPIN
1.6	02.96 - 04.04	88	1587	4	NFX (TU5JP4)	CL107	1			coil 4xPIN
						CL141	1	CP073	4	rail coil
						CL107	1			coil 4xPIN / year
1.6VTL,VTR	05.96 - 05.98	65	1587	4	NFZ (TU5JP)	CL110	1	CP069	4	rail coil / year
	06.98 - 06.03	65	1587	4	NFZ (TU5JP)	CL107	1			coil 4xPIN
1.6VTS	09.00 - 09.03	72	1587	4	NFT	CL107	1			coil 4xPIN
						CL111	1	CP069	4	rail coil
						CL107	1			coil 4xPIN
1.6VTS	06.96 - 09.03	87	1587	4	NFX (TU5JP4)	CL107	1			coil 4xPIN
						CL111	1	CP069	4	1 st rail coil OEM No. 5970.78
						CL127	1	CP073	4	2 nd rail coil OEM No. 5970.56
						CL141	1	CP073	4	3 rd rail coil OEM No. 5970.81

Xantia (X1)

1.6 i	03.93 - 01.98	65	1580	4	BFZ (XU5JP)	CL107	1			
1.8 i	04.97 - 01.98	66	1761	4	LFX (XU7JB)	CL107	1			
1.8 i	03.93 - 01.98	74	1761	4	LFZ (XU7JP)	CL107	1			
1.8 i 16V	06.95 - 01.98	81	1761	4	LFY (XU7JP4)	CL107	1			coil 4xPIN
	08.97 - 01.98	81	1761	4	LFY (XU7JP4)	CL115	1			rail coil / year
2.0 i	03.93 - 01.98	89	1998	4	RFX (XU10J2C)	CL107	1			
2.0 i 16V	06.95 - 01.98	97	1998	4	RFV (XU10J4R)	CL107	1			coil 4xPIN
	06.95 - 09.97	97	1998	4	RFV (XU10J4R)	CL113	1			1 st rail coil / year
	09.97 - 01.98	97	1998	4	RFV (XU10J4R)	CL115	1			2 nd rail coil / year
2.0 i 16V	03.93 - 01.98	112	1998	4	RFY (XU10J4/Z)	CL105	4			pencil
						CL107	1			coil 4xPIN
2.0 i 16V	06.94 - 01.98	110	1998	4	RFT (XU10J4/Z)	CL105	4			pencil
						CL107	1			coil 4xPIN
2.0 Turbo	06.95 - 01.98	108	1998	4	RGX (XU10J2TE)	CL107	1			
3.0 i 24V	01.97 - 01.98	140	2946	6	XFZ (ES9J4)	CL140	1			rail coil for 3 cylinders

Xantia (X2)

1.8 i	01.98 - 04.03	66	1761	4	LFX (XU7JB)	CL107	1			
1.8 i 16V	01.98 - 04.03	81	1761	4	LFY (XU7JP4)	CL115	1			rail coil
2.0 i	01.98 - 04.03	89	1998	4	RFX (XU10J2C)	CL107	1			
2.0 i 16V	01.98 - 04.03	97	1998	4	RFV (XU10J4R)	CL115	1			rail coil
2.0 Turbo	01.98 - 04.03	108	1998	4	RGX (XU10J2TE)	CL107	1			
3.0 V6	01.98 - 04.03	140	2946	6	XFZ (ES9J4)	CL140	1			rail coil for 3 cylinders

Xantia Break (X1)

1.8 i	04.97 - 01.98	66	1761	4	LFX (XU7JB)	CL107	1			
1.8 i	06.95 - 01.98	74	1761	4	LFZ (XU7JP)	CL107	1			
1.8 i 16V	06.95 - 01.98	81	1761	4	LFY (XU7JP4)	CL107	1			coil 4xPIN
	07.97 - 01.98	81	1761	4	LFY (XU7JP4)	CL115	1			rail coil / year
2.0 i	06.95 - 01.98	89	1998	4	RFX (XU10J2C)	CL107	1			
2.0 i 16V	06.95 - 01.98	97	1998	4	RFV (XU10J4R)	CL107	1			coil 4xPIN
	06.95 - 09.97	97	1998	4	RFV (XU10J4R)	CL113	1			1 st rail coil / year
	09.97 - 01.98	97	1998	4	RFV (XU10J4R)	CL115	1			2 nd rail coil / year
2.0 Turbo	06.95 - 01.98	108	1998	4	RGX (XU10J2TE)	CL107	1			

Xantia Break (X2)

1.8 i	01.98 - 04.03	66	1761	4	LFX (XU7JB)	CL107	1			
1.8 i 16V	01.98 - 04.03	81	1761	4	LFY (XU7JP4)	CL115	1			rail coil
2.0 i	01.98 - 04.03	89	1998	4	RFX (XU10J2C)	CL107	1			
2.0 i 16V	01.98 - 04.03	97	1998	4	RFV (XU10J4R)	CL115	1			rail coil
2.0 Turbo	01.98 - 04.03	108	1998	4	RGX (XU10J2TE)	CL107	1			
3.0 V6	01.98 - 04.03	140	2946	6	XFZ (ES9J4)	CL140	1			rail coil for 3 cylinders

XM (Y3)

2.0	05.89 - 04.94	84	1998	4		CL129	1			
2.0 i	05.89 - 04.94	79	1998	4	RDZ (XU10MZ)	CL129	1			
2.0 i	05.89 - 06.94	89	1998	4	RFZ (XU10J2)	CL107	1			
2.0 i Turbo	09.92 - 06.94	104	1998	4	RGY (XU10J2TE/Z)	CL107	1			

XM (Y4)

2.0 i 16V	05.94 - 10.00	97	1998	4	RFV (XU10J4R)	CL107	1			coil 4xPIN
	07.94 - 10.00	97	1998	4	RFV (XU10J4R)	CL113	1			1 st rail coil / year
	09.97 - 10.00	97	1998	4	RFV (XU10J4R)	CL115	1			2 nd rail coil / year
2.0 Turbo	05.94 - 10.00	108	1998	4	RGX (XU10J2TE)	CL107	1			
3.0 V6	04.97 - 10.00	140	2946	6	XFZ (ES9J4)	CL140	1			rail coil for 3 cylinders

model	year	kW	cm ³	cyl	engine	coil	pcs	boot	pcs	info
CITROEN										
XM Break (Y3)										
2.0	10.91 - 07.94	85	1998	4		CL129	1			
2.0 i	11.91 - 04.94	79	1998	4	RDZ (XU10MZ)/XU102C	CL129	1			
2.0 i	11.91 - 04.94	89	1998	4	RFZ (XU10J2)	CL107	1			
2.0 Turbo	09.92 - 04.94	104	1998	4	RGY (XU10J2TE/Z)	CL107	1			
XM Break (Y4)										
2.0 i 16V	05.94 - 10.00	97	1998	4	RFV (XU10J4R)	CL107	1			coil 4xPIN
	07.94 - 10.00	97	1998	4	RFV (XU10J4R)	CL113	1			1 st rail coil / year
	09.97 - 10.00	97	1998	4	RFV (XU10J4R)	CL115	1			2 nd rail coil / year
2.0 Turbo	05.94 - 10.00	108	1998	4	RGX / RGY	CL107	1			
3.0 V6	04.97 - 10.00	140	2946	6	XFZ (ES9J4)	CL140	1			rail coil for 3 cylinders
Xsara (N1)										
1.4 i	04.97 - 03.05	55	1360	4	KFX (TU3JP)	CL107	1			coil 4xPIN
						CL110	1	CP069	4	1 st rail coil OEM No. 5970.72
						CL111	1	CP069	4	2 nd rail coil OEM No. 5970.78
1.6 16V	09.00 - 03.05	80	1587	4	NFU (TU5JP4)	CL104	1	CP068	4	rail coil
1.6 i	04.97 - 09.00	65	1587	4	NFZ (TU5JP)	CL107	1			coil 4xPIN
						CL110	1	CP069	4	rail coil
1.8 i	04.97 - 09.00	66	1761	4	LFX (XU7JB)	CL107	1			
1.8 i 16V	04.97 - 09.00	81	1761	4	LFY (XU7JP4)	CL107	1			coil 4xPIN
						CL115	1			rail coil
1.8 i Aut.	04.97 - 09.00	74	1761	4	LFZ (XU7JP)	CL107	1			
2.0 16V	07.98 - 09.00	97	1998	4	RFV (XU10J4R)	CL107	1			coil 4xPIN
						CL115	1			rail coil
2.0 16V	09.00 - 03.05	100	1997	4	RFN (EW10J4)	CL112	1	CP073	4	rail coil
2.0 16V	04.97 - 09.00	120	1998	4	RFS (XU10J4RS)	CL132	4			pencil
Xsara Break (N2)										
1.4 i	10.97 - 08.05	55	1360	4	KFX (TU3JP)	CL107	1			coil 4xPIN
						CL110	1	CP069	4	1 st rail coil OEM No. 5970.72
						CL111	1	CP069	4	2 nd rail coil OEM No. 5970.78
1.6 16V	09.00 - 08.05	80	1587	4	NFU (TU5JP4)	CL104	1	CP068	4	rail coil
1.6 i	10.97 - 09.00	65	1587	4	NFZ (TU5JP)	CL107	1			coil 4xPIN
						CL110	1	CP069	4	rail coil
1.8 i	10.97 - 09.00	66	1761	4	LFX (XU7JB)	CL107	1			
1.8 i 16V	10.97 - 09.00	81	1761	4	LFY (XU7JP4)	CL107	1			coil 4xPIN
						CL115	1			rail coil
1.8 i Aut.	10.97 - 09.00	74	1761	4	LFZ (XU7JP)	CL107	1			
2.0 16V	07.98 - 09.00	97	1998	4	RFV (XU10J4R)	CL107	1			coil 4xPIN
						CL115	1			rail coil
2.0 16V	09.00 - 08.05	100	1997	4	RFN (EW10J4)	CL112	1	CP073	4	rail coil
Xsara Coupe (N0)										
1.4 i	03.98 - 03.05	55	1360	4	KFX (TU3JP)	CL107	1			coil 4xPIN
						CL110	1	CP069	4	1 st rail coil OEM No. 5970.72
						CL111	1	CP069	4	2 nd rail coil OEM No. 5970.78
1.6 16V	09.00 - 03.05	80	1587	4	NFU (TU5JP4)	CL104	1	CP068	4	rail coil
1.6 i	02.98 - 09.00	65	1587	4	NFZ (TU5JP)	CL107	1			
1.8 i	02.98 - 09.00	66	1761	4	LFX (XU7JB)	CL107	1			
1.8 i	02.98 - 09.00	74	1761	4	LFZ (XU7JP)	CL107	1			
1.8 i 16V	02.98 - 09.00	81	1761	4	LFY (XU7JP4)	CL107	1			coil 4xPIN
						CL115	1			rail coil
2.0 16V	09.00 - 03.05	100	1997	4	RFN (EW10J4)	CL112	1	CP073	4	rail coil
2.0 i 16V	02.98 - 03.05	120	1998	4	RFS (XU10J4RS)	CL132	4			pencil
Xsara Picasso (N68)										
1.6	12.99 -	65	1587	4	NFZ (TU5JP)	CL107	1			
1.6 16V	09.05 -	80	1587	4	NFU (TU5JP4)	CL104	1	CP068	4	rail coil
1.8 16V	02.00 -	85	1749	4	6FZ (EW7J4)	CL112	1	CP073	4	rail coil
2.0 16V	01.03 -	100	1997	4	RFN (EW10J4)	CL112	1	CP073	4	rail coil
ZX (N2)										
1.1	03.91 - 08.93	40	1124	4	H1A/H1B	CL109	1			
1.1	03.91 - 06.97	44	1124	4	HDZ (TU1M)	CL109	1			
1.4	03.91 - 06.97	55	1360	4	KDZ (TU3M/Z)	CL109	1			coil 1xSAE
1.4 i	03.91 - 06.97	55	1360	4	KDZ (TU3M/Z)/KFX/KDX	CL106	1			coil 4xPIN
						CL109	1			coil 1xSAE
1.4 i	03.91 - 06.97	55	1360	4	KDZ (TU3M/Z)/KFX/KDX	CL106	1			coil 4xPIN
						CL109	1			coil 1xSAE
1.6	07.94 - 10.97	66	1580	4		CL107	1			
1.6 i	03.91 - 06.97	65	1580	4	BFZ (XU5JP)/BDY (XU5M)	CL107	1			
1.8	07.94 - 10.97	76	1761	4	LFZ (XU7JP)	CL107	1			
1.8 i	07.92 - 06.97	74	1761	4	LFZ (XU7JP)	CL107	1			
1.8 i 16V	01.96 - 06.97	81	1761	4	LFY (XU7JP4)	CL107	1			
1.9	03.91 - 06.97	93	1905	4	D6E (XU9JA)	CL107	1			
1.9	03.91 - 09.93	96	1905	4		CL107	1			



model	year	kW	cm ³	cyl	engine	coil	pcs	boot	pcs	info
CITROEN										
ZX (N2)										
1.9i	03.91 - 06.97	88	1905	4	DKZ (XU9JA)	CL109	1			coil 1xSAE
						CL107	1			coil 4xPIN
2.0	07.94 - 10.97	90	1998	4	RFX (XU10J2C)	CL107	1			
2.0i	07.92 - 06.97	89	1998	4	RFX (XU10J2C)	CL107	1			
2.0i 16V	06.94 - 06.97	110	1998	4	RFT (XU10J4/Z)	CL107	1			coil 4xPIN
						CL105	4			pencil / connector with 3 pins
						CL132	4			pencil / connector with 2 pins
2.0i 16V	07.92 - 10.94	112	1998	4	RFT / RFY (XU10J4/Z)	CL105	4			pencil
						CL107	1			coil 4xPIN
2.0i 16V	05.96 - 06.97	120	1998	4	RFS (XU10J4RS)	CL105	4			pencil / connector with 3 pins
						CL132	4			pencil / connector with 2 pins
ZX Break (N2)										
1.4i	10.93 - 10.97	55	1360	4	KFX/KDX/KDY	CL106	1			coil 4xPIN
						CL109	1			coil 1xSAE
1.6i	10.93 - 10.97	65	1580	4	BFZ (XU5JP)/BDY (XU5M)	CL107	1			
1.8i	10.93 - 10.97	74	1761	4	LFZ (XU7JP)	CL107	1			
1.8i 16V	01.96 - 02.98	81	1761	4	LFY (XU7JP4)	CL107	1			
DACIA										
Dokker										
1.2TCe	11.12 -	85	1197	4	H5F 402	CL155	4			pencil
1.6	11.12 -	61	1598	4	K7M 812/K7M 828	CL116	1			
1.6 LPG	11.13 -	61	1598	4	K7M 812/K7M 828	CL116	1			
Dokker Express										
1.2TCe 115	12.12 -	84	1198	4	H5F 402	CL155	4			pencil
1.6 16V	12.12 -	61	1598	4	K7M 812/K7M 828	CL116	1			
1.6 LPG	11.13 -	61	1598	4	K7M 812/K7M 828	CL116	1			
Duster										
1.2TCe 125	10.13 -	92	1197	4	H5F 404	CL155	4			pencil
1.6 16V	04.10 -	77	1598	4	K4M 696/K4M 690	CL100	4			pencil
1.6 16V 4x4	06.10 -	77	1598	4	K4M 606	CL100	4			pencil
1.6 16V LPG	04.11 -	77	1598	4	K4M 696	CL100	4			pencil
Lodgy										
1.6	03.12 -	61	1598	4	K7M 812/K7M 828	CL116	1			
1.2TCe	03.12 -	85	1197	4	H5F 402	CL155	4			pencil
1.6 LPG	11.13 -	61	1598	4	K7M 812/K7M 828	CL116	1			
Logan (LS_)										
1.2 16V	02.06 -	55	1149	4	D4F 732	CL150	1			
1.4	09.04 -	55	1390	4	K7J 710	CL116	1			coil 4xPIN
						CL117	1			coil with ignition cables
1.4 MPI LPG	02.06 -	55	1390	4	K7J 714/K7J 710	CL116	1			
1.6	09.04 -	64	1598	4	K7M 710	CL116	1			
1.6 16V (LSOM)	02.06 -	77	1598	4	K4M 696/K4M 690	CL100	4			pencil
1.6 BiFuel	05.10 -	62	1598	4	K7M 718	CL116	1			
1.6 MPI 85	05.10 -	62	1598	4	K7M 800	CL116	1			
Logan Express (FS_)										
1.4	03.09 -	55	1390	4	K7J 710	CL116	1			
1.6	03.09 -	64	1598	4	K7M 710	CL116	1			
1.6 MPI 85	05.10 -	62	1598	4	K7M 800	CL116	1			
Logan II										
0.9TCe 90	10.12 -	66	898	3	H4B 400	CL155	3			pencil
1.2	05.15 -	54	1149	4		CL150	1			
1.2	10.12 -	55	1149	4	D4F 732	CL150	1			
1.2 LPG	10.12 -	55	1149	4	D4F 734	CL150	1			
Logan MCV (KS_)										
1.4	02.07 -	55	1390	4	K7J 710	CL116	1			
1.6	02.07 -	64	1598	4	K7M 710	CL116	1			
1.6 16V	02.07 -	77	1598	4	K4M 696/K4M 690	CL100	4			pencil
1.6 16V Hi-Flex	11.09 -	77	1598	4	K4M 694/K4M 690	CL100	4			pencil
1.6 BiFuel	11.08 -	64	1598	4	K7M 710	CL116	1			
1.6 MPI 85	05.10 -	62	1598	4	K7M 800	CL116	1			
Logan MCV II										
0.9TCe 90	02.13 -	66	898	3	H4B 400	CL155	3			pencil
1.2	05.15 -	54	1149	4		CL150	1			
1.2	02.13 -	55	1149	4	D4F 732	CL150	1			
1.2 LPG	02.13 -	55	1149	4	D4F 734	CL150	1			
Logan Pick-up (US_)										
1.4	01.09 -	55	1390	4	K7J 710	CL116	1			
1.6	03.08 -	64	1598	4	K7M 710	CL116	1			
1.6 BiFuel	05.10 -	62	1598	4	K7M 800	CL116	1			
1.6 MPI 85	05.10 -	62	1598	4	K7M 800	CL116	1			

model	year	kW	cm ³	cyl	engine	coil	pcs	boot	pcs	info
DACIA										
Sandero										
1.2 16V	11.08 -	55	1149	4	D4F 732	CL150	1			
1.2 16V LPG	11.08 -	55	1149	4	D4F 732	CL150	1			
1.4	06.08 -	55	1390	4	K7J 710	CL116	1			
1.4 MPI LPG	01.09 -	53	1390	4	K7J 714	CL116	1			
1.6	06.08 -	64	1598	4	K7M 710	CL116	1			
1.6 MPI 85	05.10 -	62	1598	4	K7M 800	CL116	1			
Sandero II										
0.9 TCe 90	10.12 -	66	898	3	H4B 400	CL155	3			pencil
1.2	05.15 -	54	1149	4		CL150	1			
1.2	10.12 -	55	1149	4	D4F 732	CL150	1			
1.2 LPG	10.12 -	55	1149	4		CL150	1			
1.6	11.12 -	61	1598	4	K7M 812	CL116	1			
1.6 16V	01.13 -	77	1598	4	K4M 694/K4M 845/K4M 842	CL100	4			pencil
Solenza										
1.4	02.03 -	55	1390	4	K7J 710	CL116	1			
DAEWOO										
Aranos										
1.5	01.95 - 11.97	66	1498	4	V15L	CL211	1			
1.8	01.95 - 11.97	70	1796	4	Y18L	CL211	1			
2.0	01.95 - 11.97	77	1998	4	C20LE	CL211	1			
Cielo										
1.5	04.95 - 07.97	55	1498	4	Y15L	CL211	1			
Cielo (KLETN)										
1.5	08.96 - 08.97	44	1498	4	G15MF	CL211	1			
1.5	02.95 - 08.97	52	1498	4	G15MF	CL211	1			
1.5	02.95 - 08.97	55	1498	4	G15MF	CL211	1			
1.5 16V	02.95 - 08.97	66	1498	4	A15MF	CL211	1			
Cielo Sedan (KLETN)										
1.5	08.96 - 08.97	44	1498	4	G15MF	CL211	1			
1.5	02.95 - 08.97	52	1498	4	G15MF	CL211	1			
1.5	02.95 - 08.97	55	1498	4	G15MF	CL211	1			
1.5 16V	02.95 - 08.97	66	1498	4	A15MF	CL211	1			
Espero (KLEJ)										
1.5 16V	02.95 - 06.99	66	1498	4	A15MF	CL211	1			
1.5 16V	10.93 - 09.94	65	1498	4	A15MF	CL211	1			
1.8	02.95 - 09.99	66	1796	4	C18LE	CL211	1			
1.8	02.95 - 06.99	70	1796	4	C18LE	CL211	1			
2.0	02.95 - 06.99	77	1998	4	C20LE	CL211	1			
2.0	10.91 - 09.93	74	1998	4	C20LZ	CL211	1			
2.0	10.93 - 09.94	81	1998	4	C20LE	CL211	1			
Evanda (KLAL)										
2.0	08.02 -	96	1998	4	L88/X 20 SED	CL220	1			
Kalos (KLAS)										
1.2	04.03 -	53	1150	4	B12S1	CL220	1			
1.4	09.02 -	61	1399	4	F14S3	CL220	1			
1.4 16V	04.03 -	69	1399	4	F14D3	CL220	1			
Kalos Sedan (KLAS)										
1.4	11.02 - 12.04	61	1399	4	F14S3	CL220	1			
1.4	05.03 - 12.04	69	1399	4	F14D3	CL220	1			
Korando (KJ)										
2.3	01.99 -	105	2295	4	M 161.970	CL606	2	CP004	2	semidirect / pencil
3.2 4x4	01.99 -	156	3199	6	M 104.995	CL606	3	CP004	3	semidirect / pencil
Korando Cabrio (KJ)										
2.0 16V	02.99 -	94	1998	4	M 161.950	CL606	2	CP004	2	semidirect / pencil
2.3	02.99 -	105	2295	4	M 161.970	CL606	2	CP004	2	semidirect / pencil
Lacetti CC (KLAN)										
1.4	02.04 -	70	1399	4	F14D3	CL220	1			
1.6	02.04 -	80	1598	4	F16D3	CL225	1			
1.8	02.04 -	90	1799	4	T18SED	CL220	1			
Lacetti Sedan (J200)										
1.8 CDX	08.03 - 12.04	90	1799	4	T18SED	CL220	1			
Lanos (KLAT)										
1.4	05.97 -	55	1349	4	A14SMS	CL201	1			
1.5	05.97 -	63	1498	4	A15SMS	CL201	1			connector with 4 pins
						CL220	1			connector with 3 pins
1.6 16V	05.97 -	78	1598	4	A16DMS	CL201	1			
Lanos Sedan (KLAT)										
1.4	05.97 -	55	1349	4	A14SMS	CL201	1			
1.5	05.97 -	63	1498	4	A15SMS	CL201	1			
1.6 16V	05.97 -	78	1598	4	A16DMS	CL201	1			

model	year	kW	cm ³	cyl	engine	coil	pcs	boot	pcs	info
DAEWOO										
Leganza (KLAV)										
2.0 16V	06.97 - 12.02	98	1998	4	X 20 SED	CL201	1			
2.0 16V	07.00 - 04.04	93	1998	4	T20SED	CL201	1			
2.2 16V	04.99 - 12.02	100	2198	4	T22SED	CL201	1			
Matiz (KLYA)										
0.8	09.98 - 12.01	38	796	3	F8CV	CL204	1			coil 1xDIN / year
	01.02 -	38	796	3	F8CV	CL216	1			coil 3xSAE / year
1.0	01.03 -	47	995	4	B10S	CL220	1			
Musso (FJ)										
2.3	01.99 -	103	2295	4	M 111.970	CL606	2	CP004	2	semidirect / pencil
3.2 4x4	01.99 -	162	3199	6	M 104.992	CL606	3	CP004	3	semidirect / pencil
Nexia Sedan										
1.5	07.08 -	59	1498	4	Y15L	CL201	1			
1.6	07.08 -	80	1598	4	F16D3	CL211	1			
						CL225	1			UZ Daewoo Nexia New
Nubira (KLAJ)										
1.6 16V	05.97 -	78	1598	4	A16DMS	CL201	1			
2.0 16V	05.97 -	98	1998	4	X 20 SED/Z20L	CL201	1			
Nubira Sedan (KLAJ)										
1.6 16V	05.97 -	78	1598	4	A16DMS	CL201	1			
1.6 16V	07.00 -	76	1598	4	A16DMS	CL201	1			
2.0	06.99 - 07.03	81	1998	4	C20SED	CL220	1			
2.0 16V	12.00 -	93	1998	4	T20SED	CL201	1			
2.0 16V	05.97 -	98	1998	4	X 20 SED	CL201	1			
Nubira Sedan (KLAN)										
1.6	07.03 -	80	1598	4	F16D3	CL225	1			
1.8	07.03 -	90	1799	4	T18SED	CL220	1			
Nubira Wagon (KLAJ)										
1.6 16V	06.97 -	66	1598	4	A16SMS	CL201	1			
1.6 16V	12.00 -	76	1598	4	A16DMS	CL201	1			
1.6 16V	05.97 -	78	1598	4	A16DMS	CL201	1			
2.0 16V	12.00 -	93	1998	4	T20SED	CL201	1			
2.0 16V	05.97 -	98	1998	4	X 20 SED	CL201	1			
Nubira Wagon (KLAN)										
1.6	07.03 -	80	1598	4	F16D3	CL225	1			
1.8	07.03 -	90	1799	4	T18SED	CL220	1			
Rexton (GAB_)										
3.2 V6	04.02 -	162	3199	6	M 162.992	CL606	3	CP004	3	semidirect / pencil
Tacuma / Rezzo (KLAU)										
1.6	09.00 -	77	1598	4	A16DMS	CL220	1			
1.8	09.00 -	67	1761	4	F18D2	CL220	1			
1.8	09.00 -	72	1761	4	A18DMS	CL220	1			
1.8	09.00 -	74	1761	4	F18S2	CL220	1			
2.0	09.01 -	89	1998	4	X 20 SED	CL220	1			
2.0	09.00 -	94	1998	4	T20SED	CL220	1			
Tico (KLY3)										
0.8	02.95 - 12.00	35	796	3	F8C	CL231	1			
0.8	01.96 - 12.00	38	796	3	F8CV	CL231	1			
DAIHATSU										
Applause I (A101, A111)										
1.6 16V	06.89 - 07.97	66	1590	4	HD	CL563	1			
1.6 16V	06.89 - 07.97	77	1590	4	HD-E	CL907	1			
1.6 16V 4WD	06.89 - 07.97	77	1590	4	HD-E	CL907	1			
Copen										
1.3	03.06 -	64	1298	4	K3-VE	CL587	4			pencil
Cuore II (L80, L81)										
0.8	11.89 - 12.90	29	847	3	ED 10	CL563	1			
0.8	09.85 - 06.90	32	847	3	ED 10	CL563	1			
0.8 4WD	09.86 - 10.88	32	847	3	ED 10	CL563	1			
Cuore VI (L7_)										
1.0i	10.98 - 05.03	41	989	3	EJ-DE/EJ-VE	CL922	3			pencil
Cuore VIII										
1.0	04.07 -	51	998	3	1KR-FE	CL555	3	CP042	3	pencil
Extol Bus (S22_ , S23_)										
1.3	07.00 -	63	1298	4	K3-VE	CL587	4			pencil
Feroza Hard Top (F300)										
1.6 16V	10.88 - 12.99	63	1590	4	HDC	CL563	1			year
	06.92 - 12.99	63	1590	4	HDC	CL907	1			year
1.6 i 16V 4x4	10.88 - 12.99	70	1590	4	HD-E	CL563	1			year
	01.90 - 12.99	70	1590	4	HD-E	CL907	1			year

model	year	kW	cm ³	cyl	engine	coil	pcs	boot	pcs	info
DAIHATSU										
Feroza Soft Top (F300)										
1.6 16V	10.88 - 06.92	63	1590	4	HDC	CL563	1			year
	06.92 - 12.99	63	1590	4	HDC	CL907	1			year
1.6 i 16V	10.88 - 06.90	70	1590	4	HD-E	CL563	1			year
	06.90 - 12.99	70	1590	4	HD-E	CL907	1			year
Charade III (G100, G101, G102)										
1.0	03.87 - 12.92	38	993	3	CB 23	CL563	1			
1.0	11.90 - 12.92	40	993	3	CB 90	CL563	1			
1.0	04.89 - 12.92	41	993	3	CB 90	CL563	1			
1.0 GTi	03.87 - 12.92	74	993	3	CB 80 T	CL563	1			
1.0 Turbo	03.87 - 10.90	50	993	3	CB 61	CL563	1			
1.3 i	06.88 - 12.92	66	1296	4	HCE	CL563	1			
1.3 i 4WD	06.88 - 01.93	66	1296	4	HCE	CL563	1			
Charade III Sedan (G102)										
1.3	11.90 - 02.93	66	1296	4	HCE	CL563	1			
Charade IV (G200, G202)										
1.3	09.96 - 11.99	44	1296	4	HC	CL563	1			
1.3 16V	05.96 - 11.99	55	1296	4	HCE	CL563	1			
1.3 i 16V	01.93 - 09.00	62	1296	4	HCE/HC	CL563	1			
Materia (M4_)										
1.3	10.06 -	67	1298	4	K3-VE	CL587	4			pencil
1.5	10.06 -	76	1495	4	3SZ-VE	CL587	4			pencil
1.5 Eco 4WD	10.06 -	76	1495	4	3SZ-VE	CL587	4			pencil
Sirion (M1)										
1.0 i	04.98 - 09.00	41	989	3	EJ-DE	CL922	3			pencil
1.0 i 4WD	04.99 - 09.00	41	989	3	EJ-DE	CL922	3			pencil
1.3 Sport	08.00 - 01.05	75	1298	4	K3-VE2	CL587	4			pencil
1.3 Sport 4WD	08.00 - 03.05	75	1298	4	K3-VE2	CL587	4			pencil
Sirion (M3_)										
1.3	01.05 -	64	1298	4	K3-VE	CL587	4			pencil
1.3	03.08 -	67	1298	4	K3-VE	CL587	4			pencil
1.3 4WD	04.05 -	64	1298	4	K3-VE	CL587	4			pencil
1.3 4WD	03.08 -	67	1298	4	K3-VE	CL587	4			pencil
1.5	03.08 -	76	1495	4	3SZ-VE	CL587	4			pencil
Terios (J1)										
1.3	09.01 - 10.05	63	1298	4	K3-VE	CL587	4			pencil
1.3 4WD	10.00 - 10.05	63	1298	4	K3-VE	CL587	4			pencil
Terios (J2_)										
1.5 4x4	05.06 -	77	1495	4	3SZ-VE	CL587	4			pencil
1.5 VVT-i	11.05 -	77	1495	4	3SZ-VE	CL587	4			pencil
YRV (M2)										
1.3	02.01 -	64	1298	4	K3-VE	CL587	4			pencil
1.3 4WD	02.01 -	64	1298	4	K3-VE	CL587	4			pencil
1.3 GTi	07.02 -	95	1298	4	K3-VET	CL587	4			pencil
FIAT										
126										
650	07.77 - 09.87	17	652	2	126 A1.000/126 A1.048	CL316	1			twin coil
700	09.87 - 06.96	19	704	2	126 A2.000/126 A2.048	CL316	1			twin coil
500 (312)										
0.9	12.13 -	44	964	2	312 A4.000/312 A6.000	CL310	2	CP072	2	pencil
0.9	09.12 -	48	964	2	312 A4.000	CL310	2	CP072	2	pencil
0.9	07.10 -	63	875	2	312 A2.000	CL325	2			pencil
1.2	10.07 -	51	1242	4	169 A4.000	CL309	1			
1.2 LPG	12.10 -	51	1242	4	169 A4.000	CL309	1			
1.4	10.07 -	74	1368	4	169 A3.000	CL310	4	CP072	4	pencil
1.4 Abarth	08.08 -	132	1368	4	312 A3.000	CL324	4			pencil
1.4 Abarth	08.08 -	139	1368	4	312 A1.000	CL324	4			pencil
1.4 Abarth	08.08 -	99	1368	4	312 A1.000	CL323	4			pencil
1.4 Abarth	08.08 -	118	1368	4	312 A1.000	CL324	4			pencil
500 C (312)										
0.9	09.12 -	48	964	2	312 A4.000	CL310	2	CP072	2	pencil
0.9	09.09 -	63	875	2	312 A2.000	CL325	2			pencil
1.2	09.09 -	51	1242	4	169 A4.000	CL309	1			
1.4	09.09 -	74	1368	4	169 A3.000	CL310	4	CP072	4	pencil
1.4	09.11 -	75	1368	4	169 A3.000	CL310	4	CP072	4	pencil
500L										
0.9 Natural Power	03.13 -	63	875	2	312 A2.000	CL325	2			pencil
1.4	09.12 -	70	1368	4	843 A1.000	CL310	4	CP072	4	pencil
500X										
1.4	09.14 -	103	1368	4	55263624	CL326	4			pencil
1.4	09.14 -	100	1368	4	55263624	CL326	4			pencil
1.4 4x4	02.15 -	120	1368	4	55263623	CL326	4			pencil



model	year	kW	cm ³	cyl	engine	coil	pcs	boot	pcs	info
FIAT										
500X										
1.4 4x4	02.15 -	125	1368	4	55263623	CL326	4			pencil
Barchetta (183)										
1.8 16V	04.95 - 07.99	96	1747	4	183 A1.000/188 A6.000	CL314	4			year / pencil
	07.99 - 05.05	96	1747	4	183 A1.000/188 A6.000	CL315	4			year / pencil
Brava (182)										
1.2 16V 80	10.00 - 10.01	59	1242	4	188 A5.000	CL302	1			
1.2 16V 80	12.98 - 12.02	60	1242	4	182 B2.000	CL302	1			
1.4	10.95 - 10.01	55	1370	4	182 A5.000	CL302	1			
1.4 12V	10.95 - 08.98	59	1370	4	182 A3.000	CL302	1			
1.6 16V	10.95 - 10.01	66	1581	4	182 A6.000	CL312	1			
1.6 16V	02.96 - 10.01	76	1581	4	182 A4.000	CL312	1			
1.8 GT 16V	10.95 - 06.98	83	1747	4	182 A2.000	CL314	4			year / pencil
	06.98 - 10.01	83	1747	4	182 A2.000	CL315	4			year / pencil
Bravo I (182)										
1.2 16V 80	10.00 - 10.01	59	1242	4	188 A5.000	CL302	1			
1.2 16V 80	12.98 - 10.00	60	1242	4	182 B2.000	CL302	1			
1.4	10.95 - 10.01	55	1370	4	182 A5.000	CL302	1			
1.4	10.95 - 10.01	59	1370	4	182 A3.000	CL302	1			
1.6 16V	10.95 - 10.01	66	1581	4	182 A6.000	CL312	1			
1.6 16V	03.96 - 10.01	76	1581	4	182 A4.000	CL312	1			
1.8 GT	10.95 - 06.98	83	1747	4	182 A2.000	CL314	4			year / pencil
	06.98 - 10.01	83	1747	4	182 A2.000	CL315	4			year / pencil
2.0 HGT 20V	10.95 - 07.98	108	1998	5	182 A1.000	CL317	5			pencil
2.0 HGT 20V	07.98 - 10.01	113	1998	5	182 B7.000	CL318	5			pencil
Bravo II (198)										
1.4	04.07 -	66	1368	4	192 B2.000	CL310	4	CP072	4	pencil
1.4 16V	03.08 -	103	1368	4	198 A7.000	CL323	4			pencil
1.4 LPG	11.09 -	66	1368	4	192 B2.000	CL310	4	CP072	4	pencil
1.4 T-Jet	09.07 -	88	1368	4	198 A4.000	CL323	4			pencil
1.4 T-Jet	09.07 -	110	1368	4	198 A1.000	CL323	4			pencil
Cinquecento (170)										
0.7	12.91 - 01.96	23	704	2	170 A.000	CL300	1			twin coil
0.7 i	07.94 - 01.98	22	704	2	170 A.046	CL300	1			twin coil
0.9	07.91 - 12.93	30	903	4	170 A1.000	CL300	2			twin coil
0.9 i.e.	07.91 - 12.93	30	903	4	170 A1.046	CL300	2			twin coil
0.9 i.e. S	07.91 - 07.99	29	899	4	1170 A1.000/1170 A1.046	CL300	2			twin coil
1.1 Sporting	10.94 - 01.98	40	1108	4	176 B2.000	CL300	2			twin coil
Coupe (FA/175)										
1.8 16V	03.96 - 05.98	96	1747	4	183 A1.000	CL314	4			year / pencil
	06.98 - 08.00	96	1747	4	183 A1.000	CL315	4			year / pencil
2.0 16V Turbo	11.93 - 08.96	140	1995	4	175 A1.000	CL300	2			twin coil
2.0 20V	08.96 - 04.98	108	1998	5	182 A1.000	CL317	5			pencil
2.0 20V	04.98 - 08.00	113	1998	5	182 B3.000	CL318	5			pencil
2.0 20V Turbo	08.96 - 08.00	162	1998	5	175 A3.000	CL317	5			pencil
Croma (154)										
2000 16V	08.92 - 08.96	101	1995	4	154 E1.000	CL302	1			
2000 CHT	12.85 - 02.89	66	1995	4	154 A1.000	CL303	1			coil socket: 4x flat contact
						CL313	1			coil socket with 4 pins
2000 i.e.	03.86 - 09.90	83	1995	4	834 B.048	CL303	1			
2000 i.e.	10.87 - 08.96	85	1995	4	154 C3.046/834 B.146	CL313	1			
2000 i.e.	03.87 - 09.92	88	1995	4	834 B.000/154 C3.000	CL313	1			
2000 i.e. Turbo	06.87 - 08.96	110	1995	4	154 C4.046/834 C.146	CL313	1			
Croma (194)										
1.8 16V	12.05 -	103	1796	4	939 A4.000	CL221	1	CP062	4	rail coil
2.2 16V	06.05 -	108	2198	4	194 A1.000	CL224	1	CP058	4	rail coil
Doblo (119)										
1.2	03.01 -	48	1242	4	223 A5.000	CL300	2			twin coil
1.4	10.05 -	57	1368	4	350 A1.000	CL309	1			
1.6 16V	10.01 -	76	1596	4	182 B6.000	CL301	4			pencil
						CL312	1			coil 4xPIN
1.6 Natural Power	09.02 -	76	1596	4	182 B6.000	CL312	1			
Doblo Cargo (223)										
1.2	03.01 -	48	1242	4	223 A5.000	CL300	2			twin coil
1.4	10.05 -	57	1368	4	350 A1.000	CL309	1			
1.6 16V	10.01 -	76	1596	4	182 B6.000	CL301	4			pencil
						CL312	1			coil 4xPIN
1.6 Natural Power	09.02 -	76	1596	4	182 B6.000	CL312	1			
Doblo Flatbed (263)										
1.4	04.10 -	70	1368	4	843 A1.000	CL310	4	CP072	4	pencil
Doblo MPV (152, 263)										
1.4	02.10 -	70	1368	4	843 A1.000	CL310	4	CP072	4	pencil

model	year	kW	cm ³	cyl	engine	coil	pcs	boot	pcs	info
FIAT										
Doblo Van/Combi (263)										
1.4	02.10 -	70	1368	4	843 A1.000	CL310	4	CP072	4	pencil
Ducato Bus (230)										
2.0 4x4	11.94 - 11.01	80	1998	4	RFW	CL107	1			
2.0 Panorama	03.94 - 04.02	80	1998	4	RFW	CL107	1			
Ducato Bus (244, Z)										
2.0	04.02 -	81	1998	4	RFL	CL107	1			
2.0 Bipower	11.02 -	81	1998	4	RFL	CL107	1			
Ducato Flatbed (230)										
2.0	06.98 - 04.02	80	1998	4	RFW	CL107	1			
Ducato Van (230L)										
2.0	03.94 - 04.02	80	1998	4	RFW	CL107	1			
Ducato Van (244)										
2.0	04.02 -	81	1998	4	RFL	CL107	1			
2.0 Bipower	11.02 -	81	1998	4	RFL	CL107	1			
Ducato Van (250)										
3.0 Natural Power 140	04.09 -	100	2999	4	F1CFA401A/F1CE0441A	CL310	4	CP072	4	pencil
Duna (146 B)										
60 1.1	01.87 - 12.91	43	1116	4	146 A6.000	CL308	1			
70 1.3	01.87 - 12.91	49	1301	4	146 A5.000	CL308	1			
Duna Weekend (146 B)										
60 1.1	01.87 - 12.91	43	1116	4	146 A6.000	CL308	1			
70 1.3	01.87 - 12.91	49	1301	4	146 A5.000	CL308	1			
Elba (146)										
1.5	01.92 - 12.96	55	1499	4	149 C1.000	CL308	1			
Fiorino (127)										
1050	01.80 - 12.87	37	1049	4	127 A.000	CL308	1			
Fiorino (147)										
1.0	01.80 - 12.87	37	1049	4	127 A.000	CL308	1			
1.3	12.87 - 08.93	49	1301	4	146 A5.000	CL308	1			
1.5	01.88 - 08.93	55	1499	4	149 C1.000	CL308	1			
Fiorino Pick-up (146)										
1.3	01.88 - 12.94	49	1301	4	146 A5.000	CL308	1			
1.4	05.94 - 05.01	49	1372	4	146 D5.000	CL302	1			
1.6	01.94 - 05.01	55	1581	4	146 D6.000/146 C6.000	CL313	1			
Fiorino Van (146)										
60 1.1	05.88 - 12.93	40	1116	4	146 A9.000	CL308	1			
70 1.3	01.88 - 12.94	49	1301	4	146 A5.000	CL308	1			
70 1.4 i.e.	05.94 - 10.96	49	1372	4	146 C5.000/146 D5.000	CL313	1			with distributor / year
	11.96 - 05.01	49	1372	4	146 C5.000/146 D5.000	CL302	1			without distributor / year
75 1.5 i.e.	05.88 - 12.93	55	1499	4	149 C1.000	CL313	1			
75 1.6 i.e.	10.93 - 05.01	55	1581	4	146 D6.000/146 C6.000	CL302	1			without distributor
						CL313	1			with distributor
Fiorino Van/Combi (225)										
1.4 Natural Power	10.09 -	57	1368	4	350 A1.000	CL309	1			
Freemont (JF)										
3.6	08.11 -	206	3604	6	ERB	CL721	6	CP065	6	pencil
3.6 4x4	08.11 -	206	3604	6	ERB	CL721	6	CP065	6	pencil
Grande Punto (199)										
1.2	10.05 -	48	1242	4	199 A4.000	CL309	1			
1.2	09.10 -	51	1242	4	169 A4.000	CL309	1			
1.4	06.06 -	55	1368	4	199 A7.000	CL309	1			
1.4	10.05 -	57	1368	4	350 A1.000	CL309	1			
1.4 16V	10.05 -	70	1368	4	199 A6.000	CL310	4	CP072	4	pencil
1.4 Abarth	12.07 -	114	1368	4	199 A8.000	CL323	4			pencil
1.4 Abarth	12.07 -	132	1368	4	199 A8.000/955 A8.000	CL323	4			pencil
1.4 T-Jet	09.07 -	88	1368	4	198 A4.000	CL323	4			pencil
Idea										
1.2 16V	01.04 -	59	1242	4	188 A5.000	CL310	4	CP072	4	pencil
1.4	10.05 -	57	1368	4	350 A1.000	CL309	1			
1.4	12.03 -	66	1368	4	192 B2.000	CL310	4	CP072	4	pencil
1.4 16V	01.04 -	70	1368	4	843 A1.000	CL310	4	CP072	4	pencil
1.4 LPG	03.09 -	57	1368	4	350 A1.000	CL309	1			
Linea (323)										
1.4	06.07 -	57	1368	4	350 A1.000	CL309	1			
1.4 T-Jet	09.07 -	88	1368	4	198 A4.000	CL323	4			pencil
Marea (185)										
1.2 16V	10.98 - 05.02	60	1242	4	182 B2.000	CL302	1			
1.4 80 12V	09.96 - 05.02	59	1370	4	182 A3.000	CL302	1			
1.6 16V	04.97 - 02.99	75	1581	4	185 A3.000	CL312	1			
1.6 100 16V	09.96 - 05.02	76	1581	4	182 A4.000	CL312	1			
1.6 100 16V Bipower	04.99 - 05.02	76	1581	4	186 A4.000/185 A3.000	CL312	1			



model	year	kW	cm ³	cyl	engine	coil	pcs	boot	pcs	info
FIAT										
Marea (185)										
1.8 115 16V	09.96 - 06.99	83	1747	4	182 A2.000	CL314	4			year / pencil
	06.99 - 05.02	83	1747	4	182 A2.000	CL315	4			year / pencil
2.0 150 20V	09.96 - 04.99	108	1998	5	182 A1.000	CL317	5			pencil
2.0 150 20V	01.01 - 05.02	110	1998	5	185 A8.000	CL318	5			pencil
2.0 155 20V	04.99 - 01.01	113	1998	5	182 B7.000	CL318	5			pencil
Marea Weekend (185)										
1.2 16V	10.98 - 05.02	60	1242	4	182 B2.000	CL302	1			
1.4 80 12V	09.96 - 05.02	59	1370	4	182 A3.000	CL302	1			
1.6 100 16V	09.96 - 05.02	76	1581	4	182 A4.000	CL312	1			
1.8 115 16V	09.96 - 06.99	83	1747	4	182 A2.000	CL314	4			year / pencil
	06.99 - 05.02	83	1747	4	182 A2.000	CL315	4			year / pencil
2.0 150 20V	09.96 - 04.99	108	1998	5	182 A1.000	CL317	5			pencil
2.0 150 20V	01.01 - 05.02	110	1998	5	185 A8.000	CL318	5			pencil
2.0 155 20V	04.99 - 02.03	113	1998	5	182 B7.000	CL318	5			pencil
Multipla (186)										
1.6	09.00 - 06.10	76	1596	4	182 B6.000	CL312	1			
1.6 16V	04.02 - 06.10	70	1596	4	182 B6.000	CL312	1			
1.6 100 16V	04.99 - 06.10	76	1581	4	182 A4.000	CL312	1			
1.6 16V Bipower	04.99 - 06.10	76	1581	4	186 A4.000	CL312	1			
1.6 16V Bipower	10.01 - 06.10	76	1596	4	182 B6.000	CL312	1			
1.6 16V Blupower	04.99 - 06.10	70	1581	4	186 A3.000	CL312	1			
1.6 16V GPL	10.01 - 06.10	76	1596	4	182 B6.000	CL312	1			
Palio (178BX)										
1.0	04.96 -	45	994	4		CL300	2			twin coil
1.0	04.96 -	56	994	4		CL300	2			twin coil
1.2	06.98 -	54	1242	4	178 B5. /178 E2. /176 A8.000	CL300	2			twin coil
1.2	07.97 - 08.02	44	1242	4	188 A4.000	CL300	2			twin coil
1.4	04.96 -	51	1372	4	178 B2.000	CL300	2			twin coil
1.4 cat	04.96 -	51	1372	4	178 B2.016	CL300	2			twin coil
1.5	04.96 -	57	1497	4		CL300	2			twin coil
1.5	06.04 -	62	1461	4	178 E5.022	CL300	2			twin coil
1.6 16V	04.96 -	74	1581	4	178 B3.000	CL312	1			
Palio Weekend (178DX)										
1.2	02.01 -	44	1242	4	178 C4.066/188 A4.000	CL300	2			twin coil
1.2	04.96 - 02.01	54	1242	4	178 B5.000	CL300	2			twin coil
1.4	07.97 - 08.01	51	1372	4	178 B2.000	CL300	2			twin coil
1.5	02.02 -	62	1461	4	178 E5.022	CL300	2			twin coil
1.6 16V	04.96 - 02.01	74	1581	4	178 B3.000	CL312	1			
1.6 16V	02.01 -	76	1596	4	182 B6.000	CL301	4			pencil
						CL312	1			coil 4xPIN
Panda (141A)										
650	01.82 - 07.04	22	652	2	141 A.000	CL316	1			twin coil
750	01.86 - 01.95	25	770	4	156 A4.000	CL308	1			
750	01.86 - 01.95	25	770	4	141 B.000	CL308	1			
750 cat	01.95 - 10.03	25	770	4	156 A4.048	CL308	1			
900	04.92 - 12.96	29	899	4	1170 A1.046	CL300	2			twin coil
1000	01.85 - 12.92	37	999	4	156 A3.000	CL304	1			
1000 4x4	05.86 - 12.94	33	999	4	141 C2.000/156 A2.246	CL300	2			twin coil
1000 4x4	01.86 - 12.92	37	999	4	156 A3.000	CL304	1			
1000 i.e. cat	10.87 - 08.98	33	999	4	141 C2.000/156 A2.246	CL300	2			twin coil
1100	05.91 - 12.99	37	1108	4	156 C.046	CL300	2			without distributor
						CL304	1			with distributor
1100	02.95 - 09.03	40	1108	4	187 A1.000/176 B2.000	CL300	2			twin coil
1100 4x4	02.95 - 07.04	40	1108	4	176 B2.000	CL300	2			twin coil
1100 Trekking 4x4	10.91 - 07.04	37	1108	4	156 C.046	CL300	2			without distributor
						CL304	1			with distributor
Panda (169)										
1.1	09.03 -	40	1108	4	187 A1.000	CL300	2			twin coil
1.2	09.03 -	44	1242	4	188 A4.000	CL300	2			twin coil
1.2	03.10 -	51	1242	4	169 A4.000	CL309	1			
1.2 4x4	10.04 -	44	1242	4	188 A4.000	CL300	2			twin coil
1.2 4x4	11.09 -	51	1242	4	169 A4.000	CL309	1			
1.2 LPG	04.09 -	44	1242	4	188 A4.000	CL300	2			twin coil
1.2 LPG	11.10 -	51	1242	4	169 A4.000	CL309	1			
1.2 Natural Power	01.07 - 11.09	44	1242	4	188 A4.000	CL300	2			twin coil
1.4	10.06 -	74	1368	4	169 A3.000	CL310	4	CP072	4	pencil
	09.10 -	57	1368	4	350 A1.000	CL309	1			
Panda (312)										
0.9	12.13 -	44	964	2	312 A4.000/312 A6.000	CL310	2	CP072	2	pencil
0.9	02.12 -	48	964	2	312 A4.000	CL310	2	CP072	2	pencil
0.9	02.12 -	57	875	2	312 A7.000/312 A2.000	CL325	2			pencil

model	year	kW	cm ³	cyl	engine	coil	pcs	boot	pcs	info
FIAT										
Panda (312)										
0.9	02.12 -	63	875	2	312 A2.000	CL325	2			pencil
0.9 4x4	09.12 -	63	875	2	312 A2.000	CL325	2			pencil
0.9 Natural Power	07.12 -	63	875	2	312 A2.000	CL325	2			pencil
1.2	02.12 -	51	1242	4	169 A4.000	CL309	1			
1.2 LPG	06.12 -	51	1242	4	169 A4.000	CL309	1			
Panda Van (141)										
750	01.86 - 07.92	25	764	4	141 B.000	CL308	1			
1000 i.e	08.92 - 02.04	33	999	4	156 A2.246	CL300	2			twin coil
Panda Van (169)										
1.2	09.04 -	44	1242	4	188 A4.000	CL300	2			twin coil
1.2 4x4	09.04 -	44	1242	4	188 A4.000	CL300	2			twin coil
1.2 LPG	04.09 -	44	1242	4	188 A4.000	CL300	2			twin coil
1.2 Natural Power	01.07 - 11.09	44	1242	4	188 A4.000	CL300	2			twin coil
1.4 Natural Power	10.09 -	57	1368	4	350 A1.000	CL309	1			
Panda Van (312)										
0.9	02.12 -	48	964	2	312 A4.000	CL310	2	CP072	2	pencil
1.2	02.12 -	51	1242	4	169 A4.000	CL309	1			
1.2 LPG	06.12 -	51	1242	4	169 A4.000	CL309	1			
Punto (176)										
55 1.1	09.93 - 09.99	40	1108	4	176 A6.000/176 B2.000	CL300	2			twin coil
60 1.2	01.94 - 09.99	43	1242	4	176 A7.000	CL300	2			twin coil
60 1.2	03.94 - 09.99	44	1242	4	176 B1.000/176 B4.000	CL300	2			twin coil
75 1.2	10.93 - 09.99	54	1242	4	176 A8.000	CL300	2			twin coil
1.2 16V	04.97 - 09.99	63	1242	4	176 B9.000	CL300	2			twin coil
1.4 GT Turbo	09.96 - 09.99	96	1372	4	176 B6.000	CL302	1			
1.4 GT Turbo	01.94 - 09.96	98	1372	4	176 A4.000	CL302	1			
1.6	01.94 - 04.97	65	1581	4	176 A9.000	CL200	1			
Punto (188)										
1.2 60	09.99 -	44	1242	4	188 A4.000	CL300	2			twin coil
1.2 Natural Power	09.03 -	44	1242	4	188 A4.000	CL300	2			twin coil
1.2 16V 80	09.99 -	59	1242	4	188 A5.000	CL302	1			
1.4	09.03 -	70	1368	4	843 A1.000	CL310	4	CP072	4	pencil
1.4	11.05 -	71	1368	4	199 A6.000	CL310	4	CP072	4	pencil
1.8 130 HGT	09.99 -	96	1747	4	183 A1.000/188 A6.000	CL315	4			pencil
Punto (199)										
0.9 BiFuel	03.12 -	63	875	2	312 A2.000	CL325	2			pencil
0.9 TwinAir Turbo	03.12 -	63	875	2	312 A2.000	CL325	2			pencil
1.2	03.12 -	51	1242	4	169 A4.000	CL309	1			
1.4	03.12 -	55	1368	4	199 A7.000	CL309	1			
1.4	03.12 -	57	1368	4	350 A1.000	CL309	1			
1.4 BiFuel	03.12 -	57	1368	4	350 A1.000	CL309	1			
1.4 Natural Power	03.12 -	57	1368	4	350 A1.000	CL309	1			
1.4 Turbo MultiAir	03.12 -	99	1368	4	955 A2.000	CL326	4			pencil
Punto Cabriolet (176C)										
60 1.2	04.94 - 06.00	43	1242	4	176 A7.000	CL300	2			twin coil
60 1.2	05.95 - 06.00	44	1242	4	176 B1.000/176 B4.000	CL300	2			twin coil
85 1.2 16V	04.97 - 06.00	63	1242	4	176 B9.000	CL300	2			twin coil
90 1.6	04.94 - 04.97	65	1581	4	176 A9.000	CL200	1			
Punto Evo (199)										
1.2	10.09 - 02.12	48	1242	4	199 A4.000	CL309	1			
1.2	10.09 - 02.12	51	1242	4	169 A4.000	CL309	1			
1.4	07.09 - 02.12	55	1368	4	199 A7.000	CL309	1			
1.4	10.09 - 02.12	57	1368	4	350 A1.000	CL309	1			
1.4 16V	10.09 - 02.12	77	1368	4	955 A6.000	CL324	4			pencil
1.4 16V	10.09 - 02.12	99	1368	4	955 A2.000	CL326	4			pencil
1.4 Abarth	10.09 -	120	1368	4	955 A8.000	CL326	4			pencil
1.4 LPG	06.09 - 02.12	57	1368	4	350 A1.000	CL309	1			
1.4 Natural Power	10.09 - 02.12	57	1368	4	350 A1.000	CL309	1			
Punto Van (176L)										
1.1	04.96 - 02.00	40	1108	4	176 B2.000	CL300	2			twin coil
Punto Van (188AX)										
1.2 60	02.00 - 10.09	44	1242	4	188 A4.000	CL300	2			twin coil
Qubo (225)										
1.4 Natural Power	10.09 -	57	1368	4	350 A1.000	CL309	1			
Regata (138)										
75 1.5 i.e.	07.85 - 07.89	55	1498	4	149 C1.000/138 C2.048	CL303	1			coil socket: 4x flat contact
						CL313	1			coil socket with 4 pins
Regata Weekend										
75 1.5 i.e. cat	12.86 - 07.89	55	1498	4	138 C2.048	CL303	1			

model	year	kW	cm ³	cyl	engine	coil	pcs	boot	pcs	info
FIAT										
Ritmo I (138A)										
70 1.3	11.83 - 08.85	48	1301	4	149 A3.000/149 A7.000	CL308	1			
75 1.5 i.e.	10.85 - 05.87	55	1498	4	149 C1.000/138 C2.048	CL308	1			
Ritmo II (138A)										
75 1.5	09.85 - 12.88	55	1498	4	138 A2.000	CL308	1			
75 1.5 cat	09.85 - 12.88	55	1498	4	149 C1.000/138 C2.048	CL308	1			
Scudo Combinato (220P)										
1.6	02.96 - 12.06	58	1581	4	220 A 2.000	CL302	1			
2.0 16V	06.00 - 12.06	100	1997	4	RFN (EW10J4)	CL112	1	CP073	4	rail coil
Scudo Van (220L)										
1.6	02.96 - 12.06	58	1581	4	220 A 2.000	CL302	1			
2.0	05.00 - 12.06	100	1997	4	RFN (EW10J4)	CL112	1	CP073	4	rail coil
Sedici										
1.6 16V	06.06 - 06.09	79	1586	4	M16A	CL561	2			semidirect / pencil / year
	07.09 -	79	1586	4	M16A	CL236	4			pencil / year
1.6 16V	06.06 - 06.09	88	1586	4	M16A	CL561	2			semidirect / pencil / year
	07.09 -	88	1586	4	M16A	CL236	4			pencil / year
1.6 16V 4x4	06.06 - 06.09	79	1586	4	M16A	CL561	2			semidirect / pencil / year
	07.09 -	79	1586	4	M16A	CL236	4			pencil / year
1.6 16V 4x4	06.06 - 06.09	88	1586	4	M16A	CL561	2			semidirect / pencil / year
	07.09 -	88	1586	4	M16A	CL236	4			pencil / year
Seicento (187)										
0.9	01.98 - 01.10	29	899	4	1170 A1.046	CL300	2			twin coil
1.1	01.98 - 01.10	40	1108	4	187 A1.000/176 B2.000	CL300	2			twin coil
Seicento Van (187)										
0.9	01.98 - 01.10	29	899	4	1170 A1.046	CL300	2			twin coil
1.1	01.98 - 01.10	40	1108	4	176 B2.000	CL300	2			twin coil
Siena (178)										
1.2	09.98 -	54	1242	4	178 B5.000	CL300	2			twin coil
1.4	04.96 -	51	1372	4	178 B2.000	CL300	2			twin coil
1.4 cat	04.96 -	51	1372	4	178 B2.016	CL300	2			twin coil
1.5	06.04 -	62	1461	4	178 E5.022	CL300	2			twin coil
1.6 16V	09.98 -	78	1581	4	178 B3.000	CL312	1			
Stilo (192)										
1.2 16V	02.02 - 11.06	59	1242	4	188 A5.000	CL310	4	CP072	4	pencil
1.4 16V	01.04 - 11.06	70	1368	4	843 A1.000	CL310	4	CP072	4	pencil
1.4 16V	03.05 - 11.06	66	1368	4	192 B2.000	CL310	4	CP072	4	pencil
1.6 16V	10.01 - 11.06	76	1596	4	182 B6.000	CL301	4			pencil
1.6 16V	05.05 - 11.06	77	1598	4	192 B3.000	CL221	1	CP062	4	rail coil
1.6 16V	10.01 - 11.06	98	1747	4	192 A4.000	CL315	4			pencil
2.4 20V	10.01 - 11.06	125	2446	5	192 A2.000	CL311	5			pencil
Stilo Multi Wagon (192)										
1.4 16V	01.04 - 08.08	70	1368	4	843 A1.000	CL310	4	CP072	4	pencil
1.4 16V	03.05 - 08.08	66	1368	4	192 B2.000	CL310	4	CP072	4	pencil
1.6 16V	01.03 - 08.08	76	1596	4	182 B6.000	CL301	4			pencil
1.8 16V	01.03 - 08.08	98	1747	4	192 A4.000	CL315	4			pencil
Strada Pick-up (178E)										
1.2	04.03 -	44	1242	4	188 A4.000	CL300	2			twin coil
1.2	06.99 -	54	1242	4	178 B5.000	CL300	2			twin coil
Tempra (159)										
1.4 i.e.	03.92 - 02.95	51	1372	4	160 A1.046	CL313	1			with distributor / year
	03.95 - 08.96	51	1372	4	836 A4.000	CL302	1			without distributor / year
1.4 i.e.	03.91 - 08.96	57	1372	4	159 A2.000	CL304	1			
1.6	03.90 - 04.93	63	1581	4	159 A3.000	CL313	1			
1.6 i.e.	06.92 - 08.96	55	1581	4	835 C1.000	CL302	1			without distributor
	06.92 - 08.96	55		4	159 A3.048	CL313	1			with distributor / engine code
1.6 i.e.	06.90 - 07.92	57	1581	4	159 A3.046	CL313	1			
1.6 i.e.	06.94 - 08.96	66	1581	4	159 B9.000	CL302	1			
1.8 i.e.	09.93 - 08.96	66	1756	4	835 C4.000	CL300	2			twin coil
1.8 i.e.	10.94 - 08.96	74	1756	4	836 A5.000	CL300	2			twin coil
1.8 i.e.	09.93 - 08.96	76	1756	4	835 C2.000	CL300	2			twin coil
Tempra S.W. (159)										
1.4 i.e.	10.92 - 08.96	51	1372	4	836 A4.000	CL302	1			without distributor
				4	160 A1.046	CL313	1			with distributor / engine code
1.4 i.e.	03.91 - 08.96	57	1372	4	159 A2.000	CL304	1			
1.6	12.90 - 04.93	63	1581	4	159 A3.000	CL313	1			
1.6 i.e.	10.92 - 08.96	55	1581	4	835 C1.000	CL302	1			without distributor
				4	159 A3.048	CL313	1			with distributor / engine code
1.6 i.e.	10.90 - 08.96	57	1581	4	835 C1.000	CL302	1			without distributor
				4	159 A3.046	CL313	1			with distributor / engine code
1.6 i.e.	06.94 - 08.96	66	1581	4	159 B9.000	CL302	1			
1.8 i.e.	09.93 - 08.96	66	1756	4	835 C4.000	CL300	2			twin coil

model	year	kW	cm ³	cyl	engine	coil	pcs	boot	pcs	info
FIAT										
Tempra S.W. (159)										
1.8 i.e.	10.94 - 08.96	74	1756	4	836 A5.000	CL300	2			twin coil
1.8 i.e.	09.93 - 08.96	76	1756	4	835 C2.000	CL300	2			twin coil
Tipo (160)										
1.1	01.88 - 10.91	41	1108	4	160 A3.000	CL304	1			
1.4	07.87 - 12.89	52	1372	4	160 A1.000	CL304	1			engine code
				4	160 A1.048	CL313	1			engine code
1.4 i.e.	05.89 - 04.95	51	1372	4	836 A4.000	CL302	1			without distributor / engine code
				4	160 A1.046	CL304	1			with distributor - 1 st coil
				4	160 A1.046	CL313	1			with distributor - 2 nd coil
1.4 i.e.	05.89 - 04.95	57	1372	4	159 A2.000	CL304	1			
1.6	01.88 - 10.91	61	1581	4	160 A2.000	CL313	1			
1.6 i.e.	10.92 - 04.95	55	1581	4	835 C1.000	CL302	1			without distributor / engine code
				4	159 A3.048	CL313	1			with distributor / engine code
1.6 i.e.	07.90 - 01.93	57	1581	4	159 A3.046	CL313	1			
1.8 i.e.	09.93 - 04.95	66	1756	4	835 C4.000	CL300	2			twin coil
1.8 i.e.	03.93 - 04.95	71	1756	4	836 A5.000	CL300	2			twin coil
1.8 i.e.	10.94 - 10.95	74	1756	4	836 A5.000/159 A4.000	CL300	2			twin coil
1.8 i.e.	04.93 - 04.95	76	1756	4	835 C2.000	CL300	2			twin coil
Ulysse (179AX)										
2.0	08.02 - 06.11	100	1997	4	RFN (EW10J4)	CL112	1	CP073	4	rail coil
3.0	08.02 - 06.11	150	2946	6	XFW	CL135	6			pencil
Ulysse (220)										
1.8	05.97 - 08.02	73	1761	4	LFW	CL107	1			
2.0	06.94 - 08.02	89	1998	4	RFU (XU10J2C)	CL107	1			
2.0 16V	09.00 - 08.02	100	1997	4	RFN (EW10J4)	CL112	1	CP073	4	rail coil
2.0 Turbo	06.94 - 08.02	108	1998	4	RGX (XU10J2CTE)	CL107	1			
Uno (146A/E)										
45 1.0	06.86 - 12.87	32	999	4	156 A2.048/156 A2.100	CL308	1			year
	01.88 - 12.93	32	999	4	156 A2.048/156 A2.100	CL304	1			year
45 1.0 i.e.	04.84 - 12.87	33	999	4	156 A2.246	CL308	1			year
	01.88 - 10.95	33	999	4	156 A2.246	CL304	1			year
50 1.1	01.90 - 12.93	37	1108	4	156 C.046	CL304	1			
50 1.1 i.e.	06.92 - 12.93	36	1116	4	146 C3.000	CL304	1			
60 1.1	04.89 - 12.92	42	1108	4	160 A3.000	CL304	1			
60 1.1	06.86 - 12.87	43	1116	4	146 A4.048	CL308	1			year
	01.88 - 12.93	43	1116	4	146 A4.048	CL304	1			year
70 1.4 i.e.	09.89 - 12.93	51	1372	4	160 A1.046	CL313	1			
70 1.4 i.e.	09.89 - 12.93	53	1372	4	146 C1.000	CL313	1			
70 1.4 S	09.89 - 10.92	52	1372	4	160 A1.048	CL313	1			
75 1.5 i.e.	01.89 - 12.89	55	1499	4	138 C2.048	CL308	1			year / engine code
	10.85 - 12.93	55	1499	4	149 C1.000	CL313	1			year / engine code
FORD										
B-MAX (JK)										
1.0 EcoBoost	10.12 -	74	998	3	SFJA/SFJB/SFJD/SFJC	CL416	3			pencil
1.0 EcoBoost	10.12 -	88	998	3	M1JA	CL416	3			pencil
1.0 EcoBoost	10.12 -	92	998	3	M1JE	CL416	3			pencil
1.4	10.12 -	66	1388	4	SPJD	CL403	1			
1.4 LPG	08.13 -	63	1388	4	RTJC	CL403	1			
1.4 LPG	08.13 -	66	1388	4	RTJC	CL403	1			
1.6 Ti	10.12 -	77	1596	4	IQJA	CL403	1			
B-MAX Van										
1.4	10.12 -	66	1388	4	SPJD	CL403	1			
1.6 Ti	10.12 -	77	1596	4	IQJA	CL403	1			
C-MAX (DM2)										
1.6	02.07 - 09.10	74	1596	4	SHDA/HWDB/SHDB/HWDA	CL403	1			
1.8	02.07 - 09.10	92	1798	4	QQDA/QQDB	CL405	4	CP048	4	pencil
1.8 Flexifuel	02.07 - 09.10	92	1798	4	Q7DA	CL405	4	CP048	4	pencil
2.0	02.07 - 09.10	107	1999	4	AODA/AODB/SYDA/AODE	CL405	4	CP048	4	pencil
2.0 CNG	04.09 - 09.10	107	1999	4	SYDA	CL405	4	CP048	4	pencil
2.0 LPG	06.08 - 09.10	107	1999	4	SYDA	CL405	4	CP048	4	pencil
C-MAX II										
1.6 Flexifuel	02.11 -	88	1596	4	MUDA	CL403	1			
1.6 LPG	02.12 -	88	1596	4	MUDA	CL403	1			
1.6 Ti	12.10 -	63	1596	4	XTDA	CL403	1			
1.6 Ti	12.10 -	77	1596	4	IQDB/IQDA	CL403	1			
1.6 Ti	02.12 -	88	1596	4	MUDA	CL403	1			
1.6 Ti	12.10 -	92	1596	4	PNDA	CL403	1			
C-MAX II (DXA/CB7, DXA/CEU)										
1.0 EcoBoost	10.12 -	74	998	3	M2DA/SFDA	CL416	3			pencil
1.0 EcoBoost	10.12 -	92	998	3	M1DA	CL416	3			pencil
1.6 LPG	02.12 -	86	1596	4	MUDA	CL403	1			

model	year	kW	cm ³	cyl	engine	coil	pcs	boot	pcs	info
FORD										
Cougar (EC_)										
2.0 16V	08.98 - 12.01	96	1988	4	EDBB/EDBC/EDBD/EDBA	CL401	1			coil design
						CL409	1			coil design
2.5 ST 200	01.00 - 12.01	151	2495	6	SGA	CL408	1			
2.5 V6 24V	08.98 - 12.01	125	2544	6	LCBA	CL408	1			
2.5 V6 24V	06.00 - 12.01	125	2495	6	LCBC/LCBB/LCBE	CL408	1			
Ecosport										
1.0 EcoBoost	10.13 -	92	998	3	M1JC	CL416	3			pencil
Escort '86 Express (AVF)										
1.3	02.86 - 07.90	44	1297	4	JLA/JBB/JLB	CL400	1			
1.3	07.88 - 07.90	46	1297	4	JBA	CL400	1			
Escort '91 Express (AVL)										
1.3	07.90 - 12.94	46	1299	4	JBD	CL400	1			
1.4	07.90 - 12.94	52	1391	4	F6F/F6G	CL400	1			
Escort '95 Express (AVL)										
1.4	01.95 -	54	1391	4	F4B	CL400	1			
Escort Classic (AAL, ABL)										
1.6 16V	10.98 - 07.00	66	1597	4	L1E	CL400	1			
1.6 16V	02.99 - 07.00	66	1597	4	L1E	CL400	1			
Escort IV (GAF, AWF, ABFT)										
1.3	07.88 - 10.90	46	1297	4	JBA	CL400	1			
1.6 i	08.89 - 07.90	75	1597	4	LJB	CL400	1			
1.6 XR3i	01.86 - 08.89	77	1597	4	LRB/LR2	CL400	1			
Escort IV Cabriolet (ALF)										
1.6 i	08.89 - 07.90	75	1597	4	LJB	CL400	1			
Escort IV Combi (AWF, AVF)										
1.3	01.86 - 07.90	44	1297	4	JLA/JBB/JLB	CL400	1			
Escort V (GAL)										
1.4	07.90 - 09.92	52	1392	4	F6F/F6G	CL400	1			
1.6	07.90 - 12.92	77	1598	4	LJF	CL400	1			
1.8 16V XR3i	02.92 - 12.92	77	1796	4	RDA	CL400	1			
1.8 16V XR3i	02.92 - 12.92	96	1796	4	RQB	CL400	1			
RS 2000	05.91 - 12.92	110	1998	4	N7A	CL404	2			semidirect / pencil
Escort V Cabriolet (ALL)										
1.4	07.90 - 12.92	52	1392	4	F6F/F6G	CL400	1			
1.6	07.90 - 12.92	77	1598	4	LJF	CL400	1			
1.8 16V XR3i	02.92 - 12.92	77	1796	4	RDA	CL400	1			
1.8 16V XR3i	02.92 - 12.92	96	1796	4	RQB	CL400	1			
Escort V Combi (GAL, AVL)										
1.4	07.90 - 09.92	52	1392	4	F6F/F6G	CL400	1			
1.6	07.90 - 09.92	77	1598	4	LJF	CL400	1			
1.8 16V	02.92 - 12.92	77	1796	4	RDA	CL400	1			
Escort VI (GAL)										
1.3	09.92 - 01.95	44	1299	4	J6A/J4B	CL400	1			
1.4	09.92 - 01.95	52	1391	4	F6F/F6G	CL400	1			
1.4	01.94 - 01.95	55	1391	4	F4B/FUH	CL400	1			
1.6 i 16V	01.94 - 01.95	65	1597	4	L1H	CL400	1			
1.6 i 16V	09.92 - 01.95	66	1597	4	L1E	CL400	1			
1.8 i 16V	09.92 - 01.95	77	1796	4	RDA	CL400	1			
1.8 XR3i 16V	09.92 - 01.95	96	1796	4	RQB	CL400	1			
1.8 XR3i 16V 4x4	08.93 - 01.95	77	1796	4	RDA	CL400	1			
1.8 XR3i 16V 4x4	08.93 - 01.95	96	1796	4	RQB	CL400	1			
RS 2000	09.92 - 01.95	110	1998	4	N7A	CL404	2			semidirect / pencil
RS 2000 4x4	08.93 - 01.95	110	1998	4	N7A	CL404	2			semidirect / pencil
Escort VI Cabriolet (ALL)										
1.4	12.92 - 04.94	52	1392	4	F6F/F6G	CL400	1			
1.4 i	07.93 - 01.95	55	1391	4	F4B	CL400	1			
1.6 16V XR3i	12.92 - 01.95	66	1597	4	L1E	CL400	1			
1.6 i 16V	02.94 - 01.95	65	1597	4	L1H	CL400	1			
1.8 16V XR3i	12.92 - 01.95	77	1796	4	RDA	CL400	1			
1.8 16V XR3i	12.92 - 01.95	96	1796	4	RQB	CL400	1			
Escort VI Combi (GAL)										
1.3	09.92 - 01.95	44	1299	4	J6A/J4B	CL400	1			
1.4	09.92 - 01.95	52	1391	4	F6F/F6G	CL400	1			
1.4	01.94 - 01.95	55	1391	4	F4B/FUH	CL400	1			
1.6 i 16V	01.94 - 01.95	65	1597	4	L1H	CL400	1			
1.6 i 16V	09.92 - 01.95	66	1597	4	L1E	CL400	1			
1.8 i 16V	01.93 - 01.95	77	1796	4	RDA	CL400	1			
1.8 i 16V	02.93 - 01.95	96	1796	4	RQB	CL400	1			
Escort VI Sedan (GAL)										
1.3	08.93 - 01.95	44	1299	4	J6A/J4B	CL400	1			
1.4	08.93 - 04.94	52	1392	4	F6F/F6G	CL400	1			

model	year	kW	cm ³	cyl	engine	coil	pcs	boot	pcs	info
-------	------	----	-----------------	-----	--------	------	-----	------	-----	------

FORD

Escort VI Sedan (GAL)

1.4	08.93 - 01.95	55	1391	4	F4B/FUH	CL400	1			
1.6 i 16V	01.94 - 01.95	65	1597	4	L1H	CL400	1			
1.6 i 16V	08.93 - 01.95	66	1597	4	L1E/L1K	CL400	1			
1.8 i 16V	08.93 - 01.95	77	1796	4	RDA	CL400	1			

Escort VII (GAL, AAL, ABL)

1.3	01.95 - 08.98	44	1299	4	J6A/J4B	CL400	1			DIN / year
	09.98 - 10.98	44	1299	4	J4B	CL401	1			PIN / year / coil design
	09.98 - 10.98	44	1299	4	J4B	CL409	1			PIN / year / coil design
1.4	01.95 - 10.98	55	1391	4	F4B	CL400	1			
1.6 16V	01.95 - 10.98	66	1597	4	L1E	CL400	1			
1.6 16V 4x4	01.95 - 10.98	66	1597	4	L1E	CL400	1			
1.6 i 16V	01.95 - 08.95	65	1597	4	L1H	CL400	1			
1.8 16V	01.95 - 08.95	77	1796	4	RDA	CL400	1			
1.8 16V	01.95 - 10.98	85	1796	4	RKC	CL400	1			
RS 2000	02.95 - 02.98	110	1998	4	N7A	CL404	2			semidirect / pencil
RS 2000 4x4	02.95 - 10.98	110	1998	4	N7A	CL404	2			semidirect / pencil

Escort VII Cabriolet (ALL)

1.4	02.95 - 08.98	55	1391	4	F4B	CL400	1			
1.6 16V XR3i	02.95 - 12.96	65	1597	4	L1H	CL400	1			
1.6 16V XR3i	02.95 - 09.99	66	1597	4	L1E	CL400	1			
1.8 16V XR3i	02.95 - 08.98	77	1796	4	RDA	CL400	1			
1.8 16V XR3i	10.95 - 08.98	85	1796	4	RKC	CL400	1			
1.8 16V XR3i	02.95 - 08.00	96	1796	4	RQB	CL400	1			

Escort VII Combi (GAL, ANL)

1.3	01.95 - 08.98	44	1299	4	J6A/J4B	CL400	1			DIN / year
	09.98 - 01.99	44	1299	4	J4B	CL401	1			PIN / year / coil design
	09.98 - 01.99	44	1299	4	J4B	CL409	1			PIN / year / coil design
1.4	01.95 - 02.99	55	1391	4	F4B/FUH	CL400	1			
1.6 16V	01.95 - 02.99	66	1597	4	L1E	CL400	1			
1.6 i 16V	01.95 - 08.95	65	1597	4	L1H	CL400	1			
1.8 16V	01.95 - 08.95	77	1796	4	RDA	CL400	1			
1.8 16V	01.95 - 02.99	85	1796	4	RKC	CL400	1			

Escort VII Sedan (GAL, AFL)

1.3	01.95 - 08.98	44	1299	4	J6A/J4B	CL400	1			DIN / year
	09.98 - 02.99	44	1299	4	J4B	CL401	1			PIN / year / coil design
	09.98 - 02.99	44	1299	4	J4B	CL409	1			PIN / year / coil design
1.4	01.95 - 02.99	55	1391	4	F4B/FUH	CL400	1			
1.6 i 16V	01.95 - 08.95	65	1597	4	L1H	CL400	1			
1.6 i 16V	01.95 - 02.99	66	1597	4	L1E/L1K	CL400	1			
1.8 16V	01.95 - 08.95	77	1796	4	RDA	CL400	1			
1.8 16V	01.95 - 02.99	85	1796	4	RKC	CL400	1			

Fiesta III (GFJ)

1.0	03.89 - 12.95	33	1001	4	TLB	CL400	1			
1.1	03.89 - 12.95	37	1119	4	G6A	CL400	1			
1.1	03.89 - 12.95	40	1119	4	GUD/GUE	CL400	1			
1.3	03.89 - 12.92	44	1299	4	JBC	CL400	1			
1.3	03.89 - 12.95	44	1297	4		CL400	1			
1.3 cat	05.91 - 01.97	44	1299	4	J6B	CL400	1			
1.4	03.89 - 12.95	52	1391	4	F6E	CL400	1			
1.4	03.89 - 12.95	54	1391	4	FUG/FUJ	CL400	1			
1.4 cat	03.89 - 12.95	54	1391	4	F4A	CL400	1			
1.6	01.89 - 01.94	65	1597	4	LUH	CL400	1			
1.6 i 16V	01.94 - 12.95	65	1597	4	L1G	CL400	1			
1.6 Turbo	03.90 - 10.92	96	1598	4	LHA	CL400	1			
1.6 XR2i	03.89 - 03.93	76	1598	4	LJD	CL400	1			
1.6 XR2i	03.89 - 01.94	81	1597	4	LJC	CL400	1			
1.8 16V	02.92 - 12.95	77	1796	4	RDB	CL400	1			
1.8 XR2i 16V	02.92 - 12.95	96	1796	4	RQC	CL400	1			

Fiesta IV (JA , JB)

1.0 i	02.97 - 09.98	38	999	4	ZH10JRB	CL400	1			DIN / year
	09.98 - 09.99	38	999	4	ZH10JRB	CL401	1			PIN / year
1.25 i 16V	08.95 - 04.98	55	1242	4	DHG/DHB/DHC/DHE/DHF/DHA	CL400	1			DIN / year
	05.98 - 01.02	55	1242	4	DHG/DHB/DHC/DHE/DHF/DHA	CL401	1			PIN / year / coil design
	05.98 - 01.02	55	1242	4	DHG/DHB/DHC/DHE/DHF/DHA	CL409	1			PIN / year / coil design
1.3 i	08.95 - 08.98	37	1299	4	JJA/JJE/JJM/JJC/JJJ/JJK	CL400	1			DIN / year
	09.98 - 01.02	37	1299	4	JJA/JJE/JJM/JJC/JJJ/JJK	CL401	1			PIN / year / coil design
	09.98 - 01.02	37	1299	4	JJA/JJE/JJM/JJC/JJJ/JJK	CL409	1			PIN / year / coil design
1.3 i	08.95 - 08.98	44	1299	4	J4R/JBC/J4C/J4L/J4J/J4Q/J4T	CL400	1			DIN / year
	09.98 - 01.02	44	1299	4	J4R/JBC/J4C/J4L/J4J/J4Q/J4T	CL401	1			PIN / year / coil design
	09.98 - 01.02	44	1299	4	J4R/JBC/J4C/J4L/J4J/J4Q/J4T	CL409	1			PIN / year / coil design

model	year	kW	cm ³	cyl	engine	coil	pcs	boot	pcs	info
FORD										
Fiesta IV (JA , JB)										
1.4i 16V	04.96 - 04.98	66	1388	4	FHE/FHA	CL400	1			DIN / year
	05.98 - 01.02	66	1388	4	FHE/FHA	CL401	1			PIN / year / coil design
	05.98 - 01.02	66	1388	4	FHE/FHA	CL409	1			PIN / year / coil design
1.6 16V Sport	02.00 - 01.02	76	1596	4	L1V/L1T	CL401	1			coil design
						CL409	1			coil design
Fiesta V (JH , JD)										
1.25 16V	05.02 - 02.05	51	1242	4	M7JA/M7JB	CL409	1			year
	03.05 - 06.08	51	1242	4	M7JA/M7JB	CL403	1			year
1.25 16V	05.02 - 02.05	55	1242	4	FUJA/FUJB	CL409	1			year
	03.05 - 06.08	55	1242	4	FUJA/FUJB	CL403	1			year
1.3	11.01 - 06.08	44	1299	4	BAJA	CL401	1			coil design
						CL409	1			coil design
1.3	11.01 - 06.08	51	1299	4	A9JA/A9JB	CL401	1			coil design
						CL409	1			coil design
1.4 16V	11.01 - 01.05	59	1388	4	FXJB/FXJA	CL401	1			year / coil design
	11.01 - 01.05	59	1388	4	FXJB/FXJA	CL409	1			year / coil design
	02.05 - 06.08	59	1388	4	FXJB/FXJA	CL403	1			year
1.6 16V	11.01 - 01.05	74	1596	4	FYJA/FYJB	CL401	1			year / coil design
	11.01 - 01.05	74	1596	4	FYJA/FYJB	CL409	1			year / coil design
	02.05 - 06.08	74	1596	4	FYJA/FYJB	CL403	1			year
2.0 ST150	03.05 - 06.08	110	1999	4	N4JB	CL406	1			
Fiesta V Van										
1.3	10.03 - 07.05	51	1299	4	A9JA/A9JB	CL401	1			coil design
						CL409	1			coil design
Fiesta VI										
1.0	01.13 -	48	998	3	XMJA/XMJB	CL416	3			pencil
1.0	10.12 -	59	998	3	P4JC/P4JD/P4JA/P4JB	CL416	3			pencil
1.0 EcoBoost	01.13 -	74	998	3	SFJA/SFJB/SFJD/SFJC	CL416	3			pencil
1.0 EcoBoost	09.12 -	92	998	3	M1JE	CL416	3			pencil
1.0 Sport	05.14 -	103	998	3	YYJA/YYJB	CL416	3			pencil
1.25	06.08 -	44	1242	4	STJA/STJB	CL403	1			
1.25	06.08 -	60	1242	4	SNJA/SNJB	CL403	1			
1.4	06.08 -	71	1388	4	SPJA/SPJC	CL403	1			
1.4 LPG	01.09 -	71	1388	4	RTJA/RTJB	CL403	1			
1.6Ti	09.12 -	77	1596	4	IQJA	CL403	1			
1.6Ti	06.08 -	88	1596	4	HXJB/HXJA	CL403	1			
1.6Ti	12.10 -	99	1596	4	U5JA	CL403	1			
Fiesta VI Van										
1.25	01.09 -	60	1242	4	SNJA/SNJB	CL403	1			
Fiesta Van (F3L, F5L)										
1.3	09.91 - 02.96	44	1299	4	J6B	CL400	1			
Fiesta Van (J5 , J3)										
1.3	02.96 - 08.98	44	1299	4	J4C	CL400	1			DIN / year
	09.98 -	44	1299	4	J4C	CL401	1			PIN / year
1.4i	04.96 - 10.99	66	1388	4	FHA	CL400	1			
Focus (DAW, DBW)										
1.4 16V	10.98 - 11.04	55	1388	4	FXDA/FXDD/FXDC/FXDB	CL401	1			
1.6 16V	10.98 - 11.04	74	1596	4	FYDH/FYDA/FYDB/FYDD/_DC	CL401	1			coil design
						CL409	1			coil design
1.8 16V	10.98 - 11.04	85	1796	4	EYDD/_DC/_DE/_DL/_DF/EY_	CL401	1			coil design
						CL409	1			coil design
2.0 16V	10.98 - 11.04	96	1988	4	EDDC/EDDB/EDDD/EDDF	CL401	1			coil design
						CL409	1			
2.0 RS	10.02 - 11.04	158	1988	4	HMDA	CL401	1			coil design
						CL409	1			coil design
2.0 ST170	03.02 - 11.04	127	1988	4	ALDA	CL401	1			coil design
						CL409	1			coil design
Focus Combi (DNW)										
1.4 16V	02.99 - 11.04	55	1388	4	FXDA/FXDD/FXDC/FXDB	CL401	1			
1.6 16V	02.99 - 11.04	74	1596	4	FYDH/FYDA/FYDB/FYDD/_DC	CL401	1			
1.8 16V	02.99 - 11.04	85	1796	4	EYDD/_DC/_DE/_DL/_DF/EY_	CL401	1			
2.0 16V	02.99 - 11.04	96	1988	4	EDDC/EDDB/EDDD/EDDF	CL401	1			coil design
						CL409	1			coil design
2.0 ST170	08.02 - 11.04	127	1988	4	ALDA	CL401	1			
Focus Sedan (DFW)										
1.4 16V	02.99 - 11.04	55	1388	4	FXDA/FXDD/FXDC/FXDB	CL401	1			
1.6 16V	02.99 - 11.04	74	1596	4	FYDH/FYDA/FYDB/FYDD/_DC	CL401	1			
1.8 16V	02.99 - 11.04	85	1796	4	EYDD/_DC/_DE/_DL/_DF/EY_	CL401	1			
2.0 16V	02.99 - 11.04	96	1988	4	EDDC/EDDB/EDDD/EDDF	CL401	1			coil design
						CL409	1			coil design

model	year	kW	cm ³	cyl	engine	coil	pcs	boot	pcs	info
FORD										
Focus C-MAX										
1.6	10.03 - 02.05	74	1596	4	HWDB/HWDA	CL409	1			year
	03.05 - 03.07	74	1596	4	HWDB/HWDA	CL403	1			year
1.8	10.03 - 03.07	88	1798	4	CSDB/CSDA	CL405	4	CP048	4	pencil
1.8	04.04 - 03.07	92	1798	4	QQDA/QQDB/Q7DA	CL405	4	CP048	4	pencil
1.6Ti	08.04 - 02.05	85	1596	4	SIDA/HXDA	CL409	1			year
	03.05 - 03.07	85	1596	4	SIDA/HXDA	CL403	1			year
1.8 Flexifuel	01.06 - 03.07	92	1798	4	Q7DA	CL405	4	CP048	4	pencil
2.0	03.04 - 03.07	107	1999	4	AODA/AODB/SYDA	CL405	4	CP048	4	pencil
Focus II (DA_)										
1.4	11.04 - 02.05	59	1388	4	ASDB/ASDA	CL409	1			year
	03.05 - 09.12	59	1388	4	ASDB/ASDA	CL403	1			year
1.6	11.04 - 02.05	74	1596	4	SHDA/HWDB/SHDB/HWDA	CL409	1			year
	03.05 - 09.12	74	1596	4	SHDA/HWDB/SHDB/HWDA	CL403	1			year
1.6 LPG	10.09 - 07.11	85	1596	4	SIDA	CL403	1			
1.6Ti	11.04 - 02.05	85	1596	4	HXDB/SIDA/HXDA	CL409	1			year
	03.05 - 09.12	85	1596	4	HXDB/SIDA/HXDA	CL403	1			year
1.8	03.06 - 09.12	92	1798	4	QQDB	CL405	4	CP048	4	pencil
1.8 Flexifuel	01.06 - 09.12	92	1798	4	Q7DA	CL405	4	CP048	4	pencil
2.0	11.04 - 01.08	107	1999	4	AODA/AODB	CL405	4	CP048	4	pencil
2.0 CNG	04.09 - 07.11	107	1999	4	SYDA	CL405	4	CP048	4	pencil
2.0 LPG	06.08 - 07.11	107	1999	4	SYDA	CL405	4	CP048	4	pencil
2.5 RS	01.09 - 07.11	224	2521	5	JZDA	CL410	5	CP035	5	pencil
2.5 RS 500	05.10 - 07.11	257	2521	5	JZDA	CL410	5	CP035	5	pencil
2.5 ST	10.05 - 09.12	166	2522	5	HYDA	CL410	5	CP035	5	pencil
Focus II Cabriolet										
1.6	10.06 - 07.11	74	1596	4	SHDA/HWDB/SHDB/HWDA	CL403	1			
2.0	10.06 - 07.11	107	1999	4	AODA/AODB	CL405	4	CP048	4	pencil
Focus II Combi (DA_)										
1.4	11.04 - 02.05	59	1388	4	ASDB/ASDA	CL409	1			year
	03.05 - 09.12	59	1388	4	ASDB/ASDA	CL403	1			year
1.6	11.04 - 02.05	74	1596	4	SHDA/HWDB/SHDB/HWDA	CL409	1			year
	03.05 - 07.11	74	1596	4	SHDA/HWDB/SHDB/HWDA	CL403	1			year
1.6 LPG	10.09 - 09.12	85	1596	4	SIDA	CL403	1			
1.6Ti	11.04 - 02.05	85	1596	4	HXDB/SIDA/HXDA	CL409	1			year
	03.05 - 01.08	85	1596	4	HXDB/SIDA/HXDA	CL403	1			year
1.8	03.06 - 09.12	92	1798	4	QQDB/Q7DA	CL405	4	CP048	4	pencil
1.8 Flexifuel	01.06 - 09.12	92	1798	4	Q7DA	CL405	4	CP048	4	pencil
2.0	11.04 - 01.08	107	1999	4	AODA/AODB	CL405	4	CP048	4	pencil
2.0 LPG	06.08 - 07.11	107	1999	4	SYDA	CL405	4	CP048	4	pencil
Focus II Sedan (DA_)										
1.4	04.05 - 09.12	59	1388	4	ASDB/ASDA	CL403	1			
1.6	04.05 - 01.08	74	1596	4	SHDA/HWDB/SHDB/HWDA	CL403	1			
1.6Ti	04.05 - 01.08	85	1596	4	HXDB/SIDA/HXDA	CL403	1			
1.8	03.06 - 01.08	92	1798	4	QQDB	CL405	4	CP048	4	pencil
1.8 Flexifuel	06.06 - 07.11	92	1798	4	Q7DA	CL405	4	CP048	4	pencil
2.0	04.05 - 07.11	107	1999	4	AODA/AODB	CL405	4	CP048	4	pencil
Focus III										
1.0 EcoBoost	02.12 -	92	998	3	M1DA	CL416	3			pencil
1.0 EcoBoost	02.12 -	74	998	3	M2DA	CL416	3			pencil
1.6 EcoBoost	04.11 -	110	1596	4	JQDA/YUDA/JQDB	CL414	4			pencil
1.6 EcoBoost	04.11 -	134	1596	4	JTDB/JTDA	CL414	4			pencil
1.6 Flexifuel	04.11 -	88	1596	4	MUDA	CL403	1			
1.6 LPG	02.12 -	88	1596	4	MUDA	CL403	1			
1.6 LPG	02.12 -	86	1596	4	MUDA	CL403	1			
1.6Ti	08.11 -	63	1596	4	XTDA	CL403	1			
1.6Ti	04.11 -	77	1596	4	IQDB	CL403	1			
1.6Ti	02.12 -	88	1596	4	MUDA	CL403	1			
1.6Ti	04.11 -	92	1596	4	PNDA	CL403	1			
2.0 ST	07.12 -	184	1999	4	R9DA	CL415	4			pencil
Focus III Sedan										
1.0 EcoBoost	02.12 -	74	998	3	M2DA	CL416	3			pencil
1.0 EcoBoost	02.12 -	92	998	3	M1DA	CL416	3			pencil
1.6 EcoBoost	04.11 -	110	1596	4	JQDA/YUDA/JQDB	CL414	4			pencil
1.6 EcoBoost	04.11 -	134	1596	4	JTDB/JTDA	CL414	4			pencil
1.6 Flexifuel	04.11 -	88	1596	4	MUDA	CL403	1			
1.6Ti	08.11 -	63	1596	4	XTDA	CL403	1			
1.6Ti	04.11 -	77	1596	4	IQDB	CL403	1			
1.6Ti	04.11 -	92	1596	4	PNDA	CL403	1			
Focus III Turnier										
1.0 EcoBoost	02.12 -	74	998	3	M2DA	CL416	3			pencil
1.0 EcoBoost	02.12 -	92	998	3	M1DA	CL416	3			pencil



model	year	kW	cm ³	cyl	engine	coil	pcs	boot	pcs	info
-------	------	----	-----------------	-----	--------	------	-----	------	-----	------

FORD

Focus III Turnier

1.6 EcoBoost	05.11 -	110	1596	4	JQDA/YUDA/JQDB	CL414	4			pencil
1.6 EcoBoost	05.11 -	134	1596	4	JTDB/JTDA	CL414	4			pencil
1.6 Flexifuel	05.11 -	88	1596	4	MUDA	CL403	1			
1.6 LPG	02.12 -	86	1596	4	MUDA	CL403	1			
1.6 LPG	02.12 -	88	1596	4	MUDA	CL403	1			
1.6Ti	08.11 -	63	1596	4	XTDA	CL403	1			
1.6Ti	05.11 -	77	1596	4	IQDB	CL403	1			
1.6Ti	02.12 -	88	1596	4	MUDA	CL403	1			
1.6Ti	05.11 -	92	1596	4	PNDA	CL403	1			
2.0 ST	07.12 -	184	1999	4	R9DA	CL415	4			pencil

Fusion (JU_)

1.25	08.04 - 12.12	55	1242	4	FUJA/FUJB	CL403	1			
1.4	08.02 - 01.05	59	1388	4	FXJC/FXJB/FXJA	CL401	1			year / coil design
	08.02 - 01.05	59	1388	4	FXJC/FXJB/FXJA	CL409	1			year / coil design
	02.05 - 12.12	59	1388	4	FXJC/FXJB/FXJA	CL403	1			year
1.6	08.02 - 01.05	74	1596	4	FYJC/FYJA/FYJB	CL401	1			year / coil design
	08.02 - 01.05	74	1596	4	FYJC/FYJA/FYJB	CL409	1			year / coil design
	02.05 - 11.08	74	1596	4	FYJC/FYJA/FYJB	CL403	1			year

Galaxy (WGR)

2.0i	11.95 - 03.00	85	1998	4	NSE	CL402	2			year / engine code
	02.01 - 05.06	85	1998	4	ZVSA	CL409	1			year / engine code
2.3 16V	09.01 - 05.06	103	2295	4	E5SB	CL401	1			
2.3 16V	01.97 - 03.00	107	2295	4	Y5B	CL404	2			year / semidirect / pencil
	04.00 - 05.06	107	2295	4	E5SA	CL401	1			year / coil 4xPIN / engine code
2.8i V6	11.95 - 04.00	128	2792	6	AAA	CL021	1			
2.8i V6 4x4	04.96 - 04.00	128	2792	6	AAA	CL021	1			
2.8 V6	04.00 - 05.06	150	2792	6	AYL	CL023	1			pencil

Galaxy (WA6)

1.6 EcoBoost	11.10 - 06.15	118	1596	4	JTWA/JTWB	CL414	4			pencil
2.0	05.06 - 06.15	107	1999	4	AOWB/AOWA	CL405	4	CP048	4	pencil
2.0 EcoBoost	07.10 - 04.11	146	1999	4	TNWB	CL413	4			year / pencil
	05.11 -	146	1999	4	TNWB	CL415	4			year / pencil
2.0 EcoBoost	03.10 - 04.11	149	1999	4	TNWA	CL413	4			year / pencil
	05.11 - 06.15	149	1999	4	TNWA	CL405	4	CP048	4	year / pencil
2.3	07.07 -	118	2261	4	SEWA	CL412	4	CP047	4	pencil

Galaxy

2.0 EcoBoost	01.15 -	176	1999	4	R9CD/R9CI	CL413	4			pencil
--------------	---------	-----	------	---	-----------	-------	---	--	--	--------

Granada (GU)

2.0	08.79 - 08.85	74	1993	4	NEP	CL402	2			twin coil
-----	---------------	----	------	---	-----	-------	---	--	--	-----------

Grand C-MAX

1.6Ti	12.10 -	77	1596	4	IQDB/IQDA	CL403	1			
1.6Ti	12.10 -	92	1596	4	PNDA	CL403	1			
1.6 EcoBoost	12.10 -	110	1596	4	JQDA/JQDB	CL414	4			pencil
1.6 EcoBoost	12.10 -	134	1596	4	JTDB/JTDA	CL414	4			pencil

Ka (RB_)

1.0i	07.97 - 09.99	38	999	4	ZH10JRB	CL401	1			
1.0i	09.99 - 11.08	48	999	4		CL401	1			
1.3i	06.98 - 09.98	36	1299	4	JJH/JJD/JJF/JJG/JJL	CL400	1			DIN / year
	09.98 - 11.08	36	1299	4	JJH/JJD/JJF/JJG/JJL	CL401	1			PIN / year / coil design
	09.98 - 11.08	36	1299	4	JJH/JJD/JJF/JJG/JJL	CL409	1			PIN / year / coil design
1.3i	09.98 - 10.02	37	1299	4	JJB	CL401	1			coil design
						CL409	1			coil design
1.3i	09.96 - 08.98	44	1299	4	J4S/J4K/J4M/J4P/J4N/J4D	CL400	1			DIN / year
	09.96 - 11.08	44	1299	4	J4S/J4K/J4M/J4P/J4N/J4D	CL401	1			PIN / year / coil design
	09.96 - 11.08	44	1299	4	J4S/J4K/J4M/J4P/J4N/J4D	CL409	1			PIN / year / coil design
1.3i	08.02 - 11.08	51	1299	4	A9B/A9A	CL401	1			coil design
						CL409	1			coil design
1.6i	07.03 - 11.08	70	1599	4	CDC/CDB	CL401	1			coil design
						CL409	1			coil design

Ka (RU8)

1.2	10.08 -	51	1242	4	FP4	CL309	1			
-----	---------	----	------	---	-----	-------	---	--	--	--

Kuga I

2.5	03.09 -	147	2522	5	HYDB/HYDC	CL410	5	CP035	5	pencil
2.5 4x4	03.09 -	147	2522	5	HYDB	CL410	5	CP035	5	pencil

Kuga II (DM2)

1.6 EcoBoost	03.13 -	110	1596	4	JQMA/JQMB	CL414	4			pencil
1.6 EcoBoost 4x4	03.13 -	110	1596	4	JQMA/JQMB	CL414	4			pencil
1.6 EcoBoost 4x4	03.13 -	134	1596	4	JTMA	CL414	4			pencil

Maverick

2.0 16V	02.01 -	91	1989	4	YF	CL401	1			coil design
						CL409	1			coil design

model	year	kW	cm ³	cyl	engine	coil	pcs	boot	pcs	info
FORD										
Mondeo I (GBP)										
1.6 i 16V	07.94 - 08.96	65	1597	4	L1J	CL400	1			
1.6 i 16V	02.93 - 08.96	66	1597	4	L1F	CL400	1			
1.8 i 16V	07.94 - 08.96	82	1796	4	RKB	CL400	1			
1.8 i 16V	02.93 - 08.96	85	1796	4	RKA	CL400	1			
1.8 i 16V 4x4	02.93 - 08.96	85	1796	4	RKA	CL400	1			
2.0 i 16V	12.94 - 08.96	97	1988	4	NGA	CL400	1			
2.0 i 16V	02.93 - 08.96	100	1988	4	NGA	CL400	1			
2.0 i 16V 4x4	12.94 - 08.96	97	1988	4	NGA	CL400	1			
2.0 i 16V 4x4	04.93 - 08.96	100	1988	4	NGA	CL400	1			
2.5 i 24V	07.94 - 08.96	125	2544	6	SEA	CL408	1			
Mondeo I Combi (BNP)										
1.6 i 16V	07.94 - 08.96	65	1597	4	L1J	CL400	1			
1.6 i 16V	04.93 - 08.96	66	1597	4	L1F	CL400	1			
1.8 i 16V	07.94 - 08.96	82	1796	4	RKB	CL400	1			
1.8 i 16V	04.93 - 08.96	85	1796	4	RKA	CL400	1			
1.8 i 16V 4x4	04.93 - 08.96	85	1796	4	RKA	CL400	1			
2.0 i 16V	01.93 - 08.96	97	1988	4	NGA	CL400	1			
2.0 i 16V	04.93 - 08.96	100	1988	4	NGA	CL400	1			
2.0 i 16V 4x4	12.94 - 08.96	97	1988	4	NGA	CL400	1			
2.0 i 16V 4x4	04.93 - 08.96	100	1988	4	NGA	CL400	1			
2.5 i 24V	07.94 - 08.96	125	2544	6	SEA	CL408	1			
Mondeo I Sedan (GBP)										
1.6 i 16V	07.94 - 08.96	65	1597	4	L1J	CL400	1			
1.6 i 16V	02.93 - 08.96	66	1597	4	L1F	CL400	1			
1.8 4x4	02.93 - 08.96	85	1796	4	RKA	CL400	1			
1.8 i 16V	01.94 - 08.96	82	1796	4	RKB	CL400	1			
1.8 i 16V	02.93 - 08.96	85	1796	4	RKA	CL400	1			
2.0 i 16V	02.93 - 08.96	100	1988	4	NGA	CL400	1			
2.0 i 16V 4x4	12.94 - 08.96	97	1988	4	NGA	CL400	1			
2.5 i 24V	07.94 - 08.96	125	2544	6	SEA	CL408	1			
Mondeo II (BAP)										
1.6 i	08.96 - 08.98	66	1597	4	L1J	CL400	1			DIN / year
	09.98 - 09.00	66	1597	4	L1J	CL401	1			PIN / year / coil design
	09.98 - 09.00	66	1597	4	L1J	CL409	1			PIN / year / coil design
1.6 i 16V	05.98 - 09.00	70	1597	4	L1N/L1L/L1Q	CL401	1			coil design
						CL409	1			coil design
1.8 i	08.96 - 08.98	85	1796	4	RKK/RKJ/RKB/RKF/RKH	CL400	1			DIN / year
	09.98 - 09.00	85	1796	4	RKK/RKJ/RKB/RKF/RKH	CL401	1			PIN / year / coil design
	09.98 - 09.00	85	1796	4	RKK/RKJ/RKB/RKF/RKH	CL409	1			PIN / year / coil design
2.0 i	08.96 - 08.98	96	1988	4	NGA/NGB/NGD/NGC	CL400	1			DIN / year
	09.98 - 09.00	96	1988	4	NGA/NGB/NGD/NGC	CL401	1			PIN / year / coil design
	09.98 - 09.00	96	1988	4	NGA/NGB/NGD/NGC	CL409	1			PIN / year / coil design
2.5 24V	08.96 - 09.00	125	2544	6	SEA	CL408	1			
2.5 24V	06.00 - 09.00	125	2495	6	SEB/SEC	CL408	1			coil 6xDIN
						CL411	1			coil 6xPIN
2.5 ST 200	05.99 - 09.00	151	2495	6	SGA	CL408	1			
Mondeo II Combi (BNP)										
1.6 i	08.96 - 08.98	66	1597	4	L1J	CL400	1			DIN / year
	09.98 - 09.00	66	1597	4	L1J	CL401	1			PIN / year / coil design
	09.98 - 09.00	66	1597	4	L1J	CL409	1			PIN / year / coil design
1.6 i 16V	05.98 - 09.00	70	1597	4	L1N/L1L/L1Q	CL401	1			coil design
						CL409	1			coil design
1.8 i	08.96 - 08.98	85	1796	4	RKK/RKJ/RKB/RKF/RKH	CL400	1			DIN / year
	09.98 - 09.00	85	1796	4	RKK/RKJ/RKB/RKF/RKH	CL401	1			PIN / year / coil design
	09.98 - 09.00	85	1796	4	RKK/RKJ/RKB/RKF/RKH	CL409	1			PIN / year / coil design
2.0 i	08.96 - 08.98	96	1988	4	NGA/NGB/NGD/NGC	CL400	1			DIN / year
	09.98 - 09.00	96	1988	4	NGA/NGB/NGD/NGC	CL401	1			PIN / year / coil design
	09.98 - 09.00	96	1988	4	NGA/NGB/NGD/NGC	CL409	1			PIN / year / coil design
2.5 24V	08.96 - 09.00	125	2544	6	SEA	CL408	1			
2.5 24V	10.99 - 09.00	125	2495	6	SEB/SEC	CL408	1			coil 6xDIN
						CL411	1			coil 6xPIN
2.5 ST 200	05.99 - 09.00	151	2495	6	SGA	CL408	1			
Mondeo II Sedan (BFP)										
1.6 i	08.96 - 08.98	66	1597	4	L1J	CL400	1			DIN / year
	09.98 - 09.00	66	1597	4	L1J	CL401	1			PIN / year / coil design
	09.98 - 09.00	66	1597	4	L1J	CL409	1			PIN / year / coil design
1.6 i 16V	05.98 - 09.00	70	1597	4	L1N/L1L/L1Q	CL401	1			coil design
						CL409	1			coil design
1.8 i	08.96 - 08.98	85	1796	4	RKK/RKJ/RKB/RKF/RKH	CL400	1			DIN / year
	09.98 - 09.00	85	1796	4	RKK/RKJ/RKB/RKF/RKH	CL401	1			PIN / year / coil design
	09.98 - 09.00	85	1796	4	RKK/RKJ/RKB/RKF/RKH	CL409	1			PIN / year / coil design



model	year	kW	cm ³	cyl	engine	coil	pcs	boot	pcs	info
-------	------	----	-----------------	-----	--------	------	-----	------	-----	------

FORD

◀ **Mondeo II Sedan (BFP)**

2.0i	08.96 - 08.98	96	1988	4	NGA/NGB/NGD/NGC	CL400	1			DIN / year
	09.98 - 09.00	96	1988	4	NGA/NGB/NGD/NGC	CL401	1			PIN / year / coil design
	09.98 - 09.00	96	1988	4	NGA/NGB/NGD/NGC	CL409	1			PIN / year / coil design
2.5 24V	08.96 - 09.00	125	2544	6	SEA	CL408	1			
2.5 24V	06.00 - 09.00	125	2495	6	SEB/LCBD/SEC	CL408	1			coil 6xDIN
						CL411	1			coil 6xPIN
2.5 ST 200	05.99 - 09.00	151	2495	6	SGA	CL408	1			

Mondeo III (B5Y)

1.8 16V	10.00 - 02.05	81	1798	4	CGBB/CGBA	CL409	1			year
	03.05 - 03.07	81	1798	4	CGBB/CGBA	CL406	1			year
1.8 16V	10.00 - 02.05	92	1798	4	CHBA/CHBB	CL409	1			year
	03.05 - 03.07	92	1798	4	CHBA/CHBB	CL406	1			year
1.8 SCi	06.03 - 03.07	96	1798	4	CFBA	CL407	4			pencil
2.0 16V	10.00 - 02.05	107	1999	4	CJBA/CJBB	CL409	1			year
	03.05 - 03.07	107	1999	4	CJBA/CJBB	CL406	1			year
2.5 V6 24V	10.00 - 03.07	125	2495	6	LCBD	CL411	1			
3.0 V6 24V	09.04 - 03.07	150	2967	6	REBA	CL411	1			
3.0 ST220	04.02 - 03.07	166	2967	6	MEBA	CL411	1			

Mondeo III Combi (BWY)

1.8 16V	10.00 - 02.05	81	1798	4	CGBB/CGBA	CL409	1			year
	03.05 - 03.07	81	1798	4	CGBB/CGBA	CL406	1			year
1.8 16V	10.00 - 02.05	92	1798	4	CHBA/CHBB	CL409	1			year
	03.05 - 03.07	92	1798	4	CHBA/CHBB	CL406	1			year
1.8 SCi	06.03 - 03.07	96	1798	4	CFBA	CL407	4			pencil
2.0 16V	10.00 - 02.05	107	1999	4	CJBA/CJBB	CL409	1			year
	03.05 - 03.07	107	1999	4	CJBA/CJBB	CL406	1			year
2.5 V6 24V	10.00 - 03.07	125	2495	6	LCBD	CL411	1			
3.0 V6 24V	09.04 - 03.07	150	2967	6	REBA	CL411	1			
3.0 ST220	04.02 - 03.07	166	2967	6	MEBA	CL411	1			

Mondeo III Sedan (B4Y)

1.8 16V	10.00 - 02.05	81	1798	4	CGBB/CGBA	CL409	1			year
	03.05 - 03.07	81	1798	4	CGBB/CGBA	CL406	1			year
1.8 16V	10.00 - 02.05	92	1798	4	CHBA/CHBB	CL409	1			year
	03.05 - 03.07	92	1798	4	CHBA/CHBB	CL406	1			year
1.8 SCi	06.03 - 03.07	96	1798	4	CFBA	CL407	4			pencil
2.0 16V	10.00 - 02.05	107	1999	4	CJBA/CJBB	CL409	1			year
	03.05 - 03.07	107	1999	4	CJBA/CJBB	CL406	1			year
2.5 V6 24V	10.00 - 03.07	125	2495	6	LCBD	CL411	1			
3.0 V6 24V	09.04 - 03.07	150	2967	6	REBA	CL411	1			
3.0 ST220	04.02 - 03.07	166	2967	6	MEBA	CL411	1			

Mondeo IV (BA7)

1.6 EcoBoost	02.11 - 09.14	118	1596	4	JTBB	CL414	4			pencil
1.6 Ti	03.07 - 09.14	81	1596	4	RHBA	CL403	1			
1.6 Ti	07.10 - 09.14	88	1596	4	KGBA	CL403	1			
1.6 Ti	03.07 - 09.14	92	1596	4	PNBA	CL403	1			
2.0	03.07 - 09.14	107	1999	4	AOBC/AOBA/TBBA	CL405	4	CP048	4	pencil
2.0 EcoBoost	07.10 - 04.11	176	1999	4	TPBA	CL413	4			year / pencil
	05.11 - 09.14	176	1999	4	TPBA	CL415	4			year / pencil
2.0 Flexifuel	03.09 - 09.14	107	1999	4	TBBB/TBBA	CL405	4	CP048	4	pencil
2.0 LPG	07.09 - 09.14	107	1999	4	TBBA	CL405	4	CP048	4	pencil
2.0 SCTi	03.10 - 04.11	149	1976	4	TNBA	CL413	4			year / pencil
	05.11 - 09.14	149	1976	4	TNBA	CL405	4	CP048	4	year / pencil
2.3	07.07 - 09.14	118	2261	4	SEBA	CL412	4	CP047	4	pencil
2.5	03.07 - 09.14	162	2521	5	HUBA	CL410	5	CP035	5	pencil

Mondeo IV Sedan (BA7)

1.6 Ti	03.07 - 09.14	92	1596	4	PNBA	CL403	1			
2.0	03.07 - 09.14	107	1999	4	AOBC/AOBA/TBBA	CL405	4	CP048	4	pencil
2.0 Flexifuel	03.09 - 09.14	107	1999	4	TBBB/TBBA	CL405	4	CP048	4	pencil
2.0 LPG	07.09 - 09.14	107	1999	4	TBBA	CL405	4	CP048	4	pencil
2.3	07.07 - 09.14	118	2261	4	SEBA	CL412	4	CP047	4	pencil
2.5	03.07 - 09.14	162	2521	5	HUBA	CL410	5	CP035	5	pencil

Mondeo IV Turnier (BA7)

1.6 EcoBoost	02.11 - 09.14	118	1596	4	JTBA	CL414	4			pencil
1.6 Ti	03.07 - 12.12	81	1596	4	RHBA	CL403	1			
1.6 Ti	07.10 - 09.14	88	1596	4	KGBA	CL403	1			
1.6 Ti	03.07 - 12.10	92	1596	4	PNBA	CL403	1			
2.0	03.07 - 09.14	107	1999	4	AOBC/AOBA/TBBA	CL405	4	CP048	4	pencil
2.0 EcoBoost	07.10 - 04.11	176	1999	4	TPBA	CL413	4			year / pencil
	05.11 - 09.14	176	1999	4	TPBA	CL415	4			year / pencil
2.0 Flexifuel	03.09 - 09.14	107	1999	4	TBBB/TBBA	CL405	4	CP048	4	pencil
2.0 LPG	07.09 - 09.14	107	1999	4	TBBA	CL405	4	CP048	4	pencil

model	year	kW	cm ³	cyl	engine	coil	pcs	boot	pcs	info
FORD										
◀ Mondeo IV Turnier (BA7)										
2.0 SCTi	03.10 - 04.11	149	1976	4	TNBA	CL413	4			year / pencil
	05.11 - 09.14	149	1976	4	TNBA	CL405	4	CP048	4	year / pencil
2.3	07.07 - 09.14	118	2261	4	SEBA	CL412	4	CP047	4	pencil
2.5	03.07 - 12.12	162	2521	5	HUBA	CL410	5	CP035	5	pencil
Mondeo V CC										
1.0 EcoBoost	02.15 -	92	999	3	M1CB/M1CA	CL416	3			pencil
Mondeo V Turnier										
1.0 EcoBoost	02.15 -	92	999	3	M1CB/M1CA	CL416	3			pencil
Orion II (AFF)										
1.6	12.85 - 07.90	66	1597	4	LUC	CL400	1			
1.6 i	08.89 - 07.90	75	1597	4	LJB	CL400	1			
Orion III (GAL)										
1.3	07.90 - 12.93	44	1299	4	J6A/J4B	CL400	1			
1.4	07.90 - 12.93	52	1391	4	F6F/F6G	CL400	1			
1.4	07.90 - 12.93	54	1392	4	FUH	CL400	1			
1.6	07.90 - 12.92	66	1598	4	LUJ/LUK	CL400	1			
1.6 i	07.90 - 09.92	77	1598	4	LJF	CL400	1			
1.6 i 16V	07.92 - 12.93	66	1597	4	L1E/L1K	CL400	1			
1.8 i 16V	02.92 - 12.93	77	1796	4	RDA	CL400	1			
1.8 i 16V	01.92 - 12.93	96	1796	4	RQB	CL400	1			
Puma (EC)										
1.4 16V	11.97 - 04.98	66	1388	4	FHD	CL400	1			DIN / year
	05.98 - 10.00	66	1388	4	FHD/FHF	CL401	1			PIN / year / coil design
	05.98 - 10.00	66	1388	4	FHD/FHF	CL409	1			PIN / year / coil design
1.6 16V	08.00 - 06.02	76	1596	4	L1W	CL401	1			coil design
						CL409	1			coil design
1.7 16V	03.97 - 04.98	92	1679	4	MHB/MHA	CL400	1			DIN / year
	05.98 - 06.02	92	1679	4	MHB/MHA	CL401	1			PIN / year
1.7 ST 160	06.99 - 04.00	118	1679	4		CL400	1			DIN / year
	05.00 - 06.02	118	1679	4		CL401	1			PIN / year
Scorpio I (GAE, GGE)										
2.0 i	04.85 - 02.92	85	1993	4	NRI/NRA	CL402	2			twin coil
2.9 i 24V	04.91 - 09.94	143	2933	6	BOA	CL408	1			
Scorpio I Combi (GGE)										
2.9 24V	08.93 - 09.94	143	2933	6	BOA	CL408	1			
Scorpio I Sedan (GGE)										
2.9 i 24V	04.91 - 09.94	143	2933	6	BOA	CL408	1			
Scorpio II (GFR, GGR)										
2.0 i	10.94 - 08.98	85	1998	4	NSD	CL402	2			twin coil
2.0 i 16V	10.94 - 08.98	100	1998	4	N3A	CL404	2			semidirect / pencil
2.3 i 16V	06.96 - 08.98	108	2295	4	Y5A	CL404	2			semidirect / pencil
2.9 i 24V	10.94 - 08.98	152	2933	6	BOB	CL408	1			
Scorpio II Combi (GMR, GGR)										
2.0 i	10.94 - 08.98	85	1998	4	NSD	CL402	2			twin coil
2.0 i 16V	10.94 - 08.98	100	1998	4	N3A	CL404	2			semidirect / pencil
2.3 i 16V	06.96 - 08.98	108	2295	4	Y5A	CL404	2			semidirect / pencil
2.9 i 24V	10.94 - 08.98	152	2933	6	BOB	CL408	1			
Sierra (GBG, GB4)										
1.8	05.88 - 02.93	64	1769	4	R2C/R6A	CL400	1			
Sierra CC (GBC, GBG)										
1.8	05.88 - 02.93	64	1769	4	R2C/R6A	CL400	1			
Sierra Combi (BNG)										
1.8	05.88 - 02.93	64	1769	4	R2C/R6A	CL400	1			
S-MAX (WA6)										
1.6 EcoBoost	02.11 -	118	1596	4	JTWA/JTWB	CL414	4			pencil
2.0	05.06 -	107	1999	4	AOWB/AOWA	CL405	4	CP048	4	pencil
2.0 EcoBoost	07.10 - 04.11	146	1999	4	TNWB	CL413	4			year / pencil
	05.11 -	146	1999	4	TNWB	CL415	4			year / pencil
2.0 EcoBoost	03.10 - 04.11	149	1999	4	TNWA	CL413	4			year / pencil
	05.11 -	149	1999	4	TNWA	CL405	4	CP048	4	year / pencil
2.0 EcoBoost	07.10 - 04.11	176	1999	4	TPWA	CL413	4			year / pencil
	05.11 -	176	1999	4	TPWA	CL415	4			year / pencil
2.0 Flexifuel	05.06 -	107	1999	4	TBWA/TBWB	CL405	4	CP048	4	pencil
2.3	07.07 -	118	2261	4	SEWA	CL412	4	CP047	4	pencil
2.5 ST	05.06 -	162	2521	5	HUWA	CL410	5	CP035	5	pencil
S-MAX										
2.0 EcoBoost	02.15 -	176	1999	4	R9CD/R9CI	CL413	4			pencil
Street Ka (RL2)										
1.6	05.03 - 07.05	70	1599	4	CDRA/CDRB	CL401	1			coil design
						CL409	1			coil design

model	year	kW	cm ³	cyl	engine	coil	pcs	boot	pcs	info
FORD										
Tourneo Connect										
1.8 16V	06.02 - 12.13	85	1796	4	EYPC/EYPA/EYPD	CL401	1			
Grand Tourneo Connect										
1.0 EcoBoost	11.13 -	74	998	3	M2GA/M2GB	CL416	3			pencil
1.6 EcoBoost	11.13 -	110	1596	4	JQGA	CL414	4			pencil
Tourneo Courier Combi										
1.0 EcoBoost	02.14 -	74	998	3	SFCD/SFCC/SFCA/SFCB	CL416	3			pencil
Transit Bus (E_ _)										
2.0	09.95 - 03.00	84	1998	4	NSF/NSG	CL402	2			twin coil
Transit Bus (FD, FB, FS, FZ, FC_ _)										
2.3 16V [RWD]	08.00 - 05.06	107	2295	4	E5FC/E5FA	CL404	2			semidirect / pencil
Transit Connect (P65_ , P70_ , P80_)										
1.8 16V	06.02 - 12.13	85	1796	4	EYPC/EYPA/EYPD	CL401	1			
Transit Connect Van										
1.0 EcoBoost	02.13 -	74	998	3	M2GA	CL416	3			pencil
Transit Courier Combi										
1.0 EcoBoost	02.14 -	74	998	3	SFCD/SFCC/SFCA/SFCB	CL416	3			pencil
Transit Courier Van										
1.0 EcoBoost	02.14 -	74	998	3	SFCD/SFCC/SFCA/SFCB	CL416	3			pencil
Transit Flatbed (E_ _)										
2.0	08.94 - 03.00	84	1998	4	NSF/NSG	CL402	2			twin coil
Transit Flatbed (FM_ , FN_)										
2.3 16V	04.01 - 05.06	107	2295	4	E5FC/E5FA	CL404	2			semidirect / pencil
Transit Flatbed										
2.3 16V [RWD]	04.06 - 08.14	107	2261	4	GZFA/GZFC/GZFB	CL405	4	CP048	4	pencil
2.3 16V CNG [RWD]	04.06 - 08.14	100	2261	4	GZFA	CL405	4	CP048	4	pencil
2.3 16V LPG [RWD]	04.06 - 08.14	107	2261	4	GZFA	CL405	4	CP048	4	pencil
Transit Van (E_ _)										
2.0	06.94 - 03.00	84	1998	4	NSF/NSG	CL402	2			twin coil
Transit Van (FA_ _)										
2.3 16V [RWD]	04.01 - 05.06	107	2295	4	E5FC/E5FA	CL404	2			semidirect / pencil
Transit Van										
2.3 16V [RWD]	04.06 - 08.14	107	2261	4	GZFA/GZFC/GZFB	CL405	4	CP048	4	pencil
2.3 16V CNG [RWD]	04.06 - 08.14	100	2261	4	GZFA	CL405	4	CP048	4	pencil
2.3 16V LPG [RWD]	04.06 - 08.14	107	2261	4	GZFA	CL405	4	CP048	4	pencil
Windstar (A3)										
3.0 V6	03.95 - 02.99	109	2986	6		CL408	1			
FSO										
Polonez III										
1.4 i 16V	09.92 - 03.02	76	1398	4	Rover K16 DOHC	CL302	1			
GAZ										
Gazelle Bus										
2.3	10.93 - 08.01	96	2287	4	ZMZ-4062.10	CL801	1			
Gazelle Flatbed										
2.4	10.93 - 08.01	66	2445	4	ZMZ-402.10	CL801	1			
Gazelle Van										
2.4	10.93 - 08.01	66	2445	4	ZMZ-402.10	CL801	1			
GEELY										
BL Coupe										
1.3	09.05 -	63	1342	4	MR479Q	CL803	1			
1.5	09.05 -	69	1498	4	MR479QA	CL803	1			
CK Sedan										
1.6	09.05 -	79	1587	4	MR481QA	CL803	1			
HONDA										
Accord IV (CB)										
2.0 16V	01.90 - 03.93	81	1997	4	F20A3/F20A2	CL501	1			
2.0 i 16V	01.90 - 03.93	98	1997	4	F20A4/F20A8	CL501	1			
2.2 i 16V	01.90 - 03.93	110	2156	4	F22A3	CL501	1			
2.2 i 16V Automatic	01.90 - 03.93	108	2156	4	F22A3	CL501	1			
Accord IV Aerodeck (CB)										
2.0 i 16V	03.93 - 12.93	98	1997	4	F20Z3	CL501	1			
2.2 i 16V	01.91 - 12.93	108	2156	4	F22A8	CL501	1			
2.2 i 16V	01.91 - 12.93	110	2156	4	F22A7	CL501	1			
Accord IV Coupe (CB, CC)										
2.0 i 16V	01.92 - 09.93	98	1997	4	F20A7	CL501	1			
Accord V (CC, CD)										
2.0 i	03.93 - 01.96	85	1997	4	F20Z2	CL501	1			
2.0 iS	03.93 - 01.96	96	1997	4	F20Z1	CL501	1			
2.3 iSR	03.93 - 01.96	116	2259	4	H23A3	CL501	1			
Accord V (CE, CF)										
1.9 i	02.96 - 10.98	85	1850	4	F18A3	CL569	1			
2.0 iLS	02.96 - 10.98	96	1997	4	F20Z1	CL501	1			

model	year	kW	cm ³	cyl	engine	coil	pcs	boot	pcs	info
HONDA										
Accord V (CE, CF)										
2.2 i VTEC	02.96 - 10.98	110	2156	4	F22Z2	CL569	1			
Accord V Aerodeck (CE)										
2.0 i LS 16V	09.93 - 02.98	100	1997	4	F20B3	CL501	1			
2.2 i ES	09.93 - 02.98	110	2156	4	F22B5	CL501	1			
Accord V Coupe (CD)										
2.0	09.93 - 12.97	100	1997	4	F20B3	CL501	1			
2.2 i ES	09.93 - 02.98	110	2156	4	F22B5	CL501	1			
Accord VI (CG, CK)										
1.6 i	10.98 - 12.02	85	1590	4	D16B6	CL522	4			pencil
1.8 i	10.98 - 12.02	100	1850	4	F18B2	CL569	1			
2.0 i	10.98 - 01.01	108	1997	4	F20B6	CL569	1			
2.2 Type-R	02.99 - 12.02	156	2157	4	H22A7	CL501	1			
2.3	01.01 - 06.03	113	2254	4	F23Z5/F23A1	CL569	1			
Accord VI Coupe (CG)										
2.0 i 16V	02.98 - 06.03	108	1997	4	F20B7/F20B5	CL569	1			
3.0 V6 24V	02.98 - 06.03	147	2997	6	J30A1	CL550	6			pencil
Accord VI Hatchback (CH)										
1.8 i	12.99 - 12.02	100	1850	4	F18B2	CL569	1			
2.0	12.99 - 12.02	108	1997	4	F20B6	CL569	1			
2.3	11.00 - 12.02	113	2254	4	F23Z5	CL569	1			
Accord VII (CL)										
2.0	02.03 - 05.08	114	1998	4	K20A6	CL556	4			pencil
2.0 Allrad	02.03 - 05.08	114	1998	4	K20A6	CL556	4			pencil
2.4	02.03 - 05.08	140	2354	4	K24A3/K24A	CL556	4			pencil
Accord VII Tourer (CM)										
2.0	04.03 - 05.08	114	1998	4	K20A6	CL556	4			pencil
2.4	04.03 - 05.08	140	2354	4	K24A	CL556	4			pencil
Accord VIII (CU)										
2.0 i	07.08 - 06.15	115	1997	4	R20A3	CL596	4			pencil
Accord VIII Combi										
2.0 i	07.08 -	115	1997	4	R20A3	CL596	4			pencil
Civic II Shuttle (EE)										
1.5 i 16V	01.88 - 11.91	69	1493	4	D15B2	CL500	1			
1.6 i 16V 4WD	01.88 - 12.89	80	1590	4	D16A6	CL500	1			1 st coil type
						CL560	1			2 nd coil type
1.6 i 16V 4WD	01.88 - 02.95	81	1590	4	D16A6	CL500	1			
Civic III Hatchback (AL, AJ, AG, AH)										
1.5 GL	10.83 - 10.87	63	1488	4	EW2	CL500	1			
Civic III Sedan (AM, AK, AU)										
1.5 GL	10.83 - 10.87	63	1488	4	EW2	CL500	1			
Civic IV Hatchback (EC, ED, EE)										
1.5 i 16V	10.88 - 09.91	66	1493	4	D15B2	CL560	1			
1.5 i 16V	10.88 - 09.91	69	1493	4	D15B2	CL560	1			
1.6 i 16V	10.87 - 09.91	80	1590	4	D16A6	CL500	1			1 st coil type
						CL560	1			2 nd coil type
1.6 i 16V	10.87 - 09.91	81	1590	4	D16Z2	CL500	1			1 st coil type
						CL560	1			2 nd coil type
1.6 i 16V Vtec	10.89 - 09.91	110	1595	4	B16A1	CL500	1			1 st coil type
						CL560	1			2 nd coil type
Civic IV Sedan (ED)										
1.5 i 16V	10.87 - 09.91	66	1493	4	D15B2	CL500	1			
1.5 i 16V	10.87 - 09.91	69	1493	4	D15B2	CL500	1			
1.6 i 16V	11.87 - 09.91	80	1590	4	D16A6	CL500	1			1 st coil type
						CL560	1			2 nd coil type
1.6 i 16V	10.87 - 09.91	81	1590	4	D16Z2	CL500	1			1 st coil type
						CL560	1			2 nd coil type
1.6 i 16V	09.87 - 09.91	96	1590	4	D16A7	CL500	1			
1.6 i 16V 4x4	10.89 - 09.91	80	1590	4	D16A6	CL500	1			1 st coil type
						CL560	1			2 nd coil type
Civic V Coupe (EJ)										
1.5 i LSi	08.93 - 11.95	74	1493	4	D15B7	CL501	1			
1.6 i	01.94 - 11.95	77	1590	4	D16Y7	CL501	1			
1.6 i Vtec	01.94 - 03.96	92	1590	4	D16Y6/D16Z9	CL501	1			
1.6 i Vtec	01.94 - 11.95	118	1595	4	B16A2	CL501	1			
Civic V Hatchback (EG)										
1.5 i 16V	10.91 - 11.95	66	1493	4	D15B2/D15Z2	CL501	1			
1.5 i 16V	10.91 - 11.95	69	1493	4	D15Z1 /D15B2	CL501	1			
1.6 16V Vtec	10.91 - 11.95	92	1590	4	D16Z6	CL501	1			
1.6 VTi 16V	10.91 - 11.95	118	1595	4	B16A2	CL501	1			
Civic V Sedan (EG, EH)										
1.5 i 16V	10.91 - 11.95	69	1493	4	D15B2	CL501	1			



model	year	kW	cm ³	cyl	engine	coil	pcs	boot	pcs	info
HONDA										
◀ Civic V Sedan (EG, EH)										
1.6 16V Vtec	10.91 - 11.95	92	1590	4	D16Z6/D16Z7	CL501	1			
1.6 VTi 16V	10.91 - 11.95	118	1595	4	B16A2	CL560	1			
Civic VI Aerodeck (MB, MC)										
1.4 16V	04.98 - 02.01	55	1396	4	D14A7	CL501	1			
1.4 16V	04.98 - 02.01	66	1396	4	D14A8	CL501	1			
1.5 16V	04.98 - 02.01	84	1493	4	D15Z8	CL569	1			
1.6 16V	04.98 - 02.01	85	1590	4	D16B2	CL501	1			
1.8 16V	04.98 - 02.01	124	1797	4	B18C4	CL501	1			
Civic VI Coupe (EJ, EM1)										
1.6 i	03.96 - 03.00	77	1590	4	D16Y7	CL501	1			
1.6 i Vtec	03.96 - 03.00	92	1590	4	D16Y8	CL501	1			
1.6 i Vtec	04.99 - 12.00	118	1595	4	B16A2	CL501	1			
Civic VI Fastback (MA, MB)										
1.4 i	09.95 - 02.01	55	1396	4	D14A5/D14A7/D14Z3	CL569	1			
1.4 i	09.94 - 02.01	66	1396	4	D14A8/D14Z4/D14A6/D14A2	CL569	1			
1.5 16V	01.97 - 02.01	84	1493	4	D15Z8	CL501	1			
1.5 i Vtec-E (MA9)	09.94 - 01.97	66	1493	4	D15Z3	CL501	1			
1.6 16V	01.97 - 02.01	85	1590	4	D16B2	CL501	1			
1.6 i	09.94 - 01.97	83	1590	4	D16Y3	CL501	1			
1.6 i Vtec	09.94 - 01.97	93	1590	4	D16Y2	CL501	1			
1.6 VTi	01.97 - 02.01	118	1595	4	B16A2	CL501	1			
1.8 16	01.97 - 02.01	124	1797	4	B18C4	CL501	1			
Civic VI Hatchback (EJ, EK)										
1.4 i	11.95 - 02.01	55	1396	4	D14A3	CL501	1			
1.4 i S	11.95 - 02.01	66	1396	4	D14A4/D14Z4/D14Z2	CL501	1			
1.5 i	11.95 - 02.01	84	1493	4	D15Z6	CL501	1			
1.6 i	11.95 - 02.01	84	1590	4	D16Y5	CL501	1			
1.6 VTi	11.95 - 02.01	118	1595	4	B16A2	CL501	1			
Civic VI Sedan (EJ, EK)										
1.4	11.95 - 10.98	55	1396	4	D14A4	CL501	1			
1.4 i	11.95 - 02.01	66	1396	4	D14A4/D14Z4/D14Z2	CL501	1			
1.5 i	11.95 - 02.01	84	1493	4	D15Z6	CL501	1			
1.6 i Vtec	11.95 - 02.01	92	1590	4	D16Y6/D16Y8	CL501	1			
1.6 VTi	11.95 - 02.01	118	1595	4	B16A2	CL501	1			
Civic VII Coupe (EM2)										
1.6 i	02.01 - 12.05	81	1590	4	D16V1	CL583	4			pencil
1.7 i	05.01 - 12.05	88	1668	4	D17A8	CL550	4			pencil
1.7 i VTEC	05.01 - 12.05	92	1668	4	D17A5/D17A9	CL550	4			pencil
Civic VII Hatchback (EU, EP, EV)										
1.4 i	02.01 - 09.05	55	1396	4	D14Z6	CL583	4			pencil
1.4 i S	02.01 - 09.05	66	1396	4	D14Z5/D14Z6	CL583	4			pencil
1.6 i	02.01 - 09.05	81	1590	4	D16V1	CL583	4			pencil
2.0 i Sport	09.01 - 09.05	118	1998	4	K20A3	CL556	4			pencil
2.0 Type-R	09.01 - 09.05	147	1998	4	K20A2	CL556	4			pencil
Civic VII Sedan (ES)										
1.3 IMA	01.04 - 09.05	61	1339	4	LDA1	CL585	2			pencil / mounting - front side
						CL586	2			pencil / mounting - back side
1.4	12.00 - 09.05	66	1396	4	D14Z5	CL583	4			pencil
1.6	02.01 - 09.05	81	1590	4	D16V1	CL583	4			pencil
1.7	02.01 - 09.05	85	1668	4	D17A6	CL550	4			pencil
1.8	02.01 - 09.05	103	1799	4	R18A1	CL596	4			pencil
Civic VIII Hatchback (FN, FK)										
1.4	09.05 -	61	1339	4	L13A7	CL585	2			pencil / mounting - front side
						CL586	2			pencil / mounting - back side
1.4	10.08 -	73	1339	4	L13Z1	CL585	2			pencil / mounting - front side
						CL586	2			pencil / mounting - back side
1.8	09.05 -	103	1799	4	R18A2	CL596	4			pencil
2.0 Type R	09.06 -	148	1998	4	K20Z4	CL556	4			pencil
Civic VIII Sedan (FD, FA)										
1.3 Hybrid	01.06 -	70	1339	4	LDA2	CL585	2			pencil / mounting - front side
						CL586	2			pencil / mounting - back side
1.8	09.05 - 02.12	103	1799	4	R18A1	CL596	4			pencil
1.8	02.06 -	103	1799	4	R18A2	CL596	4			pencil
Concerto (HW)										
1.5 i 16V	08.89 - 03.95	66	1493	4	D15B2	CL500	1			1 st coil type
						CL560	1			2 nd coil type
1.6 16V	08.89 - 03.95	78	1590	4	D16Z2	CL500	1			
1.6 i 16V	08.89 - 03.95	82	1590	4	D16Z2	CL500	1			
1.6 i 16V	08.89 - 03.95	90	1590	4	D16A8	CL500	1			
Concerto Sedan (HWW)										
1.5 i 16V	08.89 - 05.95	66	1493	4	D15B2	CL500	1			

model	year	kW	cm ³	cyl	engine	coil	pcs	boot	pcs	info
HONDA										
Concerto Sedan (HWW)										
1.6 16V	08.89 - 03.95	78	1590	4	D16Z2	CL500	1			
1.6 i 16V	08.89 - 03.95	82	1590	4	D16Z2	CL500	1			
1.6 i 16V	08.89 - 03.95	90	1590	4	D16A8	CL500	1			
CR-V I (RD)										
2.0 16V	01.99 - 02.02	108	1973	4	B20Z1	CL501	1			
2.0 16V 4WD	10.95 - 01.99	94	1973	4	B20B	CL501	1			
CR-V II (RD_)										
2.0	09.01 - 09.06	110	1998	4	K20A4	CL556	4			pencil
CR-V III (RE)										
2.0 i 4WD	01.07 -	110	1997	4	R20A2	CL556	4			pencil
CRX II (ED, EE)										
1.6 i 16V	10.87 - 02.92	91	1590	4	D16Z5	CL500	1			
1.6 i 16V	10.87 - 12.89	96	1590	4	D16A8/D16A9	CL500	1			
1.6 i 16V Vtec	10.89 - 02.92	110	1595	4	B16A1	CL500	1			
CRX III (EH, EG)										
1.6 ESi	03.92 - 12.98	92	1590	4	D16Y8/D16Z6	CL501	1			
1.6 i VTi	03.92 - 12.98	118	1595	4	B16A2	CL501	1			
FR-V (BE)										
1.7	08.04 -	92	1668	4	D17A2	CL550	4			pencil
1.8	01.07 -	103	1799	4	R18A1	CL596	4			pencil
2.0	02.05 -	110	1998	4	K20A9	CL556	4			pencil
HR-V (GH)										
1.6 16V	03.99 -	77	1590	4	D16W1	CL501	1			
1.6 16V 4WD	03.99 -	77	1590	4	D16W1	CL501	1			
1.6 16V 4WD	10.99 -	91	1590	4	D16W5	CL501	1			
Integra Coupe (DC2, DC4)										
1.8 Type-R	11.97 - 10.01	140	1797	4	B18C6	CL501	1			
Jazz II (GD)										
1.2	03.02 - 07.08	57	1243	4	L12A1	CL585	2			pencil / mounting - front side
						CL586	2			pencil / mounting - back side
1.3	03.02 - 07.08	61	1339	4	L13A1	CL585	2			pencil / mounting - front side
						CL586	2			pencil / mounting - back side
Jazz III (GE)										
1.2	07.08 -	66	1198	4	L12B1	CL585	2			pencil / mounting - front side
						CL586	2			pencil / mounting - back side
1.3 i	07.08 -	73	1339	4	L13Z1	CL585	2			pencil / mounting - front side
						CL586	2			pencil / mounting - back side
Legend I (HS, KA)										
2.5 i	01.86 - 12.87	110	2494	6	C25A1	CL716	1			
2.5 i	02.87 - 06.88	127	2494	6	C25A2	CL716	1			
2.7 i 24V	01.88 - 12.90	124	2675	6	C27A1	CL716	1			
Legend I Coupe (KA3)										
2.7 i 24V	10.87 - 12.90	124	2675	6	C27A1	CL716	1			
Legend IV (KB_)										
3.5 V6 4WD	05.06 -	217	3471	6	J35A8/C35A8	CL550	6			pencil
Logo (GA3)										
1.3	03.99 - 03.02	48	1343	4	D13B7	CL501	1			
Prelude IV (BB)										
2.0 i 16V	02.92 - 09.96	98	1997	4	F20A4	CL501	1			
2.2 i 16V Vtec	02.93 - 09.96	136	2157	4	H22A2	CL501	1			
2.3 i 16V	02.92 - 09.96	118	2259	4	H23A2	CL501	1			
Prelude V (BB)										
2.0 16V	10.96 - 10.00	98	1997	4	F20A4	CL501	1			
2.2 16V	10.96 - 10.00	136	2157	4	H22A2 / H22A5	CL501	1			
2.2 16V	10.96 - 10.00	147	2157	4	H22A5	CL501	1			
Shuttle (RA)										
2.2 16V	10.94 - 02.98	110	2156	4	F22B8	CL501	1			
2.3 16V	10.97 - 06.04	110	2254	4	F23A7	CL569	1			
Stream (RN)										
1.7 16V	05.01 -	92	1668	4	D17A2	CL550	4			pencil
2.0 16V	05.01 -	115	1998	4	K20A1	CL556	4			pencil
Stream										
1.8 Vtec	10.05 -	103	1798	4	R18A2	CL596	4			pencil
HYUNDAI										
Accent I (X-3)										
1.3	10.94 - 01.00	44	1341	4	G4EH	CL502	1			
1.3	10.94 - 01.00	55	1341	4	G4EH	CL502	1			
1.3 i 12V	10.94 - 01.00	62	1341	4	G4EH	CL502	1			
1.5 i 12V	10.94 - 01.00	65	1495	4	G4EK	CL502	1			
Accent Sedan (X-3)										
1.3	10.94 - 01.00	44	1341	4	G4EH	CL502	1			



model	year	kW	cm ³	cyl	engine	coil	pcs	boot	pcs	info
HYUNDAI										
Accent Sedan (X-3)										
1.3	10.94 - 01.00	55	1341	4	G4EH	CL502	1			
1.3 i 12V	10.94 - 01.00	62	1341	4	G4EH	CL502	1			
1.5 i 12V	10.94 - 01.00	65	1495	4	G4EK	CL502	1			
Accent II (LC)										
1.3	01.00 - 11.05	55	1341	4	G4EA	CL524	1			
1.3	01.00 - 11.05	61	1341	4	G4EA	CL524	1			
1.3	08.02 - 11.05	62	1341	4	G4EH	CL524	1			
1.3	01.00 - 11.05	63	1341	4	G4EA	CL524	1			
1.5	01.00 - 11.05	66	1495	4	G4EB	CL502	1			
1.5	09.00 - 11.05	75	1495	4	G4EC-G	CL502	1			
1.6	12.02 - 11.05	77	1599	4	G4ED-G	CL546	1			coil 4xDIN
						CL595	4	CP054	4	pencil
Accent II Sedan (LC)										
1.3	01.00 - 11.05	55	1341	4	G4EA	CL524	1			
1.3	01.00 - 11.05	63	1341	4	G4EA	CL524	1			
1.5	01.00 - 11.05	66	1495	4	G4EB	CL502	1			
1.6	12.02 - 11.05	77	1599	4	G4ED-G	CL546	1			coil 4xDIN
						CL595	4	CP054	4	pencil
Accent III (MC)										
1.4 GL	11.05 - 11.10	71	1399	4	G4EE	CL546	1			coil 4xDIN
						CL595	4	CP054	4	pencil
1.6 GLS	11.05 - 11.10	82	1599	4	G4ED	CL546	1			coil 4xDIN
						CL595	4	CP054	4	pencil
Accent III Sedan (MC)										
1.4 GL	11.05 - 11.10	71	1399	4	G4EE	CL546	1			coil 4xDIN
						CL595	4	CP054	4	pencil
1.6 GLS	11.05 - 11.10	82	1599	4	G4ED	CL546	1			coil 4xDIN
						CL595	4	CP054	4	pencil
Accent IV (RB)										
1.4	11.10 -	79	1396	4	G4FA	CL584	4			pencil
1.6	11.10 -	90	1591	4	G4FC	CL584	4			pencil
Accent IV Sedan (RB)										
1.4	11.10 -	80	1396	4	G4FA	CL584	4			pencil
1.4	11.10 -	74	1368	4	G4LC	CL584	4			pencil
1.6	11.10 -	90	1591	4	G4FC	CL584	4			pencil
1.6	11.10 -	91	1591	4	G4FC	CL584	4			pencil
Atos (MX)										
1.0 i	02.98 - 08.00	40	999	4	G4HC	CL519	1			with distributor / year
	08.00 - 03.02	40	999	4	G4HC	CL523	1			without distributor / year
1.0 i	03.01 -	43	999	4	G4HC-E	CL523	1			
1.1	03.04 -	46	1086	4	G4HG	CL541	1			
Atos Prime (MX)										
1.0 i	08.99 - 08.00	40	999	4	G4HC	CL519	1			with distributor / year
	08.00 -	40	999	4	G4HC	CL523	1			without distributor / year
1.0 i	03.01 -	43	999	4	G4HC-E	CL523	1			
1.1	06.03 -	43	1086	4	G4HD	CL523	1			
1.1	09.05 -	46	1086	4	G4HG	CL541	1			
Coupe (RD)										
1.6 16V	03.98 - 06.00	85	1599	4	G4GR	CL503	1			
1.6 i 16V	12.96 - 06.00	84	1599	4	4G61	CL503	1			
2.0 16V	03.01 - 04.02	99	1975	4	G4DF	CL503	1			
2.0 16V	08.96 - 04.02	102	1975	4	G4GF	CL503	1			
Coupe (GK)										
1.6 16V	03.02 - 08.09	77	1599	4	G4ED-G	CL546	1			
1.6 16V	03.02 - 08.09	79	1599	4	G4ED-G	CL546	1			
2.0	08.01 - 08.09	100	1975	4	G4GC-G	CL539	1			
2.0	03.02 - 08.09	102	1975	4	G4GC-G	CL539	1			connector with 5 pins
						CL565	1			connector with 3 pins
2.0 GLS	02.03 - 08.09	105	1975	4	G4GC-G	CL539	1			
2.7 V6	01.07 - 08.09	121	2656	6	G6BA-G	CL527	1			
2.7 V6	03.02 - 08.09	123	2656	6	G6BA-G	CL527	1			
Elantra (XD)										
1.6	06.00 - 07.06	66	1599	4	G4GR	CL503	1			
1.6	05.03 - 07.06	77	1599	4	G4ED-G	CL546	1			
1.6	06.00 - 07.06	79	1599	4	G4ED-G	CL546	1			
1.8	06.00 - 07.06	97	1795	4	G4BB	CL539	1			
2.0	06.00 - 07.06	102	1975	4	G4GC-G	CL539	1			
2.0	06.00 - 07.06	104	1975	4	G4GC	CL539	1			
2.0	10.03 - 07.06	105	1975	4	G4GC	CL565	1			
Elantra Sedan (XD)										
1.6	06.00 - 07.06	66	1599	4	G4GR	CL503	1			

model	year	kW	cm ³	cyl	engine	coil	pcs	boot	pcs	info
HYUNDAI										
Elantra Sedan (XD)										
1.6	05.03 - 07.06	77	1599	4	G4ED-G	CL546	1			
1.6	06.00 - 07.06	79	1599	4	G4ED-G	CL546	1			
1.8	06.00 - 07.06	97	1795	4	G4BB	CL539	1			
2.0	06.00 - 07.06	102	1975	4	G4GC-G	CL539	1			
2.0	06.00 - 07.06	104	1975	4	G4GC	CL539	1			
2.0	10.03 - 07.06	105	1975	4	G4GC	CL565	1			
Elantra Sedan (MD, UD)										
1.6	06.11 -	97	1591	4	G4FG	CL584	4			pencil
Equus / Centennial										
4.5	10.99 - 09.03	195	4498	8	8A80	CL902	8			pencil
4.6 V8	03.09 -	269	4627	8	G8BA	CL902	8			pencil
4.6 V8	03.09 -	274	4627	8	G8BA	CL902	8			pencil
5.0 GDi	03.09 -	316	5038	8	G8BE	CL902	8			pencil
Galloper I										
3.0 V6	08.91 - 07.98	104	2972	6	G672	CL540	1			
Galloper II (JK-01)										
3.0 V6	08.98 - 12.03	104	2972	6	G6AT	CL558	1			
Genesis (BH)										
3.8 V6	01.08 -	213	3778	6	G6DA	CL593	6			pencil
Genesis Coupe										
2.0 T	01.08 -	157	1998	4	G4KF	CL902	4			pencil
2.0 T	04.12 -	204	1998	4	G4KF	CL902	4			pencil
3.8 V6	01.08 -	223	3778	6	G6DA	CL593	6			pencil
Getz (TB)										
1.1	09.02 - 09.05	46	1086	4	G4HD	CL551	1			
1.1	09.05 - 06.09	49	1086	4	G4HD	CL551	1			
1.3	09.03 - 09.05	63	1341	4	G4EA	CL524	1			
1.3 i	09.02 - 03.04	60	1341	4	G4EA	CL524	1			
1.4 i	08.05 -	71	1399	4	G4EE	CL503	1			
1.6	09.02 - 09.05	77	1599	4	G4ED-G	CL546	1			
1.6	08.05 -	78	1599	4	G4ED-G	CL546	1			
Grandeur (TG)										
2.7	05.06 -	141	2656	6	G6BA	CL908	6	CP055	6	pencil
3.3	04.05 -	173	3342	6	G6DB	CL593	6			pencil
3.8	06.05 -	195	3778	6	G6DA	CL593	6			pencil
H-1 / Starex										
2.4	06.97 - 07.01	82	2351	4	G4CS	CL525	1			with distributor / year
	08.01 - 04.04	82	2351	4	G4CS	CL515	2	CP012	2	semidirect / pencil / year
2.4 4WD	02.98 - 07.01	82	2351	4	G4CS	CL525	1			with distributor / year
	08.01 - 04.04	82	2351	4	G4CS	CL515	2	CP012	2	semidirect / pencil / year
2.4 4WD	06.01 - 04.04	99	2351	4	G4JS	CL515	2	CP012	2	semidirect / pencil
H-1 Van										
2.4	03.00 - 04.04	82	2351	4	G4CS	CL525	1			
H100 Bus (P)										
2.4	01.97 - 03.00	84	2351	4	G4CS	CL525	1			
2.4	07.93 - 03.00	90	2351	4	G4CS	CL525	1			
H100 Van										
2.4	10.97 - 12.04	82	2351	4	G4CS	CL525	1			
2.4	07.93 - 07.97	90	2351	4	G4CS	CL525	1			
i10 (PA)										
1.0	01.11 -	51	998	3	G3LA	CL903	3			pencil
1.1	01.08 -	49	1086	4	G4HG	CL541	1			
1.1	04.11 -	51	1086	4	G4HG	CL541	1			
1.2	11.08 -	57	1248	4	G4LA	CL904	4			pencil
1.2	04.11 -	63	1248	4	G4LA	CL904	4			pencil
i10 (IA)										
1.0	12.13 -	49	998	3	G3LA	CL903	3			pencil
1.0 LPG	02.14 -	51	998	3	B3LA	CL903	3			pencil
i20 (PB, PBT)										
1.2	09.08 -	57	1248	4	G4LA	CL904	4			pencil
1.4	09.08 -	74	1396	4	G4FA	CL584	4			pencil
1.6	09.08 -	93	1591	4	G4FC	CL584	4			pencil
i20 (GB)										
1.2	11.14 -	55	1248	4	G4LA	CL904	4			pencil / with start/stop system
1.2	11.14 -	62	1248	4	G4LA	CL904	4			pencil / with start/stop system
i30 (FD)										
1.4	10.07 - 11.11	77	1396	4	G4FA	CL566	4			pencil
1.4	10.07 - 11.11	80	1396	4	G4FA	CL566	4			pencil
1.6	10.07 - 11.11	85	1591	4	G4FC	CL566	4			pencil OEM No. 27301-2B000
						CL584	4			pencil OEM No. 27301-2B010
1.6	10.07 - 11.11	90	1591	4	G4FC	CL566	4			pencil



model	year	kW	cm ³	cyl	engine	coil	pcs	boot	pcs	info
HYUNDAI										
i30 (FD)										
1.6	02.08 - 11.11	93	1591	4	G4FC	CL584	4			pencil
2.0	10.07 - 11.11	105	1975	4	G4GC-G/G4GC	CL901	1			
i30 (GD)										
1.4	12.11 -	73	1396	4	G4FA	CL584	4			pencil
1.6 GDI	12.11 -	99	1591	4	G4FD	CL926	4			pencil
i30 Coupe										
1.4	05.13 -	73	1396	4	G4FA	CL584	4			pencil
1.6 GDI	05.13 -	99	1591	4	G4FD	CL926	4			pencil
i30 CW (FD)										
1.6	02.08 - 06.12	85	1591	4	G4FC	CL584	4			pencil
1.6	02.08 - 06.12	90	1591	4	G4FC	CL584	4			pencil
1.6	02.08 - 06.12	93	1591	4	G4FC	CL584	4			pencil
i30 CW (GD)										
1.6	06.12 -	95	1591	4	G4FG	CL584	4			pencil
1.6 GDI	06.12 -	99	1591	4	G4FD	CL926	4			pencil
i40 (VF)										
1.6 GDI	03.12 -	99	1591	4	G4FD	CL926	4			pencil
2.0 GDI	03.12 -	131	1999	4	G4NC	CL908	4	CP055	4	pencil
i40 CW (VF)										
1.6 GDI	07.11 -	99	1591	4	G4FD	CL926	4			pencil
2.0 GDI	07.11 -	130	1999	4	G4NC	CL909	4			pencil
ix20 (JC)										
1.4	11.10 -	66	1396	4	G4FA	CL584	4			pencil
ix35 (LM, EL, ELH)										
1.6	11.10 -	99	1591	4	G4FD	CL926	4			pencil
Lantra I (J-1)										
1.5 i.e.	10.90 - 11.95	63	1468	4	G15B/G4DJ	CL508	1			
1.6 i.e. 16V	10.90 - 11.95	78	1596	4	G4CR	CL526	1			
1.6 i.e. 16V	10.90 - 11.95	84	1596	4	G4CR	CL526	1			
1.8 i.e. 16V	10.90 - 11.95	93	1836	4	G4CN	CL526	1			
Lantra II (J-2)										
1.5 12V	12.96 - 09.00	65	1495	4	G4EK	CL502	1			
1.6 16V	11.95 - 09.00	84	1599	4	4G61	CL503	1			
1.6 i	11.95 - 09.00	66	1599	4	G4GR	CL503	1			
1.8 16V	11.95 - 09.00	94	1795	4	G4GM	CL503	1			
2.0 16V	08.96 - 09.00	102	1975	4	G4GF	CL503	1			
Lantra II Wagon (J-2)										
1.5 12V	04.97 - 10.00	65	1495	4	G4EK	CL502	1			
1.6 16V	02.96 - 10.00	84	1599	4	4G61	CL503	1			
1.6 i	02.96 - 10.00	66	1599	4	G4GR	CL503	1			
1.8 16V	02.96 - 10.00	94	1795	4	G4GM	CL503	1			
2.0 16V	12.96 - 10.00	102	1975	4	G4GF	CL503	1			
Matrix (FC)										
1.6	06.01 - 08.10	76	1599	4	G4ED-G	CL546	1			
1.6	01.02 - 12.05	66	1599	4	G4ED-L	CL546	1			
1.8	06.01 - 08.10	90	1795	4	G4GB-G	CL539	1			connector with 5 pins
						CL565	1			connector with 3 pins
Pony (X-2)										
1.3	10.89 - 01.95	43	1299	4	G4DG	CL508	1			
1.3	10.89 - 01.95	49	1299	4	G4DG	CL508	1			
1.5	10.89 - 01.95	53	1468	4	G15B/G4DJ	CL508	1			
1.5 i	10.89 - 01.95	61	1468	4	G15B/G4DJ	CL508	1			
1.5 i	10.89 - 01.95	62	1468	4	G15B/G4DJ	CL508	1			
Pony / Excel Sedan (X-2)										
1.3	01.90 - 01.95	49	1299	4	G4DG	CL508	1			
1.5	01.90 - 01.95	53	1468	4	G15B/G4DJ	CL508	1			
1.5 i	01.90 - 01.95	61	1468	4	G15B/G4DJ	CL508	1			
1.5 i	01.90 - 01.95	62	1468	4	G15B/G4DJ	CL508	1			
S Coupe (SLC)										
1.5 i	02.90 - 05.96	62	1468	4	G15B/G4DJ	CL508	1			
1.5 i	04.92 - 05.96	65	1495	4	G4EK	CL508	1			
1.5 i Turbo	04.91 - 05.96	85	1495	4	G4EK-TC	CL508	1			
Santa Fé I (SM)										
2.0	08.01 - 03.06	99	1997	4	G4BP	CL515	2	CP012	2	semidirect / pencil
2.4 16V	02.01 - 03.06	100	2351	4	G4JS-G	CL515	2	CP012	2	semidirect / pencil
2.4 16V	02.01 - 03.06	107	2351	4	G4JS-G	CL515	2	CP012	2	semidirect / pencil
2.4 16V 4x4	02.01 - 03.06	100	2351	4	G4JS-G	CL515	2	CP012	2	semidirect / pencil
2.4 16V 4x4	02.01 - 03.06	107	2351	4	G4JS-G	CL515	2	CP012	2	semidirect / pencil
2.7 V6 4x4	02.01 - 03.06	127	2656	6	G6BA-G	CL527	1			
Santa Fé II (CM)										
2.4	11.10 -	128	2359	4	G4KE	CL593	4			pencil

model	year	kW	cm ³	cyl	engine	coil	pcs	boot	pcs	info
HYUNDAI										
Santa Fé II (CM)										
2.4 4x4	07.10 -	128	2359	4	G4KE	CL593	4			pencil
2.7	01.07 -	125	2657	6	G6BA	CL590	3	CP053	3	pencil / right side
						CL908	3	CP055	3	pencil / left side
2.7 4x4	01.07 -	125	2657	6	G6BA	CL590	3	CP053	3	pencil / right side
						CL908	3	CP055	3	pencil / left side
2.7 V6 GLS	01.07 -	139	2656	6	G6EA	CL590	3	CP053	3	pencil / right side
						CL908	3	CP055	3	pencil / left side
2.7 V6 GLS 4x4	01.07 -	139	2656	6	G6EA	CL590	3	CP053	3	pencil / right side
						CL908	3	CP055	3	pencil / left side
Santa Fé III (DM)										
2.4	09.12 -	141	2359	4	G4KJ	CL902	4			pencil
2.4 4WD	09.12 -	141	2359	4	G4KJ	CL902	4			pencil
Santamo										
2.0 16V	05.99 -	102	1997	4	G4JP	CL532	1			
2.0 16V 4x4	05.99 -	102	1997	4	G4CP	CL532	1			
Sonata II (Y-2)										
2.0 i	01.91 - 10.93	80	1997	4	G4CP-U	CL526	1			
2.0 i 16V	01.91 - 10.93	96	1997	4	G4CP-D	CL526	1			
3.0 i V6	01.91 - 10.93	107	2972	6	G6AT	CL525	1			
Sonata III (Y-3)										
1.8 i	05.93 - 06.98	72	1796	4	G4CM	CL525	1			
2.0 i	08.96 - 06.98	70	1997	4	G4EP	CL525	1			
2.0 i	06.94 - 08.96	77	1997	4	G4CP	CL525	1			
2.0 i 16V	06.96 - 06.98	92	1997	4	G4CP-DM	CL526	1			
2.0 i 16V	05.93 - 06.98	102	1997	4	G4CP-D	CL526	1			
3.0 i V6	05.93 - 06.98	107	2972	6	G6AT	CL525	1			
Sonata IV (EF)										
2.0 16V	10.01 - 11.04	96	1997	4	G4JP-EG	CL515	2	CP012	2	semidirect / pencil
2.0 16V	06.98 - 10.01	100	1997	4	G4JP-G	CL515	2	CP012	2	semidirect / pencil
2.4 16V	03.98 - 10.01	105	2351	4	G4BS	CL515	2	CP012	2	semidirect / pencil
2.5 V6 24V	06.98 - 10.01	118	2493	6	G6BV-G	CL528	1			
2.7 V6	10.01 - 11.04	127	2656	6	G6BA-G	CL528	1			
Sonata V (NF)										
2.0 VVTi GLS	05.05 -	106	1997	4	G4KA	CL909	4			pencil
2.0 VVTi GLS	01.08 -	121	1997	4	G4KD	CL909	4			pencil
2.4	01.05 -	119	2359	4	G4KC	CL593	4			pencil
3.3	01.05 -	171	3342	6	G6DB	CL593	6			pencil
3.3	06.05 -	173	3342	6	G6DB	CL593	6			pencil
3.3	01.08 -	184	3342	6	G6DB	CL593	6			pencil
Sonata VI (YF)										
2.0	01.09 -	110	1998	4	G4KD	CL902	4			pencil
2.0 i	01.11 -	121	1998	4	G4KD	CL908	4	CP055	4	pencil
2.4	01.09 -	131	2359	4	G4KC	CL902	4			pencil
2.4	01.09 -	128	2359	4	G4KC	CL902	4			pencil
Trajat (FO)										
2.0	03.00 - 02.04	100	1997	4	G4JP-G	CL565	1			coil 4xDIN / year
	02.04 - 07.08	100	1997	4	G4JP-G	CL515	2	CP012	2	semidirect / pencil / year
2.0	01.04 - 02.04	103	1975	4	G4GC-G	CL565	1			coil 4xDIN / year
	02.04 - 07.08	103	1975	4	G4GC-G	CL515	2	CP012	2	semidirect / pencil / year
2.7 V6	09.00 - 07.08	127	2656	6	G6BA-G	CL528	1			
Tucson (JM)										
2.0	08.04 - 03.10	104	1975	4	G4GC	CL515	2	CP012	2	semidirect / pencil
						CL565	1			coil 4xDIN
2.0 Allrad	08.04 - 03.10	104	1975	4	G4GC	CL515	2	CP012	2	semidirect / pencil
						CL565	1			coil 4xDIN
2.7 Allrad	08.04 - 03.10	129	2656	6	G6BA-G	CL932	1			
Veloster (FS)										
1.6 GDI	03.11 -	103	1591	4	G4FD	CL926	4			pencil
1.6 MPI	04.11 -	97	1591	4	G4FG	CL584	4			pencil
1.6 T-GDI	10.12 -	137	1591	4	G4FJ	CL926	4			pencil
XG (XG)										
30	12.98 - 12.05	138	2972	6	G6CT-G	CL552	3			semidirect / pencil
350	10.02 - 12.05	145	3497	6	G6CU	CL552	3			semidirect / pencil
INFINITI										
FX										
45	02.03 - 12.08	232	4494	8	VK45DE	CL916	8	CP019	8	pencil
45 Allrad	01.03 - 12.08	232	4494	8	VK45DE	CL916	8	CP019	8	pencil
45 Allrad	09.02 - 12.05	235	4494	8	VK45DE	CL916	8	CP019	8	pencil
45 Allrad	09.05 - 12.08	239	4494	8	VK45DE	CL916	8	CP019	8	pencil
50 AWD	10.08 -	287	5026	8	VK50VE	CL911	8	CP019	8	pencil
50 AWD	06.13 -	309	5026	8	VK50VE	CL911	8	CP019	8	pencil

model	year	kW	cm ³	cyl	engine	coil	pcs	boot	pcs	info
INFINITI										
G20										
2.0	01.90 - 12.97	85	1998	4	SR20DE	CL509	1			
I30										
3.0	01.97 -	142	2988	6	VQ30DE	CL535	3	CP020	3	pencil / right side
						CL536	3	CP021	3	pencil / left side
								CP023	3	right side / 2 nd COP boot
								CP024	3	left side / 2 nd COP boot
M45										
4.5	09.06 - 12.10	242	4494	8	VK45DE	CL916	8	CP019	8	pencil
4.5X	09.07 - 12.10	242	4494	8	VK45DE	CL916	8	CP019	8	pencil
4.5	01.05 -	250	4494	8	VK45DE	CL916	8	CP019	8	pencil
4.5X	09.07 - 12.08	250	4494	8	VK45DE	CL916	8	CP019	8	pencil
QX4										
3.3	01.97 -	125	3275	6	VG33E	CL913	5			pencil for cyl 2 - 3 - 4 - 5 - 6
						CL914	1			pencil for cyl 1
JAGUAR										
XF (J05 , CC9)										
2.0	06.12 - 04.15	177	1999	4	204PT	CL415	4			pencil
XJ (X35 , J12 , J24)										
2.0	05.12 -	177	1999	4	204PT	CL415	4			pencil
JEEP										
Commander (XK)										
3.7 V6 4x4	09.05 - 12.10	157	3701	6	EKG	CL709	6			pencil
4.7 V8 4x4	09.05 - 12.10	170	4701	8	EVA	CL709	8			pencil
5.7 V8 4x4	09.05 - 12.10	240	5654	8	EZB	CL718	8	CP064	16	pencil / twin coil
Compass (MK49)										
2.0	05.11 -	115	1998	4	ECN			CP066	4	for pencil coil
2.4	08.06 -	125	2359	4	ED3/ERZ			CP066	4	for pencil coil
2.4 4x4	09.06 -	125	2359	4	ED3/ERZ			CP066	4	for pencil coil
Grand Cherokee I (ZJ)										
4.0 i 4x4 (Z)	10.95 - 12.97	130	3960	6	S01	CL712	1			year
	01.98 - 04.99	130	3960	6	S01	CL713	1			year
4.0 i 4x4 (ZJ)	09.91 - 12.97	132	3964	6	ERH	CL712	1			year
	01.98 - 04.99	132	3964	6	ERH	CL713	1			year
4.0 i 4x4 (ZJ)	09.91 - 12.97	135	3964	6	MX	CL712	1			year
	01.98 - 04.99	135	3964	6	MX	CL713	1			year
4.0 Laredo	10.96 - 12.97	131	3964	6	ERH	CL712	1			year
	01.98 - 09.98	131	3964	6	ERH	CL713	1			year
5.2	10.96 - 12.97	164	5210	8	ELF	CL712	1			year
	01.98 - 09.98	164	5210	8	ELF	CL713	1			year
5.2 4x4	10.96 - 12.97	164	5210	8	ELF	CL712	1			year
	01.98 - 09.98	164	5210	8	ELF	CL713	1			year
5.2 4x4 (Z)	10.95 - 12.97	156	5216	8	Y01	CL712	1			year
	01.98 - 04.99	156	5216	8	Y01	CL713	1			year
5.2 i 4x4 (ZJ)	01.92 - 04.99	155	5210	8	ELF	CL712	1			
5.2 i 4x4 (ZJ)	09.92 - 04.99	158	5210	8	Y	CL712	1			
5.2 Limited 4x4	10.96 - 12.97	136	5210	8	ELF	CL712	1			year
	01.98 - 09.98	136	5210	8	ELF	CL713	1			year
5.9 i 4x4	08.97 - 04.99	177	5901	8		CL713	1			
Grand Cherokee II (WJ, WG)										
4.7 V8	10.04 - 09.05	167	4701	8	EVA	CL709	8			pencil
4.7 V8 4x4	04.99 - 08.00	162	4701	8	EVA	CL709	8			pencil
4.7 V8 4x4	04.99 - 09.05	164	4701	8	EVA	CL709	8			pencil
4.7 V8 4x4	06.03 - 09.05	167	4701	8	EVA	CL709	8			pencil
4.7 V8 4x4	10.01 - 09.05	190	4701	8	EVC	CL709	8			pencil
Grand Cherokee III (WH, WK)										
3.7 V6 4x4	06.05 - 12.10	157	3701	6	EKG	CL709	6			pencil
4.7 V8 4x4	06.05 - 12.10	170	4701	8	EVA	CL709	8			pencil
5.7 V8 4x4	01.06 - 12.10	240	5654	8	EZB	CL718	8	CP064	16	pencil / twin coil
6.1 SRT8 4x4	03.06 - 12.10	313	6059	8	ESF	CL718	8	CP064	16	pencil / twin coil
Cherokee (XJ)										
2.5	10.95 - 12.97	89	2469	4	EPE	CL712	1			year
	01.98 - 09.01	89	2469	4	EPE	CL713	1			year
2.5	10.90 - 09.96	89	2464	4	EPE	CL712	1			
2.5	10.86 - 09.90	90	2464	4	EPE	CL712	1			
2.5 4x4	10.86 - 09.90	90	2464	4	EPE	CL712	1			
2.5 i 4x4	10.84 - 12.97	87	2464	4	EPE	CL712	1			year
	01.98 - 09.01	87	2464	4	EPE	CL713	1			year
2.5 i 4x4	12.91 - 12.97	90	2469	4	EPE/HX	CL712	1			year
	01.98 - 09.01	90	2469	4	EPE/HX	CL713	1			year
2.5 SE	10.96 - 12.97	87	2464	4	EPE	CL712	1			year
	01.98 - 09.99	87	2464	4	EPE	CL713	1			year

model	year	kW	cm ³	cyl	engine	coil	pcs	boot	pcs	info
JEEP										
Cherokee (XJ)										
4.0 i	07.98 - 09.01	127	3960	6		CL712	1			coil 1xSAE
								CP014	6	for rail coil
4.0 i	12.91 - 09.01	135	3964	6	MX	CL712	1			
4.0 i	02.99 - 09.01	135	3960	6	MX	CL712	1			
4.0 i	01.88 - 09.01	136	3964	6	ERH	CL712	1			
4.0 i 4x4	01.95 - 09.01	131	3964	6	ERH	CL712	1			coil 1xSAE
								CP014	6	for rail coil
Cherokee (KJ)										
2.4 4x4	09.01 - 01.08	108	2429	4	ED1	CL706	1			
3.7 4x4	09.01 - 01.08	155	3698	6	EKG	CL709	6			pencil
3.7 4x4	08.03 - 01.08	150	3700	6	EKG	CL709	6			pencil
3.7 Laredo	10.01 - 09.04	150	3700	6	EKG	CL709	6			pencil
Cherokee (KK)										
3.7 V6 4x4	01.08 -	151	3700	6	EKG	CL709	6			pencil
Patriot (MK74)										
2.4 4x4	01.08 -	125	2359	4	ED3			CP066	4	for pencil coil
Wrangler I (YJ, SJ)										
2.5	12.91 - 08.96	89	2464	4	EPE	CL712	1			
4.0	12.91 - 08.96	131	3964	6	ERH	CL712	1			
Wrangler II (TJ)										
2.5	08.96 - 12.97	87	2464	4	P00	CL712	1			year
	01.98 - 04.07	87	2464	4	P00	CL713	1			year
4.0	06.98 - 04.07	124	3960	6		CL713	1			coil 1xSAE
								CP014	6	for rail coil
4.0	08.96 - 12.97	130	3960	6	S01	CL712	1			year
	01.98 - 04.07	130	3960	6	S01	CL713	1			year
4.0 Rubicon	08.03 - 04.07	128	3960	6		CL713	1			coil 1xSAE
								CP014	6	for rail coil
KIA										
Avella										
1.3	11.95 - 12.01	55	1324	4	B3	CL558	1			
1.5	02.97 - 12.01	55	1498	4		CL558	1			
Avella CC										
1.3	11.95 - 12.01	55	1324	4	B3	CL558	1			
1.5	02.97 - 12.01	55	1498	4		CL558	1			
Carens I (FC)										
1.8 i	11.00 - 07.02	81	1793	4	T8	CL505	2	CP010	2	semidirect / pencil
Carens II (FJ)										
1.6	04.03 - 09.05	77	1594	4	GA6D	CL530	1			
1.8	07.02 -	93	1793	4	TB	CL505	2	CP010	2	semidirect / pencil
2.0 CVT	08.04 -	102	1975	4	G4GC	CL565	1			
Carens III (UN)										
1.6 CVT	10.10 -	93	1591	4	G4FC	CL584	4			pencil
1.6 CVT	08.09 -	97	1591	4	G4FC	CL584	4			pencil
2.0 CVT	09.06 -	106	1998	4	G4KA	CL593	4			pencil
Carens IV										
1.6	03.13 -	99	1591	4	G4FD	CL926	4			pencil
2.0	03.13 -	130	1999	4	G4NC	CL908	4	CP055	4	pencil
Carnival I (UP)										
2.5 V6	08.99 - 10.01	121	2497	6	KRV6	CL531	1			
Carnival II (GQ)										
2.5 V6	10.01 -	110	2497	6	K5	CL531	1			
3.5	07.02 -	143	3497	6	G6CU	CL552	3			semidirect / pencil
Carnival / Grand Carnival III (VQ)										
2.7 V6	06.06 -	139	2656	6	G6EA	CL590	6	CP053	6	pencil
Cee'd										
1.4 CVT	05.12 -	66	1396	4	G4FA-L	CL584	4			pencil
1.6 GDI	05.12 -	99	1591	4	G4FD	CL926	4			pencil
Cee'd Sportswagon										
1.4 CVT	09.12 -	73	1396	4	G4FA	CL584	4			pencil
1.6 GDI	09.12 -	99	1591	4	G4FD	CL926	4			pencil
Cee'd CC (ED)										
1.4	12.06 -	77	1396	4	G4FA	CL566	4			pencil
1.4	12.06 -	80	1396	4	G4FA	CL566	4			pencil
1.4 CVT	06.10 -	66	1396	4	G4FA-L	CL566	4			pencil
1.6	09.07 -	85	1591	4	G4FC	CL566	4			pencil
1.6	12.06 -	90	1591	4	G4FC	CL566	4			pencil
1.6	02.08 -	93	1591	4	G4FC	CL566	4			pencil
1.6 CVT	10.10 -	92	1591	4	G4FC	CL566	4			pencil
2.0	12.06 -	105	1975	4	G4GC	CL901	1			

model	year	kW	cm ³	cyl	engine	coil	pcs	boot	pcs	info
KIA										
Cee'd SW (ED)										
1.4	10.10 -	77	1396	4	G4FA	CL584	4			pencil
1.4	09.07 -	80	1396	4	G4FA	CL566	4			pencil
1.4 CWVT	10.10 -	66	1396	4	G4FA-L	CL566	4			pencil
1.6	09.07 -	85	1591	4	G4FC	CL566	4			pencil
1.6	09.07 -	90	1591	4	G4FC	CL566	4			pencil
1.6	09.07 -	93	1591	4	G4FC	CL566	4			pencil
1.6 CWVT	06.09 -	92	1591	4	G4FC	CL566	4			pencil
2.0	09.07 -	105	1975	4	G4GC	CL901	1			
Cerato (LD)										
1.6	07.04 -	77	1599	4	G4ED	CL546	1			
1.6	05.06 -	90	1591	4	G4FC	CL566	4			pencil
2.0	04.04 -	105	1975	4	G4GC	CL565	1			
Cerato Sedan (LD)										
1.6	04.04 -	77	1599	4	G4ED	CL546	1			
1.6	05.06 -	90	1591	4	G4FC	CL566	4			pencil
2.0	04.04 -	105	1975	4	G4GC	CL565	1			
Cerato II Sedan (TD)										
1.6	01.10 -	93	1591	4	G4FC	CL584	4			pencil
2.0	01.09 -	115	1998	4	G4KD	CL902	4			pencil
Clarus (K9A)										
1.8 i 16V	07.96 -	85	1793	4	T8	CL505	2	CP010	2	semidirect / pencil
2.0 i 16V	07.96 -	98	1998	4	FE (16V)	CL545	1			
Clarus Combi (GC)										
1.8 i 16V	05.98 -	85	1793	4	T8	CL505	2	CP010	2	semidirect / pencil
2.0 i 16V	05.98 -	98	1998	4	FE (16V)	CL545	1			
Joice										
2.0	09.01 -	88	1997	4	G4CP	CL532	1			
2.0	02.00 -	102	1997	4	G4CP	CL532	1			
Magentis (GD)										
2.0	05.01 -	100	1997	4	G4JP	CL515	2	CP012	2	semidirect / pencil
2.5 V6	05.01 -	124	2493	6	G6BV	CL528	1			
Magentis (MG)										
2.0	07.09 -	121	1998	4	G4KD	CL902	4			pencil
2.7	11.05 -	138	2656	6	G6EA	CL590	6	CP053	6	pencil
Opirus (GH)										
3.5	09.03 -	149	3497	6	G6CU	CL553	3	CP011	6	semidirect / pencil
3.8 V6	10.06 -	196	3778	6	G6DA	CL593	6			pencil
Optima										
2.0	03.12 -	125	1999	4	G4KD	CL902	4			pencil
2.0	09.10 -	204	1998	4		CL902	4			pencil
2.0 CWL	03.12 -	121	1999	4	G4KD	CL902	4			pencil
Picanto (BA)										
1.0	04.04 -	45	999	4	G4HE	CL541	1			
1.0	11.09 -	46	999	4	G4HE	CL541	1			
1.1	04.04 -	48	1086	4	G4HG	CL541	1			
Picanto (TA)										
1.0	05.11 -	51	998	3	G3LA	CL903	3			pencil
1.0 BiFuel	05.11 -	60	998	3	B3LA	CL903	3			pencil
1.2	09.11 -	63	1248	4	G4LA	CL904	4			pencil / with start/stop system
Pride (DA)										
1.1 i	01.91 -	38	1138	4	B1	CL558	1			
1.3 16V	01.90 -	44	1324	4	B3	CL558	1			
1.3 16V	10.96 -	47	1324	4	B3	CL558	1			
1.3 16V	01.90 -	53	1324	4	B3	CL558	1			
1.3 i	01.90 -	51	1324	4		CL558	1			
Pride Combi										
1.3	08.99 -	47	1324	4		CL558	1			
Pro Cee'd (ED)										
1.4	02.08 -	77	1396	4	G4FA	CL584	4			pencil
1.4 CWVT	06.10 -	66	1396	4	G4FA-L	CL584	4			pencil
1.6	02.08 -	90	1591	4	G4FC	CL584	4			pencil
1.6	02.08 -	93	1591	4	G4FC	CL584	4			pencil
1.6 CWVT	10.10 -	92	1591	4	G4FC	CL584	4			pencil
2.0 LPG	01.09 - 12.09	105	1975	4	G4GC	CL901	1			
Pro Cee'd										
1.4 CWVT	03.13 -	73	1396	4	G4FA	CL584	4			pencil
1.6 GDI	03.13 -	99	1591	4	G4FD	CL926	4			pencil
Rio Combi (DC)										
1.3	08.00 - 02.05	55	1343	4	A3E	CL529	1			
1.3	08.00 - 02.05	60	1343	4	A3E	CL529	1			
1.5 16V	09.02 - 02.05	71	1493	4	A5D	CL530	1			

model	year	kW	cm ³	cyl	engine	coil	pcs	boot	pcs	info
KIA										
Rio Combi (DC)										
1.5 16V	08.00 - 02.05	72	1493	4	A5D	CL530	1			
Rio Sedan (DC)										
1.3	09.00 - 02.05	55	1343	4	A3E	CL529	1			
1.3	08.02 - 02.05	60	1343	4	A3E	CL529	1			
1.5 16V	09.00 - 02.05	72	1493	4	A5D	CL530	1			
Rio II (JB)										
1.4 16V	03.05 -	71	1399	4	G4EE	CL546	1			coil 4xDIN
						CL595	4	CP054	4	pencil
1.6 CVVT	03.05 -	82	1599	4	G4ED	CL546	1			coil 4xDIN
						CL595	4	CP054	4	pencil
Rio II Sedan (JB)										
1.4 16V	03.05 -	71	1399	4	G4EE	CL546	1			coil 4xDIN
						CL595	4	CP054	4	pencil
1.6 16V	03.05 -	82	1599	4	G4ED	CL546	1			coil 4xDIN
						CL595	4	CP054	4	pencil
Rio III (UB)										
1.25 CVVT	09.11 -	63	1248	4	G4LA	CL904	4			pencil / with start/stop system
1.25 LPG	09.11 -	63	1248	4	G4LA	CL904	4			pencil / with start/stop system
1.4 CVVT	09.11 -	80	1396	4	G4FA	CL584	4			pencil
1.4 CVVT	09.11 -	79	1396	4	G4FA	CL584	4			pencil
1.6 CVVT	06.12 -	90	1591	4	G4FC	CL584	4			pencil
Rio III Sedan (UB)										
1.25 CVVT	10.11 -	63	1248	4	G4LA	CL904	4			pencil / with start/stop system
1.4 CVVT	10.11 -	80	1396	4	G4FA	CL584	4			pencil
1.6 CVVT	06.12 -	90	1591	4	G4FC	CL584	4			pencil
Sephia (FA)										
1.5 i	02.96 - 10.97	59	1498	4	B5	CL504	1			coil 1xDIN / with distributor
						CL589	2	CP010	2	semidirect / pencil
1.6 i	01.95 - 10.97	59	1598	4	B6	CL504	1			coil 1xDIN / with distributor
						CL505	2	CP010	2	semidirect / pencil
1.8 i 16V	01.95 - 10.97	82	1793	4	OK24N/OK26Y	CL505	2	CP010	2	semidirect / pencil
Sephia Sedan (FA)										
1.5 i	02.96 - 10.97	59	1498	4	B5	CL504	1			coil 1xDIN / with distributor
						CL589	2	CP010	2	semidirect / pencil
1.6 i	09.93 - 10.97	59	1598	4	B6	CL504	1			coil 1xDIN / with distributor
1.8 i 16V	01.95 - 10.97	82	1793	4	OK24N/OK26Y	CL505	2	CP010	2	semidirect / pencil
Shuma (FB)										
1.5 i 16V	10.97 - 03.01	65	1498	4		CL589	2	CP010	2	semidirect / pencil
1.8 i 16V	10.97 - 03.01	81	1793	4	T8	CL505	2	CP010	2	semidirect / pencil
Shuma Sedan (FB)										
1.5	03.96 - 12.98	59	1498	4	OK280	CL589	2	CP010	2	semidirect / pencil
1.5 i 16V	10.97 - 10.01	65	1498	4		CL589	2	CP010	2	semidirect / pencil
1.8 GX	05.99 - 10.01	85	1798	4		CL505	2	CP010	2	semidirect / pencil
Shuma II (FB)										
1.6	05.01 - 08.04	75	1594	4	GA6D	CL530	1			
1.8	04.03 - 08.04	84	1793	4	T8	CL505	2	CP010	2	semidirect / pencil
Shuma II Sedan (FB)										
1.6	05.01 - 05.04	75	1594	4	GA6D	CL530	1			
Sorento I (JC)										
2.4	08.02 -	102	2351	4	G4JS	CL515	2	CP012	2	semidirect / pencil
3.3 V6	12.06 -	177	3297	6		CL593	6			pencil
3.3 V6 4WD	11.07 -	182	3342	6	G6DB	CL593	6			pencil
3.5 V6 4WD	08.02 -	143	3497	6	G6CU	CL552	3			semidirect / pencil
Sorento II (XM)										
2.4 CVVT	11.09 -	128	2359	4	G4KE	CL593	4			pencil
2.4 CVVT	10.12 -	141	2359	4	G4KJ	CL902	4			pencil
2.4 CVVT 4WD	11.09 -	128	2359	4	G4KE	CL593	4			pencil
2.4 CVVT 4WD	10.12 -	141	2359	4	G4KJ	CL902	4			pencil
Soul (AM)										
1.6 CVVT	02.09 -	77	1591	4	G4FC	CL584	4			pencil
1.6 CVVT	02.09 -	93	1591	4	G4FC	CL584	4			pencil
1.6 CVVT	03.12 -	95	1591	4	G4FC	CL584	4			pencil
1.6 GDI	06.11 -	103	1591	4	G4FD	CL926	4			pencil
Soul II (PS)										
1.6 GDI	02.14 -	97	1591	4	G4FD	CL926	4			pencil
Sportage (K00)										
2.0	10.00 - 08.03	87	1998	4	FE (16V)	CL548	2	CP013	2	semidirect / pencil
2.0 4WD	10.00 - 08.03	87	1998	4	FE (16V)	CL548	2	CP013	2	semidirect / pencil
2.0 i 4WD	04.94 - 08.99	70	1998	4	FE (8V)	CL544	1			
2.0 i 16V	10.99 - 08.03	94	1998	4	FE (16V)	CL302	1			coil 4xPIN
						CL548	2	CP013	2	semidirect / pencil



model	year	kW	cm ³	cyl	engine	coil	pcs	boot	pcs	info
KIA										
Sportage (K00)										
2.0i 16V 4WD	04.94 - 08.03	94	1998	4	FE (16V)	CL302	1			coil 4xPIN
						CL548	2	CP013	2	semidirect / pencil
Sportage (JE , KM)										
2.0 16V 4WD	09.04 -	104	1975	4	G4GC	CL565	1			
2.0i 16V	09.04 -	104	1975	4	G4GC	CL565	1			
2.7 V6 4WD	09.04 -	129	2656	6	G6BA	CL932	1			
Sportage (SL)										
1.6 GDI	02.11 -	99	1591	4	G4FD	CL926	4			pencil
2.0 CVT	07.10 -	120	1998	4	G4KD	CL902	4			pencil
2.0 CVT AWD	07.10 -	120	1998	4	G4KD	CL902	4			pencil
Venga (YN)										
1.4 CVT	02.10 -	66	1396	4	G4FA-L	CL584	4			pencil
1.6 CVT	02.10 -	92	1591	4	G4FC	CL584	4			pencil
LADA (VAZ)										
110										
1.5	01.95 -	57	1499	4	VAZ-2111	CL801	1			
1.5 16V	10.00 -	67	1499	4	VAZ-2112	CL801	1			
1.6	01.00 -	60	1596	4	VAZ-21114	CL802	1			
1.6 16V	10.04 - 12.10	67	1596	4	VAZ-21124	CL800	4	CP070	4	pencil
1.6 LPG	10.04 - 03.07	60	1596	4	VAZ-21114	CL802	1			
111										
1.5	01.96 -	57	1499	4	VAZ-2111	CL801	1			
1.5 16V	10.00 -	67	1499	4	VAZ-2112	CL801	1			
1.6	01.05 -	60	1596	4	VAZ-21114	CL802	1			
1.6	03.06 -	66	1596	4	VAZ-21124	CL802	1			
112										
1.5	01.95 -	57	1499	4	VAZ-2111	CL801	1			
1.5 16V	10.00 -	67	1499	4	VAZ-2112	CL801	1			
1.6	01.05 -	60	1596	4	VAZ-21114	CL802	1			
2107										
1.7	06.02 -	59	1690	4	VAZ-2121.3	CL801	1			
Granta (2190)										
1.6	10.11 -	60	1596	4	VAZ-11183	CL802	1			
1.6	10.11 -	64	1596	4	VAZ-11186	CL802	1			
1.6	10.11 -	72	1596	4	VAZ-21126	CL800	4	CP070	4	pencil
1.6	07.13 -	78	1596	4	VAZ-21127	CL800	4	CP070	4	pencil
Granta (2349)										
1.6	10.11 -	64	1597	4	VAZ-11186	CL802	1			
Kalina Hatchback (1119)										
1.4 16V	11.08 -	66	1390	4	VAZ-11194	CL800	4	CP070	4	pencil
1.4 16V LPG	11.08 -	65	1390	4	VAZ-11194	CL800	4	CP070	4	pencil
1.6	10.04 -	60	1596	4	VAZ-21114	CL802	1			
1.6 16V	10.04 -	66	1596	4		CL800	4	CP070	4	pencil
Kalina Hatchback (2192)										
1.6	06.13 -	78	1596	4	VAZ-21127	CL800	4	CP070	4	pencil
Kalina Combi (1117)										
1.4 16V	11.08 -	66	1390	4	VAZ-11194	CL800	4	CP070	4	pencil
1.4 16V LPG	11.08 -	65	1390	4	VAZ-11194	CL800	4	CP070	4	pencil
1.6	10.04 -	60	1596	4	VAZ-21114	CL802	1			
Kalina Combi (2194)										
1.6	11.13 -	78	1596	4	VAZ-21127	CL800	4	CP070	4	pencil
Kalina Sedan (1118)										
1.4 16V	11.08 -	66	1390	4	VAZ-11194	CL800	4	CP070	4	pencil
1.4 16V LPG	11.08 -	65	1390	4	VAZ-11194	CL800	4	CP070	4	pencil
1.6	10.04 -	60	1596	4	VAZ-21124/VAZ-21114	CL802	1			
1.6 16V	10.04 -	66	1596	4		CL800	4	CP070	4	pencil
Largus Combi										
1.6	03.12 -	62	1598	4	VAZ-K7M	CL116	1			
1.6	03.12 -	77	1598	4	VAZ-K4M	CL100	4			pencil
Largus Van										
1.6	03.12 -	62	1598	4	VAZ-K7M	CL116	1			
1.6	03.12 -	77	1598	4	VAZ-K4M	CL100	4			pencil
Nadezhda (2120)										
1.7i	12.97 -	59	1690	4	VAZ-21214	CL801	1			
Niva (2121)										
1700i	06.96 -	59	1690	4	VAZ-21214	CL802	1			
1700i 4x4	09.10 -	61	1690	4	VAZ-21214	CL802	1			
1700i 4x4	10.00 -	60	1690	4	VAZ-21214	CL802	1			
Niva II (2123)										
1.7	08.04 -	61	1690	4	VAZ-21214	CL802	1			
1.7	09.02 -	59	1690	4	VAZ-21214	CL802	1			

model	year	kW	cm ³	cyl	engine	coil	pcs	boot	pcs	info
LADA (VAZ)										
Niva II (2123)										
1.7 LPG	09.02 -	57	1690	4	VAZ-21214	CL802	1			
Priora CC (2172)										
1.6	12.08 -	60	1596	4	VAZ-21703	CL802	1			
1.6	12.08 -	72	1596	4	VAZ-21126	CL800	4	CP070	4	pencil
1.6	02.14 -	78	1596	4	VAZ-21127	CL800	4	CP070	4	pencil
1.6 LPG	12.08 -	71	1596	4	VAZ-21126	CL800	4	CP070	4	pencil
Priora Combi (2171)										
1.6	10.09 -	60	1596	4	VAZ-21703	CL800	4	CP070	4	pencil
1.6	10.09 -	72	1596	4	VAZ-21126	CL800	4	CP070	4	pencil
1.6	02.14 -	78	1596	4	VAZ-21127	CL800	4	CP070	4	pencil
Priora Sedan (2170)										
1.6	12.08 -	60	1596	4	VAZ-21703	CL802	1			
1.6	12.08 -	72	1596	4	VAZ-21126	CL800	4	CP070	4	pencil
1.6	02.14 -	78	1596	4	VAZ-21127	CL800	4	CP070	4	pencil
1.6 LPG	03.09 -	71	1596	4		CL800	4	CP070	4	pencil
Samara (2108, 2109, 2115)										
1.5	04.96 -	57	1499	4	VAZ-2111	CL801	1			
LANCIA										
Dedra (835)										
1.6 16V	01.96 - 07.99	76	1581	4	182 A4.000	CL312	1			
1.6 i.e.	04.93 - 07.99	55	1581	4	835 C1.000	CL302	1			
1.6 i.e.	08.89 - 03.93	57	1581	4	835 A1.046	CL313	1			
1.6 i.e.	08.89 - 06.94	66	1581	4	835 A1.000	CL313	1			
1.6 LE cat	07.94 - 07.99	66	1581	4	159 B9.000	CL302	1			
1.8 16V LE	03.96 - 07.99	83	1747	4	182 A2.000	CL300	2			twin coil
						CL314	4			pencil
1.8 GT 16V	03.96 - 07.99	96	1747	4	183 A1.000	CL314	4			pencil
1.8 i.e.	07.94 - 07.99	74	1756	4	836 A5.000	CL300	2			twin coil
Dedra SW (835)										
1.6	10.94 - 07.99	66	1581	4	159 B9.000	CL302	1			
1.6 16V	01.96 - 07.99	76	1581	4	182 A4.000	CL312	1			
1.8 16V LE	03.96 - 07.99	83	1747	4	182 A2.000	CL300	2			twin coil
						CL314	4			pencil
1.8 GT 16V	03.96 - 07.99	96	1747	4	183 A1.000	CL314	4			pencil
1.8 i.e.	07.94 - 07.99	74	1756	4	836 A5.000	CL300	2			twin coil
Delta I (831AB0)										
1.3	09.79 - 08.92	55	1301	4	831 A2.000/831 B.000	CL308	1			
1.5	11.82 - 12.92	63	1498	4	831 A1.000/831 B1.000	CL308	1			
2.0 16V HF Evo Integrale	06.93 - 01.94	155	1995	4	831 E5.046/831 E5.000	CL300	2			twin coil
Delta II (836)										
1.4 i.e.	10.94 - 08.99	51	1372	4	836 A4.000	CL302	1			coil 4xPIN / engine code
					160 A1.046	CL313	1			coil 1xDIN / engine code
1.6 i.e.	06.93 - 08.99	55	1581	4	835 C1.000	CL302	1			
1.6 i.e.	03.96 - 08.99	66	1581	4	182 A6.000	CL312	1			
1.6 i.e. 16V	01.96 - 08.99	76	1581	4	182 A4.000	CL312	1			
1.8 i.e.	07.94 - 08.99	66	1756	4	835 C4. /836 C4. /836 A6.000	CL300	2			twin coil
1.8 i.e.	06.93 - 08.99	76	1756	4	835 C2.000	CL314	4			year / pencil
	12.94 - 08.99	76	1756	4	835 C2.000	CL300	2			year / twin coil
1.8 i.e. 16V	03.96 - 08.99	83	1747	4	182 A2.000	CL300	2			twin coil
						CL315	4			pencil
1.8 i.e. 16V GT	03.96 - 08.99	96	1747	4	183 A1.000	CL300	2			twin coil
						CL315	4			pencil
2.0 16V Turbo	06.93 - 08.99	137	1995	4	836 A2.000	CL300	2			twin coil
2.0 16V Turbo	07.96 - 08.99	142	1995	4	175 A4.000	CL300	2			twin coil
Delta III (844)										
1.4	09.08 -	88	1368	4	198 A4.000	CL323	4			pencil
1.4 16V	07.10 -	103	1368	4	198 A7.000	CL326	4			pencil
1.8	01.09 -	147	1742	4	939 B1.000	CL323	4			pencil
Kappa (838A)										
2.0 16V Turbo	02.95 - 10.01	151	1995	4	838 A4.000	CL302	1			
2.0 20V	10.94 - 10.01	107	1998	5	838 A1.000	CL317	5			pencil
2.0 20V	07.96 - 10.01	114	1998	5	838 A6.000	CL317	5			pencil OEM No. 46403328
						CL318	5			pencil OEM No. 46467542
2.0 20V Turbo	06.98 - 10.01	162	1998	5	175 A3.000	CL317	5			pencil
2.4 20V	08.94 - 10.01	129	2446	5	838 A2.000/838 A2.027	CL317	5			pencil OEM No. 46403328
						CL318	5			pencil OEM No. 46467542
3.0 24V	08.94 - 10.01	150	2959	6	838 B.000	CL320	6			pencil
Kappa Coupe (838)										
2.0 16V Turbo	11.96 - 03.01	151	1995	4	838 A4.000	CL302	1			
2.0 20V	07.96 - 03.01	114	1998	5	838 A6.000	CL317	5			pencil
2.0 20V Turbo	06.98 - 03.01	162	1998	5	175 A3.000	CL317	5			pencil

model	year	kW	cm ³	cyl	engine	coil	pcs	boot	pcs	info
LANCIA										
◀ Kappa Coupe (838)										
2.4 20V	11.96 - 03.01	129	2446	5	838 A2.000	CL317	5			pencil
3.0 24V	11.96 - 03.01	150	2959	6	838 B.000	CL320	6			pencil
Kappa SW (838B)										
2.0 16V Turbo	07.96 - 10.01	151	1995	4	838 A4.000	CL302	1			
2.0 20V	07.96 - 10.01	114	1998	5	838 A6.000	CL317	5			pencil OEM No. 46403328
						CL318	5			pencil OEM No. 46467542
2.0 20V Turbo	06.98 - 10.01	162	1998	5	175 A3.000	CL317	5			pencil
2.4 20V	07.96 - 10.01	129	2446	5	838 A2.000	CL317	5			pencil OEM No. 46403328
						CL318	5			pencil OEM No. 46467542
3.0 24V	07.96 - 10.01	150	2959	6	838 B.000	CL320	6			pencil
Lybra (839AX)										
1.6 16V	07.99 - 10.05	76	1581	4	182 A4.000	CL312	1			
1.8 16V	07.99 - 10.05	96	1747	4	839 A7_ /839 A9_ /839 A4_	CL315	4			pencil
2.0 20V	07.99 - 09.00	113	1998	5	182 B7.000	CL318	5			pencil
2.0 20V	09.00 - 10.05	110	1998	5	185 A8.000	CL318	5			pencil
Lybra SW (839BX)										
1.6 16V	07.99 - 10.05	76	1581	4	182 A4.000	CL312	1			
1.8 16V	07.99 - 10.05	96	1747	4	839 A7.000/839 A4.000	CL315	4			pencil
2.0 20V	09.00 - 10.05	110	1998	5	185 A8.000	CL318	5			pencil
2.0 20V	07.99 - 09.00	113	1998	5	182 B7.000	CL318	5			pencil
Musa (350)										
1.4	09.05 -	57	1368	4	350 A1.000	CL309	1			
1.4	10.07 -	66	1368	4	192 B2.000	CL310	4	CP072	4	pencil
1.4	10.04 -	70	1368	4	843 A 1.000	CL310	4	CP072	4	pencil
1.4 LPG	11.10 -	57	1368	4	350 A1.000	CL309	1			
Phedra (179)										
3.0 V6	09.02 - 11.10	150	2946	6	E59 J4S	CL135	6			pencil
Thema (834)										
2000 16V	08.92 - 12.93	112	1995	4	834 F1.000	CL302	1			
2000 16V Turbo	12.88 - 06.90	133	1995	4	834 C1.000	CL300	2			twin coil
2000 16V Turbo	10.92 - 07.94	148	1995	4	834 F2.000	CL302	1			
2000 i.e.	09.88 - 05.92	86	1995	4	834 B1.000	CL313	1			
2000 i.e.	03.86 - 09.88	83	1995	4	834 B.048	CL313	1			
2000 i.e.	09.87 - 05.92	85	1995	4	834 B.146	CL302	1			coil 4xPIN
						CL313	1			coil 1xDIN
2000 i.e. Turbo	07.86 - 05.90	110	1995	4	834 C.146	CL313	1			
2000 i.e. 16V	02.89 - 05.92	104	1995	4	834 B2.246	CL300	2			twin coil
2000 i.e. 16V Turbo	04.89 - 05.92	130	1995	4	834 C1.246	CL300	2			twin coil
Thema SW (834)										
2000 Turbo	01.89 - 03.92	110	1995	4	834 C.146	CL313	1			
2000 16V	05.92 - 07.94	112	1995	4	834 F1.000	CL302	1			
2000 Turbo 16V	11.92 - 07.94	148	1995	4	834 F2.000	CL302	1			
2000 i.e. 16V	02.89 - 05.92	104	1995	4	834 B2.246	CL300	2			twin coil
2000 i.e. 16V Turbo	04.89 - 03.93	130	1995	4	834 C1.246	CL300	2			twin coil
2000 i.e. 16V Turbo	12.88 - 06.90	133	1995	4	834 C1.000	CL300	2			twin coil
Thesis (841AX)										
2.0 Turbo	07.02 - 07.09	136	1998	5	841 E.000	CL318	5			pencil
2.4	07.02 - 07.09	125	2446	5	841 D.000	CL318	5			pencil
3.0 V6	07.02 - 07.09	158	2959	6	841 A.000	CL320	6			pencil
3.2 V6	05.03 - 07.09	169	3179	6	841 L.000	CL320	6			pencil
Y (840A)										
1.1	11.95 - 09.03	40	1108	4	176 B2.000	CL300	2			twin coil
1.2	03.96 - 09.03	44	1242	4	840 A3.000/188 A4.000	CL300	2			twin coil
1.2 16V	10.00 - 09.03	59	1242	4	188 A5.000	CL302	1			
1.2 16V	04.97 - 09.03	63	1242	4	176 B9.000	CL300	2			twin coil
1.4 12V	03.96 - 09.03	55	1370	4	840 A4.000	CL302	1			
1.4 12V	10.96 - 09.03	59	1370	4	840 A2.000	CL302	1			
Y10 (156)										
1.0 Fire	06.85 - 06.91	32	999	4	156 A2.100	CL304	1			
1.0 Fire	03.85 - 06.89	33	999	4	156 A2.000	CL304	1			
1.0 Fire cat	10.87 - 02.92	33	999	4	156 A2.246	CL304	1			
1.0 Fire Allrad	12.86 - 02.89	32	999	4	156 A2.100	CL304	1			
1.1 Avenue	01.95 - 12.95	40	1108	4	176 B2.000	CL302	1			
1.1 Avenue Allrad	01.95 - 12.95	40	1108	4	176 B2.000	CL302	1			
1.1 i.e	08.89 - 06.92	42	1108	4	156 C.000	CL308	1			
1.1 i.e Allrad	08.89 - 06.92	42	1108	4	156 C.000	CL308	1			
1.1 i.e. Fire	07.89 - 09.92	37	1108	4	156 C.046	CL304	1			year / with distributor
	10.92 - 09.95	37	1108	4	156 C.046	CL302	1			year / without distributor
1.1 i.e. Fire Allrad	09.92 - 12.95	37	1108	4	156 C.046	CL302	1			without distributor
						CL304	1			with distributor

model	year	kW	cm ³	cyl	engine	coil	pcs	boot	pcs	info
LANCIA										
Y10 (156)										
1.3 i.e. Fire	02.89 - 12.95	53	1297	4	156 B.000/146 A 5.046	CL303	1			coil socket 4x flat connector
	09.92 - 12.95	53	1297	4	156 B.000/146 A 5.046	CL313	1			year / coil socket with 4 pins
Ypsilon (843)										
1.2	10.03 - 12.11	44	1242	4	188 A4.000	CL300	2			twin coil
1.2	08.10 - 12.11	51	1242	4	169 A4.000	CL309	1			
1.2	10.03 - 12.11	59	1242	4	188 A5.000	CL310	4	CP072	4	pencil
1.4	02.06 - 12.11	57	1368	4	350 A1.000	CL309	1			
1.4 16V	10.03 - 12.11	70	1368	4	843 A 1.000	CL310	4	CP072	4	pencil
1.4 LPG	11.10 - 12.11	57	1368	4	350 A1.000	CL309	1			
Ypsilon (312, 846)										
0.9 CNG	05.11 -	63	875	2	312 A2.000	CL325	2			pencil
0.9 Twinair	05.11 -	63	875	2	312 A2.000	CL325	2			pencil
1.2	05.11 -	51	1242	4	169 A4.000	CL309	1			
1.2 BiFuel	05.11 -	49	1242	4	169 A4.000	CL309	1			
1.2 BiFuel	05.11 -	51	1242	4	169 A4.000	CL309	1			
Zeta (220)										
2.0 16V	07.00 - 09.02	100	1997	4	RFN	CL107	1			
2.0 Turbo	05.95 - 09.02	108	1998	4	RGX (XU10J2TE)	CL107	1			
LANDROVER										
Discovery II (LJ, LT)										
4.0 V8 4x4	11.98 - 06.04	136	3950	8	56 D	CL302	2			
Freelander (LN)										
1.8 16V 4x4	11.00 - 10.06	86	1796	4	18 K4F	CL711	2			semidirect / pencil
2.5 V6 4x4	11.00 - 10.06	130	2497	6	25 K4F	CL702	6			pencil
Freelander 2 (FA_)										
2.0 Si4 4x4	10.11 - 10.14	177	1999	4	204PT	CL415	4			pencil
3.2 4x4	10.06 - 10.14	171	3192	6	B 6324 S	CL723	6			pencil
Freelander Soft Top										
1.8 i 16V 4x4	02.98 - 10.06	88	1796	4	18 K4F	CL711	2			semidirect / pencil
Range Rover II (LP)										
3.9 4x4	07.94 - 03.02	140	3947	8	42 D	CL302	2			
4.0 4x4	06.98 - 03.02	136	3947	8	42 D	CL302	2			
4.6 4x4	06.98 - 03.02	160	4554	8	60 D	CL302	2			
4.6 4x4	07.94 - 03.02	165	4553	8	46 D	CL302	2			
4.6 4x4	09.96 - 03.02	168	4554	8	46 D	CL302	2			
Range Rover III (LM)										
4.4 4x4	03.02 - 08.12	210	4398	8	M62 B44	CL600	8	CP003	8	pencil
Range Rover Evoque (LV)										
2.0 4x4	06.11 -	177	1999	4	204PT	CL415	4			pencil
LEXUS										
ES (F1, F2)										
250	12.89 - 09.91	118	2507	6	2VZ-FE	CL574	1			
ES (AVV6_, GSV6_, ASV6_)										
250	06.12 -	135	2494	4	2AR-FE	CL924	4	CP041	4	pencil
300h	06.12 -	118	2494	4	2AR-FXE	CL924	4	CP041	4	pencil
GS (UZS161, JZS160)										
430	11.00 - 03.05	208	4293	8	3UZ-FE	CL575	8	CP041	8	pencil
GS (GRS19_, UZS19_, GWS19_)										
3.0	04.05 - 11.11	170	2995	6	3GR-FE	CL924	6	CP041	6	pencil
300	04.05 - 11.11	183	2995	6	3GR-FSE	CL924	6	CP041	6	pencil
350 AWD	05.08 - 11.11	232	3456	6	2GR-FSE	CL924	6	CP041	6	pencil
450h	02.06 - 11.11	218	3456	6	2GR-FSE	CL924	6	CP041	6	pencil
450h	02.06 - 11.11	254	3456	6	2GR-FSE	CL924	6	CP041	6	pencil
GS (GRL1_, GWL1_)										
250	01.12 -	154	2499	6	4GR-FSE	CL924	6	CP041	6	pencil
350	01.12 -	234	3456	6	2GR-FSE	CL924	6	CP041	6	pencil
300h	10.13 -	133	2494	4	2AR-FSE	CL924	4	CP041	4	pencil
350 AWD	01.12 -	234	3456	6	2GR-FSE	CL924	6	CP041	6	pencil
GX (URJ15_)										
460	11.09 -	218	4608	8	1UR-FE	CL924	8	CP041	8	pencil
ISI (JCE1_, GXE1_)										
200	04.99 - 07.05	114	1988	6	1G-FE	CL575	6	CP041	6	pencil
IS II (GSE2_, ALE2_, USE2_)										
250 (GSE20)	10.05 -	153	2499	6	4GR-FSE	CL924	6	CP041	6	pencil
250 AWD	10.05 -	153	2499	6	4GR-FSE	CL924	6	CP041	6	pencil
IS III (GSE3_, AVE3_)										
300h	04.13 -	133	2494	4	2AR-FSE	CL924	4	CP041	4	pencil
250	04.13 -	153	2499	6	4GR-FSE	CL924	6	CP041	6	pencil
IS C (GSE2_)										
250	04.09 -	153	2499	6	4GR-FSE	CL924	6	CP041	6	pencil

model	year	kW	cm ³	cyl	engine	coil	pcs	boot	pcs	info
LEXUS										
IS SportCross										
200	10.02 - 10.05	114	1988	6	1G-FE	CL575	6	CP041	6	pencil
LS (UCF10)										
400	12.89 - 12.94	180	3969	8	1UZ-FE	CL578	2			
LS (UCF20)										
400	12.94 - 08.97	194	3969	8	1UZ-FE	CL578	2			
400	09.98 - 10.00	203	3969	8	1UZ-FE	CL578	2			
400	09.97 - 10.00	209	3969	8	1UZ-FE	CL578	2			
LS (UCF30)										
430	10.00 - 08.06	207	4293	8	3UZ-FE	CL575	8	CP041	8	pencil
LS (UVF4_ , USF4_)										
460	05.08 -	255	4608	8	1UR-FE	CL924	8	CP041	8	pencil
460	04.06 -	280	4608	8	1UR-FSE	CL924	8	CP041	8	pencil
460	09.12 -	285	4608	8	1UR-FSE	CL924	8	CP041	8	pencil
460 AWD	12.08 -	270	4608	8	1UR-FSE	CL924	8	CP041	8	pencil
460 AWD	09.12 -	272	4608	8	1UR-FSE	CL924	8	CP041	8	pencil
600h	08.07 -	290	4969	8	2UR-FSE	CL924	8	CP041	8	pencil
LX (URJ201)										
570	11.07 -	270	5663	8	3UR-FE	CL924	8	CP041	8	pencil
RX (MCU15)										
300 AWD	10.00 - 05.03	148	2995	6	1MZ-FE	CL571	6	CP041	6	pencil
RX (MHU3_ , GSU3_ , MCU3_)										
300	05.03 - 12.08	150	2995	6	1MZ-FE	CL571	6	CP041	6	pencil
350 AWD	02.06 - 12.08	203	3456	6	2GR-FE	CL920	6	CP044	6	pencil
400h	09.05 - 12.08	155	3311	6	3MZ-FE	CL921	6			pencil
400h AWD	09.04 - 12.08	155	3311	6	3MZ-FE	CL921	6			pencil
RX (GYL1_ , GGL15, AGL10)										
270	12.08 -	138	2671	4	1AR-FE	CL924	4	CP041	4	pencil
350 AWD	12.08 -	204	3456	6	2GR-FE	CL920	6	CP044	6	pencil
450h	12.08 -	183	3456	6	2GR-FXE	CL920	6	CP044	6	pencil
450h AWD	12.08 -	183	3456	6	2GR-FXE	CL920	6	CP044	6	pencil
SC (UZZ40_)										
430	05.01 - 07.10	210	4293	8	3UZ-FE	CL575	8	CP041	8	pencil
MAZDA										
121 I (DA)										
1.1	10.87 - 10.90	42	1139	4	B1/B116	CL507	1			
1.3	04.89 - 10.90	40	1324	4	B3	CL507	1			
1.3	10.87 - 11.90	44	1324	4	B3	CL507	1			
121 II (DB)										
1.1	11.90 - 10.93	40	1138	4	B1	CL507	1			
1.3 16V	11.90 - 10.93	39	1324	4	B3 (16V)	CL507	1			
1.3 i 16V	11.90 - 10.93	53	1324	4	B3 (16V)	CL507	1			
121 III (JASM, JBSM)										
1.25	03.96 - 04.03	55	1242	4	DHG/DHF	CL400	1			DIN
						CL401	1			PIN
1.3	03.96 - 04.03	37	1299	4	JJM/JJK	CL400	1			DIN
						CL401	1			PIN
1.3	03.96 - 04.03	44	1299	4	J4R/J4T	CL400	1			DIN
						CL401	1			PIN
2 (DY)										
1.25	04.03 - 02.05	55	1242	4	FUJA	CL401	1			year
	02.05 -	55	1242	4	FUJA	CL403	1			year
1.4	04.03 - 02.05	59	1388	4	FXJA	CL401	1			year
	02.05 -	59	1388	4	FXJA	CL403	1			year
1.6	04.03 - 02.05	74	1596	4	FYJA	CL401	1			year
	02.05 -	74	1596	4	FYJA	CL403	1			year
2 (DE)										
1.3	10.07 -	55	1349	4	ZJ-VE	CL905	4			pencil
1.3	10.07 -	63	1349	4	ZJ-VE	CL905	4			pencil
1.4 MZR-CD	01.08 -	50	1399	4	Y404	CL905	4			pencil
1.5	10.07 -	76	1498	4	ZY-DE/ZY-VE	CL905	4			pencil
3 (BK)										
1.4	10.03 - 06.09	62	1349	4	ZJ-VE	CL910	4			pencil
1.6	10.03 - 06.09	77	1598	4	B6ZE	CL910	4			pencil
2.0	10.03 - 06.09	110	1999	4	LF17	CL405	4	CP048	4	year / pencil
	03.06 - 06.09	110	1999	4	LF17	CL599	4	CP047	4	year / pencil
2.3 MPS Turbo	12.06 - 06.09	191	2261	4	L3-VDT/L3N9	CL599	4	CP047	4	pencil
3 (BL)										
1.6 MZR	06.09 -	77	1598	4	Z6	CL905	4			pencil
1.6 MZR	01.10 - 12.13	79	1598	4	Z6	CL905	4			pencil
1.6 MZR CD	11.10 -	85	1560	4	Y655/Y650	CL905	4			pencil
2.0 MZR	06.09 -	110	1999	4	LF17/LF-DE	CL599	4	CP047	4	pencil

model	year	kW	cm ³	cyl	engine	coil	pcs	boot	pcs	info
MAZDA										
3 (BL)										
2.0 MZR DISI	06.09 -	111	1999	4	LF5W/LF5H	CL599	4	CP047	4	pencil
3 (BM)										
1.6	09.13 -	77	1598	4	Z6Y1	CL905	4			pencil
3 Sedan (BK)										
1.6	02.04 -	77	1598	4	Z6	CL905	4			pencil
2.0	02.04 -	110	1999	4	LF17	CL405	4	CP048	4	year / pencil
	03.06 -	110	1999	4	LF17	CL599	4	CP047	4	year / pencil
3 Sedan (BL)										
1.6 MZR	06.09 -	77	1598	4	Z6	CL905	4			pencil
2.0 MZR	06.09 -	110	1999	4	LF17/LF-DE	CL599	4	CP047	4	pencil
2.0 MZR DISI	06.09 -	111	1999	4	LF5W/LF5H	CL599	4	CP047	4	pencil
3 Sedan (BM)										
1.6	09.13 -	77	1598	4	Z6Y3/Z6Y1	CL905	4			pencil
323 III (BF)										
1.3	08.85 - 05.89	44	1296	4	E3	CL559	1			
1.4	04.87 - 07.89	44	1324	4	B3	CL507	1			
1.6 GT	11.86 - 10.89	63	1597	4	B6 (SOHC)	CL559	1			
1.6 GT Turbo	10.85 - 11.91	103	1598	4	B6T	CL559	1			
323 III Hatchback (BF)										
1.3	09.85 - 12.87	44	1296	4	E3	CL559	1			
1.4	09.87 - 10.89	44	1324	4	B3	CL507	1			
1.6 GT	09.87 - 10.89	63	1597	4	B6 (SOHC)	CL559	1			
1.6 GT Turbo	10.85 - 08.93	103	1598	4	B6T	CL559	1			
1.6 GT Turbo 4WD	10.87 - 11.91	103	1598	4	B6T	CL559	1			
323 III Station Wagon (BW)										
1.6	09.86 - 10.95	63	1598	4	B6 (SOHC)/B65M /B6E	CL507	1			
1.6 4x4	05.90 - 03.93	63	1598	4	B65M /B6E	CL507	1			
323 C IV (BG)										
1.3	09.89 - 07.94	49	1324	4	B3E	CL507	1			
1.3 16V	09.89 - 07.94	54	1324	4	B3 (16V)	CL507	1			coil socket with 4 pins
	04.91 - 07.94	54	1324	4	B3 (16V)	CL506	1			coil socket with 2 pins
1.6	09.89 - 06.91	62	1598	4	B6E	CL507	1			
1.6 16V	03.91 - 10.94	65	1598	4	B6	CL507	1			
1.8 16V	09.89 - 03.93	103	1840	4	BP22/BP31	CL506	1			
1.8 16V 4WD	11.91 - 12.93	76	1840	4	BP	CL506	1			
1.8 16V GT	09.89 - 03.93	94	1840	4	BP (DOHC)	CL506	1			
1.8 16V Turbo 4WD	09.90 - 12.92	120	1840	4	BP Turbo	CL506	1			
1.8 16V Turbo 4WD	01.93 - 07.94	136	1840	4	BP Turbo	CL506	1			
323 CV (BA)										
1.3 16V	08.94 - 09.98	54	1324	4	B3 (16V)	CL507	1			
323 F IV (BG)										
1.6	09.89 - 06.91	62	1598	4	B6E	CL506	1			coil socket with 2 pins
						CL507	1			coil socket with 4 pins
1.6 16V	03.91 - 10.94	65	1598	4	B6	CL506	1			coil socket with 2 pins
						CL507	1			coil socket with 4 pins
1.8 4WD	01.91 - 04.94	76	1840	4	BPC	CL506	1			
1.8 16V	08.89 - 07.94	76	1840	4	BP	CL506	1			
1.8 16V	09.89 - 03.93	103	1840	4	BP31	CL506	1			
1.8 16V GT	08.89 - 07.94	94	1840	4	BP (DOHC)	CL506	1			
323 F VI (BJ)										
1.5 16V	09.98 - 01.01	65	1498	4	ZL06/ZL05	CL594	2	CP046	2	semidirect / pencil
1.6	01.01 - 05.04	70	1598	4	ZM	CL594	2	CP046	2	semidirect / pencil
1.6	01.01 - 05.04	72	1598	4	ZM	CL594	2	CP046	2	semidirect / pencil
1.9 16V	09.98 - 01.01	84	1840	4	FP /FP55	CL572	2	CP045	2	semidirect / pencil
2.0	01.01 - 05.04	96	1991	4	F57G/F57E	CL572	2	CP045	2	semidirect / pencil
323 S IV (BG)										
1.3	09.89 - 06.91	49	1324	4	B3E/B383	CL507	1			
1.3 16V	04.91 - 07.94	54	1324	4	B3 (16V)	CL506	1			coil socket with 2 pins
			1324	4		CL507	1			coil socket with 4 pins
1.6	09.89 - 06.91	62	1598	4	B6E	CL506	1			coil socket with 2 pins
			1598	4		CL507	1			coil socket with 4 pins
1.6 16V	08.89 - 10.94	65	1598	4	B6	CL506	1			coil socket with 2 pins
			1598	4		CL507	1			coil socket with 4 pins
1.8 16V	08.89 - 07.94	76	1840	4	BP52	CL506	1			
1.8 16V 4WD	09.91 - 07.94	76	1840	4	BP52	CL506	1			
1.8 16V GT	06.89 - 07.94	94	1840	4	BP (DOHC)	CL506	1			
1.8 16V Turbo 4WD	01.91 - 07.94	120	1840	4	BP Turbo	CL506	1			
323 S V (BA)										
1.3 16V	08.94 - 09.98	54	1324	4	B3 (16V)	CL507	1			
323 S VI (BJ)										
1.5 16V	09.98 - 01.01	65	1498	4	ZL06/ZL05	CL594	2	CP046	2	semidirect / pencil



model	year	kW	cm ³	cyl	engine	coil	pcs	boot	pcs	info
MAZDA										
323 S VI (BJ)										
1.6	01.01 - 05.04	70	1598	4	ZM	CL594	2	CP046	2	semidirect / pencil
1.6	01.01 - 05.04	72	1598	4	ZM	CL594	2	CP046	2	semidirect / pencil
1.9 16V	09.98 - 05.04	84	1840	4	FP /FP55	CL572	2	CP045	2	semidirect / pencil
2.0	01.01 - 05.04	96	1991	4	FS7G/FS7E	CL572	2	CP045	2	semidirect / pencil
6 (GG)										
1.8	08.02 - 08.07	88	1798	4	L813	CL906	1			
2.0	06.02 - 08.07	104	1999	4	LF18/LF17	CL906	1			
2.3	06.02 - 08.07	122	2261	4	L3C1	CL906	1			
6 (GH)										
2.0 MZR	08.07 -	108	1999	4	LF17	CL599	4	CP047	4	pencil
2.0 MZR	01.10 -	114	1999	4	LF-DE	CL599	4	CP047	4	pencil
2.5 MZR	08.07 -	125	2488	4	L5-VE	CL599	4	CP047	4	pencil
6 CC (GH)										
2.0 MZR	08.07 -	108	1999	4	LF17	CL599	4	CP047	4	pencil
2.0 MZR	01.10 -	114	1999	4	LF-DE	CL599	4	CP047	4	pencil
2.5 MZR	08.07 -	125	2488	4	L5-VE	CL599	4	CP047	4	pencil
6 Combi (GH)										
2.0 MZR	02.08 -	108	1999	4	LF17	CL599	4	CP047	4	pencil
2.0 MZR	01.10 -	114	1999	4	LF-DE	CL599	4	CP047	4	pencil
2.5 MZR	02.08 -	125	2488	4	L5-VE	CL599	4	CP047	4	pencil
6 Hatchback (GG)										
1.8	08.02 - 08.07	88	1798	4	L813	CL906	1			
2.0	08.02 - 08.07	104	1999	4	LF18/LF17	CL906	1			
2.3	08.02 - 08.07	122	2261	4	L3C1	CL906	1			
6 Station Wagon (GY)										
1.8	08.02 - 08.07	88	1798	4	L813	CL906	1			
2.0	08.02 - 08.07	104	1999	4	LF18/LF17	CL906	1			
2.0	03.05 - 08.07	108	1999	4	LFF7	CL599	4	CP047	4	pencil
2.3	08.02 - 08.07	122	2261	4	L3C1	CL906	1			
2.3 AWD	11.02 - 08.07	119	2261	4	L3C1	CL906	1			
626 III (GD)										
2.0	09.87 - 10.90	66	1998	4	FE (12V)	CL559	1			
2.0 12V	09.87 - 05.92	79	1998	4	FE (12V)	CL559	1			
2.0 16V	11.87 - 05.92	103	1998	4	FE (16V)	CL559	1			
2.0 16V	07.87 - 09.89	109	1998	4	FE (16V)	CL559	1			
2.2 12V	11.87 - 07.91	85	2184	4	F2	CL559	1			
2.2 12V 4WD	01.90 - 05.92	85	2184	4	F2	CL559	1			
626 III Coupe (GD)										
2.0 12V	09.87 - 12.88	79	1998	4	FE (12V)	CL559	1			
2.0 16V	12.87 - 10.90	103	1998	4	FE (16V)	CL559	1			
2.0 16V	06.87 - 09.89	109	1998	4	FE (16V)	CL559	1			
2.2 12V	04.88 - 12.91	85	2184	4	F2	CL559	1			
626 III Hatchback (GD)										
2.0	09.87 - 10.90	66	1998	4	FE (8V)	CL559	1			
2.0 12V	11.87 - 05.92	79	1998	4	FE (12V)	CL559	1			
2.0 16V	11.87 - 10.90	103	1998	4	FE (16V)	CL559	1			
2.0 16V	06.87 - 08.89	109	1998	4	FE (16V)	CL559	1			
2.2 12V	06.88 - 04.92	85	2184	4	F2	CL559	1			
2.2 12V 4WD	11.87 - 07.90	85	2184	4	F2	CL559	1			
626 III Station Wagon (GV)										
2.0	10.88 - 09.97	66	1998	4	FE (8V)	CL559	1			
2.0 16V	01.88 - 03.92	103	1998	4	FE (16V)	CL559	1			
2.2 12V	03.89 - 11.96	85	2184	4	F2	CL559	1			
2.2 12V 4WD	05.91 - 11.92	85	2184	4	F2L1/F2	CL559	1			
626 V (GF)										
1.8	05.97 - 12.99	66	1840	4	FPY3	CL400	1			
1.8	12.99 - 10.02	74	1840	4	FP9A	CL400	1			
2.0	05.97 - 10.02	85	1991	4	FS	CL400	1			
2.0	04.98 - 10.02	100	1991	4	FS2C	CL400	1			
626 V Hatchback (GF)										
1.8	05.97 - 12.99	66	1840	4	FPY3	CL400	1			
1.8	12.99 - 10.02	74	1840	4	FP	CL400	1			
2.0	05.97 - 10.02	85	1991	4	FS	CL400	1			
2.0 H.P.	02.98 - 10.02	100	1991	4	FS2C	CL400	1			
626 V Station Wagon (GW)										
1.8	02.98 - 01.00	66	1840	4	FPY3	CL400	1			
1.8	01.00 - 10.02	74	1840	4	FP9A	CL400	1			
2.0	02.98 - 10.02	85	1991	4	FS	CL400	1			
2.0 H.P.	02.98 - 10.02	100	1991	4	FS2C	CL400	1			
929 III (HC)										
2.0	06.87 - 12.88	85	1998	4	FEFA/FE (8V)	CL559	1			

model	year	kW	cm ³	cyl	engine	coil	pcs	boot	pcs	info
MAZDA										
929 III (HC)										
2.2 12V	01.88 - 04.89	85	2184	4	F21/F2E/F2	CL559	1			
2.2 12V	04.89 - 06.91	94	2184	4	F2-C	CL559	1			
2.2 i	05.87 - 12.88	100	2184	4	F2-EGI	CL559	1			
3.0	01.88 - 12.89	125	2954	6	JE3	CL559	1			
3.0	06.87 - 06.91	140	2954	6	JE	CL559	1			
3.0 i	01.90 - 06.91	123	2954	6	JE3	CL559	1			
CX-7 (ER)										
2.3 MZR DISI Turbo	11.06 -	175	2261	4	L3Y7	CL599	4	CP047	4	pencil
2.3 MZR DISI Turbo	10.07 -	190	2261	4	L3-VDT	CL599	4	CP047	4	pencil
2.3 MZR DISI Turbo	09.09 -	191	2261	4	L3-VDT	CL599	4	CP047	4	pencil
MPV II (LW)										
2.3	07.02 - 02.06	104	2261	4	L3	CL906	1			
MX-3 (EC)										
1.6 i	07.91 -	65	1598	4	B69	CL506	1			
1.6 i	01.94 -	79	1598	4	B6D	CL573	1			
MX-5 I (NA)										
1.6	01.95 - 04.98	66	1598	4	8AN1	CL573	1			
1.6	05.90 - 01.94	85	1598	4	B64F	CL573	1			
MX-5 III (NC)										
2.0	09.08 -	118	1999	4	LF62/LF-DE	CL599	4	CP047	4	pencil
Premacy (CP)										
1.9	07.99 - 03.05	74	1840	4	FP	CL572	2	CP045	2	semidirect / pencil
1.9	07.99 - 03.05	84	1840	4	FP	CL572	2	CP045	2	semidirect / pencil
2.0	11.01 - 03.05	96	1991	4	FS7G/FS7E	CL572	2	CP045	2	semidirect / pencil
Tribute (EP)										
2.0	03.00 - 05.08	91	1989	4	YF	CL401	1			
2.0 4WD	03.00 - 05.08	91	1989	4	YF	CL401	1			
2.3 AWD	04.04 - 05.08	110	2261	4	L3-VE	CL405	4	CP048	4	pencil
MERCEDES										
190 (W201)										
E 1.8	04.90 - 08.93	80	1797	4	M 102.910	CL609	1			
E 2.0	10.82 - 06.93	90	1996	4	M 102.961/M 102.962	CL609	1			
E 2.3	10.86 - 08.93	100	2298	4	M 102.985	CL609	1			
E 2.3-16	09.85 - 12.87	125	2298	4	M 102.983	CL609	1			coil OEM No. 0001584503
						CL614	1			coil OEM No. 0001585003
E 2.3-16	09.85 - 08.88	130	2298	4	M 102.983	CL609	1			coil OEM No. 0001584503
						CL614	1			coil OEM No. 0001585003
E 2.3-16	04.84 - 01.87	136	2298	4	M 102.983	CL609	1			coil OEM No. 0001584503
						CL614	1			coil OEM No. 0001585003
E 2.5-16	03.89 - 08.93	143	2498	4	M 102.991	CL609	1			coil OEM No. 0001584503
						CL614	1			coil OEM No. 0001585003
E 2.5-16	09.88 - 08.93	150	2498	4	M 102.990	CL609	1			coil OEM No. 0001584503
						CL614	1			coil OEM No. 0001585003
E 2.6	09.86 - 08.93	118	2597	6	M 103.942	CL609	1			
E Evolution II 2.5	05.90 - 08.93	173	2498	4	M 102.992	CL609	1			coil OEM No. 0001584503
						CL614	1			coil OEM No. 0001585003
A-Class (W168)										
A 140	07.97 - 08.04	60	1397	4	M 166.940	CL610	1			rail coil
A 140	01.01 - 08.04	60	1598	4	M 166.960	CL610	1			rail coil
A 160	07.97 - 08.04	75	1598	4	M 166.960	CL610	1			rail coil
A 190	03.99 - 08.04	92	1898	4	M 166.990	CL610	1			rail coil
A 210	03.02 - 08.04	103	2084	4	M 166.995	CL610	1			rail coil
A-Class (W169)										
A 150	09.04 - 06.12	70	1498	4	M 266.920	CL605	2			twin coil
A 160	04.09 - 06.12	70	1498	4	M 266.920	CL605	2			twin coil
A 170	09.04 - 06.12	85	1699	4	M 266.940	CL605	2			twin coil
A 180	04.09 - 06.12	85	1699	4	M 266.940	CL605	2			twin coil
A 200	09.04 - 06.12	100	2034	4	M 266.960	CL605	2			twin coil
A 200 Turbo	09.05 - 06.12	142	2034	4	M 266.980	CL605	2			twin coil
B-Class (W245)										
B 150	03.05 - 11.11	70	1498	4	M 266.920	CL605	2			twin coil
B 160	04.09 - 11.11	70	1498	4	M 266.920	CL605	2			twin coil
B 170	03.05 - 11.11	85	1699	4	M 266.940	CL605	2			twin coil
B 180	04.09 - 11.11	85	1699	4	M 266.940	CL605	2			twin coil
B 200	03.05 - 11.11	100	2034	4	M 266.960	CL605	2			twin coil
B 200 Turbo	03.05 - 11.11	142	2034	4	M 266.980	CL605	2			twin coil
Cabriolet (A124)										
300 CE-24	04.92 - 06.93	162	2960	6	M 104.980	CL612	1			

model	year	kW	cm ³	cyl	engine	coil	pcs	boot	pcs	info
MERCEDES										
C-Class (W202)										
C 180	03.93 - 08.95	90	1799	4	M 111.920	CL611	2			year / engine code / coil 2xPIN
	09.95 - 05.00	90	1799	4	M 111.921	CL604	2	CP004	2	semidirect / coil with COP boot
	09.95 - 05.00	90	1799	4	M 111.921	CL606	2	CP004	2	semidirect / coil without COP boot
C 180	11.94 - 05.00	89	1799	4	M 111.921	CL604	2	CP004	2	semidirect / coil with COP boot
						CL606	2	CP004	2	semidirect / coil without COP boot
C 200	01.94 - 08.95	100	1998	4	M 111.941	CL611	2			year / engine code / coil 2xPIN
	09.95 - 05.00	100	1998	4	M 111.945	CL604	2	CP004	2	semidirect /year/coil with COP boot
	09.95 - 05.00	100	1998	4	M 111.945	CL606	2	CP004	2	semidirect /year/coil without COP boot
C 200 Kompressor	10.95 - 05.00	132	1998	4	M 111.944	CL604	2	CP004	2	semidirect / coil with COP boot
						CL606	2	CP004	2	semidirect / coil without COP boot
C 200 Kompressor	11.96 - 05.00	141	1998	4	M 111.944	CL604	2	CP004	2	semidirect / coil with COP boot
						CL606	2	CP004	2	semidirect / coil without COP boot
C 220	03.93 - 05.00	110	2199	4	M 111.961	CL611	2			twin coil
C 220	06.96 - 06.97	110	2295	4	M 111.974	CL604	2	CP004	2	semidirect / coil with COP boot
						CL606	2	CP004	2	semidirect / coil without COP boot
C 230 Kompressor	10.95 - 05.00	142	2295	4	M 111.975	CL604	2	CP004	2	semidirect / coil with COP boot
						CL606	2	CP004	2	semidirect / coil without COP boot
C 240	06.97 - 05.00	125	2398	6	M 112.910	CL605	3			twin coil
C 280	05.93 - 05.00	142	2799	6	M 104.941	CL604	3	CP004	3	semidirect / coil with COP boot
						CL606	3	CP004	3	semidirect / coil without COP boot
C 280	06.97 - 05.00	145	2799	6	M 112.920	CL605	3			twin coil
C 36 AMG	05.94 - 05.00	206	3606	6	M 104.941 (AMG 3.6)	CL606	3	CP004	3	semidirect / pencil
C 43 AMG	08.97 - 05.00	225	4266	8	M 113.944	CL605	4			twin coil
C-Class (W203)										
C 180	10.00 - 05.02	95	1998	4	M 111.951	CL616	4	CP038	4	pencil
C 180 Kompressor	05.02 - 11.06	105	1796	4	M 271.946	CL618	4	CP039	4	year / pencil
	11.06 - 02.07	105	1796	4	M 271.946	CL622	4	CP039	4	year / pencil
C 200 CGI Kompressor	07.03 - 11.06	125	1796	4	M 271.942	CL618	4	CP039	4	year / pencil
	11.06 - 02.07	125	1796	4	M 271.942	CL622	4	CP039	4	year / pencil
C 200 Kompressor	05.02 - 11.06	120	1796	4	M 271.940	CL618	4	CP039	4	year / pencil
	11.06 - 02.07	120	1796	4	M 271.940	CL622	4	CP039	4	year / pencil
C 200 Kompressor	05.00 - 06.02	120	1998	4	M 111.955	CL616	4	CP038	4	pencil
C 230	01.05 - 02.07	150	2496	6	M 272.920	CL605	3			twin coil
						CL621	6	CP015	6	pencil
C 230 Kompressor	02.04 - 11.06	141	1796	4	M 271.948	CL618	4	CP039	4	year / pencil
	11.06 - 02.07	141	1796	4	M 271.948	CL622	4	CP039	4	year / pencil
C 240	05.00 - 02.07	125	2597	6	M 112.912	CL605	3			twin coil
C 240 4-matic	07.02 - 02.07	125	2597	6	M 112.916	CL605	3			twin coil
C 280	01.05 - 02.07	170	2996	6	M 272.940	CL621	6	CP015	6	pencil
C 280 4-matic	01.05 - 02.07	170	2996	6	M 272.941	CL621	6	CP015	6	pencil
C 32 AMG Kompressor	02.01 - 02.07	260	3199	6	M 112.961	CL605	3			twin coil
C 320	05.00 - 02.07	160	3199	6	M 112.946	CL605	3			twin coil
C 320 4-matic	07.02 - 02.07	160	3199	6	M 112.953	CL605	3			twin coil
C 350	01.05 - 02.07	200	3498	6	M 272.960	CL605	3			twin coil
						CL621	6	CP015	6	pencil
C 350 4-matic	01.05 - 02.07	200	3498	6	M 272.960/M 272.970	CL605	3			twin coil
						CL621	6	CP015	6	pencil
C 55 AMG	02.04 - 02.07	270	5439	8	M 113.988	CL605	4			twin coil
C-Class (W204)										
C 180 CGI	01.07 -	115	1796	4	M 271.820	CL622	4	CP039	4	pencil
C 180 Kompressor	01.08 -	115	1597	4	M 271.910	CL622	4	CP039	4	pencil
C 180 Kompressor	01.07 -	115	1796	4	M 271.952	CL622	4	CP039	4	pencil
C 200 CG	01.07 -	135	1796	4	M 271.820	CL622	4	CP039	4	pencil
C 200 Kompressor	01.07 -	135	1796	4	M 271.950	CL622	4	CP039	4	pencil
C 230	01.07 -	150	2496	6	M 272.921	CL621	6	CP015	6	pencil
C 230 4-matic	07.07 -	150	2496	6	M 272.911	CL621	6	CP015	6	pencil
C 250 CGI	07.09 -	150	1796	4	M 271.860	CL622	4	CP039	4	pencil
C 280	01.07 -	170	2996	6	M 272.947	CL621	6	CP015	6	pencil
C 280 4-matic	07.07 -	170	2996	6	M 272.948	CL621	6	CP015	6	pencil
C 300	07.09 -	170	2996	6	M 272.947	CL621	6	CP015	6	pencil
C 300	02.11 - 01.14	185	3498	6	M 276.957	CL629	6			pencil
C 300 4-matic	02.11 - 01.14	185	3498	6	M 276.957	CL629	6			pencil
C 300 4-matic	07.07 -	170	2996	6	M 272.948	CL621	6	CP015	6	pencil
C 350	01.07 -	200	3498	6	M 272.961	CL621	6	CP015	6	pencil
C 350	01.11 -	225	3498	6	M 276.957	CL621	6	CP015	6	pencil
C 350 4-matic	07.07 -	200	3498	6	M 272.971	CL621	6	CP015	6	pencil
C 350 4-matic	01.11 -	225	3498	6	M 276.957	CL621	6	CP015	6	pencil
C 350 CGI	09.08 - 01.14	215	3498	6	M 272.982	CL628	6			
C 63 AMG	02.08 - 01.14	358	6208	8	M 156.985	CL627	8			pencil
C 63 AMG	02.08 - 01.14	336	6208	8	M 156.985	CL627	8			pencil

M

model	year	kW	cm ³	cyl	engine	coil	pcs	boot	pcs	info
MERCEDES										
C-Class Coupe (C204)										
C 180	06.11 -	115	1796	4	M 271.820	CL622	4	CP039	4	pencil
C 250	06.11 -	150	1796	4	M 271.860	CL622	4	CP039	4	pencil
C 350	06.11 -	225	3498	6	M 276.957	CL629	6			pencil
C 63 AMG	01.12 -	358	6208	8	M 156.985	CL627	8			pencil
C 63 AMG	01.12 -	380	6208	8	M 156.985	CL627	8			pencil
C 63 AMG	06.11 -	336	6208	8	M 156.985	CL627	8			pencil
C-Class Coupe (CL203)										
C 160 Kompressor	05.02 - 11.06	90	1796	4	M 271.921	CL618	4			year / pencil
	11.06 - 05.08	90	1796	4	M 271.921	CL622	4	CP039	4	year / pencil
C 180	03.01 - 05.02	95	1998	4	M 111.951	CL616	4	CP038	4	pencil
C 180 Kompressor	05.02 - 11.06	105	1796	4	M 271.946	CL618	4	CP039	4	year / pencil
	11.06 - 05.08	105	1796	4	M 271.946	CL622	4	CP039	4	year / pencil
C 200 CGI Kompressor	03.03 - 11.06	125	1796	4	M 271.942	CL618	4	CP039	4	year / pencil
	11.06 - 05.08	125	1796	4	M 271.942	CL622	4	CP039	4	year / pencil
C 200 Kompressor	05.02 - 11.06	120	1796	4	M 271.940	CL618	4	CP039	4	year / pencil
	11.06 - 05.08	120	1796	4	M 271.940	CL622	4	CP039	4	year / pencil
C 200 Kompressor	03.01 - 05.02	120	1998	4	M 111.955	CL616	4	CP038	4	pencil
C 230	01.05 - 05.08	150	2496	6	M 272.920	CL621	6	CP015	6	pencil
C 230 Kompressor	05.02 - 11.06	141	1796	4	M 271.948	CL618	4	CP039	4	year / pencil
	11.06 - 05.08	141	1796	4	M 271.948	CL622	4	CP039	4	year / pencil
C 230 Kompressor	03.01 - 05.02	145	2295	4	M 111.981	CL616	4	CP038	4	pencil
C 32 AMG Kompressor	05.02 - 05.08	260	3199	6	M 112.961	CL605	3			twin coil
C 320	09.02 - 05.08	160	3199	6	M 112.946	CL605	3			twin coil
C 350	01.05 - 05.08	200	3498	6	M 272.960	CL605	3			twin coil
						CL621	6	CP015	6	pencil
C-Class Kombi (S202)										
C 180 T	06.96 - 09.00	90	1799	4	M 111.920	CL611	2			coil 2xPIN / engine code
			1799	4	M 111.921	CL604	2	CP004	2	semidirect / coil with COP boot
			1799	4	M 111.921	CL606	2	CP004	2	semidirect / coil without COP boot
C 180 T	09.00 - 03.01	95	1998	4	M 111.952	CL616	4	CP038	4	pencil
C 200 T	06.96 - 03.01	100	1998	4	M 111.941	CL611	2			coil 2xPIN / engine code
			1998	4	M 111.945	CL604	2	CP004	2	semidirect / coil with COP boot
			1998	4	M 111.945	CL606	2	CP004	2	semidirect / coil without COP boot
C 200 T Kompressor	09.00 - 03.01	120	1998	4	M 111.956	CL616	4	CP038	4	pencil
C 200 T Kompressor	11.96 - 03.01	141	1998	4	M 111.944	CL604	2	CP004	2	semidirect / coil with COP boot
						CL606	2	CP004	2	semidirect / coil without COP boot
C 230 T	06.96 - 06.98	110	2295	4	M 111.974	CL604	2	CP004	2	semidirect / coil with COP boot
						CL606	2	CP004	2	semidirect / coil without COP boot
C 230 T Kompressor	06.97 - 09.00	142	2295	4	M 111.975	CL604	2	CP004	2	semidirect / coil with COP boot
						CL606	2	CP004	2	semidirect / coil without COP boot
C 240 T	06.97 - 09.00	125	2398	6	M 112.910	CL605	3			twin coil
C 240 T	09.00 - 03.01	125	2597	6	M 112.915	CL605	3			twin coil
C 280 T	06.97 - 03.01	145	2799	6	M 112.920	CL605	3			twin coil
C 43 AMG	08.97 - 03.01	225	4266	8	M 113.944	CL605	4			twin coil
C-Class T-Model (S203)										
C 180	03.01 - 05.02	95	1998	4	M 111.951	CL616	4	CP038	4	pencil
C 180 Kompressor	05.02 - 11.06	105	1796	4	M 271.946	CL618	4	CP039	4	year / pencil
	11.06 - 08.07	105	1796	4	M 271.946	CL622	4	CP039	4	year / pencil
C 200 CGI Kompressor	07.03 - 11.06	125	1796	4	M 271.942	CL618	4	CP039	4	year / pencil
	11.06 - 08.07	125	1796	4	M 271.942	CL622	4	CP039	4	year / pencil
C 200 Kompressor	05.02 - 11.06	120	1796	4	M 271.940	CL618	4	CP039	4	year / pencil
	11.06 - 08.07	120	1796	4	M 271.940	CL622	4	CP039	4	year / pencil
C 200 Kompressor	03.01 - 05.02	120	1998	4	M 111.955	CL616	4	CP038	4	pencil
C 230	01.05 - 08.07	150	2496	6	M 272.920	CL621	6	CP015	6	pencil
C 230 Kompressor	02.04 - 11.06	141	1796	4	M 271.948	CL618	4	CP039	4	year / pencil
	11.06 - 08.07	141	1796	4	M 271.948	CL622	4	CP039	4	year / pencil
C 240	03.01 - 08.07	125	2597	6	M 112.912	CL605	3			twin coil
C 240 4-matic	07.02 - 08.07	125	2597	6	M 112.916	CL605	3			twin coil
C 280	01.05 - 08.07	170	2996	6	M 272.940	CL621	6	CP015	6	pencil
C 280 4-matic	01.05 - 08.07	170	2996	6	M 272.941	CL621	6	CP015	6	pencil
C 32 AMG Kompressor	03.01 - 08.07	260	3199	6	M 112.961	CL605	3			twin coil
C 320	03.01 - 08.07	160	3199	6	M 112.946	CL605	3			twin coil
C 320 4-matic	07.02 - 08.07	160	3199	6	M 112.953	CL605	3			twin coil
C 350	01.05 - 08.07	200	3498	6	M 272.960	CL605	3			twin coil
						CL621	6	CP015	6	pencil
C 350 4-matic	01.05 - 08.07	200	3498	6	M 272.970	CL605	3			twin coil
						CL621	6	CP015	6	pencil
C 55 AMG	02.04 - 08.07	270	5439	8	M 113.988	CL605	4			twin coil
C-Class T-Model (S204)										
C 180 CGI	11.09 -	115	1796	4	M 271.820	CL622	4	CP039	4	pencil
C 180 Kompressor	01.08 -	115	1597	4	M 271.910	CL622	4	CP039	4	pencil



model	year	kW	cm ³	cyl	engine	coil	pcs	boot	pcs	info
MERCEDES										
◀ C-Class T-Model (S204)										
C 180 Kompressor	08.07 -	115	1796	4	M 271.952	CL622	4	CP039	4	pencil
C 200 Kompressor	08.07 -	135	1796	4	M 271.950	CL622	4	CP039	4	pencil
C 230	08.07 -	150	2496	6	M 272.921	CL621	6	CP015	6	pencil
C 250	07.09 -	150	1796	4	M 271.860	CL622	4	CP039	4	pencil
C 280	08.07 -	170	2996	6	M 272.947	CL621	6	CP015	6	pencil
C 350	08.07 -	200	3498	6	M 272.961	CL621	6	CP015	6	pencil
C 350 CGI	06.11 - 08.14	225	3498	6	M 276.957	CL629	6			pencil
C 63 AMG	01.12 - 08.14	358	6208	8	M 156.985	CL627	8			pencil
C 63 AMG	02.08 -	336	6208	8	M 156.985	CL627	8			pencil
CLC-Class (CL203)										
CLC 160	02.09 - 06.11	95	1597	4	M 271.911	CL622	4	CP039	4	pencil
CLC 180 Kompressor	05.08 - 06.11	105	1796	4	M 271.946	CL622	4	CP039	4	pencil
CLC 200 Kompressor	05.08 - 06.11	135	1796	4	M 271.957	CL622	4	CP039	4	pencil
CLC 230	05.08 - 06.11	150	2496	6	M 272.920	CL621	6	CP015	6	pencil
CLC 350	05.08 - 06.11	200	3498	6	M 272.960	CL621	6	CP015	6	pencil
CLK (C208)										
200	06.97 - 06.02	100	1998	4	M 111.945	CL604	2	CP004	2	semidirect / coil with COP boot
						CL606	2	CP004	2	semidirect / coil without COP boot
200 Kompressor	06.00 - 06.02	120	1998	4	M 111.956	CL616	4	CP038	4	pencil
200 Kompressor	06.97 - 06.00	141	1998	4	M 111.944	CL604	2	CP004	2	semidirect / coil with COP boot
						CL606	2	CP004	2	semidirect / coil without COP boot
230 Kompressor	06.97 - 06.00	142	2295	4	M 111.975/M 111.973	CL604	2	CP004	2	semidirect / coil with COP boot
						CL606	2	CP004	2	semidirect / coil without COP boot
230 Kompressor	06.00 - 06.02	145	2295	4	M 111.982	CL616	4	CP038	4	pencil
320	06.97 - 06.02	160	3199	6	M 112.940	CL605	3			twin coil
430	07.98 - 06.02	205	4266	8	M 113.943	CL605	4			twin coil
55 AMG	08.99 - 06.02	255	5439	8	M 113.981/M 113.984	CL605	4			twin coil
CLK (C209)										
200 CGI	07.03 - 11.06	125	1796	4	M 271.942	CL618	4	CP039	4	year / pencil
	11.06 - 05.09	125	1796	4	M 271.942	CL622	4	CP039	4	year / pencil
200 Kompressor	10.06 - 05.09	135	1796	4	M 271.955	CL622	4	CP039	4	pencil
200 Kompressor	09.02 - 11.06	120	1796	4	M 271.940	CL618	4	CP039	4	year / pencil
	11.06 - 05.09	120	1796	4	M 271.940	CL622	4	CP039	4	year / pencil
240	06.02 - 05.09	125	2597	6	M 112.912	CL605	3			twin coil
280	01.05 - 05.09	170	2996	6	M 272.940	CL621	6	CP015	6	pencil
320	06.02 - 05.09	160	3199	6	M 112.955	CL605	3			twin coil
350	01.05 - 05.09	200	3498	6	M 272.960	CL621	6	CP015	6	pencil
500	06.06 - 05.09	285	5461	8	M 273.965	CL605	4			twin coil
500	06.02 - 05.09	225	4966	8	M 113.968	CL605	4			twin coil
55 AMG	09.02 - 05.09	270	5439	8	M 113.987	CL605	4			twin coil
55 DTM AMG	06.04 - 05.09	428	5439	8	M 113.994	CL605	4			twin coil
63 AMG	04.06 - 05.09	354	6208	8	M 156.982	CL627	8			pencil
63 AMG	05.07 - 05.09	373	6208	8	M 156.982	CL627	8			pencil
CLK Cabriolet (A208)										
200	03.98 - 03.02	100	1998	4	M 111.941	CL604	2	CP004	2	semidirect / coil with COP boot
						CL606	2	CP004	2	semidirect / coil without COP boot
200 Kompressor	06.00 - 03.02	120	1998	4	M 111.956	CL616	4	CP038	4	pencil
200 Kompressor	03.98 - 06.00	141	1998	4	M 111.944	CL604	2	CP004	2	semidirect / coil with COP boot
						CL606	2	CP004	2	semidirect / coil without COP boot
230 Kompressor	03.98 - 06.00	142	2295	4	M 111.975/M 111.973	CL604	2	CP004	2	semidirect / coil with COP boot
						CL606	2	CP004	2	semidirect / coil without COP boot
230 Kompressor	06.00 - 03.02	145	2295	4	M 111.982	CL616	4	CP038	4	pencil
320	03.98 - 03.02	160	3199	6	M 112.940	CL605	3			twin coil
430	09.98 - 03.02	205	4266	8	M 113.943	CL605	4			twin coil
55 AMG	01.00 - 03.02	255	5439	8	M 113.981/M 113.984	CL605	4			twin coil
CLK Cabriolet (A209)										
CLK 200 CGI	07.03 - 03.10	125	1796	4	M 271.942	CL622	4	CP039	4	pencil
CLK 200 Kompressor	02.03 - 11.06	120	1796	4	M 271.940	CL618	4	CP039	4	year / pencil
	11.06 - 03.10	120	1796	4	M 271.940	CL622	4	CP039	4	year / pencil
CLK 200 Kompressor	10.06 - 03.10	135	1796	4	M 271.955	CL622	4	CP039	4	pencil
CLK 240	02.03 - 03.10	125	2597	6	M 112.912	CL605	3			twin coil
CLK 280	01.05 - 03.10	170	2996	6	M 272.940	CL621	6	CP015	6	pencil
CLK 320	02.03 - 03.10	160	3199	6	M 112.955	CL605	3			twin coil
CLK 350	01.05 - 03.10	200	3498	6	M 272.960	CL621	6	CP015	6	pencil
CLK 500	06.06 - 03.10	285	5461	8	M 273.967	CL621	8	CP015	8	pencil
CLK 500	02.03 - 03.10	225	4966	8	M 113.968	CL605	4			twin coil
CLK 55 AMG	02.03 - 03.10	270	5439	8	M 113.987	CL605	4			twin coil
CLK 63 AMG	04.06 - 03.10	354	6208	8	M 156.982	CL627	8			pencil
CLS (C218)										
CLK 63 AMG	02.11 -	386	5461	8	M 157.981	CL629	8			pencil
CLK 63 AMG	01.11 -	410	5461	8	M 157.981	CL629	8			pencil

model	year	kW	cm ³	cyl	engine	coil	pcs	boot	pcs	info
MERCEDES										
CL5 (C218)										
CL5 63 AMG 4-matic	02.13 -	430	5461	8	M 157.981	CL629	8			pencil
CL5 63 AMG 4-matic	05.13 -	410	5461	8	M 157.981	CL629	8			pencil
CL5 (C219)										
CL5 280	07.08 - 12.10	170	2996	6	M 272.943	CL621	6	CP015	6	pencil
CL5 300	04.09 - 12.10	170	2996	6	M 272.943	CL621	6	CP015	6	pencil
CL5 350	10.04 - 12.10	200	3498	6	M 272.964	CL621	6	CP015	6	pencil
CL5 350	04.06 - 12.10	215	3498	6	M 272.985	CL628	6			
CL5 350 CGI	04.09 - 12.10	215	3498	6	M 272.985	CL628	6			
CL5 500	04.06 - 12.10	285	5461	8	M 273.960	CL621	8	CP015	8	pencil
CL5 500	10.04 - 12.10	225	4966	8	M 113.967	CL605	4			twin coil
CL5 55 AMG	01.05 - 12.10	350	5439	8	M 113.990	CL605	4			twin coil
CL5 63 AMG	04.06 - 12.10	378	6208	8	M 156.983	CL627	8			pencil
CL5 Shooting Brake (X218)										
CL5 350	10.12 -	225	3498	6	M 276.952	CL629	6			pencil
CL5 500	10.12 -	300	4663	8	M 278.922	CL629	8			pencil
CL5 500 4-matic	10.12 -	300	4663	8	M 278.922	CL629	8			pencil
CL5 63 AMG	05.13 -	410	5461	8	M 157.981	CL629	8			pencil
CL5 63 AMG 4-matic	02.13 -	430	5461	8	M 157.981	CL629	8			pencil
CL5 63 AMG 4-matic	05.13 -	410	5461	8	M 157.981	CL629	8			pencil
Coupe (C124)										
220 CE	10.92 - 05.93	110	2199	4	M 111.960	CL611	2			twin coil
230 CE	03.87 - 12.92	97	2298	4	M 102.982	CL609	1			coil OEM No. 0001584503
						CL614	1			coil OEM No. 0001586203
230 CE	03.87 - 12.92	100	2298	4	M 102.982	CL609	1			coil OEM No. 0001584503
						CL614	1			coil OEM No. 0001586203
230 CE cat	06.89 - 12.92	97	2298	4	M 102.982	CL609	1			coil OEM No. 0001584503
						CL614	1			coil OEM No. 0001586203
300 CE	03.87 - 05.93	132	2960	6	M 103.983	CL609	1			
300 CE-24	09.89 - 12.92	162	2960	6	M 104.980	CL612	1			
320 CE	10.92 - 05.93	162	3199	6	M 104.992	CL604	3	CP004	3	semidirect / pencil
E-Class (W124)										
E 200	06.93 - 06.95	100	1998	4	M 111.940	CL611	2			twin coil
E 220	06.93 - 06.95	110	2199	4	M 111.960	CL611	2			twin coil
E 280	06.93 - 06.95	145	2799	6	M 104.942	CL604	3	CP004	3	semidirect / pencil
E 280	06.93 - 06.95	142	2799	6	M 104.942	CL604	3	CP004	3	semidirect / pencil
E 300 4-matic	06.93 - 06.95	132	2960	6	M 103.985	CL609	1			
E 320	06.93 - 06.95	162	3199	6	M 104.992	CL604	3	CP004	3	semidirect / pencil
E 420	06.93 - 06.95	205	4196	8	M 119.975	CL612	1			for cyl 5-6-7-8
						CL613	1			for cyl 1-2-3-4
E 500	06.93 - 06.95	235	4973	8	M 119.974	CL612	1			for cyl 5-6-7-8
						CL613	1			for cyl 1-2-3-4
E 60 AMG	05.94 - 06.95	280	5956	8	M 119.974 AMG	CL613	1			coil OEM No. 0001586503
						CL614	1			coil OEM No. 0001586203
E-Class (W210)										
E 200	06.95 - 08.00	100	1998	4	M 111.942	CL604	2	CP004	2	semidirect / coil with COP boot
						CL606	2	CP004	2	semidirect / coil without COP boot
E 200 Kompressor	08.00 - 03.02	120	1998	4	M 111.957	CL616	4	CP038	4	pencil
E 200 Kompressor	06.97 - 03.02	137	1998	4	M 111.947	CL606	2	CP004	2	semidirect / pencil
E 230	06.95 - 06.97	110	2295	4	M 111.970	CL604	2	CP004	2	semidirect / coil with COP boot
						CL606	2	CP004	2	semidirect / coil without COP boot
E 240	06.97 - 08.00	125	2398	6	M 112.911	CL605	3			twin coil
E 240	08.00 - 03.02	125	2597	6	M 112.914	CL605	3			twin coil
E 280	01.96 - 06.97	142	2799	6	M 104.945	CL604	3	CP004	3	semidirect / pencil
E 280	12.96 - 03.02	150	2799	6	M 112.921	CL605	3			twin coil
E 280 4-matic	12.96 - 03.02	150	2799	6	M 112.921	CL605	3			
E 320	06.95 - 06.97	162	3199	6	M 104.995	CL604	3	CP004	3	semidirect / pencil
E 320	06.97 - 03.02	165	3199	6	M 112.941	CL605	3			twin coil
E 320 4-matic	06.97 - 03.02	165	3199	6	M 112.941	CL605	3			twin coil
E 420	01.96 - 06.97	205	4196	8	M 119.985	CL617	8			pencil
E 430	06.97 - 03.02	205	4266	8	M 113.940	CL605	4			twin coil
E 430 4-matic	05.99 - 03.02	205	4266	8	M 113.940	CL605	4			twin coil
E 50 AMG	02.96 - 08.97	255	4973	8	M 119.985 (AMG 5.0)	CL617	8			pencil
E 55 AMG	08.97 - 03.02	260	5439	8	M 113.980	CL605	4			twin coil
E 55 AMG 4-matic	03.01 - 03.02	260	5439	8	M 113.980	CL605	4			twin coil
E-Class (W211)										
E 200 Kompressor	04.06 - 11.06	135	1796	4	M 271.956	CL618	4	CP039	4	year / pencil
	11.06 - 12.08	135	1796	4	M 271.956	CL622	4	CP039	4	year / pencil
E 200 Kompressor	11.02 - 11.06	120	1796	4	M 271.941	CL618	4	CP039	4	year / pencil
	11.06 - 12.08	120	1796	4	M 271.941	CL622	4	CP039	4	year / pencil
E 200 NGT	11.06 - 12.08	120	1796	4	M 271.941	CL622	4	CP039	4	pencil
E 230	09.07 - 12.08	150	2496	6	M 272.922	CL621	6	CP015	6	pencil



model	year	kW	cm ³	cyl	engine	coil	pcs	boot	pcs	info
MERCEDES										
E-Class (W211)										
E 240	03.02 - 12.08	130	2597	6	M 112.917/M 112.913	CL605	3			twin coil
E 240 4-matic	03.03 - 12.08	130	2597	6	M 112.917	CL605	3			twin coil
E 280	03.05 - 12.08	170	2996	6	M 272.943	CL621	6	CP015	6	pencil
E 280 4-matic	01.06 - 12.08	170	2996	6	M 272.943	CL621	6	CP015	6	pencil
E 320	03.02 - 12.08	165	3199	6	M 112.949	CL605	3			twin coil
E 320 4-matic	03.03 - 12.08	165	3199	6	M 112.954	CL605	3			twin coil
E 350	03.05 - 12.08	200	3498	6	M 272.964	CL621	6	CP015	6	pencil
E 350 4-matic	03.05 - 12.08	200	3498	6	M 272.972	CL621	6	CP015	6	pencil
E 350 CGI	09.07 - 12.08	215	3498	6	M 272.985	CL628	6			
E 500	03.02 - 12.08	225	4966	8	M 113.967	CL605	4			twin coil
E 500	04.06 - 12.08	285	5461	8	M 273.960	CL605	4			twin coil
						CL621	8	CP015	8	pencil
E 500 4-matic	10.03 - 12.08	225	4966	8	M 113.969	CL605	4			twin coil
E 500 4-matic	04.06 - 12.08	285	5461	8	M 273.962	CL605	4			twin coil
						CL621	8	CP015	8	pencil
E 55 AMG Kompressor	10.02 - 12.08	350	5439	8	M 113.990	CL605	4			twin coil
E 63 AMG	03.06 - 12.08	378	6208	8	M 156.983	CL627	8			pencil
E-Class (W212)										
E 200 CGI	08.09 -	135	1796	4	M 271.820/M 271.860	CL622	4	CP039	4	pencil
E 200 NGT	03.11 -	120	1796	4	M 271.958	CL622	4	CP039	4	pencil
E 250 CGI	01.09 -	150	1796	4	M 271.860	CL622	4	CP039	4	pencil
E 300	07.11 -	185	3498	6	M 276.952	CL629	6			pencil
E 350 4-matic	01.09 - 08.11	200	3498	6	M 272.977	CL621	6	CP015	6	pencil
E 350 CGI	01.09 - 08.11	215	3498	6	M 272.983/M 272.982	CL628	6			
E 500	01.09 -	285	5461	8	M 273.971	CL621	8	CP015	8	pencil
E 500 4-matic	01.09 -	285	5461	8	M 273.970	CL621	8	CP015	8	pencil
E 63 AMG	02.11 -	386	5461	8	M 157.980/M 157.981	CL629	8			pencil
E 63 AMG	02.11 -	410	5461	8	M 157.981	CL629	8			pencil
E 63 AMG	02.13 -	430	5461	8	M 157.981	CL629	8			pencil
E 63 AMG	12.09 -	386	6208	8	M 156.985	CL627	8			pencil
E 63 AMG 4-matic	02.13 -	430	5461	8	M 157.981	CL629	8			pencil
E 63 AMG 4-matic	02.11 -	410	5461	8	M 157.981	CL629	8			pencil
E-Class Cabriolet (A124)										
E 200	06.93 - 03.98	100	1998	4	M 111.940	CL611	2			twin coil
E 220	06.93 - 03.98	110	2199	4	M 111.960	CL611	2			twin coil
E 320	06.93 - 03.98	162	3199	6	M 104.992	CL604	3	CP004	3	semidirect / pencil
E 36 AMG	05.94 - 03.98	200	3606	6	M 104.992 (AMG 3.6)	CL604	3	CP004	3	semidirect / pencil
E-Class Cabriolet (A207)										
E 200 CGI	01.10 -	135	1796	4	M 271.820/M 271.860	CL622	4	CP039	4	pencil
E 250 CGI	01.10 -	150	1796	4	M 271.860	CL622	4	CP039	4	pencil
E 300	04.11 -	185	3498	6	M 276.957	CL629	6			pencil
E 350	04.11 -	225	3498	6	M 276.957	CL629	6			pencil
E 350	01.10 -	215	3498	6	M 272.982/M 272.984	CL628	6			
E 500	01.10 -	285	5461	8	M 273.966	CL621	8	CP015	8	pencil
E 500	09.11 -	300	4663	8	M 278.922	CL629	8			pencil
E-Class Coupe (C124)										
E 200	06.93 - 06.97	100	1998	4	M 111.940	CL611	2			twin coil
E 220	06.93 - 06.97	110	2199	4	M 111.960	CL611	2			twin coil
E 320	06.93 - 06.97	162	3199	6	M 104.992	CL604	3	CP004	3	semidirect / pencil
E 36 AMG	05.94 - 06.97	200	3606	6	M 104.992 (AMG 3.6)	CL604	3	CP004	3	semidirect / pencil
E 36 AMG	06.93 - 04.95	195	3606	6	M 104.992 (AMG 3.6)	CL604	3	CP004	3	semidirect / pencil
E-Class Coupe (C207)										
E 200 CGI	01.10 -	135	1796	4	M 271.820/M 271.860	CL622	4	CP039	4	pencil
E 250 CGI	01.09 -	150	1796	4	M 271.860	CL622	4	CP039	4	pencil
E 300	04.11 -	185	3498	6	M 276.957	CL629	6			pencil
E 350	01.09 -	215	3498	6	M 272.982/M 272.984	CL628	6			
E 350	04.11 -	225	3498	6	M 276.957	CL629	6			pencil
E 500	01.09 -	285	5461	8	M 273.966	CL621	8	CP015	8	pencil
E 500	09.11 -	300	4663	8	M 278.922	CL629	8			pencil
E-Class Kombi (S124)										
E 200 T	06.93 - 06.96	100	1998	4	M 111.940	CL611	2			twin coil
E 220 T	06.93 - 06.96	110	2199	4	M 111.960	CL611	2			twin coil
E 280 T	06.93 - 06.96	142	2799	6	M 104.942	CL604	3	CP004	3	semidirect / pencil
E 280 T	06.93 - 06.96	145	2799	6	M 104.942	CL604	3	CP004	3	semidirect / pencil
E 300 T 4-matic	06.93 - 06.96	132	2960	6	M 103.985	CL609	1			
E 320 T	06.93 - 06.96	162	3199	6	M 104.992	CL604	3	CP004	3	semidirect / pencil
E 36 T AMG	05.94 - 06.96	200	3606	6	M 104.992 (AMG 3.6)	CL604	3	CP004	3	semidirect / pencil
E-Class Kombi (S210)										
E 200 T	06.96 - 08.00	100	1998	4	M 111.942	CL604	2	CP004	2	semidirect / coil with COP boot
						CL606	2	CP004	2	semidirect / coil without COP boot
E 200 T Kompressor	08.00 - 03.03	120	1998	4	M 111.957	CL616	4	CP038	4	pencil

model	year	kW	cm ³	cyl	engine	coil	pcs	boot	pcs	info
MERCEDES										
E-Class Kombi (S210)										
E 200 T Kompressor	06.97 - 03.03	137	1998	4	M 111.947	CL606	2	CP004	2	semidirect / pencil
E 230 T	06.96 - 06.97	110	2295	4	M 111.970	CL604	2	CP004	2	semidirect / coil with COP boot
						CL606	2	CP004	2	semidirect / coil without COP boot
E 240 T	06.97 - 03.03	125	2398	6	M 112.911	CL605	3			twin coil
E 240 T	08.00 - 03.03	125	2597	6	M 112.914	CL605	3			twin coil
E 280 T	12.96 - 03.03	150	2799	6	M 112.921	CL605	3			twin coil
E 280 T 4-matic	12.96 - 03.03	150	2799	6	M 112.921	CL605	3			twin coil
E 320 T	12.96 - 03.03	165	3199	6	M 112.941	CL605	3			twin coil
E 320 T 4-matic	12.96 - 03.03	165	3199	6	M 112.941	CL605	3			twin coil
E 420 T	06.96 - 06.97	205	4196	8	M 119.985	CL617	4			pencil
E 430 T	06.97 - 03.03	205	4266	8	M 113.940	CL605	4			twin coil
E 430 T 4-matic	05.99 - 03.03	205	4266	8	M 113.940	CL605	4			twin coil
E 55 T AMG	08.97 - 03.03	260	5439	8	M 113.980	CL605	4			twin coil
E 55 T AMG 4-matic	03.01 - 03.03	260	5439	8	M 113.980	CL605	4			twin coil
E-Class T-Model (S211)										
350 CGI	05.06 - 07.09	215	3498	6	M 272.985	CL628	6			
E 200 Kompressor	04.06 - 11.06	135	1796	4	M 271.956	CL618	4	CP039	4	year / pencil
	11.06 - 07.09	135	1796	4	M 271.956	CL622	4	CP039	4	year / pencil
E 200 T Kompressor	03.03 - 11.06	120	1796	4	M 271.941	CL618	4	CP039	4	year / pencil
	11.06 - 07.09	120	1796	4	M 271.941	CL622	4	CP039	4	year / pencil
E 230 T	05.07 - 07.09	150	2496	6	M 272.922	CL621	6	CP015	6	pencil
E 240 T	03.03 - 07.09	130	2597	6	M 112.913	CL605	3			twin coil
E 240 T 4-matic	07.03 - 07.09	130	2597	6	M 112.917	CL605	3			twin coil
E 280 T	03.05 - 07.09	170	2996	6	M 272.943	CL621	6	CP015	6	pencil
E 280 T 4-matic	03.05 - 07.09	170	2996	6	M 272.943	CL621	6	CP015	6	pencil
E 320 T	03.03 - 07.09	165	3199	6	M 112.949	CL605	3			twin coil
E 320 T 4-matic	07.03 - 07.09	165	3199	6	M 112.954	CL605	3			twin coil
E 350 T	03.05 - 07.09	200	3498	6	M 272.964	CL621	6	CP015	6	pencil
E 350 T 4-matic	03.05 - 07.09	200	3498	6	M 272.972	CL621	6	CP015	6	pencil
E 500 T	10.03 - 07.09	225	4966	8	M 113.967	CL605	4			twin coil
E 500 T	04.06 - 07.09	285	5461	8	M 273.960	CL605	4			twin coil
						CL621	8	CP015	8	pencil
E 500 T 4-matic	10.03 - 07.09	225	4966	8	M 113.969	CL605	4			twin coil
E 500 T 4-matic	04.06 - 07.09	285	5461	8	M 273.962	CL605	4			twin coil
						CL621	8	CP015	8	pencil
E 55 T AMG Kompr.	07.03 - 07.09	350	5439	8	M 113.990	CL605	4			twin coil
E 63 AMG	03.06 - 07.09	378	6208	8	M 156.983	CL627	8			pencil
E-Class T-Model (S212)										
E 200 CGI	11.09 -	135	1796	4	M 271.860	CL622	4	CP039	4	pencil
E 250 CGI	11.09 -	150	1796	4	M 271.860	CL622	4	CP039	4	pencil
E 300	07.11 -	185	3498	6	M 276.952	CL629	6			pencil
E 300 4-matic	07.11 -	185	3498	6	M 276.952	CL629	6			pencil
E 350	09.11 -	225	3498	6	M 276.952	CL629	6			pencil
E 350 4-matic	11.09 -	200	3498	6	M 272.977	CL621	6	CP015	6	pencil
E 350 4-matic	09.11 -	225	3498	6	M 276.952	CL629	6			pencil
E 350 CGI	11.09 -	215	3498	6	M 272.983	CL628	6			
E 500	11.09 -	285	5461	8	M 273.971	CL621	8	CP015	8	pencil
E 500	09.11 -	300	4663	8	M 278.922	CL629	8			pencil
E 500 4-matic	09.11 -	300	4663	8	M 278.922	CL629	8			pencil
E 63 AMG	02.11 -	386	5461	8	M 157.980/M 157.981	CL629	8			pencil
E 63 AMG	02.11 -	410	5461	8	M 157.981	CL629	8			pencil
E 63 AMG	02.13 -	430	5461	8	M 157.981	CL629	8			pencil
E 63 AMG	08.09 -	386	6208	8	M 156.985	CL627	8			pencil
E 63 AMG 4-matic	02.13 -	430	5461	8	M 157.981	CL629	8			pencil
E 63 AMG 4-matic	02.11 -	410	5461	8	M 157.981	CL629	8			pencil
G-Class (W461)										
230 GE	06.93 -	92	2298	4	M 102.996/M 102.997	CL609	1			
230 GE	02.93 -	90	2298	4	M 102.979	CL614	1			
G-Class (W463)										
230 GE	06.90 - 06.93	93	2298	4	M 102.989	CL609	1			coil OEM No. 0001584503
						CL614	1			coil OEM No. 0001586203
300 GE	06.90 - 07.93	128	2960	6	M 103.987	CL609	1			1 st coil type
						CL612	1			2 nd coil type
						CL614	1			3 rd coil type
300 GE	06.90 -	125	2960	6	M 103.987	CL609	1			coil OEM No. 0001584503
						CL614	1			coil OEM No. 0001586203
G 320	09.94 - 12.97	155	3199	6	M 104.996	CL604	3	CP004	3	semidirect / pencil
G 320	07.97 -	158	3199	6	M 112.945	CL605	3			twin coil
G 36 AMG	01.95 -	200	3606	6	M 104.996 (AMG 3.6)	CL604	3	CP004	3	semidirect / pencil
G 500	04.98 -	218	4966	8	M 113.962	CL605	4			twin coil
G 55 AMG	04.99 -	260	5439	8	M 113.982	CL605	4			twin coil



model	year	kW	cm ³	cyl	engine	coil	pcs	boot	pcs	info
-------	------	----	-----------------	-----	--------	------	-----	------	-----	------

MERCEDES

G-Class (W463)

G 55 AMG	08.08 -	373	5439	8	M 113.993	CL605	4			twin coil
G 55 AMG	06.04 -	350	5439	8	M 113.993	CL605	4			twin coil
G 55 AMG	08.06 -	368	5439	8	M 113.993	CL605	4			twin coil
G 63 AMG	05.12 -	400	5461	8	M 157.980	CL629	8			pencil

G-Class Cabrio (W463)

230 GE	06.90 - 02.93	93	2298	4	M 102.989	CL609	1			coil OEM No. 0001584503
						CL614	1			coil OEM No. 0001586203
300 GE	09.89 - 09.97	125	2960	6	M 103.987	CL609	1			coil OEM No. 0001584503
						CL614	1			coil OEM No. 0001586203
320 GE	09.94 - 11.97	155	3199	6	M 104.996	CL604	3	CP004	3	semidirect / pencil
G 320	11.97 -	158	3199	6	M 112.945	CL605	3			twin coil
G 500	04.98 -	218	4966	8	M 113.962	CL605	4			twin coil

GL-Class (X164)

GL 450 4-matic	09.06 -	250	4663	8	M 273.923	CL621	8	CP015	8	pencil
GL 500 4-matic	09.06 -	285	5461	8	M 273.963	CL621	8	CP015	8	pencil

GL-Class (X166)

GL 500 4-matic	07.12 -	320	4663	8	M 278.928	CL629	8			pencil
GL 63 AMG 4-matic	07.12 -	410	5461	8	M 157.982	CL629	8			pencil

GLK-Class (X204)

280 4-matic	06.08 - 06.09	170	2996	6	M 272.948	CL621	6	CP015	6	pencil
300 4-matic	07.09 - 04.11	170	2996	6	M 272.948	CL621	6	CP015	6	pencil
350 4-matic	06.08 - 04.11	200	3498	6	M 272.971	CL621	6	CP015	6	pencil
350 4-matic	06.08 -	225	3498	6	M 276.957	CL629	6			pencil

Kombi (S124)

200 T	01.86 - 05.90	77	1996	4	M 102.922	CL609	1			coil OEM No. 0001584503
						CL614	1			coil OEM No. 0001586203
200 T	09.85 - 08.89	80	1996	4	M 102.922	CL609	1			coil OEM No. 0001584503
						CL614	1			coil OEM No. 0001586203
200 TE	09.88 - 12.89	90	1996	4	M 102.962	CL609	1			coil OEM No. 0001584503
						CL614	1			coil OEM No. 0001586203
200 TE	05.86 - 06.93	100	1998	4	M 111.940	CL611	2			twin coil
200 TE	09.88 - 08.92	87	1996	4	M 102.963	CL609	1			coil OEM No. 0001584503
						CL614	1			coil OEM No. 0001586203
220 TE	10.92 - 05.93	110	2199	4	M 111.960	CL611	2			twin coil
230 TE	09.85 - 08.92	100	2298	4	M 102.982	CL609	1			coil OEM No. 0001584503
						CL614	1			coil OEM No. 0001586203
230 TE	09.85 - 08.92	97	2298	4	M 102.982	CL609	1			coil OEM No. 0001584503
						CL614	1			coil OEM No. 0001586203
230 TE cat	06.89 - 08.92	97	2298	4	M 102.982	CL609	1			coil OEM No. 0001584503
						CL614	1			coil OEM No. 0001586203
280 TE	10.92 - 06.93	145	2799	6	M 104.942	CL604	3	CP004	3	semidirect / pencil
300 TE 4-matic	09.86 - 06.93	132	2960	6	M 103.985	CL609	1			
300 TE-24	09.89 - 08.92	162	2960	6	M 104.980	CL612	1			
320 TE	10.92 - 06.93	162	3199	6	M 104.992	CL604	3	CP004	3	semidirect / pencil

M-Class (W163)

ML 230	02.98 - 06.05	110	2295	4	M 111.977	CL606	2	CP004	2	semidirect / pencil
ML 320	02.98 - 08.02	160	3199	6	M 112.942	CL605	3			twin coil
ML 350	08.02 - 06.05	180	3724	6	M 112.970	CL605	3			twin coil
ML 350 4-matic	02.03 - 06.05	173	3724	6	M 112.970	CL605	3			twin coil
ML 430	02.98 - 06.05	200	4266	8	M 113.942	CL605	4			twin coil
ML 500	09.01 - 06.05	215	4966	8	M 113.964/M 113.965	CL605	4			twin coil
ML 55 AMG	02.00 - 06.05	255	5439	8	M 113.981	CL605	4			twin coil

M-Class (W164)

ML 350 4-matic	07.05 -	200	3498	6		CL621	6	CP015	6	pencil
ML 500 4-matic	12.07 -	285	5461	8	M 273.963	CL621	8	CP015	8	pencil
ML 500 4-matic	07.05 -	225	4966	8	M 113.964	CL605	4			twin coil
ML 63 AMG 4-matic	01.06 -	375	6208	8	M 156.980	CL627	8			pencil

M-Class (W166)

ML 350 4-matic	06.11 -	225	3498	6	M 276.955	CL629	6			pencil
ML 500 4-matic	02.12 -	300	4663	8	M 278.928	CL629	8			pencil
ML 63 AMG 4-matic	11.11 -	410	5461	8	M 157.982	CL629	8			pencil
ML 63 AMG 4-matic	11.11 -	386	5461	8	M 157.980	CL629	8			pencil

R-Class (W251, V251)

R 280	01.07 -	170	2996	6	M 272.945	CL621	6	CP015	6	pencil
R 300	07.09 -	170	2996	6	M 272.945	CL621	6	CP015	6	pencil
R 350	01.07 -	200	3498	6	M 272.967	CL621	6	CP015	6	pencil
R 350 4-matic	01.06 -	200	3498	6	M 272.967	CL621	6	CP015	6	pencil
R 350 CGI 4-matic	01.06 -	225	3498	6	M 276.958	CL629	6			pencil
R 500 4-matic	01.07 -	285	5461	8	M 273.963	CL621	8	CP015	8	pencil
R 500 4-matic	01.06 -	225	4966	8	M 113.971	CL605	4			twin coil
R 63 AMG	02.06 -	375	6208	8	M 156.980	CL627	8			pencil

model	year	kW	cm ³	cyl	engine	coil	pcs	boot	pcs	info
MERCEDES S-Class (W126)										
260 SE	09.85 - 06.91	118	2597	6	M 103.941	CL609	1			coil OEM No. 0001584503
						CL614	1			coil OEM No. 0001586203
260 SE	09.85 - 06.91	122	2597	6	M 103.941	CL609	1			coil OEM No. 0001584503
						CL614	1			coil OEM No. 0001586203
300 SE,SEL	01.86 - 06.91	132	2960	6	M 103.981	CL609	1			coil OEM No. 0001584503
						CL614	1			coil OEM No. 0001586203
300 SE,SEL	09.85 - 12.89	138	2960	6	M 103.981	CL609	1			coil OEM No. 0001584503
						CL614	1			coil OEM No. 0001586203
380 SE,SEL	12.79 - 08.85	150	3839	8	M 116.963	CL609	1			
420 SE,SEL	10.85 - 06.91	165	4196	8	M 116.965	CL612	1			
420 SE,SEL	10.85 - 12.87	170	4196	8	M 116.965	CL612	1			
420 SE,SEL	10.85 - 12.87	160	4196	8	M 116.965	CL612	1			
420 SE,SEL	10.85 - 06.91	150	4196	8	M 116.965	CL612	1			
500 SE,SEL	09.87 - 06.91	185	4973	8	M 117.965	CL612	1			
500 SE,SEL	09.87 - 06.91	195	4973	8	M 117.965	CL612	1			
500 SE,SEL	09.85 - 06.91	164	4973	8	M 117.965	CL612	1			
500 SE,SEL	12.79 - 08.85	170	4973	8	M 117.961/M 117.963	CL609	1			
500 SE,SEL	12.79 - 08.85	177	4973	8	M 117.961/M 117.963	CL609	1			
500 SE,SEL	09.85 - 06.91	180	4973	8	M 117.964/M 117.965	CL612	1			
500 SE,SEL cat	06.89 - 06.91	185	4973	8	M 117.965	CL612	1			
560 SE,SEL	08.87 - 06.91	205	5547	8	M 117.968	CL612	1			
560 SE,SEL	10.85 - 06.91	220	5547	8	M 117.968	CL612	1			
560 SE,SEL	10.85 - 12.87	200	5547	8	M 117.968	CL612	1			
560 SE,SEL	10.85 - 06.91	178	5547	8	M 117.968	CL612	1			
S-Class (W140)										
300 SE 2.8	01.93 - 10.98	145	2799	6	M 104.944	CL604	3	CP004	3	semidirect / coil with COP boot
						CL606	3	CP004	3	semidirect / coil without COP boot
300 SE,SEL/S320	03.91 - 10.98	170	3199	6	M 104.990	CL613	1			engine code
			3199	6	M 104.994	CL604	3	CP004	3	semidirect / coil with COP boot
			3199	6	M 104.994	CL606	3	CP004	3	semidirect / coil without COP boot
400 SE,SEL/S420	02.91 - 10.98	210	4196	8	M 119.971	CL609	1			coil for right side
	02.91 - 05.93	210				CL614	1			coil for left side / year
	09.92 - 10.98	210				CL613	1			coil for left side / year
	02.91 - 10.98	210				CL617	8			pencil
500 SE,SEL	02.91 - 05.93	240	4973	8	M 119.970	CL609	1			coil for right side / year
	02.91 - 05.93	240				CL613	1			1 st coil for left side / year
	02.91 - 05.93	240				CL614	1			2 nd coil for left side / year
	06.93 - 10.98	240				CL617	8			year / pencil
600 SE,SEL	04.91 - 12.92	300	5987	12	M 120.982/M 120.980	CL609	1			1 st coil for right side
						CL612	1			2 nd coil for right side
						CL613	1			coil for left side
S 280	02.93 - 10.98	142	2799	6	M 104.944	CL604	3	CP004	3	semidirect / coil with COP boot
						CL606	3	CP004	3	semidirect / coil without COP boot
S 420	01.93 - 10.98	205	4196	8	M 119.971	CL609	1			coil for right side
	06.93 - 10.98	205	4196	8	M 119.971	CL614	1			coil for left side
S 500	01.93 - 10.98	235	4973	8	M 119.980	CL617	8			pencil / engine code
			4973	8	M 119.970	CL609	1			coil for right side
			4973	8	M 119.970	CL613	1			1 st coil for left side
			4973	8	M 119.970	CL614	1			2 nd coil for left side
S 600	01.93 - 10.98	290	5987	12	M 120.982/M 120.980	CL609	1			1 st coil for right side
						CL612	1			2 nd coil for right side
						CL613	1			coil for left side
S-Class (W220)										
S 280	10.98 - 08.05	150	2799	6	M 112.922	CL605	3			twin coil
S 320	10.98 - 08.05	165	3199	6	M 112.944	CL605	3			twin coil
S 350	09.02 - 08.05	180	3724	6	M 112.972	CL605	3			twin coil
S 350 4-matic	06.03 - 08.05	180	3724	6	M 112.975	CL605	3			twin coil
S 430	10.98 - 08.05	205	4266	8	M 113.941	CL605	4			twin coil
S 430 4-matic	09.02 - 08.05	205	4266	8	M 113.948	CL605	4			twin coil
S 500	10.98 - 08.05	225	4966	8	M 113.960/M 113.966	CL605	4			twin coil
S 500 4-matic	09.02 - 08.05	225	4966	8	M 113.966	CL605	4			twin coil
S 55 AMG	04.99 - 08.05	265	5439	8	M 113.986	CL605	4			twin coil
S 55 AMG Kompressor	06.02 - 08.05	368	5439	8	M 113.991	CL605	4			twin coil
S-Class (W221)										
S 350	10.05 -	200	3498	6	M 272.965	CL621	6	CP015	6	pencil
S 350 4-matic	02.08 -	200	3498	6	M 272.975	CL621	6	CP015	6	pencil
S 350 CGI	04.11 -	225	3498	6	M 276.950	CL621	6	CP015	6	pencil
S 350 CGI 4-matic	04.11 -	225	3498	6	M 276.950	CL621	6	CP015	6	pencil
S 450	12.05 -	250	4663	8	M 273.922	CL621	8	CP015	8	pencil
S 450 4-matic	12.05 -	250	4663	8	M 273.924	CL621	8	CP015	8	pencil
S 500	10.05 -	285	5461	8	M 273.961	CL621	8	CP015	8	pencil



model	year	kW	cm ³	cyl	engine	coil	pcs	boot	pcs	info
-------	------	----	-----------------	-----	--------	------	-----	------	-----	------

MERCEDES

S-Class (W221)

S 500 4-matic	10.05 -	285	5461	8	M 273.961/M 273.968	CL621	8	CP015	8	pencil
S 500 CGI 4-matic	03.11 -	320	4663	8	M 278.932	CL629	8			pencil
S 500 CGI	04.11 -	320	4663	8	M 278.932	CL629	8			pencil
S 63 AMG	02.12 -	420	5461	8	M 157.980	CL629	8			pencil
S 63 AMG	03.11 -	400	5461	8	M 157.980	CL629	8			pencil
S 63 AMG	10.06 -	386	6208	8	M 156.984	CL627	8			pencil

S-Class Coupe (C126)

380 SEC	10.81 - 07.85	150	3839	8	M 116.963	CL609	1			
420 SEC	10.85 - 06.91	150	4196	8	M 116.965	CL612	1			
420 SEC	10.85 - 12.87	160	4196	8	M 116.965	CL612	1			
420 SEC	10.85 - 06.91	165	4196	8	M 116.965	CL612	1			
500 SEC	10.85 - 06.91	164	4973	8	M 117.965	CL612	1			
500 SEC	10.81 - 08.85	170	4973	8	M 117.963	CL609	1			
500 SEC	09.85 - 06.91	180	4973	8	M 117.965	CL612	1			
500 SEC	08.87 - 06.91	185	4973	8	M 117.965	CL612	1			
500 SEC	09.85 - 06.91	195	4973	8	M 117.965	CL612	1			
500 SEC cat	06.89 - 06.91	185	4973	8	M 117.965	CL612	1			
560 SEC	10.85 - 06.91	178	5547	8	M 117.968	CL612	1			
560 SEC	10.85 - 12.87	200	5547	8	M 117.968	CL612	1			
560 SEC	10.85 - 06.91	205	5547	8	M 117.968	CL612	1			
560 SEC	10.85 - 12.89	220	5547	8	M 117.968	CL612	1			

S-Class Coupe (C140)

SEC/CL 420	10.94 - 02.99	205	4196	8	M 119.971	CL613	2			engine code
						CL617	8			pencil / engine code
SEC/CL 500	10.92 - 02.99	235	4973	8	M 119.970	CL609	1			coil for right side
						CL613	1			1 st coil type for left side
						CL614	1			2 nd coil type for left side
						CL617	8			pencil
SEC/CL 600	09.92 - 02.99	290	5987	12	M 120.982/M 120.980	CL612	1			coil for right side
						CL613	1			coil for left side

S-Class Coupe (C215)

CL 500	03.99 - 03.06	225	4966	8	M 113.960	CL605	4			twin coil
CL 55 AMG	10.99 - 03.06	265	5439	8	M 113.986	CL605	4			twin coil
CL 55 AMG Kompressor	06.02 - 03.06	368	5439	8	M 113.991	CL605	4			twin coil

S-Class Coupe (C216)

CL 500	06.06 -	285	5461	8	M 273.961	CL621	8	CP015	8	pencil
CL 500	02.11 -	320	4663	8	M 278.920	CL629	8			pencil
CL 500 4-matic	02.08 -	285	5461	8	M 273.968	CL621	8	CP015	8	pencil
CL 500 4-matic	02.11 -	320	4663	8	M 278.920	CL629	8			pencil
CL 63 AMG	02.11 -	400	5461	8	M 157.980	CL629	8			pencil
CL 63 AMG	01.10 -	420	5461	8	M 157.980	CL629	8			pencil
CL 63 AMG	10.06 -	386	6208	8	M 156.984	CL627	8			pencil

Sedan (W124)

200	01.86 - 05.90	77	1996	4	M 102.922	CL609	1			coil OEM No. 0001584503
						CL614	1			coil OEM No. 0001586203
200	01.86 - 05.90	75	1996	4	M 102.922	CL609	1			coil OEM No. 0001584503
						CL614	1			coil OEM No. 0001586203
200	12.85 - 05.90	80	1996	4	M 102.922	CL609	1			coil OEM No. 0001584503
						CL614	1			coil OEM No. 0001586203
200 E	10.92 - 06.93	100	1998	4	M 111.940	CL611	2			twin coil
200 E	09.88 - 08.92	87	1996	4	M 102.963	CL609	1			coil OEM No. 0001584503
						CL614	1			coil OEM No. 0001586203
						CL609	1			coil OEM No. 0001584503
200 E	09.88 - 12.89	90	1996	4	M 102.963	CL614	1			coil OEM No. 0001586203
						CL611	2			twin coil
						CL609	1			coil OEM No. 0001584503
220 E	10.92 - 06.93	110	2199	4	M 111.960	CL609	1			coil OEM No. 0001584503
						CL614	1			coil OEM No. 0001586203
						CL611	2			twin coil
230 E	12.84 - 03.92	97	2298	4	M 102.982	CL609	1			coil OEM No. 0001584503
						CL614	1			coil OEM No. 0001586203
						CL609	1			coil OEM No. 0001584503
230 E	01.85 - 06.93	100	2298	4	M 102.982	CL614	1			coil OEM No. 0001586203
						CL609	1			coil OEM No. 0001584503
						CL614	1			coil OEM No. 0001586203
230 E cat	06.89 - 06.93	97	2298	4	M 102.982	CL609	1			coil OEM No. 0001584503
						CL614	1			coil OEM No. 0001586203
260 E	09.85 - 08.92	118	2597	6	M 103.940	CL609	1			coil OEM No. 0001584503
						CL614	1			coil OEM No. 0001586203
260 E	09.85 - 12.89	122	2597	6	M 103.940	CL609	1			coil OEM No. 0001584503
						CL614	1			coil OEM No. 0001586203
260 E 4-matic	09.86 - 08.92	118	2597	6	M 103.943	CL609	1			
260 E 4-matic	12.86 - 12.89	122	2597	6	M 103.940	CL609	1			
280 E	10.92 - 06.93	145	2799	6	M 104.942	CL604	3	CP004	3	semidirect / pencil
300 E 4-matic	09.86 - 06.93	132	2960	6	M 103.985	CL609	1			
300 E-24	09.88 - 08.92	162	2960	6	M 104.980	CL612	1			
320 E	10.92 - 06.93	162	3199	6	M 104.992	CL604	3	CP004	3	semidirect / pencil

model	year	kW	cm ³	cyl	engine	coil	pcs	boot	pcs	info
MERCEDES										
Sedan (W124)										
400 E 4.2	10.92 - 06.93	205	4196	8	M 119.975	CL612	1			coil for right side
						CL613	1			coil for left side
500 E	01.91 - 06.93	240	4973	8	M 119.974	CL609	1			1 st coil for cyl 5-6-7-8
						CL612	1			2 nd coil for cyl 5-6-7-8
						CL613	1			1 st coil for cyl 1-2-3-4
						CL614	1			2 nd coil for cyl 1-2-3-4
500 E AMG 6.0	01.92 - 06.93	275	5956	8		CL609	1			coil for cyl 5-6-7-8
						CL613	1			1 st coil for cyl 1-2-3-4
						CL614	1			2 nd coil for cyl 1-2-3-4
SL (R107)										
420 SL	01.86 - 08.89	150	4196	8	M 116.964	CL613	1			
420 SL	01.86 - 08.89	160	4196	8	M 116.964	CL613	1			
500 SL	01.86 - 08.89	164	4973	8	M 117.964	CL613	1			
500 SL	05.80 - 12.85	170	4973	8	M 117.960	CL609	1			
500 SL	05.80 - 12.81	177	4973	8	M 117.960	CL609	1			
500 SL	01.86 - 08.89	180	4973	8	M 117.964/M 117.960	CL613	1			
SL (R129)										
280	08.93 - 10.01	142	2799	6	M 104.943	CL604	3	CP004	3	semidirect / pencil
280	05.98 - 10.01	150	2799	6	M 112.923	CL605	3			twin coil
300 SL	03.89 - 08.93	140	2960	6	M 103.984	CL614	1			
300 SL-24	03.89 - 07.93	170	2960	6	M 104.981	CL613	1			
320	09.93 - 10.01	170	3199	6	M 104.991	CL604	3	CP004	3	semidirect / pencil
320	05.98 - 10.01	165	3199	6	M 112.943	CL605	3			twin coil
500	09.92 - 10.01	235	4973	8	M 119.972	CL612	1			engine code/coil for right side
				8	M 119.972	CL613	1			engine code/coil for left side
				8	M 119.982	CL617	8			pencil / engine code
500	05.98 - 10.01	225	4966	8	M 113.961	CL605	4			twin coil
500 SL	09.89 - 08.92	240	4973	8	M 119.960/M 119.972	CL609	1			coil for right side
						CL614	1			coil for left side
55 AMG	03.00 - 10.01	260	5439	8	M 113.985	CL605	4			twin coil
60 AMG	05.97 - 10.01	280	5956	8	M 122.981	CL617	8			pencil
600	07.92 - 10.01	290	5987	12	M 120.981	CL612	1			engine code/coil for right side
				12	M 120.981	CL613	1			engine code/coil for left side
				12	M 120.983	CL617	12			pencil / engine code
SL (R230)										
280	03.08 - 01.12	170	2996	6	M 272.949	CL621	6	CP015	6	pencil
300	04.09 - 01.12	170	2996	6	M 272.949	CL621	6	CP015	6	pencil
350	03.06 - 01.12	200	3498	6	M 272.966	CL621	6	CP015	6	pencil
350	04.08 - 01.12	232	3498	6	M 272.968	CL621	6	CP015	6	pencil
500	03.06 - 01.12	285	5461	8	M 273.965	CL605	4			twin coil
350	03.03 - 01.12	180	3724	6	M 112.973	CL605	3			twin coil
500	10.01 - 01.12	225	4966	8	M 113.963	CL605	4			twin coil
55 AMG	03.06 - 01.12	380	5439	8	M 113.995	CL605	4			twin coil
55 AMG	10.01 - 06.02	350	5439	8	M 113.992	CL605	4			twin coil
55 AMG Kompressor	06.02 - 01.12	368	5439	8	M 113.992	CL605	4			twin coil
63 AMG	03.08 - 01.12	386	6208	8	M 156.981	CL627	8			pencil
SL (R231)										
350	02.12 -	225	3498	6	M 276.954	CL629	6			pencil
500	01.12 -	320	4663	8	M 278.927	CL629	8			pencil
63 AMG	01.12 -	395	5461	8	M 157.983	CL629	8			pencil
63 AMG	01.12 -	415	5461	8	M 157.983	CL629	8			pencil
SLK (R170)										
200	09.96 - 03.00	100	1998	4	M 111.946	CL604	2	CP004	2	semidirect / coil with COP boot
						CL606	2	CP004	2	semidirect / coil without COP boot
200 Kompressor	03.00 - 04.04	120	1998	4	M 111.958	CL606	2	CP004	2	semidirect / pencil
						CL616	4	CP038	4	pencil
200 Kompressor	10.96 - 03.00	141	1998	4	M 111.943	CL606	2	CP004	2	semidirect / pencil
230 Kompressor	09.96 - 03.00	142	2295	4	M 111.973	CL606	2	CP004	2	semidirect / pencil
230 Kompressor	03.00 - 04.04	145	2295	4	M 111.983	CL616	4	CP038	4	pencil
32 AMG Kompressor	03.01 - 04.04	260	3199	6	M 112.960	CL605	3			twin coil
320	03.00 - 04.04	160	3199	6	M 112.947	CL605	3			twin coil
SLK (R171)										
200 Kompressor	03.04 - 11.06	120	1795	4	M 271.944	CL618	4	CP039	4	year / pencil
	11.06 - 02.11	120	1795	4	M 271.944	CL622	4	CP039	4	year / pencil
200 Kompressor	01.08 - 02.11	135	1796	4	M 271.954	CL622	4	CP039	4	pencil
280	01.05 - 02.11	170	2996	6	M 272.942	CL621	6	CP015	6	pencil
300	04.09 - 02.11	170	2996	6	M 272.942	CL621	6	CP015	6	pencil
350	06.04 - 02.11	200	3498	6	M 272.963	CL621	6	CP015	6	pencil
350	01.08 - 02.11	224	3498	6	M 272.969	CL621	6	CP015	6	pencil
55 AMG	06.04 - 02.11	265	5439	8	M 113.989	CL605	4			twin coil

model	year	kW	cm ³	cyl	engine	coil	pcs	boot	pcs	info
MERCEDES										
SLK (R172)										
200	02.11 -	135	1796	4	M 271.860/M 271.861	CL622	4	CP039	4	pencil
250	02.11 -	150	1796	4	M 271.860/M 271.861	CL622	4	CP039	4	pencil
350	02.11 -	225	3498	6	M 276.956	CL629	6			pencil
55 AMG	01.12 -	310	5461	8	M 152.980	CL629	8			pencil
SLR (R199)										
5.4	04.04 -	460	5439	8	M 155.980	CL605	4			twin coil
5.4 722 Edition	10.06 -	478	5439	8	M 155.980	CL605	4			twin coil
SLR Roadster (R199)										
5.4	04.07 -	460	5439	8	M 155.980	CL605	4			twin coil
5.4	10.06 -	478	5439	8	M 155.980	CL605	4			twin coil
Sprinter 2-t Bus (901, 902)										
214	02.95 - 05.06	105	2295	4	M 111.979	CL604	2	CP004	2	semidirect / coil with COP boot
						CL606	2	CP004	2	semidirect / coil without COP boot
214 NGT	04.00 - 05.06	92	2295	4	M 111.984	CL606	2	CP004	2	semidirect / pencil
Sprinter 2-t Flatbed (901, 902)										
214	02.95 - 05.06	105	2295	4	M 111.979	CL604	2	CP004	2	semidirect / coil with COP boot
						CL606	2	CP004	2	semidirect / coil without COP boot
214 NGT	04.00 - 05.06	92	2295	4		CL606	2	CP004	2	semidirect / pencil
Sprinter 2-t Van (901, 902)										
214	02.95 - 05.06	105	2295	4	M 111.979/M 111.984	CL604	2	CP004	2	semidirect / coil with COP boot
						CL606	2	CP004	2	semidirect / coil without COP boot
214 NGT	04.00 - 05.06	92	2295	4	M 111.984	CL606	2	CP004	2	semidirect / pencil
Sprinter 3-t Bus (903)										
314	02.95 - 05.06	105	2295	4	M 111.984	CL604	2	CP004	2	semidirect / coil with COP boot
						CL606	2	CP004	2	semidirect / coil without COP boot
314 4x4	08.02 - 05.06	105	2295	4	M 111.984	CL606	2	CP004	2	semidirect / pencil
314 NGT	04.00 - 05.06	92	2295	4	M 111.984	CL606	2	CP004	2	semidirect / pencil
Sprinter 3-t Bus (906)										
224	06.06 -	190	3498	6	M 272.979	CL621	6	CP015	6	pencil
Sprinter 3-t Flatbed (903)										
314	02.95 - 05.06	105	2295	4	M 111.984	CL604	2	CP004	2	semidirect / coil with COP boot
						CL606	2	CP004	2	semidirect / coil without COP boot
314 4x4	08.02 - 05.06	105	2295	4	M 111.984	CL606	2	CP004	2	semidirect / pencil
314 NGT	04.00 - 05.06	92	2295	4		CL606	2	CP004	2	semidirect / pencil
Sprinter 3-t Flatbed (906)										
224	06.06 -	190	3498	6	M 272.979	CL621	6	CP015	6	pencil
Sprinter 3-t Van (903)										
314	02.95 - 05.06	105	2295	4	M 111.979/M 111.984	CL604	2	CP004	2	semidirect / coil with COP boot
						CL606	2	CP004	2	semidirect / coil without COP boot
314 4x4	08.02 - 05.06	105	2295	4	M 111.984	CL606	2	CP004	2	semidirect / pencil
314 NGT	04.00 - 05.06	92	2295	4		CL606	2	CP004	2	semidirect / pencil
Sprinter 3-t Van (906)										
224	06.06 -	190	3498	6	M 272.979	CL621	6	CP015	6	pencil
Sprinter 3,5-t Bus (906)										
316	09.08 -	115	1796	4	M 271.951	CL622	4	CP039	4	pencil
324	06.06 -	190	3498	6	M 272.979	CL621	6	CP015	6	pencil
Sprinter 3,5-t Flatbed (906)										
316	09.08 -	115	1796	4	M 271.951	CL622	4	CP039	4	pencil
324	06.06 -	190	3498	6	M 272.979	CL621	6	CP015	6	pencil
Sprinter 3,5-t Van (906)										
316	09.08 -	115	1796	4	M 271.951	CL622	4	CP039	4	pencil
324	06.06 -	190	3498	6	M 272.979	CL621	6	CP015	6	pencil
Sprinter 4-t Bus (904)										
414	02.96 - 05.06	105	2295	4	M 111.979	CL604	2	CP004	2	semidirect / coil with COP boot
						CL606	2	CP004	2	semidirect / coil without COP boot
Sprinter 4-t Flatbed (904)										
414	02.96 - 05.06	105	2295	4	M 111.979	CL604	2	CP004	2	semidirect / coil with COP boot
						CL606	2	CP004	2	semidirect / coil without COP boot
414 4x4	05.97 - 05.06	105	2295	4	M 111.979	CL604	2	CP004	2	semidirect / coil with COP boot
						CL606	2	CP004	2	semidirect / coil without COP boot
Sprinter 4-t Van (904)										
414	02.96 - 05.06	105	2295	4	M 111.979	CL604	2	CP004	2	semidirect / coil with COP boot
						CL606	2	CP004	2	semidirect / coil without COP boot
414 4x4	05.97 - 05.06	105	2295	4	M 111.979	CL604	2	CP004	2	semidirect / coil with COP boot
						CL606	2	CP004	2	semidirect / coil without COP boot
Sprinter 4,6-t Flatbed (906)										
424	06.06 -	190	3498	6	M 272.979	CL621	6	CP015	6	pencil
Sprinter 4,6-t Van (906)										
424	06.06 -	190	3498	6	M 272.979	CL621	6	CP015	6	pencil
Sprinter 5-t Flatbed (906)										
516	09.08 -	115	1796	4	M 271.951	CL622	4	CP039	4	pencil

model	year	kW	cm ³	cyl	engine	coil	pcs	boot	pcs	info
MERCEDES										
◀ Sprinter 5-t Flatbed (906)										
524	06.06 -	190	3498	6	M 272.979	CL621	6	CP015	6	pencil
Sprinter 5-t Van (906)										
524	06.06 -	190	3498	6	M 272.979	CL621	6	CP015	6	pencil
Vaneo (414)										
1.6	02.02 - 07.05	60	1598	4	M 166.961	CL610	1			rail coil
1.6	02.02 - 07.05	75	1598	4	M 166.961	CL610	1			rail coil
1.9	02.02 - 07.05	92	1898	4	M 166.991	CL610	1			rail coil
V-Class (638/2)										
V 200	02.97 - 07.03	95	1998	4	M 111.948/M 111.950	CL604	2	CP004	2	semidirect / coil with COP boot
						CL606	2	CP004	2	semidirect / coil without COP boot
V 230	10.96 - 07.03	105	2295	4	M 111.978	CL604	2	CP004	2	semidirect / coil with COP boot
						CL606	2	CP004	2	semidirect / coil without COP boot
V 280	08.97 - 07.03	128	2792	6	M 104.900	CL021	1			
Viano (W639)										
3.0	09.03 -	140	3199	6	M 112.951	CL605	3			twin coil
3.2	09.03 -	160	3199	6	M 112.951	CL605	3			twin coil
3.7	06.04 -	170	3724	6	M 112.976	CL605	3			twin coil
Vito / Mixto Van (W639)										
119	09.03 -	140	3199	6	M 112.951	CL605	3			twin coil
122	09.03 -	160	3199	6	M 112.951	CL605	3			twin coil
126	09.07 -	190	3498	6	M 272.978	CL621	6	CP015	6	pencil
Vito Bus (638)										
113 2.0	02.96 - 07.03	95	1998	4	M 111.948/M 111.950	CL604	2	CP004	2	semidirect / coil with COP boot
						CL606	2	CP004	2	semidirect / coil without COP boot
114 2.3	12.96 - 07.03	105	2295	4	M 111.978	CL604	2	CP004	2	semidirect / coil with COP boot
						CL606	2	CP004	2	semidirect / coil without COP boot
Vito Bus (W639)										
119	09.03 -	140	3199	6	M 112.951	CL605	3			twin coil
122	09.03 -	160	3199	6	M 112.951	CL605	3			twin coil
123	06.04 -	170	3724	6	M 112.976	CL605	3			twin coil
126	09.07 -	190	3498	6	M 272.978	CL621	6	CP015	6	pencil
Vito Van (638)										
113 2.0	03.97 - 07.03	95	1998	4	M 111.948/M 111.950	CL604	2	CP004	2	semidirect / coil with COP boot
						CL606	2	CP004	2	semidirect / coil without COP boot
114 2.3	03.97 - 07.03	105	2295	4	M 111.978	CL604	2	CP004	2	semidirect / coil with COP boot
						CL606	2	CP004	2	semidirect / coil without COP boot
MG										
MG TF										
115	03.02 - 12.09	85	1588	4	16 K4F	CL700	1			with distributor
						CL711	2			semidirect / pencil
120	03.02 - 12.09	88	1796	4	18 K4F	CL700	1			with distributor
						CL711	2			semidirect / pencil
135	03.02 - 12.09	100	1796	4	18 K4F	CL700	1			with distributor
						CL711	2			semidirect / pencil
160	03.02 - 12.09	118	1796	4	18 K4K	CL708	2			semidirect / pencil
MG ZR										
105	06.01 - 04.05	76	1396	4	14 K4F	CL700	1			with distributor
						CL711	2			semidirect / pencil
120	06.01 - 04.05	86	1796	4	18 K4F	CL700	1			with distributor
						CL711	2			semidirect / pencil
160	06.01 - 04.05	118	1796	4	18 K4K	CL708	2			semidirect / pencil
MG ZS										
120	07.01 - 04.05	86	1796	4	18 K4F	CL711	2			semidirect / pencil
MG ZS Hatchback										
120	07.01 - 10.05	86	1796	4	18 K4F	CL711	2			semidirect / pencil
MG ZT										
160	06.01 - 07.05	118	2497	6	25 K4F	CL702	6			pencil
180	01.03 - 07.05	130	2497	6	25 K4F	CL702	6			pencil
190	06.01 - 07.05	140	2497	6	25 K4F	CL702	6			pencil
MG ZT-T										
160	10.01 - 07.05	118	2497	6	25 K4F	CL702	6			pencil
180	01.03 - 07.05	130	2497	6	25 K4F	CL702	6			pencil
190	10.01 - 07.05	140	2497	6	25 K4F	CL702	6			pencil
MGF (RD)										
1.8 i 16V	03.95 - 03.02	88	1796	4	18 K4F	CL700	1			with distributor
						CL711	2			semidirect / pencil
1.8 i VVC	03.95 - 03.02	107	1796	4	18 K4K	CL708	2			semidirect / pencil
1.8 i VVC	10.01 - 03.02	118	1796	4	18 K4K	CL708	2			semidirect / pencil
MINI										
Mini (R50, R53)										
1.4	04.03 - 09.06	55	1398	4		CL706	1			

model	year	kW	cm ³	cyl	engine	coil	pcs	boot	pcs	info
MINI										
Mini (R50, R53)										
1.6 Cooper	06.01 - 09.06	85	1598	4	W10 B16 A	CL706	1			
1.6 Cooper S	03.02 - 09.06	120	1598	4	W11 B16 A	CL706	1			
1.6 Cooper S	07.04 - 09.06	125	1598	4	W11 B16 A	CL706	1			
1.6 John Cooper Works	03.06 - 09.06	160	1598	4	W11 B16 A	CL603	4			pencil
1.6 One	06.01 - 09.06	66	1598	4	W10 B16 A	CL706	1			
1.6 Works	11.03 - 09.06	155	1598	4	W11 B16 A	CL706	1			
Mini (R56)										
1.4 One	11.06 - 03.10	70	1397	4	N12 B14 A	CL603	4			pencil
1.4 One	03.09 - 03.10	55	1397	4	N12 B14 A	CL603	4			pencil
1.6 Cooper	10.06 - 02.12	88	1598	4	N12 B16 A	CL603	4			pencil
1.6 Cooper	09.09 - 11.13	90	1598	4	N16 B16 A	CL603	4			pencil
1.6 John Cooper Works	03.08 - 11.13	155	1598	4	N14 B16 C	CL603	4			pencil
1.6 One	03.10 - 11.13	55	1598	4	N16 B16 A	CL603	4			pencil
1.6 One	03.10 - 11.13	72	1598	4	N16 B16 A	CL603	4			pencil
Mini (F55)										
1.5 Cooper	07.14 -	100	1499	3	B38 A15 A	CL626	3			pencil
2.0 Cooper S	07.14 -	141	1998	4	B46 A20 A/B48 A20 A	CL626	4			pencil
Mini (F56)										
1.2 One	03.14 -	75	1198	3	B38 A12 A	CL626	3			pencil
1.2 One First	06.14 -	55	1198	3	B38 A12 A	CL626	3			pencil
1.5 Cooper	12.13 -	100	1499	3	B38 A15 A	CL626	3			pencil
2.0 Cooper S	12.13 -	141	1998	4	B46 A20 A/B48 A20 A	CL626	4			pencil
Mini Cabriolet (R52)										
1.6 Cooper	07.04 - 11.07	85	1598	4	W10 B16 A	CL706	1			
1.6 Cooper S	07.04 - 11.07	125	1598	4	W11 B16 A	CL706	1			
1.6 John Cooper Works	07.04 - 11.07	155	1598	4	W11 B16 A	CL706	1			
1.6 One	07.04 - 11.07	66	1598	4	W10 B16 A	CL706	1			
Mini Cabriolet (R57)										
1.6 Cooper	03.09 -	88	1598	4	N12 B16 A	CL603	4			pencil
1.6 Cooper	03.10 -	90	1598	4	N16 B16 A	CL603	4			pencil
1.6 Cooper S	03.09 -	128	1598	4	N14 B16 A	CL603	4			pencil
1.6 John Cooper Works	03.08 -	155	1598	4	N14 B16 C	CL603	4			pencil
1.6 One	03.10 -	72	1598	4	N16 B16 A	CL603	4			pencil
Mini Clubman (R55)										
1.6 Cooper	10.07 - 12.13	88	1598	4	N16 B16 A/N12 B16 A	CL603	4			pencil
1.6 Cooper	03.10 -	90	1598	4	N16 B16 A	CL603	4			pencil
1.6 Cooper S	10.07 - 02.10	128	1598	4	N14 B16 A	CL603	4			pencil
1.6 One	03.10 -	72	1598	4	N16 B16 A	CL603	4			pencil
Mini Countryman (R60)										
1.6 Cooper	06.10 -	90	1598	4	N16 B16 A	CL603	4			pencil
1.6 One	06.10 -	72	1598	4	N16 B16 A	CL603	4			pencil
MITSUBISHI										
ASX (GA_W_)										
1.6	05.10 -	85	1590	4	4A92	CL929	4			pencil
1.6	06.10 -	86	1590	4	4A92	CL929	4			pencil
1.8	02.10 -	102	1798	4	4B10	CL927	4			pencil
Carisma (DA_)										
1.6	05.96 - 06.06	66	1597	4	4G92	CL547	2	CP016	2	semidirect / pencil
1.6	01.00 - 06.06	70	1597	4	4G92	CL547	2	CP016	2	semidirect / pencil
1.6	05.97 - 06.06	73	1597	4	4G92	CL547	2	CP016	2	semidirect / pencil
1.6	09.00 - 06.06	76	1597	4	4G92	CL547	2	CP016	2	semidirect / pencil
1.8	05.96 - 06.06	85	1834	4	4G93	CL547	2	CP016	2	semidirect / pencil
1.8 GDI	10.00 - 06.06	90	1834	4	4G93 (GDI)	CL549	4			pencil
1.8 16V	07.95 - 06.06	103	1834	4	4G93	CL547	2	CP016	2	semidirect / pencil
						CL549	4			pencil
1.8 16V GDI	09.97 - 06.06	92	1834	4	4G93 (GDI)	CL549	4			pencil
Carisma Sedan (DA_)										
1.3	09.00 - 10.04	55	1298	4	4G13 (12V)	CL547	2	CP016	2	semidirect / pencil
1.6	09.96 - 06.06	66	1597	4	4G92	CL547	2	CP016	2	semidirect / pencil
1.6	01.00 - 06.06	70	1597	4	4G92	CL547	2	CP016	2	semidirect / pencil
1.6	05.97 - 06.06	73	1597	4	4G92	CL547	2	CP016	2	semidirect / pencil
1.6	09.00 - 06.06	76	1597	4	4G92	CL547	2	CP016	2	semidirect / pencil
1.8	09.96 - 06.06	85	1834	4	4G93	CL547	2	CP016	2	semidirect / pencil
1.8 GDI	10.00 - 06.06	90	1834	4	4G93 (GDI)	CL549	4			pencil
1.8 16V GDI	09.97 - 06.06	92	1834	4	4G93 (GDI)	CL549	4			pencil
Colt III (C5_A)										
1.5 cat	07.90 - 05.92	66	1468	4	4G15 (12V)	CL508	1			
1.5 GLXi	04.88 - 05.92	62	1468	4	4G15	CL508	1			
1.6 GTi 16V	04.88 - 05.90	91	1596	4	4G61	CL526	1			
Colt IV (CA_A)										
1.6	03.96 - 04.96	66	1597	4	4G92	CL547	2	CP016	2	semidirect / pencil

model	year	kW	cm ³	cyl	engine	coil	pcs	boot	pcs	info
MITSUBISHI										
Colt V (CJ_, CP_)										
1300	09.00 - 09.03	60	1299	4	4G13 (16V)	CL547	2	CP016	2	semidirect / pencil
1300 GL,GLX	05.96 - 09.00	55	1299	4	4G13 (12V)	CL502	1			
1600	09.00 - 09.03	76	1597	4	4G92	CL547	2	CP016	2	semidirect / pencil
1600 GLX	05.96 - 09.00	66	1597	4	4G92	CL547	2	CP016	2	semidirect / pencil
Colt VI (Z3_A, Z2_A)										
1.1	10.04 - 06.12	55	1124	3	3A91	CL597	3			pencil
1.3	06.04 - 06.12	70	1332	4	4A90	CL597	4			pencil
1.5	06.04 - 06.12	80	1499	4	4A91	CL597	4			pencil
Colt CZC Cabriolet (RG)										
1.5	05.06 - 07.09	80	1499	4	4A91	CL597	4			pencil
Eclipse I (D2_A)										
1.8	12.89 - 03.94	68	1755	4	4G37	CL508	1			
2.0 i 16V	04.91 - 11.95	110	1997	4	4G63 (DOHC 16V)	CL562	2			twin coil
2.0 i 16V 4WD	04.91 - 11.95	110	1997	4	4G63 (DOHC 16V)	CL562	2			twin coil
Galant III (E1_A)										
2.0 Turbo ECI	06.84 - 04.90	110	1997	4	4G63 T (SOHC 8V)	CL508	1			
Galant IV (E3_A)										
2.0	04.89 - 10.92	80	1997	4	4G63 (SOHC 8V)	CL508	1			1 st coil type
						CL525	1			2 nd coil type
2.0 4WD	04.89 - 10.92	80	1997	4	4G63 (SOHC 8V)	CL508	1			1 st coil type
						CL525	1			2 nd coil type
2.0 GTI 16V	11.88 - 10.92	106	1997	4	4G63 (DOHC 16V)	CL526	1			
2.0 GTI 16V	11.88 - 10.92	107	1997	4	4G63 (DOHC 16V)	CL526	1			
2.0 GTI 16V 4x4	07.89 - 12.92	106	1997	4	4G63 (DOHC 16V)	CL526	1			
Galant IV Sedan (E3_A)										
1.8	11.87 - 10.92	66	1755	4	4G37	CL562	2			twin coil
2.0	11.87 - 10.92	80	1997	4	4G63 (SOHC 8V)	CL508	1			with distributor / 1 st coil type
						CL525	1			with distributor / 2 nd coil type
						CL562	2			without distributor / twin coil
2.0 4WD	12.88 - 10.92	80	1997	4	4G63 (SOHC 8V)	CL508	1			with distributor / 1 st coil type
						CL525	1			with distributor / 2 nd coil type
2.0 GTI 16V	11.87 - 10.92	106	1997	4	4G63 (DOHC 16V)	CL508	1			with distributor
						CL526	1			without distributor / coil 4xDIN
						CL562	2			without distributor / coil 2xDIN
2.0 GTI 16V	11.88 - 10.92	107	1997	4	4G63 (DOHC 16V)	CL526	1			coil 4xDIN
						CL562	2			coil 2xDIN
2.0 GTi 16V 4WD	06.88 - 10.92	106	1997	4	4G63 (DOHC 16V)	CL508	1			with distributor
						CL526	1			without distributor / coil 4xDIN
						CL562	2			without distributor / coil 2xDIN
2.0 GTI 16V 4WD cat	09.91 - 10.92	110	1997	4	4G63 (DOHC 16V)	CL508	1			
Galant VI (EA_)										
2.0	09.00 - 10.04	98	1997	4	4G63 (SOHC 16V)	CL547	2	CP016	2	semidirect / pencil
2.0	09.96 - 09.00	100	1997	4	4G63 (SOHC 16V)	CL547	2	CP016	2	semidirect / pencil
2.4 GDI	09.00 - 10.04	106	2351	4	4G64 (GDI)	CL547	2	CP016	2	semidirect / pencil
2.4 GDI	02.99 - 09.00	110	2351	4	4G64 (GDI)	CL547	2	CP016	2	semidirect / pencil
Galant VI Station Wagon (EA_)										
2.0	09.96 - 09.00	100	1997	4	4G63 (SOHC 16V)	CL547	2	CP016	2	semidirect / pencil
2.0	09.00 - 10.03	98	1997	4	4G63 (SOHC 16V)	CL547	2	CP016	2	semidirect / pencil
2.4 GDI	09.00 - 10.03	106	2351	4	4G64 (GDI)	CL547	2	CP016	2	semidirect / pencil
2.4 GDI	02.99 - 10.03	110	2351	4	4G64 (GDI)	CL547	2	CP016	2	semidirect / pencil
Galant Sedan (DJ_, ED_, EF_)										
2.4	10.03 -	116	2378	4	4G69	CL930	4			pencil
Grandis (NA_W)										
2.4	04.04 -	121	2378	4	4G69	CL930	4			pencil
L 300 Bus (P0_W, P1_W, P2_W)										
2.0 4WD	12.86 -	65	1997	4	4G63 (SOHC 8V)	CL907	1			
2.0 4WD	11.86 -	66	1997	4	4G63 (SOHC 8V)	CL907	1			
2.4	11.90 -	82	2351	4	4G64 (8V)	CL508	1			
2.4 4WD	11.90 -	82	2351	4	4G64 (8V)	CL508	1			
L 300 Flatbed (P1_T)										
2.0	07.94 - 04.00	85	1997	4	4G63 (DOHC 16V)	CL907	1			
Lancer III Station Wagon (C1_V, C3_V)										
1.5	09.85 - 12.87	55	1468	4	4G15	CL508	1			
1.5	09.88 - 12.90	61	1468	4	4G15	CL508	1			
1.5 12V	09.90 - 12.91	66	1468	4	4G15 (12V)	CL508	1			
1.8 4WD	08.90 - 06.92	69	1755	4	4G37	CL508	1			
Lancer IV (C6_A, C7_A)										
1.5	06.88 - 05.92	62	1468	4	4G15	CL508	1			
1.5 12V	05.89 - 05.92	66	1468	4	4G15 (12V)	CL508	1			
1.6 16V	06.92 - 05.94	83	1597	4	4G92	CL562	2			twin coil
1.6 4WD	06.92 - 11.93	84	1597	4	4G92	CL562	2			twin coil

model	year	kW	cm ³	cyl	engine	coil	pcs	boot	pcs	info
MITSUBISHI										
Lancer IV (C6_A, C7_A)										
1.8 4WD	09.89 - 06.92	71	1755	4	4G37	CL508	1			
Lancer IV Sedan (C6_A)										
1.5	04.88 - 05.92	62	1468	4	4G15 (12V)/4G15	CL508	1			
1.5 12V	05.89 - 05.92	66	1468	4	4G15 (12V)	CL508	1			
Lancer VI (CJ-CP_)										
1.3 12V	12.95 - 08.03	55	1299	4	4G13 (12V)	CL502	1			
1.5 16V	12.95 - 08.03	69	1468	4	4G15 (16V)	CL502	1			
1.6 16V	12.95 - 08.03	66	1597	4	4G92	CL547	2	CP016	2	semidirect / pencil
2.0 16V EVO	08.98 - 08.01	206	1997	4	4G63 Turbo	CL582	2			semidirect / pencil
Lancer Combi (CS_W)										
1.6	09.03 - 10.08	72	1584	4	4G18	CL931	2			semidirect / pencil
2.0	09.03 - 12.07	99	1997	4	4G63 (DOHC 16V)	CL547	2	CP016	2	semidirect / pencil
Lancer Sedan (CS_A, CT0)										
1.3	09.03 -	60	1299	4	4G13 (16V)	CL931	2			semidirect / pencil
1.6	09.03 -	72	1584	4	4G18	CL931	2			semidirect / pencil
2.0	12.03 -	99	1997	4	4G63 (DOHC 16V)	CL547	2	CP016	2	semidirect / pencil
2.0 16V EVO VIII	03.04 -	195	1997	4	4G63 Turbo	CL582	2			semidirect / pencil
2.0 16V EVO IX	01.06 -	206	1997	4	4G63 Turbo	CL582	2			semidirect / pencil
Lancer Sedan (CY/Z_A)										
1.5	06.08 -	80	1499	4	4A91	CL929	4			pencil
1.5 BiFuel	02.10 -	80	1499	4	4A91	CL929	4			pencil
1.6	05.10 -	86	1590	4	4A92	CL929	4			pencil
1.8	05.10 -	103	1798	4	4B10	CL927	4			pencil
1.8	02.08 -	105	1798	4	4B10	CL927	4			pencil
1.8 BiFuel	02.10 -	105	1798	4	4B10	CL927	4			pencil
2.0 EVO 4WD	06.08 -	217	1998	4	4B11 T/C	CL925	4			pencil
Lancer Sportback (CX_A)										
1.5	06.08 -	80	1499	4	4A91	CL929	4			pencil
1.5 BiFuel	03.10 -	80	1499	4	4A91	CL929	4			pencil
1.6	05.10 -	86	1590	4	4A92	CL929	4			pencil
1.8	03.09 -	103	1798	4	4B10	CL927	4			pencil
1.8	06.08 -	105	1798	4	4B10	CL927	4			pencil
1.8 BiFuel	02.10 -	105	1798	4	4B10	CL927	4			pencil
1.8 Flex	03.09 -	103	1798	4	4B10	CL927	4			pencil
2.0 Ralliart 4WD	10.08 -	177	1998	4	4B11 T/C	CL925	4			pencil
Outlander I (CU_W)										
2.0	05.03 - 10.06	100	1997	4	4G63 (DOHC 16V)	CL582	2			semidirect / pencil
2.0 4WD	05.03 - 10.06	93	1997	4	4G63 (DOHC 16V)	CL582	2			semidirect / pencil
2.0 4WD	05.03 - 10.06	100	1997	4	4G63 (DOHC 16V)	CL582	2			semidirect / pencil
2.0 4WD	01.02 - 10.06	177	1997	4	4G63 Turbo	CL582	2			semidirect / pencil
2.0 Turbo 4WD	04.04 - 10.06	148	1997	4	4G63 T (DOHC 16V)	CL582	2			semidirect / pencil
2.4 4WD	05.03 - 10.06	102	2351	4	4G64 (SOHC 16V)	CL547	2	CP016	2	semidirect / pencil
2.4 4WD	11.03 - 10.06	118	2378	4	4G69	CL930	4			pencil
2.4 4WD	05.03 - 10.06	119	2378	4	4G69	CL930	4			pencil
Outlander II (CW_W)										
2.0	11.06 - 11.12	108	1998	4	4B11	CL927	4			pencil
2.4 4WD	09.07 - 11.12	125	2360	4	4B12	CL927	4			pencil
Pajero I (L04_G, L14_G)										
3.0 V6	11.88 - 11.90	104	2972	6	6G72 (SOHC 12V)	CL543	1			
Pajero I Canvas Top (L04_G)										
2.6	01.83 - 11.90	76	2555	4	4G54	CL543	1			
Pajero II (V3_W, V2_W, V4_W)										
2.4	04.91 - 10.99	82	2351	4	4G64 (12V)	CL508	1			1 st coil type
						CL558	1			2 nd coil type
3.0 V6 24V	06.97 - 10.99	130	2972	6	6G72 (SOHC 24V)	CL598	2			coil 2xDIN / for cyl 1-2, 4-5
						CL928	1			coil 2xDIN / for cyl 3-6
3.0 V6 24V	06.94 - 05.97	133	2972	6	6G72 (SOHC 24V)	CL598	2			coil 2xDIN / for cyl 1-2, 4-5
						CL928	1			coil 2xDIN / for cyl 3-6
3.0 V6 4WD	12.90 - 12.95	110	2972	6	6G72 (SOHC 12V)	CL543	1			
3.5 V6 24V	07.97 - 10.99	143	3497	6	6G74 (SOHC 24V)	CL598	2			coil 2xDIN / for cyl 1-2, 4-5
						CL928	1			coil 2xDIN / for cyl 3-6
3.5 V6 24V	06.97 - 10.99	153	3497	6	6G74 (SOHC 24V)	CL598	2			coil 2xDIN / for cyl 1-2, 4-5
						CL928	1			coil 2xDIN / for cyl 3-6
Pajero II Canvas Top (V2_W, V4_W)										
1.8 GDI	06.98 - 04.00	96	1834	4	4G93 (GDI)	CL547	2	CP016	2	semidirect / pencil
2.4	04.91 - 04.00	82	2351	4	4G64 (12V)	CL508	1			1 st coil type
						CL558	1			2 nd coil type
3.0 V6	12.90 - 12.95	110	2972	6	6G72 (SOHC 12V)	CL543	1			
3.0 V6 24V	06.94 - 04.00	133	2972	6	6G72 (SOHC 24V)	CL598	2			coil 2xDIN / for cyl 1-2, 4-5
						CL928	1			coil 2xDIN / for cyl 3-6

model	year	kW	cm ³	cyl	engine	coil	pcs	boot	pcs	info
MITSUBISHI										
Pajero Pinin (H6_W, H7_W)										
1.8	11.01 - 06.07	84	1834	4	4G93	CL547	2	CP016	2	semidirect / pencil
						CL549	4			pencil
1.8 GDI	10.99 - 06.07	88	1834	4	4G93 (GDI)	CL547	2	CP016	2	semidirect / pencil
						CL549	4			pencil
2.0 GDI	10.00 - 06.07	95	1999	4	4G94 (GDI)	CL549	4			pencil
Pajero Sport (K90)										
3.0 V6	11.98 -	130	2972	6	6G72 (SOHC 24V)	CL598	2			coil 2xDIN / for cyl 1-2, 4-5
						CL928	1			coil 2xDIN / for cyl 3-6
3.0 V6	06.00 -	125	2972	6	6G72 (SOHC 24V)	CL598	2			coil 2xDIN / for cyl 1-2, 4-5
						CL928	1			coil 2xDIN / for cyl 3-6
Santamo										
2.0 16V	05.99 - 12.04	102	1997	4	4G63 (DOHC 16V)	CL532	1			
2.0 16V 4WD	05.99 - 12.04	102	1997	4	4G63 (DOHC 16V)	CL532	1			
Sapporo III (E16A)										
2.4	06.87 - 08.90	91	2351	4	4G64 (8V)	CL525	1			
Sigma (F2_A, F1_A)										
3.0 V6	12.90 - 07.96	130	2972	6	6G72 (SOHC 12V)	CL558	1			
3.0 V6	12.90 - 07.96	151	2972	6	6G72 (DOHC 24V)	CL558	1			
Sigma Station Wagon (F0_W)										
3.0	06.92 - 10.96	125	2972	6	6G72 (SOHC 12V)	CL558	1			
Space Runner (N6_W)										
2.0	08.99 - 08.02	100	1997	4	4G63 (DOHC 16V)	CL547	2	CP016	2	semidirect / pencil
Space Star (DG_A)										
1.3 16V	09.00 - 12.04	60	1299	4	4G13 (16V)	CL931	2			semidirect / pencil
1.3 16V	12.98 - 12.04	61	1299	4	4G13 (16V)	CL931	2			semidirect / pencil
1.3 16V	06.98 - 12.04	63	1299	4	4G13 (16V)	CL931	2			semidirect / pencil
1.6 16V	01.01 - 12.04	72	1584	4	4G18	CL931	2			semidirect / pencil
1.8 GDI	06.98 - 12.04	87	1834	4	4G93 (GDI)	CL547	2	CP016	2	semidirect / pencil
						CL549	4			pencil
1.8 GDI	06.98 - 12.04	90	1834	4	4G93 (GDI)	CL547	2	CP016	2	semidirect / pencil
						CL549	4			pencil
1.8 MPI	10.02 - 12.04	82	1834	4	4G93	CL547	2	CP016	2	semidirect / pencil
Space Wagon (N3_W, N4_W)										
2.0	10.92 - 10.98	98	1997	4	4G63 (DOHC 16V)	CL547	2	CP016	2	semidirect / pencil
2.0 4WD	10.92 - 10.98	98	1997	4	4G63 (DOHC 16V)	CL547	2	CP016	2	semidirect / pencil
Space Wagon (N9_W, N8_W)										
2.0 GDI	10.98 - 12.04	98	1997	4	4G63 (SOHC 16V)	CL547	2	CP016	2	semidirect / pencil
2.4 GDI	10.98 - 12.04	110	2351	4	4G64 (GDI)	CL547	2	CP016	2	semidirect / pencil
2.4 GDI	09.00 - 12.04	108	2351	4	4G64 (GDI)	CL547	2	CP016	2	semidirect / pencil
2.4 GDI 4WD	10.98 - 12.04	110	2351	4	4G64 (GDI)	CL547	2	CP016	2	semidirect / pencil
2.4 GDI 4WD	09.00 - 12.04	108	2351	4	4G64 (GDI)	CL547	2	CP016	2	semidirect / pencil
NISSAN										
100 NX (B13)										
1.6	03.90 - 06.92	66	1597	4	GA16DS	CL509	1			
1.6 SR	09.93 - 10.94	75	1597	4	GA16DE	CL509	1			
2.0	10.90 - 10.94	110	1998	4	SR20DE	CL509	1			
2.0 GTI	03.91 - 10.94	105	1998	4	SR20DE	CL509	1			
200 SX (S14)										
2.0 i 16V Turbo	10.93 - 12.99	147	1998	4	SR20DET	CL509	1			
Almera II (N16)										
1.5	07.00 -	66	1498	4	QG15DE	CL510	4			1 st pencil
						CL511	4	CP049	4	2 nd pencil
1.5	10.02 -	72	1497	4	QG15DE	CL510	4			1 st pencil
						CL511	4	CP049	4	2 nd pencil
1.8	07.00 -	84	1769	4	QG18DE	CL510	4			1 st pencil
						CL511	4	CP049	4	2 nd pencil
1.8	10.02 -	85	1769	4	QG18DE	CL510	4			1 st pencil
						CL511	4	CP049	4	2 nd pencil
Almera II Hatchback (N16)										
1.5	03.00 -	66	1498	4	QG15DE	CL511	4	CP049	4	pencil
1.5	10.02 -	72	1497	4	QG15DE	CL511	4	CP049	4	pencil
1.8	01.00 -	84	1769	4	QG18DE	CL511	4	CP049	4	pencil
1.8	10.02 -	85	1769	4	QG18DE	CL511	4	CP049	4	pencil
Almera Tino (V10)										
1.8	08.00 -	84	1769	4	QG18DE	CL510	4			1 st pencil
						CL511	4	CP049	4	2 nd pencil
1.8	12.02 -	85	1769	4	QG18DE	CL510	4			1 st pencil
						CL511	4	CP049	4	2 nd pencil
Bluebird (T72, T12)										
1.8 Turbo	12.85 - 05.90	99	1809	4	CA18T	CL558	1			

model	year	kW	cm ³	cyl	engine	coil	pcs	boot	pcs	info
NISSAN										
Bluebird (U11)										
1.8 Turbo	04.84 - 05.90	99	1809	4	CA18T	CL558	1			
Bluebird Hatchback (T72, T12)										
1.8 Turbo	12.85 - 11.92	99	1809	4	CA18T	CL558	1			
Cube (Z12)										
1.6 16V	03.10 -	81	1598	4	HR16DE	CL554	4	CP050	4	pencil
Juke (F15)										
1.6	01.13 -	69	1598	4	HR16DE	CL911	4	CP019	4	pencil
1.6	06.10 -	86	1598	4	HR16DE	CL912	4			pencil
1.6 DIG-T	06.10 -	140	1618	4	MR16DDT	CL900	4			pencil
1.6 DIG-T 4x4	06.10 -	140	1618	4	MR16DDT	CL900	4			pencil
1.6 DIG-T Nismo	11.12 -	147	1618	4	MR16DDT	CL900	4			pencil
1.6 DIG-T Nismo 4x4	02.13 -	147	1618	4	MR16DDT	CL900	4			pencil
Kubistar (X76)										
1.2	08.03 - 10.09	44	1149	4	D7F 764	CL116	1			
1.2 16V	04.06 - 10.09	55	1149	4	D4F 712	CL116	1			
1.6 16V	08.03 - 10.09	70	1598	4	K4M 752	CL100	4			pencil
Kubistar Van (X80)										
1.2	08.03 -	44	1149	4	D7F 764	CL116	1			
1.2 16V	04.06 -	55	1149	4	D4F 712	CL116	1			
1.6 16V	08.03 -	70	1598	4	K4M 752	CL100	4			pencil
Maxima II (J30)										
3.0 i	10.88 - 06.94	125	2960	6	VG30E	CL509	1			with distributor
						CL537	3	CP020	3	pencil / right side
						CL538	3	CP022	3	pencil / left side
								CP023	3	Mitsubishi system right
								CP024	3	Mitsubishi system left
Maxima QX (A32)										
2.0	02.95 - 08.00	103	1995	6	VQ20DE	CL535	3	CP020	3	pencil / right side
			1995	6	VQ20DE	CL536	3	CP021	3	pencil / left side
			1995	6	VQ20DE			CP023	3	Mitsubishi system right
			1995	6	VQ20DE			CP024	3	Mitsubishi system left
2.5 V6 24V	02.95 - 08.00	140	2496	6	VQ25DE	CL535	3	CP020	3	pencil / right side
			2496	6	VQ25DE	CL536	3	CP021	3	pencil / left side
			2496	6	VQ25DE			CP023	3	Mitsubishi system right
			2496	6	VQ25DE			CP024	3	Mitsubishi system left
3.0	01.95 - 08.00	142	2988	6	VQ30DE	CL535	3	CP020	3	pencil / right side
			2988	6	VQ30DE	CL536	3	CP021	3	pencil / left side
			2988	6	VQ30DE			CP023	3	Mitsubishi system right
			2988	6	VQ30DE			CP024	3	Mitsubishi system left
Maxima QX (A33)										
2.0 V6 24V	03.00 - 11.03	103	1995	6	VQ20DE	CL535	3	CP020	3	pencil / right side
						CL536	3	CP021	3	pencil / left side
								CP023	3	Mitsubishi system right
								CP024	3	Mitsubishi system left
2.5 V6 24V	03.00 - 11.03	154	2496	6	VQ25DE	CL535	3	CP020	3	pencil / right side
						CL536	3	CP021	3	pencil / left side
								CP023	3	Mitsubishi system right
								CP024	3	Mitsubishi system left
3.0 V6 24V	03.00 - 11.03	147	2988	6	VQ30DE	CL535	3	CP020	3	pencil / right side
						CL536	3	CP021	3	pencil / left side
								CP023	3	Mitsubishi system right
								CP024	3	Mitsubishi system left
Maxima Station Wagon										
2.0 QX	10.97 -	103	1995	6	VQ20DE	CL535	3	CP020	3	pencil / right side
						CL536	3	CP021	3	pencil / left side
								CP023	3	Mitsubishi system right
								CP024	3	Mitsubishi system left
2.5 V6 24V	10.97 -	140	2496	6	VQ25DE	CL535	3	CP020	3	pencil / right side
						CL536	3	CP021	3	pencil / left side
								CP023	3	Mitsubishi system right
								CP024	3	Mitsubishi system left
3.0 QX	10.97 -	142	2988	6	VQ30DE	CL535	3	CP020	3	pencil / right side
						CL536	3	CP021	3	pencil / left side
								CP023	3	Mitsubishi system right
								CP024	3	Mitsubishi system left
Micra I (K10)										
1.2	07.86 - 07.92	40	1235	4	MA12S	CL509	1			
Micra II (K11)										
1.0 i 16V	07.00 - 09.00	40	998	4	CG10DE	CL521	4			pencil
1.0 i 16V	09.00 - 02.03	44	998	4	CG10DE	CL521	4			pencil
1.3 i 16V	08.92 - 09.00	55	1275	4	CG13DE	CL521	4			pencil

model	year	kW	cm ³	cyl	engine	coil	pcs	boot	pcs	info
NISSAN										
Micra II (K11)										
1.4 i 16V	09.00 - 02.03	60	1348	4	CGA3DE	CL521	4			pencil
Micra III (K12)										
1.0 16V	01.03 - 06.10	48	998	4	CG10DE	CL534	4			pencil
1.2 16V	01.03 - 06.10	48	1240	4	CR12DE/CG12DE	CL534	4			pencil
1.2 16V	01.03 - 06.10	59	1240	4	CR12DE/CG12DE	CL534	4			pencil
1.4 16V	01.03 - 06.10	65	1386	4	CR14DE	CL534	4			pencil
1.6 160 SR	05.05 - 06.10	81	1598	4	HR16DE	CL554	4	CP050	4	pencil
Micra IV (K13)										
1.2	05.10 -	59	1198	3	HR12DE	CL911	3	CP019	3	pencil
1.2 DIG	04.11 -	72	1198	3	HR12DDR	CL911	3	CP019	3	pencil
Micra C+C (K12)										
1.4 16V	08.05 -	65	1386	4	CR14DE	CL534	4			pencil
1.6 160 SR	08.05 -	81	1598	4	HR16DE	CL554	4	CP050	4	pencil
Murano (Z50)										
3.5 4x4	08.03 -	172	3498	6	VQ35DE	CL915	6	CP018	6	pencil
Note (E11)										
1.4	03.06 -	65	1386	4	CR14DE	CL534	4			pencil
1.6	03.06 -	81	1598	4	HR16DE	CL554	4	CP050	4	pencil
Note (E12)										
1.2	06.13 -	59	1198	3	HR12DE	CL911	3	CP019	3	pencil
NV200 Evalia										
1.6 16V	07.10 -	81	1598	4	HR16DE	CL912	4			pencil
Pathfinder (R50)										
3.3 V6 4WD	03.98 - 10.00	110	3275	6	VG33E	CL913	5	CP026	5	pencil for cyl 2-3-4-5-6
						CL914	1	CP025	1	pencil for cyl 1
3.3 V6 4WD	09.97 - 12.04	125	3275	6	VG33E	CL913	5	CP026	5	pencil for cyl 2-3-4-5-6
						CL914	1	CP025	1	pencil for cyl 1
3.5 V6 4WD	11.00 - 12.01	162	3498	6	VQ35	CL913	5	CP026	5	year / pencil for cyl 2-3-4-5-6
	11.00 - 12.01	162	3498	6	VQ35	CL914	1	CP025	1	year / pencil for cyl 1
	01.03 - 12.04	162	3498	6	VQ35	CL915	6	CP018	6	year / pencil
Pathfinder (R51)										
4.0 4WD	09.05 -	198	3954	6	VQ40DE	CL915	6	CP018	6	pencil
Pick-Up (D21)										
2.4 i 12V	10.95 - 02.98	91	2389	4	KA24E	CL509	1			
2.4 i 12V 4WD	10.95 - 02.98	93	2389	4	KA24E	CL509	1			
Prairie Pro (M11)										
2.0 i	10.88 - 04.92	72	1974	4	CA20E	CL509	1			
2.0 i 4x4	10.88 - 12.92	72	1974	4	CA20E	CL509	1			
2.4 i	04.92 - 07.94	98	2389	4	KA24E	CL509	1			
2.4 i 4x4	04.92 - 07.94	98	2389	4	KA24E	CL509	1			
Primastar Bus (X83)										
2.0	03.01 -	88	1998	4	F4R 722/F4R 720	CL100	4			pencil
2.0	02.03 -	88	1998	4	F4R 720	CL100	4			pencil
Primera (P10)										
1.6	06.90 - 01.96	66	1597	4	GA16DS	CL509	1			
2.0	06.90 - 04.93	105	1998	4	SR20DE	CL509	1			
2.0 16V	06.90 - 01.96	85	1998	4	SR20DI	CL509	1			
2.0 16V 4x4	04.91 - 06.96	85	1998	4	SR20DI	CL509	1			
2.0 GT	06.90 - 01.96	110	1998	4	SR20DE	CL509	1			
2.0 GT 4x4	03.91 - 04.93	105	1998	4	SR20DE	CL509	1			
2.0 i	01.95 - 06.96	92	1998	4	SR20DE	CL509	1			
Primera (P11)										
1.6 16V	09.00 - 12.01	78	1597	4	QG16DE	CL511	4	CP049	4	pencil
1.8 16V	08.99 - 12.01	84	1769	4	QG18DE	CL511	4	CP049	4	pencil
Primera (P12)										
1.6	03.02 -	78	1597	4	QG16DE	CL511	4	CP049	4	pencil
1.6	01.02 -	80	1597	4	QG16DE	CL511	4	CP049	4	pencil
2.0	03.02 -	103	1998	4	QR20DE	CL592	4	CP019	4	pencil
Primera Combi (WP12)										
1.6 Visia	01.02 -	80	1597	4	QG16DE	CL511	4	CP049	4	pencil
2.0	03.02 -	103	1998	4	QR20DE	CL592	4	CP019	4	pencil
Primera Hatchback (P10)										
1.6	06.90 - 01.96	66	1597	4	GA16DS	CL509	1			
1.6	06.90 - 06.93	71	1597	4	GA16DS	CL509	1			
2.0	06.90 - 04.93	105	1998	4	SR20DE	CL509	1			
2.0	06.90 - 01.96	110	1998	4	SR20DE	CL509	1			
2.0 16V	06.90 - 01.96	85	1998	4	SR20DI	CL509	1			
2.0 16V 4x4	04.91 - 06.96	85	1998	4	SR20DI	CL509	1			
2.0 GT 4x4	03.91 - 04.93	105	1998	4	SR20DE	CL509	1			
2.0 i	01.95 - 06.96	92	1998	4	SR20DE	CL509	1			

model	year	kW	cm ³	cyl	engine	coil	pcs	boot	pcs	info
NISSAN										
Primera Hatchback (P11)										
1.6 16V	09.00 - 07.02	78	1597	4	QG16DE	CL511	4	CP049	4	pencil
1.8 16V	08.99 - 07.02	84	1769	4	QG18DE	CL511	4	CP049	4	pencil
Primera Hatchback (P12)										
1.6	07.02 -	78	1597	4	QG16DE	CL511	4	CP049	4	pencil
1.6	07.02 -	80	1597	4	QG16DE	CL511	4	CP049	4	pencil
1.8	07.02 -	85	1769	4	QG18DE	CL511	4	CP049	4	pencil
2.0	07.02 -	103	1998	4	QR20DE	CL592	4	CP019	4	pencil
Primera Traveller (W10)										
1.6 i	07.90 - 03.98	66	1597	4	GA16DS	CL509	1			
2.0	07.94 - 01.98	110	1998	4	SR20DE	CL509	1			
2.0 i	07.90 - 03.98	85	1998	4	SR20DI	CL509	1			
Primera Traveller (WP11)										
1.8 16V	08.99 - 12.01	84	1769	4	QG18DE	CL511	4	CP049	4	pencil
Pulsar CC (C13)										
1.6 DIG-T	02.15 -	140	1618	4	MR16DDT	CL900	4			pencil
Qashqai / Qashqai +2 (J10, JJ10)										
1.6	02.07 -	84	1598	4	HR16DE	CL554	4	CP050	4	pencil
1.6	11.10 -	86	1598	4	HR16DE	CL911	4	CP019	4	pencil
2.0	02.07 -	104	1997	4	MR20DE	CL911	4	CP019	4	pencil
								CP051	4	for 2 nd coil
2.0 Allrad	02.07 -	104	1997	4	MR20DE	CL911	4	CP019	4	pencil
								CP051	4	for 2 nd coil
Serena (C23M)										
1.6 16V	02.93 - 09.01	71	1597	4	GA16DE	CL509	1			
2.0 16V	11.92 - 09.01	93	1998	4	SR20DE	CL509	1			
Sunny II (N13)										
1.6 i	06.86 - 10.90	54	1597	4	E16i	CL558	1			
1.6 i 4x4	06.86 - 10.90	54	1597	4	E16i	CL558	1			
Sunny II Hatchback (N13)										
1.6 i	06.86 - 10.90	54	1597	4	E16i	CL558	1			
Sunny III (N14)										
1.4 i	10.90 - 05.95	55	1392	4	GA14DS	CL509	1			
1.6 i	10.90 - 05.95	66	1597	4	GA16DS	CL509	1			
1.6 i 16V 4WD	10.90 - 05.95	66	1597	4	GA16DS	CL509	1			
Sunny III Hatchback (N14)										
1.4	10.90 - 06.95	60	1392	4	GA14DS	CL509	1			
1.4 i	10.90 - 05.95	55	1392	4	GA14DS	CL509	1			
1.6 i	10.90 - 05.95	66	1597	4	GA16DS	CL509	1			
2.0 GTI 16V	10.90 - 05.95	105	1998	4	SR20DE	CL509	1			
2.0 GTI-R 4x4	10.90 - 05.95	162	1998	4	SR20DET	CL509	1			
Sunny III Liftback (N14)										
1.4 i	10.90 - 05.95	55	1392	4	GA14DS	CL509	1			
1.6 i	10.90 - 05.95	66	1597	4	GA16DS	CL509	1			
2.0 i 16V	10.90 - 05.95	105	1998	4	SR20DE	CL509	1			
Sunny III Traveller (Y10)										
1.6 16V 4x4	11.90 - 05.95	66	1597	4	GA16DS	CL509	1			
1.6 i	06.91 - 03.00	66	1597	4	GA16DS	CL509	1			
Teana I (J31)										
2.0	10.03 - 06.08	103	1998	4	QR20DE	CL592	4	CP019	4	pencil
Terrano I (WD21)										
3.0 i 4WD	01.90 - 12.95	109	2960	6	VG30E	CL509	1			
Terrano II (R20)										
2.4 i 12V 4WD	02.93 - 06.96	91	2389	4	KA24E	CL509	1			
Tiida CC (C11X)										
1.6	09.07 -	81	1598	4	HR16DE	CL554	4	CP050	4	pencil
1.8	09.07 -	93	1798	4	MR18DE	CL554	4	CP050	4	pencil
Tiida Sedan (SC11X)										
1.6	09.07 -	81	1598	4	HR16DE	CL554	4	CP050	4	pencil
1.8	09.07 -	93	1798	4	MR18DE	CL554	4	CP050	4	pencil
X-Trail (T30)										
2.0	07.01 -	103	1998	4	QR20DE	CL592	4	CP019	4	pencil
2.0 4x4	07.01 -	103	1998	4	QR20DE	CL592	4	CP019	4	pencil
2.5 4x4	09.02 -	121	2488	4	QR25DE	CL592	4	CP019	4	pencil
X-Trail (T31)										
2.0	06.08 -	103	1998	4	MR20DE	CL554	4	CP050	4	pencil
2.0	06.07 -	104	1997	4	MR20DE	CL554	4	CP050	4	pencil
2.0 FWD	06.08 -	103	1998	4	MR20DE	CL554	4	CP050	4	pencil
2.0 FWD	03.07 -	104	1997	4	MR20DE	CL554	4	CP050	4	pencil
2.5 4x4	06.07 -	124	2488	4	QR25DE	CL911	4	CP019	4	1 st pencil / year
	09.07 -	124	2488	4	QR25DE	CL592	4	CP019	4	2 nd pencil / year

model	year	kW	cm ³	cyl	engine	coil	pcs	boot	pcs	info
OPEL (VAUXHALL)										
Adam										
1.0	07.13 -	50	996	3		CL243	3			pencil
1.0	07.14 -	66	999	3	B 10 XFL	CL243	3			pencil
1.0	07.14 -	85	999	3	B 10 XFT	CL243	3			pencil
1.2	10.12 -	51	1229	4	A 12 XEL	CL238	1			rail coil
1.2	07.13 -	69	1242	4		CL238	1			rail coil
1.4	10.12 -	64	1398	4	A 14 XEL	CL238	1			rail coil
1.4	10.12 -	74	1398	4	A 14 XER	CL238	1			rail coil
1.4 LPG	07.13 -	64	1398	4	A 14 XEL	CL238	1			rail coil
Agila (A) (H00)										
1.0	08.03 - 12.07	44	998	3	Z 10 XEP	CL217	1	CP063	3	rail coil
1.0 12V	09.00 - 12.07	43	973	3	Z 10 XE	CL213	1	CP063	3	rail coil
1.2 16V	09.00 - 12.07	55	1199	4	Z 12 XE	CL214	1	CP063	4	rail coil
1.2 16V Twinport	07.04 - 12.07	59	1229	4	Z 12 XEP	CL215	1	CP063	4	rail coil
Agila (B) (H08)										
1.0	07.11 -	50	996	3	K10B	CL236	3			pencil
1.0	04.08 -	48	996	3	K10B	CL236	3			pencil
1.0 LPG	01.10 -	48	996	3	K10B	CL236	3			pencil
1.2	04.08 -	63	1242	4	K12B	CL236	4			pencil
1.2	11.10 -	69	1242	4	K12B	CL236	4			pencil
1.2 LPG	04.08 -	63	1242	4	K12B	CL236	4			pencil
Ampera										
EV 150	11.11 -	111			A 14 XFL	CL238	1			rail coil
Antara										
2.4	09.08 -	103	2405	4	Z 24 XE	CL220	1			
2.4	05.06 -	104	2405	4	Z 24 XED	CL220	1			
2.4	12.10 -	123	2384	4	A 24 XE	CL237	4			pencil
2.4 4x4	12.10 -	123	2384	4	A 24 XE	CL237	4			pencil
3.0	11.10 -	190	2997	6	A 30 XH	CL245	6			pencil
3.2 V6	03.07 -	167	3195	6	Z 32 SEE/10 HM	CL245	6			pencil
Ascona C (81 , 86 , 87 , 88)										
1.3 N	09.81 - 08.86	44	1297	4	13 N	CL205	1			
1.3 S	09.81 - 08.88	55	1297	4	13 S	CL205	1			
1.6	09.81 - 09.87	55	1598	4	16 N	CL205	1			
1.6 i	09.87 - 08.88	55	1598	4	E 16 NZ/E 16 LZ	CL205	1			
1.6 i cat	09.86 - 08.88	55	1598	4	C 16 NZ/C 16 LZ	CL205	1			
Ascona C CC (84 , 89)										
1.3 S	09.81 - 08.88	55	1297	4	13 S	CL205	1			
1.6	09.81 - 08.88	55	1598	4	16 N	CL205	1			
1.6 i	09.87 - 08.88	55	1598	4	E 16 NZ	CL205	1			
1.6 i cat	09.86 - 08.88	55	1598	4	C 16 NZ/C 16 LZ	CL205	1			
Astra F (56 , 57)										
1.4	09.91 - 09.93	55	1389	4	14 NV	CL206	1			
1.4	05.93 - 09.98	60	1389	4	14 SE	CL206	1			with distributor
	11.94 - 09.98	60	1389	4	14 SE	CL200	1			without distributor
1.4 i	09.91 - 09.98	44	1389	4	C 14 NZ/X 14 NZ	CL206	1			
1.4 i 16V	02.96 - 09.98	66	1389	4	X 14 XE	CL200	1			
1.4 Si	03.92 - 09.98	60	1389	4	C 14 SE	CL206	1			with distributor
	11.94 - 09.98	60	1389	4	C 14 SE	CL200	1			without distributor
1.6	09.95 - 09.98	55	1598	4	16 NZR/16 LZ2	CL206	1			
1.6 i	05.93 - 07.96	52	1598	4	X 16 SZ	CL200	1			
1.6 i	03.92 - 09.98	55	1598	4	X 16 SZR	CL200	1			without distributor / engine code
				4	C 16 NZ	CL205	1			with distributor / engine code
1.6 i 16V	08.94 - 09.98	74	1598	4	X 16 XEL	CL200	1			
1.6 Si	05.92 - 12.94	74	1598	4	C 16 SE	CL200	1			
1.8 i	03.92 - 09.98	66	1796	4	C 18 NZ	CL206	1			
1.8 i 16V	11.94 - 09.98	85	1799	4	C 18 XEL/X 18 XE	CL207	1			
1.8 i 16V	09.95 - 08.97	85	1796	4	C 18 SEL	CL207	1			
1.8 i 16V	06.93 - 10.94	92	1799	4	C 18 XE	CL207	1			
2.0 i 16V	02.95 - 09.98	100	1998	4	X 20 XEV	CL207	1			
Astra F Cabriolet (53_B)										
1.4 i 16V	01.96 - 03.01	66	1389	4	X 14 XE	CL200	1			
1.4 Si	05.93 - 03.01	60	1389	4	C 14 SE	CL206	1			with distributor
	11.94 - 03.01	60	1389	4	C 14 SE	CL200	1			without distributor
1.6 i	03.93 - 08.96	52	1598	4	X 16 SZ	CL200	1			
1.6 i	01.96 - 03.01	55	1598	4	X 16 SZR	CL200	1			
1.8 i 16V	11.94 - 03.01	85	1799	4	C 18 XEL/X 18 XE	CL207	1			
Astra F Caravan (51 , 52)										
1.4	09.91 - 09.93	55	1389	4	14 NV	CL206	1			
1.4	09.92 - 01.98	60	1389	4	14 SE	CL200	1			without distributor
						CL206	1			with distributor
1.4 i	09.91 - 01.98	44	1389	4	C 14 NZ	CL206	1			

model	year	kW	cm ³	cyl	engine	coil	pcs	boot	pcs	info
OPEL (VAUXHALL)										
Astra F Caravan (51 , 52)										
1.4i 16V	02.96 - 01.98	66	1389	4	X 14 XE	CL200	1			
1.4 Si	05.93 - 01.98	60	1389	4	C 14 SE	CL206	1			with distributor
	11.94 - 01.98	60	1389	4	C 14 SE	CL200	1			without distributor
1.6	09.95 - 01.98	55	1598	4	16 LZ2/16 NZR	CL200	1			
1.6i	05.93 - 07.96	52	1598	4	X 16 SZ	CL200	1			
1.6i	09.91 - 01.98	55	1598	4	X 16 SZR	CL200	1			PIN
			1598	4	X 16 SZR	CL205	1			SAE
1.6i 16V	08.94 - 01.98	74	1598	4	X 16 XEL	CL200	1			
1.6 Si	03.92 - 12.94	74	1598	4	C 16 SE	CL200	1			
1.8 i	09.91 - 01.98	66	1796	4	C 18 NZ	CL206	1			
1.8i 16V	07.94 - 01.98	85	1799	4	C 18 XEL/X 18 XE	CL207	1			
1.8i 16V	06.93 - 01.98	92	1799	4	C 18 XE	CL207	1			
2.0i 16V	02.95 - 01.98	100	1998	4	X 20 XEV	CL207	1			
2.0i 16V	03.93 - 01.98	110	1998	4	C 20 XE	CL208	1			with distributor
						CL219	1			without distributor
Astra F CC (53 , 54 , 58 , 59)										
1.4	09.91 - 09.93	55	1389	4	14 NV	CL206	1			
1.4	09.92 - 01.98	60	1389	4	14 SE	CL200	1			without distributor
						CL206	1			with distributor
1.4 i	03.92 - 01.98	44	1389	4	C 14 NZ	CL206	1			
1.4i 16V	01.96 - 01.98	66	1389	4	X 14 XE	CL200	1			
1.4 Si	03.92 - 01.98	60	1389	4	C 14 SE	CL200	1			without distributor
						CL206	1			with distributor
1.6	09.95 - 01.98	55	1598	4	16 NZR/16 LZ2	CL206	1			
1.6i	05.93 - 07.96	52	1598	4	X 16 SZ	CL200	1			
1.6i	09.91 - 01.98	55	1598	4	X 16 SZR	CL200	1			without distributor
						CL205	1			with distributor
1.6i 16V	08.94 - 01.98	74	1598	4	X 16 XEL	CL200	1			
1.6 Si	03.92 - 12.94	74	1598	4	C 16 SE	CL200	1			
1.8 i	09.91 - 01.98	66	1796	4	C 18 NZ	CL206	1			
1.8i 16V	09.94 - 01.98	85	1799	4	C 18 XEL/X 18 XE	CL207	1			
1.8i 16V	06.93 - 08.94	92	1799	4	C 18 XE	CL207	1			
2.0 GSI 16V	09.91 - 01.98	110	1998	4	C 20 XE	CL208	1			with distributor
						CL219	1			without distributor
2.0i 16V	02.95 - 01.98	100	1998	4	X 20 XEV	CL207	1			
Astra F Classic Caravan										
1.4i	01.98 - 01.05	44	1389	4	X 14 NZ	CL206	1			
1.6i	01.98 - 01.05	55	1598	4	X 16 SZR	CL200	1			
1.6i 16V	01.98 - 01.05	74	1598	4	X 16 XEL	CL200	1			
Astra F Classic CC										
1.4 i	01.98 - 08.02	44	1389	4	X 14 NZ	CL206	1			
1.6i	01.98 - 08.02	55	1598	4	X 16 SZR	CL200	1			
1.6i 16V	01.98 - 08.02	74	1598	4	X 16 XEL	CL200	1			
Astra F Classic Sedan										
1.4 i	01.98 - 08.02	44	1389	4	X 14 NZ	CL206	1			
1.6i	01.98 - 08.02	55	1598	4	X 16 SZR	CL200	1			
1.6i 16V	01.98 - 08.02	74	1598	4	X 16 XEL	CL200	1			
Astra F Van (55)										
1.4i	10.91 - 01.99	44	1389	4	C 14 NZ	CL206	1			
1.6i	10.91 - 04.93	55	1598	4	C 16 NZ	CL205	1			
1.6i	02.93 - 07.96	52	1598	4	X 16 SZ	CL200	1			
Astra G Cabriolet (F67)										
1.6	01.03 - 10.05	76	1598	4	Z 16 XEP	CL221	1	CP062	4	rail coil
1.6 16V	03.01 - 10.05	74	1598	4	Z 16 XE	CL202	1			rail coil
1.8 16V	03.01 - 10.05	92	1796	4	Z 18 XE	CL203	1	CP060	4	rail coil
2.0 16V Turbo	11.02 - 10.05	147	1998	4	Z 20 LET	CL218	1	CP071	4	rail coil
2.0 OPC	03.02 - 10.05	141	1998	4	Z 20 LET	CL218	1	CP071	4	rail coil
2.2 16V	03.01 - 10.05	108	2198	4	Z 22 SE	CL224	1	CP058	4	rail coil
Astra G Caravan (F35)										
1.2 16V	02.98 - 09.00	48	1199	4	X 12 XE	CL214	1	CP063	4	rail coil
1.2 16V	09.00 - 07.04	55	1199	4	Z 12 XE	CL214	1	CP063	4	rail coil
1.4	09.07 - 12.09	66	1364	4	Z 14 XEP	CL215	1	CP063	4	rail coil
1.4 16V	06.98 - 07.04	66	1389	4	X 14 XE/Z 14 XE	CL200	1			coil 4xPIN
						CL202	1			rail coil
1.6	02.98 - 09.00	55	1598	4	X 16 SZR	CL200	1			
1.6	09.00 - 07.04	62	1598	4	Z 16 SE	CL212	1			
1.6	12.02 - 07.09	76	1598	4	Z 16 XEP	CL221	1	CP062	4	rail coil
1.6 16V	02.98 - 07.04	74	1598	4	Z 16 XE/X 16 XEL	CL202	1			rail coil
1.6 CNG	03.03 - 07.04	71	1598	4	Z 16 YNG	CL202	1			rail coil
1.8 16V	02.98 - 09.00	85	1796	4	X 18 XE1	CL203	1	CP060	4	rail coil
1.8 16V	09.00 - 07.04	92	1796	4	Z 18 XE	CL203	1	CP060	4	rail coil

model	year	kW	cm ³	cyl	engine	coil	pcs	boot	pcs	info
OPEL (VAUXHALL)										
Astra G Caravan (F35)										
2.0 16V	02.98 - 07.04	100	1998	4	X 20 XEV	CL207	1			
2.0 OPC	09.02 - 07.04	141	1998	4	Z 20 LET	CL218	1	CP071	4	rail coil
2.0 OPC	11.02 - 07.04	147	1998	4	Z 20 LET	CL218	1	CP071	4	rail coil
2.2 16V	03.01 - 07.04	108	2198	4	Z 22 SE	CL224	1	CP058	4	rail coil
Astra G CC (F48 , F08)										
1.2 16V	02.98 - 09.00	48	1199	4	X 12 XE	CL214	1	CP063	4	rail coil
1.2 16V	09.00 - 01.05	55	1199	4	Z 12 XE	CL214	1	CP063	4	rail coil
1.4	09.07 - 12.09	66	1364	4	Z 14 XEP	CL215	1	CP063	4	rail coil
1.4 16V	02.98 - 01.05	66	1389	4	X 14 XE/Z 14 XE	CL200	1			coil 4xPIN
						CL202	1			rail coil
1.6	02.98 - 09.00	55	1598	4	X 16 SZR	CL200	1			
1.6	09.00 - 01.05	62	1598	4	Z 16 SE	CL212	1			
1.6	12.02 - 12.09	76	1598	4	Z 16 XEP	CL221	1	CP062	4	rail coil
1.6 16V	02.98 - 01.05	74	1598	4	Z 16 XE/X 16 XEL/C 16 SEL	CL202	1			rail coil
1.8 16V	02.98 - 09.00	85	1796	4	X 18 XE1	CL203	1	CP060	4	rail coil
1.8 16V	09.00 - 01.05	92	1796	4	Z 18 XE	CL203	1	CP060	4	rail coil
2.0 16V	02.98 - 01.05	100	1998	4	X 20 XEV/C 20 SEL	CL207	1			
2.0 16V OPC	11.99 - 09.02	118	1998	4	X 20 XER	CL207	1			
2.0 OPC	09.02 - 01.05	141	1998	4	Z 20 LET	CL218	1	CP071	4	rail coil
2.0 OPC	11.02 - 01.05	147	1998	4	Z 20 LET	CL218	1	CP071	4	rail coil
2.2 16V	06.00 - 01.05	108	2198	4	Z 22 SE	CL224	1	CP058	4	rail coil
Astra G Coupe (F07)										
1.6 16V	03.00 - 05.05	76	1598	4	Z 16 XEP	CL221	1	CP062	4	rail coil
1.8 16V	03.00 - 10.00	85	1796	4	X 18 XE1	CL203	1	CP060	4	rail coil
1.8 16V	09.00 - 05.05	92	1796	4	Z 18 XE	CL203	1	CP060	4	rail coil
2.0 16V Turbo	09.00 - 08.01	140	1998	4	Z 20 LET	CL218	1	CP071	4	rail coil
2.0 16V Turbo	08.01 - 05.05	141	1998	4	Z 20 LET	CL218	1	CP071	4	rail coil
2.0 16V Turbo	11.02 - 05.05	147	1998	4	Z 20 LET	CL218	1	CP071	4	rail coil
2.2 16V	09.00 - 05.05	108	2198	4	Z 22 SE	CL224	1	CP058	4	rail coil
Astra G Sedan (F69)										
1.2 16V	09.98 - 09.00	48	1199	4	X 12 XE	CL214	1	CP063	4	rail coil
1.2 16V	09.00 - 01.05	55	1199	4	Z 12 XE	CL214	1	CP063	4	rail coil
1.4	09.07 - 12.09	66	1364	4	Z 14 XEP	CL215	1	CP063	4	rail coil
1.4 16V	09.98 - 01.05	66	1389	4	X 14 XE/Z 14 XE	CL200	1			coil 4xPIN
						CL202	1			rail coil
1.6	09.98 - 09.00	55	1598	4	X 16 SZR	CL200	1			
1.6	09.00 - 01.05	62	1598	4	Z 16 SE	CL212	1			
1.6	12.02 - 12.09	76	1598	4	Z 16 XEP	CL221	1	CP062	4	rail coil
1.6 16V	09.98 - 01.05	74	1598	4	Z 16 XE/X 16 XEL	CL202	1			rail coil
1.8 16V	09.98 - 09.00	85	1796	4	X 18 XE1	CL203	1	CP060	4	rail coil
1.8 16V	06.00 - 01.05	92	1796	4	Z 18 XE	CL203	1	CP060	4	rail coil
2.0 16V	09.98 - 01.05	100	1998	4	X 20 XEV	CL207	1			
2.2 16V	03.01 - 01.05	108	2198	4	Z 22 SE	CL224	1	CP058	4	rail coil
Astra G Van (F70)										
1.6	01.99 - 09.00	55	1598	4	X 16 SZR	CL200	1			
1.6	09.00 - 04.05	62	1598	4	Z 16 SE	CL212	1			
Astra H (L48)										
1.2	08.05 -	59	1229	4	Z 12 XEP	CL215	1	CP063	4	rail coil
1.4	03.04 -	66	1364	4	Z 14 XEP	CL215	1	CP063	4	rail coil
1.6	03.04 -	77	1598	4	Z 16 XE1/Z 16 XEP	CL221	1	CP062	4	rail coil
1.6	12.06 -	85	1598	4	A 16 XER/Z 16 XER	CL221	1	CP062	4	rail coil
1.6 Turbo	02.07 -	132	1598	4	Z 16 LET	CL221	1	CP062	4	rail coil
1.8	03.04 -	92	1796	4	Z 18 XE	CL203	1	CP060	4	rail coil
1.8	01.06 -	103	1796	4	Z 18 XER/A 18 XER	CL221	1	CP062	4	rail coil
2.0 Turbo	03.04 -	125	1998	4	Z 20 LEL	CL218	1	CP071	4	rail coil
2.0 Turbo	09.04 -	147	1998	4	Z 20 LER	CL218	1	CP071	4	rail coil
2.0 Turbo	03.05 -	177	1998	4	Z 20 LEH	CL218	1	CP071	4	rail coil
Astra H Caravan (L35)										
1.4	08.04 -	55	1364	4	Z 14 XEL	CL215	1	CP063	4	rail coil
1.4	08.04 -	66	1364	4	Z 14 XEP	CL215	1	CP063	4	rail coil
1.4 LPG	08.09 -	66	1364	4	Z 14 XEP	CL215	1	CP063	4	rail coil
1.6	08.04 -	77	1598	4	Z 16 XE1/Z 16 XEP	CL221	1	CP062	4	rail coil
1.6	12.06 -	85	1598	4	A 16 XER/Z 16 XER	CL221	1	CP062	4	rail coil
1.6 Turbo	02.07 -	132	1598	4	Z 16 LET	CL221	1	CP062	4	rail coil
1.8	08.04 -	92	1796	4	Z 18 XE	CL203	1	CP060	4	rail coil
1.8	08.05 -	103	1796	4	Z 18 XER/A 18 XER	CL221	1	CP062	4	rail coil
2.0 Turbo	08.04 -	125	1998	4	Z 20 LEL	CL218	1	CP071	4	rail coil
2.0 Turbo	09.04 -	147	1998	4	Z 20 LER	CL218	1	CP071	4	rail coil
Astra H GTC (L08)										
1.2	08.05 -	59	1229	4	Z 12 XEP	CL215	1	CP063	4	rail coil
1.4	03.05 -	66	1364	4	Z 14 XEP	CL215	1	CP063	4	rail coil



model	year	kW	cm ³	cyl	engine	coil	pcs	boot	pcs	info
OPEL (VAUXHALL)										
Astra H GTC (L08)										
1.6	03.05 -	77	1598	4	Z 16 XE1/Z 16 XEP	CL221	1	CP062	4	rail coil
1.6	12.06 -	85	1598	4	Z 16 XER	CL221	1	CP062	4	rail coil
1.6 Turbo	02.07 -	132	1598	4	Z 16 LET	CL221	1	CP062	4	rail coil
1.8	03.05 -	92	1796	4	Z 18 XE	CL203	1	CP060	4	rail coil
1.8	01.06 -	103	1796	4	Z 18 XER	CL221	1	CP062	4	rail coil
2.0 Turbo	03.05 -	147	1998	4	Z 20 LER	CL218	1	CP071	4	rail coil
2.0 Turbo	03.05 -	125	1998	4	Z 20 LEL	CL218	1	CP071	4	rail coil
2.0 Turbo	08.05 -	177	1998	4	Z 20 LEH	CL218	1	CP071	4	rail coil
Astra H TwinTop (L67)										
1.6	09.05 -	77	1598	4	Z 16 XE1/Z 16 XEP	CL221	1	CP062	4	rail coil
1.6	12.06 -	85	1598	4	Z 16 XER	CL221	1	CP062	4	rail coil
1.6 Turbo	02.07 -	132	1598	4	Z 16 LET	CL221	1	CP062	4	rail coil
1.8	09.05 -	92	1796	4	Z 18 XE	CL203	1	CP060	4	rail coil
1.8	09.05 -	103	1796	4	Z 18 XER/A 18 XER	CL221	1	CP062	4	rail coil
2.0 Turbo	09.05 -	125	1998	4	Z 20 LEL	CL218	1	CP071	4	rail coil
2.0 Turbo	09.05 -	147	1998	4	Z 20 LER	CL218	1	CP071	4	rail coil
Astra J										
1.4	12.09 -	64	1398	4	A 14 XEL	CL238	1			rail coil
1.4	12.09 -	74	1398	4	A 14 XER	CL238	1			rail coil
1.4 LPG	01.12 -	103	1364	4	A 14 NET	CL238	1			rail coil
1.4 Turbo	10.10 -	88	1364	4	A 14 NEL	CL238	1			rail coil
1.4 Turbo	12.09 -	103	1364	4	A 14 NET	CL238	1			rail coil
1.6	12.09 -	85	1598	4	A 16 XER	CL233	1			1 st rail coil / Mot. No. -20SD0231
				4	A 16 XER	CL244	1			2 nd rail coil / Mot. No. 20SD0232-
1.6 SIDI	12.12 -	125	1598	4	A 16 XHT	CL240	4			pencil
1.6 Turbo	12.09 -	132	1598	4	A 16 LET	CL233	1			rail coil
Astra J GTC										
1.4	10.11 -	74	1398	4	A 14 XER	CL238	1			rail coil
1.4	10.11 -	88	1364	4	B 14 NEL/A 14 NEL	CL238	1			rail coil
1.4	10.11 -	103	1364	4	A 14 NET/B 14 NET	CL238	1			rail coil
1.6	10.11 -	132	1598	4	A 16 LET	CL233	1			rail coil
1.6 SIDI	12.12 -	125	1598	4	A 16 XHT	CL240	4			pencil
1.8	10.11 -	103	1796	4	A 18 XER	CL233	1			rail coil
2.0	04.12 -	206	1998	4	A 20 NFT	CL237	4			pencil
Astra J Sedan										
1.4	06.12 -	74	1398	4	A 14 XER	CL238	1			rail coil
1.4 LPG	07.14 -	103	1364	4	A 14 NET	CL238	1			rail coil
1.4 Turbo	06.12 -	103	1364	4	A 14 NET/B 14 NET	CL238	1			rail coil
1.4 Turbo	06.12 -	88	1364	4	A 14 NEL	CL238	1			rail coil
1.6	06.12 -	85	1598	4	A 16 XER	CL233	1			1 st rail coil / Mot. No. -20SD0231
						CL244	1			2 nd rail coil / Mot. No. 20SD0232-
1.6 SIDI	12.12 -	125	1598	4	A 16 XHT	CL240	4			pencil
1.6 Turbo	06.12 -	132	1598	4	A 16 LET	CL233	1			rail coil
Astra J Sports Tourer										
1.4	10.10 -	74	1398	4	A 14 XER	CL238	1			rail coil
1.4 LPG	01.12 -	103	1364	4	A 14 NET	CL238	1			rail coil
1.4 Turbo	10.10 -	88	1364	4	A 14 NEL	CL238	1			rail coil
1.4 Turbo	10.10 -	103	1364	4	A 14 NET/B 14 NET	CL238	1			rail coil
1.6	10.10 -	85	1598	4	A 16 XER	CL233	1			1 st rail coil / Mot. No. -20SD0231
						CL244	1			2 nd rail coil / Mot. No. 20SD0232-
1.6 SIDI	12.12 -	125	1598	4	A 16 XHT	CL240	4			pencil
1.6 Turbo	10.10 -	132	1598	4	A 16 LET	CL233	1			rail coil
Astra K										
1.0	06.15 -	77	999	3	B 10 XFL	CL243	3			pencil
Calibra A (85_)										
2.0 i	06.90 - 07.97	85	1998	4	C 20 NE	CL208	1			
2.0 i 4x4	06.90 - 07.97	85	1998	4	C 20 NE	CL208	1			
2.0 i 16V	02.94 - 07.97	100	1998	4	X 20 XEV	CL207	1			
2.0 i 16V	06.90 - 02.94	110	1998	4	C 20 XE	CL208	1			with distributor
						CL219	1			without distributor
2.0 i 16V 4x4	02.94 - 07.97	100	1998	4	X 20 XEV	CL207	1			
2.0 i 16V 4x4	06.90 - 02.94	110	1998	4	C 20 XE	CL208	1			with distributor
						CL219	1			without distributor
2.5 i V6	04.93 - 07.97	125	2498	6	X 25 XE/C 25 XE	CL210	1			
Cascade (W13)										
1.4	03.13 -	88	1362	4	A 14 NEL	CL238	1			rail coil
1.4 Turbo	03.13 -	103	1362	4	A 14 NET	CL238	1			rail coil
1.6 SIDI	03.13 -	125	1598	4	A 16 XHT	CL240	4			pencil
Combo (71_)										
1.2	07.94 - 10.01	33	1195	4	C 12 NZ/X 12 SZ	CL206	1			
1.4	07.94 - 10.01	44	1389	4	C 14 NZ/X 14 SZ	CL206	1			

model	year	kW	cm ³	cyl	engine	coil	pcs	boot	pcs	info
OPEL (VAUXHALL)										
Combo (71_)										
1.4	07.94 - 10.01	60	1389	4	C 14 SE	CL200	1			
Combo Tour										
1.4	10.04 -	66	1364	4	Z 14 XEP	CL215	1	CP063	4	rail coil
1.6	10.01 -	64	1598	4	Z 16 SE	CL212	1			
1.6 CNG	06.06 -	69	1598	4	Z 16 YNG	CL202	1			rail coil
1.6 CNG	04.05 -	71	1598	4	Z 16 YNG	CL202	1			rail coil
Combo Van/Combi										
1.6	10.01 -	64	1598	4	Z 16 SE	CL212	1			
1.4 16V	08.05 -	66	1364	4	Z 14 XEP	CL215	1	CP063	4	rail coil
1.6 CNG 16V	06.06 -	69	1598	4	Z 16 YNG	CL202	1			rail coil
1.6 CNG 16V	04.05 -	71	1598	4	Z 16 YNG	CL202	1			rail coil
Corsa A CC (93_ , 94_ , 98_ , 99_)										
1.0	09.82 - 03.93	33	993	4	10 S	CL228	1			
1.2	09.82 - 08.90	33	1196	4	E 12 GV/12 NC	CL206	1			PIN
						CL228	1			DIN
1.2 i	09.89 - 03.93	33	1195	4	C 12 NZ	CL206	1			
1.2 N	01.90 - 03.93	38	1196	4	12 NV	CL205	1			
1.2 S	09.82 - 02.90	40	1196	4	12 ST	CL205	1			
1.3 GL	09.82 - 03.93	55	1297	4	13 S	CL205	1			
1.3 S	09.82 - 10.89	51	1297	4	13 SB	CL205	1			
1.4 i	01.90 - 03.93	44	1389	4	C 14 NZ	CL206	1			
1.4 S	01.90 - 03.93	53	1389	4	14 NV	CL206	1			
1.4 Si	09.91 - 03.93	60	1389	4	C 14 SE	CL200	1			without distributor
						CL206	1			with distributor
1.6 GSI	09.89 - 03.93	72	1598	4	C 16 SEI	CL200	1			without distributor
						CL206	1			with distributor
1.6 GSI	05.88 - 03.92	74	1598	4	E 16 SE	CL205	1			SAE
						CL206	1			PIN
1.6 GSI cat	02.92 - 03.93	74	1598	4	C 16 SE	CL200	1			without distributor
						CL206	1			with distributor
Corsa A TR (91_ , 92_ , 96_ , 97_)										
1.0	09.82 - 09.92	33	993	4	10 S	CL205	1			SAE
						CL228	1			DIN
1.2 i	09.89 - 03.93	33	1195	4	C 12 NZ	CL206	1			
1.2 N	01.85 - 10.87	33	1196	4	E 12 GV/12 NC	CL228	1			
1.2 S	09.82 - 03.93	40	1196	4	12 ST	CL205	1			
1.2 S	09.82 - 10.87	43	1196	4	12 S	CL205	1			
1.3 GL	09.82 - 03.93	55	1297	4	13 S	CL205	1			
1.3 S	09.82 - 10.87	51	1297	4	13 SB	CL205	1			
1.4 i	10.89 - 03.93	44	1389	4	C 14 NZ	CL206	1			
Corsa A Van										
1.0	02.86 - 04.89	33	993	4	10 S	CL205	1			SAE
						CL228	1			DIN
1.2	02.86 - 04.89	33	1196	4	E 12 GV/12 NC	CL228	1			
1.2	02.86 - 04.89	40	1196	4	12 ST	CL205	1			
1.2	02.86 - 07.90	44	1196	4	12 S	CL205	1			
1.3	02.86 - 04.89	51	1297	4	13 SB	CL205	1			
Corsa B (73_ , 78_ , 79_)										
1.0 i 12V	11.96 - 09.00	40	973	3	X 10 XE	CL213	1	CP063	3	rail coil
1.2 i	03.93 - 09.00	33	1195	4	X 12 SZ	CL200	1			without distributor
						CL206	1			with distributor
1.2 i	03.93 - 09.00	33	1195	4	12 NZ	CL206	1			
1.2 i 16V	03.98 - 09.00	48	1199	4	X 12 XE	CL214	1	CP063	4	rail coil
1.4 i	03.93 - 09.00	44	1389	4	X 14 SZ	CL200	1			without distributor
					C 14 NZ	CL206	1			with distributor / engine code
1.4 i 16V	08.97 - 09.00	63	1389	4	C 14 SEL	CL200	1			
1.4 i 16V	09.94 - 09.00	66	1389	4	X 14 XE	CL200	1			
1.4 i 16V	09.94 - 09.00	67	1389	4	X 14 XE	CL200	1			
1.4 Si	03.93 - 09.00	60	1389	4	C 14 SE	CL200	1			
1.6 GSI 16V	03.93 - 09.00	80	1598	4	C 16 XE	CL200	1			
1.6 i 16V	08.97 - 09.00	74	1598	4	C 16 SEL	CL200	1			
1.6 i 16V	09.94 - 09.00	78	1598	4	X 16 XE	CL200	1			
Corsa B Van (73_)										
1.4 i	08.99 - 09.00	44	1389	4	C 14 NZ/X 14 SZ	CL200	1			
Corsa C (F08, F68)										
1.0	09.00 - 06.03	43	973	3	Z 10 XE	CL213	1	CP063	3	rail coil
1.0	06.03 - 12.09	44	998	3	Z 10 XEP	CL217	1	CP063	3	rail coil
1.2	09.00 - 12.09	55	1199	4	Z 12 XE	CL214	1	CP063	4	1 st rail coil OEM No. 1208012
						CL215	1	CP063	4	2 nd rail coil OEM No. 1208020
1.2 Twinport	07.04 - 12.09	59	1229	4	Z 12 XEP	CL215	1	CP063	4	rail coil
1.4	09.00 - 12.09	66	1389	4	Z 14 XE	CL202	1			rail coil



model	year	kW	cm ³	cyl	engine	coil	pcs	boot	pcs	info
OPEL (VAUXHALL)										
◀ Corsa C (F08, F68)										
1.4 Twinport	06.03 - 12.09	66	1364	4	Z 14 XEP	CL215	1	CP063	4	rail coil
1.8	09.00 - 12.09	92	1796	4	Z 18 XE	CL203	1	CP060	4	rail coil
Corsa C Van (F08, W5L)										
1.2	07.05 -	59	1229	4	Z 12 XEP	CL215	1	CP063	4	rail coil
1.2 16V	09.00 -	55	1199	4	Z 12 XE	CL214	1	CP063	4	1 st rail coil OEM No. 1208012
						CL215	1	CP063	4	2 nd rail coil OEM No. 1208020
1.4	08.03 -	66	1364	4	Z 14 XEP	CL215	1	CP063	4	rail coil
Corsa D										
1.0	07.06 -	44	998	3	Z 10 XEP	CL217	1	CP063	3	rail coil
1.0	01.10 -	48	998	3	A 10 XEP	CL242	1			rail coil
1.2	06.10 -	51	1229	4	A 12 XEL	CL238	1			rail coil
1.2	07.06 -	59	1229	4	Z 12 XEP	CL215	1	CP063	4	rail coil
1.2	06.10 -	63	1229	4	A 12 XER	CL238	1			rail coil
1.2 LPG	09.09 -	59	1229	4	Z 12 XEP	CL215	1	CP063	4	rail coil
1.2 LPG	06.11 -	61	1229	4	A 12 XER	CL238	1			rail coil
1.2 LPG	08.11 -	63	1229	4	A 12 XER	CL238	1			rail coil
1.4	09.09 -	64	1398	4	A 14 XEL	CL238	1			rail coil
1.4	07.06 -	66	1364	4	Z 14 XEP	CL215	1	CP063	4	rail coil
1.4	06.10 -	74	1398	4	A 14 XER	CL238	1			rail coil
1.4	07.12 -	88	1364	4	A 14 NEL	CL238	1			rail coil
1.4 LPG	09.09 -	64	1398	4	A 14 XEL	CL238	1			rail coil
1.4 LPG	07.06 -	66	1364	4	Z 14 XEP	CL215	1	CP063	4	rail coil
1.6 Turbo	02.07 -	110	1598	4	Z 16 LEL/A 16 LEL	CL221	1	CP062	4	rail coil
1.6 Turbo	02.07 -	141	1598	4	B 16 LER/A 16 LER/Z 16 LER	CL221	1	CP062	4	rail coil
Corsa D Van										
1.0	07.06 -	44	998	3	A 10 XEP	CL242	1			rail coil
1.0	01.10 -	48	998	3	A 10 XEP	CL242	1			rail coil
1.2	06.10 -	51	1229	4	A 12 XEL	CL215	1	CP063	4	rail coil
1.2	07.09 -	59	1229	4	Z 12 XEP	CL215	1	CP063	4	rail coil
1.2	06.10 -	63	1229	4	A 12 XER	CL215	1	CP063	4	rail coil
Corsa E										
1.0	09.14 -	66	998	3	B 10 XFL	CL243	3			pencil
1.0	09.14 -	85	998	3	B 10 XFT	CL243	3			pencil
1.2	09.14 -	51	1229	4	B 12 XEL	CL238	1			rail coil
1.4	09.14 -	55	1398	4	B 14 XEJ	CL238	1			rail coil
1.4	09.14 -	66	1398	4	B 14 XEL	CL238	1			rail coil
1.4 LPG	03.15 -	66	1398	4	B 14 XEL	CL238	1			rail coil
1.4 Turbo	09.14 -	74	1364	4	B 14 NEJ	CL238	1			rail coil
1.4 Turbo	03.15 -	110	1364	4	B 14 NEH	CL238	1			rail coil
1.6 Turbo	03.15 -	152	1598	4	B 16 LES	CL233	1			rail coil
Corsa E Van										
1.2	01.15 -	51	1229	4	B 12 XEL	CL238	1			rail coil
Frontera A (5_MWL4)										
2.2 i	03.95 - 10.98	100	2198	4	X 22 XE	CL219	1			
2.4 i	03.92 - 10.98	92	2410	4	C 24 NE	CL208	1			
Frontera A Sport (5_SUD2)										
2.0 i	03.92 - 10.98	85	1998	4	C 20 NE	CL208	1			with distributor / engine code
				4	X 20 SE	CL219	1			without distributor / engine code
Frontera B (6B_)										
2.2 i	10.98 -	100	2198	4	X 22 SE/Y 22 SE	CL201	1			
GT Cabriolet										
2.0	06.07 -	194	1998	4	LNF/Z 20 NHH	CL237	4			pencil
Insignia										
1.4	04.11 -	103	1364	4	A 14 NET	CL238	1			rail coil
1.4 LPG	07.12 -	103	1364	4	A 14 NET	CL238	1			rail coil
1.6	07.08 -	85	1598	4	A 16 XER	CL233	1			rail coil
1.6 SIDI	03.13 -	125	1598	4	A 16 XHT	CL240	4			pencil
1.6 Turbo	07.08 -	132	1598	4	A 16 LET	CL221	1	CP062	4	rail coil
1.8	07.08 -	103	1796	4	A 18 XER	CL233	1			rail coil
2.0 E85 Turbo	09.10 -	162	1998	4	A 20 NHT	CL237	4			pencil
2.0 Turbo	07.08 -	162	1998	4	A 20 NHT	CL237	4			pencil
2.0 Turbo 4x4	07.08 -	162	1998	4	A 20 NHT	CL237	4			pencil
2.0 Turbo 4x4	09.11 -	184	1998	4	A 20 NFT	CL237	4			pencil
2.8 V6 Turbo 4x4	07.08 -	191	2792	6	A 28 NET	CL245	6			pencil
2.8 V6 Turbo OPC 4x4	07.09 -	239	2792	6	A 28 NER	CL245	6			pencil
Insignia Caravan										
1.4	09.11 -	103	1364	4	A 14 NET	CL238	1			rail coil
1.4 LPG	07.12 -	103	1364	4	A 14 NET	CL238	1			rail coil
1.6	07.08 -	85	1598	4	A 16 XER	CL233	1			rail coil
1.6 SIDI	03.13 -	125	1598	4	A 16 XHT	CL240	4			pencil
1.6 Turbo	01.09 -	132	1598	4	A 16 LET	CL221	1	CP062	4	rail coil

model	year	kW	cm ³	cyl	engine	coil	pcs	boot	pcs	info
OPEL (VAUXHALL)										
▶ Insignia Caravan										
1.8	07.08 -	103	1796	4	A 18 XER	CL233	1			rail coil
2.0 E85 Turbo	09.10 -	162	1998	4	A 20 NHT	CL237	4			pencil
2.0 Turbo	07.08 -	162	1998	4	A 20 NHT	CL237	4			pencil
2.0 Turbo 4x4	07.08 -	162	1998	4	A 20 NHT	CL237	4			pencil
2.0 Turbo 4x4	09.11 -	184	1998	4	A 20 NFT	CL237	4			pencil
2.8 V6 Turbo 4x4	10.08 -	191	2792	6	A 28 NET	CL245	6			pencil
2.8 V6 Turbo OPC 4x4	07.09 -	239	2792	6	A 28 NER	CL245	6			pencil
Insignia Sedan										
1.4	04.11 -	103	1364	4	A 14 NET	CL238	1			rail coil
1.4 LPG	07.12 -	103	1364	4	A 14 NET	CL238	1			rail coil
1.6	07.08 -	85	1598	4	A 16 XER	CL233	1			rail coil
1.6 SIDI	03.13 -	125	1598	4	A 16 XHT	CL240	4			pencil
1.6 Turbo	01.09 -	132	1598	4	A 16 LET	CL221	1	CP062	4	rail coil
1.8	07.08 -	103	1796	4	A 18 XER	CL233	1			rail coil
2.0 Turbo	07.08 -	162	1998	4	A 20 NHT	CL237	4			pencil
2.0 Turbo 4x4	07.08 -	162	1998	4	A 20 NHT	CL237	4			pencil
2.0 Turbo 4x4	09.11 -	184	1998	4	A 20 NFT	CL237	4			pencil
2.0 Turbo E85	07.08 -	162	1998	4	A 20 NHT	CL237	4			pencil
2.8 V6 Turbo 4x4	07.08 -	191	2792	6	A 28 NET	CL245	6			pencil
2.8 V6 Turbo OPC 4x4	07.09 -	239	2792	6	A 28 NER	CL245	6			pencil
Kadett D (31 , 34 , 41 , 44)										
1.2	08.79 - 07.82	39	1196	4	12 N	CL228	1			
1.2	08.82 - 08.84	40	1196	4	12 ST	CL228	1			
1.3 N	08.79 - 08.84	44	1297	4	13 N	CL205	1			
1.3 S	08.79 - 08.84	55	1297	4	13 S	CL205	1			
Kadett D Caravan (35 , 36 , 45 , 46)										
1.2	08.79 - 07.82	39	1196	4	12 N	CL228	1			
1.3 N	08.79 - 08.84	44	1297	4	13 N	CL205	1			
1.3 S	08.79 - 08.84	55	1297	4	13 S	CL205	1			
Kadett E (39 , 49)										
1.2	09.84 - 07.86	40	1196	4	12 SC	CL228	1			
1.3 i cat	09.85 - 08.91	44	1297	4	C 13 N	CL205	1			
1.3 S	09.84 - 08.87	55	1297	4	13 S	CL205	1			
1.4 i	01.90 - 08.91	44	1389	4	C 14 NZ	CL206	1			
1.4 S	01.90 - 08.91	55	1389	4	14 NV	CL206	1			
1.6 i	09.86 - 08.91	55	1598	4	E 16 NZ	CL205	1			
1.6 i cat	09.86 - 08.91	55	1598	4	C 16 NZ/C 16 LZ	CL205	1			
1.6 S	09.84 - 08.86	66	1598	4	16 SH	CL206	1			
1.8	09.87 - 08.90	84	1796	4	18 E	CL206	1			
1.8 i	09.90 - 08.91	66	1796	4	C 18 NZ	CL206	1			
1.8 S	09.87 - 08.91	62	1798	4	E 18 NV	CL208	1			
2.0 i	03.87 - 08.91	85	1998	4	20 NE/20 SE	CL208	1			
2.0 i cat	03.87 - 08.91	85	1998	4	C 20 NE	CL208	1			
Kadett E Cabriolet (43B)										
1.3 S	03.87 - 02.93	55	1297	4	13 S	CL205	1			
1.4 i	01.90 - 08.91	44	1389	4	C 14 NZ	CL206	1			
1.4 S	08.90 - 02.93	55	1389	4	14 NV	CL206	1			
1.6 i	10.86 - 02.93	55	1598	4	E 16 NZ	CL205	1			
1.6 i	07.89 - 02.93	60	1598	4	16 SV	CL205	1			SAE
						CL206	1			PIN
1.6 i cat	10.87 - 02.93	55	1598	4	C 16 NZ/C 16 LZ	CL205	1			
2.0 i	10.86 - 02.93	85	1998	4	20 NE	CL208	1			
2.0 i cat	10.86 - 02.93	85	1998	4	C 20 NE	CL208	1			
Kadett E Caravan (35 , 36 , 45 , 46)										
1.2	09.84 - 07.86	40	1196	4	12 SC	CL228	1			
1.4 i	01.90 - 08.91	44	1389	4	C 14 NZ	CL206	1			
1.4 S	01.90 - 08.91	55	1389	4	14 NV	CL206	1			
1.6	09.86 - 08.91	60	1598	4	16 SV	CL206	1			
1.6 i cat	09.86 - 08.91	55	1598	4	C 16 NZ/C 16 LZ	CL205	1			
1.8 i	06.85 - 08.91	66	1796	4	C 18 NZ/C 18 NT	CL206	1			
1.8 S	09.87 - 08.91	62	1796	4	E 18 NV	CL208	1			
2.0 i	09.87 - 08.91	85	1998	4	20 NE	CL208	1			
Kadett E CC (33 , 34 , 43 , 44)										
1.2	09.84 - 07.86	40	1196	4	12 SC	CL228	1			
1.3 N	09.84 - 08.91	44	1297	4	13 NB/13 N	CL205	1			
1.3 S	09.84 - 08.87	55	1297	4	13 S	CL205	1			
1.4 i	01.90 - 08.91	44	1389	4	C 14 NZ	CL206	1			
1.4 S	01.90 - 08.91	55	1389	4	14 NV	CL206	1			
1.6 i	09.86 - 08.91	55	1598	4	E 16 NZ	CL205	1			
1.6 i cat	09.86 - 08.91	55	1598	4	C 16 NZ/C 16 LZ	CL205	1			
1.6 S	09.86 - 08.91	60	1598	4	16 SV	CL206	1			



model	year	kW	cm ³	cyl	engine	coil	pcs	boot	pcs	info
OPEL (VAUXHALL)										
Kadett E CC (33 , 34 , 43 , 44)										
1.8 i	06.85 - 08.91	66	1796	4	C 18 NZ	CL206	1			
1.8 S	09.87 - 08.91	62	1796	4	E 18 NV/S 18 NV	CL208	1			
2.0 GSI	09.86 - 08.91	85	1998	4	20 NE	CL208	1			
2.0 GSI	09.86 - 08.91	95	1998	4	20 SEH	CL208	1			
2.0 GSI cat	09.86 - 08.91	85	1998	4	C 20 NE	CL208	1			
Kadett E Combo (38 , 48)										
1.3 N	01.86 - 12.89	44	1297	4	13 N	CL205	1			
1.3 S	01.86 - 12.89	55	1297	4	13 S	CL205	1			
1.4 i	08.91 - 07.94	44	1389	4	C 14 NZ	CL205	1			SAE
						CL206	1			PIN
1.4 S	07.89 - 08.91	55	1389	4	14 NV	CL206	1			
1.6	09.86 - 12.91	60	1598	4	16 SV	CL206	1			
1.6 i	08.91 - 07.94	55	1598	4	C 16 NZ	CL205	1			
Kadett E Van (37 , 47)										
1.2	09.84 - 07.86	40	1196	4	12 SC	CL228	1			
1.4 i	01.90 - 08.91	44	1389	4	C 14 NZ	CL206	1			
1.6 i	08.89 - 09.93	55	1598	4	C 16 NZ	CL205	1			
Manta A (58 , 59)										
1.6	02.75 - 08.75	44	1584	4	16 N	CL228	1			
1.6	09.70 - 08.75	50	1584	4	16 N	CL228	1			
1.6	02.75 - 08.75	55	1584	4	16 S	CL228	1			
1.6 S	09.70 - 08.75	59	1584	4	16 S	CL228	1			
1.9 S	09.70 - 08.75	66	1897	4	19 S	CL228	1			
Manta B (58 , 59)										
1.3 S	08.81 - 08.86	55	1297	4	13 S	CL205	1			SAE
						CL228	1			DIN
1.6 N	09.75 - 12.80	44	1584	4	16 N	CL228	1			
1.6 S	09.75 - 12.81	55	1584	4	16 S	CL228	1			
1.8 S	07.82 - 08.87	66	1796	4	18 S	CL228	1			
1.9 S	09.75 - 12.80	66	1897	4	19 S	CL228	1			
2.0 E	08.77 - 08.88	81	1979	4	20 E	CL228	1			
2.0 S	08.77 - 08.84	74	1979	4	20 S	CL228	1			
Manta B CC (53 , 55)										
1.3 S	08.79 - 08.86	55	1297	4	13 S	CL205	1			SAE
						CL228	1			DIN
1.6 N	09.75 - 12.80	44	1584	4	16 N	CL228	1			
2.0 E	08.77 - 08.88	81	1979	4	20 E	CL228	1			
2.0 S	08.77 - 08.84	74	1979	4	20 S	CL228	1			
Meriva										
1.4 16V Twinport	07.04 - 05.10	66	1364	4	Z 14 XEP	CL215	1	CP063	4	rail coil
1.4 16V Twinport LPG	07.04 - 05.10	66	1364	4	Z 14 XEP	CL215	1	CP063	4	rail coil
1.6	05.03 - 05.10	64	1598	4	Z 16 SE	CL212	1			
1.6	01.06 - 05.10	77	1598	4	Z 16 XEP	CL221	1	CP062	4	rail coil
1.6 16V	05.03 - 01.06	74	1598	4	Z 16 XE	CL202	1			rail coil
1.6 Turbo	09.05 - 05.10	132	1598	4	Z 16 LET	CL221	1	CP062	4	rail coil
1.8	05.03 - 05.10	92	1796	4	Z 18 XE	CL203	1	CP060	4	rail coil
Meriva B										
1.4	06.10 -	74	1398	4	A 14 XER/B 14 XER	CL238	1			rail coil
1.4	06.10 -	88	1364	4	B 14 NEL/A 14 NEL	CL238	1			rail coil
1.4	06.10 -	103	1364	4	A 14 NET/B 14 NET	CL238	1			rail coil
1.4 LPG	06.11 -	88	1364	4	B 14 NEL/A 14 NEL	CL238	1			rail coil
Mokka										
1.4	04.13 -	103	1364	4	A 14 NET/B 14 NET	CL238	1			rail coil
1.4 4x4	06.12 -	103	1364	4	A 14 NET/B 14 NET	CL238	1			rail coil
1.4 LPG	04.13 -	103	1364	4	A 14 NET	CL238	1			rail coil
1.6	06.12 -	85	1598	4	A 16 XER	CL244	1			rail coil
1.8	01.13 -	103	1796	4	A 18 XER	CL233	1			rail coil
1.8 4x4	01.13 -	103	1796	4	A 18 XER	CL233	1			rail coil
Monza A (22)										
2.2 E	11.84 - 08.86	85	2197	4	22 E	CL205	1			
Omega A (16 , 17 , 19)										
1.8	09.87 - 03.94	65	1796	4	E 18 NVR	CL208	1			
1.8	09.86 - 03.94	85	1796	4	18 SEH	CL206	1			
1.8 N	09.86 - 08.87	60	1796	4	18 NV	CL208	1			
1.8 S	09.86 - 03.94	66	1796	4	18 SV	CL206	1			
2.0	09.90 - 03.94	73	1998	4	C 20 NEJ	CL208	1			
2.0	09.90 - 03.94	74	1998	4	C 20 NEF	CL208	1			
2.0	09.86 - 03.94	90	1998	4	20 SE	CL208	1			
2.0 i	09.86 - 03.94	85	1998	4	C 20 NE	CL208	1			
2.4 i	09.88 - 03.94	92	2410	4	C 24 NE	CL208	1			
3.0	03.87 - 12.87	115	2969	6	C 30 LE	CL208	1			

model	year	kW	cm ³	cyl	engine	coil	pcs	boot	pcs	info
OPEL (VAUXHALL)										
Omega A (16 , 17 , 19)										
3.0	03.87 - 09.90	130	2969	6	30 NE	CL208	1			
3.0 cat	03.88 - 03.94	130	2969	6	C 30 NE	CL208	1			
3.0 24V	09.89 - 03.94	147	2969	6	C 30 SEJ	CL208	1			
3.0 24V	09.89 - 03.94	150	2969	6	C 30 SE	CL208	1			
3.0 24V Evolution500	03.91 - 07.92	169	2969	6	C 30 XEI	CL208	1			
Omega A Caravan (66 , 67)										
1.8	09.87 - 03.94	65	1796	4	E 18 NVR	CL208	1			
1.8	09.86 - 03.94	85	1796	4	18 SEH	CL206	1			
1.8 N	09.86 - 08.87	60	1796	4	18 NV	CL208	1			
1.8 S	09.86 - 03.94	66	1796	4	18 SV	CL206	1			
2.0	09.90 - 03.94	74	1998	4	C 20 NEF	CL208	1			
2.0	09.86 - 03.94	90	1998	4	20 SE	CL208	1			
2.0 i	09.90 - 03.94	73	1998	4	C 20 NEJ	CL208	1			
2.0 i	09.86 - 03.94	85	1998	4	C 20 NE	CL208	1			
2.4 i	09.88 - 03.94	92	2410	4	C 24 NE	CL208	1			
3.0	03.87 - 03.94	115	2969	6	C 30 LE	CL208	1			
3.0	03.87 - 09.90	130	2969	6	30 NE	CL208	1			
3.0 cat	03.87 - 03.94	130	2969	6	C 30 NE	CL208	1			
3.0 24V	09.89 - 03.94	147	2969	6	C 30 SEJ	CL208	1			
Omega B (25 , 26 , 27)										
2.0	03.94 - 09.99	85	1998	4	X 20 SE	CL219	1			
2.0	03.94 - 12.00	85	1998	4	20 SE	CL219	1			
2.0 16V	03.94 - 09.99	100	1998	4	X 20 XEV	CL207	1			
2.2 16V	09.99 - 07.03	106	2198	4	Y 22 XE/Z 22 XE	CL223	1			rail coil
2.5 V6	03.94 - 09.00	125	2498	6	X 25 XE	CL209	1			1 st coil type / socket design
						CL210	1			2 nd coil type / socket design
						CL222	1			3 rd coil type / socket design
2.6 V6	09.00 - 07.03	132	2597	6	Y 26 SE	CL229	1	CP059	3	rail coil for cyl 1-3-5
						CL230	1	CP059	3	rail coil for cyl 2-4-6
3.0 V6	04.94 - 02.01	155	2962	6	X 30 XE	CL209	1			1 st coil type / socket design
						CL210	1			2 nd coil type / socket design
						CL222	1			3 rd coil type / socket design
3.2 V6	02.01 - 07.03	160	3175	6	Y 32 SE	CL229	1	CP059	3	rail coil for cyl 1-3-5
						CL230	1	CP059	3	rail coil for cyl 2-4-6
Omega B Caravan (21 , 22 , 23)										
2.0	03.94 - 09.99	85	1998	4	X 20 SE	CL219	1			
2.0 16V	03.94 - 09.99	100	1998	4	X 20 XEV	CL207	1			
2.2 16V	09.99 - 07.03	106	2198	4	Y 22 XE/Z 22 XE	CL223	1			rail coil
2.5 V6	03.94 - 09.00	125	2498	6	X 25 XE	CL209	1			1 st coil type / socket design
						CL210	1			2 nd coil type / socket design
						CL222	1			3 rd coil type / socket design
2.6 V6	09.00 - 07.03	132	2597	6	Y 26 SE	CL229	1	CP059	3	rail coil for cyl 1-3-5
						CL230	1	CP059	3	rail coil for cyl 2-4-6
3.0 V6	04.94 - 02.01	155	2962	6	X 30 XE	CL209	1			1 st coil type / socket design
						CL210	1			2 nd coil type / socket design
						CL222	1			3 rd coil type / socket design
3.2 V6	02.01 - 07.03	160	3175	6	Y 32 SE	CL229	1	CP059	3	rail coil for cyl 1-3-5
						CL230	1	CP059	3	rail coil for cyl 2-4-6
Senator B (29)										
2.5 i	09.90 - 09.93	103	2490	6	25 NE	CL208	1			
2.6 i	09.90 - 09.93	110	2594	6	C 26 NE	CL208	1			
3.0	09.87 - 09.93	115	2969	6	C 30 LE	CL208	1			
3.0 24V	09.89 - 09.93	150	2969	6	C 30 SE	CL208	1			
Signum										
1.8	05.03 -	90	1796	4	Z 18 XE	CL203	1	CP060	4	rail coil
1.8	09.05 -	103	1796	4	Z 18 XER	CL221	1	CP062	4	rail coil
2.0 Turbo	05.03 -	129	1998	4	Z 20 NET	CL235	4			pencil
2.2 Direct	05.03 -	114	2198	4	Z 22 YH	CL226	1			rail coil
2.8 V6 Turbo	09.05 -	169	2792	6	Z 28 NEL	CL239	6	CP061	6	pencil
2.8 V6 Turbo	01.06 -	184	2792	6	Z 28 NET	CL239	6	CP061	6	pencil
3.2 V6	05.03 -	155	3175	6	Z 32 SE	CL229	1	CP059	3	rail coil for cyl 1-3-5
						CL232	1	CP059	3	rail coil for cyl 2-4-6
Speedster										
2.2	09.00 -	108	2198	4	Z 22 SE	CL224	1	CP058	4	rail coil
2.0 Turbo	04.03 -	147	1998	4	Z 20 LET	CL218	1	CP071	4	rail coil
Tigra (95)										
1.4 16V	08.97 - 12.00	63	1389	4	X 14 XE	CL200	1			
1.4 16V	07.94 - 12.00	66	1389	4	X 14 XE	CL200	1			
1.6 16V	08.97 - 08.98	74	1598	4	C 16 SEL	CL200	1			
1.6 16V	07.94 - 08.98	78	1598	4	X 16 XE	CL200	1			

model	year	kW	cm ³	cyl	engine	coil	pcs	boot	pcs	info
OPEL (VAUXHALL)										
Tigra TwinTop										
1.4	06.04 -	66	1364	4	Z 14 XEP	CL215	1	CP063	4	rail coil
1.8	06.04 -	92	1796	4	Z 18 XE	CL203	1	CP060	4	rail coil
Vectra A (86 , 87)										
1.6	08.92 - 07.93	51	1598	4	C 16 LZ2	CL206	1			
1.6	09.88 - 12.90	60	1598	4	16 SV	CL205	1			SAE / year
	01.90 - 05.93	60	1598	4	16 SV	CL206	1			PIN / year
1.6 i	09.93 - 11.95	52	1598	4	X 16 SZ	CL200	1			
1.6 i	09.88 - 11.95	55	1598	4	C 16 NZ2/C 16 NZ/E 16 NZ	CL205	1			
1.6 i	09.93 - 11.95	55	1598	4	16 LZ2	CL206	1			
1.8 i cat	03.90 - 11.95	66	1796	4	C 18 NZ	CL206	1			
1.8 S	09.88 - 07.89	65	1796	4	E 18 NVR	CL206	1			
1.8 S	09.89 - 10.90	66	1796	4	18 SV	CL206	1			
1.8 S 4x4	01.89 - 07.89	65	1796	4	E 18 NVR	CL206	1			
2.0 i	09.88 - 10.90	85	1998	4	20 NE	CL208	1			
2.0 i	09.88 - 09.92	95	1998	4	20 SEH	CL208	1			
2.0 i cat	09.88 - 11.95	85	1998	4	C 20 NE	CL208	1			
2.0 i 4x4	01.89 - 10.90	85	1998	4	20 NE	CL208	1			
2.0 i 4x4	01.89 - 09.92	95	1998	4	20 SEH	CL208	1			
2.0 i 4x4 cat	01.89 - 11.95	85	1998	4	C 20 NE	CL208	1			
2.0 i 16V	06.94 - 11.95	100	1998	4	X 20 XEV	CL207	1			
2.0 i 16V 4x4	06.94 - 11.95	100	1998	4	X 20 XEV	CL207	1			
2.0 i Turbo 4x4	06.94 - 11.95	150	1998	4	C 20 LET	CL208	1			
2.5 CD 4x4	08.92 - 08.95	125	2498	6	C 25 XE	CL210	1			
2.5 V6	02.93 - 11.95	125	2498	6	C 25 XE	CL210	1			
2000 16V 4x4	01.89 - 10.90	110	1998	4	20 XEJ	CL208	1			
2000/GT 16V	01.89 - 06.94	110	1998	4	20 XEJ	CL208	1			
2000/GT 16V cat	02.90 - 11.95	110	1998	4	C 20 XE	CL208	1			with distributor
						CL219	1			without distributor
2000/GT 16V 4x4 cat	02.90 - 11.95	110	1998	4	C 20 XE	CL208	1			with distributor
						CL219	1			without distributor
Vectra A CC (88 , 89)										
1.6 i	09.93 - 11.95	52	1598	4	X 16 SZ	CL200	1			
1.6 i	09.93 - 11.95	55	1598	4	16 LZ2	CL206	1			
1.6 i cat	09.88 - 11.95	55	1598	4	C16NZ	CL205	1			SAE
						CL206	1			PIN
1.6 S	09.88 - 12.90	60	1598	4	16 SV	CL205	1			year / SAE
	01.90 - 05.93	60	1598	4	16 SV	CL206	1			year / PIN
1.8 i	09.88 - 10.90	66	1796	4	18 SV	CL206	1			
1.8 i cat	03.90 - 11.95	66	1796	4	C 18 NZ	CL206	1			
1.8 S	09.88 - 07.89	65	1796	4	E 18 NVR	CL206	1			
2.0	04.88 - 09.89	74	1998	4	C 20 NEF	CL208	1			
2.0 i	09.88 - 10.90	85	1998	4	20 NE	CL208	1			
2.0 i cat	09.88 - 11.95	85	1998	4	C 20 NE	CL208	1			
2.0 i 16V	02.89 - 10.90	110	1998	4	20 XEJ	CL208	1			
2.0 i 16V	06.94 - 11.95	100	1998	4	X 20 XEV	CL207	1			
2.0 i 16V cat	02.90 - 11.95	110	1998	4	C 20 XE	CL219	1			
2.0 i GT	06.90 - 11.95	95	1998	4	20 SEH	CL208	1			
2.5 V6	02.93 - 11.95	125	2498	6	C 25 XE	CL210	1			
Vectra B (36)										
1.6 i	10.95 - 04.02	55	1598	4	X 16 SZR	CL200	1			
1.6 i	10.95 - 04.02	55	1598	4	16 LZ2	CL206	1			
1.6 i 16V	10.95 - 04.02	74	1598	4	Z 16 XE/X 16 XEL/Y 16 XE	CL200	1			coil 4xPIN
						CL202	1			rail coil
1.8 i 16V	10.95 - 09.00	85	1796	4	X 18 XE1	CL203	1	CP060	4	rail coil
						CL207	1			coil 4xPIN
1.8 i 16V	10.95 - 09.00	85	1799	4	X 18 XE	CL207	1			
1.8 i 16V	09.00 - 04.02	92	1796	4	Z 18 XE	CL203	1	CP060	4	rail coil
2.0 i	10.95 - 04.02	82	1998	4	20 NEJ	CL219	1			
2.0 i 16V	10.95 - 09.00	100	1998	4	X 20 XEV/C 20 SEL	CL207	1			
2.2 i 16V	09.00 - 04.02	108	2198	4	Z 22 SE	CL224	1	CP058	4	rail coil
2.5 i V6	10.95 - 09.00	125	2498	6	X 25 XE	CL209	1			
2.6 i V6	09.00 - 04.02	125	2597	6	Y 26 SE	CL229	1	CP059	3	rail coil for cyl 1-3-5
						CL230	1	CP059	3	rail coil for cyl 2-4-6
i 500 2.5	05.98 - 09.00	143	2498	6	X 25 XE	CL209	1			
Vectra B Caravan (31)										
1.6 i	11.96 - 06.00	55	1598	4	X 16 SZR	CL200	1			
1.6 i	11.96 - 06.00	55	1598	4	16 LZ2	CL206	1			
1.6 i 16V	11.96 - 07.02	74	1598	4	Z 16 XE/X 16 XEL/Y 16 XE	CL200	1			coil 4xPIN
						CL202	1			rail coil
1.8 i 16V	11.96 - 09.00	85	1796	4	X 18 XE1	CL203	1	CP060	4	rail coil
						CL207	1			coil 4xPIN

model	year	kW	cm ³	cyl	engine	coil	pcs	boot	pcs	info
OPEL (VAUXHALL)										
◀ Vectra B Caravan (31_)										
1.8 i 16V	11.96 - 09.00	85	1799	4	X 18 XE	CL207	1			
1.8 i 16V	09.00 - 07.03	92	1796	4	Z 18 XE	CL203	1	CP060	4	rail coil
2.0 i	11.96 - 02.02	82	1998	4	20 NEJ	CL219	1			
2.0 i 16V	11.96 - 09.00	100	1998	4	X 20 XEV/C 20 SEL	CL207	1			
2.2 i 16V	09.00 - 07.03	108	2198	4	Z 22 SE	CL224	1	CP058	4	rail coil
2.5 i V6	11.96 - 09.00	125	2498	6	X 25 XE	CL209	1			
2.6 i V6	09.00 - 07.03	125	2597	6	Y 26 SE	CL229	1	CP059	3	rail coil for cyl 1-3-5
						CL230	1	CP059	3	rail coil for cyl 2-4-6
i 500 2.5	05.98 - 09.00	143	2498	6	X 25 XE	CL209	1			
Vectra B CC (38_)										
1.6 i	10.95 - 07.03	55	1598	4	X 16 SZR	CL200	1			
1.6 i	10.95 - 07.03	55	1598	4	16 LZ2	CL206	1			
1.6 i 16V	10.95 - 07.02	74	1598	4	Z 16 XE/X 16 XEL/Y 16 XE	CL200	1			coil 4xPIN
						CL202	1			rail coil
1.8 i 16V	10.95 - 09.00	85	1796	4	X 18 XE1	CL203	1	CP060	4	rail coil
						CL207	1			coil 4xPIN
1.8 i 16V	10.95 - 09.00	85	1799	4	X 18 XE	CL207	1			
1.8 i 16V	09.00 - 07.03	92	1796	4	Z 18 XE	CL203	1	CP060	4	rail coil
2.0 i	10.95 - 02.02	82	1998	4	20 NEJ	CL219	1			
2.0 i 16V	10.95 - 09.00	100	1998	4	X 20 XEV/C 20 SEL	CL207	1			
2.2 i 16V	09.00 - 07.03	108	2198	4	Z 22 SE	CL224	1	CP058	4	rail coil
2.5 i V6	10.95 - 09.00	125	2498	6	X 25 XE	CL209	1			
2.6 i V6	09.00 - 07.03	125	2597	6	Y 26 SE	CL229	1	CP059	3	rail coil for cyl 1-3-5
						CL230	1	CP059	3	rail coil for cyl 2-4-6
Vectra C										
1.6	01.06 -	77	1598	4	Z 16 XEP	CL221	1	CP062	4	rail coil
1.6 16V	06.04 -	74	1598	4	Z 16 XE	CL202	1			rail coil
1.8	04.02 -	81	1796	4	Z 18 XEL	CL203	1	CP060	4	rail coil
1.8	01.06 -	103	1796	4	Z 18 XER	CL221	1	CP062	4	rail coil
1.8 16V	04.02 -	90	1796	4	Z 18 XE	CL203	1	CP060	4	rail coil
2.0 16V Turbo	03.03 -	129	1998	4	Z 20 NET	CL235	4			pencil
2.2 16V	04.02 -	108	2198	4	Z 22 SE	CL224	1	CP058	4	rail coil
2.2 Direct	10.03 -	114	2198	4	Z 22 YH	CL226	1			rail coil
2.8 V6 Turbo	08.05 -	169	2792	6	Z 28 NEL	CL239	6	CP061	6	pencil
2.8 V6 Turbo	08.06 -	184	2792	6	Z 28 NET	CL239	6	CP061	6	pencil
2.8 V6 Turbo	08.05 -	188	2792	6	Z 28 NET	CL239	6	CP061	6	pencil
3.2 V6	08.02 -	155	3175	6	Z 32 SE	CL229	1	CP059	3	rail coil for cyl 1-3-5
						CL232	1	CP059	3	rail coil for cyl 2-4-6
Vectra C Caravan										
1.6	01.06 -	77	1598	4	Z 16 XEP	CL221	1	CP062	4	rail coil
1.6 16V	06.04 -	74	1598	4	Z 16 XE	CL202	1			rail coil
1.8	10.03 -	90	1796	4	Z 18 XE	CL203	1	CP060	4	rail coil
1.8	01.06 -	103	1796	4	Z 18 XER	CL221	1	CP062	4	rail coil
2.0 Turbo	10.03 -	129	1998	4	Z 20 NET	CL235	4			pencil
2.2 Direct	10.03 -	114	2198	4	Z 22 YH	CL226	1			rail coil
2.8 V6 Turbo	08.05 -	169	2792	6	Z 28 NEL	CL239	6	CP061	6	pencil
2.8 V6 Turbo	01.07 -	184	2792	6	Z 28 NET	CL239	6	CP061	6	pencil
2.8 V6 Turbo	08.05 -	188	2792	6	Z 28 NET	CL239	6	CP061	6	pencil
2.8 V6 Turbo	01.07 -	206	2792	6	Z 28 NET	CL239	6	CP061	6	pencil
3.2 V6	10.03 -	155	3175	6	Z 32 SE	CL229	1	CP059	3	rail coil for cyl 1-3-5
						CL232	1	CP059	3	rail coil for cyl 2-4-6
Vectra C GTS										
1.6	08.05 -	74	1598	4	Z 16 XE	CL202	1			rail coil
1.6	01.06 -	77	1598	4	Z 16 XEP	CL221	1	CP062	4	rail coil
1.8	01.06 -	103	1796	4	Z 18 XER	CL221	1	CP062	4	rail coil
1.8 16V	08.02 -	90	1796	4	Z 18 XE	CL203	1	CP060	4	rail coil
2.0 16V Turbo	03.03 -	129	1998	4	Z 20 NET	CL235	4			pencil
2.2 16V	08.02 -	108	2198	4	Z 22 SE	CL224	1	CP058	4	rail coil
2.2 Direct	10.03 -	114	2198	4	Z 22 YH	CL226	1			rail coil
2.8 V6 Turbo	08.05 -	169	2792	6	Z 28 NEL	CL239	6	CP061	6	pencil
2.8 V6 Turbo	08.06 -	184	2792	6	Z 28 NET	CL239	6	CP061	6	pencil
2.8 V6 Turbo	08.05 -	188	2792	6	Z 28 NET	CL239	6	CP061	6	pencil
2.8 V6 Turbo	08.06 -	206	2792	6	Z 28 NET	CL239	6	CP061	6	pencil
3.2 V6	08.02 -	155	3175	6	Z 32 SE	CL229	1	CP059	3	rail coil for cyl 1-3-5
						CL232	1	CP059	3	rail coil for cyl 2-4-6
Vivaro Combi (J7)										
2.0 16V	08.01 -	88	1998	4	F4R 720	CL100	4			pencil
2.0 Ecotec	08.06 -	86	1998	4	F4R 820	CL100	4			pencil
Vivaro Flatbed (E7)										
2.0 16V	08.06 -	88	1998	4	F4R 720	CL100	4			pencil
2.0 Ecotec	08.06 -	86	1998	4	F4R 820	CL100	4			pencil

model	year	kW	cm ³	cyl	engine	coil	pcs	boot	pcs	info
OPEL (VAUXHALL)										
Vivaro Van (F7)										
2.0 16V	08.01 -	88	1998	4	F4R 720	CL100	4			pencil
2.0 Ecotec	08.06 -	86	1998	4	F4R 820	CL100	4			pencil
Zafira A (F75)										
1.6 16V	04.99 - 06.05	74	1598	4	X 16 XEL	CL200	1			coil 4xPIN / engine code
				4	Z 16 XE	CL202	1			rail coil / engine code
1.6 CNG	09.01 - 06.05	71	1598	4	Z 16 YNG	CL202	1			rail coil
1.8 16V	04.99 - 09.00	85	1796	4	X 18 XE1	CL203	1	CP060	4	rail coil
						CL207	1			coil 4xPIN
1.8 16V	09.00 - 06.05	92	1796	4	Z 18 XE	CL203	1	CP060	4	rail coil
2.0 OPC	09.01 - 06.05	141	1998	4	Z 20 LET	CL218	1	CP071	4	rail coil
2.0 OPC	11.02 - 06.05	147	1998	4	Z 20 LET/Z 20 LER	CL218	1	CP071	4	rail coil
2.2 16V	09.00 - 06.05	108	2198	4	Z 22 SE	CL224	1	CP058	4	rail coil
Zafira B (A05)										
1.6	07.05 -	77	1598	4	Z 16 XE1/Z 16 XEP	CL221	1	CP062	4	rail coil
1.6	01.08 -	85	1598	4	A 16 XER/Z 16 XER	CL221	1	CP062	4	rail coil
1.6 CNG	01.06 -	69	1598	4	Z 16 YNG	CL202	1			rail coil
1.6 CNG Turbo	02.09 -	110	1598	4	A 16 XNT/Z 16 XNT	CL221	1	CP062	4	rail coil
1.8	06.13 -	88	1796	4	A 18 XEL	CL233	1			rail coil
1.8	07.05 -	103	1796	4	Z 18 XER/A 18 XER	CL221	1	CP062	4	rail coil
2.0	07.05 -	147	1998	4	Z 20 LER	CL218	1	CP071	4	rail coil
2.0	01.06 -	177	1998	4	Z 20 LEH	CL218	1	CP071	4	rail coil
2.2	07.05 -	110	2198	4	Z 22 YH	CL226	1			rail coil
Zafira B Van										
1.8	07.05 -	103	1796	4	Z 18 XER/A 18 XER	CL221	1	CP062	4	rail coil
Zafira C Tourer (P12)										
1.4	10.11 -	88	1364	4	B 14 NEL/A 14 NEL	CL238	1			rail coil
1.4	10.11 -	103	1364	4	A 14 NET/B 14 NET	CL238	1			rail coil
1.4 LPG	10.11 -	103	1364	4	A 14 NET/B 14 NET	CL238	1			rail coil
1.6 CNG	10.11 -	110	1598	4	A 16 XNT/B 16 XNT	CL221	1	CP062	4	rail coil
1.6 SIDI	12.12 -	125	1598	4	A 16 XHT	CL240	4			pencil
1.8	10.11 -	103	1796	4	A 18 XER	CL233	1			rail coil
1.8	10.11 -	85	1796	4	A 18 XEL	CL233	1			rail coil
1.8	10.11 -	88	1796	4	A 18 XEL	CL233	1			rail coil
PEUGEOT										
106 I (1A, 1C)										
1.0	09.91 - 04.96	33	954	4	TU9/CDY (TU9M)	CL106	1			PIN
						CL109	1			SAE
1.0	09.91 - 04.96	37	954	4	CDZ (TU9M)	CL106	1			
1.1	09.91 - 04.96	44	1124	4	HDZ (TU1M)	CL106	1			PIN
						CL109	1			SAE
1.3	10.93 - 04.96	72	1294	4	TU2J2	CL106	1			
1.4	08.91 - 03.96	51	1360	4	K5A (TU3)	CL109	1			
1.4	03.94 - 04.96	55	1361	4	KDX (TU3MC)	CL106	1			PIN / engine code
				4	KDY (TU3M)	CL109	1			SAE / engine code
1.4	09.91 - 04.96	69	1361	4	KFZ (TU3J2/Z)	CL106	1			
1.6	06.93 - 04.96	65	1587	4	NFZ (TU5JP)	CL106	1			
1.6	01.94 - 04.96	76	1587	4	NFY (TU5J2)	CL106	1			
106 II (1)										
1.0 i	05.96 -	33	954	4	CDY (TU9M)	CL107	1			
1.0 i	01.97 -	37	954	4	CDZ (TU9M)	CL107	1			
1.1 i	01.97 - 06.00	40	1124	4	HDY (TU1M)	CL107	1			coil 4xPIN / year
	06.00 -	40	1124	4	HDY (TU1M)	CL111	1	CP069	4	rail coil / year
1.1 i	05.96 -	44	1124	4	HDZ (TU1M)	CL107	1			coil 4xPIN / engine code
				4	HFX (TU1JP)	CL111	1	CP069	4	rail coil / engine code
1.4 i	05.96 - 06.97	55	1360	4	KFX (TU3JP)/KFW (TU3JP)	CL107	1			coil 4xPIN / year
	06.97 - 06.00	55	1360	4	KFX (TU3JP)/KFW (TU3JP)	CL110	1			1 st rail coil / year
	06.00 -	55	1360	4	KFX (TU3JP)/KFW (TU3JP)	CL111	1	CP069	4	2 nd rail coil / year
1.6 i	05.96 -	65	1587	4	NFZ (TU5JP)	CL106	1			
1.6 i	05.96 -	74	1587	4	NFW (TU5J2)/NFY (TU5J2)	CL106	1			
1.6 S16	05.96 -	87	1587	4	NFX (TU5J4)	CL127	1	CP073	4	1 st rail coil OEM No. 5970.56
						CL141	1	CP073	4	2 nd rail coil OEM No. 5970.81
107										
1.0	06.05 -	50	998	3	1KR (384 F)	CL555	3	CP042	3	pencil
1007 (KM)										
1.4	04.05 -	54	1360	4	KFV (TU3JP)	CL111	1	CP069	4	1 st rail coil OEM No. 5970.78
						CL120	1	CP069	4	2 nd rail coil OEM No. 5970.90
1.4 16V	10.05 -	65	1360	4	KFU (ET3J4)	CL151	1			rail coil
1.6 16V	04.05 -	80	1587	4	NFU (TU5JP4)	CL104	1	CP068	4	rail coil
108										
1.2	05.14 -	60	1199	3	HMT (EB2D)	CL157	3			pencil

model	year	kW	cm ³	cyl	engine	coil	pcs	boot	pcs	info
PEUGEOT										
205 I Cabriolet (741B, 20D)										
1.1 CJ	10.89 - 12.94	44	1124	4	HDZ (TU1M)	CL108	1			
1.4	08.87 - 06.94	62	1360	4	K2B (TU3S)	CL108	1			
1.4 CJ	03.89 - 12.94	49	1360	4	K1D (TU3A)	CL108	1			
1.4 CJ	05.91 - 12.94	55	1361	4	KDZ (TU3M)/KDY (TU3M)	CL108	1			
1.4 CJ cat	01.89 - 09.93	44	1361	4	KAY (TU3CP)	CL108	1			
1.6 CJ	08.92 - 12.94	65	1580	4	BDY (XU5M3Z)	CL107	1			
1.9 CTI	01.91 - 10.94	75	1905	4	DFZ (XU9J1)	CL108	1			
205 II (20A/C)										
1.0	10.87 - 09.98	33	954	4	TU9	CL108	1			
1.1	10.87 - 10.90	40	1124	4	H1B (TU1)	CL108	1			
1.1	07.89 - 09.98	44	1124	4	HDZ (TU1M)	CL108	1			
1.4	10.87 - 10.90	49	1360	4	K1D (TU3A)	CL108	1			
1.4	07.88 - 09.98	55	1361	4	KFX/KDZ/KDY (TU3M)	CL108	1			
1.4	06.87 - 12.89	62	1360	4	K2B (TU3S)	CL108	1			
1.4 cat	08.87 - 09.93	44	1360	4	KAY (TU3CP)	CL108	1			
1.6	10.87 - 09.98	53	1580	4	B1E (XU51C)	CL114	1			
1.6	01.90 - 09.98	55	1580	4	B1A (XU51C)	CL114	1			
1.6 Aut.	05.90 - 09.98	65	1580	4	BDY (XU5M2Z)/BDY (XU5M3Z)	CL107	1			
1.9 GTI	01.91 - 10.94	88	1905	4	DKZ (XU9JAZ)	CL108	1			
1.9 GTI	01.91 - 09.98	94	1905	4	D6B (XU9JA)	CL108	1			
206 CC (2A/C)										
1.1	08.98 - 07.00	40	1124	4		CL110	1			rail coil
1.1 i	09.98 -	44	1124	4	HFZ (TU1JP)/HFX (TU1JP)	CL107	1			coil 4xPIN
						CL111	1	CP069	4	rail coil
1.4 16V	10.03 -	65	1360	4	KFU (ET3J4)	CL151	1			rail coil
1.4 i	09.98 - 02.00	55	1360	4	KFX (TU3JP)/KFW (TU3JP)	CL110	1	CP069	4	1 st rail coil / year
	03.00 - 02.09	55	1360	4	KFX (TU3JP)/KFW (TU3JP)	CL111	1	CP069	4	2 nd rail coil / year
	09.98 -	55	1360	4	KFX (TU3JP)/KFW (TU3JP)	CL120	1	CP069	4	3 rd rail coil OEM No. 5970.90
1.6 16V	12.00 -	80	1587	4	NFU (TU5JP4)	CL104	1	CP068	4	rail coil
1.6 i	09.98 - 12.00	65	1587	4	NFZ (TU5JP)	CL110	1	CP069	4	rail coil
2.0 RC	07.03 -	130	1997	4	RFK (EW10J4S)	CL112	1	CP073	4	rail coil
2.0 S16	04.99 - 10.00	99	1997	4	RFR (DEW10J4)	CL112	1	CP073	4	rail coil
2.0 S16	06.99 -	100	1997	4	RFN (EW10J4)	CL112	1	CP073	4	rail coil
206 CC (2D)										
1.6 16V	09.00 -	80	1587	4	NFU (TU5JP4)	CL104	1	CP068	4	rail coil
2.0 S16	09.00 -	100	1997	4	RFN (EW10J4)	CL112	1	CP073	4	rail coil
206 Sedan										
1.4	03.07 -	55	1360	4	KFV (TU3A)/KFW (TU3JP)	CL120	1	CP069	4	rail coil
1.6 16V	03.07 -	80	1587	4	NFU (TU5JP4)	CL104	1	CP068	4	rail coil
206 SW (2E/K)										
1.1	07.02 -	44	1124	4	HFX (TU1JP)	CL111	1	CP069	4	rail coil
1.4	07.02 -	55	1360	4	KFV (TU3A)/KFW (TU3JP)	CL111	1	CP069	4	rail coil
1.4 16V	10.03 -	65	1360	4	KFU (ET3J4)	CL111	1	CP069	4	1 st rail coil OEM No. 5970.78
						CL151	1			2 nd rail coil OEM No. 5970.85
1.6 16V	07.02 -	80	1587	4	NFU (TU5JP4)	CL104	1	CP068	4	rail coil
2.0 16V	07.02 -	100	1997	4	RFN (EW10J4)	CL112	1	CP073	4	rail coil
206+ (T3E)										
1.1	01.09 -	44	1124	4	HFX (TU1JP)/TU1AE5	CL120	1	CP069	4	rail coil
1.4 i	01.09 -	55	1360	4	KFV (TU3A)/KFW (TU3A)	CL120	1	CP069	4	rail coil
1.6 16V	07.10 -	80	1587	4	NFU (TU5JP4)	CL104	1	CP068	4	rail coil
207 (WA , WC)										
1.4	02.06 -	53	1360	4	KFV (TU3A)	CL120	1	CP069	4	rail coil
1.4 16V	02.06 -	65	1360	4	KFU (ET3J4)	CL151	1			rail coil
1.4 16V	06.07 -	70	1397	4	EP3C/8FS (EP3)/EP3	CL603	4			pencil
1.6 16V	02.06 -	80	1587	4	NFU (TU5JP4)	CL104	1	CP068	4	rail coil
1.6 16V Turbo	10.09 -	115	1598	4	5FR (EP6DT)	CL603	4			pencil
1.6 16V VTi	02.07 -	88	1598	4	5FS (EP6C)/EP6	CL603	4			pencil
207 CC (WD)										
1.6 16V	02.07 -	88	1598	4	5FS (EP6C)/EP6	CL603	4			pencil
1.6 16V Turbo	10.09 -	115	1598	4	5FR (EP6DT)	CL603	4			pencil
207 SW (WK)										
1.4	06.07 -	54	1360	4	KFV (TU3A)	CL120	1	CP069	4	rail coil
1.4 16V	06.07 -	70	1397	4	EP3C/8FS (EP3)/EP3	CL603	4			pencil
1.6 16V	06.07 -	88	1598	4	5FS (EP6C)/EP6	CL603	4			pencil
208										
1.0	03.12 -	50	999	3	ZMZ (EB0)	CL157	3			pencil
1.2	03.12 -	60	1199	3	HMZ (EB2F)	CL157	3			pencil
1.2 THP	01.13 -	81	1199	3	HNZ (EB2DT)	CL158	3			pencil
1.4	03.12 -	70	1397	4	EP3C/8FS (EP3)	CL603	4			pencil
1.6	03.12 -	88	1598	4	5FS (EP6C)	CL603	4			pencil
1.6	03.12 -	115	1598	4	EP6CDT/5FV (EP6DT)	CL603	4			pencil



model	year	kW	cm ³	cyl	engine	coil	pcs	boot	pcs	info
PEUGEOT										
208										
1.6THP 165	03.15 -	121	1598	4		CL603	4			pencil
2008										
1.2THP 110	01.15 -	81	1199	3	HNZ (EB2DT)	CL158	3			pencil
1.2THP 130	01.15 -	96	1199	3	HNY (EB2DTS)	CL158	3			pencil
1.2VTi	03.13 -	60	1199	3	HMZ (EB2F)	CL157	3			pencil
1.6VTi	03.13 -	88	1598	4	SFS (EP6C)	CL603	4			pencil
301										
1.2VTi 72	11.12 -	53	1199	3	HMY (EB2M)	CL157	3			pencil
1.6VTi 115	11.12 -	85	1587	4	NFP (EC5)	CL156	1			rail coil
306 (7B, N3, N5)										
1.1	06.94 - 05.01	44	1124	4	HDZ (TU1M)	CL106	1			
1.4 SL	06.94 - 06.97	55	1360	4	KDX/KFX/KFW	CL106	1			coil 4x PIN / year
	06.97 - 05.00	55	1360	4	KDX/KFX/KFW	CL110	1			1 st rail coil / year
	06.00 - 05.01	55	1360	4	KDX/KFX/KFW	CL111	1	CP069	4	2 nd rail coil / year
1.6	10.00 - 05.01	72	1587	4	NFT	CL111	1	CP069	4	rail coil
1.6 SR	06.94 - 06.98	65	1587	4	NFZ (TU5JP)	CL106	1			coil 4x PIN / year
	07.98 - 10.00	65	1587	4	NFZ (TU5JP)	CL110	1	CP069	4	rail coil / year
1.8 16V	03.97 - 05.01	81	1761	4	LFY (XU7JP4)	CL107	1			coil 4x PIN
	09.97 - 05.01	81	1761	4	LFY (XU7JP4)	CL115	1			rail coil / year
1.8 ST	06.94 - 05.01	74	1762	4	LFZ (XU7JP)	CL107	1			
2.0	03.97 - 05.01	97	1998	4	RFV (XU10J4R)	CL107	1			coil 4x PIN
	03.97 - 09.97	97	1998	4	RFV (XU10J4R)	CL113	1			1 st rail coil / year
	09.97 - 05.01	97	1998	4	RFV (XU10J4R)	CL115	1			2 nd rail coil / year
2.0 S16	06.94 - 05.01	110	1998	4	RFT (XU10J4)	CL105	4			pencil
2.0 S16	06.94 - 05.01	112	1998	4	RFY (XU10J4Z)	CL105	4			pencil
2.0 ST	07.94 - 05.01	89	1998	4	RFX (XU10J2)	CL107	1			
306 Break (7E, N3, N5)										
1.4	03.97 - 05.98	55	1360	4	KFX (TU3JP)/KFW (TU3JP)	CL107	1			coil 4xPIN / year
	06.98 - 06.00	55	1360	4	KFX (TU3JP)/KFW (TU3JP)	CL110	1	CP069	4	1 st rail coil / year
	03.97 - 04.02	55	1360	4	KFX (TU3JP)/KFW (TU3JP)	CL111	1	CP069	4	2 nd rail coil / year
1.6	03.97 - 07.98	65	1587	4	NFZ (TU5JP)	CL106	1			coil 4xPIN / year
	07.98 - 10.00	65	1587	4	NFZ (TU5JP)	CL110	1	CP069	4	rail coil / year
1.6	10.00 - 04.02	72	1587	4	NFT	CL111	1	CP069	4	rail coil
1.8	03.97 - 04.02	74	1762	4	LFZ (XU7JP)	CL107	1			
1.8 16V	03.97 - 04.02	81	1761	4	LFY (XU7JP4)	CL107	1			coil 4xPIN
						CL115	1			rail coil
2.0	03.97 - 04.02	97	1998	4	RFV (XU10J4R)	CL107	1			coil 4xPIN
						CL115	1			rail coil
306 Cabriolet (7D, N3, N5)										
1.6	04.96 - 10.00	65	1587	4	NFZ (TU5JP)	CL106	1			
1.6	10.00 - 04.02	72	1587	4	NFT	CL111	1	CP069	4	rail coil
1.8	03.94 - 04.02	74	1762	4	LFZ (XU7JP)	CL107	1			
1.8 16V	07.00 - 04.02	81	1761	4	LFY (XU7JP4)	CL107	1			coil 4x PIN
						CL115	1			rail coil
2.0	03.94 - 04.02	89	1998	4	RFX (XU10J2)	CL107	1			
2.0 16V	03.97 - 04.02	97	1998	4	RFV (XU10J4R)	CL107	1			coil 4x PIN
	03.97 - 09.97	97	1998	4	RFV (XU10J4R)	CL113	1			1 st rail coil / year
	09.97 - 04.02	97	1998	4	RFV (XU10J4R)	CL115	1			2 nd rail coil / year
306 CC (7A, 7C, N3, N5)										
1.1	05.93 - 05.01	44	1124	4	HDZ (TU1M)	CL106	1			
1.4	05.93 - 05.97	55	1360	4	KDX/KFX/KFW	CL106	1			coil 4x PIN / year
	06.97 - 05.01	55	1360	4	KDX/KFX/KFW	CL111	1	CP069	4	rail coil / year
1.6	05.93 - 10.00	65	1587	4	NFZ (TU5JP)	CL106	1			
1.6	10.00 - 05.01	72	1587	4	NFT	CL111	1	CP069	4	rail coil
1.8	05.93 - 05.01	74	1762	4	LFZ (XU7JP)	CL107	1			
1.8 16V	03.97 - 05.01	81	1761	4	LFY (XU7JP4)	CL107	1			coil 4x PIN
						CL115	1			rail coil
2.0 16V	03.97 - 05.01	97	1998	4	RFV (XU10J4R)	CL107	1			coil 4x PIN
	03.97 - 09.97	97	1998	4	RFV (XU10J4R)	CL113	1			1 st rail coil / year
	09.97 - 05.01	97	1998	4	RFV (XU10J4R)	CL115	1			2 nd rail coil / year
2.0 S16	06.94 - 05.01	110	1998	4	RFT (XU10J4)	CL105	4			pencil
2.0 S16	05.93 - 05.01	112	1998	4	RFY (XU10J4Z)	CL105	4			pencil
2.0 S16	03.96 - 05.01	120	1998	4	RFS (XU10J4RS)	CL132	4			pencil
2.0 XSi	05.93 - 05.01	89	1998	4	RFX (XU10J2)	CL107	1			
307 (3A/C)										
1.4	08.00 -	55	1360	4	KFW (TU3JP)	CL111	1	CP069	4	rail coil
1.4 16V	11.03 -	65	1360	4	KFU (ET3J4)	CL151	1			rail coil
1.6 16V	08.00 -	80	1587	4	NFU (TU5JP4)	CL104	1	CP068	4	rail coil
2.0 16V	08.00 -	100	1997	4	RFN (EW10J4)	CL112	1	CP073	4	rail coil
2.0 16V	03.05 -	103	1997	4	RFJ (EW10A)	CL138	1			rail coil
2.0 16V	06.05 -	130	1997	4	RFK (EW10J4S)	CL133	1	CP073	4	rail coil

model	year	kW	cm ³	cyl	engine	coil	pcs	boot	pcs	info
PEUGEOT										
307 Break (3E)										
1.4 16V	11.03 -	65	1360	4	KFU (ET3J4)	CL111	1	CP069	4	1 st rail coil OEM No. 5970.78
						CL151	1			2 nd rail coil OEM No. 5970.85
1.6 16V	03.02 -	80	1587	4	NFU (TU5JP4)	CL104	1	CP068	4	rail coil
2.0	03.02 -	100	1997	4	RFN (EW10J4)	CL112	1	CP073	4	rail coil
2.0 16V	03.05 -	103	1997	4	RFJ (EW10A)	CL138	1			rail coil
2.0 16V	06.05 -	130	1997	4	RFK (EW10J4S)	CL133	1	CP073	4	rail coil
307 CC (3B)										
1.6 16V	02.05 -	80	1587	4	NFU (TU5JP4)	CL104	1	CP068	4	rail coil
2.0 16V	10.03 -	100	1997	4	RFN (EW10J4)	CL112	1	CP073	4	rail coil
2.0 16V	10.03 -	130	1997	4	RFK (EW10J4S)	CL133	1	CP073	4	rail coil
2.0 16V	03.05 -	103	1997	4	RFJ (EW10A)	CL138	1			rail coil
307 SW (3H)										
1.4 16V	11.03 -	65	1360	4	KFU (ET3J4)	CL111	1	CP069	4	1 st rail coil OEM No. 5970.78
						CL151	1			2 nd rail coil OEM No. 5970.85
1.6 16V	03.02 -	80	1587	4	NFU (TU5JP4)	CL104	1	CP068	4	rail coil
2.0 16V	03.02 -	100	1997	4	RFN (EW10J4)	CL112	1	CP073	4	rail coil
2.0 16V	03.05 -	103	1997	4	RFJ (EW10A)	CL138	1			rail coil
308 (4A, 4C)										
1.4 16V	09.07 -	70	1397	4	8FS (EP3)/EP3	CL603	4			pencil
1.4 16V	12.09 -	72	1397	4		CL603	4			pencil
1.6 16V	09.07 -	88	1598	4	EP6	CL603	4			pencil
1.6 16V	09.07 -	103	1598	4	5FT (EP6DT)	CL603	4			pencil
1.6 16V	10.09 -	115	1598	4	EP6CDT	CL603	4			pencil
1.6 Bioflex	04.08 -	80	1587	4	NFU (TU5JP4)	CL104	1	CP068	4	rail coil
308 CC										
1.6 16V	06.09 -	88	1598	4	EP6	CL603	4			pencil
1.6 16V	06.09 -	103	1598	4	5FT (EP6DT)	CL603	4			pencil
1.6 16V	06.09 -	115	1598	4	EP6CDT	CL603	4			pencil
308 II										
1.2 THP 130	11.13 -	96	1199	3	HNY (EB2DTS)	CL158	3			pencil
1.2 VTi 72	09.13 -	60	1199	3	HMZ (EB2F)	CL157	3			pencil
1.6	09.13 -	115	1598	4		CL603	4			pencil
1.6 VTi	03.14 -	85	1598	4		CL156	1			rail coil
308 SW										
1.4 16V	09.07 -	70	1397	4	8FS (EP3)	CL603	4			pencil
1.4 16V	12.09 -	72	1397	4		CL603	4			pencil
1.6 16V	09.07 -	88	1598	4	EP6	CL603	4			pencil
1.6 Bioflex	03.09 -	82	1587	4	NFU (TU5JP4)	CL104	1	CP068	4	rail coil
308 SW II										
1.2 THP 110	03.14 -	81	1199	3	HNZ (EB2DT)	CL158	3			pencil
1.2 THP 130	03.14 -	96	1199	3	HNY (EB2DTS)	CL158	3			pencil
1.6 VTi	03.14 -	85	1598	4		CL156	1			rail coil
3008										
1.6 THP	06.09 -	115	1598	4	5FV (EP6DT)	CL603	4			pencil
1.6 VTi	06.09 -	88	1598	4	5FS (EP6C)/EP6	CL603	4			pencil
309 I (10C, 10A)										
1.4	03.89 - 07.89	49	1360	4	K1D (TU3A)	CL108	1			
1.4	03.89 - 07.89	55	1360	4	KDZ (TU3M)/KDY (TU3M)	CL108	1			
1.4	03.89 - 07.89	62	1360	4	K2B (TU3S)	CL108	1			
1.6	01.86 - 07.89	69	1592	4		CL114	1			
1.6	11.85 - 09.88	76	1580	4	180Z (XU5J)/B6B (XU5J)	CL108	1			
309 II (3C, 3A)										
1.1	08.90 - 12.93	44	1124	4	HDZ (TU1M)	CL108	1			ignition system Bosch
						CL114	1			ignition system Marelli
1.4	07.90 - 12.93	49	1361	4	K1D (TU3A)	CL108	1			
1.4	07.89 - 12.93	55	1361	4	KDZ (TU3M)/KDY (TU3M)	CL108	1			
1.6	07.89 - 12.93	65	1580	4	BDZ (XU5M)/BDY (XU5M3Z)	CL107	1			PIN
						CL114	1			SAE
1.6	07.89 - 12.93	68	1580	4	B2A (XU52C/K)	CL114	1			
1.6	07.89 - 12.93	69	1580	4	B2A (XU52C/K)	CL114	1			
1.9	01.91 - 12.93	72	1905	4	DFZ (XU9J1)	CL108	1			
1.9 GTI	12.89 - 12.93	88	1905	4	DKZ (XU9JAZ)	CL108	1			
1.9 GTI 16V	10.90 - 12.93	108	1905	4	DFW (XU9J4Z)	CL114	1			
1.9 GTI 16V	08.89 - 07.90	116	1905	4	D6C (XU9J4)	CL114	1			
405 I (15B)										
1.4	01.87 - 07.92	47	1360	4	K5A (TU3)	CL108	1			
1.6	07.87 - 12.92	53	1580	4	B1E (XU51C)	CL114	1			
1.6	07.87 - 06.88	55	1580	4	B1E (XU51C)/BAZ (XU5CP)	CL114	1			
1.6	07.87 - 09.90	65	1580	4	BDY (XU5M2Z)/BDZ (XU5M)	CL114	1			SAE / year
	09.90 - 12.92	65	1580	4	BDY (XU5M2Z)/BDZ (XU5M)	CL107	1			PIN / year
1.6	10.89 - 12.92	66	1580	4	BDZ (XU5M)	CL114	1			

model	year	kW	cm ³	cyl	engine	coil	pcs	boot	pcs	info
PEUGEOT										
405 I (15B)										
1.6	01.87 - 12.92	69	1580	4	B2A (XU52C/K)	CL114	1			
1.6 4x4	04.88 - 07.92	65	1580	4	BDZ (XU5M)	CL114	1			
1.9	07.87 - 12.92	70	1905	4	D2C (XU92C)	CL114	1			
1.9	07.88 - 12.92	88	1905	4	DKZ (XU9JAZ)	CL114	1			
1.9 Sport MI-16	04.88 - 12.92	108	1905	4	DFW (XU9J4Z)	CL114	1			
1.9 Sport MI-16	07.87 - 11.91	116	1905	4	D6C (XU9J4)	CL114	1			
1.9 Sport MI-16 4x4	04.88 - 12.92	108	1905	4	DFW (XU9J4Z)	CL114	1			
405 I Break (15E)										
1.6	10.88 - 08.92	55	1580	4	BAZ (XU5CP)	CL114	1			
1.6	10.88 - 09.90	65	1580	4	BDZ (XU5M)/BDY (XU5M3Z)	CL114	1			SAE / year
	10.90 - 08.92	65	1580	4	BDZ (XU5M)/BDY (XU5M3Z)	CL107	1			PIN / year
1.6	10.88 - 08.92	66	1580	4	BDZ (XU5M)	CL114	1			
1.6 SRi 4x4	04.88 - 07.92	65	1580	4	BDZ (XU5M)	CL114	1			
1.9	10.88 - 08.92	70	1905	4	D2C (XU92C)	CL114	1			
1.9	10.88 - 08.92	88	1905	4	DKZ (XU9JAZ)	CL114	1			
405 II (4B)										
1.4	08.92 - 10.95	55	1361	4	KDX (TU3MC)	CL106	1			
1.6	08.92 - 10.95	65	1580	4	BFZ/BDY	CL107	1			
1.8	08.92 - 10.95	74	1762	4	LFZ (XU7JP)	CL107	1			
2.0	08.92 - 10.95	89	1998	4	RFX (XU10J2)	CL107	1			
2.0 T 16 X4	08.92 - 10.95	144	1998	4	RGZ (XU10J4TE/Z)	CL105	4			pencil
2.0 X4	08.92 - 10.95	89	1998	4	RFX (XU10J2)	CL107	1			
405 II Break (4E)										
1.4	08.92 - 10.96	55	1361	4	KDX (TU3MC)	CL106	1			
1.6	08.92 - 10.96	65	1580	4	BFZ/BDY	CL107	1			
1.8	08.92 - 10.96	74	1762	4	LFZ (XU7JP)	CL107	1			
2.0	08.92 - 10.96	89	1998	4	RFX (XU10J2)	CL107	1			
2.0 4x4	08.92 - 10.96	89	1998	4	RFX (XU10J2)	CL107	1			
2.0 4x4	08.92 - 12.95	144	1998	4	RGZ (XU10J4TE/Z)	CL105	4			pencil
406 (8B)										
1.6	11.95 - 05.04	65	1580	4	BFZ (XU5JP)	CL107	1			
1.8	05.97 - 05.04	66	1761	4	LFX (XU7JB)	CL107	1			
1.8 16V	11.95 - 03.99	81	1761	4	LFY (XU7JP4)	CL107	1			coil 4xPIN / year
	09.97 - 10.00	81	1761	4	LFY (XU7JP4)	CL115	1			rail coil / year
1.8 16V	10.00 - 05.04	85	1749	4	6FZ (EW7J4)	CL112	1	CP073	4	rail coil
2.0 16V	11.95 - 05.04	97	1998	4	RFV (XU10J4R)	CL107	1			coil 4xPIN
	11.95 - 09.97	97	1998	4	RFV (XU10J4R)	CL113	1			1 st rail coil / year
	09.97 - 05.04	97	1998	4	RFV (XU10J4R)	CL115	1			2 nd rail coil / year
2.0 16V	01.99 - 08.00	99	1997	4	RFR (DEW10J4)	CL112	1	CP073	4	rail coil
2.0 16V	08.00 - 06.04	100	1997	4	RFN (EW10J4)	CL112	1	CP073	4	rail coil
2.0 16V HPI	05.01 - 05.04	103	1997	4	RLZ (EW10D)	CL154	1			rail coil
2.0 Turbo	04.96 - 05.04	108	1998	4	RGX (XU10J2TE)	CL107	1			
2.2	07.00 - 05.04	116	2230	4	3FZ (EW12J4)	CL133	1	CP073	4	rail coil
3.0 24V	10.96 - 05.04	140	2946	6	XFZ (ES9J4)	CL140	1			rail coil for 3 cylinders
3.0 V6	03.00 - 05.04	152	2946	6	XFZ (ES9J4S)	CL135	6			pencil
406 Break (8E/F)										
1.8	05.97 - 10.04	66	1761	4	LFX (XU7JB)	CL107	1			
1.8 16V	10.96 - 03.99	81	1761	4	LFY (XU7JP4)	CL107	1			coil 4xPIN / year
	09.97 - 10.00	81	1761	4	LFY (XU7JP4)	CL115	1			rail coil / year
1.8 16V	10.00 - 10.04	85	1749	4	6FZ (EW7J4)	CL112	1	CP073	4	rail coil
2.0 16V	10.96 - 03.97	97	1998	4	RFV (XU10J4R)	CL107	1			coil 4xPIN / year
	11.96 - 11.97	97	1998	4	RFV (XU10J4R)	CL113	1			1 st rail coil / year
	09.97 - 04.04	97	1998	4	RFV (XU10J4R)	CL115	1			2 nd rail coil / year
2.0 16V	01.99 - 10.00	99	1997	4	RFR (DEW10J4)	CL112	1	CP073	4	rail coil
2.0 16V	10.00 - 10.04	100	1997	4	RFN (EW10J4)	CL112	1	CP073	4	rail coil
2.0 16V HPI	05.01 - 10.04	103	1997	4	RLZ (EW10D)	CL154	1			rail coil
2.0 Turbo	10.96 - 10.04	108	1998	4	RGX (XU10J2TE)	CL107	1			
2.2	07.00 - 10.04	116	2230	4	3FZ (EW12J4)	CL133	1	CP073	4	rail coil
3.0 24V	10.96 - 10.04	140	2946	6	XFZ (ES9J4)	CL140	1			rail coil for 3 cylinders
3.0 V6	03.00 - 10.04	152	2946	6	XFZ (ES9J4S)	CL135	6			pencil
406 Coupe (8C)										
2.0 16V	03.97 - 12.04	97	1998	4	RFV (XU10J4R)	CL107	1			coil 4xPIN
	05.97 - 09.97	97	1998	4	RFV (XU10J4R)	CL113	1			1 st rail coil / year
	05.97 - 04.99	97	1998	4	RFV (XU10J4R)	CL115	1			2 nd rail coil / year
2.0 16V	01.99 - 10.00	99	1997	4	RFR (DEW10J4)	CL112	1	CP073	4	rail coil
2.0 16V	10.00 - 12.04	100	1997	4	RFN (EW10J4)	CL112	1	CP073	4	rail coil
2.2	03.02 - 12.04	116	2230	4	3FZ (EW12J4)	CL133	1	CP073	4	rail coil
3.0 V6	03.00 - 12.04	152	2946	6	XFZ (ES9J4S)	CL135	6			pencil
3.0 V6 24V	03.97 - 12.04	140	2946	6	XFZ (ES9J4)	CL140	1			rail coil for 3 cylinders

model	year	kW	cm ³	cyl	engine	coil	pcs	boot	pcs	info
PEUGEOT										
407 (6D_)										
1.8	05.04 -	85	1749	4	6FZ (EW7J4)	CL112	1	CP073	4	rail coil
1.8 16V	09.05 -	92	1749	4	6FY (EW7A)	CL138	1			rail coil
2.0	05.04 -	100	1997	4	RFN (EW10J4)	CL112	1	CP073	4	rail coil
2.0 16V	09.05 -	103	1997	4	RFJ (EW10A)	CL138	1			rail coil
2.0 Bioflex	09.07 -	103	1997	4	RFJ (EW10A)	CL138	1			rail coil
2.2	05.04 -	116	2230	4	3FZ (EW12J4)	CL133	1	CP073	4	1 st rail coil OEM No. 5970.84
						CL139	1	CP073	4	2 nd rail coil OEM No. 5970.92
3.0	05.04 -	155	2946	6	XFV (ES9A)	CL135	6			pencil
407 Coupe (6C_)										
2.2 16V	10.05 -	120	2230	4	3FY (EW12J4)	CL133	1	CP073	4	rail coil
3.0 V6	10.05 -	155	2946	6	XFV (ES9A)	CL135	6			pencil
407 SW (6E_)										
1.8	05.04 -	85	1749	4	6FZ (EW7J4)	CL112	1	CP073	4	rail coil
1.8 16V	09.05 -	92	1749	4	6FY (EW7A)	CL138	1			rail coil
2.0	05.04 -	100	1997	4	RFN (EW10J4)	CL112	1	CP073	4	rail coil
2.0 16V	09.05 -	103	1997	4	RFJ (EW10A)	CL138	1			rail coil
2.2	05.04 -	116	2230	4	3FZ (EW12J4)	CL133	1	CP073	4	rail coil
3.0	05.04 -	155	2946	6	XFV (ES9A)	CL135	6			pencil
4007										
2.4 16V	01.08 -	125	2360	4		CL927	4			pencil
4008										
1.6	05.12 -	86	1590	4	4A92	CL929	4			pencil
508										
1.6 THP	11.10 -	115	1598	4	EP6CDT	CL603	4			pencil
1.6 VTi	11.10 -	88	1598	4	5FS (EP6C)	CL603	4			pencil
508 SW										
1.6 THP	11.10 -	115	1598	4	EP6CDT	CL603	4			pencil
1.6 VTi	11.10 -	88	1598	4	5FS (EP6C)	CL603	4			pencil
5008										
1.6 16V	09.09 -	88	1598	4	5FS (EP6C)/EP6	CL603	4			pencil
1.6 16V	09.09 -	115	1598	4	EP6CDT	CL603	4			pencil
605 (6B)										
2.0	02.90 - 09.99	79	1998	4		CL129	1			
2.0	06.89 - 09.99	84	1998	4	R5A (XU102C)	CL129	1			
2.0	06.89 - 09.90	89	1998	4	RFZ (XU10J2Z)	CL109	1			SAE / year
					RFZ (XU10J2Z)	CL107	1			PIN / year
2.0 16V	07.94 - 05.99	97	1998	4	RFV (XU10J4R)	CL113	1			1 st rail coil / year
					RFV (XU10J4R)	CL115	1			2 nd rail coil / year
2.0 Turbo	07.92 - 09.99	104	1998	4	RGY (XU10J2TE)	CL107	1			
2.0 Turbo	07.91 - 09.99	108	1998	4	RGX (XU10J2TE)	CL107	1			
3.0 V6	04.97 - 09.99	140	2946	6	XFZ (ES9J4)	CL140	1			rail coil for 3 cylinders
607 (9D, 9U)										
2.0	02.00 -	100	1997	4	RFN (EW10J4)	CL112	1	CP073	4	rail coil
2.2 16V	02.00 -	116	2230	4	3FZ (EW12J4)	CL133	1	CP073	4	1 st rail coil OEM No. 5970.84
						CL139	1	CP073	4	2 nd rail coil OEM No. 5970.92
3.0 V6 24V	02.00 -	152	2946	6	XFX (ES9J4S)	CL135	6			pencil
3.0 V6 24V	03.04 -	155	2946	6	XFV (ES9A)	CL135	6			pencil
806 (221)										
1.8	07.95 - 08.02	73	1761	4	LFW (XU7JP)	CL107	1			
2.0	06.94 - 08.02	89	1998	4	RFU (XU10J2)	CL107	1			
2.0 16V	05.98 - 09.00	97	1998	4	RFV (XU10J4R)	CL107	1			coil 4xPIN
						CL115	1			rail coil
2.0 16V	09.00 - 08.02	100	1997	4	RFN (EW10J4)	CL112	1	CP073	4	rail coil
2.0 Turbo	06.94 - 08.02	108	1998	4	RGX (XU10J2TE)	CL107	1			
807 (E)										
2.0	06.02 -	100	1997	4	RFN (EW10J4)	CL112	1	CP073	4	rail coil
2.0 16V	09.05 -	103	1997	4	RFJ (EW10A)	CL138	1			rail coil
2.2	06.02 -	116	2230	4	3FZ (EW12J4)	CL133	1	CP073	4	1 st rail coil OEM No. 5970.84
						CL139	1	CP073	4	2 nd rail coil OEM No. 5970.92
3.0 V6	06.02 -	150	2946	6	XFX (ES9J4S)	CL135	6			pencil
Bipper (AA_)										
1.4	02.08 -	54	1360	4	KFV (TU3A)	CL120	1	CP069	4	rail coil
Bipper Tepee										
1.4	04.08 -	54	1360	4	KFV (TU3A)	CL120	1	CP069	4	rail coil
Boxer Bus (230P)										
2.0 i	03.94 - 04.02	80	1998	4	RFW (XU10J2)	CL107	1			
2.0 i 4x4	08.96 - 04.02	80	1998	4	RFW (XU10J2)	CL107	1			
Boxer Bus (244, Z_)										
2.0	04.02 -	81	1998	4	RFL (XU10J2U)	CL107	1			

model	year	kW	cm ³	cyl	engine	coil	pcs	boot	pcs	info
PEUGEOT										
Boxer Flatbed (ZCT)										
2.0	12.01 - 04.02	81	1998	4	RFL (XU10J2U)	CL107	1			
2.0 i	06.94 - 04.02	80	1998	4	RFW (XU10J2)	CL107	1			
Boxer Van (230L)										
2.0 4x4	03.96 - 09.98	80	1998	4		CL107	1			
2.0 i	06.94 - 04.02	80	1998	4	RFW (XU10J2)	CL107	1			
Boxer Van (244)										
2.0	04.02 -	81	1998	4	RFL (XU10J2U)	CL107	1			
Expert (224)										
1.6	02.96 -	58	1581	4	222A2 (1580 SPI)	CL302	1			
1.8	10.96 - 09.00	74	1761	4	LFZ (XU7JP)	CL107	1			
2.0	07.00 -	100	1997	4	RFN (EW10J4)	CL112	1	CP073	4	rail coil
Expert Flatbed (223)										
1.6	02.96 -	58	1581	4	222A2 (1580 SPI)	CL302	1			
Expert Tepee (VF3V)										
2.0 16V	01.07 -	103	1997	4	RFJ (EW10A)/RFH (EW10A)	CL138	1			rail coil
Expert Van (222)										
1.6	02.96 -	58	1581	4	222A2 (1580 SPI)	CL302	1			
1.8	10.96 - 09.00	74	1761	4	LFZ (XU7JP)	CL107	1			
2.0	09.02 -	100	1997	4	RFN (EW10J4)	CL112	1	CP073	4	rail coil
Expert Van (VF3A , VF3U , VF3X)										
2.0 16V	01.07 -	103	1997	4	RFJ (EW10A)/RFH (EW10A)	CL138	1			rail coil
Partner Combispace (5F)										
1.1	06.96 -	44	1124	4	HDZ (TU1M)/HFX (TU1JP)	CL107	1			
1.4	06.96 - 11.02	55	1360	4	KFX (TU3JP)	CL107	1			coil 4xPIN / year / engine code
	06.96 - 08.02	55	1360	4	KFX (TU3JP)	CL110	1	CP069	4	1 st rail coil / year / engine code
	09.00 -	55	1360	4	KFX/TU32/KFW (TU3JP)	CL111	1	CP069	4	2 nd rail coil / year
	09.05 -	55	1360	4	KFX/TU32/KFW (TU3JP)	CL120	1	CP069	4	3 rd rail coil / year
1.8	05.97 -	66	1761	4	LFX (XU7JB)	CL107	1			
1.6 16V	07.01 -	80	1587	4	NFU (TU5JP4)	CL104	1	CP068	4	rail coil
Partner Tepee										
1.6	04.08 -	66	1587	4	NFR (TU5JP4B)	CL104	1	CP068	4	rail coil
1.6	04.08 -	80	1587	4	NFU (TU5JP4)	CL104	1	CP068	4	rail coil
1.6	04.10 -	88	1598	4	SFS (EP6C)	CL603	4			pencil
Partner Van (5)										
1.1	06.96 -	44	1124	4	HDZ (TU1M)	CL107	1			
1.4	06.96 -	55	1360	4	KFX (TU3JP)/TU32	CL107	1			
1.4 BiFuel	04.03 -	55	1360	4	KFW (TU3JP)	CL111	1	CP069	4	rail coil
Partner Van										
1.6	04.08 -	66	1587	4	NFR (TU5JP4B)	CL104	1	CP068	4	rail coil
1.6	04.08 -	80	1587	4	NFU (TU5JP4)	CL104	1	CP068	4	rail coil
1.6	04.10 -	88	1598	4		CL603	4			pencil
RCZ										
1.6 16V	03.10 -	115	1598	4	EP6CDT	CL603	4			pencil
1.6 16V	06.10 -	147	1598	4	EP6CDTX	CL603	4			pencil
PORSCHE										
911 (996)										
3.4 Carrera	09.97 - 09.01	221	3387	6	M 96.01/M 96.04	CL625	6	CP027	6	pencil
3.4 Carrera 4	09.97 - 09.01	221	3387	6	M 96.01/M 96.04	CL625	6	CP027	6	pencil
3.6 Carrera	10.01 - 08.05	235	3596	6	M 96.03	CL625	6	CP028	6	pencil
3.6 Carrera 4	10.01 - 08.05	235	3596	6	M 96.03	CL625	6	CP027	6	pencil
3.6 Carrera S	02.03 - 08.05	254	3596	6	M 96.03	CL625	6	CP028	6	pencil
3.6 Carrera 4S	02.03 - 08.05	254	3596	6	M 96.03	CL625	6	CP028	6	pencil
3.6 GT2	04.01 - 08.05	340	3600	6	M 96.70	CL625	6	CP028	6	pencil
3.6 GT2	10.03 - 08.05	355	3600	6	M 96.70	CL625	6	CP028	6	pencil
3.6 GT3	03.99 - 08.05	265	3598	6	M 96.76	CL625	6	CP028	6	pencil
3.6 GT3	03.03 - 08.05	280	3600	6	M 96.79	CL625	6	CP028	6	pencil
3.6 Turbo 4	06.00 - 08.05	309	3600	6	M 96.70	CL625	6	CP028	6	pencil
3.6 Turbo 4S	02.03 - 08.05	331	3600	6	M 96.70	CL625	6	CP028	6	pencil
911 (997)										
3.6 Carrera	07.04 - 12.08	239	3596	6	M 96.05	CL625	6	CP027	6	pencil
3.6 GT 3	03.06 - 12.09	305	3600	6	M 97.76	CL625	6	CP027	6	pencil
3.6 Turbo	03.06 - 12.09	353	3600	6	M 97.70	CL625	6	CP027	6	pencil
3.8 Carrera 4S	07.04 - 12.08	261	3824	6	M 97.01	CL625	6	CP027	6	pencil
3.8 Carrera S	07.04 - 12.08	261	3824	6	M 97.01	CL625	6	CP027	6	pencil
911 Cabriolet (996)										
3.4 Carrera	02.98 - 09.01	221	3387	6	M 96.01/M 96.04	CL625	6	CP027	6	pencil
3.4 Carrera 4	02.98 - 09.01	221	3387	6	M 96.02/M 96.04	CL625	6	CP028	6	pencil
3.6 Carrera	10.01 - 08.05	235	3596	6	M 96.03	CL625	6	CP028	6	pencil
3.6 Carrera 4	10.01 - 08.05	235	3596	6	M 96.03	CL625	6	CP028	6	pencil
3.6 Carrera S	06.02 - 08.05	254	3596	6	M 96.03	CL625	6	CP028	6	pencil
3.6 Carrera 4S	06.02 - 08.05	254	3596	6	M 96.03	CL625	6	CP028	6	pencil

model	year	kW	cm ³	cyl	engine	coil	pcs	boot	pcs	info
PORSCHE										
911 Cabriolet (996)										
3.6 Turbo 4	10.03 - 08.05	309	3600	6	M 96.70	CL625	6	CP028	6	pencil
3.6 Turbo 4S	10.03 - 08.05	331	3600	6	M 96.70	CL625	6	CP028	6	pencil
911 Cabriolet (997)										
3.6 Carrera	04.05 - 12.08	239	3596	6	M 96.05	CL625	6	CP027	6	pencil
3.6 Carrera 4	04.05 - 12.08	239	3596	6	M 96.05	CL625	6	CP027	6	pencil
3.6 Turbo	09.07 - 12.09	353	3600	6	M 97.70	CL625	6	CP027	6	pencil
3.8 Carrera S	04.05 - 12.08	261	3824	6	M 97.01	CL625	6	CP028	6	pencil
3.8 Carrera 4S	04.05 - 12.08	261	3824	6	M 97.01	CL625	6	CP028	6	pencil
911 Targa (996)										
3.6	12.01 - 08.05	235	3596	6	M 96.03	CL625	6	CP028	6	pencil
Boxster (986)										
2.5	09.96 - 08.99	150	2480	6	M 96.20	CL625	6	CP027	6	pencil
2.7	08.99 - 07.02	162	2687	6	M 96.22	CL625	6	CP028	6	pencil
2.7	07.02 - 12.04	168	2687	6	M 96.23	CL625	6	CP028	6	pencil
S 3.2	08.99 - 07.02	185	3179	6	M 96.21	CL625	6	CP028	6	pencil
S 3.2	07.02 - 12.04	191	3179	6	M 96.24	CL625	6	CP028	6	pencil
S 3.2	01.04 - 12.04	196	3179	6	M 96.24	CL625	6	CP028	6	pencil
Boxster (987)										
2.7	11.04 - 12.06	176	2687	6	M 96.25	CL625	6	CP027	6	pencil
2.7	07.06 - 12.09	180	2687	6	M 97.20	CL625	6	CP027	6	pencil
S 3.2	11.04 - 12.06	206	3179	6	M 96.26	CL625	6	CP027	6	pencil
S 3.4	07.06 - 12.09	217	3387	6	M 97.21	CL625	6	CP027	6	pencil
Cayenne (955)										
3.2	10.03 - 09.07	184	3189	6	M02.2Y	CL016	6			pencil
S 4.5	09.02 - 09.07	250	4511	8	M 48.00	CL620	8	CP040	8	pencil
4.5 Turbo	09.02 - 09.07	331	4511	8	M 48.50	CL620	8	CP040	8	pencil
S 4.5 Turbo	01.04 - 09.07	368	4511	8	M 48.50S	CL620	8	CP040	8	pencil
Cayman (987)										
2.7	07.06 - 12.09	180	2687	6	M 97.20	CL625	6	CP027	6	pencil
S 3.4	11.05 - 12.09	217	3387	6	M 97.21	CL625	6	CP028	6	pencil
Macan										
2.0	07.14 -	174	1984	4	MCN.CC/MCY.NA	CL032	4			pencil
PROTON										
Gen 2 (CM)										
1.3	06.04 -	70	1332	4	S4PE	CL302	1			
1.6	06.04 -	82	1597	4	S4PH	CL302	1			
Wira										
1.3	08.00 -	55	1298	4	4G 13	CL302	1			
1.5	08.00 -	64	1468	4	4G 15	CL302	1			
Wira Hatchback										
1.3	08.00 -	55	1298	4	4G 13	CL302	1			
1.5	08.00 -	64	1468	4	4G 15 M	CL302	1			
RENAULT										
9 (L42)										
1.2	09.85 - 12.88	40	1237	4	C1G 700/C1G 710	CL146	1			
1.4	12.81 - 12.88	44	1397	4	C1J 715/_ 792/_ 796/C2J 730	CL146	1			
1.4	09.85 - 12.88	49	1397	4	C2J 766/_ 720/_ 768/C2J 767	CL118	1			
1.4	09.81 - 12.85	53	1397	4	C2J 717/C2J 755	CL146	1			
1.4 Automatic	09.81 - 12.85	50	1397	4	C2J 757/C2J 718	CL146	1			
1.4 Turbo	04.84 - 12.86	77	1397	4	C1J 764/C1J 760	CL146	1			
1.4 Turbo	12.86 - 12.89	85	1397	4	C1J 764/C1J 760	CL146	1			
1.7	10.86 - 12.88	54	1721	4	F3N 718	CL118	1			
1.7	10.86 - 12.88	55	1721	4	F2N 730	CL118	1			
1.7	09.84 - 12.89	59	1721	4	F2N 704/F2N 700	CL118	1			
1.7	10.86 - 12.88	65	1721	4	F2N 798/F2N 710/F2N 708	CL118	1			
1.7	06.87 - 12.88	69	1721	4	F3N 708	CL118	1			
11 (B/C37)										
1.2	10.84 - 12.88	40	1237	4	C1G 700/C1G 710	CL146	1			
1.4	03.83 - 12.88	44	1397	4	C1J 715/C2J 730	CL118	1			
1.4	03.83 - 12.88	49	1397	4	C2J 766/_ 720/_ 768/C2J 767	CL146	1			
1.4	03.83 - 12.85	50	1397	4	C2J 757/C2J 718	CL146	1			
1.4	05.83 - 12.85	53	1397	4	C2J 717	CL118	1			SAE
			1397	4	C2J 717	CL146	1			DIN
1.4 Turbo	04.84 - 12.86	77	1397	4	C1J 764/C1J 760	CL118	1			
1.4 Turbo	10.86 - 12.88	85	1397	4	C1J 770/C1J 782	CL118	1			
1.7	10.86 - 12.88	54	1721	4	F2N 730	CL118	1			
1.7	10.84 - 12.88	55	1721	4	F3N 718	CL118	1			
1.7	10.83 - 12.87	59	1721	4	F2N 704/F2N 700	CL118	1			
1.7	06.87 - 12.88	64	1721	4	F2N 732/F2N 742	CL118	1			
1.7	10.86 - 12.88	65	1721	4	F2N 798/F2N 710/F2N 708	CL118	1			

model	year	kW	cm ³	cyl	engine	coil	pcs	boot	pcs	info
RENAULT 18 (134_)										
1.4	04.78 - 07.86	47	1397	4	847 720/847 722	CL146	1			
1.6	04.82 - 07.86	54	1647	4	841 717/A2M 723	CL146	1			
1.6	04.78 - 09.82	58	1647	4	841 725/841 726	CL146	1			
1.6TS	05.82 - 07.86	71	1647	4	A6M 725/A6M 726	CL146	1			
1.6Turbo	10.82 - 07.86	92	1565	4	A5L 718/A5L 717	CL146	1			
2.0	05.82 - 07.86	77	1995	4	J6R 716	CL146	1			
2.2i	06.84 - 07.86	76	2165	4	J7T 718	CL118	1			
18 Variable (135_)										
1.4	05.79 - 07.86	47	1397	4	847 720/847 722	CL146	1			
1.6	01.82 - 07.86	54	1647	4	841 717/A2M 723	CL146	1			
1.6	05.79 - 09.82	58	1647	4	841 725/841 726	CL146	1			
1.6 4x4	01.83 - 07.86	54	1647	4	841 717/A2M 723	CL146	1			
1.6 4x4	02.79 - 06.81	58	1647	4	841 725	CL146	1			
1.6TS	05.82 - 07.86	71	1647	4	A6M 725/A6M 726	CL146	1			
1.6Turbo	10.82 - 07.86	92	1565	4	A5L 718/A5L 717	CL146	1			
2.0	10.81 - 07.86	77	1995	4	J6R 716	CL146	1			
2.0 4x4	05.83 - 12.86	76	1995	4	J6R 714/J6R 716	CL146	1			
19 I (B/C53_)										
1.4	01.88 - 12.92	59	1390	4	E6J 701	CL118	1			
1.4 cat	01.89 - 04.92	43	1397	4	C3J 710	CL118	1			
1.4	01.89 - 12.89	43	1397	4	C2J 772	CL118	1			
1.7	09.88 - 04.92	54	1721	4	F3N 741/F3N 740	CL118	1			
1.7	09.88 - 04.92	66	1721	4	F3N 743/F3N 742	CL118	1			
1.8 16V	06.89 - 04.92	99	1764	4	F7P 704	CL118	1			
19 I Chamade (L53_)										
1.4	07.88 - 04.92	43	1397	4	C3J 710/C2J 772	CL118	1			
1.7	07.88 - 04.92	66	1721	4	F3N 743/F3N 742	CL118	1			
1.7	08.88 - 12.92	79	1721	4	F3N 746	CL118	1			
1.8 16V	10.89 - 04.92	99	1764	4	F7P 704	CL118	1			
19 II (B/C53_)										
1.2	04.92 - 12.95	40	1237	4	C1G 730	CL118	1			
1.4	04.92 - 12.95	43	1397	4	C3J 710	CL118	1			
1.4	01.92 - 12.95	55	1390	4	E7J 742	CL118	1			
1.4	01.92 - 12.95	59	1390	4	E7J 706/E6J 700	CL118	1			
1.7	04.92 - 12.95	54	1721	4	F3N 741/F3N 740	CL118	1			
1.7	04.92 - 12.95	66	1721	4	F3N 743	CL118	1			
1.8	04.92 - 12.95	65	1794	4	F3P 706/_ 707/_ 760/F3P 708	CL118	1			
1.8	04.92 - 12.95	66	1794	4	F3P 706/F3P 760	CL118	1			
1.8	05.94 - 12.95	79	1794	4	F3P 765/F3P 682	CL122	1			
1.8	04.92 - 05.94	81	1794	4	F3P 700	CL118	1			
1.8 16V	04.92 - 12.95	99	1764	4	F7P 704	CL118	1			
19 II Cabriolet (D53_ , 853_)										
1.7	04.92 - 09.93	66	1721	4	F3N 743	CL118	1			
1.8	04.92 - 06.96	65	1794	4	F3P 706/_ 707/_ 760/F3P 708	CL118	1			
1.8	09.93 - 06.96	66	1794	4	F3P 706/F3P 760	CL118	1			
1.8	07.94 - 06.96	79	1794	4	F3P 765/F3P 682/F3P 764	CL118	1			
1.8 16V	04.92 - 06.96	99	1764	4	F7P 704	CL118	1			
19 II Chamade (L53_)										
1.4	04.92 - 12.95	43	1397	4	C3J 710	CL118	1			
1.4	11.93 - 12.95	55	1390	4	E7J 742	CL118	1			
1.4	10.94 - 11.95	57	1390	4	E6J 700	CL118	1			
1.4	10.94 - 11.95	59	1390	4	E7J 706	CL118	1			
1.7	04.92 - 12.95	54	1721	4	F3N 741/F3N 740	CL118	1			
1.7	05.92 - 11.95	55	1721	4	F3N 741/F3N 740	CL118	1			
1.7	04.92 - 12.95	66	1721	4	F3N 743	CL118	1			
1.7	01.93 - 08.95	68	1721	4	F2N 720/F2N 721	CL118	1			
1.8	04.92 - 12.95	65	1794	4	F3P 706/_ 707/_ 760/F3P 708	CL118	1			
1.8	04.92 - 12.95	66	1794	4	F3P 706/F3P 760	CL118	1			
1.8	05.92 - 09.94	67	1794	4	F3P 765	CL118	1			
1.8	05.94 - 12.95	79	1783	4	F3P 682	CL122	1			
1.8	05.92 - 11.95	79	1794	4	F3P 706/F3P 700	CL118	1			
1.8	04.92 - 05.94	81	1794	4	F3P 700	CL118	1			
1.8 16V	04.92 - 12.95	99	1764	4	F7P 704	CL118	1			
19 II Van (S53_)										
1.2	03.92 - 12.95	40	1237	4	C1G 730	CL118	1			
21 (B48_)										
1.7	09.89 - 10.92	54	1721	4	F3N 726	CL118	1			SAE
						CL146	1			DIN
1.7	07.89 - 05.93	55	1721	4	F2N 712/F3N 726	CL118	1			
1.7	09.89 - 06.94	66	1721	4	F3N 723/F3N 722	CL118	1			
2.0	02.90 - 10.92	99	1995	4	J7R 740	CL118	1			

model	year	kW	cm ³	cyl	engine	coil	pcs	boot	pcs	info
RENAULT										
◀ 21 (B48_)										
2.0 4x4	09.90 - 10.92	99	1995	4	J7R 740	CL118	1			
2.2	09.89 - 06.94	79	2165	4	J7T 754/J7T 755	CL118	1			
2.2 4x4	07.90 - 06.94	79	2165	4	J7T 754/J7T 755	CL118	1			
21 Combi (K48_)										
1.7	06.86 - 12.89	54	1721	4	F2N 750	CL118	1			
1.7	06.86 - 03.93	55	1721	4	F2N 712	CL118	1			
1.7	06.87 - 04.89	64	1721	4	F2N 752	CL118	1			
1.7	10.86 - 12.88	65	1721	4	F2N 710	CL118	1			
1.7	10.89 - 12.93	66	1721	4	F3N 723/F3N 722	CL118	1			
1.7	06.86 - 12.89	69	1721	4	F3N 723/F3N 722	CL118	1			
1.7 cat	05.88 - 06.93	54	1721	4	F3N 726	CL118	1			
2.0	06.91 - 05.93	75	1995	4	J6R 759/J6R 758/J6R 792	CL118	1			
2.0	06.86 - 12.88	85	1995	4	J7R 750/J7R 751	CL118	1			
2.0	03.86 - 12.93	88	1995	4	J7R 747/J7R 746	CL118	1			
2.0	06.90 - 02.94	99	1995	4	J7R 740	CL118	1			
2.0 4x4	03.89 - 12.93	88	1995	4	J7R 747/J7R 746	CL118	1			
2.2	06.86 - 11.93	79	2165	4	J7T 754/J7T 755	CL118	1			
2.2 4x4	06.86 - 12.93	79	2165	4	J7T 754/J7T 755	CL118	1			
21 Sedan (L48_)										
1.7	07.86 - 02.94	54	1721	4	F3N 726 /F2N 750	CL118	1			
1.7	03.86 - 12.87	55	1721	4	F2N 712	CL118	1			
1.7	06.87 - 04.89	64	1721	4	F2N 752	CL118	1			
1.7	03.86 - 03.93	65	1721	4	F2N 710	CL118	1			
1.7	03.86 - 02.94	69	1721	4	F3N 723/F3N 722	CL118	1			
1.7	09.89 - 02.94	66	1721	4	F3N 723/F3N 722	CL118	1			
2.0	03.86 - 10.93	75	1995	4	J6R 759/J6R 758	CL118	1			
2.0	04.88 - 06.89	76	1995	4	J6R 793/J6R 792	CL118	1			
2.0	05.91 - 10.93	78	1995	4	J6R 758	CL118	1			
2.0	03.86 - 12.88	85	1995	4	J7R 750/J7R 751	CL118	1			
2.0	03.86 - 12.93	88	1995	4	J7R 747/J7R 746	CL118	1			
2.0	02.90 - 06.94	99	1995	4	J7R 740	CL118	1			
2.0 4x4	12.89 - 02.94	99	1995	4	J7R 740	CL118	1			
2.0 Turbo	02.90 - 10.92	119	1995	4	J7R 756	CL118	1			
2.0 Turbo	04.87 - 03.90	129	1995	4	J7R 752	CL118	1			
2.0 Turbo 4x4	02.90 - 10.92	119	1995	4	J7R 756	CL118	1			
2.0 Turbo 4x4	08.89 - 10.93	129	1995	4	J7R 752	CL118	1			
2.2	07.86 - 02.94	79	2165	4	J7T 754/J7T 755	CL118	1			
2.2 4x4	07.90 - 02.94	79	2165	4	J7T 754/J7T 755	CL118	1			
25 (B29_)										
2.0	04.84 - 12.92	74	1995	4	J6R 763/J6R 707/J6R 760	CL118	1			
2.0	03.87 - 12.93	88	1995	4	J7R 723/J7R 722	CL118	1			
2.0 12V	06.89 - 12.92	99	1995	4	J7R 726	CL118	1			
2.0 12V	06.88 - 12.93	103	1995	4	J7R 721/J7R 720	CL118	1			
2.2	11.85 - 03.89	76	2165	4		CL118	1			
2.2	09.86 - 12.92	79	2165	4	J7T 708/J7T 733 /J7T 732	CL118	1			
2.2	04.84 - 12.89	89	2165	4	J7T 715	CL118	1			
2.2	04.84 - 12.89	91	2165	4	J7T 730/J7T 731	CL118	1			
2.4 V6 Turbo	10.84 - 05.90	133	2458	6	Z7U 702	CL118	1			
2.5 V6 Turbo	01.90 - 12.92	151	2458	6	Z7U 700	CL118	1			
2.8 V6	06.87 - 02.90	115	2849	6	Z7W 700	CL118	1			
2.8 V6 Injection	06.87 - 12.92	110	2849	6	Z7W 706/Z7W 707/Z7W 709	CL118	1			
Avantime (DE0_)										
2.0 16V Turbo	11.01 - 05.03	120	1998	4	F4R 760/F4R 761	CL100	4			pencil
3.0 V6	09.01 - 05.03	152	2946	6	L7X 720/L7X 721	CL135	6			pencil
Captur										
0.9 TCe 90	06.13 -	66	898	3		CL155	3			pencil
1.2 TCe 120	06.13 -	88	1197	4		CL155	4			pencil
Clio Grandtour (KR0/1_)										
1.2 16V Hi-Flex	07.08 -	55	1149	4	D4F 740	CL149	1			coil with ignition cables
						CL150	1			coil without ignition cables
1.2 16V	02.08 -	55	1149	4	D4F 740	CL150	1			
1.2 16V	02.08 -	58	1149	4	D4F 764	CL150	1			
1.2 16V	02.08 -	74	1149	4	D4F 784	CL150	1			
1.4 16V	02.10 -	72	1390	4	K4J 780	CL100	4			pencil
1.6 16V	02.08 -	82	1598	4	K4M 800/K4M 801	CL100	4			pencil
1.6 16V	11.08 -	94	1598	4	K4M 862	CL100	4			pencil
Clio Grandtour IV										
0.9 TCe 90	01.13 -	66	898	3		CL155	3			pencil
1.2 16V	01.13 -	54	1149	4	D4F 740	CL150	1			
1.2 TCe 120	03.13 -	88	1197	4		CL155	4			pencil

model	year	kW	cm ³	cyl	engine	coil	pcs	boot	pcs	info
RENAULT										
Clio I (B/C57_, 5/357_)										
1.2	01.96 - 09.98	40	1149	4	D7F 730	CL131	1			
1.2	01.91 - 06.96	40	1171	4	E7F 706	CL118	1			
1.2	01.96 - 12.96	40	1239	4	C3G 720	CL122	1			
1.2	01.96 - 09.98	43	1149	4	D7F 730	CL131	1			
1.2	05.90 - 09.98	43	1171	4	E7F 750	CL118	1			
1.2	05.90 - 03.96	44	1171	4	E5F 710	CL118	1			
1.4	01.91 - 09.98	55	1390	4	E7J 756/E7J 757	CL118	1			
1.4	01.91 - 09.98	58	1390	4	E7J 719/E7J 718	CL118	1			
1.4	01.91 - 09.98	59	1390	4	E7J 711	CL118	1			
1.8	01.91 - 09.98	65	1794	4	F3P 710/F3P 714	CL118	1			
1.8	08.90 - 04.96	66	1783	4	F3P 755	CL118	1			
1.8	08.94 - 09.98	66	1794	4	F3P 755/F3P 754	CL118	1			
1.8 16V	01.91 - 03.96	99	1764	4	F7P 722	CL118	1			
1.8 RSi	08.95 - 09.98	79	1783	4	F3P 758	CL118	1			
1.8 RSi	01.93 - 08.95	80	1794	4	F3P 712	CL118	1			
2.0 Williams	01.94 - 09.98	108	1998	4	F7R 700	CL118	1			
Clio I Van (S57_)										
1.2	01.91 - 09.98	40	1171	4	E7F 706	CL118	1			
Clio II (BB0/1/2_, CB0/1/2_)										
1.2	09.98 - 10.99	43	1149	4	D7F 766/_720/_764/_726/_746	CL131	1			year
	10.99 -	43	1149	4	D7F 766/_720/_764/_726/_746	CL116	1			year
1.2	03.99 - 05.01	44	1149	4	D7F 722	CL116	1			
1.2	06.01 -	55	1149	4		CL116	1			coil 4xPIN
			1149	4		CL130	1			coil with ignition cables
1.2 16V	06.01 -	55	1149	4	D4F 728/_714/_706/_712/_722	CL150	1			coil without ignition cables
	06.04 -	55	1149	4	D4F 728/_714/_706/_712/_722	CL130	1			coil with ignition cables / year
	06.07 -	55	1149	4	D4F 728/_714/_706/_712/_722	CL149	1			coil with ignition cables / year
1.4	09.98 - 05.05	55	1390	4	E7J 634/E7J 780/K7J 700	CL102	1			coil for cyl 2-3
						CL128	1			coil for cyl 1-4
1.4 16V	10.99 - 09.04	70	1390	4	K4J 712/K4J 713	CL100	4			pencil
1.4 16V	08.00 -	72	1390	4	K4J 712/K4J 711/K4J 710/_713	CL100	4			pencil
1.6	09.98 - 05.05	66	1598	4	K7M 744/K7M 745	CL102	1			coil for cyl 2-3
						CL128	1			coil for cyl 1-4
1.6 16V	09.98 -	79	1598	4	K4M 743/_748/_740/K4M_	CL100	4			pencil
2.0 16V Sport	02.00 -	124	1998	4	F4R 730/F4R 736	CL131	1			
2.0 16V Sport	01.04 -	132	1998	4	F4R 738	CL131	1			
3.0 V6 Sport	11.00 - 12.02	166	2946	6	L7X 760	CL135	6			pencil
3.0 V6 Sport	12.02 -	187	2946	6	L7X 762	CL135	6			pencil
Clio II Van (SB0/1/2_)										
1.1	09.98 -	43	1149	4	D7F 720/D7F 726/D7F 746	CL131	1			
1.2	03.99 - 10.03	44	1149	4	D7F 722/D7F 726/D7F 746	CL116	1			
Clio III (BR0/1, CR0/1)										
1.2 16V	06.05 - 05.08	48	1149	4	D4F 740	CL134	1			coil with ignition cables / year
	06.05 - 05.08	48	1149	4	D4F 740	CL149	1			coil with ignition cables / year
	06.08 -	48	1149	4	D4F 740	CL150	1			coil without ignition cables / year
1.2 16V	06.05 - 05.08	55	1149	4	D4F 740	CL134	1			coil with ignition cables / year
	06.05 - 05.08	55	1149	4	D4F 740	CL149	1			coil with ignition cables / year
	06.08 -	55	1149	4	D4F 740	CL150	1			coil without ignition cables / year
1.2 16V	06.05 - 05.08	58	1149	4	D4F 764	CL134	1			coil with ignition cables / year
	06.05 - 05.08	58	1149	4	D4F 764	CL149	1			coil with ignition cables / year
	06.08 -	58	1149	4	D4F 764	CL150	1			coil without ignition cables / year
1.2 16V	05.07 -	74	1149	4	D4F 784	CL150	1			
1.2 16V	09.10 -	76	1149	4	D4F 786	CL116	1			
1.2 16V Hi-Flex	07.08 -	55	1149	4	D4F 740/D4F 742	CL149	1			coil with ignition cables
						CL150	1			coil without ignition cables
1.4 16V	06.05 -	72	1390	4	K4J 780	CL100	4			pencil
1.6 16V	06.05 -	82	1598	4	K4M 800/K4M 801	CL100	4			pencil
1.6 16V	06.05 -	65	1598	4	K4M 804	CL100	4			pencil
1.6 16V GT	06.09 -	94	1598	4	K4M 862	CL100	4			pencil
2.0 16V Sport	02.06 -	145	1998	4	F4R 830	CL100	4			pencil
2.0 16V Sport	09.08 -	148	1998	4	F4R 830	CL100	4			pencil
Clio IV										
0.9 TCe 90	11.12 -	66	898	3		CL155	3			pencil
1.2 TCe 120	03.13 -	88	1197	4		CL155	4			pencil
1.6 RS	03.13 -	147	1618	4	M5M 450/M5M 400	CL900	4			pencil
Duster										
1.6 16V	02.12 -	75	1598	4	K4M 616	CL100	4			pencil
2.0	02.12 -	98	1998	4		CL100	4			pencil
Espace I (J11_)										
2.0	01.88 - 12.90	74	1995	4	J6R 734	CL118	1			
2.0	07.84 - 12.90	80	1995	4	J6R 234/J6R 236	CL118	1			

model	year	kW	cm ³	cyl	engine	coil	pcs	boot	pcs	info
RENAULT										
◀ Espace I (J11 _)										
2.0 i	01.89 - 12.90	87	1995	4	J7R 760	CL118	1			
2.0 i Quadra	03.88 - 12.92	87	1995	4	J7R 760	CL118	1			
2.2	07.86 - 12.90	79	2165	4	J7T 770	CL118	1			
2.2 Quadra	01.88 - 12.90	79	2165	4	J7T 770	CL118	1			
Espace II (J/S63 _)										
2.0	01.91 - 10.96	76	1995	4	J7R 768	CL118	1			
2.2	01.91 - 10.96	79	2165	4	J7T 772/J7T 776/J7T 773	CL118	1			
2.2 4x4	03.91 - 12.96	79	2165	4	J7T 772/J7T 773	CL118	1			
2.8 V6	01.91 - 10.96	110	2849	6	Z7W 717/Z7W 712/Z7W 713	CL118	1			
Espace III (JE0 _)										
2.0	11.96 - 04.97	84	1998	4	F3R 769/F3R 728/F3R 768	CL124	2			SAE / year / twin coil
	04.97 - 10.00	84	1998	4	F3R 769/F3R 728/F3R 768	CL123	2			PIN / year / twin coil
2.0	09.01 - 10.02	102	1998	4	F4R 701/F4R 700	CL100	4			pencil
2.0 16V	10.98 - 10.02	103	1998	4	F4R 701/F4R 700	CL100	4			pencil
3.0	11.96 - 10.98	123	2963	6	Z7X 775	CL124	1			1 st twin coil (black socket)
	11.96 - 10.98	123				CL125	1			2 nd twin coil (grey socket)
	11.96 - 10.98	123				CL126	1			3 rd twin coil (brown socket)
3.0 V6 24V	10.98 - 10.02	140	2946	6	L7X 727	CL135	6			pencil
Espace IV (JK0/1 _)										
2.0	11.02 -	100	1998	4	F4R 792	CL100	4			pencil
2.0	04.05 -	125	1998	4	F4R 897/F4R 796/ 896/ _ 797	CL100	4			pencil
2.0 Turbo	11.02 -	120	1998	4	F4R 796/F4R 795/ _ 794/ _ 797	CL100	4			pencil
Fluence (L30 _)										
1.6 16V	02.10 -	81	1598	4	K4M 839/K4M 838	CL100	4			pencil
2.0 16V	02.10 -	103	1998	4	M4R 751/M4R 714	CL153	4	CP050	4	pencil
Fuego (136 _)										
2.0 TX/GTX	10.80 - 10.85	81	1995	4	J6R 713/J6R 726/J6R 715	CL146	1			
Grand Scénic II (JM0/1 _)										
1.6	04.04 -	83	1598	4	K4M 761/K4M 782	CL100	4			pencil
2.0	04.04 -	99	1998	4	F4R 771/F4R 770	CL100	4			pencil
2.0	04.04 -	120	1998	4	F4R 776	CL100	4			pencil
Grand Scénic III (JZ0/1 _)										
1.2 TCe	04.12 -	85	1197	4	H5F 400	CL155	4			pencil
1.2 TCe	01.13 -	97	1197	4	H5F 404	CL155	4			pencil
1.4 16V	02.09 -	96	1397	4	H4J 700	CL152	4			pencil
1.6 16V	02.09 -	81	1598	4	K4M 858	CL100	4			pencil
2.0 16V	02.09 -	103	1997	4	M4R 711	CL153	4	CP050	4	pencil
Kadjar										
1.2 TCe 130	06.15 -	96	1197	4	H5F 408	CL155	4			pencil
Kangoo (KC0/1 _)										
1.2	08.97 - 10.99	43	1149	4	D7F 710/D7F 722/ _ 720/ _ 726	CL131	1			year / rectangular socket
	10.99 -	43	1149	4	D7F 710/D7F 722/ _ 720/ _ 726	CL116	1			year / oval socket
1.2 16V	06.01 -	55	1149	4	D4F 714/D4F 716/ _ 712/ _ 730	CL150	1			coil without ignition cables
	06.01 -	55	1149	4	D4F 714/D4F 716/ _ 712/ _ 730	CL134	1			coil with ignition cables / year
	06.04 -	55	1149	4	D4F 714/D4F 716/ _ 712/ _ 730	CL130	1			coil with ignition cables / year
	06.07 -	55	1149	4	D4F 714/D4F 716/ _ 712/ _ 730	CL149	1			coil with ignition cables / year
1.4	08.97 -	55	1390	4	E7J 634/K7J 701/E7J 635/E7J 780/K7J 700	CL102	1			coil for cyl 2-3
						CL128	1			coil for cyl 1-4
1.6 16V	06.01 -	70	1598	4	K4M 750/K4M 753/K4M 752	CL100	4			pencil
1.6 16V 4x4	10.01 -	70	1598	4	K4M 750/K4M 753/K4M 752	CL100	4			pencil
Kangoo / Grand Kangoo (KW0/1 _)										
1.2 TCe 115	07.13 -	84	1197	4		CL155	4			pencil
1.6 16V Hi-Flex	02.08 -	78	1598	4	K4M 834/K4M 850	CL100	4			pencil
1.6 16V	02.08 -	78	1598	4	K4M 830/K4M 831	CL100	4			pencil
Kangoo BeBop (KW0/1 _)										
1.6	02.09 -	78	1598	4	K4M 830	CL100	4			pencil
Kangoo Express (FC0/1 _)										
1.2	08.97 - 10.99	43	1149	4	D7F 710/D7F 722/ _ 720/ _ 726	CL131	1			year / rectangular socket
	10.99 -	43	1149	4	D7F 710/D7F 722/ _ 720/ _ 726	CL116	1			year / oval socket
1.2	07.98 - 07.01	44	1149	4	D7F 766/D7F 764	CL116	1			
1.2 16V	10.01 -	55	1149	4	D4F 714/D4F 712/D4F 730	CL150	1			coil without ignition cables
	10.01 -	55	1149	4	D4F 714/D4F 712/D4F 730	CL134	1			coil with ignition cables / year
	06.04 -	55	1149	4	D4F 714/D4F 712/D4F 730	CL130	1			coil with ignition cables / year
	06.07 -	55	1149	4	D4F 714/D4F 712/D4F 730	CL149	1			coil with ignition cables / year
1.4	08.97 -	55	1390	4	E7J 634/K7J 701/ _ 635/ _ 780	CL102	1			twin coil for cyl 2-3
						CL128	1			twin coil for cyl 1-4
1.6 16V	10.01 -	70	1598	4	K4M 752	CL100	4			pencil
1.6 16V 4x4	10.01 -	70	1598	4	K4M 750/K4M 753/K4M 752	CL100	4			pencil
Kangoo Express (FW0/1 _)										
1.2 TCe 115	07.13 -	84	1197	4		CL155	4			pencil
1.6 16V	02.08 -	78	1598	4	K4M 830	CL100	4			pencil



model	year	kW	cm ³	cyl	engine	coil	pcs	boot	pcs	info
RENAULT										
◀ Kangoo Express (FW0/1_)										
1.6 16V LPG	02.08 -	72	1598	4	K4M 834	CL100	4			pencil
Koleos (HY_)										
2.5	09.08 -	126	2488	4	2TR700/2TR702/2TR703	CL911	4	CP019		pencil
2.5 4x4	09.08 -	126	2488	4	2TR700/2TR702/2TR703	CL911	4	CP019		pencil
Laguna Coupe (DT0/1)										
2.0 16V Turbo	09.08 -	125	1998	4	F4Rt 811/F4R 811	CL100	4			pencil
2.0 GT	09.08 -	150	1998	4	F4R 800	CL100	4			pencil
Laguna I (B56_ , 556_)										
1.6 16V	11.97 - 03.99	79	1598	4	K4M 720/K4M 724	CL102	1			twin coil for cyl 2-3 / year
	11.97 - 03.99	79	1598	4	K4M 720/K4M 724	CL128	1			twin coil for cyl 1-4 / year
	03.99 - 03.01	79	1598	4	K4M 720/K4M 724	CL100	4			year / pencil
1.8	11.93 - 03.01	66	1794	4	F3P 720/F3P 724	CL118	1			
	08.95 - 03.01	66	1783	4	F3P 678	CL118	1			with distributor / engine code
1.8	08.95 - 04.97	66	1783	4	F3P 670	CL124	2			twin coil 2xSAE / year
	04.97 - 03.01	66	1783	4	F3P 670	CL123	2			twin coil 2xPIN / year
	06.95 - 04.97	69	1783	4	F3P 674	CL124	2			twin coil 2xSAE / year
1.8	04.97 - 02.01	69	1783	4	F3P 674	CL123	2			twin coil 2xPIN / year
	08.95 - 03.01	69	1794	4	F3P 720/F3P 724	CL118	1			
1.8 16V	04.98 - 03.01	88	1783	4	F4P 760	CL100	4			pencil
2.0	03.99 - 03.01	80	1998	4	F3R 611	CL124	2			twin coil
2.0	11.93 - 03.01	83	1998	4	F3R 722/F3R 723	CL118	1			
2.0	06.95 - 04.97	84	1998	4	F3R 768	CL124	2			twin coil 2xSAE / year
	04.97 - 02.01	84	1998	4	F3R 768	CL123	2			twin coil 2xPIN / year
	09.99 - 02.01	102	1998	4	F4R 780	CL100	4			pencil
2.0	06.95 - 02.01	103	1948	4	N7Q 700/N7Q 704	CL136	1			twin coil for cyl 1-4
						CL137	1			twin coil for cyl 2-3
						CL136	1			twin coil for cyl 1-4
2.0 16V	06.95 - 03.01	102	1948	4	N7Q 700/N7Q 704	CL137	1			twin coil for cyl 2-3
						CL100	4			pencil
2.0 16V	09.99 - 03.01	103	1998	4	F4R 780	CL100	4			pencil
3.0	11.93 - 03.01	123	2963	6	Z7X 765/Z7X 760	CL124	1			1 st twin coil (black socket)
						CL125	1			2 nd twin coil (grey socket)
						CL126	1			3 rd twin coil (brown socket)
3.0 24V	03.97 - 03.01	140	2946	6	L7X 700/L7X 701	CL140	1			rail coil for 3 cylinders
Laguna I Grandtour (K56_)										
1.6 16V	11.97 - 03.99	79	1598	4	K4M 720/K4M 724	CL102	1			year / coil for cyl 2-3
	11.97 - 03.99	79	1598	4	K4M 720/K4M 724	CL128	1			year / coil for cyl 1-4
	03.99 - 03.01	79	1598	4	K4M 720/K4M 724	CL100	4			year / pencil
1.8	09.95 - 03.01	66	1783	4	F3P 678	CL118	1			with distributor / engine code
	09.95 - 04.97	66	1783	4	F3P 670	CL124	2			coil 2xSAE / year / engine code
	04.97 - 03.01	66	1783	4	F3P 670	CL123	2			coil 2xPIN / year / engine code
1.8	09.95 - 03.01	69	1794	4	F3P 720/F3P 724	CL118	1			
1.8 16V	04.98 - 03.01	88	1783	4	F4P 760	CL100	4			pencil
2.0	09.95 - 03.01	83	1998	4	F3R 722/F3R 723	CL118	1			
2.0 16V	09.95 - 03.01	102	1948	4	N7Q 700/N7Q 704	CL136	1			twin coil for cyl 1-4
						CL137	1			twin coil for cyl 2-3
						CL100	4			pencil
2.0 16V	09.99 - 03.01	103	1998	4	F4R 780	CL124	1			1 st twin coil (black socket)
						CL125	1			2 nd twin coil (grey socket)
						CL126	1			3 rd twin coil (brown socket)
3.0	02.96 - 03.01	123	2963	6	Z7X 765	CL140	1			rail coil for 3 cylinders
3.0 24V	03.97 - 03.01	140	2946	6	L7X 700/L7X 701	CL140	1			
Laguna II (BG0/1_)										
1.6 16V	03.01 -	79	1598	4	K4M 714/K4M 710	CL100	4			pencil
1.6 16V	02.05 -	82	1598	4	K4M 716	CL100	4			pencil
1.8 16V	03.01 -	86	1783	4	F4P 774/F4P 770	CL100	4			pencil
1.8 16V	03.01 -	85	1783	4	F4P 774/_770/_773/_775/_771	CL100	4			pencil
1.8 16V	03.01 -	88	1783	4	F4P 770/F4P 773	CL100	4			pencil
1.8 16V	03.01 -	89	1783	4	F4P 772/F4P 770	CL100	4			pencil
2.0 16V	08.02 -	99	1998	4	F4R 713/F4R 715/_712/_714	CL100	4			pencil
2.0 16V	01.05 -	125	1998	4	F4R 787/F4R 786/F4R 784	CL100	4			pencil
2.0 16V	01.05 -	150	1998	4	F4R 887/F4R 886	CL100	4			pencil
2.0 16V IDE	04.01 -	103	1998	4	F5R 701/F5R 700	CL131	1			
2.0 16V Turbo	01.03 -	120	1998	4	F4R 764/F4R 787/_786/_765	CL100	4			pencil
3.0 V6 24V	03.01 -	152	2946	6	L7X 731	CL135	6			pencil
Laguna II Grandtour (KG0/1_)										
1.6 16V	02.05 -	82	1598	4	K4M 716	CL100	4			pencil
1.6 16V	03.01 -	79	1598	4	K4M 714/K4M 710	CL100	4			pencil
1.8 16V	03.01 -	85	1783	4	F4P 774/F4P 770/_771/_775	CL100	4			pencil
1.8 16V	03.01 -	86	1783	4	F4P 770	CL100	4			pencil
1.8 16V	03.01 -	88	1783	4	F4P 770/F4P 773	CL100	4			pencil
1.8 16V	03.01 -	89	1783	4	F4P 774/F4P 770	CL100	4			pencil
2.0 16V	08.02 -	99	1998	4	F4R 713/F4R 715/_712/_714	CL100	4			pencil

model	year	kW	cm ³	cyl	engine	coil	pcs	boot	pcs	info
RENAULT										
Laguna II Grandtour (KG0/1_)										
2.0 16V	01.05 -	125	1998	4	F4R 787/F4R 786/F4R 784	CL100	4			pencil
2.0 16V	01.05 -	150	1998	4	F4R 887/F4R 886	CL100	4			pencil
2.0 16V IDE	04.01 -	103	1998	4	F5R 701/F5R 700	CL131	1			
2.0 16V Turbo	01.03 -	120	1998	4	F4R 764/F4R 787/_ 786/_ 765	CL100	4			pencil
3.0 V6 24V	03.01 -	152	2946	6	L7X 731	CL135	6			pencil
Laguna III (BT0/1)										
1.6 16V	10.07 -	81	1598	4	K4M 824	CL100	4			pencil
2.0 16V	10.07 -	103	1998	4	M4R 704	CL153	4	CP050	4	pencil
2.0 16V Hi-Flex	10.07 -	103	1997	4	M4R 726	CL153	4	CP050	4	pencil
2.0 16V Turbo	10.07 -	125	1998	4	F4R 811	CL100	4			pencil
2.0 GT	03.08 -	150	1998	4	F4R 800	CL100	4			pencil
Laguna III Grandtour (KT0/1)										
1.6 16V	10.07 -	81	1598	4	K4M 824	CL100	4			pencil
2.0 16V	10.07 -	103	1998	4	M4R 704	CL153	4	CP050	4	pencil
2.0 16V Hi-Flex	10.07 -	103	1997	4	M4R 704/M4R 726	CL153	4	CP050	4	pencil
2.0 16V Turbo	10.07 -	125	1998	4	F4R 811	CL100	4			pencil
2.0 GT	03.08 -	150	1998	4	F4R 800	CL100	4			pencil
Latitude (L70_)										
2.0 16V	02.11 -	103	1997	4	M4R 746	CL153	4	CP050	4	pencil
Logan I (LS_)										
1.4	09.04 -	55	1390	4	K7J 710	CL116	1			
1.6	09.04 -	64	1598	4	K7M 710	CL116	1			
1.6	04.07 -	77	1598	4	K4M 690	CL100	4			pencil
Logan I Combi (KS_)										
1.4	10.07 -	55	1390	4	K7J 710	CL116	1			
1.6	04.07 -	64	1598	4	K7M 710	CL116	1			
1.6	04.07 -	77	1598	4	K4M 697	CL100	4			pencil
Master I Bus (T_)										
28-35 2.0	10.86 - 07.98	58	1995	4	J5R 718	CL146	1			
Master I Flatbed (P_)										
2.0	11.89 - 07.93	60	1995	4	J5R 718	CL146	1			
28-35 2.0	10.86 - 07.98	58	1995	4	J5R 728	CL146	1			
Master I Van (T_)										
28-35 2.0	10.86 - 07.98	58	1995	4	J5R 718	CL146	1			
Megane CC (EZ0/1_)										
1.2 TCe	01.13 -	97	1197	4	H5F 404	CL155	4			pencil
1.4 TCe	06.10 -	96	1397	4	H4J 700	CL152	4			pencil
1.6 16V	06.10 -	81	1598	4	K4M 858	CL100	4			pencil
2.0 CVT	06.10 -	103	1997	4	M4R 713/M4R 711	CL153	4	CP050	4	pencil
2.0 TCe	06.10 -	132	1998	4	F4R 870/F4R 872	CL100	4			pencil
Megane I (BA0/1_)										
1.4 16V	03.99 - 08.03	70	1390	4	K4J 714/K4J 750	CL100	4			pencil
1.4 e	01.96 - 02.99	55	1390	4	E7J 764	CL118	1			SAE / year / engine code
	02.99 - 08.03	55	1390	4	E7J 626	CL116	1			PIN / year / engine code
1.4 Eco	01.96 - 03.99	52	1390	4	E7J 624	CL118	1			
1.6 16V	03.99 - 08.03	79	1598	4	K4M 704/K4M 700/_ 708/_ 701	CL100	4			pencil
1.6 e	01.96 - 03.97	66	1598	4	K7M 702/K7M 703/K7M 790	CL101	1			year / for cyl 2-3 (with CL103)
	01.96 - 03.97	66				CL103	1			year / for cyl 1-4 (with CL101)
1.6 e	03.97 - 03.99	66	1598	4	K7M 702/K7M 703/K7M 790	CL102	1			year / for cyl 2-3 (with CL128)
	03.97 - 03.99	66				CL128	1			year / for cyl 1-4 (with CL102)
	03.97 - 03.99	66				CL116	1			year / coil for cyl 1-4-2-3
1.6 i	01.96 - 03.97	55	1598	4	K7M 720	CL101	1			year / for cyl 2-3 (with CL103)
	01.96 - 03.97	55				CL103	1			year / for cyl 1-4 (with CL101)
1.6 i	03.97 - 03.99	55	1598	4	K7M 720	CL102	1			year / for cyl 2-3 (with CL128)
	03.97 - 03.99	55				CL128	1			year / for cyl 1-4 (with CL102)
	03.97 - 03.99	55				CL116	1			year / coil for cyl 1-4-2-3
1.8 16V	01.01 - 08.03	85	1783	4	F4P 722/F4P 720	CL100	4			pencil
2.0 16V	07.96 - 08.03	108	1998	4	F7R 710/F7R 714	CL123	2			twin coil
2.0 i	03.99 - 08.03	80	1998	4	F3R 751/F3R 750	CL123	2			PIN / twin coil
						CL124	2			SAE / twin coil
2.0 i	01.96 - 04.97	84	1998	4	F3R 751/F3R 750	CL124	2			SAE / year / twin coil
	04.97 - 08.03	84	1998	4	F3R 751/F3R 750	CL123	2			PIN / year / twin coil
Megane I Cabriolet (EA0/1_)										
1.4 16V	03.99 - 08.03	70	1390	4	K4J 714/K4J 750	CL100	4			pencil
1.6 16V	03.99 - 08.03	79	1598	4	K4M 700/K4M 708/K4M 701	CL100	4			pencil
1.6 e	10.96 - 03.97	66	1598	4	K7M 702/K7M 703	CL101	1			year / for cyl 2-3 (with CL103)
	10.96 - 03.97	66				CL103	1			year / for cyl 1-4 (with CL101)
1.6 e	04.97 - 03.99	66	1598	4	K7M 702/K7M 703	CL102	1			year / for cyl 2-3 (with CL128)
	04.97 - 03.99	66				CL128	1			year / for cyl 1-4 (with CL102)
	04.97 - 03.99	66				CL116	1			year / coil for cyl 1-4-2-3



model	year	kW	cm ³	cyl	engine	coil	pcs	boot	pcs	info
RENAULT										
Megane I Cabriolet (EA0/1_)										
2.0	04.97 - 08.03	84	1998	4	F3R 750	CL123	2			PIN / twin coil
						CL124	2			SAE / twin coil
2.0 16V	01.02 - 08.03	102	1998	4	F4R 746/F4R 770	CL100	4			pencil
2.0 16V	10.96 - 11.99	108	1998	4	F7R 710/F7R 714	CL131	1			
2.0 16V IDE	11.99 - 08.03	103	1998	4	F5R 740	CL116	1			
2.0 i	03.99 - 08.03	80	1998	4	F3R 791/F3R 796	CL123	2			PIN / twin coil
						CL124	2			SAE / twin coil
Megane I Classic (LA0/1_)										
1.4	09.96 - 02.99	55	1390	4	E7J 764	CL118	1			SAE / year
	02.99 - 08.03	55	1390	4	E7J 626	CL116	1			PIN / year
1.4 16V	03.99 - 08.03	70	1390	4	K4J 714/K4J 750	CL100	4			pencil
1.6 16V	03.99 - 08.03	79	1598	4	K4M 700/K4M 708/K4M 701	CL100	4			pencil
1.6 e	09.96 - 03.97	66	1598	4	K7M 702/K7M 703/K7M 790	CL101	1			year / for cyl 2-3 (with CL103)
						CL103	1			year / for cyl 1-4 (with CL101)
1.6 e	04.97 - 03.99	66	1598	4	K7M 702/K7M 703/K7M 790	CL102	1			year / for cyl 2-3 (with CL128)
						CL128	1			year / for cyl 1-4 (with CL102)
						CL116	1			year / coil for cyl 1-4-2-3
1.6 i	09.96 - 03.97	55	1598	4	K7M 720	CL101	1			year / for cyl 2-3 (with CL103)
	09.96 - 03.97	55	1598	4	K7M 720	CL103	1			year / for cyl 1-4 (with CL101)
	03.97 - 03.99	55	1598	4	K7M 720	CL116	1			year / coil for cyl 1-4-2-3
1.8 16V	01.01 - 08.03	85	1783	4	F4P 722/F4P 720	CL100	4			pencil
2.0 i	03.99 - 08.03	80	1998	4	F3R 791/F3R 751/F3R_	CL123	2			PIN / twin coil
						CL124	2			SAE / twin coil
2.0 i	04.97 - 08.03	84	1998	4	F3R 791/F3R 751/F3R_	CL123	2			PIN / twin coil
						CL124	2			SAE / twin coil
Megane I Coach (DA0/1_)										
1.4 16V	03.99 - 08.03	70	1390	4	K4J 714/K4J 750	CL100	4			pencil
1.6 16V	03.99 - 08.03	79	1598	4	K4M 700/K4M 708/K4M 701	CL100	4			pencil
1.6 e	03.96 - 03.97	66	1598	4	K7M 702/K7M 703	CL101	1			year / for cyl 2-3 (with CL103)
						CL103	1			year / for cyl 1-4 (with CL101)
1.6 e	03.97 - 03.99	66	1598	4	K7M 702/K7M 703	CL102	1			year / for cyl 2-3 (with CL128)
						CL128	1			year / for cyl 1-4 (with CL102)
						CL116	1			year / coil for cyl 1-4-2-3
2.0 16V	01.02 - 08.03	102	1998	4	F4R 746	CL100	4			pencil
2.0 16V	03.96 - 11.99	108	1998	4	F7R 710/F7R 714	CL131	1			
2.0 16V IDE	11.99 - 08.03	103	1998	4	F5R 740	CL116	1			
2.0 i	03.99 - 08.03	80	1998	4	F3R 791/F3R 796	CL123	2			PIN / twin coil
						CL124	2			SAE / twin coil
2.0 i	03.96 - 04.97	84	1998	4	F3R 751/F3R 750	CL124	2			SAE / year / twin coil
	04.97 - 08.03	84	1998	4	F3R 751/F3R 750	CL123	2			PIN / year / twin coil
Megane I Grandtour (KA0/1_)										
1.4 16V	03.99 - 08.03	70	1390	4	K4J 714/K4J 750	CL100	4			pencil
1.4 e	03.99 - 08.03	55	1390	4	E7J 626	CL116	1			
1.6 16V	03.99 - 08.03	79	1598	4	K4M 704/K4M 700/_708/_701	CL100	4			pencil
1.6 e	03.99 - 08.03	66	1598	4	K7M 702/K7M 703	CL101	1			SAE / coil for cyl 2-3
						CL103	1			SAE / coil for cyl 1-4
						CL116	1			coil 4xPIN for cyl 1-4-2-3
1.8 16V	01.01 - 08.03	85	1783	4	F4P 722/F4P 720	CL100	4			pencil
Megane II (BM0/1_ , CM0/1_)										
1.4 16V	10.03 - 02.08	60	1390	4	K4J 732	CL100	4			pencil
1.4 16V	11.02 - 02.08	72	1390	4	K4J 740/K4J 730	CL100	4			pencil
1.6	06.05 - 02.08	77	1598	4	K4M 788	CL100	4			pencil
1.6 16V	01.06 - 06.08	82	1598	4	K4M 812/K4M 760/K4M 813	CL100	4			pencil
1.6 16V	11.02 - 02.08	83	1598	4	K4M 760	CL100	4			pencil
1.6 Flex-Fuel	01.07 - 02.08	77	1598	4	K4M 788	CL100	4			pencil
2.0	08.06 - 02.08	169	1998	4	F4R 774	CL100	4			pencil
2.0 16V	11.02 - 02.08	99	1998	4	F4R 770	CL100	4			pencil
2.0 16V Turbo	05.04 - 02.08	120	1998	4	F4R 776	CL100	4			pencil
2.0 Renault Sport	05.04 - 10.09	165	1998	4	F4R 774/F4Rt 774	CL100	4			pencil
Megane II Combi (KM0/1_)										
1.4	08.03 - 07.09	72	1390	4	K4J 740/K4J 730	CL100	4			pencil
1.6	08.03 - 07.09	83	1598	4	K4M 760/K4M 761	CL100	4			pencil
1.6 16V	01.06 - 08.09	82	1598	4	K4M 812/K4M 760/_761/_813	CL100	4			pencil
1.6 16V Hi-Flex	02.08 - 07.09	77	1598	4	K4M 856	CL100	4			pencil
2.0	08.03 - 07.09	99	1998	4	F4R 771/F4R 770	CL100	4			pencil
Megane II Coupe-Cabriolet (EM0/1_)										
1.6	09.03 - 03.09	83	1598	4	K4M 760/K4M 761	CL100	4			pencil
1.6 16V	01.06 - 06.08	82	1598	4	K4M 812/K4M 760/_761/_813	CL100	4			pencil
2.0	09.03 - 12.09	99	1998	4	F4R 771/F4R 770	CL100	4			pencil
2.0 16V Turbo	05.04 - 03.09	120	1998	4	F4R 776	CL100	4			pencil

model	year	kW	cm ³	cyl	engine	coil	pcs	boot	pcs	info
RENAULT										
Megane II Sedan (LM0/1)										
1.4	09.03 -	60	1390	4	K4J 732	CL100	4			pencil
1.4	09.03 -	72	1390	4	K4J 740/K4J 730	CL100	4			pencil
1.6	05.05 -	77	1598	4	K4M 762	CL100	4			pencil
1.6	09.03 -	83	1598	4	K4M 760/K4M 761	CL100	4			pencil
1.6 16V	01.06 -	82	1598	4	K4M 812/K4M 813	CL100	4			pencil
2.0	09.03 -	99	1998	4	F4R 771/F4R 770	CL100	4			pencil
Megane III CC (BZ0)										
1.2 TCe	03.12 -	85	1198	4	H5F 400	CL155	4			pencil
1.2 TCe	01.13 -	97	1197	4	H5F 404	CL155	4			pencil
1.4 TCe	04.09 -	96	1397	4	H4J 700	CL152	4			pencil
1.6 16V	11.08 -	74	1598	4	K4M 848	CL100	4			pencil
1.6 16V	11.08 -	81	1598	4	K4M 858	CL100	4			pencil
1.6 16V BiFuel	11.08 -	81	1598	4	K4M 866	CL100	4			pencil
2.0 CVT	02.09 -	103	1997	4	M4R 713/M4R 711	CL153	4	CP050	4	pencil
2.0 TCe	11.08 -	132	1998	4	F4R 870	CL100	4			pencil
Megane III Coupe (DZ0/1)										
1.2 TCe	03.12 -	85	1198	4	H5F 400	CL155	4			pencil
1.2 TCe	01.13 -	97	1197	4	H5F 404	CL155	4			pencil
1.4 TCe	04.09 -	96	1397	4	H4J 700	CL152	4			pencil
1.6 16V	11.08 -	74	1598	4	K4M 848	CL100	4			pencil
1.6 16V	11.08 -	81	1598	4	K4M 858	CL100	4			pencil
1.6 16V BiFuel	11.08 -	81	1598	4	K4M 866	CL100	4			pencil
2.0 CVT	05.09 -	103	1997	4	M4R 711	CL153	4	CP050	4	pencil
2.0 TCe	11.08 -	132	1998	4	F4R 870	CL100	4			pencil
2.0 TCe	05.09 -	184	1998	4	F4R 874	CL100	4			pencil
Megane III Grandtour (KZ0/1)										
1.2 TCe	03.12 -	85	1198	4	H5F 400	CL155	4			pencil
1.2 TCe	01.13 -	97	1197	4	H5F 404	CL155	4			pencil
1.4 TCe	05.09 -	96	1397	4	H4J 700	CL152	4			pencil
1.6 16V	05.09 -	74	1598	4	K4M 848	CL100	4			pencil
1.6 16V	05.09 -	81	1598	4	K4M 858	CL100	4			pencil
1.6 16V BiFuel	11.08 -	81	1598	4	K4M 866	CL100	4			pencil
2.0 CVT	05.09 -	103	1997	4	M4R 711/M4R F 713	CL153	4	CP050	4	pencil
2.0 TCe	11.08 -	132	1998	4	F4R 870/F4R 872	CL100	4			pencil
Megane Scenic (JA0/1)										
1.4 i	01.97 - 09.99	55	1390	4	E7J 764	CL118	1			
1.6 16V	04.98 - 10.99	79	1598	4	K4M 704/K4M 700/_ 708/_ 701	CL100	4			pencil
1.6 e	10.96 - 03.97	66	1598	4	K7M 702/K7M 703	CL101	1			year / for cyl 2-3 (with CL103)
						CL103	1			year / for cyl 1-4 (with CL101)
1.6 e	04.97 - 10.99	66	1598	4	K7M 702/K7M 703	CL102	1			year / for cyl 2-3 (with CL128)
						CL128	1			year / for cyl 1-4 (with CL102)
						CL116	1			year / coil for cyl 1-4-2-3
1.6 i	01.97 - 03.97	55	1598	4	K7M 720	CL101	1			year / for cyl 2-3 (with CL103)
					1598	4	K7M 720	CL103	1	year / for cyl 1-4 (with CL101)
1.6 i	04.97 - 09.99	55	1598	4	K7M 720	CL102	1			year / for cyl 2-3 (with CL128)
						CL128	1			year / for cyl 1-4 (with CL102)
						CL116	1			year / coil for cyl 1-4-2-3
2.0 i	01.99 - 09.99	80	1998	4	F3R 796	CL123	2			PIN / twin coil
						CL124	2			SAE / twin coil
2.0 i	01.97 - 04.97	84	1998	4	F3R 751/F3R 750	CL124	2			SAE / year / twin coil
	04.97 - 09.99	84	1998	4	F3R 751/F3R 750	CL123	2			PIN / year / twin coil
2.0 RXE 4x4	05.97 - 10.99	84	1998	4	F3R 750	CL123	2			PIN / twin coil
						CL124	2			SAE / twin coil
Modus / Grand Modus (F/JPO)										
1.2	05.05 -	48	1149	4	D4F 740	CL134	1			coil with ignition cables
1.2	12.04 -	55	1149	4	D4F 740	CL134	1			coil with ignition cables / year
	01.08 -	55	1149	4	D4F 740	CL149	1			coil with ignition cables / year
	01.09 -	55	1149	4	D4F 740	CL150	1			coil without ignition cables / year
1.2	12.04 -	58	1149	4	D4F 764	CL134	1			coil with ignition cables / year
	01.09 -	58	1149	4	D4F 764	CL150	1			coil without ignition cables / year
1.2	04.11 -	76	1149	4	D4F 786	CL116	1			
1.2 16V	05.07 -	74	1149	4	D4F 784	CL116	1			
1.2 16V Hi-Flex	10.08 -	55	1149	4	D4F 740	CL149	1			coil with ignition cables
						CL150	1			coil without ignition cables
1.4	12.04 -	72	1390	4	K4J 780/K4J 770	CL100	4			pencil
1.6	12.04 -	65	1598	4	K4M 794	CL100	4			pencil
1.6	12.04 -	82	1598	4	K4M 790/K4M 800/_ 801/_ 791	CL100	4			pencil
Rapid Van (F40_ , G40)										
1.2	09.91 - 03.98	40	1239	4	C3G 712/C3G 710	CL122	1			
1.4	07.85 - 08.91	43	1397	4	C1J 780/C1J 768	CL118	1			
1.4	03.86 - 08.91	44	1397	4	C2J 784	CL118	1			



model	year	kW	cm ³	cyl	engine	coil	pcs	boot	pcs	info
RENAULT										
◀ Rapid Van (F40 , G40)										
1.4	09.91 - 03.98	55	1390	4	E7J 720/E7J 724	CL118	1			
1.4	01.94 - 03.98	58	1390	4	E7J 728	CL118	1			
1.4 cat	08.88 - 03.98	43	1397	4	C3J 762/C3J 700/_ 702/_ 760	CL118	1			
Safrane I (B54 _)										
2.0	11.92 - 07.96	77	1995	4	J7R 732/J7R 733	CL118	1			
2.0 12V	04.92 - 07.96	97	1995	4	J7R 735/J7R 734	CL118	1			
2.2	04.92 - 07.96	79	2165	4	J7T 762	CL118	1			
2.2	04.92 - 07.96	101	2165	4	J7T 760/J7T 761	CL118	1			
3.0 Biturbo 4x4	02.93 - 07.96	193	2963	6	Z7X 726	CL118	1			
3.0 V6	12.92 - 07.96	123	2963	6	Z7X 721/Z7X 723/_ 753/_ 722	CL118	1			
3.0 V6 4x4	12.92 - 07.96	123	2963	6	Z7X 721/Z7X 723/Z7X 722	CL118	1			
Safrane II (B54 _)										
2.0 16V	07.96 - 12.00	100	1948	4	N7Q 710/N7Q 711	CL136	1			twin coil for cyl 2-3
						CL137	1			twin coil for cyl 1-4
2.5 20V	07.96 - 12.00	121	2435	5	N7U 700/N7U 701	CL119	1			
2.9 24V	03.99 - 12.00	140	2946	6	L7X 713	CL140	1			rail coil for 3 cylinders
3.0 V6	07.96 - 12.00	123	2963	6	Z7X 755	CL118	1			
Sandero/Stepway I										
1.4	02.09 -	55	1390	4	K7J 710	CL116	1			
1.6	11.10 -	62	1598	4	K7M 718	CL116	1			
1.6	02.09 -	64	1598	4	K7M 710	CL116	4			pencil
1.6	12.07 -	75	1598	4	K7M 710	CL116	1			
1.6	12.07 -	76	1598	4		CL100	4			pencil
Scénic I (JA0/1 _)										
1.4 16V	09.99 - 08.03	70	1390	4	K4J 714/K4J 750	CL100	4			pencil
1.8 16V	01.01 - 08.03	85	1783	4	F4P 722/F4P 720	CL100	4			pencil
2.0 16V	07.00 - 08.03	102	1998	4	F4R 741/F4R 740/F4R 746	CL100	4			pencil
2.0 16V	09.99 - 08.03	103	1998	4	F4R 741/F4R 740/_ 744/_ 747	CL100	4			pencil
2.0 16V RX4	06.00 - 08.03	102	1998	4	F4R 746/F4R 744	CL100	4			pencil
Scénic II (JM0/1 _)										
1.4	06.03 -	72	1390	4	K4J 740/K4J 730/K4J 770	CL100	4			pencil
1.6	06.03 -	83	1598	4	K4M 761/K4M 782	CL100	4			pencil
1.6 16V	10.05 -	82	1598	4	K4M 812/K4M 766/K4M 813	CL100	4			pencil
2.0	06.03 -	99	1998	4	F4R 771/F4R 770	CL100	4			pencil
2.0 16V Turbo	05.04 -	120	1998	4	F4R 776	CL100	4			pencil
Scénic III (JZ0/1 _)										
1.2 TCe	04.12 -	85	1197	4	H5F 400	CL155	4			pencil
1.2 TCe	01.13 -	97	1197	4	H5F 404	CL155	4			pencil
1.4 16V	02.09 -	96	1397	4	H4J 700	CL152	4			pencil
1.6 16V	02.09 -	81	1598	4	K4M 858	CL100	4			pencil
1.6 E85	02.09 -	81	1598	4	K4M 866	CL100	4			pencil
2.0 16V	02.09 -	103	1997	4	M4R 711/M4R 710	CL153	4	CP050	4	pencil
Super 5 (B/C40 _)										
1.4	10.84 - 06.88	43	1397	4	C1J 780/C1J 768	CL118	1			
1.4	06.87 - 08.90	44	1397	4	C2J 784	CL118	1			
1.4	06.87 - 07.89	49	1397	4	C2J 782	CL118	1			
1.4	10.84 - 07.89	52	1397	4	C2J 789/C2J 700/C2J 780	CL118	1			
1.4 cat	10.85 - 12.96	43	1397	4	C3J 700/C3J 702/C3J 760	CL118	1			
1.4 Turbo	04.85 - 08.90	88	1397	4	C1J 784/C1J 782/C1J 788	CL118	1			
1.7	10.86 - 03.95	54	1721	4	F3N 716 /F3N 717	CL118	1			
1.7	06.87 - 03.95	64	1721	4	F2N 742/F2N 740	CL118	1			
1.7 i	10.86 - 08.91	69	1721	4	F3N 722/F3N 702	CL118	1			
Thalia I (LB0/1/2 _)										
1.2 16V	04.02 -	55	1149	4	D4F 712	CL130	1			coil with ignition cables
1.4	08.00 -	55	1390	4	K7J 700	CL116	1			
1.4 16V	08.00 -	72	1390	4	K4J 712	CL100	4			pencil
Thalia II (LU1/2 _)										
1.4	09.08 - 06.14	55	1390	4	K7J 700	CL116	1			
Traffic Bus (T5, T6, T7)										
1.7	06.86 - 04.89	50	1721	4	F1N 724	CL118	1			
2.0	06.86 - 04.89	59	1995	4	J5R 722/J5R 716/J5R 726	CL118	1			
2.0 4x4	06.86 - 04.89	59	1995	4	J5R 722/J5R 716/J5R 726	CL118	1			
Traffic Bus (TXW)										
1.7	08.92 - 08.94	50	1721	4	F1N 724	CL118	1			
2.0	05.89 - 08.90	59	1995	4	J5R 726	CL118	1			
2.2	05.89 - 06.94	70	2165	4	J7T 780	CL118	1			
2.2	06.94 - 10.97	74	2165	4	J7T 600	CL118	1			
2.2 4x4	05.89 - 06.94	70	2165	4	J7T 780	CL118	1			
2.2 4x4	06.94 - 10.97	74	2165	4	J7T 600	CL118	1			
Traffic Flatbed (P6)										
1.7	06.86 - 04.89	50	1721	4	F1N 722	CL118	1			

model	year	kW	cm ³	cyl	engine	coil	pcs	boot	pcs	info
RENAULT										
Trafic Flatbed (P6)										
2.0	03.80 - 04.89	59	1995	4	J5R 726	CL118	1			
2.0	03.80 - 12.86	63	1995	4	829 721/829 720	CL146	1			
2.0 4x4	05.85 - 02.89	60	1995	4	J5R 716	CL146	1			
Trafic Flatbed (PXX)										
1.7	05.89 - 08.94	50	1721	4	F1N 722	CL118	1			
2.0	03.89 - 12.91	60	1995	4	J5R 726	CL118	1			
2.0 RWD	05.89 - 10.97	59	1995	4	J5R 726	CL118	1			
2.2	05.89 - 06.94	70	2165	4	J7T 780	CL118	1			
2.2	09.94 - 04.98	74	2165	4	J7T 600	CL118	1			
2.2 4x4	09.94 - 04.98	74	2165	4	J7T 600	CL118	1			
Trafic II Bus (JL)										
2.0	03.01 -	88	1998	4	F4R 722/F4R 720	CL100	4			pencil
2.0 16V	08.06 -	86	1998	4	F4R 820	CL100	4			pencil
Trafic II Flatbed (EL)										
2.0	03.01 -	88	1998	4	F4R 720	CL100	4			pencil
2.0 16V	08.06 -	86	1998	4	F4R 820	CL100	4			pencil
Trafic II Van (FL)										
2.0	03.01 -	88	1998	4	F4R 722/F4R 720	CL100	4			pencil
2.0 16V	08.06 -	86	1998	4	F4R 820	CL100	4			pencil
Trafic Van (T1, T3, T4)										
1.7	06.86 - 04.89	50	1721	4	F1N 724	CL118	1			
2.0	06.86 - 04.89	59	1995	4	J5R 722/J5R 716/J5R 726	CL118	1			
2.0 4x4	06.86 - 04.89	59	1995	4	J5R 722/J5R 716/J5R 726	CL118	1			
Trafic Van (TXX)										
1.7	08.92 - 08.94	50	1721	4	F1N 720	CL118	1			
2.0	05.89 - 08.90	59	1995	4	J5R 716	CL118	1			
2.2	05.89 - 06.94	70	2165	4	J7T 780	CL118	1			
2.2	06.94 - 10.97	74	2165	4	J7T 600	CL118	1			
2.2 4x4	05.89 - 06.94	70	2165	4	J7T 780	CL118	1			
2.2 4x4	06.94 - 10.97	74	2165	4	J7T 600	CL118	1			
Twingo I (C06_)										
1.2	05.96 - 10.98	40	1149	4	D7F 700/D7F 701	CL131	1			year
	11.98 -	40	1149	4	D7F 700/D7F 701	CL116	1			year
1.2	03.93 - 10.96	40	1239	4	C3G 702/C3G 700	CL122	1			
1.2	05.96 - 10.98	43	1149	4	D7F 700/_702/_704/_701/_703	CL131	1			year
	11.98 - 06.07	43	1149	4	D7F 700/_702/_704/_701/_703	CL116	1			year
1.2 16V	08.04 - 06.07	44	1149	4	D4F 708	CL149	1			coil with ignition cables
						CL150	1			coil without ignition cables
1.2 16V	01.01 -	55	1149	4	D4F 702	CL130	1			coil with ignition cables
						CL150	1			coil without ignition cables
Twingo I Van (S06_)										
1.2	03.93 - 05.96	40	1239	4	C3G 702/C3G 700	CL122	1			
1.2	05.96 -	43	1149	4	D7F 706/D7F 701	CL131	1			
Twingo II (CN0_)										
1.2	03.07 -	43	1149	4	D7F 800	CL116	1			
1.2 16V	03.07 -	56	1149	4	D4F 772	CL149	1			coil with ignition cables
						CL150	1			coil without ignition cables
1.2 Turbo	03.07 -	74	1149	4	D4F 780/D4F 782	CL116	1			
1.6 RS	05.08 -	98	1598	4	K4M 854	CL100	4			pencil
Twingo III										
0.9 TCe 90	09.14 -	66	898	3	H4B 401	CL155	3			pencil
1.0 SCe 70	09.14 -	52	999	3	H4D 400	CL155	3			pencil
Vel Satis (BJ0_)										
2.0 16V Turbo	06.02 -	120	1998	4	F4R 762/F4R 763	CL100	4			pencil
2.0 16 V Turbo	04.04 -	125	1998	4	F4R 766/F4R 767	CL100	4			pencil
3.5 V6	06.02 -	177	3498	6	V4Y 701/V4Y 711	CL100	6			pencil
Wind (E4M_)										
1.6	07.10 -	98	1598	4	K4M 854	CL100	4			pencil
ROVER										
100 / Metro (XP)										
111 C/L/S	03.90 - 12.98	44	1119	4	11 K2D/11 K2A	CL700	1			
114 S/L/GTA	03.90 - 12.98	55	1396	4	14 K2D/14 K2A	CL700	1			
100 Cabriolet (XP)										
111	04.94 - 10.97	44	1119	4	11 K2D	CL700	1			
114	04.94 - 10.97	55	1396	4	14 K2D/14 K2A	CL700	1			
200 (RF)										
211	01.98 - 03.00	44	1119	4	11 K2D	CL700	1			
214 i	11.95 - 03.00	55	1396	4	14 K2F	CL700	1			
214 Si	11.95 - 03.00	76	1396	4	14 K4F	CL700	1			with distributor
						CL711	2			semidirect / pencil

model	year	kW	cm ³	cyl	engine	coil	pcs	boot	pcs	info
ROVER										
200 (RF)										
216 Si	11.95 - 03.00	82	1588	4	16 K4F	CL700	1			with distributor
						CL711	2			semidirect / pencil
218 K Vi	11.95 - 03.00	107	1796	4	18 K4K	CL708	2			semidirect / pencil
200 Coupe (XW)										
216	10.92 - 06.99	90	1590	4	D 16 A8	CL500	1			
200 Hatchback (XW)										
216 GSi	10.89 - 10.95	82	1590	4	D 16 Z2	CL500	1			
216 GTi	09.90 - 10.95	90	1590	4	D 16 A8	CL500	1			
25 (RF)										
1.4 16V	10.99 - 05.05	62	1396	4	14 K4M	CL700	1			with distributor
						CL711	2			semidirect / pencil
1.4 16V	10.99 - 05.05	76	1396	4	14 K4F	CL700	1			with distributor
						CL711	2			semidirect / pencil
1.6 16V	10.99 - 05.05	80	1588	4	16 K4F	CL700	1			with distributor
						CL711	2			semidirect / pencil
1.8 16V	10.99 - 05.05	85	1796	4	18 K4F	CL700	1			with distributor
						CL708	2			semidirect / pencil
1.8 16V	02.00 - 05.05	107	1796	4	18 K4K	CL708	2			semidirect / pencil
400 (RT)										
414 Si	05.95 - 03.00	76	1396	4	14 K4F	CL700	1			
416 Si	05.95 - 03.00	82	1588	4	16 K4F	CL700	1			
416 Si	05.95 - 03.00	83	1590	4	D 16 Y2	CL569	1			with distributor / built in
						CL700	1			with distributor / SAE
420 Si Lux	12.95 - 03.00	100	1994	4	20 T4H	CL106	1			
400 (XW)										
416 GSi	04.90 - 04.95	82	1590	4	D 16 Z2	CL500	1			
416 GTI	04.90 - 04.95	90	1590	4	D 16 A8	CL500	1			
400 Hatchback (RT)										
414	03.96 - 12.97	55	1396	4	14 K2F	CL700	1			
414 Si	05.95 - 03.00	76	1396	4	14 K4F	CL700	1			
416 Si	05.95 - 03.00	82	1588	4	16 K4F	CL700	1			
416 Si	06.95 - 03.00	83	1590	4	D 16 Y2	CL569	1			with distributor / built in
						CL700	1			with distributor / SAE
420 Si Lux	12.95 - 03.00	100	1994	4	20 T4H	CL106	1			
400 Tourer (XW)										
1.6 i	05.94 - 11.98	82	1590	4	D 16 Z2	CL700	1			
1.6 i	05.94 - 11.98	90	1590	4	D 16 A8	CL569	1			with distributor / built in
						CL700	1			with distributor / SAE
1.8 i	06.96 - 11.98	107	1796	4	18 K4K	CL708	2			semidirect / pencil
2.0 i	05.94 - 11.98	100	1994	4	20 T4H	CL106	1			
45 (RT)										
1.4	02.00 - 05.05	76	1396	4	14 K4F	CL711	2			semidirect / pencil
1.6	02.00 - 05.05	80	1588	4	16 K4F	CL711	2			semidirect / pencil
1.8	02.00 - 05.05	86	1796	4	18 K4F	CL708	2			semidirect / pencil
2.0 V6	02.00 - 05.05	110	1997	6	20 K4F	CL600	6	CP003	6	pencil
						CL711	3			semidirect / pencil
								CP008	6	for different pencil - OEM No. GCL306
45 Sedan (RT)										
1.4	02.00 - 05.05	76	1396	4	14 K4F	CL711	2			semidirect / pencil
1.6	02.00 - 05.05	80	1588	4	16 K4F	CL711	2			semidirect / pencil
1.8	02.00 - 05.05	86	1796	4	18 K4F	CL708	2			semidirect / pencil
2.0 V6	02.00 - 05.05	110	1997	6	20 K4F	CL600	6	CP003	6	pencil
						CL711	3			semidirect / pencil
								CP008	6	for different pencil - OEM No. GCL306
600 (RH)										
618 i/Si	03.96 - 02.99	85	1850	4	F 18 A3	CL569	1			
620 i	08.93 - 06.96	85	1997	4	F 20 Z2	CL501	1			
620 Si	08.93 - 02.99	96	1997	4	F 20 Z1	CL501	1			
620 Ti Vitesse	07.94 - 02.99	147	1994	4	20 T4G	CL501	1			
623 Si	08.93 - 02.99	116	2259	4	H 23 A3	CL501	1			
75 (RJ)										
1.8	02.99 - 05.05	88	1796	4	K 1.8	CL711	2			semidirect / pencil
1.8 Turbo	05.03 - 05.05	110	1796	4	18 K4G	CL711	2			semidirect / pencil
2.0 V6	02.99 - 03.03	110	1997	6	20 K4F	CL600	6	CP003	6	year / pencil
	04.03 - 05.05	110	1997	6	20 K4F	CL702	6			year / pencil
2.5 V6	02.99 - 03.99	129	2497	6	KV 6	CL600	6	CP003	6	year / pencil
	04.99 - 10.01	129	2497	6	KV 6	CL702	6			year / pencil
2.5 V6	10.01 - 03.03	130	2497	6	25 K4F	CL600	6	CP003	6	year / pencil
	04.03 - 05.05	130	2497	6	25 K4F	CL702	6			year / pencil
75 Tourer (RJ)										
1.8	08.01 - 05.05	88	1796	4	K 1.8	CL711	2			semidirect / pencil

model	year	kW	cm ³	cyl	engine	coil	pcs	boot	pcs	info
ROVER										
75 Tourer (RJ)										
1.8 Turbo	05.03 - 05.05	110	1796	4	18 K4G	CL711	2			semidirect / pencil
2.0 V6	08.01 - 05.05	110	1997	6	20 K4F	CL702	6			pencil
2.5 V6	08.01 - 03.03	130	2497	6	KV 6	CL600	6	CP003	6	year / pencil
	04.03 - 05.05	130	2497	6	KV 6	CL702	6			year / pencil
800 (XS)										
820 I/Sl	01.92 - 02.99	100	1996	4	20 T4H	CL106	1			
827 Sl/Sterling (XS)	02.88 - 12.91	130	2675	6	C 27 A2	CL716	1			
827 Sl/Sterling (XS) cat	02.88 - 02.99	124	2675	6	C 27 A1	CL716	1			
800 Coupe										
827 24V (RS)	08.92 - 02.99	124	2675	6	C 27 A1	CL716	1			
800 Hatchback (XS)										
820 I/Sl (XS)	01.93 - 02.99	100	1996	4	20 T4H	CL106	1			
827 24V I/Sl (RS) cat	01.92 - 02.99	124	2675	6	C 27 A1	CL716	1			
827 Vitesse (XS) cat	10.88 - 12.91	124	2675	6	C 27 A1	CL716	1			
827 Vitesse/SlI	10.88 - 12.91	130	2675	6	C 27 A2	CL716	1			
Cabriolet (XW)										
214 1.4i 16V	01.93 - 11.99	76	1396	4	14 K4F	CL711	2			semidirect / pencil
216 1.6i	01.92 - 11.99	90	1590	4	D 16 A8	CL500	1			
216 1.6i 16V	01.96 - 11.99	82	1588	4	16 K4F	CL700	1			
Coupe										
1.6 16 V	03.96 - 11.99	82	1588	4	16 K4F	CL700	1			
Mini										
1300	01.92 - 09.96	46	1275	4	12 A2E/12 A2L	CL106	1			
SAAB										
900 II										
2.0 -16 Turbo	07.93 - 02.98	136	1985	4	B204L	CL710	1			rail coil
2.0 i	08.94 - 02.98	96	1985	4	B204I	CL208	1			with distributor
						CL710	1			rail coil
2.3 -16	07.93 - 02.98	110	2290	4	B234I	CL208	1			
2.5 -24 V6	07.93 - 02.98	125	2498	6	B258I	CL210	1			
900 II Cabriolet										
2.0 -16 Turbo	12.93 - 02.98	136	1985	4	B204L	CL710	1			rail coil
2.0 i	12.93 - 02.98	96	1985	4	B204I	CL208	1			with distributor
						CL710	1			rail coil
2.3 -16	12.93 - 02.98	110	2290	4	B234I	CL208	1			
2.5 -24 V6	12.93 - 02.98	125	2498	6	B258I	CL210	1			
900 II Coupe										
2.0 -16 Turbo	12.93 - 02.98	136	1985	4	B204L	CL710	1			rail coil
2.0 i	08.94 - 02.98	96	1985	4	B204I	CL208	1			with distributor
						CL710	1			rail coil
2.0 i	12.93 - 07.94	98	1985	4	B206I	CL208	1			with distributor
						CL710	1			rail coil
2.3 -16	12.93 - 02.98	110	2290	4	B234I	CL208	1			
2.5 -24 V6	12.93 - 02.98	125	2498	6	B258I	CL210	1			
9000										
2.0 -16	01.89 - 01.93	94	1985	4	B202I	CL710	1			rail coil
2.0 -16 CD	09.93 - 12.98	96	1985	4	B202I/B204I	CL710	1			rail coil
2.0 -16 CD	09.93 - 12.98	110	1985	4	B204S/B204E/B202S	CL710	1			rail coil
2.0 -16 Turbo	05.88 - 08.93	118	1985	4	B202XL	CL710	1			rail coil
2.0 -16 Turbo	04.85 - 12.91	129	1985	4	B202XL	CL710	1			rail coil
2.0 -16 Turbo CD	09.92 - 12.98	108	1985	4	B204E/B202S	CL710	1			rail coil
2.0 -16 Turbo CD	09.88 - 08.93	120	1985	4	B202XL	CL710	1			rail coil
2.0 -16 Turbo CD	09.89 - 12.98	136	1985	4	B202L	CL710	1			rail coil
2.3 -16 CD	08.89 - 12.98	107	2290	4	B234I	CL710	1			rail coil
2.3 -16 CD Turbo	07.90 - 12.98	147	2290	4	B234I	CL710	1			rail coil
2.3 -16 CDE	09.93 - 12.98	108	2290	4	B234I	CL710	1			rail coil
2.3 -16 CDE Eco-Power	09.93 - 12.98	125	2290	4	B234E	CL710	1			rail coil
2.3 -16 Turbo	09.90 - 08.93	143	2290	4	B234L	CL710	1			rail coil
3.0 -24 V6 CD/CDE	07.94 - 12.98	155	2962	6	B308I	CL210	1			
9000 CC										
2.0 -16	12.85 - 12.88	92	1985	4	B202XI	CL710	1			rail coil
2.0 -16	12.85 - 08.88	94	1985	4	B202XI	CL710	1			rail coil
2.0 -16 CS	01.89 - 12.98	94	1985	4	B202I	CL710	1			rail coil
2.0 -16 CS	09.93 - 12.98	96	1985	4	B204I	CL710	1			rail coil
2.0 -16 ND Turbo	09.93 - 12.98	110	1985	4	B204S/B204E/B202S	CL710	1			rail coil
2.0 -16 Turbo	09.84 - 08.93	118	1985	4	B202XL	CL710	1			rail coil
2.0 -16 Turbo	05.88 - 08.93	120	1985	4	B202XL	CL710	1			rail coil
2.0 -16 Turbo	09.84 - 12.91	129	1985	4	B202XL/B202L	CL710	1			rail coil
2.0 -16 Turbo CS	09.88 - 12.98	136	1985	4	B202L	CL710	1			rail coil
2.3 -16 Aero CS	02.93 - 12.98	162	2290	4	B234R	CL710	1			rail coil
2.3 -16 Aero CS	02.93 - 12.98	165	2290	4	B234R	CL710	1			rail coil

model	year	kW	cm ³	cyl	engine	coil	pcs	boot	pcs	info
SAAB										
9000 CC										
2.3 -16 CS	09.89 - 12.98	107	2290	4	B234I	CL710	1			rail coil
2.3 -16 CSE	09.93 - 12.98	108	2290	4	B234I	CL710	1			rail coil
2.3 -16 CSE Eco Power	09.93 - 12.98	125	2290	4	B234E	CL710	1			rail coil
2.3 -16 Turbo	09.90 - 12.98	143	2290	4	B234L	CL710	1			rail coil
2.3 -16 Turbo CSE	09.93 - 12.98	147	2290	4	B234L	CL710	1			rail coil
3.0 -24 V6 CS/CSE	07.94 - 12.98	155	2962	6	B308I	CL210	1			
9-3 (YS3D)										
2.0 i	02.98 - 09.02	96	1985	4	B204I	CL208	1			with distributor
						CL705	1			rail coil
2.0 SE Turbo	02.98 - 09.02	147	1985	4	B204R	CL208	1			with distributor
						CL705	1			rail coil
2.0 Turbo	01.01 - 09.02	110	1985	4	B205E	CL705	1			rail coil
2.0 Turbo	10.98 - 09.02	113	1985	4	B204E	CL208	1			with distributor
						CL705	1			1 st rail coil type
						CL710	1			2 nd rail coil type
2.0 Turbo	02.98 - 09.02	136	1985	4	B205L/B204L	CL710	1			rail coil
2.0 Turbo	10.99 - 09.02	151	1985	4	B205R	CL710	1			rail coil
2.3 i	02.98 - 09.02	110	2290	4	B234I	CL208	1			with distributor
						CL705	1			1 st rail coil type
						CL710	1			2 nd rail coil type
2.3 Turbo	10.98 - 09.02	165	2290	4	B235R	CL705	1			1 st rail coil type
						CL710	1			2 nd rail coil type
9-3 (YS3F)										
1.8 i	01.04 -	90	1796	4	Z 18 XE	CL203	1	CP060	4	1 st rail coil type
						CL710	1			2 nd rail coil type
1.8 T	09.02 -	110	1998	4	B207E	CL710	1			rail coil
1.8 T BioPower	05.09 -	129	1998	4	B207L	CL710	1			rail coil
2.0 T	09.02 -	129	1998	4	B207L	CL710	1			rail coil
2.0 T	09.02 -	154	1998	4	B207R	CL710	1			rail coil
2.0 T	01.11 -	162	1998	4	A 20 NFT	CL237	4			pencil
2.0 T	05.09 -	177	1998	4	B207R	CL710	1			rail coil
2.0 T BioPower	01.07 -	129	1998	4	B207L	CL710	1			rail coil
2.0 T BioPower	05.09 -	147	1998	4	B207M	CL710	1			rail coil
2.0 T BioPower	09.02 -	154	1998	4	B207R	CL235	4			pencil
2.0 T BioPower	01.11 -	162	1998	4	A 20 NFT	CL237	4			pencil
2.0 T BioPower XWD	01.08 -	120	1998	4	B207H	CL710	1			rail coil
2.0 T BioPower XWD	01.08 -	154	1998	4	B207R	CL235	4			pencil
2.0 T BioPower XWD	01.08 -	162	1998	4	A 20 NFT	CL237	4			pencil
2.0 T XWD	01.07 -	120	1998	4	B207G	CL710	1			rail coil
2.0 T XWD	01.08 -	162	1998	4	A 20 NFT	CL237	4			pencil
2.0 Turbo XWD	01.08 -	154	1998	4	B207R	CL235	4			pencil
2.8 Turbo V6	03.05 -	184	2792	6	LP9	CL239	6	CP061	6	pencil
2.8 Turbo V6	12.07 -	188	2792	6	B284L	CL239	6	CP061	6	pencil
2.8 Turbo V6 XWD	05.08 -	206	2792	6	B284R	CL239	6	CP061	6	pencil
9-3 Cabriolet (YS3D)										
2.0 i	02.98 - 08.03	96	1985	4	B204I	CL208	1			with distributor
						CL705	1			rail coil
2.0 SE Turbo	02.98 - 08.03	147	1985	4	B204R	CL208	1			with distributor
						CL705	1			rail coil
2.0 Turbo	01.01 - 08.03	110	1985	4	B205E	CL705	1			rail coil
2.0 Turbo	10.98 - 08.03	113	1985	4	B204E	CL208	1			with distributor
						CL705	1			rail coil
2.0 Turbo	02.98 - 08.03	136	1985	4	B205L/B204L	CL208	1			with distributor
						CL705	1			rail coil
2.0 Turbo	10.99 - 08.03	151	1985	4	B205R	CL208	1			with distributor
2.3 i	02.98 - 08.03	110	2290	4	B234I	CL208	1			with distributor
						CL705	1			rail coil
2.3 Turbo	10.99 - 08.03	165	2290	4	B235R	CL705	1			rail coil
9-3 Cabriolet (YS3F)										
1.8 T	08.03 -	110	1998	4	B207E	CL235	4			pencil
2.0 T	01.11 -	162	1998	4	A 20 NFT	CL237	4			pencil
2.0 T	08.03 -	154	1998	4	B207R	CL235	4			pencil
2.0 T BioPower	01.11 -	162	1998	4	A 20 NFT	CL237	4			pencil
2.8 Turbo V6	02.06 -	184	2792	6	LP9	CL239	6	CP061	6	pencil
2.8 Turbo V6	12.07 -	188	2792	6	B284L	CL239	6	CP061	6	pencil
2.8 Turbo V6	02.09 -	203	2792	6	B284R	CL239	6	CP061	6	pencil
2.8 Turbo V6	02.09 -	206	2792	6	B284R	CL239	6	CP061	6	pencil
9-3 Combi (YS3F)										
1.8 i	03.05 -	90	1796	4	Z 18 XE	CL203	1	CP060	4	1 st rail coil type
						CL710	1			2 nd rail coil type
1.8 T 2.0	03.05 -	110	1998	4	B207E	CL235	4			pencil

model	year	kW	cm ³	cyl	engine	coil	pcs	boot	pcs	info
SAAB										
9-3 Combi (YS3F)										
2.0T	03.05 -	110	1998	4	B207E	CL710	1			rail coil
2.0T	03.05 -	129	1998	4	B207L	CL710	1			rail coil
2.0T	02.09 -	147	1998	4	B207M	CL710	1			rail coil
2.0T	03.05 -	154	1998	4	B207R	CL710	1			rail coil
2.0T	01.11 -	162	1998	4	A 20 NFT	CL237	4			pencil
2.0T BioPower	01.07 -	129	1998	4	B207L	CL710	1			rail coil
2.0T Bio Power	02.09 -	147	1998	4	B207M	CL710	1			rail coil
2.0T Bio Power XWD	06.08 -	154	1998	4	B207R	CL235	4			pencil
2.0T BioPower	01.11 -	162	1998	4	A 20 NFT	CL237	4			pencil
2.0T BioPower XWD	01.11 -	162	1998	4	A 20 NFT	CL237	4			pencil
2.0T XWD	06.08 -	154	1998	4	B207R	CL235	4			pencil
2.0T XWD	01.11 -	162	1998	4	A 20 NFT	CL237	4			pencil
2.8 Turbo V6	03.05 -	184	2792	6	LP9	CL239	6	CP061	6	pencil
2.8 Turbo V6	12.07 -	188	2792	6	B284L	CL239	6	CP061	6	pencil
2.8 Turbo V6 XWD	05.08 -	206	2792	6	B284R	CL239	6	CP061	6	pencil
9-3X										
2.0T BioPower XWD	01.11 -	162	1998	4	A 20 NFT	CL237	4			pencil
2.0T BioPower XWD	02.09 -	154	1998	4	B207R	CL235	4			pencil
2.0T XWD	02.09 -	154	1998	4	B207R	CL235	4			pencil
9-5 (YS3E)										
2.0T	09.97 -	110	1985	4	B205E	CL705	1			rail coil
2.0T	07.00 -	136	1985	4	B205L	CL705	1			rail coil
2.3T	09.97 -	125	2290	4	B235E	CL705	1			rail coil
2.3T	01.01 -	136	2290	4	B235E	CL705	1			rail coil
2.3 Turbo	07.03 -	162	2290	4	B235L	CL705	1			rail coil
2.3 Turbo	10.99 - 09.01	169	2290	4	B235R	CL705	1			rail coil
2.3 Turbo	09.01 -	184	2290	4	B235R	CL705	1			rail coil
2.3 Turbo	11.05 -	191	2290	4	B235R	CL705	1			rail coil
9-5 (YS3G)										
2.0T BioPower	05.10 -	162	1998	4	A 20 NFT	CL237	4			pencil
2.0T BioPower XWD	05.10 -	162	1998	4	A 20 NHT	CL237	4			pencil
2.0 Turbo	05.10 -	162	1998	4	A 20 NHT	CL237	4			pencil
2.0 Turbo XWD	05.10 -	162	1998	4	A 20 NHT	CL237	4			pencil
2.8 Turbo V6 XWD	05.10 - 01.12	221	2792	6	A 28 NER	CL245	6			pencil
9-5 Combi (YS3E)										
2.0T	10.98 -	110	1985	4	B205E	CL705	1			rail coil
2.0T	07.00 - 07.01	136	1985	4	B205L	CL705	1			rail coil
2.0T	10.98 -	141	1985	4	B204R	CL705	1			rail coil
2.3T	10.98 -	125	2290	4	B235E	CL705	1			rail coil
2.3T	01.01 -	136	2290	4	B235E	CL705	1			rail coil
2.3 T BioPower	11.06 -	154	2290	4	B235R	CL705	1			rail coil
2.3 Turbo	07.03 -	162	2290	4	B235L	CL705	1			rail coil
2.3 Turbo	10.99 - 09.01	169	2290	4	B235R	CL705	1			rail coil
2.3 Turbo	09.01 -	184	2290	4	B235R	CL705	1			rail coil
2.3 Turbo	01.06 -	191	2290	4	B235R	CL705	1			rail coil
SEAT										
Alhambra (7V8, 7V9)										
1.8T 20V	10.97 - 03.10	110	1781	4	AWC/AJH	CL004	4	CP001	4	pencil
2.0i	04.96 - 03.10	85	1984	4	ADY	CL001	1			engine code
				4	ATM	CL002	1			engine code
2.8 V6	06.00 - 03.10	150	2792	6	AYL/AUE	CL023	6			pencil
2.8 V6 4motion	06.00 - 03.10	150	2792	6	AYL/AUE	CL023	6			pencil
Alhambra (710, 711)										
1.4 TSI	06.10 -	110	1390	4	CNWB/CTHA/CAVA	CL003	4			pencil
1.8 TFSI	11.12 -	118	1798	4	CDA A	CL011	4			pencil
2.0 TSI	11.10 -	147	1984	4	CCZA	CL011	4			pencil
2.0 TSI	05.15 -	162	1984	4	DEDA	CL032	4			pencil
Altea (5P1)										
1.2 TSI	04.10 -	77	1197	4	CBZB	CL002	1			
1.4 16V	05.06 -	63	1390	4	CGGB/BXW	CL003	4			pencil
1.4 TSI	11.07 -	92	1390	4	CAXC	CL003	4			pencil
1.6	03.04 -	75	1595	4	BGU/CCSA/BSF/CMXA/BSE	CL002	1			
1.6 LPG	09.09 -	75	1595	4	CHGA	CL002	1			
1.8 TFSI	01.07 -	118	1798	4	BZB/CDA A/BYT	CL011	4			pencil
2.0 FSI	05.04 - 03.09	110	1984	4	BLR/BLY/BVZ/BVY	CL011	4			pencil
2.0 TFSI	04.06 - 05.09	147	1984	4	BWA	CL011	4			pencil
Altea XL (5P5, 5P8)										
1.2 TSI	04.10 -	77	1197	4	CBZB	CL002	1			
1.4 16V	10.06 -	63	1390	4	CGGB/BXW	CL003	4			pencil
1.4 TSI	11.07 -	92	1390	4	CAXC	CL003	4			pencil
1.6	10.06 -	75	1595	4	CCSA/BSF/CMXA/BSE	CL002	1			

model	year	kW	cm ³	cyl	engine	coil	pcs	boot	pcs	info
SEAT										
Altea XL (5P5, 5P8)										
1.6 LPG	09.09 -	75	1595	4	CHGA	CL002	1			
1.8 TFSI	01.07 -	118	1798	4	BZB/CDAA/BYT	CL011	4			pencil
2.0 FSI	10.06 - 03.09	110	1984	4	BVZ/BVY	CL011	4			pencil
2.0 TFSI 4x4	06.07 - 05.09	147	1984	4	BWA	CL011	4			pencil
2.0 TFSI 4x4	05.09 -	155	1984	4	CCZB	CL011	4			pencil
Arosa (6H)										
1.0	05.97 - 06.04	37	999	4	AER	CL001	1			engine code
				4	ANV/AUC	CL002	1			engine code
1.0	10.98 - 01.01	37	997	4	AHT	CL007	1			rail coil
1.4	05.97 - 06.04	44	1390	4	AEX	CL001	1			engine code
				4	ANW/AUD	CL002	1			engine code
1.4 16V	01.00 - 06.04	74	1390	4	AFK/AUB/AQQ	CL002	1			
Cordoba (6K1, 6K2)										
1.0 i	09.96 - 06.99	37	999	4	AER	CL001	1			
1.4	12.97 - 04.99	40	1390	4	ANX	CL001	1			
1.4 i	06.94 - 06.99	44	1390	4	AEX/AKV/ABD	CL001	1			
1.4 i 16V	09.96 - 06.99	74	1390	4	AFH	CL001	1			
1.6 i	05.94 - 06.99	55	1595	4	1F	CL001	1			
1.6 i	02.93 - 06.99	55	1598	4	ABU/ALM/AEE	CL001	1			
1.6 i	07.96 - 10.99	74	1595	4	AKL/AFT	CL001	1			
1.8 i	02.93 - 06.99	66	1781	4	ADZ/ABS	CL001	1			
1.8 i 16V	10.93 - 08.96	95	1781	4	ADL	CL001	1			coil socket with 3 pins
						CL019	1			coil socket with 6 pins
2.0 i	02.93 - 06.99	85	1984	4	2E	CL001	1			
2.0 i 16V	08.96 - 06.99	110	1984	4	ABF	CL001	1			
Cordoba (6K2)										
1.0	06.99 - 10.02	37	999	4	ANV/ALD/AUC	CL002	1			
1.4	06.99 - 10.02	44	1390	4	ANW/AKK/AUD	CL002	1			
1.4 16V	05.00 - 10.02	55	1390	4	APE/AUA	CL002	1			
1.4 16V	02.00 - 10.02	74	1390	4	AUB/AQQ	CL002	1			
1.6	06.99 - 10.02	55	1598	4	ALM	CL001	1			
1.6	06.99 - 10.02	74	1595	4	AKL/APF/AEH	CL002	1			
1.8 T 20V Cupra	07.00 - 10.02	115	1781	4	AYP/AQX	CL005	4			pencil
Cordoba (6L2)										
1.2	10.02 - 06.06	47	1198	3	AZQ/BME	CL003	3			pencil
1.2 12V	05.06 - 11.09	51	1198	3	BXV	CL003	3			pencil
1.4 16V	09.02 - 12.07	55	1390	4	BBY	CL003	4			pencil
1.4 16V	10.02 - 11.09	74	1390	4	BBZ	CL003	4			pencil
1.4 16V	05.06 - 11.09	63	1390	4	BXW	CL003	4			pencil
1.6	04.03 - 11.09	74	1598	4	BAH	CL002	1			
1.6 16V	11.06 - 11.09	77	1598	4	BTS	CL003	4			pencil
2.0	09.02 - 11.09	85	1984	4	AZL/BBX	CL002	1			
Cordoba Vario (6K5)										
1.4	06.99 - 12.02	44	1390	4	ANW/AKK/AUD	CL002	1			
1.4 16V	06.99 - 12.02	55	1390	4	APE/AUA	CL002	1			
1.4 i	09.96 - 06.99	44	1390	4	AEX/AKV	CL001	1			
1.6	06.99 - 12.02	55	1598	4	ALM	CL001	1			
1.6	06.99 - 12.02	74	1595	4	AKL/APF/AEH/AUR	CL002	1			
1.6 i	09.96 - 06.99	55	1598	4	ALM/AEE	CL001	1			
1.6 i	05.97 - 06.99	55	1595	4	1F	CL001	1			
1.6 i	09.96 - 06.99	74	1595	4	AFT	CL001	1			
Exeo (3R2)										
1.6	03.09 - 09.10	75	1595	4	ALZ	CL002	1			
1.8 T	12.08 - 05.10	110	1781	4	CFMA	CL002	1			
1.8 TSI	05.10 -	118	1798	4	CDHB	CL011	4			pencil
2.0 TFSI	03.09 -	147	1984	4	BWE	CL011	4			pencil
2.0 TFSI	05.10 -	155	1984	4	CDND	CL011	4			pencil
Exeo ST (3R5)										
1.6	06.09 - 09.10	75	1595	4	ALZ	CL002	1			
1.8 T	06.09 - 05.10	110	1781	4	CFMA	CL002	1			
1.8 TSI	09.10 -	88	1798	4	CDHA	CL011	4			pencil
1.8 TSI	05.10 -	118	1798	4	CDHB	CL011	4			pencil
2.0 TFSI	06.09 -	147	1984	4	BWE	CL011	4			pencil
2.0 TFSI	05.10 -	155	1984	4	CDND	CL011	4			pencil
Ibiza II (6K1)										
1.0	03.93 - 09.96	33	1043	4	AAU	CL001	1			
1.0 i	09.96 - 08.99	37	999	4	AER	CL001	1			
1.3 i	03.93 - 08.99	40	1272	4	2G/AAV	CL001	1			
1.4 i	09.93 - 08.99	44	1390	4	AEX/AKV/ABD/APQ	CL001	1			
1.4 i 16V	06.97 - 08.99	74	1390	4	AFH	CL001	1			
1.6 i	09.94 - 06.99	55	1595	4	1F	CL001	1			

model	year	kW	cm ³	cyl	engine	coil	pcs	boot	pcs	info
SEAT										
Ibiza II (6K1)										
1.6 i	03.93 - 08.99	55	1598	4	ABU/ALM/AEE	CL001	1			
1.6 i	04.96 - 08.99	74	1595	4	AFT	CL001	1			
1.8 i	03.93 - 08.99	66	1781	4	ADZ/ABS	CL001	1			coil socket with 3 pins
						CL019	1			coil socket with 6 pins
1.8 i 16V	11.93 - 08.96	95	1781	4	ADL	CL001	1			
2.0 i	03.93 - 08.99	85	1984	4	2E/AGG	CL001	1			
2.0 i 16V	08.96 - 08.99	110	1984	4	ABF	CL001	1			
Ibiza III (6K1)										
1.0	08.99 - 02.02	37	999	4	ANV/ALD/AUC	CL002	1			
1.4	08.99 - 02.02	44	1390	4	ANW/AKK/AUD	CL002	1			
1.4 16V	05.00 - 02.02	55	1390	4	APE/AUA	CL002	1			
1.4 16V	08.99 - 02.02	74	1390	4	AUB/AQQ	CL002	1			
1.6	08.99 - 02.02	55	1598	4	ALM	CL001	1			
1.6	08.99 - 02.02	74	1595	4	AKL/APF/AEH/AUR	CL002	1			
1.8 T 20V Cupra	07.00 - 02.02	115	1781	4	AYP/AQX	CL005	4			pencil
Ibiza IV (6L1)										
1.2	02.02 - 06.06	47	1198	3	AZQ	CL003	3			pencil
1.2	06.07 - 05.08	44	1198	3	BBM	CL009	3			pencil
1.2 12V	05.06 - 11.09	51	1198	3	BXV	CL003	3			pencil
1.4 16V	02.02 - 12.07	55	1390	4	BBY	CL003	4			pencil
1.4 16V	05.06 - 11.09	63	1390	4	BXW	CL003	4			pencil
1.4 16V	02.02 - 11.09	74	1390	4	AUB	CL002	1			coil 4xPIN / engine code
						CL003	4			pencil / engine code
1.6	02.03 - 11.09	74	1598	4	BAH	CL002	1			
1.6 16V	11.06 - 11.09	77	1598	4	BTS	CL003	4			pencil
1.8 T Cupra R	01.04 - 02.08	132	1781	4	BBU/BLZ	CL005	4			pencil
1.8 T FR	12.03 - 05.08	110	1781	4	BKV/BJX	CL005	4			pencil
2.0	04.02 - 11.09	85	1984	4	AZL/BBX	CL002	1			
Ibiza V (6J5, 6P5)										
1.2	07.09 -	44	1198	3	CGPB	CL003	3			pencil
1.2	03.08 -	51	1198	3	CJLB/BZG/CGPA	CL003	3			pencil
1.2 TSI	09.10 -	77	1197	4	CBZB	CL002	1			
1.4	03.08 -	63	1390	4	CGGB/BXW	CL003	4			pencil
1.4 TSI	06.09 -	110	1390	4	CAVF/CTHF/CNUB/CTJB	CL003	4			pencil
1.6	05.08 -	77	1598	4	BTS	CL003	4			pencil
Ibiza V Sportcoupe (6J1, 6P1)										
1.2	07.09 -	44	1198	3	CGPB	CL003	3			pencil
1.2	07.08 -	51	1198	3	CJLB/BZG/CGPA	CL003	3			pencil
1.2 TSI	09.10 -	77	1197	4	CBZB	CL002	1			
1.4	07.08 -	63	1390	4	CGGB/BXW	CL003	4			pencil
1.4 TSI	06.09 -	110	1390	4	CAVF/CTHF/CNUB/CTJB	CL003	4			pencil
1.4 TSI Cupra	06.09 -	132	1390	4	CTJC/CAVE/CTHE	CL003	4			pencil
1.6	07.08 -	77	1598	4	BTS	CL003	4			pencil
Ibiza V ST (6J8, 6P8)										
1.0	05.15 -	55	999	3	CHYB	CL031	3			pencil
1.0 TSI	05.15 -	70	999	3	CHZB	CL031	3			pencil
1.0 TSI	05.15 -	81	999	3	CHZC	CL031	3			pencil
1.2	05.10 -	44	1198	3	CGPB	CL003	3			pencil
1.2	05.10 -	51	1198	3	CJLB/BZG/CGPA	CL003	3			pencil
1.2 TSI	09.12 -	63	1197	4	CBZA	CL002	1			
1.2 TSI	09.10 -	77	1197	4	CBZB	CL002	1			
1.4	03.10 -	63	1390	4	CGGB	CL003	4			pencil
1.4 TSI	10.13 -	103	1395	4	CPTA	CL031	4			pencil
1.4 TSI	02.12 -	110	1390	4	CAVF/CTHF/CNUB/CTJB	CL003	4			pencil
Inca (6K9)										
1.4 16V	04.00 - 06.03	55	1390	4	AUA	CL002	1			
1.4 i	11.95 - 06.03	44	1390	4	AEX/AKV	CL001	1			engine code
						CL002	1			engine code
1.6 i	11.95 - 05.98	55	1595	4	1F	CL001	1			
1.6 i	06.97 - 09.00	55	1598	4	ALM/AEE	CL001	1			
Leon (1M1)										
1.4 16V	11.99 - 06.06	55	1390	4	AHW/AXP/APE	CL002	1			coil 4xPIN / engine code
						CL003	4			pencil / engine code
1.6	11.99 - 06.06	74	1595	4	AKL/APF/AEH	CL002	1			
1.6	10.05 - 06.06	75	1595	4	BGU/BFQ	CL002	1			
1.6 16V	09.00 - 06.06	77	1598	4	AUS	CL002	1			coil 4xPIN / engine code
						CL003	4			pencil / engine code
1.8 20V	11.99 - 06.06	92	1781	4	AGN/APG	CL002	1			
1.8 20VT	11.99 - 06.06	132	1781	4	APP/AUQ	CL005	4			pencil
1.8 20VT 4	11.99 - 06.06	132	1781	4	ARY	CL005	4			pencil
1.8 T Cupra R	02.02 - 06.06	154	1781	4	AMK	CL005	4			pencil



model	year	kW	cm ³	cyl	engine	coil	pcs	boot	pcs	info
SEAT										
Leon (1M1)										
1.8T Cupra R	07.03 - 06.06	165	1781	4	BAM	CL005	4			pencil
2.8 Cupra 4	02.01 - 06.06	150	2792	6	AUE	CL030	1			
Leon (1P1)										
1.2TSI	02.10 -	77	1197	4	CBZB	CL002	1			
1.4 16V	06.06 -	63	1390	4	CGGB/BXW	CL003	4			pencil
1.4TSI	11.07 -	92	1390	4	CAXC	CL003	4			pencil
1.6	07.05 -	75	1595	4	CCSA/BSF/CMXA/BSE	CL002	1			
1.6 LPG	12.09 -	75	1595	4	CHGA	CL002	1			
1.8TSI	06.07 -	118	1798	4	BZB/CDAA	CL011	4			pencil
2.0 Cupra R	09.09 -	195	1984	4	CDLA	CL011	4			pencil
2.0 FSI	07.05 - 05.10	110	1984	4	BLR/BLY/BVZ/BVY	CL011	4			pencil
2.0 TFSI	09.05 - 05.06	136	1984	4	BWA1	CL011	4			pencil
2.0 TFSI	05.05 - 03.09	147	1984	4	BWA	CL011	4			pencil
2.0 TFSI	06.09 -	155	1984	4	CCZB	CL011	4			pencil
2.0 TFSI	11.06 -	177	1984	4	BWJ/CDLD	CL011	4			pencil
Leon (5F1)										
1.2 TSI	12.12 -	63	1197	4	CJZB/CYVA	CL031	4			pencil
1.2 TSI	01.13 -	77	1197	4	CJZA	CL031	4			pencil
1.2 TSI	04.14 -	81	1197	4	CYVB	CL031	4			pencil
1.4 TSI	11.12 -	90	1395	4	CMBA/CXSA	CL031	4			pencil
1.4 TSI	05.14 -	92	1395	4	CZCA	CL031	4			pencil
1.4 TSI	09.12 -	103	1395	4	CHPA/CPTA	CL031	4			pencil
1.4 TSI	05.14 -	110	1395	4	CZEA	CL031	4			pencil
1.8 TSI	02.13 -	132	1798	4	CJSB/CJSA	CL032	4			pencil
2.0 Cupra	10.13 -	195	1984	4	CJXE	CL032	4			pencil
2.0 Cupra	10.13 -	206	1984	4	CJXA	CL032	4			pencil
Leon SC (5F5)										
1.0 TSI	05.15 -	85	999	3	CHZD	CL031	3			pencil
1.2 TSI	01.13 -	63	1197	4	CJZB/CYVA	CL031	4			pencil
1.2 TSI	02.13 -	77	1197	4	CJZA	CL031	4			pencil
1.2 TSI	05.14 -	81	1197	4	CYVB	CL031	4			pencil
1.4 TSI	02.13 -	90	1395	4	CMBA/CXSA	CL031	4			pencil
1.4 TSI	05.14 -	92	1395	4	CZCA	CL031	4			pencil
1.4 TSI	02.13 -	103	1395	4	CHPA/CPTA	CL031	4			pencil
1.4 TSI	05.14 -	110	1395	4	CZEA	CL031	4			pencil
1.8 TSI	02.13 -	132	1798	4	CJSB/CJSA	CL032	4			pencil
2.0 Cupra	10.13 -	195	1984	4	CJXE	CL032	4			pencil
2.0 Cupra	10.13 -	206	1984	4	CJXA	CL032	4			pencil
Leon ST (5F8)										
1.0 TSI	05.15 -	85	999	3	CHZD	CL031	3			pencil
1.2 TSI	11.13 -	63	1197	4	CJZB/CYVA	CL031	4			pencil
1.2 TSI	08.13 -	77	1197	4	CJZA	CL031	4			pencil
1.2 TSI	05.14 -	81	1197	4	CYVB	CL031	4			pencil
1.4 TGI	10.13 -	81	1395	4	CPWA	CL031	4			pencil
1.4 TSI	10.13 -	90	1395	4	CMBA/CXSA	CL031	4			pencil
1.4 TSI	05.14 -	92	1395	4	CZCA	CL031	4			pencil
1.4 TSI	10.13 -	103	1395	4	CHPA/CPTA	CL031	4			pencil
1.4 TSI	05.14 -	110	1395	4	CZEA	CL031	4			pencil
1.8 TSI	10.13 -	132	1798	4	CJSB/CJSA	CL032	4			pencil
1.8 TSI 4Drive	11.14 -	132	1798	4	CJSA	CL032	4			pencil
2.0 Cupra	10.13 -	195	1984	4	CJXE	CL032	4			pencil
2.0 Cupra	10.13 -	206	1984	4	CJXA	CL032	4			pencil
Mii (KF1_)										
1.0	10.11 -	44	999	3	CHYA	CL031	3			pencil
1.0	10.11 -	55	999	3	CHYB	CL031	3			pencil
1.0 EcoFuel	11.12 -	50	999	3	CPGA	CL031	3			pencil
Toledo I (1L)										
1.6 i	05.91 - 12.93	52	1595	4	1F	CL001	1			
1.6 i	05.91 - 03.99	54	1595	4	EZ/ABN/1F	CL001	1			
1.6 i	01.93 - 03.99	55	1595	4	1F	CL001	1			
1.6 i	11.96 - 03.99	74	1595	4	AFT	CL001	1			
1.8 16V	05.91 - 03.99	92	1781	4	PL	CL018	1			
1.8 16V	05.91 - 03.99	98	1781	4	KR	CL018	1			
1.8 i	05.91 - 12.96	65	1781	4	RP	CL018	1			
1.8 i	11.93 - 12.96	66	1781	4	ADZ/ABS	CL001	1			
2.0 i	05.91 - 03.99	85	1984	4	2E	CL001	1			coil socket with 3 pins
						CL019	1			coil socket with 6 pins
2.0 i 16V	11.93 - 03.99	110	1984	4	ABF	CL001	1			coil socket with 3 pins
						CL019	1			coil socket with 6 pins
Toledo II (1M2)										
1.4 16V	01.00 - 05.02	55	1390	4	AHW/AXP/BCA/APE/AUA	CL002	1			

model	year	kW	cm ³	cyl	engine	coil	pcs	boot	pcs	info
SEAT										
◀ Toledo II (1M2)										
1.6	10.98 - 07.04	74	1595	4	AKL/APF/AEH	CL002	1			
1.6 16V	06.00 - 05.06	77	1598	4	AUS	CL002	1			coil 4xPIN / engine code
				4	BCB/AZD	CL003	4			pencil / engine code
1.8 20V	10.98 - 07.04	92	1781	4	AGN/APG	CL002	1			
1.8 20VT	09.00 - 07.04	132	1781	4	APP/AUQ	CL005	4			pencil
2.3 V5	10.98 - 11.00	110	2324	5	AGZ	CL020	1			
2.3 V5 20V	09.00 - 11.03	125	2324	5	AQN	CL023	5			pencil
Toledo III (5P2)										
1.6	10.04 - 05.09	75	1595	4	BGU/BSF/BSE	CL002	1			
1.8 TFSI	01.07 - 05.09	118	1798	4	BZB/CDA/AYT	CL011	4			pencil
2.0 FSI	10.04 - 05.09	110	1984	4	BLR/BLY/BVZ/BVY	CL011	4			pencil
2.0 TFSI	11.05 - 05.09	147	1984	4	BWA	CL011	4			pencil
Toledo IV (KG3)										
1.2	07.12 -	55	1198	3	CGPC	CL003	3			pencil
1.2 TSI	07.12 -	63	1197	4	CBZA	CL002	1			
1.2 TSI	07.12 -	77	1197	4	CBZB	CL002	1			
1.2 TSI	05.15 -	81	1197	4	CJZD	CL031	4			pencil
1.4 TSI	07.12 -	90	1390	4	CAXA	CL003	4			pencil
1.4 TSI	05.15 -	92	1395	4	CZCA	CL031	4			pencil
1.6	07.13 -	77	1598	4	CFNA	CL003	4			pencil
SKODA										
130 G, GL (S136)										
1.3	05.88 - 10.91	46	1280	4		CL012	1			
130 GL										
1.3	08.87 - 10.91	39	1280	4		CL012	1			
130 GL (S135)										
1.3	05.88 - 10.91	43	1280	4	135/8	CL012	1			
130 L, GL										
1.3	02.85 - 10.91	45	1280	4	742.13	CL012	1			
Citigo										
1.0	10.11 -	44	999	3	CHYA	CL031	3			pencil
1.0	10.11 -	55	999	3	CHYB	CL031	3			pencil
1.0 CNG	11.12 -	50	999	3	CPGA	CL031	3			pencil
Fabia (6Y2)										
1.0	12.99 - 08.02	37	996	4	AQV/ARV	CL007	1			rail coil
1.2	08.02 - 03.08	40	1198	3	AWY/BMD	CL009	3			pencil
1.2	01.03 - 03.08	47	1198	3	AZQ/BME	CL003	3			pencil
1.4	08.00 - 08.02	44	1397	4	AZF/AZE	CL007	1			rail coil
1.4	08.99 - 05.03	50	1397	4	AME/ATZ/AQW	CL007	1			rail coil
1.4 16V	12.99 - 03.08	55	1390	4	AUA	CL002	1			coil 4xPIN / engine code
				4	BBY/BKY	CL003	4			pencil / engine code
1.4 16V	12.99 - 03.08	74	1390	4	AUB	CL002	1			coil 4xPIN / engine code
				4	BBZ	CL003	4			pencil / engine code
2.0	12.99 - 03.08	85	1984	4	AZL	CL002	1			
Fabia										
1.2	12.06 - 12.14	44	1198	3	BBM/CHFA	CL009	3			pencil
1.2	01.07 - 12.14	51	1198	3	CEVA/BZG/CGPA/CHTA	CL003	3			pencil
1.2 12V	11.11 - 12.14	44	1198	3	CGPB	CL009	3			pencil
1.2 TSI	03.10 - 12.14	63	1197	4	CBZA	CL002	1			
1.2 TSI	03.10 - 12.14	77	1197	4	CBZB	CL002	1			
1.4	01.07 - 12.14	63	1390	4	CGGB/BXW	CL003	4			pencil
1.4 TSI RS	05.10 - 12.14	132	1390	4	CAVE/CTHE	CL003	4			pencil
1.6	04.07 - 12.14	77	1598	4	BTS/CFNA	CL003	4			pencil
Fabia (NJ3)										
1.0	08.14 -	44	999	3	CHYA	CL031	3			pencil
1.0	08.14 -	55	999	3	CHYB	CL031	3			pencil
1.2 TSI	08.14 -	66	1197	4	CJZC	CL031	4			pencil
1.2 TSI	08.14 -	81	1197	4	CJZD	CL031	4			pencil
Fabia Combi (6Y5)										
1.2	07.01 - 12.07	40	1198	3	AWY/BMD	CL009	3			pencil
1.2	01.03 - 12.07	47	1198	3	AZQ/BME	CL003	3			pencil
1.4	04.00 - 03.03	44	1397	4	AZF/AZE	CL007	1			rail coil
1.4	04.00 - 05.03	50	1397	4	AME/ATZ/AQW	CL007	1			rail coil
1.4 16V	05.00 - 12.07	55	1390	4	AUA	CL002	1			coil 4xPIN / engine code
				4	BBY/BKY	CL003	4			pencil / engine code
1.4 16V	04.06 - 12.07	59	1390	4	BUD	CL003	4			pencil
1.4 16V	04.00 - 12.07	74	1390	4	AUB	CL002	1			coil 4xPIN / engine code
				4	BBZ	CL003	4			pencil / engine code
2.0	04.00 - 12.07	85	1984	4	AZL	CL002	1			
Fabia Combi										
1.2	10.07 - 11.14	44	1198	3	BBM/CHFA	CL009	3			pencil



model	year	kW	cm ³	cyl	engine	coil	pcs	boot	pcs	info
SKODA										
◀ Fabia Combi										
1.2	10.07 - 12.14	51	1198	3	CEVA/BZG/CGPA/CHTA	CL003	3			pencil
1.2 12V	11.11 - 12.14	44	1198	3	CGPB	CL009	3			pencil
1.2 TSI	03.10 - 12.14	63	1197	4	CBZA	CL002	1			
1.2 TSI	03.10 - 12.14	77	1197	4	CBZB	CL002	1			
1.4	10.07 - 12.14	63	1390	4	CGGB/BXW	CL003	4			pencil
1.4 TSI RS	05.10 - 12.14	132	1390	4	CAVE/CTHE	CL003	4			pencil
1.6	10.07 - 12.14	77	1598	4	BTS/CFNA	CL003	4			pencil
Fabia Combi (NJ5)										
1.0	10.14 -	44	999	3	CHYA	CL031	3			pencil
1.0	10.14 -	55	999	3	CHYB	CL031	3			pencil
1.2 TSI	10.14 -	66	1197	4	CJZC	CL031	4			pencil
1.2 TSI	10.14 -	81	1197	4	CJZD	CL031	4			pencil
Fabia Praktik										
1.2	07.01 - 12.07	40	1198	3	AWY/BMD	CL009	3			pencil
1.2	01.03 - 12.07	47	1198	3	AZQ/BME	CL003	3			pencil
1.4	07.01 - 05.03	50	1397	4	AME/ATZ/AQW	CL007	1			rail coil
Fabia Sedan (6Y3)										
1.2	07.01 - 12.07	40	1198	3	AWY/BMD	CL009	3			pencil
1.2	01.03 - 12.07	47	1198	3	AZQ/BME	CL003	3			pencil
1.4	04.00 - 08.02	44	1397	4	AZF/AZE	CL007	1			rail coil
1.4	07.01 - 05.03	50	1397	4	AME/ATZ/AQW	CL007	1			rail coil
1.4 16V	10.99 - 12.07	55	1390	4	AUA	CL002	1			coil 4xPIN / engine code
				4	BBY/BKY	CL003	4			pencil / engine code
1.4 16V	04.06 - 12.07	59	1390	4	BUD	CL003	4			pencil
1.4 16V	12.99 - 12.07	74	1390	4	AUB	CL002	1			coil 4xPIN / engine code
				4	BBZ	CL003	4			pencil / engine code
2.0	12.99 - 12.07	85	1984	4	AZL	CL002	1			
Favorit (781)										
1.3 carb	07.91 -	43	1289	4	781.135	CL012	1			carburettor
1.3 carb	09.88 - 07.91	46	1289	4	781.136	CL012	1			carburettor
1.3 carb	03.93 - 09.94	50	1289	4	781.136X	CL012	1			carburettor
1.3 SPI	03.93 - 06.95	40	1289	4	781.135B	CL001	1			injection SPI
1.3 SPI	03.93 - 06.95	50	1289	4	781.136B	CL001	1			injection SPI
Favorit Forman (785)										
1.3 carb	07.91 -	43	1289	4	781.135	CL012	1			carburettor
1.3 carb	- 07.91	46	1289	4	781.136	CL012	1			carburettor
1.3 carb	03.93 - 09.94	50	1289	4	781.136X	CL012	1			carburettor
1.3 SPI	03.93 - 06.95	40	1289	4	781.135B	CL001	1			injection SPI
1.3 SPI	03.93 - 06.95	50	1289	4	781.136B	CL001	1			injection SPI
Favorit Pick-up (787)										
1.3 carb	07.91 -	43	1289	4	781.135	CL012	1			carburettor
1.3 carb	- 07.91	46	1289	4	781.136	CL012	1			carburettor
1.3 carb	03.93 - 09.94	50	1289	4	781.136X	CL012	1			carburettor
1.3 SPI	03.93 - 06.95	40	1289	4	781.135B	CL001	1			injection SPI
1.3 SPI	03.93 - 06.95	50	1289	4	781.136B	CL001	1			injection SPI
Felicia I (6U1)										
1.3	10.94 - 03.98	40	1289	4	135B/AMG	CL001	1			
1.3	10.94 - 03.98	43	1289	4	AMJ/135 L	CL013	1			
1.3	10.94 - 03.98	50	1289	4	136B/AMH	CL001	1			
1.6 LX	08.95 - 03.98	55	1598	4	EA111/AEE	CL001	1			
Felicia I Combi (6U5)										
1.3	08.95 - 03.98	43	1289	4	AMJ/135 L	CL013	1			
1.3 LX	08.95 - 03.98	40	1289	4	135B/AMG	CL001	1			
1.3 LXI	08.95 - 03.98	50	1289	4	136B/AMH	CL001	1			
1.6 GLX	08.95 - 03.98	55	1598	4	AEE	CL001	1			
Felicia I Pick-up (797)										
1.3	06.97 - 04.02	40	1289	4	135B/135M/AMG	CL001	1			
1.3	06.97 - 04.02	50	1289	4	136B/136M/AMH	CL001	1			
1.6	06.97 - 04.02	55	1598	4	AEE	CL001	1			
Felicia II (6U1)										
1.3	01.98 - 06.01	40	1289	4	AMG	CL008	1			rail coil
1.3	01.98 - 06.01	43	1289	4	AMJ	CL008	1			rail coil
1.3	01.98 - 06.01	50	1289	4	AMH	CL008	1			rail coil
1.6	01.98 - 06.01	55	1598	4	AEE	CL001	1			
Felicia II Combi (6U5)										
1.3	01.98 - 06.01	50	1289	4	AMH	CL008	1			rail coil
1.6	01.98 - 06.01	55	1598	4	AEE	CL001	1			
Octavia (1U2)										
1.4	04.99 - 03.01	44	1397	4	AMD	CL007	1			rail coil
1.4 16V	09.00 - 12.10	55	1390	4	AXP/BCA	CL002	1			
1.6	09.96 - 09.04	55	1598	4	AEE	CL001	1			

model	year	kW	cm ³	cyl	engine	coil	pcs	boot	pcs	info
SKODA										
Octavia (1U2)										
1.6	02.97 - 12.07	74	1595	4	AKL/AEH	CL002	1			
1.6	11.00 - 12.10	75	1595	4	AVU/BFQ	CL002	1			
1.8	09.96 - 07.00	92	1781	4	AGN	CL002	1			
1.8T	08.97 - 12.10	110	1781	4	AGU	CL004	4	CP001	4	pencil / engine code
					ARX/ARZ/AUM	CL005	4			pencil / engine code
1.8T 4x4	05.01 - 05.06	110	1781	4	AGU	CL004	4	CP001	4	pencil / engine code
					ARX/AUM	CL005	4			pencil / engine code
1.8 T RS	05.01 - 01.06	132	1781	4	AUQ	CL005	4			pencil
2.0	04.99 - 05.07	85	1984	4	APK/AZH/AZJ/AQY/AEG	CL002	1			
Octavia (1Z3)										
1.2 TSI	02.10 - 06.13	77	1197	4	CBZB	CL002	1			
1.4	05.04 - 05.06	55	1390	4	BCA	CL003	4			pencil
1.4	06.04 - 04.13	59	1390	4	BUD/CGGA	CL003	4			pencil
1.4 TSI	11.08 - 06.13	90	1390	4	CAXA	CL003	4			pencil
1.6	06.04 - 06.13	75	1595	4	BGU/CCSA/BSF/CMXA/BSE	CL002	1			
1.6 FSI	02.04 - 10.08	85	1598	4	BLF	CL003	4			pencil
1.6 LPG	08.09 - 11.12	75	1595	4	CHGA	CL002	1			
1.6 MultiFuel	01.08 - 06.13	75	1595	4	CCSA/CMXA	CL002	1			
1.8 TSI	06.07 - 04.13	118	1798	4	BZB/CDA	CL011	4			pencil
2.0 FSI	11.04 - 10.08	110	1984	4	BLY/BLR/BVZ/BVY	CL011	4			pencil
2.0 RS	10.05 - 02.13	147	1984	4	BWA/CCZA	CL011	4			pencil
Octavia (5E3)										
1.2 TSI	11.12 -	63	1197	4	CJZB	CL031	4			pencil
1.2 TSI	11.12 -	77	1197	4	CJZA	CL031	4			pencil
1.2 TSI	05.15 -	81	1197	4	CYVB	CL031	4			pencil
1.4 TSI	11.12 -	103	1395	4	CHPA	CL031	4			pencil
1.4 TSI	08.14 -	110	1395	4	CZDA/CHPB	CL031	4			pencil
1.4 TSI G-Tec	11.13 -	81	1395	4	CPWA	CL031	4			pencil
1.6	01.14 -	81	1598	4	CWVA	CL031	4			pencil
1.8 TSI	11.12 -	132	1798	4	CJSA	CL032	4			pencil
1.8 TSI 4x4	09.14 -	132	1798	4	CJSA	CL032	4			pencil
2.0 TSI RS	05.13 -	162	1984	4	CHHB	CL032	4			pencil
2.0 TSI RS	05.15 -	169	1984	4	CHHA	CL032	4			pencil
Octavia Combi (1U5)										
1.4 16V	08.00 - 12.10	55	1390	4	AXP/BCA	CL002	1			
1.6	07.98 - 09.04	55	1598	4	AEE	CL001	1			
1.6	07.98 - 12.07	74	1595	4	AKL/AEH	CL002	1			
1.6	09.00 - 12.10	75	1595	4	AVU/BFQ	CL002	1			
1.8 20V	07.98 - 07.00	92	1781	4	AGN	CL002	1			
1.8T	07.98 - 12.10	110	1781	4	AGU	CL004	4	CP001	4	pencil / engine code
					ARX/ARZ/AUM	CL005	4			pencil / engine code
1.8T 4x4	05.01 - 05.06	110	1781	4	AGU	CL004	4	CP001	4	pencil / engine code
					ARX/AUM	CL005	4			pencil / engine code
1.8 T RS	08.02 - 01.06	132	1781	4	AUQ	CL005	4			pencil
2.0	04.99 - 05.07	85	1984	4	APK/AZH/AQY/AEG	CL002	1			engine code
2.0 4x4	08.00 - 09.04	85	1984	4	AZJ	CL010	1			engine code
					AZH	CL002	1			engine code
2.0 4x4	01.00 - 12.10	88	1984	4	AZJ	CL010	1			engine code
					ATF	CL002	1			
Octavia Combi (1Z5)										
1.2 TSI	02.10 - 04.13	77	1197	4	CBZB	CL002	1			
1.4	05.06 - 06.13	59	1390	4	BUD/CGGA	CL003	4			pencil
1.4 TSI	11.08 - 06.13	90	1390	4	CAXA	CL003	4			pencil
1.6	09.04 - 06.13	75	1595	4	BGU/CCSA/BSF/CMXA/BSE	CL002	1			
1.6 FSI	02.04 - 10.08	85	1598	4	BLF	CL003	4			pencil
1.6 LPG	08.09 - 11.12	75	1595	4	CHGA	CL002	1			
1.6 MultiFuel	01.08 - 06.13	75	1595	4	CCSA/CMXA	CL002	1			
1.8 TSI	06.07 - 04.13	118	1798	4	BZB/CDA	CL011	4			pencil
1.8 TSI 4x4	11.08 - 02.13	118	1798	4	CDA	CL011	4			pencil
2.0 FSI	11.04 - 10.08	110	1984	4	BLY/BLR/BVZ/BVY	CL011	4			pencil
2.0 FSI 4x4	11.04 - 10.08	110	1984	4	BVX/BLX	CL011	4			pencil
2.0 RS	10.05 - 02.13	147	1984	4	BWA/CCZA	CL011	4			pencil
Octavia Combi (5E5)										
1.2 TSI	11.12 -	63	1197	4	CJZB	CL031	4			pencil
1.2 TSI	11.12 -	77	1197	4	CJZA	CL031	4			pencil
1.2 TSI	05.15 -	81	1197	4	CYVB	CL031	4			pencil
1.4 TSI	11.12 -	103	1395	4	CHPA	CL031	4			pencil
1.4 TSI	08.14 -	110	1395	4	CZDA/CHPB	CL031	4			pencil
1.4 TSI G-Tec	11.13 -	81	1395	4	CPWA	CL031	4			pencil
1.6	01.14 -	81	1598	4	CWVA	CL031	4			pencil
1.8 TSI	11.12 -	132	1798	4	CJSB/CJSA	CL032	4			pencil

model	year	kW	cm ³	cyl	engine	coil	pcs	boot	pcs	info
SKODA										
◀ Octavia Combi (5E5)										
1.8 TSI 4x4	11.12 -	132	1798	4	CJSB	CL032	4			pencil
2.0 TSI RS	11.12 -	162	1984	4	CHHB	CL032	4			pencil
2.0 TSI RS	05.15 -	169	1984	4	CHHA	CL032	4			pencil
Rapid (120G, 130G, 135G)										
1.3 (130G)	08.87 - 10.91	39	1280	4		CL012	1			
1.3 (130G)	03.85 - 08.88	45	1280	4	742,13	CL012	1			
1.3 S (135GL)	09.84 - 12.90	43	1280	4	135/8	CL012	1			
Rapid (NH3)										
1.2	07.12 -	55	1198	3	CGPC	CL003	3			pencil
1.2 TSI	07.12 -	63	1197	4	CBZA	CL002	1			
1.2 TSI	05.15 -	66	1197	4	CJZC	CL031	4			pencil
1.2 TSI	07.12 -	77	1197	4	CBZB	CL002	1			
1.4 TSI	07.12 -	90	1390	4	CAXA	CL003	4			pencil
1.4 TSI	05.15 -	92	1395	4	CZCA	CL031	4			pencil
1.6	07.12 -	77	1598	4	CFNA	CL003	4			pencil
Rapid Spaceback (NH1)										
1.2	07.12 -	55	1198	3	CGPC	CL003	3			pencil
1.2 TSI	07.12 -	63	1197	4	CBZA	CL002	1			
1.2 TSI	05.15 -	66	1197	4	CJZC	CL031	4			pencil
1.2 TSI	07.12 -	77	1197	4	CBZB	CL002	1			
1.4 TSI	07.12 -	90	1390	4	CAXA	CL003	4			pencil
1.4 TSI	05.15 -	92	1395	4	CZCA	CL031	4			pencil
1.6	07.12 -	77	1598	4	CFNA	CL003	4			pencil
Roomster (5J)										
1.2	05.06 - 01.07	47	1198	3	BME	CL003	3			pencil
1.2	01.07 -	51	1198	3	BZG/CGPA	CL003	3			pencil
1.2 TSI	03.10 -	63	1197	4	CBZA	CL002	1			
1.2 TSI	03.10 -	77	1197	4	CBZB	CL002	1			
1.4	09.06 -	63	1390	4	CGGB/BXW	CL003	4			pencil
1.6	09.06 -	77	1598	4	BTS/CFNA	CL003	4			pencil
Roomster Praktik (5J)										
1.2	03.07 -	51	1198	3	BZG/CGPA	CL003	3			pencil
1.2 TSI	03.10 -	63	1197	4	CBZA	CL002	1			
1.4	03.07 -	63	1390	4	CGGB/BXW	CL003	4			pencil
Superb (3U4)										
1.8 T	12.01 - 03.08	110	1781	4	AWT	CL005	4			pencil
2.0	12.01 - 03.08	85	1984	4	AZM	CL002	1			
2.8 V6	12.01 - 03.08	142	2771	6	AMX	CL006	1			
Superb (3T4)										
1.4 TSI	07.08 -	92	1390	4	CAXC	CL003	4			pencil
1.8 TSI	03.08 -	118	1798	4	BZB/CDA	CL011	4			pencil
1.8 TSI 4x4	11.08 -	118	1798	4	CDA	CL011	4			pencil
2.0 TSI	05.10 -	147	1984	4	CCZA	CL011	4			pencil
3.6 V6 4x4	11.08 -	191	3580	6	CDVA	CL016	6			pencil
Superb (3V3)										
1.4 TSI	03.15 -	92	1395	4	CZCA	CL031	4			pencil
1.4 TSI	03.15 -	110	1395	4	CZDA/CZEA	CL031	4			pencil
1.4 TSI 4x4	03.15 -	110	1395	4	CZDA/CZEA	CL031	4			pencil
2.0 TSI	03.15 -	162	1984	4	CHHB	CL032	4			pencil
2.0 TSI 4x4	03.15 -	206	1984	4	CJXA	CL032	4			pencil
Superb Combi (3T5)										
1.4 TSI	10.09 -	92	1390	4	CAXC	CL003	4			pencil
1.8 TSI	10.09 -	118	1798	4	CDA	CL011	4			pencil
1.8 TSI 4x4	10.09 -	118	1798	4	CDA	CL011	4			pencil
2.0 TSI	05.10 -	147	1984	4	CCZA	CL011	4			pencil
3.6 V6 4x4	10.09 -	191	3580	6	CDVA	CL016	6			pencil
Superb Combi (3V5)										
1.4 TSI	03.15 -	92	1395	4	CZCA	CL031	4			pencil
1.4 TSI	03.15 -	110	1395	4	CZDA/CZEA	CL031	4			pencil
1.4 TSI 4x4	03.15 -	110	1395	4	CZDA/CZEA	CL031	4			pencil
1.8 TSI	03.15 -	132	1798	4	CJSA/CJSC	CL032	4			pencil
2.0 TSI	03.15 -	162	1984	4	CHHB	CL032	4			pencil
2.0 TSI 4x4	03.15 -	206	1984	4	CJXA	CL032	4			pencil
Yeti (5L)										
1.2 TSI	09.09 -	77	1197	4	CBZB	CL002	1			
1.2 TSI	05.15 -	81	1197	4	CYVB	CL031	4			pencil
1.4 TSI	06.10 -	90	1390	4	CAXA	CL003	4			pencil
1.4 TSI	05.15 -	92	1395	4	CZCA	CL031	4			pencil
1.4 TSI 4x4	05.15 -	110	1395	4	CZDA	CL031	4			pencil
1.6	04.14 - 02.15	81	1598	4	CWVA	CL031	4			pencil
1.8 TSI 4x4	11.09 -	112	1798	4	CDAB	CL011	4			pencil

model	year	kW	cm ³	cyl	engine	coil	pcs	boot	pcs	info
SKODA										
Yeti (5L)										
1.8TSI 4x4	05.09 -	118	1798	4	CDA4	CL011	4			pencil
SMART										
Cabrio (450)										
0.6	03.00 - 01.04	40	599	3	M 160 E6AL B03/M 160.920	CL607	3			
0.6	01.01 - 01.04	45	599	3	M 160 E6AL B05/M 160.920	CL607	3			
0.6	06.02 - 01.04	52	599	3	M 160.920	CL607	3			
0.7	01.03 - 01.04	45	698	3	M 160.910	CL607	3			
0.7	01.03 - 01.04	55	698	3	M 160.910	CL607	3			
City-Coupe (450)										
0.6	07.98 - 01.04	33	599	3	M 160 E6AL B04/M 160.920	CL607	3			
0.6	07.98 - 01.04	40	599	3	M 160 E6AL B03/M 160.920	CL607	3			
0.6	01.01 - 01.04	45	599	3	M 160 E6AL B05/M 160.920	CL607	3			
0.6	06.02 - 01.04	52	599	3	M 160.920	CL607	3			
0.7	01.03 - 01.04	37	698	3	M 160.910	CL607	3			
0.7	01.03 - 01.04	45	698	3	M 160.910	CL607	3			
0.7	01.03 - 01.04	55	698	3	M 160.910	CL607	3			
Crossblade (450)										
0.6	06.02 - 12.03	52	599	3	M 160.920	CL607	3			
Forfour (454)										
1.1	02.05 - 06.06	47	1124	3	M 134.911	CL597	3			pencil
1.1	01.04 - 06.06	55	1124	3	M 134.910	CL597	3			pencil
1.3	01.04 - 06.06	70	1332	4	M 135.930	CL597	4			pencil
1.5	01.04 - 06.06	80	1499	4	M 135.950	CL597	4			pencil
Fortwo Cabrio (450)										
0.7	01.04 - 01.07	45	698	3	M 160.910	CL607	3			
0.7	01.04 - 01.07	55	698	3	M 160.910	CL607	3			
Fortwo Coupe (450)										
0.7	01.04 - 01.07	37	698	3	M 160.910	CL607	3			
0.7	01.04 - 01.07	45	698	3	M 160.910	CL607	3			
0.7	01.04 - 01.07	55	698	3	M 160.910	CL607	3			
Roadster (452)										
0.7	04.03 - 11.05	45	698	3	M 160.921	CL607	3			
0.7	04.03 - 11.05	60	698	3	M 160.922	CL607	3			
0.7 Brabus	12.03 - 11.05	74	698	3	M 160.923	CL607	3			
Roadster Coupe (452)										
0.7	06.03 - 11.05	45	698	3	M 160.922	CL607	3			
0.7	04.03 - 11.05	60	698	3	M 160.921	CL607	3			
0.7 Brabus	12.03 - 11.05	74	698	3	M 160.923	CL607	3			
SSANG YONG										
Korando (KJ)										
2.0	05.97 -	94	1998	4		CL606	2	CP004	2	semidirect / pencil
2.3	05.97 -	103	2295	4	M 111.970	CL606	2	CP004	2	semidirect / pencil
2.3	01.99 -	105	2295	4		CL606	2	CP004	2	semidirect / pencil
3.2	12.96 -	154	3199	6	M 104.995	CL606	3	CP004	3	semidirect / pencil
3.2	01.99 -	156	3199	6	M 104.995	CL606	3	CP004	3	semidirect / pencil
3.2	06.97 -	162	3199	6	M 104.992	CL606	3	CP004	3	semidirect / pencil
Korando Cabrio (KJ)										
2.3	11.97 -	103	2295	4		CL606	3	CP004	3	semidirect / pencil
2.3	02.99 -	105	2295	4		CL606	2	CP004	2	semidirect / pencil
3.2	01.99 -	156	3199	6	M 104.995	CL606	3	CP004	3	semidirect / pencil
3.2	06.97 -	162	3199	6	M 104.992	CL606	3	CP004	3	semidirect / pencil
Musso (FJ)										
2.0	10.96 -	93	1998	4	E20	CL606	2	CP004	2	semidirect / pencil
2.3	10.96 -	103	2295	4	M 111.970	CL606	2	CP004	2	semidirect / pencil
2.3	04.03 -	110	2295	4		CL606	2	CP004	2	semidirect / pencil
3.2	06.96 -	162	3199	6	M 104.992	CL606	3	CP004	3	semidirect / pencil
Rexton (GAB)										
3.2	04.02 -	162	3199	6	G32D	CL606	3	CP004	3	semidirect / pencil
SUBARU										
Forester (SF)										
2.0	06.98 - 09.02	92	1994	4	EJ20	CL570	1			
Forester (SG)										
2.0	09.02 -	92	1994	4	EJ20	CL591	1			
2.0 X	09.05 -	116	1994	4	EJ204	CL591	1			
2.5	12.03 -	155	2457	4	EJ25	CL591	1			
2.5 XT	09.05 -	169	2457	4	EJ255	CL934	4			pencil
Forester (SH)										
2.0 AWD	01.10 -	110	1995	4	FB20	CL934	4			pencil
2.0 AWD	01.08 -	110	1994	4	EJ20	CL934	4			pencil
2.5 AWD	01.09 -	126	2457	4	EJ25	CL934	4			pencil

model	year	kW	cm ³	cyl	engine	coil	pcs	boot	pcs	info
SUBARU										
Impreza CC										
2.5 WRX	09.05 -	169	2457	4	EJ255	CL934	4			pencil
Impreza CC (GR, GH, G3)										
2.0 R AWD	01.08 -	110	1994	4	EJ204	CL917	4	CP057	4	pencil
2.5 WRX STI AWD	01.08 -	221	2457	4	EJ257	CL934	4			pencil
Impreza Coupe (GFC)										
1.6	12.96 - 12.00	66	1597	4	EJ16E	CL570	1			
2.0 AWD	12.95 - 06.97	85	1994	4	EJ20	CL570	1			coil 4xDIN / year
	12.97 - 12.00	85	1994	4	EJ20	CL591	1			coil 4xSAE / year
2.0 Turbo AWD	12.96 - 06.98	155	1994	4	EJ20G	CL570	1			
2.0 i	11.95 - 07.98	85	1994	4	EJ20E	CL570	1			
2.2 AWD	09.98 - 09.00	96	2212	4	EJ22E	CL591	1			
2.2 i	09.98 - 09.00	96	2212	4	EJ22E	CL591	1			
Impreza Sedan (GC)										
1.6 i	08.92 - 12.00	66	1597	4	EJ16	CL570	1			
1.6 i AWD	08.92 - 12.00	66	1597	4	EJ16	CL570	1			
1.8 i AWD	08.92 - 12.00	76	1820	4	EJ18/EJ18E	CL570	1			
2.0 Turbo GT AWD	03.94 - 06.98	155	1994	4	EJ20 (Turbo)	CL570	1			
2.0 i	09.98 - 09.00	92	1994	4	EJ201	CL591	1			
2.0 i AWD	10.95 - 06.97	85	1994	4	EJ20	CL570	1			coil 4xDIN / year
	12.97 - 12.00	85	1994	4	EJ20	CL591	1			coil 4xSAE / year
2.0 i AWD	06.98 - 12.00	92	1994	4	EJ20	CL591	1			
2.2 GX AWD	09.98 - 09.00	96	2212	4	EJ22E	CL591	1			
2.2 GX AWD	11.95 - 08.98	97	2212	4	EJ22	CL591	1			
Impreza Sedan (GD)										
2.0 i AWD	12.00 -	92	1994	4	EJ20	CL591	1			
2.0 i R AWD	09.05 -	118	1994	4	EJ204	CL934	4			pencil
2.0 WRX STi AWD	11.01 -	195	1994	4	EJ207	CL917	4	CP057	4	pencil
2.0 WRX Turbo AWD	10.02 -	160	1994	4	EJ205	CL917	4	CP057	4	pencil
2.0 WRX Turbo AWD	12.02 -	165	1994	4	EJ205	CL917	4	CP057	4	pencil
2.5 i WRX AWD	09.05 -	169	2457	4	EJ255	CL934	4			pencil
2.5 WRX STi AWD	09.05 -	206	2457	4	EJ257	CL934	4			pencil
Impreza Station Wagon (GF)										
1.6	01.93 - 08.98	66	1597	4	EJ16E	CL570	1			
1.6 i	06.98 - 12.00	70	1597	4	EJ161	CL570	1			
1.6 i AWD	08.92 - 12.00	66	1597	4	EJ16	CL570	1			
1.8 i AWD	08.92 - 12.00	76	1820	4	EJ18	CL570	1			
2.0	09.96 - 08.98	85	1994	4	EJ20E	CL570	1			
2.0 i	09.98 - 09.00	92	1994	4	EJ201	CL591	1			
2.0 i AWD	12.95 - 06.97	85	1994	4	EJ20	CL570	1			coil 4xDIN / year
	12.97 - 12.00	85	1994	4	EJ20	CL591	1			coil 4xSAE / year
2.0 i Turbo AWD	03.94 - 06.98	155	1994	4	EJ20 (Turbo)	CL570	1			
2.0 i 16V AWD	06.98 - 12.00	92	1994	4	EJ20/EJ20E	CL591	1			
2.2 GX AWD	09.98 - 09.00	96	2212	4	EJ22E	CL591	1			
2.2 GX AWD	11.95 - 08.98	97	2212	4	EJ22	CL591	1			
Impreza Station Wagon (GG)										
2.0 AWD	12.00 -	92	1994	4	EJ20	CL591	1			
2.0 Turbo AWD	10.02 -	160	1994	4	EJ205	CL917	4	CP057	4	pencil
2.0 WRX Turbo AWD	12.02 -	165	1994	4	EJ205	CL917	4	CP057	4	pencil
Justy II (JMA, MS)										
1.3 4x4	04.01 - 11.03	63	1298	4	G13BB	CL561	2	CP056	2	semidirect / pencil
Justy III (G3X)										
1.5	09.03 -	73	1490	4	M15A	CL561	2	CP056	2	semidirect / pencil
Justy IV										
1.0	01.07 -	51	998	3	1KR-FE	CL555	3	CP042	3	pencil
Legacy I (BC)										
2000 4WD	08.91 - 07.94	85	1994	4	EJ20 EMPI	CL570	1			
2000 Turbo 4WD	05.92 - 07.94	147	1994	4	EJ20-GN	CL570	1			
2200 4WD	01.89 - 07.94	100	2212	4	EJ22 EMPI	CL570	1			
Legacy I Station Wagon (BC, BJF)										
2000	09.91 - 12.93	85	1994	4	EJ20 EMPI	CL570	1			
2000 4WD	09.91 - 07.94	85	1994	4	EJ20 EMPI	CL570	1			
2000 Turbo Super 4WD	05.92 - 07.94	147	1994	4	EJ20-GN	CL570	1			
2200 Super 4WD	01.89 - 07.94	100	2212	4	EJ22 EMPI	CL570	1			
Legacy II (BD, BG)										
2.0 i	09.94 - 03.99	85	1994	4	EJ20E	CL570	1			
2.0 i 4WD	09.94 - 03.99	85	1994	4	EJ20	CL570	1			
2.2 i 4WD	09.94 - 03.99	94	2212	4	EJ22 EMPI	CL570	1			
2.2 i 4WD	06.96 - 03.99	96	2212	4	EJ22 EMPI	CL570	1			
2.5 i 4WD	06.96 - 03.99	110	2457	4	EJ25D	CL570	1			
Legacy II Station Wagon (BD, BG)										
2.0 i	09.94 - 11.98	85	1994	4	EJ20 EMPI	CL570	1			

model	year	kW	cm ³	cyl	engine	coil	pcs	boot	pcs	info
SUBARU										
Legacy II Station Wagon (BD, BG)										
2.0 i 4WD	09.94 - 11.98	85	1994	4	EJ20	CL570	1			
2.2 i 4WD	02.94 - 12.98	94	2212	4	EJ22 EMPI	CL570	1			
2.2 i 4WD	06.96 - 11.98	96	2212	4	EJ22 EMPI	CL570	1			
2.5 i 4WD	06.96 - 11.98	110	2457	4	EJ25D	CL570	1			
Legacy III (BE, BH)										
2.0	04.99 - 08.03	92	1994	4	EJ20	CL591	1			
2.5	10.98 - 08.03	115	2457	4	EJ25	CL591	1			
Legacy III Station Wagon (BE, BH)										
2.0 AWD	12.98 - 08.03	92	1994	4	EJ20	CL591	1			
2.5 AWD	12.98 - 08.03	115	2457	4	EJ25	CL591	1			
Legacy IV (BL, BP)										
2.0 R	09.07 -	110	1994	4	EJ204	CL934	4			pencil
Legacy IV Station Wagon (BL, BP, B13)										
2.0 AWD	06.05 -	121	1994	4	EJ20	CL934	4			pencil
2.0 R AWD	09.07 -	110	1994	4	EJ204	CL934	4			pencil
Outback (BE, BH)										
2.5	10.00 - 08.03	115	2457	4	EJ25	CL591	1			
3.0 H6	10.00 - 08.03	154	3000	6	EZ30	CL933	6			pencil
Outback (BL, BP)										
2.5	11.03 - 09.09	121	2457	4	EJ25D	CL591	1			
2.5	09.08 - 09.09	127	2457	4	EJ251	CL591	1			
3.0 AWD	11.03 - 09.09	180	3000	6	EZ30	CL933	6			pencil
Tribeca (B9)										
3.0	10.06 -	180	3000	6	EZ30	CL933	6			pencil
3.0	01.05 -	184	2999	6	EZ30	CL933	6			pencil
3.6	09.07 -	190	3630	6	EZ36D	CL933	6			pencil
SUZUKI										
Alto (HA11)										
1.0	09.94 - 09.98	39	993	4	G10BB	CL923	4			pencil
Alto (HA12, HA23)										
1.0	01.00 - 06.02	43	993	4	G10BB	CL923	4			pencil
Alto (HA24)										
1.1	09.04 - 12.08	46	1061	4	F10DN/F10D	CL561	2	CP056	2	semidirect / pencil
Baleno (EG)										
1.3	02.99 - 05.02	52	1298	4	G13BA	CL561	2	CP056	2	semidirect / pencil
1.3 i 16V	02.99 - 05.02	63	1298	4	G13BB	CL561	2	CP056	2	semidirect / pencil
1.6 i 16V	02.99 - 05.02	72	1590	4	G16B	CL561	2	CP056	2	semidirect / pencil
1.6 i 16V 4x4	02.99 - 05.02	72	1590	4	G16B	CL561	2	CP056	2	semidirect / pencil
1.8 GTX	03.96 - 05.02	89	1839	4	J18A	CL512	4	CP029	4	pencil OEM No. 33410-77E11
						CL557	4	CP029	4	pencil OEM No. 33410-77E21
Baleno CC (EG)										
1.3	09.96 - 05.02	52	1298	4	G13BA	CL561	2	CP056	2	semidirect / pencil
1.3 i 16V	02.99 - 05.02	63	1298	4	G13BB	CL561	2	CP056	2	semidirect / pencil
1.6 i 16V	02.99 - 05.02	72	1590	4	G16B	CL561	2	CP056	2	semidirect / pencil
1.6 i 16V 4x4	02.99 - 05.02	72	1590	4	G16B	CL561	2	CP056	2	semidirect / pencil
1.8 GTX	03.96 - 05.02	89	1839	4	J18A	CL512	4	CP029	4	pencil OEM No. 33410-77E11
						CL557	4	CP029	4	pencil OEM No. 33410-77E21
Baleno Combi (EG)										
1.3 16V	02.99 - 05.02	63	1298	4	G13BB	CL561	2	CP056	2	semidirect / pencil
1.6 i 16V	02.99 - 05.02	72	1590	4	G16B	CL561	2	CP056	2	semidirect / pencil
1.6 i 16V	02.99 - 05.02	73	1590	4	G16B	CL561	2	CP056	2	semidirect / pencil
1.6 i 16V 4x4	02.99 - 05.02	72	1590	4	G16B	CL561	2	CP056	2	semidirect / pencil
1.6 i 16V 4x4	02.99 - 05.02	73	1590	4	G16B	CL561	2	CP056	2	semidirect / pencil
1.8 i 16V	08.96 - 05.02	89	1839	4	J18A	CL512	4	CP029	4	pencil OEM No. 33410-77E11
						CL557	4	CP029	4	pencil OEM No. 33410-77E21
Carry Van (FD)										
1.3	03.99 -	58	1298	4	G13BB	CL561	2	CP056	2	semidirect / pencil
1.3 16 V	03.00 -	58	1298	4	G13BB	CL561	2	CP056	2	semidirect / pencil
Grand Vitara I (FT)										
1.6 4x4	03.98 - 07.03	69	1590	4	G16B	CL533	2			semidirect / pencil
2.0 4x4	03.98 - 07.03	94	1995	4	J20A	CL557	4	CP029	4	pencil
2.5 V6 24V	04.98 - 07.03	106	2493	6	H 25 A	CL557	6	CP029	6	pencil
2.5 V6 24V 4x4	04.01 - 07.03	116	2493	6	H 25 A	CL557	6	CP029	6	pencil
2.7 4x4	09.01 - 07.03	127	2736	6	H 27 A	CL557	6	CP029	6	pencil
2.7 4x4	04.03 - 07.03	135	2736	6	H 27 A	CL557	6	CP029	6	pencil
Grand Vitara II (JT)										
1.6 Allrad	04.05 -	78	1586	4	M16A	CL561	2	CP056	2	semidirect / pencil
2.0 Allrad	10.05 -	103	1995	4	J20A	CL512	4	CP029	4	pencil OEM No. 33410-77E11
						CL557	4	CP029	4	pencil OEM No. 33410-77E21
3.2 Allrad	01.09 - 02.15	171	3195	6	N32A	CL245	6			pencil

model	year	kW	cm ³	cyl	engine	coil	pcs	boot	pcs	info
SUZUKI										
Ignis (FH)										
1.3	10.00 - 09.03	61	1328	4	M13A	CL561	2	CP056	2	semidirect / pencil
1.3 4WD	10.00 - 09.03	61	1328	4	M13A	CL561	2	CP056	2	semidirect / pencil
Ignis II										
1.3	09.03 -	69	1328	4	M13A	CL561	2	CP056	2	semidirect / pencil
1.3 4x4	09.03 -	69	1328	4	M13A	CL561	2	CP056	2	semidirect / pencil
1.5	09.03 -	73	1490	4	M15A	CL561	2	CP056	2	semidirect / pencil
1.5 4x4	09.03 -	73	1490	4	M15A	CL561	2	CP056	2	semidirect / pencil
1.5 Sport	12.03 -	80	1490	4	M15A	CL561	2	CP056	2	semidirect / pencil
Jimny (FJ)										
1.3 16V	09.98 -	59	1298	4	G13BB	CL533	2			semidirect / pencil
1.3 16V	02.01 -	60	1328	4	M13A	CL561	2	CP056	2	semidirect / pencil
1.3 16V 4WD	09.98 -	59	1298	4	G13BB	CL533	2			semidirect / pencil
1.3 16V 4WD	02.01 -	60	1328	4	M13A	CL561	2	CP056	2	semidirect / pencil
1.3 16V 4x4	08.05 -	63	1328	4	M13A	CL561	2	CP056	2	semidirect / pencil
1.3 4WD	05.14 -	62	1328	4	M13A	CL561	2	CP056	2	semidirect / pencil
Liana (ER)										
1.3	03.02 -	66	1328	4	M13A	CL561	2	CP056	2	semidirect / pencil
1.6	03.02 -	76	1586	4	M16A	CL561	2	CP056	2	semidirect / pencil
1.6	01.05 -	79	1586	4	M16A	CL561	2	CP056	2	semidirect / pencil
1.6 4WD	03.02 -	76	1586	4	M16A	CL561	2	CP056	2	semidirect / pencil
1.6 4WD	04.02 -	78	1586	4	M16A	CL561	2	CP056	2	semidirect / pencil
1.6 4WD	01.05 - 12.07	79	1586	4	M16A	CL561	2	CP056	2	semidirect / pencil
1.6 i	04.02 -	78	1586	4	M16A	CL561	2	CP056	2	semidirect / pencil
Liana Combi (ER)										
1.3	07.01 - 12.07	66	1328	4	M13A	CL561	2	CP056	2	semidirect / pencil
1.6	07.01 - 12.07	76	1586	4	M16A	CL561	2	CP056	2	semidirect / pencil
1.6 4WD	07.01 - 12.07	76	1586	4	M16A	CL561	2	CP056	2	semidirect / pencil
1.6 4WD	04.02 - 12.07	78	1586	4	M16A	CL561	2	CP056	2	semidirect / pencil
1.6 4WD	01.05 - 12.07	79	1586	4	M16A	CL561	2	CP056	2	semidirect / pencil
1.6 i	04.02 - 12.07	78	1586	4	M16A	CL561	2	CP056	2	semidirect / pencil
Samurai (SJ)										
1.3 (SJ 413)	11.88 - 12.04	47	1324	4	G13A	CL588	1			
1.3 Allrad	01.00 - 12.04	59	1298	4	G13BA	CL588	1			
1.3 Allrad (SJ 413)	11.88 - 12.04	44	1324	4	G13A	CL588	1			
1.3 Allrad (SJ 413)	11.88 - 12.04	51	1298	4	G13BA	CL588	1			
Splash										
1.0	01.08 -	48	996	3	K10B	CL236	3			pencil
1.0	06.11 -	50	996	3	K10B	CL236	3			pencil
1.2	01.08 -	63	1242	4	K12B	CL236	4			pencil
1.2 VVT	09.10 -	69	1242	4	K12B	CL236	4			pencil
Swift Cabriolet (SF413)										
1.3 i	09.91 - 10.96	50	1298	4	G13BA	CL561	2	CP056	2	semidirect / pencil
Swift II CC (EA, MA)										
1.3 GTi	03.89 - 05.01	74	1298	4	G13B	CL559	1			
Swift III (MZ, EZ)										
1.3	02.05 -	68	1328	4	M13A	CL561	2	CP056	2	semidirect / pencil
1.3 4x4	01.06 -	66	1328	4	M13A	CL561	2	CP056	2	semidirect / pencil
1.3 4x4	02.05 -	68	1328	4	M13A	CL561	2	CP056	2	semidirect / pencil
1.5	02.05 -	75	1490	4	M15A	CL561	2	CP056	2	semidirect / pencil
1.6	05.06 -	92	1586	4	M16A	CL561	2	CP056	2	semidirect / pencil
SX4 (EY, GY)										
1.5	06.06 -	73	1490	4	M15A	CL561	2	CP056	2	semidirect / pencil
1.5 VVT	07.10 -	82	1490	4	M15A	CL561	2	CP056	2	semidirect / pencil
1.5 VVT 4x4	07.10 -	82	1490	4	M15A	CL561	2	CP056	2	semidirect / pencil
1.6 VVT	06.06 -	79	1586	4	M16A	CL561	2	CP056	2	semidirect / pencil
1.6 VVT	07.09 -	88	1586	4	M16A	CL561	2	CP056	2	semidirect / pencil
1.6 VVT 4x4	06.06 -	79	1586	4	M16A	CL561	2	CP056	2	semidirect / pencil
1.6 VVT 4x4	07.09 -	82	1586	4	M16A	CL561	2	CP056	2	semidirect / pencil
1.6 VVT 4x4	07.09 -	88	1586	4	M16A	CL561	2	CP056	2	semidirect / pencil
SX4 Sedan (GY)										
1.6	10.07 -	79	1586	4	M16A	CL561	2	CP056	2	semidirect / pencil
1.6 AWD	10.07 -	88	1586	4	M16A	CL561	2	CP056	2	semidirect / pencil
Vitara (ET, TA)										
1.6 i 16V Allrad (ET, TA)	07.90 - 03.98	71	1589	4	G16B	CL588	1			
2.0 16V Allrad (ET, TA)	12.96 - 03.98	97	1995	4	J20A	CL557	4	CP029	4	pencil
2.0 V6 24V Allrad (ET)	12.94 - 03.98	100	1998	6	H 20 A	CL512	6	CP029	6	pencil OEM No. 33410-77E11
						CL557	6	CP029	6	pencil OEM No. 33410-77E21
2.5 V6 24V Allrad (FT)	12.95 - 03.98	118	2493	6	H 25 A	CL557	6	CP029	6	pencil
Vitara Cabrio (ET, TA)										
1.6 i 16V	07.90 - 03.99	71	1589	4	G16B	CL588	1			
2.0 16V	12.96 - 03.99	97	1995	4	J20A	CL557	4	CP029	4	pencil

model	year	kW	cm ³	cyl	engine	coil	pcs	boot	pcs	info
SUZUKI										
Wagon R+ (EM)										
1.0	02.98 - 05.00	48	996	4	K10A	CL923	4			pencil
Wagon R+ (MM)										
1.3	05.00 - 12.04	56	1298	4	G13BB	CL561	2	CP056	2	semidirect / pencil
1.3	09.03 -	69	1328	4	M13A	CL561	2	CP056	2	semidirect / pencil
1.3 4WD	10.01 -	56	1298	4	G13BB	CL561	2	CP056	2	semidirect / pencil
1.3 4WD	09.03 -	69	1328	4	M13A	CL561	2	CP056	2	semidirect / pencil
TAGAZ										
Road Partner										
2.3 4x4	01.08 -	110	2295	4		CL606	2	CP004	2	semidirect / pencil
3.2 4x4	01.08 -	162	3199	6		CL606	3	CP004	3	semidirect / pencil
Tager										
2.3	10.08 -	110	2295	4		CL606	2	CP004	2	semidirect / pencil
2.3 4x4	10.08 -	110	2295	4		CL606	2	CP004	2	semidirect / pencil
3.2 4x4	10.08 -	162	3199	6		CL606	3	CP004	3	semidirect / pencil
TOYOTA										
4 Runner (RN5 , LN5 , VZN6 , RN7 , RN6)										
3.0 V6	08.91 - 11.95	105	2959	6	3VZ-E	CL578	1			
3.4 i	11.95 - 03.96	136	3378	6	5VZ-FE	CL580	3	CP030	3	semidirect / pencil
Auris (NRE15 , ZZE15 , ADE15 , ZRE15 , NDE15)										
1.4 VVTi	03.07 -	71	1398	4	4ZZ-FE	CL555	4	CP042	4	pencil
1.6	05.09 -	97	1598	4	1ZR-FAE	CL581	4	CP043	4	pencil
1.6 VVTi	03.07 -	91	1598	4	1ZR-FE	CL581	4	CP043	4	pencil
1.8	02.09 -	108	1798	4	2ZR-FAE	CL581	4	CP043	4	pencil
Auris Touring Sports (ADE18)										
1.6	07.13 -	97	1598	4	1ZR-FAE	CL581	4	CP043	4	pencil
Avensis (T22)										
1.6	09.97 - 10.00	74	1587	4	4A-FE	CL513	1			coil built in distributor
						CL514	1			coil 1xPIN
1.6	09.97 - 10.00	81	1587	4	4A-FE	CL513	1			coil built in distributor
						CL514	1			coil 1xPIN
1.6 VVT-i	10.00 - 02.03	81	1598	4	3ZZ-FE	CL555	4	CP042	4	pencil
1.8 VVT-i	10.00 - 02.03	95	1794	4	1ZZ-FE	CL555	4	CP042	4	pencil
2.0	09.97 - 10.00	94	1998	4	3S-FE	CL919	2			twin coil
2.0 VVT-i	10.00 - 02.03	110	1998	4	1AZ-FSE	CL564	4	CP041	4	pencil
Avensis (T25)										
1.6 VVT-i	04.03 - 11.08	81	1598	4	3ZZ-FE	CL555	4	CP042	4	pencil
1.8	04.03 - 11.08	95	1794	4	1ZZ-FE	CL555	4	CP042	4	pencil
2.0	04.03 - 11.08	108	1998	4	1AZ-FSE	CL564	4	CP041	4	pencil
2.4	10.03 - 11.08	120	2362	4	2AZ-FSE	CL564	4	CP041	4	pencil
2.4	09.03 - 11.08	125	2362	4	2AZ-FSE	CL564	4	CP041	4	pencil
Avensis Combi (T25)										
1.6 VVT-i	04.03 - 11.08	81	1598	4	3ZZ-FE	CL555	4	CP042	4	pencil
1.8	04.03 - 11.08	95	1794	4	1ZZ-FE	CL555	4	CP042	4	pencil
2.0	04.03 - 12.09	108	1998	4	1AZ-FSE	CL564	4	CP041	4	pencil
2.4	10.03 - 11.08	120	2362	4	2AZ-FSE	CL564	4	CP041	4	pencil
2.4	09.03 - 11.08	125	2362	4	2AZ-FSE	CL564	4	CP041	4	pencil
Avensis Liftback (T22)										
1.6	09.97 - 10.00	74	1587	4	4A-FE	CL513	1			coil built in distributor
						CL514	1			coil 1xPIN
1.6	09.97 - 10.00	81	1587	4	4A-FE	CL513	1			coil built in distributor
						CL514	1			coil 1xPIN
1.6 VVT-i	10.00 - 02.03	81	1598	4	3ZZ-FE	CL555	4	CP042	4	pencil
1.8 VVT-i	10.00 - 02.03	95	1794	4	1ZZ-FE	CL555	4	CP042	4	pencil
2.0	09.97 - 10.00	94	1998	4	3S-FE	CL919	2			twin coil
2.0 VVT-i	10.00 - 02.03	110	1998	4	1AZ-FSE	CL564	4	CP041	4	pencil
Avensis Sedan (T25)										
1.6 VVT-i	04.03 - 11.08	81	1598	4	3ZZ-FE	CL555	4	CP042	4	pencil
1.8	04.03 - 11.08	95	1794	4	1ZZ-FE	CL555	4	CP042	4	pencil
2.0	04.03 - 11.08	108	1998	4	1AZ-FSE	CL564	4	CP041	4	pencil
2.4	10.03 - 11.08	120	2362	4	2AZ-FSE	CL564	4	CP041	4	pencil
2.4	09.03 - 11.08	125	2362	4	2AZ-FSE	CL564	4	CP041	4	pencil
Avensis Sedan (ZRT27, ADT27)										
1.6	11.08 -	97	1598	4	1ZR-FAE	CL581	4	CP043	4	pencil
1.8	11.08 -	108	1798	4	2ZR-FAE	CL581	4	CP043	4	pencil
2.0	11.08 -	112	1987	4	3ZR-FAE/3ZR-FE	CL581	4	CP043	4	pencil
Avensis Station Wagon (T22)										
1.6	09.97 - 10.00	74	1587	4	4A-FE	CL513	1			coil built in distributor
						CL514	1			coil 1xPIN
1.6	09.97 - 10.00	81	1587	4	4A-FE	CL513	1			coil built in distributor
						CL514	1			coil 1xPIN
1.6 VVT-i	10.00 - 02.03	81	1598	4	3ZZ-FE	CL555	4	CP042	4	pencil



model	year	kW	cm ³	cyl	engine	coil	pcs	boot	pcs	info
TOYOTA										
Avensis Station Wagon (T22)										
1.8VVT-i	10.00 - 02.03	95	1794	4	1ZZ-FE	CL555	4	CP042	4	pencil
2.0	09.97 - 10.00	94	1998	4	3S-FE	CL919	2			twin coil
2.0VVT-i	10.00 - 02.03	110	1998	4	1AZ-FSE	CL564	4	CP041	4	pencil
Avensis Station Wagon (ZRT27, ADT27)										
1.6	02.09 -	97	1598	4	1ZR-FAE	CL581	4	CP043	4	pencil
1.8	02.09 -	108	1798	4	2ZR-FAE	CL581	4	CP043	4	pencil
2.0	02.09 -	112	1987	4	3ZR-FAE/3ZR-FE	CL581	4	CP043	4	pencil
Avensis Verso (CLM2 , ACM2)										
2.0VVT-i	08.01 - 11.09	110	1998	4	1AZ-FE	CL579	4	CP041	4	1 st pencil / year
	09.05 - 11.09	110	1998	4	1AZ-FE	CL564	4	CP041	4	2 nd pencil / year
Aygo (WNB1 , KGB1)										
1.0	07.05 -	50	998	3	1KR-FE	CL542	3			pencil OEM No. 90080-19017
						CL555	3	CP042	3	pencil OEM No. 90080-19015
Camry (CV1 , XV1 , V1)										
2.2	06.91 - 08.96	100	2164	4	5S-FE	CL568	1			
3.0	06.91 - 08.96	138	2959	6	3VZ-FE	CL578	1			
Camry (CV2 , XV2)										
2.2	11.00 - 11.01	93	2164	4	5S-FE	CL919	2			twin coil
2.2	08.96 - 11.01	96	2164	4	5S-FE	CL919	2			twin coil
3.0 24V	08.96 - 11.01	140	2995	6	1MZ-FE	CL571	6			pencil
								CP033	6	for different coil type
3.0 V6	08.96 - 11.01	135	2995	6	1MZ-FE	CL571	6			pencil
								CP033	6	for different coil type
Camry (MCV3 , ACV3 , XV3)										
2.4VVT-i	11.01 - 11.06	112	2362	4	2AZ-FE	CL579	4	CP041	4	pencil
3.0 V6	11.01 - 11.06	137	2995	6	1MZ-FE	CL571	6	CP041	6	pencil
Camry Sedan (XV4)										
2.4VVTi	01.06 - 09.11	116	2362	4	2AZ-FE	CL579	4	CP041	4	pencil
2.4VVTi Hybrid	01.06 - 09.11	105	2362	4	2AZ-FXE	CL579	4	CP041	4	pencil
2.5VVTi	01.10 - 09.11	129	2494	4	2AR-FE	CL924	4	CP041	4	pencil
Camry Sedan (AVV5 , XV5)										
2.5	09.11 -	133	2494	4	2AR-FE	CL924	4	CP041	4	pencil
Camry Station Wagon (XV1 , CV1 , V10)										
2.2	03.92 - 07.96	100	2164	4	5S-FE	CL568	1			
3.0	03.92 - 07.96	138	2959	6	3VZ-FE	CL578	1			
Carina II (T17)										
1.6	12.87 - 11.89	66	1587	4	4A-F	CL513	1			
Carina II Sedan (T17)										
1.6	12.87 - 08.90	66	1587	4	4A-F	CL513	1			
1.6	12.87 - 03.92	72	1587	4	4A-FE	CL513	1			
1.6	12.87 - 03.92	75	1587	4	4A-FE	CL513	1			
Carina II Station Wagon (T17)										
1.6	12.87 - 12.89	66	1587	4	4A-F	CL513	1			
Carina E (T19)										
1.6	12.93 - 09.97	73	1587	4	4A-FE	CL513	1			for distributor 4xDIN Ø5mm
						CL514	1			coil 1xPIN
1.6	12.93 - 09.97	85	1587	4	4A-FE	CL513	1			for distributor 4xDIN Ø5mm
						CL514	1			coil 1xPIN
1.6 16V	10.95 - 09.97	78	1587	4	4A-FE	CL513	1			for distributor 4xDIN Ø5mm
						CL514	1			coil 1xPIN
1.6 GLI	04.92 - 09.97	79	1587	4	4A-FE	CL513	1			for distributor 4xDIN Ø5mm
						CL514	1			coil 1xPIN
2.0 GLI	04.92 - 09.97	98	1998	4	3S-FE	CL568	1			
2.0 GTi	04.92 - 02.94	116	1998	4	3S-GE	CL568	1			
2.0 GTi 16V	03.94 - 09.97	129	1998	4	3S-GE	CL568	1			
2.0 i	12.93 - 09.97	93	1998	4	3S-FE	CL568	1			
Carina E Sedan (T19)										
1.6	01.95 - 09.97	73	1587	4	4A-FE	CL513	1			for distributor 4xDIN Ø5mm
						CL514	1			coil 1xPIN
1.6	10.95 - 09.97	78	1587	4	4A-FE	CL513	1			for distributor 4xDIN Ø5mm
						CL514	1			coil 1xPIN
1.6	01.93 - 09.97	79	1587	4	4A-FE	CL513	1			for distributor 4xDIN Ø5mm
						CL514	1			coil 1xPIN
1.6 16V	12.94 - 09.97	85	1587	4	4A-FE	CL513	1			for distributor 4xDIN Ø5mm
						CL514	1			coil 1xPIN
2.0	01.93 - 09.97	98	1998	4	3S-FE	CL568	1			
2.0 GTi	04.92 - 02.94	116	1998	4	3S-GE	CL568	1			
2.0 GTi 16V	03.94 - 09.97	129	1998	4	3S-GE	CL568	1			
2.0 i	12.92 - 09.97	93	1998	4	3S-FE	CL568	1			
Carina E Sportswagon (T19)										
1.6 GLI	01.93 - 09.97	79	1587	4	4A-FE	CL513	1			

model	year	kW	cm ³	cyl	engine	coil	pcs	boot	pcs	info
TOYOTA										
Carina E Sportswagon (T19)										
1.6i	02.95 - 09.97	73	1587	4	4A-FE	CL513	1			for distributor 4xDIN Ø5mm
						CL514	1			coil 1xPIN
2.0 GLI	01.93 - 09.97	98	1998	4	3S-FE	CL568	1			
2.0i	05.95 - 09.97	93	1998	4	3S-FE	CL568	1			
Celica (AT16 , ST16)										
1.6	04.86 - 08.89	63	1588	4	4A-L	CL513	1			
Celica (ST20 , AT20)										
1.8i 16V	11.93 - 11.99	85	1762	4	7A-FE	CL513	1			
2.0i 16V	04.96 - 11.99	125	1998	4	3S-GE	CL578	1			
2.0i 16V	11.93 - 11.99	129	1998	4	3S-GE	CL578	1			
Celica (ZZT23)										
1.8 16V TS	08.99 - 09.05	141	1796	4	2ZZ-GE	CL577	4			pencil
1.8 16V VT-i	08.99 - 07.05	105	1794	4	1ZZ-FE	CL555	4	CP042	4	pencil
Celica Cabriolet (AT18 , ST18)										
2.0 GTi	10.89 - 11.93	115	1998	4	3S-GE	CL578	1			
Celica Cabriolet (AT20 , ST20)										
2.0i 16V	11.93 - 08.99	125	1998	4	3S-GE	CL578	1			
Celica Coupe (AT18 , ST18)										
2.0 GTi	09.91 - 11.93	115	1998	4	3S-GE	CL578	1			
2.0 Turbo 4WD	10.89 - 11.93	150	1998	4	3S-GTE	CL578	1			
2.0 Turbo 4WD	10.89 - 11.93	153	1998	4	3S-GTE	CL578	1			
Celica Liftback (ST16 , AT16)										
1.6	04.86 - 08.89	63	1588	4	4A-L	CL513	1			
Corolla (E8)										
1.3	10.84 - 08.87	55	1295	4	2E-LC/2E-L	CL513	1			
1.6	08.85 - 08.87	53	1587	4	4A-LC	CL513	1			
1.6	12.85 - 05.88	54	1587	4	4A-LC	CL513	1			
1.6	06.83 - 08.87	62	1588	4	4A-L	CL513	1			
Corolla (E9)										
1.3i	08.87 - 12.92	55	1296	4	2E-E/2E	CL513	1			
1.6	08.87 - 12.89	66	1587	4	4A-F	CL513	1			
Corolla (E10)										
1.3 12V	07.92 - 04.97	53	1296	4	2E	CL513	1			
1.3 XLI	09.95 - 04.97	55	1332	4	4E-FE	CL513	1			
1.3 XLI 16V	07.92 - 09.95	65	1332	4	4E-FE	CL513	1			
1.6 Si	09.95 - 04.97	84	1587	4	4A-FE	CL513	1			
Corolla (E11)										
1.4	04.97 - 02.00	63	1332	4	4E-FE	CL513	1			
1.4 16V	02.00 - 11.01	71	1398	4	4ZZ-FE	CL542	4			pencil
1.6 16V	02.00 - 11.01	81	1598	4	3ZZ-FE	CL555	4	CP042	4	pencil
1.6 Aut.	04.97 - 02.00	79	1587	4	4A-FE	CL513	1			
Corolla (ZZE12 , NDE12 , ZDE12)										
1.4 VVT-i	01.02 - 12.06	71	1398	4	4ZZ-FE	CL555	4	CP042	4	pencil
1.6 VVT-i	01.02 - 12.06	81	1598	4	3ZZ-FE	CL555	4	CP042	4	pencil
1.8 VVTL-i TS	01.02 - 02.07	141	1796	4	2ZZ-GE	CL577	4			pencil
1.8 VVTL-i TS	10.05 - 12.06	160	1796	4	2ZZ-GE	CL577	4			pencil
1.8 VVTL-i TS	02.05 - 02.07	165	1796	4	2ZZ-GE	CL577	4			pencil
Corolla Combi (E12J , E12T)										
1.4 VVT-i	01.02 - 02.07	71	1398	4	4ZZ-FE	CL555	4	CP042	4	pencil
1.6 VVT-i	01.02 - 02.07	81	1598	4	3ZZ-FE	CL555	4	CP042	4	pencil
Corolla Compact (E9)										
1.3	08.87 - 12.89	55	1296	4	2E	CL513	1			
1.6	08.87 - 04.92	66	1587	4	4A-F	CL513	1			
Corolla Compact (E10)										
1.3 12V	07.92 - 05.95	53	1296	4	2E	CL513	1			
1.3 XLI	09.95 - 04.97	55	1332	4	4E-FE	CL513	1			
1.3 XLI 16V	07.92 - 09.95	65	1332	4	4E-FE	CL513	1			
1.6 Si	07.92 - 04.97	84	1587	4	4A-FE	CL513	1			
1.8 GT	11.92 - 05.95	86	1762	4	7A-FE	CL513	1			
1.8 GTi 4WD	11.92 - 04.95	81	1762	4	7A-FE	CL513	1			
Corolla Compact (E11)										
1.4	04.97 - 02.00	63	1332	4	4E-FE	CL513	1			
1.4	02.00 - 01.02	71	1398	4	4ZZ-FE	CL542	4			pencil
1.6	04.97 - 02.00	81	1587	4	4A-FE	CL513	1			
1.6	02.00 - 01.02	81	1598	4	3ZZ-FE	CL555	4	CP042	4	pencil
1.6 Aut.	04.97 - 02.00	79	1587	4	4A-FE	CL513	1			
Corolla FX Compact (E8B)										
1.3	08.85 - 08.87	55	1295	4	2E-L	CL513	1			
Corolla Liftback (E8)										
1.3	01.85 - 08.87	55	1296	4	2E-LC/2E-L	CL513	1			
1.6	08.85 - 08.87	54	1587	4	4A-LC	CL513	1			



model	year	kW	cm ³	cyl	engine	coil	pcs	boot	pcs	info
TOYOTA										
Corolla Liftback (E8)										
1.6	06.83 - 08.87	62	1588	4	4A-L	CL513	1			
1.6	07.85 - 05.88	63	1587	4	4A-L	CL513	1			
Corolla Liftback (E9)										
1.3 i	08.87 - 04.92	55	1296	4	2E-E/2E	CL513	1			
1.6	08.87 - 04.92	66	1587	4	4A-F	CL513	1			
Corolla Liftback (E10)										
1.3 12V	07.92 - 05.95	53	1296	4	2E	CL513	1			
1.3 XLI	07.92 - 04.97	65	1332	4	4E-FE	CL513	1			
1.6 GLI	07.92 - 04.97	84	1587	4	4A-FE	CL513	1			
1.8 GT	11.92 - 05.95	86	1762	4	7A-FE	CL513	1			
Corolla Liftback (E11)										
1.4	04.97 - 02.00	63	1332	4	4E-FE	CL513	1			
1.4	02.00 - 01.02	71	1398	4	4ZZ-FE	CL542	4			pencil
1.6	04.97 - 02.00	81	1587	4	4A-FE	CL513	1			
1.6	02.00 - 01.02	81	1598	4	3ZZ-FE	CL555	4	CP042	4	pencil
1.6 Aut.	04.97 - 02.00	79	1587	4	4A-FE	CL513	1			
Corolla Sedan (E12J , E12T)										
1.4 VVT-i	08.02 - 07.07	71	1398	4	4ZZ-FE	CL555	4	CP042	4	pencil
1.6 VVT-i	08.02 - 07.07	81	1598	4	3ZZ-FE	CL555	4	CP042	4	pencil
Corolla Sedan (E15)										
1.33	01.07 -	74	1329	4	1NR-FE	CL924	4	CP041	4	pencil
Corolla Sedan (NRE18 , ZRE17 , ZRE18 , NDE18)										
1.6	06.13 -	97	1598	4	1ZR-FAE	CL581	4	CP043	4	pencil
1.6 BiFuel	06.13 -	90	1598	4	1ZR-FE	CL581	4	CP043	4	pencil
Corolla Station Wagon (E9)										
1.3	12.87 - 06.92	55	1296	4	2E	CL513	1			
1.6	02.88 - 05.92	66	1587	4	4A-F	CL513	1			
1.6	12.87 - 04.92	70	1587	4	4A-F	CL513	1			
Corolla Station Wagon (NKE16 , NZE16)										
1.5 Hybrid	10.14 -	54	1496	4	1NZ-FXE	CL520	4	CP042	4	pencil
Corolla Verso (ZDE12 , CDE12)										
1.6 VVT-i	01.02 - 05.04	81	1598	4	3ZZ-FE	CL555	4	CP042	4	pencil
1.8 VVT-i	01.02 - 05.04	99	1794	4	1ZZ-FE	CL555	4	CP042	4	pencil
1.8 VVTi 4WD	10.01 - 02.04	99	1794	4	1ZZ-FE	CL555	4	CP042	4	pencil
Corolla Verso (ZER , ZZE12 , R1)										
1.6	04.04 - 03.09	81	1598	4	3ZZ-FE	CL555	4	CP042	4	pencil
1.8	04.04 - 03.09	95	1794	4	1ZZ-FE	CL555	4	CP042	4	pencil
Corolla Wagon (E10)										
1.3 12V	07.92 - 05.95	53	1296	4	2E	CL513	1			
1.3 XLI	09.95 - 04.97	55	1332	4	4E-FE	CL513	1			
1.3 XLI 16V	07.92 - 09.95	65	1332	4	4E-FE	CL513	1			
1.6 Si	07.92 - 04.97	84	1587	4	4A-FE	CL513	1			
1.8 16V 4WD	09.95 - 04.97	81	1762	4	7A-FE	CL513	1			
Corolla Wagon (E11)										
1.4	04.97 - 02.00	63	1332	4	4E-FE	CL513	1			
1.4 16V	02.00 - 10.01	71	1398	4	4ZZ-FE	CL542	4			pencil
1.6	04.97 - 02.00	81	1587	4	4A-FE	CL513	1			
1.6 16V	02.00 - 10.01	81	1598	4	3ZZ-FE	CL555	4	CP042	4	pencil
1.6 Aut.	04.97 - 02.00	79	1587	4	4A-FE	CL513	1			
Hiace III Van (YH7 , LH6 , LH7 , LH5 , YH5 , YH6)										
2.0	02.90 - 08.95	74	1998	4	1RZ	CL513	1			
2.4	08.89 - 08.95	88	2438	4	2RZ-E	CL513	1			
2.4 4WD	08.89 - 08.95	88	2438	4	2RZ-E	CL513	1			
Hiace III Wagon (LH1 , RZH1)										
2.0	08.89 - 04.98	74	1998	4	1RZ	CL513	1			
2.4	08.89 - 08.95	88	2438	4	2RZ-E	CL513	1			
2.4 4WD	08.89 - 08.95	88	2438	4	2RZ-E	CL513	1			
Hiace IV Bus (LH1)										
2.4	08.95 - 04.98	85	2438	4	2RZ-E	CL513	1			
2.4 4WD	08.95 - 04.98	85	2438	4	2RZ-E	CL513	1			
2.7	04.98 - 08.01	105	2694	4	3RZ-FE	CL919	2			year / twin coil
	09.01 - 11.01	105	2694	4	3RZ-FE	CL576	4	CP042	4	year / pencil
2.7	11.01 - 08.06	106	2694	4	3RZ-FE	CL576	4	CP042	4	pencil
						CL919	2			twin coil
2.7 4WD	04.98 - 08.01	105	2694	4	3RZ-FE	CL919	2			year / twin coil
	09.01 - 08.06	105	2694	4	3RZ-FE	CL576	4	CP042	4	year / pencil
Hiace IV Van (LXH1 , RZH1 , LH1)										
2.4	08.95 - 02.05	85	2438	4	2RZ-E	CL513	1			
2.4 4WD	08.95 - 04.98	85	2438	4	2RZ-E	CL513	1			
2.7	04.98 - 08.01	105	2694	4	3RZ-FE	CL919	2			year / twin coil
	09.01 - 08.06	105	2694	4	3RZ-FE	CL576	4	CP042	4	year / pencil

model	year	kW	cm ³	cyl	engine	coil	pcs	boot	pcs	info
TOYOTA										
Hiace IV Van (LXH1 , RZH1 , LH1)										
2.7 4WD	04.98 - 08.01	106	2694	4	3RZ-FE	CL919	2			year / twin coil
	09.01 -	106	2694	4	3RZ-FE	CL576	4	CP042	4	year / pencil
Hilux II Pick-up (RN6 , RN5 , LN6 , YN6 , YN5 , LN5)										
2.4 i 4WD	06.89 - 07.05	84	2366	4	22RE	CL568	1			
2.4 i 4WD	08.97 - 07.05	103	2438	4	2RZ-FE	CL919	2			twin coil
IQ (KPJ1 , NGJ1 , KGG1 , NUJ1)										
1.0	01.09 -	50	998	3	1KR-FE	CL520	3	CP042	3	pencil
1.33	01.09 -	72	1329	4	1NR-FE	CL924	4	CP041	4	pencil
Land Cruiser (KDJ12 , GRJ12)										
2.7	09.02 - 08.04	112	2694	4	3RZ-FE	CL576	4	CP042	4	pencil
4.0	01.03 -	183	3956	6	1GR-FE	CL564	6	CP041	6	pencil
Land Cruiser (VDJ20 , UZJ20)										
4.6 V8	09.10 -	227	4608	8	1UR-FE	CL924	8	CP041	8	pencil
4.6 V8	01.12 -	234	4608	8	1UR-FE	CL924	8			pencil
4.7 V8	01.08 -	212	4664	8	2UZ-FE	CL575	8	CP041	8	pencil
Land Cruiser 80 (J8)										
4.0	01.90 - 08.92	115	3956	6	3F-E	CL574	6			
Land Cruiser 90 (J9)										
3.4 i 24V	04.96 -	131	3378	6	5VZ-FE	CL580	3	CP030	3	semidirect / pencil
Land Cruiser 100 (UZJ100)										
4.7	01.98 -	173	4664	8	2UZ-FE	CL575	8	CP041	8	pencil
4.7	02.02 -	175	4664	8	2UZ-FE	CL575	8	CP041	8	pencil
Land Cruiser 150 (KDJ15 , GRJ15)										
4.0 V6 Dual VVTi	01.10 -	205	3956	6	1GR-FE	CL924	6	CP041	6	pencil
4.0 V6 VVT-i	01.10 -	207	3956	6	1GR-FE	CL924	6	CP041	6	pencil
Liteace Bus (CM30 G, KM30 G)										
1.5	10.85 - 08.89	51	1486	4	5K	CL578	1			
1.5	07.89 - 01.92	52	1486	4	5K	CL578	1			
Liteace Bus (R2 LG)										
1.5	01.92 - 01.95	52	1486	4	5K	CL578	1			
Liteace Van (R2 V)										
1.5	01.92 - 01.95	52	1486	4	5K	CL578	1			
Liteace Van (CM3 V, KM3 V)										
1.5	05.86 - 09.91	51	1486	4	5K	CL578	1			
Mark XI (GRX12)										
2.5 VVTi	03.04 - 09.09	158	2499	6	4GR-FSE	CL924	6	CP041	6	pencil
2.5 VVTi 4WD	05.04 - 09.09	158	2499	6	4GR-FSE	CL924	6	CP041	6	pencil
3.0 VVTi	05.04 - 09.09	183	2995	6	3GR-FSE	CL924	6	CP041	6	pencil
MR 2 II (SW2)										
2.0 16V	12.89 - 12.91	115	1998	4	3S-GE	CL574	1			year
	12.91 - 05.00	115	1998	4	3S-GE	CL578	1			year
2.0 16V	12.89 - 12.91	125	1998	4	3S-GE	CL574	1			year
	12.91 - 05.00	125	1998	4	3S-GE	CL578	1			year
2.0 16V	12.89 - 12.91	129	1998	4	3S-GE	CL574	1			year
	12.91 - 05.00	129	1998	4	3S-GE	CL578	1			year
MR 2 III (ZZW3)										
1.8 16V VT-i	10.99 - 06.07	103	1794	4	1ZZ-FE	CL555	4	CP042	4	pencil
Paseo Cabriolet (EL54)										
1.5	10.96 - 01.98	66	1497	4	5E-FE			CP031	4	for pencil coil
Paseo Coupe (EL54)										
1.5 16V	08.95 - 07.99	66	1497	4	5E-FE			CP031	4	for pencil coil
Picnic (XM10)										
2.0	01.01 - 12.01	90	1998	4	3S-FE	CL919	2			twin coil
2.0 16V	05.96 - 12.01	94	1998	4	3S-FE	CL919	2			twin coil
Previa (MCR3 , ACR3 , CLR3)										
2.4	08.00 - 01.06	115	2362	4	2AZ-FE	CL579	4	CP041	4	pencil
Prius Liftback (NHW20)										
1.5	08.03 - 03.09	57	1497	4	1NZ-FXE	CL520	4	CP042	4	pencil
Prius Sedan (NHW11)										
1.5 Hybrid	05.00 - 01.04	53	1497	4	1NZ-FXE	CL520	4	CP042	4	pencil
Prius C (NHP10)										
1.5 Hybrid	02.12 -	54	1497	4	1NZ-FXE	CL520	4	CP042	4	pencil
RAV 4 I (SXA1)										
2.0 4WD	06.94 - 06.00	95	1998	4	3S-FE	CL568	1			
RAV 4 I Cabrio (SXA1)										
2.0 16V 4WD	12.97 - 06.00	94	1998	4	3S-FE	CL568	1			
RAV 4 II (CLA2 , XA2 , ZCA2 , ACA2)										
1.8 VVTi	08.00 - 11.05	92	1794	4	1ZZ-FE	CL555	4	CP042	4	pencil
2.0 VVTi 4WD	06.00 - 11.05	110	1998	4	1AZ-FE	CL579	4	CP041	4	pencil
RAV 4 III (ACA3 , ACE , ALA3 , GSA3 , ZSA3)										
2.0	12.08 -	116	1987	4	3ZR-FAE	CL581	4	CP043	4	pencil

model	year	kW	cm ³	cyl	engine	coil	pcs	boot	pcs	info
-------	------	----	-----------------	-----	--------	------	-----	------	-----	------

TOYOTA

▶ **RAV 4 III (ACA3 , ACE , ALA3 , GSA3 , ZSA3)**

2.0 4WD	12.08 -	116	1987	4	3ZR-FAE	CL581	4	CP043	4	pencil
2.0 VVT-i 4WD	03.06 -	112	1998	4	1AZ-FE	CL579	4	CP041	4	pencil

Starlet (P7)

1.3	10.84 - 12.89	55	1295	4	2E-LC	CL513	1			
-----	---------------	----	------	---	-------	-------	---	--	--	--

Starlet (P8)

1.0	12.89 - 12.92	40	999	4	1E	CL513	1			
1.3 12V	12.89 - 12.92	55	1296	4	2E-E/2E	CL513	1			
1.3 12V cat	12.89 - 03.96	55	1296	4	2E-E	CL513	1			

Starlet (EP91)

1.3	04.96 - 03.99	55	1332	4	4E-FE	CL513	1			
-----	---------------	----	------	---	-------	-------	---	--	--	--

Urban Cruiser (NSP1 , NLP1 , ZSP1 , NCP11)

1.33	04.10 -	73	1329	4	1NR-FE	CL924	4	CP041	4	pencil
1.33	04.09 -	74	1329	4	1NR-FE	CL924	4	CP041	4	pencil

Verso (AUR2 , ZGR2)

1.6	04.09 -	97	1598	4	1ZR-FAE	CL581	4	CP043	4	pencil
1.8	04.09 -	108	1798	4	2ZR-FAE	CL581	4	CP043	4	pencil

Verso S (NLP12 , NCP12 , NSP12)

1.33	11.10 -	70	1329	4	1NR-FE	CL924	4	CP041	4	pencil
1.33	11.10 -	73	1329	4	1NR-FE	CL924	4	CP041	4	pencil

Yaris (SCP1 , NLP1 , NCP1)

1.0 16V	03.03 - 09.05	48	998	4	1SZ-FE	CL520	4	CP042	4	pencil
1.0 16V	04.99 - 09.05	50	998	4	1SZ-FE	CL520	4	CP042	4	pencil
1.3	04.02 - 09.05	64	1298	4	2SZ-FE	CL520	4	CP042	4	pencil
1.3 16V	11.99 - 09.05	63	1299	4	2NZ-FE	CL520	4	CP042	4	pencil
1.5 TS	01.03 - 09.05	77	1497	4	1NZ-FE	CL520	4	CP042	4	pencil
1.5 VVT-i TS	04.01 - 09.05	78	1497	4	1NZ-FE	CL520	4	CP042	4	pencil
1.5 VVT-i TS	03.03 - 07.05	110	1497	4	1NZ-FE	CL520	4	CP042	4	pencil

Yaris (SCP9 , NSP9 , KSP9 , NCP9 , ZSP9)

1.0 VVT-i	08.05 -	51	998	3	1KR-FE	CL542	3			pencil OEM No. 90080-19017
						CL555	3	CP042	3	pencil OEM No. 90080-19015
1.3 VVT-i	08.05 -	64	1298	4	2NZ-FE/2SZ-FE	CL520	4	CP042	4	pencil
1.33 VVT-i	07.10 -	73	1329	4	1NR-FE	CL520	4	CP042	4	pencil
1.33 VVT-i	03.09 -	74	1329	4	1NR-FE	CL520	4	CP042	4	pencil
1.8 VVTi	01.07 -	98	1798	4	2ZR-FE	CL581	4	CP043	4	pencil

Yaris (NHP13 , NSP13 , NCP13 , KSP13 , NLP13)

1.0	09.11 -	51	998	3	1KR-FE	CL555	3	CP042	3	pencil
1.3	09.11 -	70	1329	4	1NR-FE	CL924	4	CP041	4	pencil
1.3	09.11 -	73	1329	4	1NR-FE/1NR-FE	CL924	4	CP041	4	pencil

Yaris Verso (NLP2 , NCP2)

1.3	11.02 - 09.05	62	1299	4	2NZ-FE	CL520	4	CP042	4	pencil
1.3	08.99 - 10.02	63	1299	4	2NZ-FE	CL520	4	CP042	4	pencil
1.5	05.03 - 09.05	77	1497	4	1NZ-FE	CL520	4	CP042	4	pencil
1.5	03.00 - 09.05	78	1497	4	1NZ-FE	CL520	4	CP042	4	pencil
1.5 4WD	03.00 - 09.05	78	1497	4	1NZ-FE	CL520	4	CP042	4	pencil

VOLVO

340-360 (343, 345)

1.4	08.82 - 08.85	46	1397	4	B 14.3 E	CL118	1			
1.4	08.86 - 12.88	50	1397	4	B 14.4 S	CL118	1			
1.4	08.87 - 07.88	51	1397	4	B 14.4 S	CL118	1			
1.7	08.85 - 07.91	59	1721	4	B 17.2 K	CL118	1			
2.0	08.84 - 07.87	77	1986	4	B 200 K	CL118	1			
2.0	08.88 - 07.89	80	1986	4	B 200 F	CL118	1			
2.0	08.87 - 07.88	81	1986	4	B 200 F	CL118	1			
2.0	08.86 - 07.88	82	1986	4	B 200 E/B 200 F	CL118	1			
2.0	08.84 - 07.86	87	1986	4	B 200 E	CL118	1			

340-360 Sedan (344)

1.4	08.87 - 07.88	51	1397	4	B 14.4 S	CL118	1			
1.7	08.85 - 07.91	59	1721	4	B 17.2 K	CL118	1			
2.0	08.84 - 07.90	75	1986	4	B 200 K	CL118	1			
2.0	08.84 - 07.87	77	1986	4	B 200 K	CL118	1			
2.0	08.87 - 07.88	81	1986	4	B 200 EA	CL118	1			
2.0	08.86 - 07.88	82	1986	4	B 200 EA	CL118	1			
2.0	08.84 - 07.86	85	1986	4	B 200 E	CL118	1			
2.0	08.84 - 07.86	87	1986	4	B 200 E	CL118	1			

440 K (445)

1.6	09.88 - 12.96	61	1596	4	B 16 F	CL118	1			
1.7	09.88 - 12.96	64	1721	4	B 18 KP	CL118	1			
1.7	08.88 - 07.89	70	1721	4	B 18 F	CL118	1			
1.7	08.89 - 12.96	75	1721	4	B 18 FP	CL118	1			
1.7	09.88 - 12.96	78	1721	4	B 18 EP	CL118	1			
1.8	08.91 - 07.96	66	1794	4	B 18 U	CL118	1			



model	year	kW	cm ³	cyl	engine	coil	pcs	boot	pcs	info
VOLVO										
440 K (445)										
1.8	09.95 - 12.96	66	1794	4	B 18 U	CL118	1			
2.0	08.93 - 07.96	80	1998	4	B 20 F	CL118	1			
2.0	08.92 - 07.95	81	1998	4	B 20 F	CL118	1			
460 L (464)										
1.6	07.92 - 07.96	61	1596	4	B 16 F	CL118	1			
1.7	09.88 - 07.96	64	1721	4	B 18 KP	CL118	1			
1.7	08.89 - 07.92	75	1721	4	B 18 EP	CL118	1			
1.8	08.91 - 07.96	66	1794	4	B 18 U	CL118	1			
2.0	08.93 - 07.96	80	1998	4	B 20 F	CL118	1			
2.0	08.92 - 07.95	81	1998	4	B 20 F	CL118	1			
480 E										
1.7	08.87 - 07.89	70	1721	4	B 18 F	CL118	1			
1.7	08.89 - 07.96	75	1721	4	B 18 EP	CL118	1			
1.7	04.86 - 07.89	78	1721	4	B 18 E	CL118	1			
1.7	08.86 - 07.88	80	1721	4	B 18 E	CL118	1			
2.0	08.92 - 09.95	81	1998	4	B 20 F	CL118	1			
850 (LS)										
2.0	08.94 - 12.96	93	1984	5	B 5202 S	CL119	1			
2.0	06.91 - 12.96	105	1984	5	B 5204 F	CL119	1			
2.0 Turbo	08.93 - 12.96	155	1984	5	B 5204 T/B 5204 FT	CL119	1			
2.3 T5	08.93 - 07.96	166	2319	5	B 5234 FT	CL119	1			
2.3 T5-R	08.95 - 12.96	184	2319	5	B 5234 T4	CL119	1			
2.5	06.91 - 07.94	103	2435	5	B 5252	CL119	1			
2.5	08.94 - 12.96	106	2435	5	B 5252 FS	CL119	1			
2.5	08.91 - 12.96	125	2435	5	B 5254 S	CL119	1			
850 Combi (LW)										
2.0	08.94 - 12.96	93	1984	5	B 5202 S	CL119	1			
2.0	02.93 - 12.96	105	1984	5	B 5204 F	CL119	1			
2.0 Turbo	02.93 - 12.96	155	1984	5	B 5204 T/B 5204 FT	CL119	1			
2.3 T5	02.93 - 12.96	166	2319	5	B 5234 FT	CL119	1			
2.3 T5-R	08.95 - 12.96	184	2319	5	B 5234 T4	CL119	1			
2.5	08.92 - 07.94	103	2435	5	B 5252	CL119	1			
2.5	08.94 - 12.96	106	2435	5	B 5252 FS	CL119	1			
2.5	09.92 - 12.96	125	2435	5	B 5254 S	CL119	1			
2.5 AWD	04.96 - 12.96	142	2435	5	B 5254 T	CL119	1			
940 (944)										
2.0 Turbo	08.90 - 12.94	114	1986	4	B 200 FT	CL719	4			pencil
940 II (944)										
2.0 Turbo	04.96 - 10.98	114	1986	4	B 200 FT	CL719	4			pencil
940 II Combi (945)										
2.0 Turbo	04.96 - 10.98	114	1986	4	B 200 FT	CL719	4			pencil
960 (964)										
2.9	08.90 - 07.94	150	2922	6	B 6304 F/B 6304 G	CL719	6			pencil
960 Combi (965)										
2.9	08.90 - 07.94	150	2922	6	B 6304 F/B 6304 S	CL719	6			pencil
960 II (964)										
2.5	07.94 - 12.96	125	2473	6	B 6254 S	CL719	6			pencil
2.9	07.94 - 12.96	150	2922	6	B 6304 S	CL719	6			pencil
960 II Combi (965)										
2.5	08.94 - 12.96	125	2473	6	B 6254 S	CL719	6			pencil
2.9	09.94 - 12.96	150	2922	6	B 6304 S	CL719	6			pencil
C30										
1.6	10.06 - 12.12	74	1596	4	B 4164 S3	CL403	1			
1.8	10.06 - 12.12	92	1798	4	B 4184 S11	CL405	4	CP048	4	pencil
1.8 FlexFuel	01.07 - 12.12	92	1798	4	B 4184 S8	CL405	4	CP048	4	pencil
2.0	10.06 - 12.12	107	1999	4	B 4204 S3	CL405	4	CP048	4	pencil
2.0 FlexFuel	01.10 - 12.12	107	1999	4	B 4204 S4	CL405	4	CP048	4	pencil
2.4 i	10.06 - 12.12	125	2435	5	B 5244 S4	CL410	5	CP035	5	pencil
2.5 T5	10.06 - 12.12	162	2521	5	B 5254 T3	CL410	5	CP035	5	pencil
2.5 T5	03.07 - 12.12	169	2521	5	B 5254 T7	CL410	5	CP035	5	pencil
C70 I Cabriolet										
2.0	03.98 - 10.05	132	1984	5	B 5204 T2	CL119	1			
2.0T	03.00 - 10.05	120	1984	5	B 5204 T4	CL121	5	CP034	5	pencil
2.0T	03.98 - 08.98	166	1984	5	B 5204 T3	CL119	1			year / with distributor
	08.98 - 10.05	166	1984	5	B 5204 T3	CL121	5	CP034	5	year / pencil
2.3 T5	03.98 - 08.98	176	2319	5	B 5234 T3	CL119	1			year / with distributor
	08.98 - 10.05	176	2319	5	B 5234 T3	CL121	5	CP034	5	year / pencil
2.3 T5	07.02 - 10.05	180	2319	5	B 5234 T9	CL121	5	CP034	5	pencil
2.4T	07.02 - 10.05	147	2435	5	B 5244 T7	CL121	5	CP034	5	pencil
2.5	06.98 - 10.05	125	2435	5	B 5254 S	CL121	5	CP034	5	pencil



model	year	kW	cm ³	cyl	engine	coil	pcs	boot	pcs	info
VOLVO										
C70 I Cabriolet										
2.5T	03.98 - 08.98	142	2435	5	B 5254T	CL119	1			year / with distributor
	08.98 - 10.05	142	2435	5	B 5254T/B 5244T	CL121	5	CP034	5	year / pencil
C70 I Coupe										
2.0	03.97 - 09.02	132	1984	5	B 5204T2	CL119	1			
2.0T	03.00 - 09.02	120	1984	5	B 5204T4	CL121	5	CP034	5	pencil
2.0T	03.97 - 07.98	166	1984	5	B 5204T3	CL119	1			year / with distributor
	08.98 - 09.02	166	1984	5	B 5204T3	CL121	5	CP034	5	year / pencil
2.3T-5	03.97 - 07.98	176	2319	5	B 5234T3	CL119	1			year / with distributor
	08.98 - 09.02	176	2319	5	B 5234T3	CL121	5	CP034	5	year / pencil
2.5	03.99 - 09.02	121	2435	5	B 5254 S	CL121	5	CP034	5	pencil
2.5	05.99 - 09.02	125	2435	5	B 5244 S/B 5254 S	CL121	5	CP034	5	pencil
2.5T	03.97 - 09.02	142	2435	5	B 5254T	CL119	1			
C70 II Cabriolet										
2.4	03.06 -	103	2435	5	B 5244 S5	CL410	5	CP035	5	pencil
2.4i	03.06 -	125	2435	5	B 5244 S4	CL410	5	CP035	5	pencil
2.5T5	03.06 -	162	2521	5	B 5254T3	CL410	5	CP035	5	pencil
2.5T5	03.07 -	169	2521	5	B 5254T7	CL410	5	CP035	5	pencil
S40 I (VS)										
1.6	09.95 - 08.99	77	1588	4	B 4164 S	CL136	1			twin coil / for cyl 1-4
						CL137	1			twin coil / for cyl 2-3
1.6	03.99 - 12.03	80	1587	4	B 4164 S2	CL136	1			twin coil / for cyl 1-4
						CL137	1			twin coil / for cyl 2-3
						CL707	2			semidirect / pencil
1.8	07.95 - 08.99	85	1731	4	B 4184 S3/B 4184 S	CL136	1			twin coil / for cyl 1-4
						CL137	1			twin coil / for cyl 2-3
						CL707	2			semidirect / pencil
1.8	03.99 - 12.03	90	1783	4	B 4184 S2/B 4184 S9	CL136	1			twin coil / for cyl 1-4
						CL137	1			twin coil / for cyl 2-3
						CL707	2			semidirect / pencil
1.8i	06.01 - 12.03	90	1834	4	B 4184 SJ	CL136	1			twin coil / for cyl 1-4
						CL137	1			twin coil / for cyl 2-3
						CL707	2			semidirect / pencil
1.8i	03.98 - 12.03	92	1834	4	B 4184 SM	CL136	1			twin coil / for cyl 1-4
						CL137	1			twin coil / for cyl 2-3
1.9T4	05.97 - 07.00	147	1855	4	B 4194T/B 4194T2	CL707	2			semidirect / pencil
2.0	07.95 - 12.03	100	1948	4	B 4204 S2/B 4204 S	CL136	1			twin coil / for cyl 1-4
						CL137	1			twin coil / for cyl 2-3
						CL707	2			semidirect / pencil
2.0	07.95 - 08.99	103	1948	4	B 4204 S	CL136	1			twin coil / for cyl 1-4
						CL137	1			twin coil / for cyl 2-3
2.0T	10.97 - 12.03	118	1948	4	B 4204 T	CL707	2			semidirect / pencil
2.0T	06.01 - 12.03	120	1948	4	B 4204 T3	CL707	2			semidirect / pencil
2.0T	07.00 - 06.01	121	1948	4	B 4204 T2/B 4204 T3	CL707	2			semidirect / pencil
2.0T4	07.00 - 12.03	147	1948	4	B 4204 T5	CL707	2			semidirect / pencil
S40 II (MS)										
1.6	01.05 -	74	1596	4	B 4164 S3	CL403	1			
1.8	04.04 -	92	1798	4	B 4184 S11	CL405	4	CP048	4	pencil
1.8 FlexFuel	01.06 -	92	1798	4	B 4184 S8	CL405	4	CP048	4	pencil
2.0	10.06 -	107	1999	4	B 4204 S3	CL405	4	CP048	4	pencil
2.4	01.04 -	103	2435	5	B 5244 S5	CL410	5	CP035	5	pencil
2.4	01.04 -	125	2435	5	B 5244 S4	CL410	5	CP035	5	pencil
2.5T5	01.04 -	162	2521	5	B 5254T3	CL410	5	CP035	5	pencil
2.5T5	03.07 -	169	2521	5	B 5254T7	CL410	5	CP035	5	pencil
2.5T5 AWD	04.04 -	162	2521	5	B 5254T3	CL410	5	CP035	5	pencil
2.5T5 AWD	03.07 -	169	2521	5	B 5254T7	CL410	5	CP035	5	pencil
S60 I										
2.0T	07.00 - 07.04	132	1984	5	B 5204T5	CL121	5	CP034	5	year / pencil
	08.04 - 04.10	132	1984	5	B 5204T5	CL410	5	CP035	5	year / pencil
2.3T5	11.00 - 04.10	184	2319	5	B 5234T3	CL121	5	CP034	5	pencil
2.4	11.00 - 04.10	103	2435	5	B 5244 S2	CL121	5	CP034	5	pencil
2.4	11.00 - 04.10	125	2435	5	B 5244 S	CL121	5	CP034	5	pencil
2.4 BiFuel (CNG)	06.02 - 04.10	103	2435	5	B 5244 SG	CL121	5	CP034	5	pencil
2.4T	11.00 - 04.10	147	2435	5	B 5244T3	CL410	5	CP035	5	pencil
2.4T AWD	11.01 - 04.10	147	2435	5	B 5244T3	CL410	5	CP035	5	pencil
2.4T5	04.04 - 04.10	191	2401	5	B 5244T5	CL410	5	CP035	5	pencil
2.5T	02.04 - 04.10	154	2521	5	B 5254T2	CL121	5	CP034	5	pencil
2.5T AWD	04.04 - 04.10	154	2521	5	B 5254T2	CL121	5	CP034	5	pencil
R 2.5T AWD	03.03 - 04.10	221	2521	5	B 5254T4	CL410	5	CP035	5	pencil
S60 II										
2.0T	04.10 -	149	1999	4	B 4204T6	CL413	4			pencil
2.0T	12.13 -	132	1984	5	B 5204T8	CL410	5			pencil

model	year	kW	cm ³	cyl	engine	coil	pcs	boot	pcs	info
VOLVO										
S60 II										
2.0 T5	04.10 -	177	1999	4	B 4204 T7	CL413	4			pencil
3.0 T6 AWD	04.10 -	224	2953	6	B 6304 T4	CL723	6			pencil
S70 (LS)										
2.0	01.97 - 11.00	93	1984	5	B 5202 S/B 5202 FS	CL119	1			
2.0	01.97 - 11.00	105	1984	5	B 5204 F	CL119	1			
2.0	01.97 - 11.00	120	1984	5	B 5204 T4	CL121	5	CP034	5	pencil
2.0	01.97 - 11.00	132	1984	5	B 5204 T2	CL119	1			
2.0 Turbo	01.97 - 11.00	155	1984	5	B 5204 T	CL119	1			
2.0 Turbo	01.97 - 11.00	166	1984	5	B 5204 T3	CL119	1			with distributor
						CL121	5	CP034	5	pencil
2.3	04.99 - 09.00	195	2319	5	B 5234 T7	CL119	1			with distributor
						CL121	5	CP034	5	pencil
2.3 T-5	01.97 - 07.98	176	2319	5	B 5234 T3	CL119	1			year / with distributor
	08.98 - 11.00	176	2319	5	B 5234 T3	CL121	5	CP034	5	year / pencil
2.3 T5 AWD	07.97 - 09.00	184	2319	5	B 5234 T4	CL119	1			
2.3 Turbo	01.97 - 11.00	184	2319	5	B 5234 FT+	CL119	1			
2.4	08.99 - 11.00	103	2435	5	B 5244 SG/B 5244 S2	CL121	5	CP034	5	pencil
2.4	01.97 - 11.00	125	2435	5	B 5244 S/B 5254 S	CL119	1			with distributor
						CL121	5	CP034	5	pencil
2.4 AWD	04.99 - 09.00	103	2435	5	B 5244 S2	CL121	5	CP034	5	pencil
2.4 AWD	11.96 - 05.99	106	2435	5	B 5252 FS	CL119	1			
2.4 AWD	10.98 - 05.99	121	2435	5	B 5254 S	CL121	5	CP034	5	pencil
2.4 AWD	04.99 - 09.00	125	2435	5	B 5244 S	CL121	5	CP034	5	pencil
2.4 T5 AWD	11.96 - 07.98	142	2435	5	B 5254 T	CL119	1			year / with distributor
	08.98 - 04.99	142	2435	5	B 5254 T	CL121	5	CP034	5	year / pencil
2.4 Turbo	01.97 - 07.98	142	2435	5	B 5254 T/B 5244 T	CL119	1			year / with distributor
	08.98 - 11.00	142	2435	5	B 5254 T/B 5244 T	CL121	5	CP034	5	year / pencil
2.5	01.97 - 11.00	106	2435	5	B 5252 FS	CL119	1			
2.5	06.98 - 11.00	121	2435	5	B 5254 S	CL119	1			
2.5 BiFuel	07.99 - 11.00	103	2435	5	B 5244 SG	CL121	5	CP034	5	pencil
2.5 BiFuel	10.98 - 11.00	106	2435	5	GB 5252 S	CL119	1			
S80 I (TS, XY)										
2.0	06.98 - 07.06	120	1984	5	B 5204 T4	CL121	5	CP034	5	pencil
2.0 T	12.99 - 07.04	132	1984	5	B 5204 T5	CL121	5	CP034	5	year / pencil
	08.04 - 07.06	132	1984	5	B 5204 T5	CL410	5	CP035	5	year / pencil
2.0 T	06.98 - 07.06	166	1984	5	B 5204 T3	CL121	5	CP034	5	pencil
2.4	01.99 - 07.06	103	2435	5	B 5244 S2	CL121	5	CP034	5	pencil
2.4	01.99 - 07.06	125	2435	5	B 5244 S	CL121	5	CP034	5	pencil
2.4 BiFuel (CNG)	09.01 - 07.06	103	2435	5	B 5244 SG2	CL121	5	CP034	5	pencil
2.4 T	06.00 - 07.06	147	2435	5	B 5244 T3	CL121	5	CP034	5	pencil
2.4 T5 AWD	04.00 - 09.03	147	2435	5	B 5244 T3	CL121	5	CP034	5	pencil
2.5 T	03.03 - 07.06	154	2521	5	B 5254 T2	CL121	5	CP034	5	pencil
2.5 T AWD	07.03 - 07.06	154	2521	5	B 5254 T2	CL121	5	CP034	5	pencil
2.8 T6	05.98 - 07.06	200	2783	6	B 6284 T	CL121	6	CP034	6	pencil
2.9	03.99 - 07.06	147	2922	6	B 6294 S	CL121	6	CP034	6	pencil
2.9	05.98 - 07.06	150	2922	6	B 6304 S3	CL121	6	CP034	6	pencil
3.0	06.01 - 07.06	144	2922	6	B 6294 S2	CL121	6	CP034	6	pencil
3.0 T6	06.01 - 07.06	200	2922	6	B 6294 T	CL121	6	CP034	6	pencil
S80 II (AS)										
2.0	01.08 -	107	1999	4	B 4204 S3	CL405	4	CP048	4	pencil
2.0 FlexFuel	01.08 -	107	1999	4	B 4204 S4	CL405	4	CP048	4	pencil
2.5 T	03.06 -	147	2521	5	B 5254 T6	CL410	5	CP035	5	pencil
2.5 T	01.10 -	170	2521	5	B 5254 T10	CL410	5	CP035	5	pencil
2.5 T FlexFuel	05.08 -	147	2521	5	B 5254 T8	CL410	5	CP035	5	pencil
2.5 T FlexFuel	01.10 -	170	2521	5	B 5254 T11	CL410	5	CP035	5	pencil
3.0 T6 AWD	10.10 -	224	2953	6	B 6304 T4	CL723	6			pencil
3.2	03.06 -	175	3192	6	B 6324 S	CL723	6			pencil
3.2 AWD	01.07 -	175	3192	6	B 6324 S	CL723	6			pencil
S90										
2.9	01.97 - 05.98	132	2922	6	B 6304 S2	CL719	6			pencil
2.9	01.97 - 05.98	150	2922	6	B 6304 G	CL719	6			pencil
V40 CC										
2.0 T5	12.13 -	132	1984	5	B 5204 T8	CL410	5	CP035	5	pencil
2.0 T5 AWD	07.13 -	132	1984	5	B 5204 T8	CL410	5	CP035	5	pencil
2.0 T5	03.13 -	157	1984	5	B 5204 T9	CL410	5	CP035	5	pencil
2.0 T5 AWD	03.13 -	157	1984	5	B 5204 T9	CL410	5	CP035	5	pencil
2.5 T5	12.12 -	187	2497	5	B 5254 T12	CL410	5	CP035	5	pencil
2.5 T5 AWD	01.13 -	187	2497	5	B 5254 T12	CL410	5	CP035	5	pencil
2.5 T5	01.14 -	183	2497	5	B 5254 T14	CL410	5	CP035	5	pencil

model	year	kW	cm ³	cyl	engine	coil	pcs	boot	pcs	info
VOLVO										
V40 Combi (VW)										
1.6	12.95 - 08.99	77	1588	4	B 4164 S	CL136	1			twin coil / for cyl 1-4
						CL137	1			twin coil / for cyl 2-3
1.6	03.99 - 06.04	80	1587	4	B 4164 S2	CL136	1			twin coil / for cyl 1-4
						CL137	1			twin coil / for cyl 2-3
						CL707	2			semidirect / pencil
1.8	07.95 - 08.99	85	1731	4	B 4184 S3/B 4184 S	CL136	1			twin coil / for cyl 1-4
						CL137	1			twin coil / for cyl 2-3
						CL707	2			semidirect / pencil
1.8	03.99 - 06.04	90	1783	4	B 4184 S2/B 4184 S9	CL136	1			twin coil / for cyl 1-4
						CL137	1			twin coil / for cyl 2-3
						CL707	2			semidirect / pencil
1.8 i	06.01 - 06.04	90	1834	4	B 4184 SJ	CL707	2			semidirect / pencil
1.8 i	03.98 - 06.04	92	1834	4	B 4184 SM	CL136	1			twin coil / for cyl 1-4
						CL137	1			twin coil / for cyl 2-3
1.9 T4	05.97 - 07.00	147	1855	4	B 4194 T	CL707	2			semidirect / pencil
2.0	07.95 - 06.04	100	1948	4	B 4204 S2/B 4204 S	CL136	1			twin coil / for cyl 1-4
						CL137	1			twin coil / for cyl 2-3
						CL707	2			semidirect / pencil
2.0	07.95 - 08.99	103	1948	4	B 4204 S	CL136	1			twin coil / for cyl 1-4
						CL137	1			twin coil / for cyl 2-3
2.0 T	10.97 - 07.00	118	1948	4	B 4204 T	CL707	2			semidirect / pencil
2.0 T	06.01 - 06.04	120	1948	4	B 4204 T3	CL707	2			semidirect / pencil
2.0 T4	07.00 - 06.04	147	1948	4	B 4204 T5	CL707	2			semidirect / pencil
V50 (MW)										
1.6	01.05 -	74	1596	4	B 4164 S3	CL403	1			
1.8	04.04 -	92	1798	4	B 4184 S11	CL405	4	CP048	4	pencil
1.8 FlexFuel	01.05 -	92	1798	4	B 4184 S8	CL405	4	CP048	4	pencil
2.0	10.06 -	107	1999	4	B 4204 S3	CL405	4	CP048	4	pencil
2.0 FlexFuel	01.10 -	107	1999	4	B 4204 S4	CL405	4	CP048	4	pencil
2.4	04.04 -	103	2435	5	B 5244 S5	CL410	5	CP035	5	pencil
2.4	04.04 -	125	2435	5	B 5244 S4	CL410	5	CP035	5	pencil
2.5 T5	04.04 -	162	2521	5	B 5254 T3	CL410	5	CP035	5	pencil
2.5 T5	03.07 -	169	2521	5	B 5254 T7	CL410	5	CP035	5	pencil
2.5 T5 AWD	04.04 -	162	2521	5	B 5254 T3	CL410	5	CP035	5	pencil
2.5 T5 AWD	03.07 -	169	2521	5	B 5254 T7	CL410	5	CP035	5	pencil
V60										
2.0 T	09.10 -	149	1999	4	B 4204 T6	CL413	4			pencil
2.0 T5	04.14 -	157	1984	5	B 5204 T9	CL410	5	CP035	5	pencil
2.0 T5	09.10 -	177	1999	4	B 4204 T7	CL413	4			pencil
3.0 T6 AWD	09.10 -	224	2953	6	B 6304 T4	CL723	6			pencil
V70 I (LV)										
2.0	01.97 - 03.00	93	1984	5	B 5202 S	CL119	1			
2.0	01.97 - 03.00	105	1984	5	B 5204 F	CL119	1			
2.0	01.97 - 03.00	120	1984	5	B 5204 T4	CL121	5	CP034	5	pencil
2.0	01.97 - 03.00	132	1984	5	B 5204 T2	CL119	1			
2.0 Turbo	01.97 - 07.98	155	1984	5	B 5204 T	CL119	1			year / with distributor
	08.98 - 03.00	155	1984	5	B 5204 T	CL121	5	CP034	5	year / pencil
2.0 Turbo	01.97 - 07.98	166	1984	5	B 5204 T3	CL119	1			year / with distributor
	08.98 - 03.00	166	1984	5	B 5204 T3	CL121	5	CP034	5	year / pencil
2.0 Turbo AWD	01.97 - 07.98	166	1984	5	B 5204 T3	CL119	1			year / with distributor
	08.98 - 03.00	166	1984	5	B 5204 T3	CL121	5	CP034	5	year / pencil
2.3 AWD	04.97 - 07.98	177	2319	5	B 5234 T3	CL119	1			year / with distributor
	08.98 - 09.98	177	2319	5	B 5234 T3	CL121	5	CP034	5	year / pencil
2.3 Turbo	01.97 - 03.00	184	2319	5	B 5234 FT+	CL119	1			
2.3 T AWD	04.97 - 03.00	184	2319	5	B 5234 T4/B 5234 FT+	CL119	1			
2.3 T-5	01.97 - 07.98	176	2319	5	B 5234 T3	CL119	1			year / with distributor
	08.98 - 03.00	176	2319	5	B 5234 T3	CL121	5	CP034	5	year / pencil
2.3 T-5 AWD	01.97 - 07.98	176	2319	5	B 5234 T3	CL119	1			year / with distributor
	08.98 - 03.00	176	2319	5	B 5234 T3	CL121	5	CP034	5	year / pencil
2.4	08.99 - 05.00	103	2435	5	B 5244 SG2/B 5244 S2	CL121	5	CP034	5	pencil
2.4	01.97 - 05.00	125	2435	5	B 5244 S/B 5254 S	CL121	5	CP034	5	pencil
2.4 AWD	10.98 - 05.99	121	2435	5	B 5254 S	CL121	5	CP034	5	pencil
2.4 BiFuel	08.99 - 03.00	103	2435	5	B 5244 SG	CL121	5	CP034	5	pencil
2.4 Turbo	01.97 - 07.98	142	2435	5	B 5254 T	CL119	1			year / with distributor
	08.98 - 03.00	142	2435	5	B 5254 T/B 5244 T	CL121	5	CP034	5	year / pencil
2.5	01.97 - 03.00	106	2435	5	B 5252 FS	CL119	1			
2.5	06.98 - 03.00	121	2435	5	B 5254 S	CL119	1			
2.5 BiFuel	10.98 - 08.99	106	2435	5	GB 5252 S	CL119	1			
2.5 Turbo AWD	01.97 - 07.98	142	2435	5	B 5254 T/B 5244 T	CL119	1			year / with distributor
	08.98 - 05.00	142	2435	5	B 5254 T/B 5244 T	CL121	5	CP034	5	year / pencil

model	year	kW	cm ³	cyl	engine	coil	pcs	boot	pcs	info
VOLVO										
V70 II (SW)										
2.0T	07.01 - 08.07	132	1984	5	B 5204 T5	CL121	5	CP034	5	1 st pencil
						CL410	5	CP035	5	2 nd pencil
2.3 T5	03.00 - 08.04	184	2319	5	B 5234 T3	CL121	5	CP034	5	pencil
2.4	03.00 - 08.07	103	2435	5	B 5244 S2	CL121	5	CP034	5	pencil
2.4	03.00 - 08.07	125	2435	5	B 5244 S	CL121	5	CP034	5	pencil
2.4 BiFuel (CNG)	09.01 - 08.07	103	2435	5	B 5244 SG	CL121	5	CP034	5	pencil
2.4 T	03.00 - 08.03	147	2435	5	B 5244 T3	CL121	5	CP034	5	pencil
2.4 T AWD	09.01 - 08.02	147	2435	5	B 5244 T3	CL121	5	CP034	5	pencil
2.4 T5	04.04 - 08.07	191	2401	5	B 5244 T5	CL410	5	CP035	5	pencil
2.5 AWD	09.02 - 12.04	155	2521	5	B 5254 T2	CL121	5	CP034	5	pencil
2.5 T	04.04 - 08.07	154	2521	5	B 5254 T2	CL121	5	CP034	5	pencil
2.5 T AWD	09.02 - 08.07	154	2521	5	B 5254 T2	CL121	5	CP034	5	pencil
R 2,5 T AWD	03.03 - 08.07	221	2521	5	B 5254 T4	CL410	5	CP035	5	pencil
V70 III (BW)										
2.0	10.07 -	107	1999	4	B 4204 S3	CL405	4	CP048	4	pencil
2.0 FlexiFuel	01.08 -	107	1999	4	B 4204 S4	CL405	4	CP048	4	pencil
2.0 T	01.10 -	149	1999	4	B 4204 T6	CL413	4			pencil
2.0 T5	01.10 -	177	1999	4	B 4204 T7	CL413	4			pencil
2.5 T	08.07 -	147	2521	5	B 5254 T6	CL410	5	CP035	5	pencil
2.5 T	01.10 -	170	2521	5	B 5254 T10	CL410	5	CP035	5	pencil
2.5 T FlexiFuel	05.08 -	147	2521	5	B 5254 T8	CL410	5	CP035	5	pencil
2.5 T FlexiFuel	10.09 -	170	2521	5	B 5254 T11	CL410	5	CP035	5	pencil
3.2	08.07 -	175	3192	6	B 6324 S	CL723	6			pencil
3.0 T6 AWD	04.11 -	224	2953	6	B 6304 T4	CL723	6			pencil
3.2 AWD	08.07 -	175	3192	6	B 6324 S	CL723	6			pencil
V90 Combi										
2.9	01.97 - 12.98	132	2922	6	B 6304 S2	CL719	6			pencil
2.9	01.97 - 12.98	150	2922	6	B 6304 G	CL719	6			pencil
XC60										
2.0 T	03.10 -	149	1999	4	B 4204 T6	CL413	4			pencil
2.0 T5	09.10 -	177	1999	4	B 4204 T7	CL413	4			pencil
2.5 T5 AWD	04.14 -	187	2497	5	B 5254 T12	CL410	5	CP035	5	pencil
3.0 T6 AWD	03.10 -	224	2953	6	B 6304 T4	CL723	6			pencil
3.2 AWD	07.09 -	175	3192	6	B 6324 S	CL723	6			pencil
XC70 Cross Country										
2.4 T XC AWD	11.97 - 09.02	142	2435	5	B 5254 T	CL121	5	CP034	5	pencil
2.4 T XC AWD	03.00 - 09.02	147	2435	5	B 5244 T3	CL121	5	CP034	5	pencil
2.5 T XC AWD	09.02 - 08.07	154	2521	5	B 5254 T2	CL121	5	CP034	5	pencil
XC70 II										
3.2 AWD	08.07 -	175	3192	6	B 6324 S	CL723	6			pencil
3.0 T6 AWD	01.10 -	224	2953	6	B 6304 T4	CL723	6			pencil
XC90 I										
2.5 T	10.02 -	154	2521	5	B 5254 T2	CL121	5	CP034	5	pencil
2.5 T AWD	10.12 -	154	2497	5	B 5254 T9	CL121	5	CP034	5	pencil
2.9 T6	10.02 -	200	2922	6	B 6294 T	CL121	6	CP034	6	pencil
3.2 AWD	05.06 -	175	3192	6	B 6324 S	CL723	6			pencil
VW										
Amarok (2H , S1B)										
2.0 TSI	12.10 -	118	1984	4	CFPA	CL011	4			pencil
Beetle (5C1)										
1.2 TSI	07.11 -	77	1197	4	CBZB	CL002	1			
1.4 TSI	12.14 -	110	1395	4	CZDA	CL031	4			pencil
1.4 TSI	04.11 -	118	1390	4	CTKA/CAVD/CTHD/CNWA	CL003	4			pencil
2.0 TSI	04.11 -	147	1984	4	CBFA/CCZA/CCTA	CL011	4			pencil
2.0 TSI	12.12 -	155	1984	4	CPPA/CPLA	CL032	4			pencil
2.0 TSI	12.14 -	162	1984	4	CULC	CL032	4			pencil
2.5	04.11 -	125	2480	5	CCCA/CBUA/CBTA	CL011	5			pencil
Beetle Cabriolet (5C7)										
1.2 TSI	12.12 -	77	1197	4	CYVD/CBZB	CL002	1			
1.4 TSI	12.14 -	110	1395	4	CZDA	CL031	4			pencil
1.4 TSI	12.12 -	118	1390	4	CTKA/CAVD/CTHD/CNWA	CL003	4			pencil
1.8 TSI	12.13 -	125	1798	4	CPKA/CPRA	CL032	4			pencil
2.0 TSI	12.12 -	147	1984	4	CBFA/CCZA/CCTA	CL011	4			pencil
2.0 TSI	12.12 -	155	1984	4	CPPA/CPLA	CL032	4			pencil
2.0 TSI	12.14 -	162	1984	4	CULC	CL032	4			pencil
Bora (1J2)										
1.4 16V	03.00 - 05.05	55	1390	4	AHW/AXP/APE/AKQ	CL002	1			coil 4xPIN / engine code
				4	BCA	CL003	4			pencil / engine code
1.6	10.98 - 05.05	74	1595	4	AKL/APF/AEH	CL002	1			
1.6	08.00 - 05.05	75	1595	4	AVU/BFQ	CL002	1			

model	year	kW	cm ³	cyl	engine	coil	pcs	boot	pcs	info
-------	------	----	-----------------	-----	--------	------	-----	------	-----	------

VW

Bora (1J2)

1.6 16V	05.00 - 05.05	77	1598	4	AUS/ATN	CL002	1			coil 4xPIN / engine code
				4	BCB/AZD	CL003	4		pencil / engine code	
1.6 FSI	01.02 - 05.05	81	1598	4	BAD	CL003	4			pencil
1.8	10.98 - 05.05	92	1781	4	AGN	CL002	1			
1.8 4motion	02.99 - 05.05	92	1781	4	AGN	CL002	1			
1.8 T	05.00 - 05.05	110	1781	4	AGU	CL004	4	CP001	4	pencil / engine code
				4	ARX/AUM	CL005	4		pencil / engine code	
1.8 T	03.02 - 05.05	132	1781	4	AUQ	CL005	4			pencil
2.0	10.98 - 05.05	85	1984	4	APK/AZH/AQY	CL002	1			engine code
				4	AZJ/AZG	CL010	1		engine code	
2.0 4motion	04.00 - 05.05	85	1984	4	AZH	CL002	1			engine code
				4	AZJ	CL010	1		engine code	
2.3 V5	10.98 - 10.00	110	2324	5	AGZ	CL020	1			
2.3 V5	10.00 - 05.05	125	2324	5	AQN	CL023	5			pencil
2.3 V5 4motion	12.98 - 10.00	110	2324	5	AGZ	CL020	1			
2.3 V5 4motion	10.00 - 05.05	125	2324	5	AQN	CL023	5			pencil
2.8 V6 4motion	03.99 - 04.01	150	2792	6	AQP/AUE	CL030	1			year / coil 6xPIN / engine code
	05.01 - 05.05	150		6	BDE	CL023	6			year / pencil / engine code

Bora Combi (1J6)

1.4 16V	09.01 - 05.05	55	1390	4	AHW/AXP	CL002	1			coil 4xPIN / engine code
				4	BCA	CL003	4		pencil / engine code	
1.6	05.99 - 05.05	74	1595	4	APF/AEH	CL002	1			
1.6	08.00 - 05.05	75	1595	4	AVU/BFQ	CL002	1			
1.6 16V	02.00 - 05.05	77	1598	4	AUS/ATN	CL002	1			coil 4xPIN / engine code
				4	BCB/AZD	CL003	4		pencil / engine code	
1.6 FSI	01.02 - 05.05	81	1598	4	BAD	CL003	4			pencil
1.8 4motion	05.99 - 05.05	92	1781	4	AGN	CL002	1			
1.8 T	05.00 - 05.05	110	1781	4	AGU	CL004	4	CP001	4	pencil / engine code
				4	ARX/AUM	CL005	4		pencil / engine code	
1.8 T	05.02 - 05.05	132	1781	4	AUQ	CL005	4			pencil
2.0	05.99 - 05.05	85	1984	4	APK/AZH/AQY	CL002	1			engine code
				4	AZJ/AZG	CL010	1		engine code	
2.0 4motion	04.00 - 05.05	85	1984	4	AZH	CL002	1			engine code
				4	AZJ	CL010	1		engine code	
2.3 V5	05.99 - 04.00	110	2324	5	AGZ	CL020	1			
2.3 V5	10.00 - 05.05	125	2324	5	AQN	CL023	5			pencil
2.3 V5 4motion	05.99 - 10.00	110	2324	5	AGZ	CL020	1			
2.3 V5 4motion	10.00 - 05.05	125	2324	5	AQN	CL023	5			pencil
2.8 V6 4motion	05.99 - 04.01	150	2792	6	AQP/AUE	CL030	1			year / coil 6xPIN / engine code
	04.01 - 05.05	150		6	BDE	CL023	6			year / pencil / engine code
2.8 VR6	03.00 - 05.00	150	2792	6	AUE	CL023	6			pencil

Caddy II Combi (9K9B)

1.4	11.95 - 01.04	44	1390	4	AEX/AKV/APQ	CL001	1			engine code
				4	AUD	CL002	1		engine code	
1.4 16V	08.00 - 01.04	55	1390	4	AUA	CL002	1			
1.6	11.95 - 05.97	55	1595	4	1F	CL001	1			
1.6	06.97 - 09.00	55	1598	4	AEE	CL001	1			

Caddy II Pick-up (9U7)

1.6	06.96 - 12.00	55	1598	4	AEE	CL001	1			
-----	---------------	----	------	---	-----	-------	---	--	--	--

Caddy II Van (9K9A)

1.4 60	11.95 - 01.04	44	1390	4	AEX/APQ	CL001	1			engine code
				4	AUD	CL002	1		engine code	
1.4	08.00 - 01.04	55	1390	4	AUA	CL002	1			
1.6 75	11.95 - 09.00	55	1598	4	AEE	CL001	1			
1.6 75	11.95 - 05.97	55	1595	4	1F	CL001	1			

Caddy III Combi (2KB, 2KJ, 2CB, 2CJ)

1.2 TSI	09.10 -	63	1197	4	CBZA	CL002	1			
1.2 TSI	09.10 -	77	1197	4	CBZB	CL002	1			
1.4	03.04 - 05.06	55	1390	4	BCA	CL003	4			pencil
1.4 16V	05.06 - 08.10	59	1390	4	BUD	CL003	4			pencil
1.6	04.04 -	75	1595	4	BGU/BSF/BSE	CL002	1			
1.6 BiFuel	05.11 -	75	1595	4	CHGA	CL002	1			
2.0 EcoFuel	04.06 -	80	1984	4	BSX	CL010	1			

Caddy III Van (2KA, 2KH, 2CA, 2CH)

1.2 TSI	09.10 -	63	1197	4	CBZA	CL002	1			
1.2 TSI	09.10 -	77	1197	4	CBZB	CL002	1			
1.4	03.04 - 05.06	55	1390	4	BCA	CL003	4			pencil
1.4 16V	05.06 - 08.10	59	1390	4	BUD	CL003	4			pencil
1.6	04.04 -	75	1595	4	BGU/BSF/BSE	CL002	1			
1.6 BiFuel	05.11 -	75	1595	4	CHGA	CL002	1			
2.0 EcoFuel	04.06 -	80	1984	4	BSX	CL010	1			

model	year	kW	cm ³	cyl	engine	coil	pcs	boot	pcs	info
VW										
Caddy IV Combi (SAB, SAJ)										
1.2 TSI	06.15 -	62	1197	4	CYVC	CL031	4			pencil
1.4 TSI CNG	06.15 -	81	1395	4	CPWA	CL031	4			pencil
1.4 TSI	05.15 -	92	1395	4	CZCB	CL031	4			pencil
Caddy IV Van (SAA, SAH)										
1.2 TSI	06.15 -	62	1197	4	CYVC	CL031	4			pencil
1.4 TSI CNG	06.15 -	81	1395	4	CPWA	CL031	4			pencil
1.4 TSI	05.15 -	92	1395	4	CZCB	CL031	4			pencil
CC (358)										
1.4 TSI	05.15 -	110	1395	4	CZDA	CL031	4			pencil
1.4 TSI	11.11 -	118	1390	4	CTHD	CL003	4			pencil
1.4 TSI MultiFuel	11.11 -	118	1390	4	CKMA	CL003	4			pencil
1.8 TSI	11.11 -	118	1798	4	CDAA	CL011	4			pencil
2.0 TSI	11.11 -	155	1984	4	CCZB	CL011	4			pencil
3.6 FSI 4motion	11.11 -	220	3597	6	BWS	CL016	6			pencil
Corrado (53I)										
1.8 16V	04.89 - 07.92	100	1781	4	KR	CL018	1			
1.8 G60	09.88 - 09.93	118	1781	4	PG	CL018	1			
2.0 i	04.93 - 12.95	85	1984	4	2E	CL001	1			
2.0 i 16V	08.91 - 12.95	100	1984	4	9A	CL001	1			
2.9 VR6	08.91 - 12.95	140	2861	6	ABV	CL001	1			
Derby (86C, 80)										
1.3	08.83 - 12.84	40	1272	4	HK	CL018	1			
Eos (1F7, 1F8)										
1.4 TSI	11.07 -	90	1390	4	CAXA	CL003	4			pencil
1.4 TSI	05.08 -	118	1390	4	CAVD/CTHD	CL003	4			pencil
1.6 FSI	06.06 - 05.08	85	1598	4	BLF	CL003	4			pencil
2.0 FSI	03.06 - 05.08	110	1984	4	BVZ/BVY	CL011	4			pencil
2.0 TFSI	03.06 -	147	1984	4	BWA	CL011	4			pencil
2.0 TFSI	11.13 -	162	1984	4	CULC	CL032	4			pencil
2.0 TSI	11.09 -	155	1984	4	CCZB	CL011	4			pencil
3.2 V6	06.06 - 05.09	184	3189	6	CBRA/BUB	CL016	6			pencil
3.6 V6	05.09 - 11.10	191	3597	6	CDVA	CL016	6			pencil
Fox (5Z1, 5Z3)										
1.2	04.05 -	40	1198	3	BMD/CHFB	CL009	3			pencil
1.2	09.10 -	44	1198	3	CHFA	CL009	3			pencil
1.4	04.05 -	55	1390	4	BKR	CL002	1			
Golf I Cabriolet (155)										
1.8	08.83 - 04.93	70	1781	4	JH	CL018	1			
1.8	08.89 - 03.93	72	1781	4	2H	CL018	1			
Golf II (19E, 1G1)										
1.0	08.85 - 10.91	37	1043	4	HZ	CL018	1			
1.3 cat	06.86 - 12.92	40	1272	4	NZ	CL001	1			coil socket with 3 pins
						CL019	1			coil socket with 6 pins
1.6	10.86 - 12.92	51	1595	4	PN	CL018	1			
1.6	02.86 - 10.91	53	1595	4	RF	CL018	1			
1.6	08.83 - 07.92	55	1595	4	HM/EZ	CL018	1			
1.8	08.86 - 01.90	62	1781	4	RH	CL018	1			
1.8 Syncro	02.86 - 07.91	66	1781	4	GX	CL018	1			
1.8 Syncro	08.88 - 07.91	72	1781	4	1P	CL018	1			
1.8 GTI	08.83 - 10.91	82	1781	4	EV/GZ/PB	CL018	1			
1.8 GTI cat	01.87 - 10.91	79	1781	4	PF	CL018	1			
1.8 GTI 16V	02.86 - 10.91	95	1781	4	PL	CL018	1			
1.8 GTI 16V	02.86 - 06.90	102	1781	4	KR	CL018	1			
Golf III (1H1)										
1.4	11.91 - 08.97	40	1390	4	AEX/ABD	CL001	1			
1.4	10.91 - 08.97	44	1390	4	AEX/ABD	CL001	1			
1.6	09.92 - 08.97	55	1598	4	ABU/AEA/AEE	CL001	1			
1.6	07.95 - 08.97	74	1595	4	AEK/AFT/AKS	CL001	1			
1.8	11.91 - 08.97	55	1781	4	AAM	CL001	1			
1.8	11.91 - 08.97	66	1781	4	ACC/ADZ/ABS	CL001	1			
1.8 Syncro	01.93 - 08.97	66	1781	4	ADZ/ABS	CL001	1			
2.0	11.91 - 08.97	85	1984	4	ADY/AKR/AGG	CL001	1			
2.0 Syncro	08.95 - 08.97	85	1984	4	AGG	CL001	1			
2.0 GTI 16V	08.92 - 08.97	110	1984	4	ABF	CL001	1			
2.8 VR6	01.92 - 08.97	128	2792	6	AAA	CL001	1			with distributor
						CL021	1			without distributor
2.9 VR6 Syncro	10.94 - 08.97	140	2861	6	ABV	CL001	1			with distributor
						CL021	1			without distributor
Golf III Cabriolet (1E7)										
1.6	10.94 - 05.98	74	1595	4	AEK/AFT/AKS	CL001	1			
1.8	07.93 - 05.98	55	1781	4	AAM	CL001	1			



model	year	kW	cm ³	cyl	engine	coil	pcs	boot	pcs	info
-------	------	----	-----------------	-----	--------	------	-----	------	-----	------

VW

Golf III Cabriolet (1E7)

1.8	07.93 - 05.98	66	1781	4	ADZ/ABS	CL001	1			
2.0	07.93 - 05.98	85	1984	4	ADY/AKR/AGG	CL001	1			

Golf III Variant (1H5)

1.4	07.93 - 04.99	40	1390	4	ABD	CL001	1			
1.4	07.93 - 04.99	44	1390	4	AEX/ABD/APQ	CL001	1			
1.6	07.94 - 04.99	74	1595	4	AFT/AKS	CL001	1			
1.8	07.93 - 04.99	55	1781	4	ANN/AAM	CL001	1			
1.8	07.93 - 04.99	66	1781	4	ADZ/ANP	CL001	1			
1.8 Syncro	10.94 - 04.99	66	1781	4	ADZ	CL001	1			
2.0	07.93 - 04.99	85	1984	4	ADY/AKR/AGG	CL001	1			
2.0 Syncro	08.95 - 04.99	85	1984	4	AGG	CL001	1			
2.9 VR6 Syncro	10.94 - 04.99	140	2861	6	ABV	CL001	1			with distributor
						CL021	1			without distributor

Golf IV (1J1)

1.4 16V	08.97 - 06.05	55	1390	4	AHW/AXP/APE/AKQ	CL002	1			coil 4 xPIN / engine code
				4	BCA	CL003	4			pencil / engine code
1.6	08.97 - 05.04	74	1595	4	AKL/APF/AEH	CL002	1			
1.6	08.00 - 06.05	75	1595	4	AVU/BFQ	CL002	1			
1.6 16V	02.00 - 06.05	77	1598	4	AUS/ATN	CL002	1			coil 4xPIN / engine code
				4	BCB/AZD	CL003	4			pencil / engine code
1.6 FSI	01.02 - 06.05	81	1598	4	BAD	CL003	4			pencil
1.8	08.97 - 06.05	92	1781	4	AGN	CL002	1			
1.8 4motion	05.98 - 06.05	92	1781	4	AGN	CL002	1			
1.8 T	08.97 - 06.05	110	1781	4	AGU	CL004	4	CP001	4	pencil / engine code
				4	AUM	CL005	4			pencil / engine code
1.8 T GTI	08.01 - 06.05	132	1781	4	AUQ	CL005	4			
2.0	07.98 - 05.04	85	1984	4	APK/AQY	CL002	1			engine code
				4	AZJ/AZG	CL010	1			engine code
2.0 4motion	10.00 - 06.05	85	1984	4	AZH	CL002	1			engine code
				4	AZJ	CL010	1			engine code
2.3 V5	08.97 - 10.00	110	2324	5	AGZ	CL020	1			
2.3 V5	10.00 - 06.05	125	2324	5	AQN	CL023	5			pencil
2.3 V5 4motion	12.98 - 04.99	110	2324	5	AGZ	CL020	1			
2.3 V5 4motion	10.00 - 06.05	125	2324	5	AQN	CL023	5			pencil
2.8 V6 4motion	03.99 - 04.01	150	2792	6	AQP/AUE	CL030	1			year / coil 6xPIN / engine code
	05.01 - 06.05	150		6	BDE	CL023	6			year / pencil / engine code
3.2 R32 4motion	09.02 - 06.05	177	3189	6	BFH/BML	CL016	6			pencil

Golf IV Cabriolet (1E7)

1.6	06.98 - 06.02	74	1595	4	AFT/AKS	CL001	1			
1.8	06.98 - 06.02	55	1781	4	ANN/AAM	CL001	1			
1.8	06.98 - 06.02	66	1781	4	ADZ/ANP	CL001	1			
2.0	06.98 - 06.02	85	1984	4	AKR/AGG	CL001	1			engine code
				4	ATU	CL002	1			engine code

Golf IV Variant (1J5)

1.4 16V	05.99 - 06.06	55	1390	4	AHW/AXP/APE/AKQ	CL002	1			coil 4xPIN / engine code
				4	BCA	CL003	4			pencil / engine code
1.6	05.99 - 04.02	74	1595	4	AKL/APF/AEH	CL002	1			
1.6	08.00 - 06.06	75	1595	4	AVU/BFQ	CL002	1			
1.6 16V	02.00 - 06.06	77	1598	4	AUS/ATN	CL002	1			coil 4xPIN / engine code
				4	BCB/AZD	CL003	4			pencil / engine code
1.6 FSI	01.02 - 06.06	81	1598	4	BAD	CL003	4			pencil
1.8 4motion	05.99 - 06.06	92	1781	4	AGN	CL002	1			
1.8 T	05.00 - 06.06	110	1781	4	AGU	CL004	4	CP001	4	pencil / engine code
				4	AUM	CL005	4			pencil / engine code
2.0	05.99 - 06.06	85	1984	4	APK/AQY	CL002	1			engine code
				4	AZJ	CL010	1			engine code
2.0 4motion	10.00 - 06.06	85	1984	4	AZH	CL002	1			engine code
				4	AZJ	CL010	1			engine code
2.0 BiFuel	02.02 - 06.06	85	1984	4	BEH	CL010	1			
2.3 V5	05.99 - 06.06	110	2324	5	AGZ	CL020	1			
2.3 V5	10.00 - 06.06	125	2324	5	AQN	CL023	5			pencil
2.3 V5 4motion	05.99 - 06.06	110	2324	5	AGZ	CL020	1			
2.3 V5 4motion	10.00 - 06.06	125	2324	5	AQN	CL023	5			pencil
2.8 V6 4motion	05.99 - 04.01	150	2792	6	AQP/AUE	CL030	1			year / coil 6xPIN / engine code
	05.01 - 06.06	150	2792	6	BDE	CL023	6			year / pencil / engine code

Golf V (1K1)

1.4 16V	10.03 - 05.06	55	1390	4	BCA	CL003	4			pencil
1.4 16V	05.06 - 11.08	59	1390	4	BUD	CL003	4			pencil
1.4 FSI	10.03 - 07.06	66	1390	4	BKG/BLN	CL003	4			pencil
1.4 TSI	05.07 - 11.08	90	1390	4	CAXA	CL003	4			pencil
1.4 TSI	05.06 - 11.08	103	1390	4	BMV	CL003	4			pencil

model	year	kW	cm ³	cyl	engine	coil	pcs	boot	pcs	info
-------	------	----	-----------------	-----	--------	------	-----	------	-----	------

VW

Golf V (1K1)

1.4 TSI	11.05 - 11.08	125	1390	4	BLG	CL003	4			pencil
1.6	01.04 - 11.08	75	1595	4	BGU/BSF/BSE	CL002	1			
1.6 FSI	10.03 - 07.08	85	1598	4	BLF/BLP/BAG	CL003	4			pencil
2.0 FSI	01.04 - 11.08	110	1984	4	BVX/BLX/BLY/AXW/BVZ/BVY	CL011	4			pencil
2.0 FSI 4motion	08.04 - 11.08	110	1984	4	BVX/BLX	CL011	4			pencil
2.0 GTI	10.04 - 02.09	147	1984	4	BWA/AXX	CL011	4			pencil
2.0 GTI	09.06 - 12.08	169	1984	4	BYD	CL011	4			pencil
3.2 R32 4motion	11.05 - 11.08	184	3189	6	CBRA/BUB	CL016	6			pencil

Golf V Variant (1K5)

1.4	06.07 - 07.09	59	1390	4	BUD	CL003	4			pencil
1.4 TSI	06.07 - 07.09	90	1390	4	CAXA	CL003	4			pencil
1.4 TSI	06.07 - 07.09	103	1390	4	BMV	CL003	4			pencil
1.4 TSI	07.08 - 07.09	118	1390	4	CAVD	CL003	4			pencil
1.4 TSI	06.07 - 07.09	125	1390	4	BLG	CL003	4			pencil
1.6	06.07 - 07.09	75	1595	4	BGU/CCSA/BSF/BSE	CL002	1			
2.0	06.07 - 07.09	147	1984	4	BWA/CAWB/CCTA	CL011	4			pencil

Golf VI (5K1)

1.2 TSI	05.10 - 11.12	63	1197	4	CBZA	CL002	1			
1.2 TSI	05.09 - 11.12	77	1197	4	CBZB	CL002	1			
1.4	10.08 - 11.12	59	1390	4	CGGA	CL003	4			pencil
1.4 TSI	10.08 - 11.12	90	1390	4	CAXA	CL003	4			pencil
1.4 TSI	10.08 - 11.12	118	1390	4	CTKA/CAVD/CTHD/CNWA	CL003	4			pencil
1.6	10.08 - 11.12	75	1595	4	CCSA/BSF/CMXA/BSE	CL002	1			
1.6 BiFuel	03.09 - 11.12	75	1595	4	CHGA	CL002	1			
1.6 MultiFuel	10.08 - 11.12	75	1595	4	CCSA/CMXA	CL002	1			
1.8 TSI	06.09 - 01.11	118	1798	4	CDAA	CL011	4			pencil
2.0 GTi	04.09 - 11.12	155	1984	4	CCZB	CL011	4			pencil
2.0 R 4motion	11.09 - 11.13	188	1984	4	CRZA/CDLC	CL011	4			pencil
2.0 R 4motion	11.09 - 11.12	199	1984	4	CDLF	CL011	4			pencil

Golf VI Cabriolet (517)

1.2 TSI	03.11 - 11.13	77	1197	4	CBZB	CL002	1			
1.4 TSI	11.11 -	90	1390	4	CAXA	CL003	4			pencil
1.4 TSI	03.11 -	118	1390	4	CTKA/CAVD/CTHD/CNWA	CL003	4			pencil
2.0 GTI	11.11 -	155	1984	4	CCZB	CL011	4			pencil
2.0 TSI	11.13 -	162	1984	4	CULC	CL032	4			pencil

Golf VI Variant (AJ5)

1.2 TSI	07.10 - 07.13	63	1197	4	CBZA	CL002	1			
1.2 TSI	08.09 - 07.13	77	1197	4	CBZB	CL002	1			
1.4	07.09 - 07.13	59	1390	4	BUD/CGGA	CL003	4			pencil
1.4 TSI	07.09 - 07.13	90	1390	4	CAXA	CL003	4			pencil
1.4 TSI	07.09 - 07.13	118	1390	4	CTKA/CAVD/CTHD/CNWA	CL003	4			pencil
1.6	07.09 - 07.13	75	1595	4	CCSA/BSF/CMXA/BSE	CL002	1			

Golf VII (5G1, BE1)

1.0 TSI	05.15 -	85	999	3	CHZA	CL031	3			pencil
1.2 TSI	08.12 -	63	1197	4	CJZB/CYVA	CL031	4			pencil
1.2 TSI	11.12 -	77	1197	4	CJZA	CL031	4			pencil
1.2 TSI	04.14 -	81	1197	4	CYVB	CL031	4			pencil
1.4 GTE Hybrid	05.14 -	110	1395	4	CUKB	CL031	4			pencil
1.4 TGI CNG	06.13 -	81	1395	4	CPWA/CZBA	CL031	4			pencil
1.4 TSI	11.12 -	90	1395	4	CPVA/CMBA/CXSA	CL031	4			pencil
1.4 TSI	05.14 -	92	1395	4	CPVB/CZCA	CL031	4			pencil
1.4 TSI	11.12 -	103	1395	4	CHPA/CPTA	CL031	4			pencil
1.4 TSI MultiFuel	04.13 -	90	1395	4	CPVA	CL031	4			pencil
1.4 TSI MultiFuel	12.13 -	92	1395	4	CPVB	CL031	4			pencil
1.6	05.14 -	81	1598	4	CWVA	CL031	4			pencil
2.0 GTI	11.13 -	155	1984	4	CNTA/CXCA	CL032	4			pencil
2.0 GTI	04.13 -	162	1984	4	CXDA/CHHB	CL032	4			pencil
2.0 GTI	04.13 -	169	1984	4	CHHA	CL032	4			pencil
2.0 R 4motion	11.13 -	206	1984	4	CJXB	CL032	4			pencil
2.0 R 4motion	11.13 -	221	1984	4	CJXC	CL032	4			pencil

Golf VII Combi (BA5)

1.0 TSI	05.15 -	85	999	3	CHZA	CL031	3			pencil
1.2 TSI	05.13 -	63	1197	4	CJZB/CYVA	CL031	4			pencil
1.2 TSI	05.13 -	77	1197	4	CJZA	CL031	4			pencil
1.2 TSI	04.14 -	81	1197	4	CYVB	CL031	4			pencil
1.4 TGI CNG	09.13 -	110	1395	4	CPWA	CL031	4			pencil
1.4 TSI	05.13 -	90	1395	4	CPVA/CXSA	CL031	4			pencil
1.4 TSI	05.14 -	92	1395	4	CPVB/CZCA	CL031	4			pencil
1.4 TSI	05.13 -	103	1395	4	CHPA	CL031	4			pencil
1.4 TSI	05.14 -	110	1395	4	CHPB/CZDA	CL031	4			pencil
1.4 TSI MultiFuel	04.13 -	90	1395	4	CPVA	CL031	4			pencil

model	year	kW	cm ³	cyl	engine	coil	pcs	boot	pcs	info
VW										
Golf VII Combi (BA5)										
1.4 TSI MultiFuel	05.14 -	92	1395	4	CPVB	CL031	4			pencil
1.6	05.14 -	81	1598	4	CWVA	CL031	4			pencil
2.0 R4motion	03.15 -	206	1984	4	CJXB	CL032	4			pencil
2.0 R4motion	03.15 -	221	1984	4	CJXC	CL032	4			pencil
Golf Alltrack (BA5)										
1.8 TSI 4motion	12.14 -	132	1798	4	CJSB	CL032	4			pencil
Golf Plus (5M1, 521)										
1.2 TSI	11.09 - 12.13	77	1197	4	CBZB	CL002	1			
1.4 16V	01.05 - 11.06	55	1390	4	BCA	CL003	4			pencil
1.4 16V	05.06 - 12.13	59	1390	4	BUD/CGGA	CL003	4			pencil
1.4 FSI	07.05 - 11.06	66	1390	4	BLN	CL003	4			pencil
1.4 TSI	06.07 - 12.13	90	1390	4	CAXA	CL003	4			pencil
1.4 TSI	05.06 - 06.08	103	1390	4	BMV	CL003	4			pencil
1.4 TSI	06.08 - 12.13	118	1390	4	CAVD/CNWA	CL003	4			pencil
1.4 TSI	05.06 - 06.08	125	1390	4	BLG	CL003	4			pencil
1.6	05.05 - 12.13	75	1595	4	CCSA/BSF/CMXA/BSE	CL002	1			
1.6 BiFuel	05.09 - 12.13	75	1595	4	CHGA	CL002	1			
1.6 FSI	01.05 - 05.08	85	1598	4	BLF	CL003	4			pencil
1.6 MultiFuel	11.07 - 12.13	75	1595	4	CCSA/CMXA	CL002	1			
2.0 FSI	05.05 - 06.08	110	1984	4	BLY/BLR/BVZ/BVY	CL011	4			pencil
Golf Sportsvan (AM1)										
1.0 TSI	05.15 -	85	999	3	CHZA	CL031	3			pencil
1.2 TSI	05.14 -	63	1197	4	CYVA	CL031	4			pencil
1.2 TSI	04.14 -	81	1197	4	CYVB	CL031	4			pencil
1.4 TSI	04.14 -	92	1395	4	CPVB/CZCA	CL031	4			pencil
1.4 TSI	02.14 -	110	1395	4	CZDA	CL031	4			pencil
1.4 TSI MultiFuel	04.14 -	92	1395	4	CPVB	CL031	4			pencil
1.6	05.14 -	81	1598	4	CWVA	CL031	4			pencil
Jetta II (19E, 1G2, 165)										
1.3 cat	06.87 - 12.91	40	1272	4	NZ/2G	CL018	1			
1.8	08.86 - 01.90	62	1781	4	RH	CL018	1			
1.8	08.84 - 10.91	66	1781	4	GX/GU/HV	CL018	1			
1.8	08.85 - 10.87	79	1781	4	RD	CL018	1			
1.8 16V	08.86 - 10.91	95	1781	4	PL	CL018	1			
Jetta III (1K2)										
1.4 TSI	05.07 - 10.10	90	1390	4	CAXA	CL003	4			pencil
1.4 TSI	07.06 - 10.10	103	1390	4	BMV	CL003	4			pencil
1.4 TSI	07.08 - 10.10	118	1390	4	CAVD	CL003	4			pencil
1.4 TSI	07.06 - 10.10	125	1390	4	BLG	CL003	4			pencil
1.6	10.05 - 10.10	75	1595	4	BSF/BSE	CL002	1			
1.6 FSI	09.05 - 10.10	85	1598	4	BLF	CL003	4			pencil
1.6 MultiFuel	01.08 - 10.10	75	1595	4	CCSA	CL002	1			
2.0 FSI	08.05 - 10.10	110	1984	4	BLX/BLY/BLR/BVZ/BVY	CL011	4			pencil
2.0 TFSI	03.08 - 10.10	125	1984	4	CAWA	CL011	4			pencil
2.0 TFSI	10.05 - 10.10	147	1984	4	BWA/BPY/AXX/CBFA/CCZA	CL011	4			pencil
2.5 FSI	01.06 - 10.10	110	2480	5	BTK/BGP	CL011	5			pencil
2.5 FSI	07.08 - 10.10	125	2480	5	CCCA/CBUA/CBTA	CL011	5			pencil
Jetta IV (162, 163)										
1.2 TSI	02.11 -	77	1197	4	CBZB	CL002	1			
1.4 TSI	05.11 -	90	1390	4	CMSB/CAXA	CL003	4			pencil
1.4 TSI	08.14 -	92	1395	4	CZCA	CL031	4			pencil
1.4 TSI	04.11 - 07.14	110	1390	4	CTHA/CAVA	CL003	4			pencil
1.4 TSI	08.14 -	110	1395	4	CZDA	CL031	4			pencil
1.4 TSI	04.11 -	118	1390	4	CAVD/CTHD	CL003	4			pencil
1.4 TSI Hybrid	04.11 -	110	1395	4	CNLA/CRJA	CL031	4			pencil
1.6	12.11 -	77	1598	4	CFNA/CLRA	CL003	4			pencil
1.6	03.13 -	63	1598	4	CFNB	CL003	4			pencil
1.8 TSI	07.14 -	125	1798	4	CPKA/CPRA	CL032	4			pencil
2.0	06.10 -	85	1984	4	CKJA/CBPA	CL002	1			
2.0 TSI	12.10 -	147	1984	4	CBFA/CCZA/CCTA	CL011	4			pencil
2.0 TSI	12.12 -	155	1984	4	CPPA/CPLA	CL032	4			pencil
2.5 FSI	04.10 -	125	2480	5	CCCA/CBUA/CBTA	CL011	5			pencil
LT 28-35 I Bus (281-363)										
2.4 i	08.89 - 06.96	69	2383	6	1E	CL018	1			
LT 28-35 I Flatbed (281-363)										
2.4 i	03.94 - 06.96	69	2383	6	1E	CL018	1			
LT 28-35 I Van (281-363)										
2.4 i	03.94 - 06.96	69	2383	6	1E	CL018	1			
LT 28-35 II Bus (2DB, 2DE, 2DK)										
2.3	05.96 - 07.06	105	2295	4	AGL	CL604	2	CP004	2	semidirect / pencil

model	year	kW	cm ³	cyl	engine	coil	pcs	boot	pcs	info
VW										
LT 28-46 II Flatbed (2DC, 2DF, 2DG, 2DL, 2DM)										
2.3	06.96 - 07.06	105	2295	4	AGL	CL604	2	CP004	2	semidirect / pencil
LT 28-46 II Van (2DA, 2DD, 2DH)										
2.3	05.96 - 07.06	105	2295	4	AGL	CL604	2	CP004	2	semidirect / pencil
LT 40-55 I Flatbed (293-909)										
2.4 i	03.94 - 06.96	69	2383	6	1E	CL018	1			
LT 40-55 I Van (291-512)										
2.4 i	01.93 - 06.96	69	2383	6	1E	CL018	1			
Lupo (6X1, 6E1)										
1.0	09.98 - 07.05	37	999	4	AER/ALL	CL001	1			engine code / with distributor
				4	ALD/ANV/AUC	CL002	1			engine code
1.0	10.98 - 05.00	37	997	4	AHT	CL007	1			rail coil
1.4	10.00 - 07.05	44	1390	4	AUD	CL002	1			
1.4 16V	09.98 - 07.05	55	1390	4	AHW/APE/AKQ/AUA	CL002	1			coil 4xPIN / engine code
				4	BBY	CL003	4			pencil / engine code
1.4 16V	08.99 - 07.05	74	1390	4	AFK/AUB/AQQ	CL002	1			
1.4 FSI	02.01 - 07.05	77	1390	4	ARR	CL003	4			pencil
1.6 GTI	09.00 - 07.05	92	1598	4	AVY	CL002	1			
Multivan V (7HM, 7HN, 7HF, 7EF, 7EM, 7EN)										
2.0	11.03 -	85	1984	4	AXA	CL002	1			
3.2 V6	02.04 - 06.04	170	3189	6	BDL	CL016	6			pencil
3.2 V6	02.04 - 11.09	173	3189	6	BKK/CFLA	CL016	6			pencil
3.2 V6 4motion	07.04 - 11.09	173	3189	6	BKK/CFLA	CL016	6			pencil
Multivan T6 (SGF, SGM, SGN)										
2.0 TSI	04.15 - -	110	1984	4	CJKB	CL011	4			pencil
2.0 TSI	04.15 - -	150	1984	4	CJKB	CL011	4			pencil
2.0 TSI 4motion	06.15 - -	150	1984	4	CJKA	CL011	4			pencil
New Beetle (9C1, 1C1)										
1.4	11.01 - 09.10	55	1390	4	BCA	CL003	4			pencil
1.6	10.99 - 09.00	74	1595	4	AWH	CL002	1			
1.6	06.00 - 09.10	75	1595	4	AYD/BFS	CL002	1			
1.8 T	10.99 - 09.10	110	1781	4	AWW//APH/AVC/AWU	CL005	4			pencil
2.0	01.98 - 09.10	85	1984	4	AVH	CL002	1			engine code
				4	AZG	CL010	1			engine code
2.3 V5	10.00 - 09.10	125	2324	5	AQN	CL023	5			pencil
2.5	07.05 - 09.10	110	2480	5	BPS/BPR	CL011	5			pencil
3.2 RSI 4motion	04.00 - 05.01	165	3188	6	AXJ	CL030	1			
New Beetle Cabriolet (1Y7)										
1.4	01.03 - 09.10	55	1390	4	BCA	CL003	4			pencil
1.6	01.03 - 09.10	75	1595	4	BFS	CL002	1			
1.8 T	01.03 - 09.10	110	1781	4	AWU	CL005	4			pencil
2.0	09.02 - 10.10	85	1984	4	AZJ	CL010	1			
2.5	07.05 - 09.10	110	2480	5	BPS/BPR	CL011	5			pencil
Passat (32B)										
1.6	08.80 - 03.88	55	1595	4	DT	CL018	1			
Passat (3A2, 35I)										
1.6	02.88 - 12.88	55	1595	4	ABN/EZ	CL018	1			
1.6	10.94 - 08.96	74	1595	4	AEK/AFT	CL001	1			
1.8	08.90 - 08.96	55	1781	4	AAM	CL001	1			
1.8	02.88 - 08.96	66	1781	4	RP/ADZ	CL001	1			
1.8	04.88 - 07.93	79	1781	4	PF	CL018	1			
1.8	04.88 - 07.92	82	1781	4	PB	CL018	1			
1.8 16V	04.88 - 12.89	100	1781	4	KR	CL018	1			
1.8 G60 Syncro	08.88 - 08.96	118	1781	4	PG	CL018	1			
2.0	03.95 - 08.96	79	1984	4	AEP	CL001	1			
2.0	02.90 - 08.96	85	1984	4	2E	CL001	1			coil socket with 3 pins
						CL019	1			coil socket with 6 pins
2.0 Syncro	10.90 - 08.96	85	1984	4	2E	CL001	1			coil socket with 3 pins
						CL019	1			coil socket with 6 pins
2.0 16V	01.94 - 08.96	110	1984	4	ABF	CL019	1			
2.8 VR6	06.91 - 08.96	128	2792	6	AAA	CL001	1			with distributor
						CL021	1			without distributor
Passat (3B2)										
1.6	10.96 - 11.00	74	1595	4	ADP	CL001	1			engine code / with distributor
				4	AHL/ARM/ANA	CL002	1			engine code
1.8	10.96 - 11.00	92	1781	4	ADR/APT/ARG	CL028	1			semidirect / pencil / twin coil
1.8 Syncro/4motion	10.96 - 11.00	92	1781	4	ADR/APT/ARG	CL028	1			semidirect / pencil / twin coil
1.8 T	10.96 - 11.00	110	1781	4	AEB/ANB/APU	CL004	4	CP001	4	pencil
2.3 VR5	10.96 - 08.97	110	2324	5	AGZ	CL020	1			
2.3 VR5 Syncro/4motion	10.97 - 11.00	110	2324	5	AGZ	CL020	1			
2.8 Syncro	05.97 - 09.99	132	2771	6	AGE	CL006	1			
2.8 V6	05.97 - 09.99	132	2771	6	AGE	CL006	1			



model	year	kW	cm ³	cyl	engine	coil	pcs	boot	pcs	info
VW										
Passat (3B2)										
2.8V6	09.99 - 11.00	140	2771	6	BBG	CL006	1			
2.8V6	08.96 - 11.00	142	2771	6	APR/ACK/AHA/AQD	CL006	1			
2.8V6 Syncro/4motion	10.96 - 11.00	142	2771	6	APR/ACK/ALG/AHA/AQD	CL006	1			
Passat (3B3)										
1.6	11.00 - 05.05	75	1595	4	ALZ	CL002	1			
1.8T 20V	11.00 - 05.05	110	1781	4	AWT/AWL	CL005	4			pencil
2.0	11.00 - 05.05	85	1984	4	AZM	CL002	1			
2.0	11.01 - 05.05	96	1984	4	ALT	CL005	4			pencil
2.0 4motion	11.00 - 05.05	85	1984	4	AZM	CL002	1			
2.3 V5	11.00 - 05.05	125	2324	5	AZX	CL024	5			pencil
2.3 V5 4motion	11.00 - 05.05	125	2324	5	AZX	CL024	5			pencil
2.8	05.02 - 05.03	142	2771	6	ATQ/AMX	CL006	1			
2.8 4motion	11.00 - 05.05	142	2771	6	ATQ/AMX	CL006	1			
4.0 W8 4motion	09.01 - 09.04	202	3999	8	BDP/BDN	CL022	8			pencil
Passat (3C2)										
1.6	05.05 - 07.10	75	1595	4	BSF/BSE	CL002	1			
1.4 TSI	05.07 - 07.10	90	1390	4	CAXA	CL003	4			pencil
1.4 TSI EcoFuel	01.09 - 07.10	110	1390	4	CDGA	CL003	4			pencil
1.6 FSI	03.05 - 06.08	85	1598	4	BLF	CL003	4			pencil
1.8 TSI	05.07 - 07.10	118	1798	4	BZB/CDA	CL011	4			pencil
2.0 FSI	03.05 - 07.10	110	1984	4	BLY/BLR/BVZ/BVY	CL011	4			pencil
2.0 FSI	07.05 - 07.10	147	1984	4	BWA/BPY/AXX/CBFA/CAWB	CL011	4			pencil
2.0 FSI 4motion	09.05 - 07.10	110	1984	4	BVX/BLX/BLY	CL011	4			pencil
3.2 FSI 4motion	11.05 - 07.10	184	3168	6	AXZ	CL016	6			pencil
Passat (362)										
1.4 TSI	08.10 - 12.14	90	1390	4	CAXA	CL003	4			pencil
1.4 TSI	11.12 - 12.14	118	1390	4	CTHD	CL003	4			pencil
1.4 TSI EcoFuel	08.10 - 12.14	110	1390	4	CDGA	CL003	4			pencil
1.4 TSI MultiFuel	11.10 - 12.14	118	1390	4	CKMA	CL003	4			pencil
1.8 TSI	08.10 - 12.14	118	1798	4	CDA	CL011	4			pencil
2.0 TSI	11.10 - 12.14	155	1984	4	CCZB	CL011	4			pencil
Passat (3G2)										
1.4 GTE Hybrid	06.15 -	115	1395	4	CUKC	CL031	4			pencil
1.4 TSI	11.14 -	92	1395	4	CZCA	CL031	4			pencil
1.4 TSI	11.14 -	110	1395	4	CZEA	CL031	4			pencil
1.4 TSI 4motion	02.15 -	110	1395	4	CZEA	CL031	4			pencil
1.8 TSI	02.15 -	132	1798	4	CJSA/CJSC	CL032	4			pencil
2.0 TSI	05.15 -	162	1984	4	CHHB	CL032	4			pencil
2.0 TSI 4motion	05.15 -	206	1984	4	CJXA	CL032	4			pencil
Passat Alltrack (365)										
1.8 TSI	01.12 -	112	1798	4	CDAB	CL011	4			pencil
1.8 TSI	01.12 -	118	1798	4	CDA	CL011	4			pencil
2.0 TSI 4motion	01.12 -	155	1984	4	CCZB	CL011	4			pencil
Passat Alltrack (3G5)										
2.0 TSI 4motion	07.15 -	162	1984	4	CHHB	CL032	4			pencil
Passat CC (357)										
1.8 TSI	06.08 - 11.10	118	1798	4	BZB/CDA	CL011	4			pencil
2.0 TSI	06.08 - 01.12	147	1984	4	CBFA/CCZA/CAWB/CCTA	CL011	4			pencil
Passat Sedan (32B)										
1.6	01.85 - 03.88	55	1595	4	DT	CL018	1			
1.8	01.85 - 03.88	66	1781	4	DS/JN	CL018	1			
Passat Variant (32B)										
1.6	01.85 - 03.88	55	1588	4	WV/YN	CL018	1			
1.8 Syncro	01.86 - 03.88	66	1781	4	DS/JN	CL018	1			
2.0 Syncro	05.84 - 03.88	85	1994	5	JS	CL018	1			
Passat Variant (3A5, 35I)										
1.6	04.88 - 12.88	55	1595	4	EZ	CL018	1			
1.6	07.94 - 12.95	74	1595	4	AFT	CL001	1			
1.8	08.90 - 05.97	55	1781	4	AAM	CL001	1			
1.8	02.88 - 05.97	66	1781	4	RP/ADZ	CL001	1			
1.8	04.88 - 07.92	82	1781	4	PB	CL018	1			
1.8 16V	04.88 - 12.89	100	1781	4	KR	CL018	1			
1.8 G60 Syncro	08.88 - 05.97	118	1781	4	PG	CL018	1			
2.0	03.95 - 08.96	79	1984	4	AEP	CL001	1			
2.0	02.90 - 05.97	85	1984	4	2E	CL001	1			coil socket with 3 pins
						CL019	1			coil socket with 6 pins
2.0 Syncro	10.90 - 05.97	85	1984	4	2E	CL001	1			coil socket with 3 pins
						CL019	1			coil socket with 6 pins
2.0 16V	01.94 - 05.97	110	1984	4	ABF	CL019	1			
2.8 VR6	06.91 - 05.97	128	2792	6	AAA	CL001	1			with distributor
						CL021	1			without distributor

model	year	kW	cm ³	cyl	engine	coil	pcs	boot	pcs	info
-------	------	----	-----------------	-----	--------	------	-----	------	-----	------

VW

Passat Variant (3A5, 35I)

2.9 VR6 Syncro	01.94 - 05.97	135	2861	6	ABV	CL001	1			with distributor
						CL021	1			without distributor

Passat Variant (3B5)

1.6	06.97 - 11.00	74	1595	4	ADP	CL001	1			engine code / with distributor
				4	AHL/ARM/ANA	CL002	1			engine code
1.8	06.97 - 11.00	92	1781	4	ADR/APT/ARG	CL028	1			semidirect / pencil / twin coil
1.8 Syncro/4motion	06.97 - 11.00	92	1781	4	ADR/APT/ARG	CL028	1			semidirect / pencil / twin coil
1.8 T	06.97 - 11.00	110	1781	4	AEB/ANB/APU	CL004	4	CP001	4	pencil
2.3 VR5	06.97 - 11.00	110	2324	5	AGZ	CL020	1			
2.3 VR5 Syncro/4motion	10.97 - 11.00	110	2324	5	AGZ	CL020	1			
2.8 Syncro	05.97 - 09.99	132	2771	6	AGE	CL006	1			
2.8 V6	09.97 - 09.99	132	2771	6	AGE	CL006	1			
2.8 V6	06.97 - 11.00	142	2771	6	APR/ACK/AHA/AQD	CL006	1			
2.8 V6 Syncro/4motion	06.97 - 11.00	142	2771	6	APR/ACK/ALG/AHA/AQD	CL006	1			

Passat Variant (3B6)

1.6	11.00 - 05.05	75	1595	4	ALZ	CL002	1			
1.8 T 20V	11.00 - 05.05	110	1781	4	AWT	CL005	4			pencil
2.0	11.00 - 05.05	85	1984	4	AZM	CL002	1			
2.0	11.01 - 05.05	96	1984	4	ALT	CL005	4			pencil
2.0 4motion	11.00 - 05.05	85	1984	4	AZM	CL002	1			
2.3 VR5	11.00 - 05.05	125	2324	5	AZX	CL024	5			pencil
2.3 VR5 4motion	11.00 - 05.05	125	2324	5	AZX	CL024	5			pencil
2.8 4motion	11.00 - 05.05	142	2771	6	ATQ/AMX	CL006	1			
4.0 W8 4motion	09.01 - 09.04	202	3999	8	BDP/BDN	CL022	8			pencil

Passat Variant (3C5)

1.4 TSI	05.07 - 11.10	90	1390	4	CAXA	CL003	4			pencil
1.4 TSI EcoFuel	01.09 - 11.10	110	1390	4	CDGA	CL003	4			pencil
1.6	08.05 - 11.10	75	1595	4	BSF/BSE	CL002	1			
1.6 FSI	08.05 - 06.08	85	1598	4	BLF	CL003	4			pencil
1.8 TSI	05.07 - 10.11	118	1798	4	BZB/CDAA	CL011	4			pencil
2.0 FSI	08.05 - 11.10	110	1984	4	BLY/BLR/BVZ/BVY	CL011	4			pencil
2.0 FSI	08.05 - 11.10	147	1984	4	BWA/BPY/AXX/CBFA/CAWB	CL011	4			pencil
2.0 FSI 4motion	09.05 - 11.10	110	1984	4	BVX/BLX/BLY	CL011	4			pencil
3.6 R36 4motion	04.07 - 11.10	220	3597	6	BWS	CL016	6			pencil

Passat Variant (365)

1.4 TSI	08.10 - 12.14	90	1390	4	CAXA	CL003	4			pencil
1.4 TSI	11.12 - 12.14	118	1390	4	CTHD	CL003	4			pencil
1.4 TSI EcoFuel	08.10 - 12.14	110	1390	4	CDGA	CL003	4			pencil
1.4 TSI MultiFuel	11.10 - 12.14	118	1390	4	CKMA	CL003	4			pencil
1.8 TSI	08.10 - 12.14	118	1798	4	CDAA	CL011	4			pencil
2.0 TSI	11.10 - 12.14	155	1984	4	CCZB	CL011	4			pencil

Passat Variant (3G5)

1.4 GTE Hybrid	06.15 -	115	1395	4	CUKC	CL031	4			pencil
1.4 TSI	11.14 -	92	1395	4	CZCA	CL031	4			pencil
1.4 TSI	11.14 -	110	1395	4	CZEA	CL031	4			pencil
1.4 TSI 4motion	02.15 -	110	1395	4	CZEA	CL031	4			pencil
1.8 TSI	02.15 -	132	1798	4	CJSA/CJSC	CL032	4			pencil
2.0 TSI	05.15 -	162	1984	4	CHHB	CL032	4			pencil
2.0 TSI 4motion	05.15 -	206	1984	4	CJXA	CL032	4			pencil

Phaeton (3D_)

3.2 V6	04.02 -	177	3189	6	AYT/BKL	CL016	6			pencil
3.2 V6 4motion	02.04 -	177	3189	6	BRK/BKL	CL016	6			pencil
4.2 V8 4motion	05.03 -	246	4172	8	BGJ/BGH	CL017	8			pencil
6.0 W12 4motion	04.02 -	309	5998	12	BAN	CL022	12			pencil
6.0 W12 4motion	05.05 -	331	5998	12	BTT/BRN	CL022	12			pencil

Polo (86C, 80)

1.0	08.85 - 01.92	33	1043	4	HZ	CL001	1			coil socket with 3 pins
						CL019	1			coil socket with 6 pins
1.0 cat	08.89 - 09.94	33	1043	4	AAU/ACM	CL001	1			
1.3	06.84 - 09.89	55	1272	4	GK	CL018	1			
1.3 cat	07.87 - 10.90	40	1272	4	NZ/2G	CL018	1			year
	10.90 - 09.94	40	1272	4	NZ/2G	CL001	1			year / coil socket with 3 pins
	10.90 - 09.94	40	1272	4	NZ/2G	CL019	1			year / coil socket with 6 pins
1.3 cat	10.89 - 11.90	55	1272	4	3F	CL001	1			

Polo (6N1)

45 1.0	10.94 - 09.96	33	1043	4	AEV	CL001	1			
50 1.0	09.96 - 10.99	37	999	4	AER/ALL	CL001	1			
55 1.3	10.94 - 07.95	40	1296	4	ADX	CL001	1			
55 1.4	08.95 - 10.99	40	1390	4	AEX	CL001	1			
60 1.4	07.95 - 10.99	44	1390	4	AEX/AKV	CL001	1			
75 1.6	10.94 - 10.99	55	1598	4	AEA/AEE	CL001	1			

model	year	kW	cm ³	cyl	engine	coil	pcs	boot	pcs	info
VW										
Polo (6N1)										
100 1.4 16V	04.96 - 10.99	74	1390	4	AFH	CL001	1			
120 1.6 16V GTI	09.98 - 10.99	88	1598	4	AJV	CL002	1			
Polo (6N2)										
1.0	10.99 - 09.01	37	999	4	ALD/AUC	CL002	1			
1.4	10.99 - 09.01	40	1390	4	ANX/AKP	CL002	1			
1.4	10.99 - 09.01	44	1390	4	AUD	CL002	1			
1.4 16V	10.99 - 09.01	55	1390	4	AHW/APE/AUA	CL002	1			
1.4 16V	10.99 - 09.01	74	1390	4	AFK/AUB/AQQ	CL002	1			
1.6 16V GTI	10.99 - 09.01	92	1598	4	AVY	CL002	1			
Polo (9N_)										
1.2	01.02 - 05.07	40	1198	3	AWY/BMD	CL009	3			pencil
1.2	05.07 - 11.09	44	1198	3	BBM	CL009	3			pencil
1.2 12V	10.01 - 07.07	47	1198	3	AZQ/BME	CL003	3			pencil
1.2 12V	05.07 - 11.09	51	1198	3	BZG	CL003	3			pencil
1.4	06.05 - 11.09	63	1390	4		CL003	4			pencil
1.4 16V	10.01 - 05.08	55	1390	4	AUA	CL002	1			coil 4xPIN / engine code
					BBY/BKY	CL003	4			pencil / engine code
1.4 16V	05.06 - 11.09	59	1390	4	BUD	CL003	4			pencil
1.4 16V	10.01 - 05.08	74	1390	4	AUB	CL002	1			coil 4xPIN / engine code
					BBZ	CL003	4			pencil / engine code
1.4 FSI	02.02 - 07.06	63	1390	4	AXU	CL003	4			pencil
1.6	08.02 - 05.05	74	1598	4	BAH	CL002	1			
1.6 16V	05.06 - 11.09	77	1598	4	BTS	CL003	4			pencil
1.8 GTI	09.05 - 11.09	110	1781	4	BJX	CL005	4			pencil
1.8 GTI Cup Edition	05.06 - 11.09	132	1781	4	BBU	CL005	4			pencil
Polo (6R, 6C)										
1.0 TSI	11.14 -	70	999	3	CHZB	CL031	3			pencil
1.0 TSI	11.14 -	81	999	3	CHZC	CL031	3			pencil
1.2	06.09 -	44	1198	3	CGPB	CL003	3			pencil
1.2	06.09 -	51	1198	3	CGPA	CL003	3			pencil
1.2 TSI	05.11 - 05.14	66	1197	4	CBZC	CL002	1			
1.2 TSI 16V	07.14 -	66	1197	4	CJZC	CL031	4			pencil
1.2 TSI	11.09 -	77	1197	4	CBZB	CL002	1			
1.4	06.09 -	63	1390	4	CGGB/CLPA/CDDA	CL003	4			pencil
1.4 BiFuel	03.10 - 01.11	60	1390	4	CMAA	CL003	4			pencil
1.4 GTI	05.10 -	132	1390	4	CAVE/CTHE	CL003	4			pencil
1.4 TSI	10.12 -	103	1395	4	CPTA	CL031	4			pencil
1.6	07.14 -	81	1598	4	CWVA	CL031	4			pencil
1.6 BiFuel	01.11 -	60	1598	4	CNKA	CL003	4			pencil
1.8 GTI	11.14 -	141	1798	4	DAJA/DAJB	CL032	4			pencil
2.0 R WRC	08.13 -	162	1984	4	CDLJ	CL011	4			pencil
Polo Classic (86C, 80)										
1.0	08.86 - 09.94	33	1043	4	AAU/HZ/AAK	CL001	1			coil socket with 3 pins
						CL019	1			coil socket with 6 pins
1.3	08.85 - 07.87	40	1272	4	MH/HK	CL001	1			
1.3 cat	07.87 - 09.94	40	1272	4	NZ/MH	CL001	1			coil socket with 3 pins
						CL019	1			coil socket with 6 pins
Polo Classic (6KV2)										
1.0	08.96 - 12.01	37	999	4	AER	CL001	1			
60 1.4	12.95 - 09.01	44	1390	4	AEX/AKV	CL001	1			engine code / with distributor
					AKK/AUD	CL002	1			engine code
75 1.4 16V	10.99 - 09.01	55	1390	4	APE/AUA	CL002	1			
75 1.6	11.95 - 09.01	55	1598	4	ALM/AEE	CL001	1			
75 1.6	11.95 - 09.97	55	1595	4	1F	CL001	1			
90 1.8	01.97 - 09.01	66	1781	4	ADZ/ADD/ABS	CL001	1			
100 1.6	12.95 - 09.01	74	1595	4	AFT	CL001	1			engine code
					AKL/AEH	CL002	1			engine code
Polo Coupe (86C, 80)										
1.0	08.85 - 01.92	33	1043	4	HZ	CL001	1			coil socket with 3 pins
						CL019	1			coil socket with 6 pins
1.0 cat	08.89 - 09.94	33	1043	4	AAU/AAK/ACM	CL001	1			coil socket with 3 pins
						CL019	1			coil socket with 6 pins
1.3	03.91 - 09.94	57	1272	4	3F	CL001	1			
1.3 cat	07.87 - 08.94	40	1272	4	NZ/2G/MH/AAV	CL001	1			coil socket with 3 pins
						CL019	1			coil socket with 6 pins
1.3 cat	10.89 - 11.90	55	1272	4	3F	CL001	1			
1.3 G40	08.90 - 09.94	83	1272	4	PY	CL001	1			
Polo Sedan (9A4)										
1.0	08.96 - 12.01	37	999	4	AER	CL001	1			
1.4	07.03 -	55	1390	4	BBY/BKY	CL003	4			pencil
1.4	11.03 -	74	1390	4	BBZ	CL003	4			pencil

model	year	kW	cm ³	cyl	engine	coil	pcs	boot	pcs	info
VW										
◀ Polo Sedan (9A4)										
1.6	09.02 -	74	1598	4	BPA/CFZA/BAH	CL002	1			
Polo Sedan										
1.6	11.10 -	63	1598	4	CFNB	CL003	4			pencil
1.6	05.10 -	77	1598	4	CFNA/CLSA	CL003	4			pencil
Polo Van (86CF)										
1.0	08.92 - 07.94	33	1043	4	AAU	CL001	1			
1.3	08.92 - 07.94	40	1272	4	AAV	CL019	1			
Polo Van (6NF)										
1.0	10.94 - 12.99	33	1043	4	AEV	CL001	1			
1.4	05.98 - 12.99	44	1390	4	AEX	CL001	1			
Polo Variant (6KV5)										
1.4	12.98 - 09.01	40	1390	4	AKP	CL002	1			
1.4	05.97 - 09.01	44	1390	4	AEX/AKV	CL001	1			engine code / with distributor
					AKK/AUD	CL002	1		engine code	
1.4 16V	10.99 - 09.01	55	1390	4	APE/AUA	CL002	1			
1.6	05.97 - 09.01	55	1598	4	ALM/AEE	CL001	1			
1.6	05.97 - 09.01	74	1595	4	AFT	CL001	1			engine code / with distributor
					AKL/AEH	CL002	1		engine code	
1.8	05.97 - 09.01	66	1781	4	ADZ	CL001	1			
Scirocco (53B)										
1.6	01.83 - 12.89	55	1595	4	EW	CL018	1			
Scirocco (137, 138)										
1.4 TSI	08.08 -	90	1390	4	CMSB/CAXA	CL003	4			pencil
1.4 TSI	11.13 -	92	1395	4	CXSB/CZCA	CL031	4			pencil
1.4 TSI	05.08 -	118	1390	4	CTKA/CAVD/CTHD/CNWA	CL003	4			pencil
2.0 R	11.09 -	188	1984	4	CDLC	CL011	4			pencil
2.0 R	11.09 -	195	1984	4	CDLA	CL011	4			pencil
2.0 R	05.14 -	206	1984	4	CDLK	CL011	4			pencil
2.0 TSI	11.13 -	132	1984	4	CULA	CL032	4			pencil
2.0 TSI	05.08 - 11.09	147	1984	4	CAWB	CL011	4			pencil
2.0 TSI	11.09 -	155	1984	4	CCZB	CL011	4			pencil
2.0 TSI	11.13 -	162	1984	4	CULC	CL032	4			pencil
Sharan (7M8, 7M9, 7M6)										
1.8 T 20V	09.97 - 03.10	110	1781	4	AJH	CL004	4	CP001	4	pencil / engine code
	04.00 - 03.10	110	1781	4	AWC	CL014	4			year / pencil / engine code
2.0	09.95 - 03.10	85	1984	4	ADY	CL001	1			with distributor
						CL002	1		without distributor	
2.0 LPG	04.06 - 03.10	85	1984	4	ATM	CL002	1			
2.8 V6 24V	04.00 - 03.10	150	2792	6	AYL	CL023	6			pencil
2.8 V6 24V 4motion	04.00 - 03.10	150	2792	6	AYL	CL023	6			pencil
2.8 VR6	09.95 - 04.00	128	2792	6	AAA	CL021	1			
2.8 VR6 Syncro	11.96 - 04.00	128	2792	6	AAA	CL021	1			
Sharan (7N1, 7N2)										
1.4 TSI	05.10 -	110	1390	4	CTHA/CNWB/CAVA	CL003	4			pencil
1.4 TSI	05.15 -	110	1395	4	CZDA	CL031	4			pencil
2.0 TSI	12.10 -	147	1984	4	CCZA	CL011	4			pencil
2.0 TSI	05.15 -	162	1984	4	DEDA	CL032	4			pencil
Taro										
2.4 i 4x4	06.89 - 03.97	84	2366	4	22R	CL578	1			
Tiguan (5N_)										
1.4 TSI	08.10 -	90	1390	4	CAXA	CL003	4			pencil
1.4 TSI	05.15 -	92	1395	4	CZDB	CL031	4			pencil
1.4 TSI	05.08 -	110	1390	4	BWK/CTHA/CAVA	CL003	4			pencil
1.4 TSI	05.11 -	118	1390	4	CAVD/CTHD	CL003	4			pencil
1.4 TSI 4motion	09.07 -	110	1390	4	BWK/CTHA/CAVA	CL003	4			pencil
1.4 TSI 4motion	05.11 -	118	1390	4	CAVD/CTHD	CL003	4			pencil
2.0 TFSI 4motion	09.07 -	125	1984	4	CAWA/CCZC	CL011	4			pencil
2.0 TFSI 4motion	09.07 -	147	1984	4	CCZA/CAWB/CCTA	CL011	4			pencil
2.0 TSI 4motion	05.11 -	132	1984	4	CCZD	CL011	4			pencil
2.0 TSI 4motion	05.11 -	155	1984	4	CCZB	CL011	4			pencil
Touareg (7LA, 7L6, 7L7)										
3.2 V6	10.02 - 11.06	162	3189	6	AZZ/BMV/BKJ/BAA/BMX/BRJ	CL016	6			pencil
3.2 V6	11.04 - 11.06	177	3189	6	BMV	CL016	6			pencil
3.6 V6 FSI	10.05 - 05.10	206	3597	6	BHL/BHK	CL016	6			pencil
4.2 V8	12.02 - 11.06	228	4172	8	AXQ/BHX	CL017	8			pencil
6.0 W12	08.04 - 05.10	331	5998	12	CFRA/BJN	CL022	12			pencil
Touareg (7P5)										
3.0 V6 TSI Hybrid	04.10 -	245	2995	6	CGFA/CGEA	CL015	6			pencil
4.2 V8 FSI	01.11 -	265	4163	8	CGNA	CL015	8			pencil
Touran (1T1, 1T2)										
1.4 FSI	11.06 - 05.10	125	1390	4	BLG/CAVB	CL003	4			pencil

model	year	kW	cm ³	cyl	engine	coil	pcs	boot	pcs	info
-------	------	----	-----------------	-----	--------	------	-----	------	-----	------

VW

Touran (1T1, 1T2)

1.4 TSI	02.06 - 05.10	103	1390	4	BMV	CL003	4			pencil
1.4 TSI EcoFuel	05.09 - 05.10	110	1390	4	CDGA	CL003	4			pencil
1.6	07.03 - 05.10	75	1595	4	BGU/BSF/BSE	CL002	1			
1.6 FSI	02.03 - 01.07	85	1598	4	BLF/BLP/BAG	CL003	4			pencil
2.0 EcoFuel	02.06 - 05.09	80	1984	4	BSX	CL010	1			
2.0 FSI	10.03 - 11.05	110	1984	4	BLX/BLY/BLR/AXW/BVZ/BVY	CL011	4			pencil

Touran (1T3)

1.2 TSI	05.10 -	77	1197	4	CBZB	CL002	1			
1.4 TSI	05.10 -	103	1390	4	CTHC/CAVC	CL003	4			pencil
1.4 TSI	05.10 -	125	1390	4	CTHB/CAVB	CL003	4			pencil
1.4 TSI EcoFuel	05.10 -	110	1390	4	CDGA	CL003	4			pencil

Touran

1.2 TSI	09.15 -	81	1197	4	CYVB	CL031	4			pencil
1.4 TSI	09.15 -	110	1395	4	CZDA	CL031	4			pencil

Transporter IV Bus (70XB, 70XC, 7DB, 7DW)

1.8	12.90 - 07.92	49	1781	4	PD	CL001	1			coil socket with 3 pins
						CL019	1			coil socket with 6 pins
2.0	09.90 - 04.03	62	1968	4	AAC	CL001	1			coil socket with 3 pins
						CL019	1			coil socket with 6 pins
2.5	11.90 - 04.03	81	2461	5	AEN/AAF/ACU/AEU	CL001	1			
2.5	08.96 - 04.03	85	2461	5	AET	CL001	1			
2.5 Syncro	11.92 - 04.03	81	2461	5	AEN/AAF/ACU/AEU	CL001	1			
2.5 Syncro	07.96 - 04.03	85	2461	5	AET	CL001	1			
2.8 VR6	11.95 - 04.00	103	2792	6	AES	CL021	1			
2.8 VR6	04.00 - 04.03	150	2792	6	AMV	CL021	1			
2.8 VR6 Syncro	01.96 - 04.96	103	2792	6	AES	CL021	1			

Transporter IV Flatbed (70XD)

2.0	07.90 - 04.03	62	1968	4	AAC	CL001	1			coil socket with 3 pins
						CL019	1			coil socket with 6 pins
2.5	11.90 - 04.03	81	2461	5	AEN/AAF/ACU/AEU	CL001	1			
2.5	08.96 - 04.03	85	2461	5	AET	CL001	1			
2.5 Syncro	10.92 - 04.03	81	2461	5	AEN/AAF/ACU/AEU	CL001	1			
2.5 Syncro	08.96 - 04.03	85	2461	5	AET	CL001	1			
2.8	05.96 - 05.00	103	2792	6	AES	CL021	1			

Transporter IV Van (70XA)

2.0	07.90 - 04.03	62	1968	4	AAC	CL001	1			coil socket with 3 pins
						CL019	1			coil socket with 6 pins
2.5	11.90 - 04.03	81	2461	5	AEN/AAF/ACU/AEU	CL001	1			
2.5	08.96 - 04.03	85	2461	5	AET	CL001	1			
2.5 Syncro	10.92 - 04.03	81	2461	5	AEN/AAF/ACU/AEU	CL001	1			
2.5 Syncro	08.96 - 04.03	85	2461	5	AET	CL001	1			
2.8 VR6	05.96 - 05.00	103	2792	6	AES	CL021	1			

Transporter V Bus (7HB, 7HJ, 7EB, 7EJ, 7EF)

2.0	11.03 -	85	1984	4	AXA	CL002	1			
3.2 V6	02.04 - 06.04	170	3189	6	BDL	CL016	6			pencil
3.2 V6	02.04 - 11.09	173	3189	6	BKK/CFLA	CL016	6			pencil
3.2 V6 4motion	11.03 - 11.09	173	3189	6	BKK/CFLA	CL016	6			pencil

Transporter V Flatbed (7JD, 7JE, 7JL, 7JY, 7JZ)

2.0	11.03 -	85	1984	4	AXA	CL002	1			
3.2 V6	02.04 - 11.09	170	3189	6	BDL	CL016	6			pencil
3.2 V6	08.03 - 05.06	173	3189	6	BKK	CL016	6			pencil

Transporter V Van (7HA, 7HH, 7EA, 7EH)

2.0	11.03 -	85	1984	4	AXA	CL002	1			
3.2 V6	04.03 - 06.04	170	3189	6	BDL	CL016	6			pencil
3.2 V6	02.04 - 11.09	173	3189	6	BKK/CFLA	CL016	6			pencil
3.2 4motion	11.03 - 11.09	173	3189	6	BKK/CFLA	CL016	6			pencil

Transporter T6 Bus (SGB _)

2.0 TSI	04.15 -	110	1984	4	CJKB	CL011	4			pencil
2.0 TSI	04.15 -	150	1984	4	CJKA	CL011	4			pencil
2.0 TSI 4motion	06.15 -	150	1984	4	CJKA	CL011	4			pencil

Transporter T6 Van (SGA, SGH)

2.0 TSI	04.15 -	110	1984	4	CJKB	CL011	4			pencil
2.0 TSI	04.15 -	150	1984	4	CJKA	CL011	4			pencil
2.0 TSI 4motion	06.15 -	150	1984	4	CJKA	CL011	4			pencil

Transporter T6 Flatbed (SFD _)

2.0 TSI	04.15 -	110	1984	4	CJKB	CL011	4			pencil
---------	---------	-----	------	---	------	-------	---	--	--	--------

Up

1.0	08.11 -	44	999	3	CHYA	CL031	3			pencil
1.0	08.11 -	55	999	3	CHYB	CL031	3			pencil
1.0 EcoFuel	11.12 -	50	999	3	CPGA	CL031	3			pencil

model	year	kW	cm ³	cyl	engine	coil	pcs	boot	pcs	info
VW										
Vento (1H2)										
1.4	11.91 - 09.98	40	1390	4	ABD	CL001	1			
1.4	11.91 - 09.98	44	1390	4	AEX/ABD	CL001	1			
1.6	09.92 - 09.98	55	1598	4	ABU/AEA/AEE	CL001	1			coil socket with 3 pins
						CL019	1			coil socket with 6 pins
1.6	10.94 - 09.98	74	1595	4	AEK	CL001	1			
1.8	11.91 - 09.98	55	1781	4	AAM	CL001	1			
1.8	11.91 - 09.98	66	1781	4	ABS, ADZ	CL001	1			
2.0	11.91 - 09.98	85	1984	4	ADY/AKR/AGG	CL001	1			
2.8 VR6	01.92 - 09.98	128	2792	6	AAA	CL001	1			with distributor
						CL021	1			without distributor

ZAZ										
Lanos CC										
1.4	10.04 -	55	1349	4	A13SM	CL201	1			
1.5	10.04 -	63	1498	4	A15SM	CL201	1			
1.6 16V	10.04 -	78	1598	4	A16DMS	CL201	1			
Lanos Pick-up										
1.4	10.04 -	55	1349	4	A13SM	CL201	1			
1.5	10.04 -	63	1498	4	A15SM	CL201	1			
Lanos Sedan										
1.4	10.04 -	55	1349	4	A13SM	CL201	1			
1.5	10.04 -	63	1498	4	A15SM	CL201	1			
1.6 16V	10.04 -	78	1598	4	A16DMS	CL201	1			

Marking of coils
 Обозначение катушек
 Turvové označení cívek

Original number of car producer
 Обозначение производителя автомобилей
 Označení dílu výrobcem automobilů

CL309					
PIN	OEM-No.				
	FIAT 55200112				
	55200486				
	55208723				
	FORD 1535713				
	1671690				
	9551-12029-AA				
	ALFA ROMEO				
	Mito (955)	1.4	05.11-	51	955 A9.000
	FIAT				
	500 (312)	1.2	10.07-	51	169 A4.000
	1.2 LPG	12.10-	51	169 A4.000	

car / van make and model (body design)
 марка и модель автомобиля (тип кузова)
 značka a model osobního (užitkového)
 automobilu (typ karoserie)

year of production
 год производства
 rok výroby

engine power (kW)
 мощность двигателя (kW)
 výkon a objem motoru (kW)

type of engine
 тип двигателя
 typ motoru

connector with pins
 разъем с контактами
 konektor s kontakty

type of connection
 тип присоединения
 způsob připojení

Used designations / Использованные термины / Použité výrazy

- **coil without COP boot**
катушка без наконечника
cívka bez koncovky

- **spare boot CP036**
тип запасного наконечника
typ náhradní koncovky

- **1 coil per cylinder**
1 катушка на каждый цилиндр
1 cívka na válec

- **2 coils per vehicle**
2 катушки на машине
2 cívky pro automobil

- **for cylinder 1 & 3 & 5**
катушка на цилиндры 1 & 3 & 5
cívka na válce 1 & 3 & 5

- **semidirect:** 2 coils (CL404) and ignition lead set T471G
2 катушки (CL404) и 1 комплект проводов зажигания T471G (комбинированная система зажигания)
2 cívky (CL404) a sada zapalovacích kabelů T471G (kombinovaný zapalovací systém)

- **color of socket** - black, brown, grey
цвет разъема: чёрный, коричневый, серый
barva zásuvky: černá, hnědá, šedá

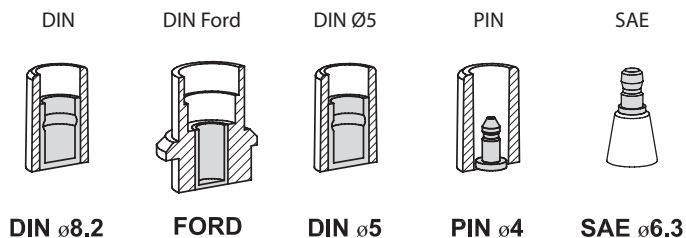
- **lengths of cables** - 47-42-42-42 cm
длина проводов: 47-42-42-42 cm
délka kabelů: 47-42-42-42 cm

- **old design**
старый вариант
starší provedení

- **new design**
новый вариант
nové provedení

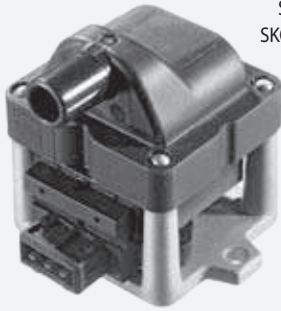
- **top cover**
верхняя крышка
horní kryt

PSA = Citroen / Peugeot
VAG = Volkswagen Group
Kompr. = Kompressor
cat = catalysator



CL001

PIN	OEM-No.
	SEAT 867 905 104
	SKODA 6N0 905 104
	004 050 016
	VW 6N0 905 104
	357 905 104
	867 905 104A



AUDI

80 (8C, B4)	1.6	09.91-12.94	52	ABM
	2.0	09.91-12.94	66	ABT
	2.0 E	09.91-12.94	85	ABK
	2.0 E quattro	09.91-12.94	85	ABK
80 Avant (8C, B4)	2.0	07.92-01.96	66	ABT
	2.0 E	07.92-01.96	85	ABK
100 (4A, C4)	2.0	12.90-06.94	74	AAE
100 Avant (4A, C4)	2.0 E	09.91-06.94	74	AAE
A6 (4A, C4)	2.0	06.94-10.97	85	ABK
Cabriolet (8G7, B4)	2.0 E	01.93-07.98	85	ABK
Coupe (89, 8B)	2.0	05.89-12.96	85	AAD

SEAT

Alhambra	2.0 i	04.96-03.10	85	ADY
Arosa (6H)	1.0	05.97-06.04	37	AER
	1.4	05.97-06.04	44	AEX
Cordoba (6K1, 6K2)	1.0 i	09.96-06.99	37	AER
	1.4	12.97-04.99	40	ANX
	1.4 i	06.94-06.99	44	AEX/AKV/ABD
	1.4 i 16V	09.96-06.99	74	AFH
	1.6 i	05.94-06.99	55	1F
	1.6 i	02.93-06.99	55	ABU/ALM/AEE
	1.6 i	07.96-10.99	74	AKL/AFT
	1.8 i	02.93-06.99	66	ADZ/ABS
	1.8 i 16V	10.93-08.96	95	ADL
	2.0 i	02.93-06.99	85	2E
	2.0 i 16V	08.96-06.99	110	ABF
Cordoba (6K2)	1.6	06.99-10.02	55	ALM
Cordoba Vario (6K5)	1.4 i	09.96-06.99	44	AEX/AKV
	1.6	06.99-12.02	55	ALM
	1.6 i	09.96-06.99	55	ALM/AEE
	1.6 i	05.97-06.99	55	1F
	1.6 i	09.96-06.99	74	AFT
Ibiza II (6K1)	1.0	03.93-09.96	33	AAU
	1.0 i	09.96-08.99	37	AER
	1.3 i	03.93-08.99	40	2G/AAV
	1.4 i	09.93-08.99	44	AEX/AKV/ABD/APQ
	1.4 i 16V	06.97-08.99	74	AFH
	1.6 i	09.94-06.99	55	1F
	1.6 i	03.93-08.99	55	ABU/ALM/AEE
	1.6 i	04.96-08.99	74	AFT
	1.8 i	03.93-08.99	66	ADZ/ABS
	1.8 i 16V	11.93-08.96	95	ADL
	2.0 i	03.93-08.99	85	2E/AGG
2.0 i 16V	08.96-08.99	110	ABF	
Ibiza III (6K1)	1.6	08.99-02.02	55	ALM
Inca (6K9)	1.4 i	11.95-06.03	44	AEX/AKV
	1.6 i	11.95-05.98	55	1F
	1.6 i	06.97-09.00	55	ALM/AEE
Toledo I (1L)	1.6 i	05.91-12.93	52	1F
	1.6 i	05.91-03.99	54	EZ/ABN/1F
	1.6 i	01.93-03.99	55	1F
	1.6 i	11.96-03.99	74	AFT
	1.8 i	11.93-12.96	66	ADZ/ABS
	2.0 i	05.91-03.99	85	2E
	2.0 i 16V	11.93-03.99	110	ABF

SKODA

Favorit (781)	1.3 SPI	03.93-06.95	40	781.135B
	1.3 SPI	03.93-06.95	50	781.136B

< CL001

SKODA

Favorit Forman (785)	1.3 SPI	03.93-06.95	40	781.135B
	1.3 SPI	03.93-06.95	50	781.136B
Favorit Pick-up (787)	1.3 SPI	03.93-06.95	40	781.135B
	1.3 SPI	03.93-06.95	50	781.136B
Felicia I (6U1)	1.3	10.94-03.98	40	135B/AMG
	1.3	10.94-03.98	50	136B/AMH
	1.6 LX	08.95-03.98	55	EA111/AEE
Felicia I Combi (6U5)	1.3 LX	08.95-03.98	40	135B/AMG
	1.3 LXI	08.95-03.98	50	136B/AMH
	1.6 GLX	08.95-03.98	55	AEE
Felicia I Pick-up (797)	1.3	06.97-04.02	40	135B/135M/AMG
	1.3	06.97-04.02	50	136B/136M/AMH
	1.6	06.97-04.02	55	AEE
Felicia II (6U1)	1.6	01.98-06.01	55	AEE
Felicia II Combi	1.6	01.98-06.01	55	AEE
Octavia (1U2)	1.6	09.96-09.04	55	AEE
Octavia Combi (1U5)	1.6	07.98-09.04	55	AEE

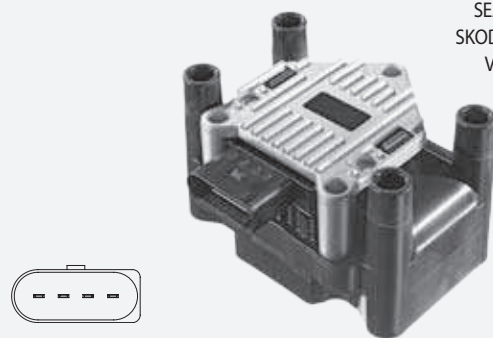
VW

Caddy II Combi	1.4	11.95-01.04	44	AEX/AKV/APQ
	1.6	11.95-05.97	55	1F
	1.6	06.97-09.00	55	AEE
Caddy II Pick-up	1.6	06.96-12.00	55	AEE
Caddy II Van (9K9A)	1.4 60	11.95-01.04	44	AEX/APQ
	1.6 75	11.95-09.00	55	AEE
	1.6 75	11.95-05.97	55	1F
Corrado (53I)	2.0 i	04.93-12.95	85	2E
	2.0 i 16V	08.91-12.95	100	9A
	2.9 VR6	08.91-12.95	140	ABV
Golf II (19E, 1G1)	1.3 cat	06.86-12.92	40	NZ
Golf III (1H1)	1.4	11.91-08.97	40	AEX/ABD
	1.4	10.91-08.97	44	AEX/ABD
	1.6	09.92-08.97	55	ABU/AEA/AEE
	1.6	07.95-08.97	74	AEK/AFT/AKS
	1.8	11.91-08.97	55	AAM
	1.8	11.91-08.97	66	ACC/ADZ/ABS
	1.8 Syncro	01.93-08.97	66	ADZ/ABS
	2.0	11.91-08.97	85	ADY/AKR/AGG
	2.0 Syncro	08.95-08.97	85	AGG
	2.0 GTI 16V	08.92-08.97	110	ABF
Golf III Cabriolet	2.8 VR6	01.92-08.97	128	AAA
	2.9 VR6 Syncro	10.94-08.97	140	ABV
	1.6	10.94-05.98	74	AEK/AFT/AKS
	1.8	07.93-05.98	55	AAM
Golf III Variant (1H5)	1.8	07.93-05.98	66	ADZ/ABS
	2.0	07.93-05.98	85	ADY/AKR/AGG
	1.4	07.93-04.99	40	ABD
	1.4	07.93-04.99	44	AEX/ABD/APQ
	1.6	07.94-04.99	74	AFT/AKS
	1.8	07.93-04.99	55	ANN/AAM
Golf IV Cabriolet	1.8	07.93-04.99	66	ADZ/ANP
	1.8 Syncro	10.94-04.99	66	ADZ
	2.0	07.93-04.99	85	ADY/AKR/AGG
	2.0 Syncro	08.95-04.99	85	AGG
	2.9 VR6 Syncro	10.94-04.99	140	ABV
	1.6	06.98-06.02	74	AFT/AKS
	1.8	06.98-06.02	55	ANN/AAM
Lupo (6X1, 6E1)	1.8	06.98-06.02	66	ADZ/ANP
	2.0	06.98-06.02	85	AKR/AGG
	1.0	09.98-07.05	37	AER/ALL
Passat (3A2, 35I)	1.6	10.94-08.96	74	AEK/AFT
	1.8	08.90-08.96	55	AAM
	1.8	02.88-08.96	66	RP/ADZ
	2.0	03.95-08.96	79	AEP
	2.0	02.90-08.96	85	2E
	2.0 Syncro	10.90-08.96	85	2E
	2.8 VR6	06.91-08.96	128	AAA
Passat (3B2)	1.6	10.96-11.00	74	ADP
Passat Variant (3A5)	1.6	07.94-12.95	74	AFT
	1.8	08.90-05.97	55	AAM
	1.8	02.88-05.97	66	RP/ADZ
	2.0	03.95-08.96	79	AEP

< CL001

VW				
Passat Variant (3A5)	2.0	02.90-05.97	85	2E
	2.0 Syncro	10.90-05.97	85	2E
	2.8 VR6	06.91-05.97	128	AAA
	2.9 VR6 Syncro	01.94-05.97	135	ABV
Passat Variant (3B5)	1.6	06.97-11.00	74	ADP
Polo (86C, 80)	1.0	08.85-01.92	33	HZ
	1.0 cat	08.89-09.94	33	AAU/ACM
	1.3 cat	10.90-09.94	40	NZ/2G
	1.3 cat	10.89-11.90	55	3F
Polo (6N1)	45 1.0	10.94-09.96	33	AEV
	50 1.0	09.96-10.99	37	AER/ALL
	55 1.3	10.94-07.95	40	ADX
	55 1.4	08.95-10.99	40	AEX
	60 1.4	07.95-10.99	44	AEX/AKV
	75 1.6	10.94-10.99	55	AEA/AEE
	100 1.4 16V	04.96-10.99	74	AFH
Polo Classic (86C, 80)	1.0	08.86-09.94	33	AAU/HZ/AAK
	1.3	08.85-07.87	40	MH/HK
	1.3 cat	07.87-09.94	40	NZ/MH
Polo Classic (6KV2)	1.0	08.96-12.01	37	AER
	60 1.4	12.95-09.01	44	AEX/AKV
	75 1.6	11.95-09.01	55	ALM/AEE
	75 1.6	11.95-09.97	55	1F
	90 1.8	01.97-09.01	66	ADZ/ADD/ABS
	100 1.6	12.95-09.01	74	AFT
Polo Coupe (86C, 80)	1.0	08.85-01.92	33	HZ
	1.0 cat	08.89-09.94	33	AAU/AAK/ACM
	1.3	03.91-09.94	57	3F
	1.3 cat	07.87-08.94	40	NZ/2G/MH/AAV
	1.3 cat	10.89-11.90	55	3F
	1.3 G40	08.90-09.94	83	PY
Polo Sedan (9A4)	1.0	08.96-12.01	37	AER
Polo Van (86CF)	1.0	08.92-07.94	33	AAU
Polo Van (6NF)	1.0	10.94-12.99	33	AEV
	1.4	05.98-12.99	44	AEX
Polo Variant (6KV5)	1.4	05.97-09.01	44	AEX/AKV
	1.6	05.97-09.01	55	ALM/AEE
	1.6	05.97-09.01	74	AFT
	1.8	05.97-09.01	66	ADZ
Sharan (7M_)	2.0	09.95-03.10	85	ADY
Transporter IV Bus	1.8	12.90-07.92	49	PD
	2.0	09.90-04.03	62	AAC
	2.5	11.90-04.03	81	AEN/AAF/ACU/AEU
	2.5	08.96-04.03	85	AET
	2.5 Syncro	11.92-04.03	81	AEN/AAF/ACU/AEU
	2.5 Syncro	07.96-04.03	85	AET
Transporter IV Flatbed	2.0	07.90-04.03	62	AAC
	2.5	11.90-04.03	81	AEN/AAF/ACU/AEU
	2.5	08.96-04.03	85	AET
	2.5 Syncro	10.92-04.03	81	AEN/AAF/ACU/AEU
	2.5 Syncro	08.96-04.03	85	AET
Transporter IV Van	2.0	07.90-04.03	62	AAC
	2.5	11.90-04.03	81	AEN/AAF/ACU/AEU
	2.5	08.96-04.03	85	AET
	2.5 Syncro	10.92-04.03	81	AEN/AAF/ACU/AEU
	2.5 Syncro	08.96-04.03	85	AET
Vento (1H2)	1.4	11.91-09.98	40	ABD
	1.4	11.91-09.98	44	AEX/ABD
	1.6	09.92-09.98	55	ABU/AEA/AEE
	1.6	10.94-09.98	74	AEK
	1.8	11.91-09.98	55	AAM
	1.8	11.91-09.98	66	ABS, ADZ
	2.0	11.91-09.98	85	ADY/AKR/AGG
	2.8 VR6	01.92-09.98	128	AAA

CL002

PIN	OEM-No.			
	SEAT 032 905 106B			
	SKODA 032 905 106B			
	VW 032 905 106			
	032 905 106B			
	032 905 106D			
	032 905 106E			
				
AUDI				
A1 (8X1, 8XF)	1.2 TFSI	05.10-	63	CBZA
A1 Sportback (8X_)	1.2 TFSI	01.12-	63	CBZA
A2 (8Z0)	1.4	02.00-08.05	55	AUA
A3 (8L1)	1.6	09.96-05.03	74	AKL/APF/AEH
	1.6	08.00-05.03	75	AVU/BFQ
	1.8	09.96-05.03	92	AGN/APG
A3 (8P1)	1.2 TSI	04.10-08.12	77	CBZB
	1.6	05.03-08.12	75	BGU
A3 Cabriolet (8P7)	1.2 TFSI	03.10-05.13	77	CBZB
	1.6	09.08-05.10	75	BSE
A3 Sportback (8PA)	1.2 TSI	04.10-03.13	77	CBZB
	1.6	09.04-03.13	75	BGU
A4 (8D2, B5)	1.6	11.94-10.00	74	AHL/ARM/ANA
	1.6	07.00-11.00	75	ALZ
A4 (8E2, B6)	1.6	11.00-12.04	75	ALZ
A4 (8EC, B7)	1.6	11.04-06.08	75	ALZ
A4 Avant (8D5, B5)	1.6	11.94-09.01	74	AHL/ARM/ANA
	1.6	07.00-09.01	75	ALZ
A4 Avant (8E5, B6)	1.6	09.01-12.04	75	ALZ
A4 Avant (8ED, B7)	1.6	11.04-06.08	75	ALZ
SEAT				
Alhambra	2.0 i	04.96-03.10	85	ATM
Altea (5P1)	1.2 TSI	04.10-	77	CBZB
	1.6	03.04-	75	BGU/BSF/_E/CMXA
	1.6 LPG	09.09-	75	CHGA
Altea XL (5P5, 5P8)	1.2 TSI	04.10-	77	CBZB
	1.6	10.06-	75	BSF/CMXA/BSE
	1.6 LPG	09.09-	75	CHGA
Arosa (6H)	1.0	05.97-06.04	37	ANV/AUC
	1.4	05.97-06.04	44	ANW/AUD
	1.4 16V	01.00-06.04	74	AFK/AUB/AQQ
Cordoba (6K2)	1.0	06.99-10.02	37	ANV/ALD/AUC
	1.4	06.99-10.02	44	ANW/AKK/AUD
	1.4 16V	05.00-10.02	55	APE/AUA
	1.4 16V	02.00-10.02	74	AUB/AQQ
	1.6	06.99-10.02	74	AKL/APF/AEH
Cordoba (6L2)	1.6	04.03-11.09	74	BAH
	2.0	09.02-11.09	85	AZL/BBX
Cordoba Vario (6K5)	1.4	06.99-12.02	44	ANW/AKK/AUD
	1.4 16V	06.99-12.02	55	APE/AUA
	1.6	06.99-12.02	74	AKL/APF/AEH/AUR
Exeo (3R2)	1.6	03.09-09.10	75	ALZ
	1.8 T	12.08-05.10	110	CFMA
Exeo ST (3R5)	1.6	06.09-09.10	75	ALZ
	1.8 T	06.09-05.10	110	CFMA
Ibiza III (6K1)	1.0	08.99-02.02	37	ANV/ALD/AUC
	1.4	08.99-02.02	44	ANW/AKK/AUD
	1.4 16V	05.00-02.02	55	APE/AUA
	1.4 16V	08.99-02.02	74	AUB/AQQ
	1.6	08.99-02.02	74	AKL/APF/AEH/AUR
Ibiza IV (6L1)	1.4 16V	02.02-11.09	74	AUB
	1.6	02.03-11.09	74	BAH
	2.0	04.02-11.09	85	AZL/BBX
Ibiza V (6J5, 6P5)	1.2 TSI	09.10-	77	CBZB
Ibiza V SportCoupe	1.2 TSI	09.10-	77	CBZB
Ibiza V ST (6J8, 6P8)	1.2 TSI	09.12-	63	CBZA
	1.2 TSI	09.10-	77	CBZB

< CL002

SEAT

Inca (6K9)	1.4 16V	04.00-06.03	55	AUA
	1.4 i	11.95-06.03	44	AUD
Leon (1M1)	1.4 16V	11.99-06.06	55	AHW/AXP/APE
	1.6	11.99-06.06	74	AKL/APF/AEH
	1.6	10.05-06.06	75	BGU/BFQ
	1.6 16V	09.00-06.06	77	AUS
	1.8 20V	11.99-06.06	92	AGN/APG
Leon (1P1)	1.2 TSI	02.10-	77	CBZB
	1.6	07.05-	75	CCSA/BSF/CMXA/BSE
	1.6 LPG	12.09-	75	CHGA
Toledo II (1M2)	1.4 16V	01.00-05.02	55	AHW/AXP/APE/AUA
	1.6	10.98-07.04	74	AKL/APF/AEH
	1.6 16V	06.00-05.06	77	AUS
	1.8 20V	10.98-07.04	92	AGN/APG
Toledo III (5P2)	1.6	10.04-05.09	75	BGU/BSF/BSE
Toledo IV (KG3)	1.2 TSI	07.12-	63	CBZA
	1.2 TSI	07.12-	77	CBZB

SKODA

Fabia (6Y2)	1.4 16V	12.99-03.08	55	AUA
	1.4 16V	12.99-03.08	74	AUB
	2.0	12.99-03.08	85	AZL
Fabia	1.2 TSI	03.10-12.14	63	CBZA
	1.2 TSI	03.10-12.14	77	CBZB
Fabia Combi (6Y5)	1.4 16V	05.00-12.07	55	AUA
	1.4 16V	04.00-12.07	74	AUB
	2.0	04.00-12.07	85	AZL
Fabia Combi	1.2 TSI	03.10-12.14	63	CBZA
	1.2 TSI	03.10-12.14	77	CBZB
Fabia Sedan (6Y3)	1.4 16V	10.99-12.07	55	AUA
	1.4 16V	12.99-12.07	74	AUB
	2.0	12.99-12.07	85	AZL
Octavia (1U2)	1.4 16V	09.00-12.10	55	AXP/BCA
	1.6	02.97-12.07	74	AKL/AEH
	1.6	11.00-12.10	75	AVU/BFQ
	1.8	09.96-07.00	92	AGN
	2.0	04.99-05.07	85	APK/AZH/AQY/AEG
Octavia (1Z3)	1.2 TSI	02.10-06.13	77	CBZB
	1.6	06.04-06.13	75	BGU/BSF/CMXA/BSE
	1.6 LPG	08.09-11.12	75	CHGA
	1.6 MultiFuel	01.08-06.13	75	CCSA/CMXA
Octavia Combi (1U5)	1.4 16V	08.00-12.10	55	AXP/BCA
	1.6	07.98-12.07	74	AKL/AEH
	1.6	09.00-12.10	75	AVU/BFQ
	1.8 20V	07.98-07.00	92	AGN
	2.0	04.99-05.07	85	APK/AZH/AQY/AEG
	2.0 4x4	08.00-09.04	85	AZH
Octavia Combi (1Z5)	1.2 TSI	02.10-04.13	77	CBZB
	1.6	09.04-06.13	75	BGU/BSF/CMXA/BSE
	1.6 LPG	08.09-11.12	75	CHGA
	1.6 MultiFuel	01.08-06.13	75	CCSA/CMXA
Rapid (NH3)	1.2 TSI	07.12-	63	CBZA
	1.2 TSI	07.12-	77	CBZB
Rapid Spaceback	1.2 TSI	07.12-	63	CBZA
	1.2 TSI	07.12-	77	CBZB
Roomster (5J)	1.2 TSI	03.10-	63	CBZA
	1.2 TSI	03.10-	77	CBZB
Roomster Praktik (5J)	1.2 TSI	03.10-	63	CBZA
Superb (3U4)	2.0	12.01-03.08	85	AZM
Yeti (5L)	1.2 TSI	09.09-	77	CBZB

VW

Beetle (5C1)	1.2 TSI	07.11-	77	CBZB
Beetle Cabriolet (5C7)	1.2 TSI	12.12-	77	CYVD/CBZB
Bora (1J2)	1.4 16V	03.00-05.05	55	AHW/AXP/APE/AKQ
	1.6	10.98-05.05	74	AKL/APF/AEH
	1.6	08.00-05.05	75	AVU/BFQ
	1.6 16V	05.00-05.05	77	AUS/ATN
	1.8	10.98-05.05	92	AGN
	1.8 4motion	02.99-05.05	92	AGN
	2.0	10.98-05.05	85	APK/AZH/AQY
	2.0 4motion	04.00-05.05	85	AZH

< CL002

VW

Bora Combi (1J6)	1.4 16V	09.01-05.05	55	AHW/AXP	
	1.6	05.99-05.05	74	APF/AEH	
	1.6	08.00-05.05	75	AVU/BFQ	
	1.6 16V	02.00-05.05	77	AUS/ATN	
	1.8 4motion	05.99-05.05	92	AGN	
	2.0	05.99-05.05	85	APK/AZH/AQY	
	2.0 4motion	04.00-05.05	85	AZH	
Caddy II Combi	1.4	11.95-01.04	44	AUD	
	1.4 16V	08.00-01.04	55	AUA	
Caddy II Van	1.4 60	11.95-01.04	44	AUD	
	1.4	08.00-01.04	55	AUA	
Caddy III Combi	1.2 TSI	09.10-	63	CBZA	
	1.2 TSI	09.10-	77	CBZB	
	1.6	04.04-	75	BGU/BSF/BSE	
	1.6 BiFuel	05.11-	75	CHGA	
Caddy III Van	1.2 TSI	09.10-	63	CBZA	
	1.2 TSI	09.10-	77	CBZB	
	1.6	04.04-	75	BGU/BSF/BSE	
	1.6 BiFuel	05.11-	75	CHGA	
Fox (5Z1, 5Z3)	1.4	04.05-	55	BKR	
Golf IV (1J1)	1.4 16V	08.97-06.05	55	AHW/AXP/APE/AKQ	
	1.6	08.97-05.04	74	AKL/APF/AEH	
	1.6	08.00-06.05	75	AVU/BFQ	
	1.6 16V	02.00-06.05	77	AUS/ATN	
	1.8	08.97-06.05	92	AGN	
	1.8 4motion	05.98-06.05	92	AGN	
	2.0	07.98-05.04	85	APK/AQY	
		2.0 4motion	10.00-06.05	85	AZH
	Golf IV Cabriolet	2.0	06.98-06.02	85	ATU
	Golf IV Variant (1J5)	1.4 16V	05.99-06.06	55	AHW/AXP/APE/AKQ
1.6		05.99-04.02	74	AKL/APF/AEH	
1.6		08.00-06.06	75	AVU/BFQ	
1.6 16V		02.00-06.06	77	AUS/ATN	
	1.8 4motion	05.99-06.06	92	AGN	
	2.0	05.99-06.06	85	APK/AQY	
	2.0 4motion	10.00-06.06	85	AZH	
Golf V (1K1)	1.6	01.04-11.08	75	BGU/BSF/BSE	
Golf V Variant (1K5)	1.6	06.07-07.09	75	BGU/CCSA/BSF/BSE	
Golf VI (5K1)	1.2 TSI	05.10-11.12	63	CBZA	
	1.2 TSI	05.09-11.12	77	CBZB	
	1.6	10.08-11.12	75	BSF/CMXA/BSE	
	1.6 BiFuel	03.09-11.12	75	CHGA	
	1.6 MultiFuel	10.08-11.12	75	CCSA/CMXA	
Golf VI Cabriolet	1.2 TSI	03.11-11.13	77	CBZB	
Golf VI Variant (AJ5)	1.2 TSI	07.10-07.13	63	CBZA	
	1.2 TSI	08.09-07.13	77	CBZB	
	1.6	07.09-07.13	75	BSF/CMXA/BSE	
Golf Plus (5M1, 521)	1.2 TSI	11.09-12.13	77	CBZB	
	1.6	05.05-12.13	75	BSF/CMXA/BSE	
	1.6 BiFuel	05.09-12.13	75	CHGA	
	1.6 MultiFuel	11.07-12.13	75	CCSA/CMXA	
		1.6	10.05-10.10	75	BSF/BSE
Jetta III (1K2)	1.6	10.05-10.10	75	BSF/BSE	
	1.6 MultiFuel	01.08-10.10	75	CCSA	
Jetta IV (162, 163)	1.2 TSI	02.11-	77	CBZB	
	2.0	06.10-	85	CKJA/CBPA	
Lupo (6X1, 6E1)	1.0	09.98-07.05	37	ALD/ANV/AUC	
	1.4	10.00-07.05	44	AUD	
	1.4 16V	09.98-07.05	55	AHW/APE/AKQ/AUA	
	1.4 16V	08.99-07.05	74	AFK/AUB/AQQ	
	1.6 GTI	09.00-07.05	92	AVY	
Multivan V	2.0	11.03-	85	AXA	
New Beetle	1.6	10.99-09.00	74	AWH	
	1.6	06.00-09.10	75	AYD/BFS	
	2.0	01.98-09.10	85	AVH	
		1.6	01.03-09.10	75	BFS
New Beetle Cabrio	1.6	01.03-09.10	75	BFS	
Passat (3B2)	1.6	10.96-11.00	74	AHL/ARM/ANA	
Passat (3B3)	1.6	11.00-05.05	75	ALZ	
	2.0	11.00-05.05	85	AZM	
		2.0 4motion	11.00-05.05	85	AZM
		1.6	05.05-07.10	75	BSF/BSE
Passat (3C2)	1.6	05.05-07.10	75	BSF/BSE	
Passat Variant (3B5)	1.6	06.97-11.00	74	AHL/ARM/ANA	

< CL002

VW

Passat Variant (3B6)	1.6	11.00-05.05	75	ALZ
	2.0	11.00-05.05	85	AZM
	2.0 4motion	11.00-05.05	85	AZM
Passat Variant (3C5)	1.6	08.05-11.10	75	BSF/BSE
Polo (6N1)	120 1.6 16V GTI	09.98-10.99	88	AJV
Polo (6N2)	1.0	10.99-09.01	37	ALD/AUC
	1.4	10.99-09.01	40	ANX/AKP
	1.4	10.99-09.01	44	AUD
	1.4 16V	10.99-09.01	55	AHW/APE/AUA
	1.4 16V	10.99-09.01	74	AFK/AUB/AQQ
	1.6 16V GTI	10.99-09.01	92	AVY
Polo (9N_)	1.4 16V	10.01-05.08	55	AUA
	1.4 16V	10.01-05.08	74	AUB
	1.6	08.02-05.05	74	BAH
Polo (6R, 6C)	1.2 TSI	05.11-05.14	66	CBZC
	1.2 TSI	11.09-	77	CBZB
Polo Classic (6KV2)	60 1.4	12.95-09.01	44	AKK/AUD
	75 1.4 16V	10.99-09.01	55	APE/AUA
	100 1.6	12.95-09.01	74	AKL/AEH
Polo Sedan (9A4)	1.6	09.02-	74	BPA/CFZA/BAH
Polo Variant (6KV5)	1.4	12.98-09.01	40	AKP
	1.4	05.97-09.01	44	AKK/AUD
	1.4 16V	10.99-09.01	55	APE/AUA
	1.6	05.97-09.01	74	AKL/AEH
Sharan (7M_)	2.0	09.95-03.10	85	ATM
	2.0 LPG	04.06-03.10	85	ATM
Touran (1T1, 1T2)	1.6	07.03-05.10	75	BGU/BSF/BSE
Touran (1T3)	1.2 TSI	05.10-	77	CBZB
Transporter V Bus	2.0	11.03-	85	AXA
Transporter V Flatbed	2.0	11.03-	85	AXA
Transporter V Van	2.0	11.03-	85	AXA

CL003



OEM-No.

VW 036 905 100A
036 905 100B
036 905 100C
036 905 100D
036 905 715
036 905 715A
036 905 715C
036 905 715E

1 coil per cylinder

AUDI

A1 (8X1, 8XF)	1.4 TFSI	05.10-	90	CNVA/CAXA
	1.4 TFSI	01.11-	136	CTHG/CTJA/CAVG
A1 Sportback (8X_)	1.4 TFSI	11.11-	90	CNVA/CAXA
	1.4 TFSI	11.11-	136	CTHG/CTJA/CAVG
A2 (8Z0)	1.4	02.00-08.05	55	BBY
	1.6 FSI	05.02-08.05	81	BAD
A3 (8P1)	1.4 TFSI	09.07-08.12	92	CMSA/CAXC
	1.6 FSI	08.03-09.07	85	BLF/BLP/BAG
A3 Cabriolet (8P7)	1.4 TFSI	02.11-05.13	92	CAXC
A3 Sportback (8PA)	1.4 TFSI	09.07-03.13	92	CMSA/CAXC
	1.6 FSI	09.04-09.07	85	BLF/BLP

SEAT

Alhambra (710, 711)	1.4 TSI	06.10-	110	CNWB/CTHA/CAVA
	1.4 16V	05.06-	63	CGGB/BXW
Altea (5P1)	1.4 TSI	11.07-	92	CAXC
	1.4 16V	10.06-	63	CGGB/BXW
Altea XL (5P5, 5P8)	1.4 TSI	11.07-	92	CAXC
	1.2	10.02-06.06	47	AZQ/BME
Cordoba (6L2)	1.2 12V	05.06-11.09	51	BXV
	1.4 16V	09.02-12.07	55	BBY
	1.4 16V	10.02-11.09	74	BBZ
	1.4 16V	05.06-11.09	63	BXW
	1.6 16V	11.06-11.09	77	BTS

< CL003

SEAT

Ibiza IV (6L1)	1.2	02.02-06.06	47	AZQ
	1.2 12V	05.06-11.09	51	BXV
	1.4 16V	02.02-12.07	55	BBY
	1.4 16V	05.06-11.09	63	BXW
	1.4 16V	02.02-11.09	74	BBZ
Ibiza V (6J5, 6P5)	1.6 16V	11.06-11.09	77	BTS
	1.2	07.09-	44	CGPB
	1.2	03.08-	51	CJLB/BZG/CGPA
	1.4	03.08-	63	CGGB/BXW
	1.4 TSI	06.09-	110	CAVF/CNUB/CTJB
Ibiza V SportCoupe	1.6	05.08-	77	BTS
	1.2	07.09-	44	CGPB
	1.2	07.08-	51	CJLB/BZG/CGPA
	1.4	07.08-	63	CGGB/BXW
	1.4 TSI	06.09-	110	CAVF/CNUB/CTJB
Ibiza V ST (6J8, 6P8)	1.4 TSI Cupra	06.09-	132	CTJC/CAVE/CTHE
	1.6	07.08-	77	BTS
	1.2	05.10-	44	CGPB
	1.2	05.10-	51	CJLB/BZG/CGPA
	1.4	03.10-	63	CGGB
Leon (1M1)	1.4 TSI	02.12-	110	CAVF/CNUB/CTJB
	1.4 16V	11.99-06.06	55	BCA
Leon (1P1)	1.6 16V	09.00-06.06	77	BCB/AZD
	1.4 16V	06.06-	63	CGGB/BXW
Toledo II (1M2)	1.4 TSI	11.07-	92	CAXC
	1.6 16V	06.00-05.06	77	BCB/AZD
Toledo IV (KG3)	1.2	07.12-	55	CGPC
	1.4 TSI	07.12-	90	CAXA
	1.6	07.13-	77	CFNA

SKODA

Fabia (6Y2)	1.2	01.03-03.08	47	AZQ/BME
	1.4 16V	12.99-03.08	55	BBY/BKY
	1.4 16V	12.99-03.08	74	BBZ
Fabia	1.2	01.07-12.14	51	CEVA/BZG/CHTA
	1.4	01.07-12.14	63	CGGB/BXW
	1.4 TSI RS	05.10-12.14	132	CAVE/CTHE
	1.6	04.07-12.14	77	BTS/CFNA
Fabia Combi (6Y5)	1.2	01.03-12.07	47	AZQ/BME
	1.4 16V	05.00-12.07	55	BBY/BKY
	1.4 16V	04.06-12.07	59	BUD
Fabia Combi	1.4 16V	04.00-12.07	74	BBZ
	1.2	10.07-12.14	51	CEVA/BZG/CHTA
	1.4	10.07-12.14	63	CGGB/BXW
Fabia Praktik	1.4 TSI RS	05.10-12.14	132	CAVE/CTHE
	1.6	10.07-12.14	77	BTS/CFNA
Fabia Sedan (6Y3)	1.2	01.03-12.07	47	AZQ/BME
Octavia (1Z3)	1.4 16V	10.99-12.07	55	BBY/BKY
	1.4 16V	04.06-12.07	59	BUD
	1.4 16V	12.99-12.07	74	BBZ
Octavia Combi (1Z5)	1.4	05.04-05.06	55	BCA
	1.4	06.04-04.13	59	BUD/CGGA
	1.4 TSI	11.08-06.13	90	CAXA
Rapid (NH3)	1.6 FSI	02.04-10.08	85	BLF
	1.2	05.06-06.13	59	BUD/CGGA
	1.4 TSI	11.08-06.13	90	CAXA
Rapid Spaceback	1.6 FSI	02.04-10.08	85	BLF
	1.2	07.12-	55	CGPC
	1.4 TSI	07.12-	90	CAXA
Roomster (5J)	1.6	07.12-	77	CFNA
	1.2	07.12-	55	CGPC
	1.4 TSI	07.12-	90	CAXA
Roomster Praktik (5J)	1.6	07.12-	77	CFNA
	1.2	05.06-01.07	47	BME
	1.2	01.07-	51	BZG/CGPA
Superb (3T4)	1.4	09.06-	63	CGGB/BXW
	1.6	09.06-	77	BTS/CFNA
Superb Combi (3T5)	1.2	03.07-	51	BZG/CGPA
	1.4	03.07-	63	CGGB/BXW



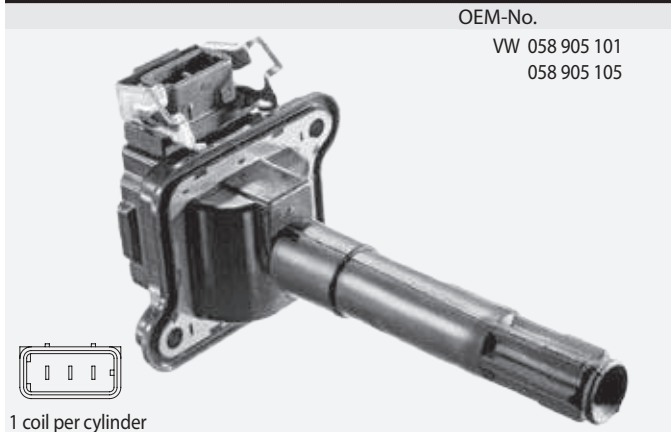
< CL003				
SKODA				
Yeti (5L)	1.4 TSI	06.10-	90	CAXA
VW				
Beetle (5C1)	1.4 TSI	04.11-	118	CTKA/CAVD/CNWA
Beetle Cabriolet	1.4 TSI	12.12-	118	CTKA/CAVD/CNWA
Bora (1J2)	1.4 16V	03.00-05.05	55	BCA
	1.6 16V	05.00-05.05	77	BCB/AZD
	1.6 FSI	01.02-05.05	81	BAD
Bora Combi (1J6)	1.4 16V	09.01-05.05	55	BCA
	1.6 16V	02.00-05.05	77	BCB/AZD
	1.6 FSI	01.02-05.05	81	BAD
Caddy III Combi	1.4	03.04-05.06	55	BCA
	1.4 16V	05.06-08.10	59	BUD
Caddy III Van	1.4	03.04-05.06	55	BCA
	1.4 16V	05.06-08.10	59	BUD
CC (358)	1.4 TSI	11.11-	118	CTHD
	1.4 TSI MultiFuel	11.11-	118	CKMA
Eos (1F7, 1F8)	1.4 TSI	11.07-	90	CAXA
	1.4 TSI	05.08-	118	CAVD/CTHD
	1.6 FSI	06.06-05.08	85	BLF
Golf IV (1J1)	1.4 16V	08.97-06.05	55	BCA
	1.6 16V	02.00-06.05	77	BCB/AZD
	1.6 FSI	01.02-06.05	81	BAD
Golf IV Variant (1J5)	1.4 16V	05.99-06.06	55	BCA
	1.6 16V	02.00-06.06	77	BCB/AZD
	1.6 FSI	01.02-06.06	81	BAD
Golf V (1K1)	1.4 16V	10.03-05.06	55	BCA
	1.4 16V	05.06-11.08	59	BUD
	1.4 FSI	10.03-07.06	66	BKG/BLN
	1.4 TSI	05.07-11.08	90	CAXA
	1.4 TSI	05.06-11.08	103	BMY
	1.4 TSI	11.05-11.08	125	BLG
Golf V Variant (1K5)	1.6 FSI	10.03-07.08	85	BLF/BLP/BAG
	1.4	06.07-07.09	59	BUD
	1.4 TSI	06.07-07.09	90	CAXA
	1.4 TSI	06.07-07.09	103	BMY
	1.4 TSI	07.08-07.09	118	CAVD
Golf VI (5K1)	1.4 TSI	06.07-07.09	125	BLG
	1.4	10.08-11.12	59	CGGA
	1.4 TSI	10.08-11.12	90	CAXA
	1.4 TSI	10.08-11.12	118	CTKA/CAVD/CNWA
	1.4 TSI	03.11-	118	CTKA/CAVD/CNWA
Golf VI Variant (AJ5)	1.4	07.09-07.13	59	BUD/CGGA
	1.4 TSI	07.09-07.13	90	CAXA
	1.4 TSI	07.09-07.13	118	CTKA/CAVD/CNWA
	1.4 16V	01.05-11.06	55	BCA
	1.4 16V	05.06-12.13	59	BUD/CGGA
Jetta III (1K2)	1.4 FSI	07.05-11.06	66	BLN
	1.4 TSI	06.07-12.13	90	CAXA
	1.4 TSI	05.06-06.08	103	BMY
	1.4 TSI	06.08-12.13	118	CAVD/CNWA
	1.4 TSI	05.06-06.08	125	BLG
	1.6 FSI	01.05-05.08	85	BLF
	1.4 TSI	05.07-10.10	90	CAXA
	1.4 TSI	07.06-10.10	103	BMY
Jetta IV (162, 163)	1.4 TSI	07.08-10.10	118	CAVD
	1.4 TSI	07.06-10.10	125	BLG
	1.6 FSI	09.05-10.10	85	BLF
	1.4 TSI	05.11-	90	CMSB/CAXA
	1.4 TSI	04.11-07.14	110	CTHA/CAVA
Lupo (6X1, 6E1)	1.4 TSI	04.11-	118	CAVD/CTHD
	1.6	12.11-	77	CFNA/CLRA
	1.6	03.13-	63	CFNB
New Beetle	1.4 16V	09.98-07.05	55	BBY
	1.4 FSI	02.01-07.05	77	ARR
New Beetle Cabrio	1.4	11.01-09.10	55	BCA
	1.4	01.03-09.10	55	BCA
Passat (3C2)	1.4 TSI	05.07-07.10	90	CAXA
	1.4 TSI EcoFuel	01.09-07.10	110	CDGA
	1.6 FSI	03.05-06.08	85	BLF
Passat (362)	1.4 TSI	08.10-12.14	90	CAXA

ignition coils



< CL003				
VW				
Passat (362)	1.4 TSI	11.12-12.14	118	CTHD
	1.4 TSI EcoFuel	08.10-12.14	110	CDGA
	1.4 TSI MultiFuel	11.10-12.14	118	CKMA
Passat Variant (3C5)	1.4 TSI	05.07-11.10	90	CAXA
	1.4 TSI EcoFuel	01.09-11.10	110	CDGA
	1.6 FSI	08.05-06.08	85	BLF
Passat Variant (365)	1.4 TSI	08.10-12.14	90	CAXA
	1.4 TSI	11.12-12.14	118	CTHD
	1.4 TSI EcoFuel	08.10-12.14	110	CDGA
	1.4 TSI MultiFuel	11.10-12.14	118	CKMA
Polo (9N_)	1.2 12V	10.01-07.07	47	AZQ/BME
	1.2 12V	05.07-11.09	51	BZG
	1.4	06.05-11.09	63	
	1.4 16V	10.01-05.08	55	BBY/BKY
	1.4 16V	05.06-11.09	59	BUD
	1.4 16V	10.01-05.08	74	BBZ
	1.4 FSI	02.02-07.06	63	AXU
Polo (6R, 6C)	1.6 16V	05.06-11.09	77	BTS
	1.2	06.09-	44	CGPB
	1.2	06.09-	51	CGPA
	1.4	06.09-	63	CGGB/CLPA/CDDA
	1.4 BiFuel	03.10-01.11	60	CMAA
	1.4 GTI	05.10-	132	CAVE/CTHE
	1.6 BiFuel	01.11-	60	CNKA
Polo Sedan (9A4)	1.4	07.03-	55	BBY/BKY
	1.4	11.03-	74	BBZ
Polo Sedan	1.6	11.10-	63	CFNB
	1.6	05.10-	77	CFNA/CLSA
Scirocco (137, 138)	1.4 TSI	08.08-	90	CMSB/CAXA
	1.4 TSI	05.08-	118	CTKA/CAVD/CNWA
Sharan (7N1, 7N2)	1.4 TSI	05.10-	110	CTHA/CNWB/CAVA
Tiguan (5N_)	1.4 TSI	08.10-	90	CAXA
	1.4 TSI	05.08-	110	BWK/CTHA/CAVA
	1.4 TSI	05.11-	118	CAVD/CTHD
	1.4 TSI 4motion	09.07-	110	BWK/CTHA/CAVA
	1.4 TSI 4motion	05.11-	118	CAVD/CTHD
Touran (1T1, 1T2)	1.4 FSI	11.06-05.10	125	BLG/CAVB
	1.4 TSI	02.06-05.10	103	BMY
	1.4 TSI EcoFuel	05.09-05.10	110	CDGA
	1.6 FSI	02.03-01.07	85	BLF/BLP/BAG
Touran (1T3)	1.4 TSI	05.10-	103	CTHC/CAVC
	1.4 TSI	05.10-	125	CTHB/CAVB
	1.4 TSI EcoFuel	05.10-	110	CDGA

CL004



1 coil per cylinder

		OEM-No.		
		VW 058 905 101		
		058 905 105		
AUDI				
A3 (8L1)	1.8 T quattro	12.96-05.03	110	AGU
A4 (8D2, B5)	1.8 T	01.95-11.00	110	ARK/AEB/ANB/APU
	1.8 T	12.97-11.00	132	AJL
	1.8 T quattro	01.95-11.00	110	ARK/AEB/ANB/APU
	1.8 T quattro	12.97-11.00	132	AJL
A4 Avant (8D5, B5)	S4 quattro 2.7	09.97-09.01	195	AGB/AZB
	1.8 T	03.96-09.01	110	ARK/AEB/ANB/APU
	1.8 T	12.97-09.01	132	AJL
	1.8 T quattro	01.96-09.01	110	ARK/AEB/ANB/APU

CL004



< CL004

AUDI			
A4 Avant (8D5, B5)	1.8 T quattro	12.97-09.01	132 AJL
	RS4 quattro 2.7	05.00-09.01	280 AZR/ASJ
	S4 quattro 2.7	09.97-09.01	195 AGB/AZB
A6 (4A, C4)	S6 Plus quattro 4.2	04.96-10.97	240 AHK
A6 (4B2, C5)	1.8 T	01.97-01.05	110 ARK/AEB/ANB/APU
	1.8 T	12.97-01.05	132 AJL
	1.8 T quattro	02.97-01.05	110 ARK/AEB/ANB/APU
	1.8 T quattro	12.97-01.05	132 AJL
	2.7 T	02.99-01.05	169 AJK
	2.7 T quattro	12.97-01.05	169 AJK/AZA
A6 Avant (4A, C4)	S6 Plus quattro 4.2	04.96-12.97	240 AHK
A6 Avant (4B5, C5)	1.8 T	12.97-01.05	110 ARK/AEB/ANB/APU
	1.8 T	04.99-01.05	132 AJL
	1.8 T quattro	12.97-01.05	110 ARK/AEB/ANB/APU
	1.8 T quattro	12.97-01.05	132 AJL
	2.7 T	02.99-01.05	169 AJK
	2.7 T quattro	12.97-01.05	169 AJK/AZA
A8 (4D2, 4D8)	3.7	07.95-12.98	169 AEW
	3.7 quattro	07.95-11.98	169 AKJ/AEW
	4.2 quattro	03.94-07.96	180 AEM
	4.2 quattro	03.94-11.98	220 AKG/ABZ
	S 8 quattro 4.2	07.96-06.99	250 AHC/AKH
Allroad (4BH, C5)	2.7 T quattro	05.00-08.05	184 ARE
SEAT			
Alhambra	1.8 T 20V	10.97-03.10	110 AWC/AJH
SKODA			
Octavia (1U2)	1.8 T	08.97-12.10	110 AGU
	1.8 T 4x4	05.01-05.06	110 AGU
Octavia Combi (1U5)	1.8 T	07.98-12.10	110 AGU
	1.8 T 4x4	05.01-05.06	110 AGU
VW			
Bora (1J2)	1.8 T	05.00-05.05	110 AGU
Bora Combi (1J6)	1.8 T	05.00-05.05	110 AGU
Golf IV (1J1)	1.8 T	08.97-06.05	110 AGU
Golf IV Variant (1J5)	1.8 T	05.00-06.06	110 AGU
Passat (3B2)	1.8 T	10.96-11.00	110 AEB/ANB/APU
Passat Variant (3B5)	1.8 T	06.97-11.00	110 AEB/ANB/APU
Sharan (7M_)	1.8 T 20V	09.97-03.10	110 AJH

CL005



1 coil per cylinder

AUDI			
A3 (8L1)	1.8 T	12.98-05.03	132 AJQ/APP
	1.8 T quattro	12.96-07.98	110 ARX
	S3 quattro 1.8	03.99-04.02	154 AMK/APY
A4 (8D2, B5)	S3 quattro 1.8	10.01-05.03	165 BAM
	1.8 T	01.95-11.00	110 AWT
A4 (8E2, B6)	1.8 T quattro	01.95-11.00	110 AWT
	1.8 T	11.00-07.02	110 AVJ
	1.8 T	07.02-12.04	120 BFB
	1.8 T	11.02-12.04	140 BEX
	1.8 T quattro	11.00-07.02	110 AVJ
A4 (8E2, B6)	1.8 T quattro	07.02-12.04	120 BFB

< CL005

AUDI				
A4 (8E2, B6)	1.8 T quattro	11.02-12.04	140 BEX	
A4 (8EC, B7)	1.8 T	11.04-06.08	120 BFB	
	1.8 T quattro	11.04-06.08	120 BFB	
	2.0	11.04-06.08	96 ALT	
	1.8 T	03.96-09.01	110 AWT	
A4 Avant (8D5, B5)	1.8 T quattro	01.96-09.01	110 AWT	
	1.8 T	09.01-07.02	110 AVJ	
A4 Avant (8E5, B6)	1.8 T	07.02-12.04	120 BFB	
	1.8 T	11.02-12.04	140 BEX	
	1.8 T quattro	09.01-07.02	110 AVJ	
	1.8 T quattro	07.02-12.04	120 BFB	
	1.8 T quattro	11.02-12.04	140 BEX	
A4 Avant (8ED, B7)	1.8 T	11.04-06.08	120 BFB	
	1.8 T quattro	11.04-06.08	120 BFB	
	2.0	11.04-06.08	96 ALT	
	1.8 T	07.02-03.09	120 BFB	
A4 Cabriolet	1.8 T quattro	05.03-03.09	120 BFB	
A6 (4B2, C5)	1.8 T	01.97-01.05	110 AWT	
	1.8 T quattro	02.97-01.05	110 AWT	
	2.7 T quattro	08.01-01.05	184 BES	
A6 Avant (4B5, C5)	1.8 T	12.97-01.05	110 AWT	
	1.8 T quattro	12.97-01.05	110 AWT	
	2.7 T quattro	08.01-01.05	184 BES	
	1.8 T	09.02-06.06	110 AUM	
TT (8N3)	1.8 T	09.05-06.06	120 BVP	
	1.8 T	09.00-06.06	132 APP/AUQ	
	1.8 T	09.05-06.06	140 BVR	
	1.8 T quattro	10.98-06.06	132 ARY	
	1.8 T quattro	09.05-06.06	140 BVR	
	1.8 T quattro	10.98-06.06	165 BAM	
	1.8 T quattro	03.05-06.06	176 BFB	
	TT Roadster (8N9)	1.8 T	01.01-06.06	110 AUM
		1.8 T	09.05-06.06	120 BVP
		1.8 T	09.00-06.06	132 APP/AUQ
1.8 T		09.05-06.06	140 BVR	
1.8 T quattro		02.00-06.06	132 ARY	
1.8 T quattro		09.05-06.06	140 BVR	
	1.8 T quattro	10.99-06.06	165 BAM/APX	

SEAT

Cordoba (6K2)	1.8 T 20V Cupra	07.00-10.02	115 AYP/AQX
Ibiza III (6K1)	1.8 T 20V Cupra	07.00-02.02	115 AYP/AQX
Ibiza IV (6L1)	1.8 T Cupra R	01.04-02.08	132 BBU/BLZ
	1.8 T FR	12.03-05.08	110 BKV/BJX
Leon (1M1)	1.8 20VT	11.99-06.06	132 APP/AUQ
	1.8 20VT 4	11.99-06.06	132 ARY
	1.8 T Cupra R	02.02-06.06	154 AMK
	1.8 T Cupra R	07.03-06.06	165 BAM
Toledo II (1M2)	1.8 20VT	09.00-07.04	132 APP/AUQ

SKODA

Octavia (1U2)	1.8 T	08.97-12.10	110 ARX/ARZ/AUM
	1.8 T 4x4	05.01-05.06	110 ARX/AUM
	1.8 T RS	05.01-01.06	132 AUQ
Octavia Combi (1U5)	1.8 T	07.98-12.10	110 ARX/ARZ/AUM
	1.8 T 4x4	05.01-05.06	110 ARX/AUM
	1.8 T RS	08.02-01.06	132 AUQ
Superb (3U4)	1.8 T	12.01-03.08	110 AWT

VW

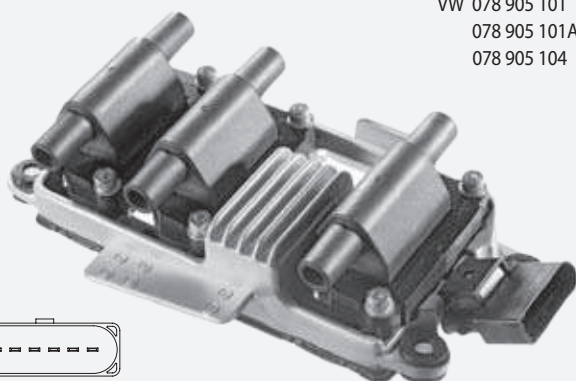
Bora (1J2)	1.8 T	05.00-05.05	110 ARX/AUM
	1.8 T	03.02-05.05	132 AUQ
Bora Combi (1J6)	1.8 T	05.00-05.05	110 ARX/AUM
	1.8 T	05.02-05.05	132 AUQ
Golf IV (1J1)	1.8 T	08.97-06.05	110 AUM
	1.8 T GTI	08.01-06.05	132 AUQ
Golf IV Variant (1J5)	1.8 T	05.00-06.06	110 AUM
New Beetle	1.8 T	10.99-09.10	110 AWW/APH/AVC/AWU
New Beetle Cabrio	1.8 T	01.03-09.10	110 AWU
	1.8 T 20V	11.00-05.05	110 AWT/AWL
Passat (3B3)	2.0	11.01-05.05	96 ALT
	1.8 T 20V	11.00-05.05	110 AWT
Passat Variant (3B6)	2.0	11.01-05.05	96 ALT
	1.8 T 20V	11.00-05.05	110 AWT
Polo (9N_)	1.8 GTI	09.05-11.09	110 BJB

< CL005
VW

Polo (9N_) 1.8 GTi Cup Edition 05.06-11.09 132 BBU

CL006

PIN	OEM-No.
	VW 078 905 101
	078 905 101A
	078 905 104


AUDI

80 (8C, B4)	2.6	07.92-12.94	110	ABC
	2.6 quattro	06.92-12.94	110	ABC
	2.8	09.91-12.94	128	AAH
	2.8 quattro	09.91-12.94	128	AAH
80 Avant (8C, B4)	2.6	07.92-01.96	110	ABC
	2.6 quattro	07.92-07.95	110	ABC
	2.8	09.91-01.96	128	AAH
	2.8 quattro	08.92-07.95	128	AAH
100 (4A, C4)	2.6	07.93-06.94	102	ACZ
	2.6	03.92-06.94	110	ABC
	2.6 quattro	04.92-06.94	110	ABC
	2.6 E quattro	08.93-07.94	102	ACZ
	2.8 E	12.90-06.94	128	AAH
100 Avant (4A, C4)	2.6	07.93-06.94	102	ACZ
	2.6	03.92-06.94	110	ABC
	2.6 quattro	07.92-06.94	110	ABC
	2.6 E quattro	08.93-07.94	102	ACZ
A4 (8D2, B5)	2.8 E	09.91-06.94	128	AAH
	2.8 E quattro	09.91-06.94	128	AAH
	2.4	03.97-11.00	121	AML/ARJ/AGA/APS
	2.4	08.97-11.00	120	AMM/APZ/AJG
A4 (8E2, B6)	2.4 quattro	03.97-11.00	121	AML/ARJ/AGA/APS
	2.4 quattro	08.97-11.00	120	APZ
	2.6	01.95-07.98	110	ABC
	2.6 quattro	01.95-07.98	110	ABC
	2.8	10.96-11.00	142	APR/ALG/AHA/AQD
	2.8 quattro	10.96-08.01	142	APR/ALG/AHA/AQD
	2.4	09.01-12.04	125	BDV
	2.4	09.01-12.04	120	AMM
	2.4	03.97-09.01	121	AML/ARJ/AGA/APS
	2.4	08.97-09.01	120	AMM/APZ/AJG
A4 Avant (8D5, B5)	2.4 quattro	03.97-09.01	121	AML/ARJ/AGA/APS
	2.4 quattro	08.97-09.01	120	APZ
	2.6	02.96-07.98	110	ABC
	2.6 quattro	01.96-07.98	110	ABC
	2.8	10.96-09.01	142	APR/ALG/AHA/AQD
A4 Avant (8E5, B6)	2.8 quattro	10.96-09.01	142	APR/ALG/AHA/AQD
	2.4	09.01-12.04	120	AMM
A4 Cabriolet (8H_, B_)	2.4	09.01-12.04	125	BDV
	2.4	04.02-12.05	120	AMM
A6 (4A, C4)	2.4	04.02-12.05	125	BDV
	2.4	04.02-12.05	125	BDV
A6 (4B2, C5)	2.6	06.94-10.97	110	ABC
	2.6 quattro	06.94-10.97	110	ABC
	2.8	12.95-10.97	142	ACK
	2.8 quattro	12.95-10.97	142	ACK
A6 (4B2, C5)	2.4	07.98-01.05	100	ARN/ASM/ALW
	2.4	02.97-01.05	115	APC
	2.4	02.97-01.05	120	AMM/APZ/AJG
	2.4	02.97-01.05	121	AML/ARJ/AGA/APS
2.4	08.01-01.05	125	BDV	

< CL006
AUDI

A6 (4B2, C5)	2.4 quattro	08.98-07.99	115	APC	
	2.4 quattro	02.97-01.05	120	APZ/AJG	
	2.4 quattro	02.97-01.05	121	AML/ARJ/AGA/APS	
	2.4 quattro	08.01-01.05	125	BDV	
	2.7 T quattro	08.01-01.05	184	BES/ARE	
	2.8	10.97-05.00	132	AGE	
	2.8	07.99-01.05	140	ATX	
	2.8	02.97-01.05	142	APR/ALG/AHA/AQD	
	2.8 quattro	01.98-04.00	132	AGE	
	2.8 quattro	02.97-01.05	142	APR/ALG/AHA/AQD	
	A6 Avant (4A, C4)	2.6	06.94-12.97	110	ABC
		2.6 quattro	06.94-12.97	110	ABC
		2.8	12.95-12.97	142	ACK
		2.8 quattro	12.95-12.97	142	ACK
A6 Avant (4B5, C5)	2.4	12.97-01.05	121	AML/ARJ/AGA/APS	
	2.4	07.98-01.05	100	ARN/ASM/ALW	
	2.4	12.97-01.05	115	APC	
	2.4	08.01-01.05	125	BDV	
	2.4	12.97-01.05	120	AMM/APZ/AJG	
	2.4 quattro	12.97-01.05	121	AML/ARJ/AGA/APS	
	2.4 quattro	08.01-01.05	125	BDV	
	2.4 quattro	12.97-01.05	120	APZ/AJG	
	2.4 quattro	08.98-05.01	115	APC	
	2.8	12.97-05.00	132	AGE	
	2.8	07.99-01.05	140	ATX	
	2.8	12.97-01.05	142	APR/ALG/AHA/AQD	
	2.8 quattro	12.97-01.05	142	APR/ALG/AHA/AQD	
	A8 (4D2, 4D8)	2.8	04.96-09.02	142	APR/ACK/AQD/AMX
2.8 quattro		04.96-09.02	142	APR/ACK/AQD/AMX	
Cabriolet (8G7, B4)	2.6	06.93-08.00	110	ABC	
	2.8	11.92-08.00	128	AAH	
Coupe (89, 8B)	2.6	08.92-12.96	110	ABC	
	2.6 quattro	08.92-12.96	110	ABC	
	2.8	09.91-12.96	128	AAH	
	2.8 quattro	08.91-12.96	128	AAH	

SKODA

Superb (3U4)	2.8 V6	12.01-03.08	142	AMX
Passat (3B2)	2.8 Syncro	05.97-09.99	132	AGE
	2.8 V6	05.97-09.99	132	AGE
	2.8 V6	09.99-11.00	140	BBG
	2.8 V6	08.96-11.00	142	APR/ACK/AHA/AQD
	2.8 V6 Syncro	10.96-11.00	142	APR/ACK/AHA/AQD
Passat (3B3)	2.8	05.02-05.03	142	ATQ/AMX
	2.8 4motion	11.00-05.05	142	ATQ/AMX
Passat Variant (3B5)	2.8 Syncro	05.97-09.99	132	AGE
	2.8 V6	09.97-09.99	132	AGE
	2.8 V6	06.97-11.00	142	APR/ACK/AHA/AQD
	2.8 V6 Syncro	06.97-11.00	142	APR/ACK/AHA/AQD
Passat Variant (3B6)	2.8 4motion	11.00-05.05	142	ATQ/AMX

CL007

 OEM-No.
 SKODA 047 905 104 A
 SKODA 047 905 104 B

SEAT

Arosa (6H)	1.0	10.98-01.01	37	AHT
Fabia (6Y2)	1.0	12.99-08.02	37	AQV/ARV
	1.4	08.00-08.02	44	AZF/AZE

CL007

< CL007

SKODA

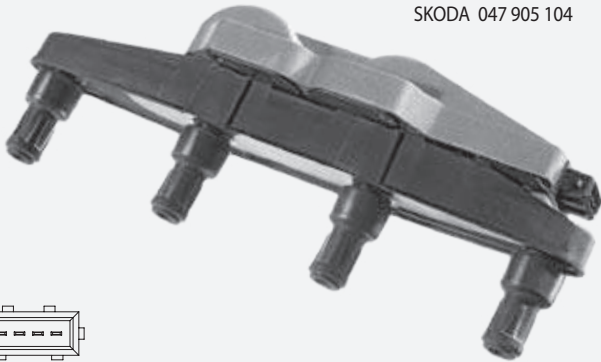
Fabia (6Y2)	1.4	08.99-05.03	50	AME/ATZ/AQW
Fabia Combi (6Y5)	1.4	04.00-03.03	44	AZF/AZE
	1.4	04.00-05.03	50	AME/ATZ/AQW
Fabia Praktik	1.4	07.01-05.03	50	AME/ATZ/AQW
Fabia Sedan (6Y3)	1.4	04.00-08.02	44	AZF/AZE
	1.4	07.01-05.03	50	AME/ATZ/AQW
Octavia (1U2)	1.4	04.99-03.01	44	AMD

VW

Lupo (6X1, 6E1)	1.0	10.98-05.00	37	AHT
-----------------	-----	-------------	----	-----

CL008

OEM-No.
SKODA 047 905 104

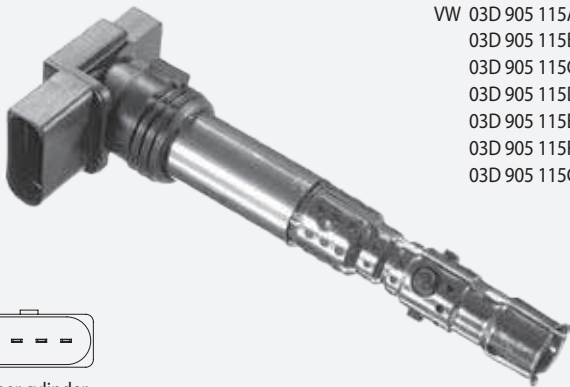


SKODA

Felicia II (6U1)	1.3	01.98-06.01	40	AMG
	1.3	01.98-06.01	43	AMJ
	1.3	01.98-06.01	50	AMH
Felicia II Combi	1.3	01.98-06.01	50	AMH

CL009

OEM-No.
VW 03D 905 115A
03D 905 115B
03D 905 115C
03D 905 115D
03D 905 115E
03D 905 115F
03D 905 115G



1 coil per cylinder

SEAT

Ibiza IV (6L1)	1.2	06.07-05.08	44	BBM
----------------	-----	-------------	----	-----

SKODA

Fabia (6Y2)	1.2	08.02-03.08	40	AWY/BMD
Fabia	1.2	12.06-12.14	44	BBM/CHFA
	1.2 12V	11.11-12.14	44	CGPB
Fabia Combi (6Y5)	1.2	07.01-12.07	40	AWY/BMD
Fabia Combi	1.2	10.07-11.14	44	BBM/CHFA
	1.2 12V	11.11-12.14	44	CGPB
Fabia Praktik	1.2	07.01-12.07	40	AWY/BMD
Fabia Sedan (6Y3)	1.2	07.01-12.07	40	AWY/BMD

VW

Fox (5Z1, 5Z3)	1.2	04.05-	40	BMD/CHFB
	1.2	09.10-	44	CHFA
Polo (9N_)	1.2	01.02-05.07	40	AWY/BMD
	1.2	05.07-11.09	44	BBM

ignition coils

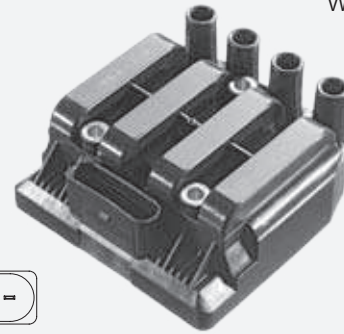


CL010

PIN

OEM-No.

VW 06A 905 097
06A 905 104



SKODA

Octavia Combi (1U5)	2.0	04.99-05.07	85	AZJ
	2.0 4x4	08.00-09.04	85	AZJ

VW

Bora (1J2)	2.0	10.98-05.05	85	AZJ/AZG
	2.0 4motion	04.00-05.05	85	AZJ
Bora Combi (1J6)	2.0	05.99-05.05	85	AZJ/AZG
	2.0 4motion	04.00-05.05	85	AZJ
Caddy III Combi	2.0 EcoFuel	04.06-	80	BSX
Caddy III Van	2.0 EcoFuel	04.06-	80	BSX
Golf IV (1J1)	2.0	07.98-05.04	85	AZJ/AZG
	2.0 4motion	10.00-06.05	85	AZJ
Golf IV Variant (1J5)	2.0	05.99-06.06	85	AZJ
	2.0 4motion	10.00-06.06	85	AZJ
	2.0 BiFuel	02.02-06.06	85	BEH
New Beetle	2.0	01.98-09.10	85	AZG
New Beetle Cabrio	2.0	09.02-10.10	85	AZJ
Touran (1T1, 1T2)	2.0 EcoFuel	02.06-05.09	80	BSX

CL011

OEM-No.

VAG 06F 905 115
06F 905 115 A
06F 905 115 B
06F 905 115 C
06F 905 115 E
06F 905 115 F
07K 905 715



1 coil per cylinder

AUDI

A1 (8X1, 8XF)	2.0 TFSI quattro	03.12-	188	CDLH
A3 (8P1)	1.8 TFSI	11.06-08.12	118	BZB/CDA/BBT
	1.8 TFSI quattro	07.08-08.12	118	CDA
	2.0 FSI	05.03-06.08	110	BLX/BLY/AXW/BVY
	2.0 TFSI	09.04-08.12	147	BWA/AXX/CAWB
	2.0 TFSI quattro	09.04-08.12	147	BWA/AXX
	S3 quattro	11.06-08.12	195	BHZ/CDLA
A3 Cabriolet (8P7)	1.8 TFSI	04.08-05.13	118	BZB/CDA
	2.0 TFSI	04.08-05.13	147	CCZA/CAWB
A3 Sportback (8PA)	1.8 TFSI	11.06-03.13	118	BZB/CDA/BBT
	1.8 TFSI quattro	07.08-03.13	118	CDA
	2.0 FSI	09.04-06.08	110	BLX/BLY/AXW/BVY
	2.0 TFSI	09.04-03.13	147	BWA/AXX/CAWB
	2.0 TFSI quattro	09.04-03.13	147	BWA/AXX
	RS3 quattro	01.11-12.12	250	CEPA
	S3 quattro 2.0	06.08-03.13	195	BHZ/CDLA
	S3 quattro 2.0	07.08-03.13	188	CDLC
A3 Sportback (8VA)	RS3 quattro	03.15-	270	
A4 (8EC, B7)	2.0 TFSI	11.04-06.08	147	BGB/BWE
	2.0 TFSI	06.05-06.08	162	BUL
	2.0 TFSI	10.06-06.08	125	BPJ/BYK

< CL011
AUDI

A4 (8EC, B7)	2.0 TFSI quattro	11.04-06.08	147	BGB/BWE
	2.0 TFSI quattro	06.05-06.08	162	BUL
	RS4 quattro 4.2	09.05-06.08	309	BNS
A4 (8K2, B8)	1.8 TFSI	01.08-	88	CABA/CDHA
	1.8 TFSI	11.07-	118	CDHB/CABB
	1.8 TFSI quattro	09.08-	118	CDHB
	2.0 TFSI	06.08-	132	CDNB/CFKA/CAEA
	2.0 TFSI	06.08-	155	CAEB/CDNC
	2.0 TFSI flex. fuel	11.09-	132	CFKA
	2.0 TFSI flex. quattro	11.09-	132	CFKA
	2.0 TFSI quattro	06.08-	155	CAEB/CPMA/CDNC
A4 Allroad (8KH, B8)	2.0 TFSI quattro	04.09-	155	CPMA/CDNC
	2.0 TFSI quattro	05.13-	162	CPMB
A4 Avant (8ED, B7)	2.0 TFSI	10.06-06.08	125	BPJ/BYK
	2.0 TFSI	11.04-06.08	147	BGB/BWE
	2.0 TFSI	06.05-06.08	162	BUL
	2.0 TFSI quattro	11.04-06.08	147	BWT/BGB/BWE
	2.0 TFSI quattro	06.05-06.08	162	BUL
A4 Avant (8K5, B8)	1.8 TFSI	04.08-	88	CDHA
	1.8 TFSI	11.07-	118	CDHB/CABB
	1.8 TFSI quattro	09.08-	118	CDHB
	2.0 TFSI	06.08-	132	CDNB/CFKA/CAEA
	2.0 TFSI	06.08-	155	CAEB/CDNC
	2.0 TFSI flexible fuel	11.09-	132	CFKA
	2.0 TFSI flex quattro	11.09-	132	CFKA
A4 Cabriolet (8H_ B_)	2.0 TFSI 16V	01.06-03.09	147	BWE
	RS4 quattro 4.2	06.06-03.09	309	BNS
	1.8 TFSI	05.09-	118	CDHB
A5 (8T3)	1.8 TFSI	10.07-	125	CABD/CJEB
	2.0 TFSI	11.08-	132	CDNB
	2.0 TFSI	06.08-	155	CDNC
	2.0 TFSI quattro	06.08-	155	CAEB/CDNC
	2.0 TFSI quattro	03.12-	162	CPMB/CAED
	RS 5 quattro 4.2	03.10-	331	CFSA
	1.8 TFSI	09.09-	118	CDHB
	2.0 TFSI	03.09-	132	CDNB/CAEA
A5 Cabriolet (8F7)	2.0 TFSI	03.09-	155	CAEB/CDNC
	2.0 TFSI	05.13-	162	CAED
	2.0 TFSI quattro	03.09-	155	CAEB/CDNC
	2.0 TFSI quattro	03.12-	162	CPMB
A5 Sportback (8TA)	1.8 TFSI	11.09-	118	CDHB
	2.0 TFSI	09.09-	132	CDNB
	2.0 TFSI	09.09-	155	CDNC
	2.0 TFSI quattro	09.09-	155	CDNC
A6 (4F2, C6)	2.0 TFSI	06.05-03.11	125	BPJ
A6 (4G2, C7, 4GC)	2.0 TFSI	05.11-	132	CDNB
	2.0 TFSI	03.11-05.13	155	CAEB
A6 Avant (4F5, C6)	2.0 TFSI	06.05-08.11	125	BPJ
	2.0 TFSI	06.11-	132	CDNB
Q3 (8U)	2.0 TFSI quattro	06.11-	125	CCZC
	2.0 TFSI quattro	06.11-	155	CPSA
	RS 2.5 quattro	05.13-	250	CZGA
Q5 (8R)	2.0 TFSI quattro	08.09-	132	CDNB/CNCB
	2.0 TFSI quattro	11.08-	155	CAEB/CPMA/CDNC
	3.2 FSI quattro	11.08-	199	CALB
R8	5.2 FSI quattro	11.10-07.15	412	CMPA
R8 Spyder	5.2 FSI quattro	11.11-07.15	412	CMPA
TT (8J3)	1.8 TFSI	06.08-06.14	118	CDAА
	2.0 TFSI	08.06-06.10	147	BWA/BPY/CCTA
	2.0 TFSI	05.10-06.14	155	CESA
	2.0 TFSI quattro	06.08-06.10	147	BWA/CCZA
	2.0 TFSI quattro	05.10-06.14	155	CETA/CESA
	2.0 TTS quattro	05.08-06.14	195	CDMA/CDLA
	2.0 TTS quattro	05.08-06.14	200	CDLB
	2.5 RS quattro	07.09-06.14	250	CEPA
	2.5 RS quattro	05.11-06.14	265	CEPB
	TT Roadster (8J9)	1.8 TFSI	06.08-06.14	118
2.0 TFSI		03.07-06.10	147	BWA/BPY/CCTA
2.0 TFSI		05.10-06.14	155	CESA

< CL011
AUDI

TT Roadster (8J9)	2.0 TFSI quattro	06.08-06.10	147	CCZA
	2.0 TFSI quattro	05.10-06.14	155	CETA/CESA
	2.0 TTS quattro	05.08-06.14	195	CDMA/CDLA
	2.0 TTS quattro	05.08-06.14	200	CDLB
	2.5 RS quattro	07.09-06.14	250	CEPA

SEAT

Alhambra (710, 711)	1.8 TFSI	11.12-	118	CDAА
	2.0 TSI	11.10-	147	CCZA
Altea (5P1)	1.8 TFSI	01.07-	118	BZB/CDAA/BYT
	2.0 FSI	05.04-03.09	110	BLR/BLY/BVZ/BVY
	2.0 TFSI	04.06-05.09	147	BWA
Altea XL (5P5, 5P8)	1.8 TFSI	01.07-	118	BZB/CDAA/BYT
	2.0 FSI	10.06-03.09	110	BVZ/BVY
	2.0 TFSI 4x4	06.07-05.09	147	BWA
Exeo (3R2)	2.0 TFSI 4x4	05.09-	155	CCZB
	1.8 TSI	05.10-	118	CDHB
	2.0 TFSI	03.09-	147	BWE
Exeo ST (3R5)	2.0 TFSI	05.10-	155	CDND
	1.8 TSI	09.10-	88	CDHA
	1.8 TSI	05.10-	118	CDHB
Leon (1P1)	2.0 TFSI	06.09-	147	BWE
	2.0 TFSI	05.10-	155	CDND
	1.8 TSI	06.07-	118	BZB/CDAA
	2.0 Cupra R	09.09-	195	CDLA
	2.0 FSI	07.05-05.10	110	BLR/BLY/BVZ/BVY
	2.0 TFSI	09.05-05.06	136	BWA1
Toledo III (5P2)	2.0 TFSI	05.05-03.09	147	BWA
	2.0 TFSI	06.09-	155	CCZB
	2.0 TFSI	11.06-	177	BWJ/CDLD
	1.8 TFSI	01.07-05.09	118	BZB/CDAA/BYT
	2.0 FSI	10.04-05.09	110	BLR/BLY/BVZ/BVY
	2.0 TFSI	11.05-05.09	147	BWA

SKODA

Octavia (1Z3)	1.8 TSI	06.07-04.13	118	BZB/CDAA
	2.0 FSI	11.04-10.08	110	BLY/BLR/BVZ/BVY
	2.0 RS	10.05-02.13	147	BWA/CCZA
Octavia Combi (1Z5)	1.8 TSI	06.07-04.13	118	BZB/CDAA
	1.8 TSI 4x4	11.08-02.13	118	CDAА
	2.0 FSI	11.04-10.08	110	BLY/BLR/BVZ/BVY
	2.0 FSI 4x4	11.04-10.08	110	BVX/BLX
	2.0 RS	10.05-02.13	147	BWA/CCZA
Superb (3T4)	1.8 TSI	03.08-	118	BZB/CDAA
	1.8 TSI 4x4	11.08-	118	CDAА
	2.0 TSI	05.10-	147	CCZA
Superb Combi (3T5)	1.8 TSI	10.09-	118	CDAА
	1.8 TSI 4x4	10.09-	118	CDAА
	2.0 TSI	05.10-	147	CCZA
Yeti (5L)	1.8 TSI 4x4	11.09-	112	CDAB
	1.8 TSI 4x4	05.09-	118	CDAА

VW

Amarok (2H_ S1B)	2.0 TSI	12.10-	118	CFPA
Beetle (5C1)	2.0 TSI	04.11-	147	CBFA/CCZA/CCTA
	2.5	04.11-	125	CCCA/CBUA/CBTA
Beetle Cabriolet	2.0 TSI	12.12-	147	CBFA/CCZA/CCTA
CC (358)	1.8 TSI	11.11-	118	CDAА
	2.0 TSI	11.11-	155	CCZB
Eos (1F7, 1F8)	2.0 FSI	03.06-05.08	110	BVZ/BVY
	2.0 TFSI	03.06-	147	BWA
	2.0 TSI	11.09-	155	CCZB
Golf V (1K1)	2.0 FSI	01.04-11.08	110	BVX/BLX//AXW/BVY
	2.0 FSI 4motion	08.04-11.08	110	BVX/BLX
	2.0 GTI	10.04-02.09	147	BWA/AXX
	2.0 GTI	09.06-12.08	169	BYD
Golf V Variant (1K5)	2.0	06.07-07.09	147	BWA/CAWB/CCTA
Golf VI (5K1)	1.8 TSI	06.09-01.11	118	CDAА
	2.0 GTI	04.09-11.12	155	CCZB
	2.0 R 4motion	11.09-11.13	188	CRZA/CDLC
	2.0 R 4motion	11.09-11.12	199	CDLF
Golf VI Cabriolet	2.0 GTI	11.11-	155	CCZB
Golf Plus (5M1, 521)	2.0 FSI	05.05-06.08	110	BLY/BLR/BVZ/BVY
Jetta III (1K2)	2.0 FSI	08.05-10.10	110	BLX/_Y/_R/BVZ/BVY

CL011

< CL011

VW

Jetta III (1K2)	2.0 TFSI	03.08-10.10	125	CAWA
	2.0 TFSI	10.05-10.10	147	BWA/BPY/AXX/CBFA
	2.5 FSI	01.06-10.10	110	BTK/BGP
	2.5 FSI	07.08-10.10	125	CCCA/CBUA/CBTA
Jetta IV (162, 163)	2.0 TSI	12.10-	147	CBFA/CCZA/CCTA
	2.5 FSI	04.10-	125	CCCA/CBUA/CBTA
Multivan T6	2.0 TSI	04.15--	110	CJKB
	2.0 TSI	04.15--	150	CJKB
	2.0 TSI 4motion	06.15--	150	CJKA
New Beetle	2.5	07.05-09.10	110	BPS/BPR
New Beetle Cabrio	2.5	07.05-09.10	110	BPS/BPR
Passat (3C2)	1.8 TSI	05.07-07.10	118	BZB/CDA A
	2.0 FSI	03.05-07.10	110	BLY/BLR/BVZ/BVY
	2.0 FSI	07.05-07.10	147	BWA/BPY/AXX/CBFA
	2.0 FSI 4motion	09.05-07.10	110	BVX/BLX/BLY
Passat (362)	1.8 TSI	08.10-12.14	118	CDA A
	2.0 TSI	11.10-12.14	155	CCZB
Passat Alltrack (365)	1.8 TSI	01.12-	112	CDAB
	1.8 TSI	01.12-	118	CDA A
	2.0 TSI 4motion	01.12-	155	CCZB
Passat CC (357)	1.8 TSI	06.08-11.10	118	BZB/CDA A
	2.0 TSI	06.08-01.12	147	CBFA/CCZA/CAWB
Passat Variant (3C5)	1.8 TSI	05.07-10.11	118	BZB/CDA A
	2.0 FSI	08.05-11.10	110	BLY/BLR/BVZ/BVY
	2.0 FSI	08.05-11.10	147	BWA/BPY/AXX/CBFA
	2.0 FSI 4motion	09.05-11.10	110	BVX/BLX/BLY
Passat Variant (365)	1.8 TSI	08.10-12.14	118	CDA A
	2.0 TSI	11.10-12.14	155	CCZB
Polo (6R, 6C)	2.0 R WRC	08.13-	162	CDLJ
Scirocco (137, 138)	2.0 R	11.09-	188	CDLC
	2.0 R	11.09-	195	CDLA
	2.0 R	05.14-	206	CDLK
	2.0 TSI	05.08-11.09	147	CAWB
	2.0 TSI	11.09-	155	CCZB
Sharan (7N1, 7N2)	2.0 TSI	12.10-	147	CCZA
Tiguan (5N_)	2.0 TFSI 4motion	09.07-	125	CAWA/CCZC
	2.0 TFSI 4motion	09.07-	147	CCZA/CAWB/CCTA
	2.0 TSI 4motion	05.11-	132	CCZD
	2.0 TSI 4motion	05.11-	155	CCZB
Touran (1T1, 1T2)	2.0 FSI	10.03-11.05	110	BLX/AXW/BVZ/BVY
Transporter T6 Bus	2.0 TSI	04.15-	110	CJKB
	2.0 TSI	04.15-	150	CJKA
	2.0 TSI 4motion	06.15-	150	CJKA
Transporter T6 Van	2.0 TSI	04.15-	110	CJKB
	2.0 TSI	04.15-	150	CJKA
	2.0 TSI 4motion	06.15-	150	CJKA
Transporter T6 Flatbed	2.0 TSI	04.15-	110	CJKB

CL012

DIN OEM-No.
SKODA 115 914 010



SKODA

130 L, GL	1.3	02.85-10.91	45	742.13
130 GL	1.3	08.87-10.91	39	
130 GL (S135)	1.3	05.88-10.91	43	135/8
130 G, GL (S136)	1.3	05.88-10.91	46	
Favorit (781)	1.3 carb	07.91-	43	781.135
	1.3 carb	09.88-07.91	46	781.136

ignition coils



< CL012

SKODA

Favorit (781)	1.3 carb	03.93-09.94	50	781.136X
Favorit Forman (785)	1.3 carb	07.91-	43	781.135
	1.3 carb	09.88-07.91	46	781.136
	1.3 carb	03.93-09.94	50	781.136X
Favorit Pick-up (787)	1.3 carb	07.91-	43	781.135
	1.3 carb	09.88-07.91	46	781.136
	1.3 carb	03.93-09.94	50	781.136X
Rapid (120G, 130G)	1.3 (130G)	08.87-10.91	39	
	1.3 (130G)	03.85-08.88	45	742.13
	1.3 S (135GL)	09.84-12.90	43	135/8

CL013

PIN OEM-No.
SKODA 047 905 115



SKODA

Felicia I (6U1)	1.3	10.94-03.98	43	AMJ/135 L
Felicia I Combi (6U5)	1.3	08.95-03.98	43	AMJ/135 L

CL014

OEM-No.
VW 06B905105
06B905115
06B905115B
06B905115E



1 coil per cylinder

AUDI

A3 (8L1)	1.8 T	12.96-05.03	110	ARZ/AQA/AGU/AUM
	1.8 T	12.98-05.03	132	ARY/AUQ
	1.8 T quattro	08.98-04.01	110	AQA
	1.8 T quattro	10.98-05.03	132	AJQ/ARY
A6 (4B2, C5)	1.8	07.97-01.05	92	ANQ/ARH/AJP/AQE
	3.7	03.99-01.05	191	AQG
	3.7 quattro	03.99-01.05	191	AQG
	4.2 quattro	11.98-01.05	220	AWN/ARS/ASG
	RS6 quattro 4.2	07.02-01.05	331	BCY
	S6 quattro 4.2	09.99-01.05	250	AQJ/ANK
A6 Avant (4B5, C5)	1.8	12.97-01.05	92	ARH/AJP/AQE
	3.7	03.99-01.05	191	AQG
	3.7 quattro	03.99-01.05	191	AQG
	4.2 quattro	11.98-01.05	220	AWN/ARS/ASG
	RS6 plus quattro 4.2	04.04-01.05	353	BRV
	RS6 quattro 4.2	07.02-01.05	331	BCY
A8 (4D2, 4D8)	S6 quattro 4.2	09.99-01.05	250	AQJ/ANK
	3.7	11.98-09.02	191	AKC/AQG
	3.7 quattro	11.98-09.02	191	AKC/AQG
	4.2 quattro	02.99-04.00	175	ARU
	4.2 quattro	11.98-09.02	228	AUW/AQF/AUX
	S 8 quattro 4.2	06.99-09.02	265	AQH/AVP

< CL014
AUDI

TT (8N3)	1.8 T	09.02-06.06	110	AUM
	1.8 T	10.98-08.00	132	AJQ/APP
	1.8 T quattro	10.98-06.06	132	AJQ
	1.8 T quattro	10.98-06.06	165	APX
TT Roadster (8N9)	1.8 T	10.99-08.00	132	AJQ/APP

VW

Sharan (7M_)	1.8 T 20V	04.00-03.10	110	AWC
--------------	-----------	-------------	-----	-----

CL015


1 coil per cylinder

AUDI

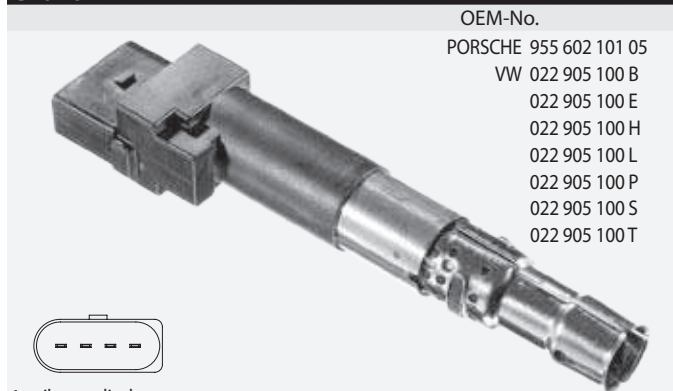
A4 (8E2, B6)	2.0 FSI	07.02-12.04	110	AWA	
	3.2 FSI	01.05-06.08	188	AUK	
	3.2 FSI quattro	01.05-06.08	188	AUK/BKH	
A4 Avant (8E5, B6)	2.0 FSI	07.02-12.04	110	AWA	
	3.2 FSI	01.05-06.08	188	AUK	
	3.2 FSI quattro	01.05-06.08	188	AUK	
A5 (8T3)	3.0 TFSI quattro	12.11-	200	CMUA	
	S5 quattro 3.0	10.11-	245	CGWC/CTDA/CTUB	
A5 Cabriolet (8F7)	3.0 TFSI quattro	11.11-	200	CMUA	
A5 Sportback (8TA)	3.0 TFSI quattro	12.11-	200	CMUA	
A6 (4B2, C5)	2.0	08.01-01.05	96	ALT	
	2.4	05.04-10.08	130	BDW	
A6 (4F2, C6)	2.4 quattro	01.05-10.08	130	BDW	
	2.8 FSI	10.08-03.11	140	CCDA	
	2.8 FSI	11.06-10.08	154	BDX	
	2.8 FSI	10.08-03.11	162	CCEA	
	2.8 FSI quattro	10.08-03.11	140	CCDA	
	2.8 FSI quattro	06.07-10.08	154	BDX	
	2.8 FSI quattro	10.08-03.11	162	CCEA	
	3.0 TFSI quattro	10.08-03.11	213	CAJA	
	3.2 FSI	05.04-05.09	188	AUK/BKH	
	3.2 FSI quattro	05.04-10.08	188	AUK/BKH	
	4.2 FSI quattro	06.06-03.11	257	BJV	
	RS6 quattro 5.0	09.08-08.10	426	BUH	
	S6 quattro 5.2	03.06-03.11	320	BXA	
	A6 (4G2, C7, 4GC)	2.8 FSI	03.11-	150	CHVA
		2.8 FSI quattro	03.11-	150	CHVA
		3.0 TFSI quattro	11.10-05.12	220	CGWB
		3.0 TFSI quattro	03.11-	228	CGWD/CGXB/CTUA
	A6 Allroad (4FH, C6)	3.0 TFSI quattro	09.14-	245	CREC
		3.0 TFSI quattro	10.08-08.11	213	CAJA
		3.2 FSI quattro	05.06-10.08	188	AUK
A6 Allroad (4GH, 4GJ)	4.2 FSI quattro	05.06-12.10	257	BJV	
	3.0 TFSI quattro	01.12-	228	CGWD	
A6 Avant (4B5, C5)	3.0 TFSI quattro	09.14-	245	CREC	
	2.0	08.01-01.05	96	ALT	
A6 Avant (4F5, C6)	2.4	03.05-10.08	130	BDW	
	2.4 quattro	03.05-10.08	130	BDW	
	2.8 FSI	10.08-08.11	140	CCDA	
	2.8 FSI	11.06-10.08	154	BDX	
	2.8 FSI	10.08-08.11	162	CCEA	
	2.8 FSI quattro	10.08-08.11	140	CCDA	
	2.8 FSI quattro	06.07-10.08	154	BDX	
	2.8 FSI quattro	10.08-08.11	162	CCEA	
	3.0 TFSI quattro	10.08-08.11	213	CAJA	
	3.0 TFSI quattro	10.08-08.11	220	CCAA	

< CL015
AUDI

A6 Avant (4F5, C6)	3.2 FSI	03.05-10.08	188	AUK
	3.2 FSI quattro	03.05-10.08	188	AUK
	4.2 FSI quattro	06.06-08.11	257	BJV
	RS6 quattro 5.0	04.08-08.10	426	BUH
	S6 quattro 5.2	03.06-08.11	320	BXA
	A6 Avant (4G5, C7)	2.8 FSI	05.11-	150
2.8 FSI quattro		05.11-	150	CHVA
3.0 TFSI quattro		05.11-05.12	220	CGWB
3.0 TFSI quattro		11.11-	228	CGWD
3.0 TFSI quattro		09.14-	245	CREC
A7 Sportback		2.8 FSI	02.11-	150
	2.8 FSI quattro	10.10-	150	CHVA/CNYA
	3.0 TFSI quattro	10.10-	220	CGWB/CHMA
	3.0 TFSI quattro	01.11-	228	CTTA/CGWD/CGXB
	3.0 TFSI quattro	05.14-	245	CREC
	A8 (4E_)	2.8 FSI	08.07-07.10	154
3.2 FSI		06.05-07.10	191	BPK
3.2 FSI quattro		06.05-07.10	191	BPK
4.2 FSI quattro		06.06-07.10	257	BJV
S8 quattro 5.2		06.06-07.10	331	BSM
A8 (4H_)		3.0 TFSI quattro	06.10-	245
	3.0 TFSI quattro	11.11-	228	CGWD/CREA
	3.0 TFSI quattro	07.10-	213	CGWA/CREG/CGXA
	4.2 FSI quattro	11.09-	273	CDRA
Q7 (4L)	3.0 TFSI	05.10-	200	CJWC/CJTC
	3.0 TFSI	05.11-	206	CTWB/CJWE
	3.0 TFSI	05.10-	245	CJTB/CTWA/CNAA
	4.2 FSI	03.06-05.10	257	BAR
Q7 (4M)	3.0 TFSI	01.15-	245	CREC
R8	4.2 FSI quattro	04.07-09.10	309	BYH
	4.2 FSI quattro	07.10-07.15	316	CNDA
	5.2 FSI quattro	04.09-07.15	386	BUJ/CTYA
R8 Spyder	5.2 FSI quattro	07.14-07.15	419	CTPB
	4.2 FSI quattro	09.10-07.15	316	CNDA
R8 Spyder	5.2 FSI quattro	02.10-07.15	386	BUJ/CTYA

VW

Touareg (7P5)	3.0 V6 TSI Hybrid	04.10-	245	CGFA/CGEA
	4.2 V8 FSI	01.11-	265	CGNA

CL016


1 coil per cylinder

AUDI

A3 (8P1)	3.2 V6 quattro	07.03-05.09	184	BDB/BMJ/BUB
A3 Sportback (8PA)	3.2 V6 quattro	09.04-05.09	184	BMJ/BUB
Q7 (4L)	3.6 FSI	08.06-05.10	206	BHK
TT (8N3)	3.2 VR6 quattro	07.03-06.06	184	BPF/BHE
TT (8J3)	3.2 V6 quattro	08.06-06.10	184	BUB
TT Roadster (8N9)	3.2 VR6 quattro	07.03-06.06	184	BPF/BHE
TT Roadster (8J9)	3.2 V6 quattro	03.07-06.10	184	BUB

PORSCHE

Cayenne (955)	3.2	10.03-09.07	184	M02.2Y
---------------	-----	-------------	-----	--------

SKODA

Superb (3T4)	3.6 V6 4x4	11.08-	191	CDVA
Superb Combi (3T5)	3.6 V6 4x4	10.09-	191	CDVA

VW

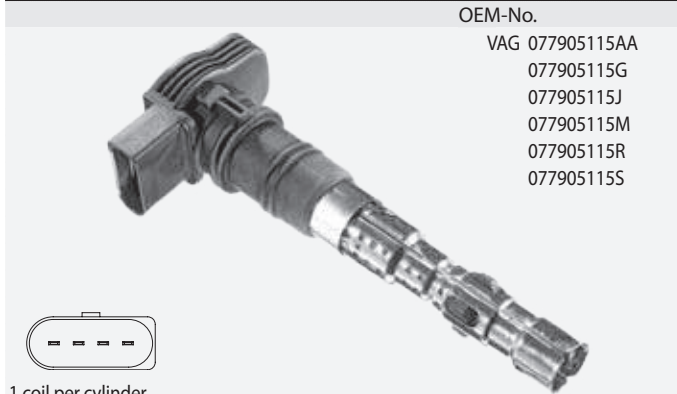
CC (358)	3.6 FSI 4motion	11.11-	220	BWS
Eos (1F7, 1F8)	3.2 V6	06.06-05.09	184	CBRA/BUB

CL016

< CL016

VW				
Eos (1F7, 1F8)	3.6 V6	05.09-11.10	191	CDVA
Golf IV (1J1)	3.2 R32 4motion	09.02-06.05	177	BFH/BML
Golf V (1K1)	3.2 R32 4motion	11.05-11.08	184	CBRA/BUB
Multivan V	3.2 V6	02.04-06.04	170	BDL
	3.2 V6	02.04-11.09	173	BKK/CFLA
	3.2 V6 4motion	07.04-11.09	173	BKK/CFLA
Passat (3C2)	3.2 FSI 4motion	11.05-07.10	184	AXZ
Passat Variant (3C5)	3.6 R36 4motion	04.07-11.10	220	BWS
Phaeton (3D_)	3.2 V6	04.02-	177	AYT/BKL
	3.2 V6 4motion	02.04-	177	BRK/BKL
Touareg (7L_)	3.2 V6	10.02-11.06	162	AZZ/BMV/BKJ/BAA
	3.2 V6	11.04-11.06	177	BMV
	3.6 V6 FSI	10.05-05.10	206	BHL/BHK
Transporter V Bus	3.2 V6	02.04-06.04	170	BDL
	3.2 V6	02.04-11.09	173	BKK/CFLA
	3.2 V6 4motion	11.03-11.09	173	BKK/CFLA
Transporter V Flatbed	3.2 V6	02.04-11.09	170	BDL
	3.2 V6	08.03-05.06	173	BKK
Transporter V Van	3.2 V6	04.03-06.04	170	BDL
	3.2 V6	02.04-11.09	173	BKK/CFLA
	3.2 4motion	11.03-11.09	173	BKK/CFLA

CL017



OEM-No.
VAG 077905115AA
077905115G
077905115J
077905115M
077905115R
077905115S

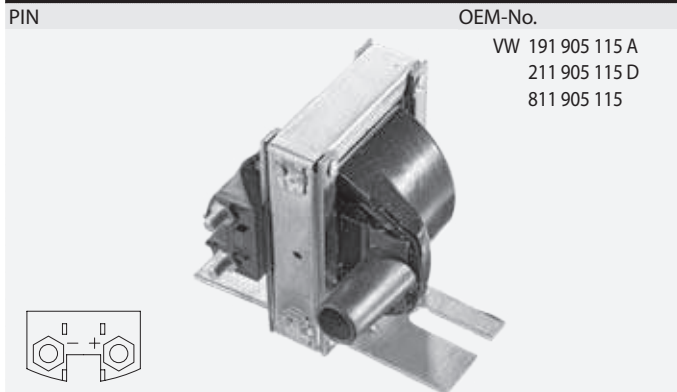
1 coil per cylinder

AUDI

Allroad (4BH, C5)	4.2 V8 quattro	07.02-08.05	220	BAS
-------------------	----------------	-------------	-----	-----

VW				
Phaeton (3D_)	4.2 V8 4motion	05.03-	246	BGJ/BGH
Touareg (7L_)	4.2 V8	12.02-11.06	228	AXQ/BHX

CL018



OEM-No.
VW 191 905 115 A
211 905 115 D
811 905 115

SEAT

Toledo I (1L)	1.8 16V	05.91-03.99	92	PL
	1.8 16V	05.91-03.99	98	KR
	1.8 i	05.91-12.96	65	RP

VW

Corrado (53I)	1.8 16V	04.89-07.92	100	KR
	1.8 G60	09.88-09.93	118	PG
Derby (86C, 80)	1.3	08.83-12.84	40	HK
Golf I Cabriolet (155)	1.8	08.83-04.93	70	JH
	1.8	08.89-03.93	72	2H
Golf II (19E, 1G1)	1.0	08.85-10.91	37	HZ

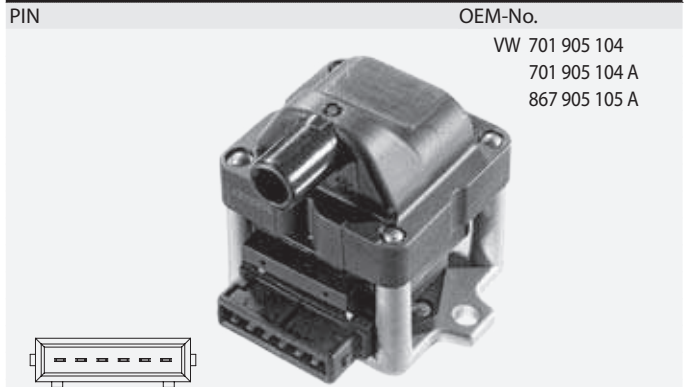
ignition coils



< CL018

VW				
Golf II (19E, 1G1)	1.6	10.86-12.92	51	PN
	1.6	02.86-10.91	53	RF
	1.6	08.83-07.92	55	HM/EZ
	1.8	08.86-01.90	62	RH
	1.8 Syncro	02.86-07.91	66	GX
	1.8 Syncro	08.88-07.91	72	1P
	1.8 GTI	08.83-10.91	82	EV/GZ/PB
	1.8 GTI cat	01.87-10.91	79	PF
	1.8 GTI 16V	02.86-10.91	95	PL
	1.8 GTI 16V	02.86-06.90	102	KR
Jetta II	1.3 cat	06.87-12.91	40	NZ/2G
	1.8	08.86-01.90	62	RH
	1.8	08.84-10.91	66	GX/GU/HV
	1.8	08.85-10.87	79	RD
	1.8 16V	08.86-10.91	95	PL
	1.8 16V	08.89-06.96	69	1E
LT 28-35 I Bus	2.4 i	08.89-06.96	69	1E
LT 28-35 I Flatbed	2.4 i	03.94-06.96	69	1E
LT 28-35 I Van	2.4 i	03.94-06.96	69	1E
LT 40-55 I Flatbed	2.4 i	03.94-06.96	69	1E
LT 40-55 I Van	2.4 i	01.93-06.96	69	1E
Passat (32B)	1.6	08.80-03.88	55	DT
Passat (3A2, 35I)	1.6	02.88-12.88	55	ABN/EZ
	1.8	04.88-07.93	79	PF
	1.8	04.88-07.92	82	PB
	1.8 16V	04.88-12.89	100	KR
	1.8 G60 Syncro	08.88-08.96	118	PG
	1.8 G60 Syncro	08.88-08.96	118	PG
Passat Sedan (32B)	1.6	01.85-03.88	55	DT
	1.8	01.85-03.88	66	DS/JN
Passat Variant (32B)	1.6	01.85-03.88	55	VV/YN
	1.8 Syncro	01.86-03.88	66	DS/JN
	2.0 Syncro	05.84-03.88	85	JS
Passat Variant (3A5)	1.6	04.88-12.88	55	EZ
	1.8	04.88-07.92	82	PB
	1.8 16V	04.88-12.89	100	KR
	1.8 G60 Syncro	08.88-05.97	118	PG
Polo (86C, 80)	1.3	06.84-09.89	55	GK
	1.3 cat	07.87-10.90	40	NZ/2G
Scirocco (53B)	1.6	01.83-12.89	55	EW

CL019



OEM-No.
VW 701 905 104
701 905 104 A
867 905 105 A

AUDI

80 Avant (8C, B4)	2.0 E	07.92-01.96	85	ABK
-------------------	-------	-------------	----	-----

SEAT

Cordoba (6K1, 6K2)	1.8 i 16V	10.93-08.96	95	ADL
Ibiza II (6K1)	1.8 i	03.93-08.99	66	ADZ/ABS
Toledo I (1L)	2.0 i	05.91-03.99	85	2E
	2.0 i 16V	11.93-03.99	110	ABF

VW


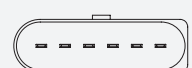
Golf II (19E, 1G1)	1.3 cat	06.86-12.92	40	NZ
Passat (3A2, 35I)	2.0	02.90-08.96	85	2E
	2.0 Syncro	10.90-08.96	85	2E
	2.0 16V	01.94-08.96	110	ABF
Passat Variant (3A5)	2.0	02.90-05.97	85	2E
	2.0 Syncro	10.90-05.97	85	2E
	2.0 16V	01.94-05.97	110	ABF
Polo (86C, 80)	1.0	08.85-01.92	33	HZ

< CL019

VW				
Polo (86C, 80)	1.3 cat	10.90-09.94	40	NZ/2G
Polo Classic (86C, 80)	1.0	08.86-09.94	33	AAU/HZ/AAK
	1.3 cat	07.87-09.94	40	NZ/MH
Polo Coupe (86C, 80)	1.0	08.85-01.92	33	HZ
	1.0 cat	08.89-09.94	33	AAU/AAK/ACM
	1.3 cat	07.87-08.94	40	NZ/2G/MH/AAV
Polo Van (86CF)	1.3	08.92-07.94	40	AAV
Transporter IV Bus	1.8	12.90-07.92	49	PD
	2.0	09.90-04.03	62	AAC
Transporter IV Flatbed	2.0	07.90-04.03	62	AAC
Transporter IV Van	2.0	07.90-04.03	62	AAC
Vento (1H2)	1.6	09.92-09.98	55	ABU/AEA/AEE

CL020

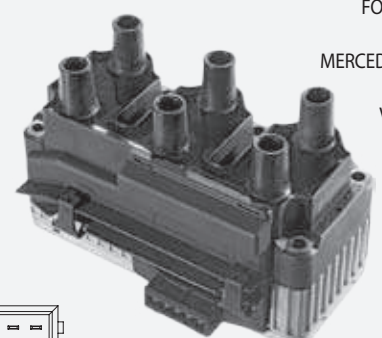

PIN	OEM-No.
	VW 071 905 106



SEAT

Toledo II (1M2)	2.3 V5	10.98-11.00	110	AGZ
Bora (1J2)	2.3 V5	10.98-10.00	110	AGZ
	2.3 V5 4motion	12.98-10.00	110	AGZ
Bora Combi (1J6)	2.3 V5	05.99-04.00	110	AGZ
	2.3 V5 4motion	05.99-10.00	110	AGZ
Golf IV (1J1)	2.3 V5	08.97-10.00	110	AGZ
	2.3 V5 4motion	12.98-04.99	110	AGZ
Golf IV Variant (1J5)	2.3 V5	05.99-06.06	110	AGZ
	2.3 V5 4motion	05.99-06.06	110	AGZ
Passat (3B2)	2.3 VR5	10.96-08.97	110	AGZ
	2.3 VR5 Syncro	10.97-11.00	110	AGZ
Passat Variant (3B5)	2.3 VR5	06.97-11.00	110	AGZ
	2.3 VR5 Syncro	10.97-11.00	110	AGZ

CL021

PIN	OEM-No.
	FORD 1008464
	95VW 12029 AA
	MERCEDES 003 158 50 01
	A 003 158 50 01
	VW 021 905 106
	021 905 106 A
	310 880 01



FORD

Galaxy (WGR)	2.8 iV6	11.95-04.00	128	AAA
	2.8 iV6 4x4	04.96-04.00	128	AAA

MERCEDES

V-Class (638/2)	V 280	08.97-07.03	128	M 104.900
-----------------	-------	-------------	-----	-----------

VW

Golf III (1H1)	2.8 VR6	01.92-08.97	128	AAA
	2.9 VR6 Syncro	10.94-08.97	140	ABV
Golf III Variant (1H5)	2.9 VR6 Syncro	10.94-04.99	140	ABV
Passat (3A2, 351)	2.8 VR6	06.91-08.96	128	AAA

< CL021

VW				
Passat Variant (3A5)	2.8 VR6	06.91-05.97	128	AAA
	2.9 VR6 Syncro	01.94-05.97	135	ABV
Sharan (7M_)	2.8 VR6	09.95-04.00	128	AAA
	2.8 VR6 Syncro	11.96-04.00	128	AAA
Transporter IV Bus	2.8 VR6	11.95-04.00	103	AES
	2.8 VR6	04.00-04.03	150	AMV
	2.8 VR6 Syncro	01.96-04.96	103	AES
Transporter IV Flatbed	2.8	05.96-05.00	103	AES
Transporter IV Van	2.8 VR6	05.96-05.00	103	AES
Vento (1H2)	2.8 VR6	01.92-09.98	128	AAA

CL022

OEM-No.	
VW 07C905715	
07C905715C	
07C905715D	
07C905715E	
07C905715F	
07C905715H	
07C905115J	




1 coil per cylinder

AUDI


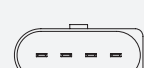
A8 (4E_)	6.0 W12 quattro	12.03-07.10	331	BTE/BSB/BHT
----------	-----------------	-------------	-----	-------------

VW

Passat (3B3)	4.0 W8 4motion	09.01-09.04	202	BDP/BDN
Passat Variant (3B6)	4.0 W8 4motion	09.01-09.04	202	BDP/BDN
	6.0 W12 4motion	04.02-	309	BAN
Phaeton (3D_)	6.0 W12 4motion	05.05-	331	BTT/BRN
	6.0 W12	08.04-05.10	331	CFRA/BJN

CL023

OEM-No.	
FORD 1331283	
1362718	
VW 022905100A	
022905100D	
022905100G	
022905100K	
022905100N	

1 coil per cylinder

FORD

Galaxy (WGR)	2.8 V6	04.00-05.06	150	AYL
--------------	--------	-------------	-----	-----

SEAT

Alhambra	2.8 V6	06.00-03.10	150	AYL/AUE
	2.8 V6 4motion	06.00-03.10	150	AYL/AUE
Toledo II (1M2)	2.3 V5 20V	09.00-11.03	125	AQN

VW

Bora (1J2)	2.3 V5	10.00-05.05	125	AQN
	2.3 V5 4motion	10.00-05.05	125	AQN
	2.8 V6 4motion	05.01-05.05	150	BDE
Bora Combi (1J6)	2.3 V5	10.00-05.05	125	AQN
	2.3 V5 4motion	10.00-05.05	125	AQN
	2.8 V6 4motion	04.01-05.05	150	BDE
	2.8 VR6	03.00-05.00	150	AUE
Golf IV (1J1)	2.3 V5	10.00-06.05	125	AQN
	2.3 V5 4motion	10.00-06.05	125	AQN
	2.8 V6 4motion	05.01-06.05	150	BDE
Golf IV Variant (1J5)	2.3 V5	10.00-06.06	125	AQN
	2.3 V5 4motion	10.00-06.06	125	AQN
	2.8 V6 4motion	05.01-06.06	150	BDE
New Beetle	2.3 V5	10.00-09.10	125	AQN

CL023

< CL023

VW

Sharan (7M_)	2.8 V6 24V	04.00-03.10	150	AYL
	2.8 V6 24V 4motion	04.00-03.10	150	AYL

CL024

OEM-No.

VAG 066905100
066905100B
066905100C
066905100D
066905100G



1 coil per cylinder

VW

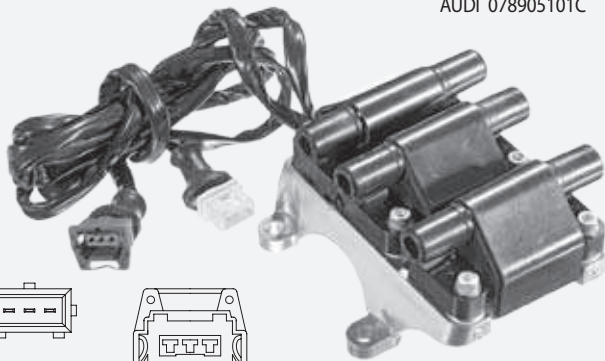
Passat (3B3)	2.3 V5	11.00-05.05	125	AZX
	2.3 V5 4motion	11.00-05.05	125	AZX
Passat Variant (3B6)	2.3 VR5	11.00-05.05	125	AZX
	2.3 VR5 4motion	11.00-05.05	125	AZX

CL026

PIN

OEM-No.

AUDI 078905101C



AUDI

A4 (8D2, B5)	2.6	01.95-11.00	110	ABC
	2.6 quattro	01.95-11.00	110	ABC
	2.8	09.95-07.97	128	AAH
	2.8 quattro	01.95-07.97	128	AAH
A4 Avant (8D5, B5)	2.6	02.96-09.01	110	ABC
	2.6 quattro	01.96-09.01	110	ABC
	2.8	03.96-09.96	128	AAH
A6 (4A, C4)	2.8	06.94-10.97	128	AAH
	2.8 quattro	06.94-10.97	128	AAH
A6 Avant (4A, C4)	2.8	06.94-12.97	128	AAH
	2.8 quattro	06.94-12.97	128	AAH
A8 (4D2, 4D8)	2.8	07.95-03.96	120	AEJ
	2.8	03.94-03.96	128	AAH
	2.8 quattro	07.95-03.96	120	AEJ
	2.8 quattro	03.94-03.96	128	AAH

ignition coils

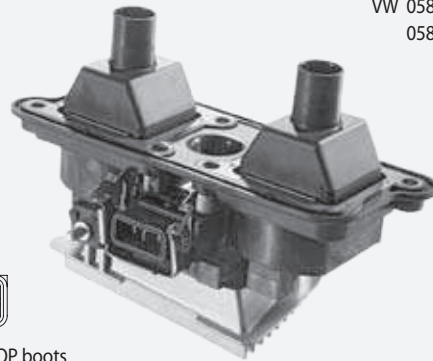


CL028

PIN

OEM-No.

VW 058905101A
058905105A



coil without COP boots

semidirect - 1 coil and ignition lead set T594C

AUDI

A4 (8D2, B5)	1.8	01.95-11.00	92	AVV/ADR/APT/ARG
	1.8 quattro	01.95-11.00	92	ADR/APT/ARG
A4 Avant (8D5, B5)	1.8	02.96-09.01	92	AVV/ADR/APT/ARG
	1.8 quattro	01.96-09.01	92	ADR/APT/ARG
A6 (4A, C4)	1.8	12.95-10.97	92	ADR
	1.8 quattro	12.95-10.97	92	ADR
A6 Avant (4A, C4)	1.8	12.95-12.97	92	ADR
	1.8 quattro	12.95-12.97	92	ADR
Cabriolet (8G7, B4)	1.8	01.97-08.00	92	ADR

VW

Passat (3B2)	1.8	10.96-11.00	92	ADR/APT/ARG
	1.8 Syncro	10.96-11.00	92	ADR/APT/ARG
Passat Variant (3B5)	1.8	06.97-11.00	92	ADR/APT/ARG
	1.8 Syncro	06.97-11.00	92	ADR/APT/ARG

CL029

OEM-No.

VW 077905115AB
077905115B
077905115C
077905115E
077905115F
077905115H
077905115K
077905115P



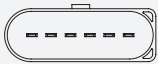
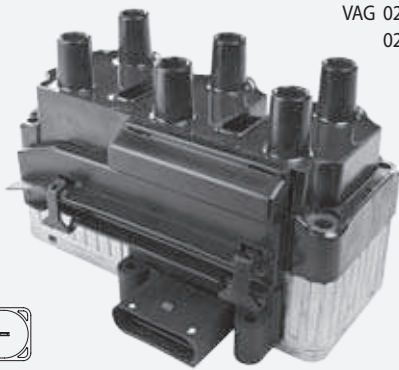
1 coil per cylinder

AUDI

A4 (8E2, B6)	S4 quattro	03.03-12.04	253	BBK
A4 (8EC, B7)	S4 quattro 4.2	11.04-06.08	253	BHF/BBK
A4 Avant (8E5, B6)	S4 quattro 4.2	03.03-12.04	253	BBK
A4 Avant (8ED, B7)	S4 quattro 4.2	11.04-06.08	253	BBK
A4 Cabriolet (8H, B_)	S4 quattro 4.2	03.04-03.09	253	BBK
A6 (4F2, C6)	4.2 quattro	05.04-05.06	246	BAT
A6 Avant (4F5, C6)	4.2 quattro	03.05-05.06	246	BAT
A8 (4E_)	3.7 quattro	10.02-05.06	206	BFL
	4.2 quattro	10.02-07.10	246	BFM

CL030

PIN OEM-No.
VAG 021905106B
021905106C



SEAT

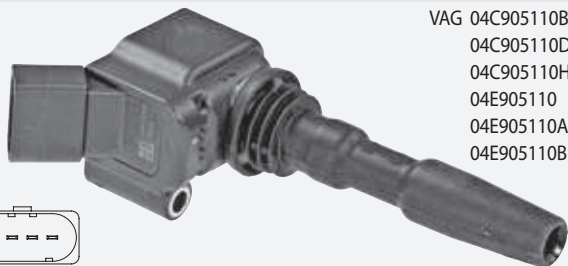
Leon (1M1)	2.8 Cupra 4	02.01-06.06	150	AUE
------------	-------------	-------------	-----	-----

VW

Bora (1J2)	2.8 V6 4motion	03.99-04.01	150	AQP/AUE
Bora Combi (1J6)	2.8 V6 4motion	05.99-04.01	150	AQP/AUE
Golf IV (1J1)	2.8 V6 4motion	03.99-04.01	150	AQP/AUE
Golf IV Variant (1J5)	2.8 V6 4motion	05.99-04.01	150	AQP/AUE
New Beetle	3.2 RSI 4motion	04.00-05.01	165	AXJ

CL031

OEM-No.
VAG 04C905110B
04C905110D
04C905110H
04E905110
04E905110A
04E905110B



1 coil per cylinder

AUDI

A1 (8X1, 8XF)	1.0 TFSI	03.15-	70	CHZB
	1.4 TFSI	11.14-	92	CZCA
	1.4 TFSI	04.12-	103	CPTA
	1.4 TFSI	11.14-	110	CZEA
A1 Sportback (8X_)	1.0 TFSI	03.15-	70	CHZB
	1.4 TFSI	11.14-	92	CZCA/CZDB
	1.4 TFSI	04.12-	103	CPTA
	1.4 TFSI	11.14-	110	CZEA
A3 (8V1)	1.2 TFSI	02.13-	77	CJZA
	1.2 TFSI	05.14-	81	CYVB
	1.4 TFSI	04.12-	90	CMBA/CXSA
	1.4 TFSI	05.14-	92	CXSB/CZCA
	1.4 TFSI	03.13-	103	CPTA
	1.4 TFSI	05.14-	110	CZEA
A3 Cabriolet (8V7)	1.4 TFSI	10.13-	103	CPTA
	1.4 TFSI	05.14-	110	CZEA
A3 Sedan (8VS)	1.2 TFSI	05.14-	81	CYVB
	1.4 TFSI	05.13-	103	CPTA
	1.4 TFSI	05.14-	110	CZEA
A3 Sportback (8VA)	1.2 TFSI	05.13-	77	CJZA
	1.2 TFSI	05.14-	81	CYVB
	1.4 TFSI	09.12-	90	CMBA/CXSA
	1.4 TFSI	05.14-	92	CXSB/CZCA
	1.4 TFSI	03.13-	103	CPTA
	1.4 TFSI	05.14-	110	CZEA
	1.4 TFSI e-tron	05.14-	110	CUKB/CXUA

SEAT

Ibiza V ST (6J8, 6P8)	1.0	05.15-	55	CHYB
	1.0 TSI	05.15-	70	CHZB
	1.0 TSI	05.15-	81	CHZC
	1.4 TSI	10.13-	103	CPTA
Leon (5F1)	1.2 TSI	12.12-	63	CJZB/CYVA
	1.2 TSI	01.13-	77	CJZA
	1.2 TSI	04.14-	81	CYVB

< CL031

SEAT

Leon (5F1)	1.4 TSI	11.12-	90	CMBA/CXSA
	1.4 TSI	05.14-	92	CZCA
	1.4 TSI	09.12-	103	CHPA/CPTA
	1.4 TSI	05.14-	110	CZEA
Leon SC (5F5)	1.0 TSI	05.15-	85	CHZD
	1.2 TSI	01.13-	63	CJZB/CYVA
	1.2 TSI	02.13-	77	CJZA
	1.2 TSI	05.14-	81	CYVB
	1.4 TSI	02.13-	90	CMBA/CXSA
	1.4 TSI	05.14-	92	CZCA
	1.4 TSI	02.13-	103	CHPA/CPTA
	1.4 TSI	05.14-	110	CZEA
Leon ST (5F8)	1.0 TSI	05.15-	85	CHZD
	1.2 TSI	08.13-	77	CJZA
	1.2 TSI	05.14-	81	CYVB
	1.4 TGI	10.13-	81	CPWA
	1.4 TSI	10.13-	90	CMBA/CXSA
	1.4 TSI	05.14-	92	CZCA
	1.4 TSI	10.13-	103	CHPA/CPTA
	1.4 TSI	05.14-	110	CZEA
Mii (KF1_)	1.0	10.11-	44	CHYA
	1.0	10.11-	55	CHYB
	1.0 EcoFuel	11.12-	50	CPGA
Toledo IV (KG3)	1.2 TSI	05.15-	81	CJZD
	1.4 TSI	05.15-	92	CZCA

SKODA

Citigo	1.0	10.11-	44	CHYA	
	1.0	10.11-	55	CHYB	
	1.0 CNG	11.12-	50	CPGA	
Fabia (NJ3)	1.0	08.14-	44	CHYA	
	1.0	08.14-	55	CHYB	
	1.2 TSI	08.14-	66	CJZC	
	1.2 TSI	08.14-	81	CJZD	
Fabia Combi (NJ5)	1.0	10.14-	44	CHYA	
	1.0	10.14-	55	CHYB	
	1.2 TSI	10.14-	66	CJZC	
	1.2 TSI	10.14-	81	CJZD	
	1.2 TSI	11.12-	63	CJZB	
Octavia (5E3)	1.2 TSI	11.12-	77	CJZA	
	1.2 TSI	05.15-	81	CYVB	
	1.4 TSI	11.12-	103	CHPA	
	1.4 TSI	08.14-	110	CZDA/CHPB	
	1.4 TSI G-Tec	11.13-	81	CPWA	
	1.6	01.14-	81	CWVA	
	Octavia Combi (5E5)	1.2 TSI	11.12-	63	CJZB
		1.2 TSI	11.12-	77	CJZA
		1.2 TSI	05.15-	81	CYVB
		1.4 TSI	11.12-	103	CHPA
1.4 TSI		08.14-	110	CZDA/CHPB	
Rapid (NH3)	1.4 TSI G-Tec	11.13-	81	CPWA	
	1.6	01.14-	81	CWVA	
	1.2 TSI	05.15-	66	CJZC	
Rapid Spaceback (NH1)	1.2 TSI	05.15-	66	CJZC	
	1.4 TSI	05.15-	92	CZCA	
	1.4 TSI	03.15-	92	CZCA	
Superb (3V3)	1.4 TSI	03.15-	110	CZDA/CZEA	
	1.4 TSI 4x4	03.15-	110	CZDA/CZEA	
	1.4 TSI	03.15-	92	CZCA	
Superb Combi (3V5)	1.4 TSI	03.15-	110	CZDA/CZEA	
	1.4 TSI	03.15-	110	CZDA/CZEA	
	1.4 TSI 4x4	03.15-	110	CZDA/CZEA	
	1.4 TSI	03.15-	92	CZCA	
Yeti (5L)	1.2 TSI	05.15-	81	CYVB	
	1.4 TSI	05.15-	92	CZCA	
	1.4 TSI 4x4	05.15-	110	CZDA	
1.6	04.14-02.15	81	CWVA		

VW

Beetle (5C1)	1.4 TSI	12.14-	110	CZDA
Beetle Cabriolet	1.4 TSI	12.14-	110	CZDA
Caddy IV Combi	1.2 TSI	06.15-	62	CYVC
	1.4 TSI CNG	06.15-	81	CPWA

CL031

< CL031

VW

Caddy IV Combi	1.4 TSI	05.15-	92	CZCB
Caddy IV Van	1.2 TSI	06.15-	62	CYVC
	1.4 TSI CNG	06.15-	81	CPWA
	1.4 TSI	05.15-	92	CZCB
CC (358)	1.4 TSI	05.15-	110	CZDA
Golf VII (5G1, BE1)	1.0 TSI	05.15-	85	CHZA
	1.2 TSI	08.12-	63	CJZB/CYVA
	1.2 TSI	11.12-	77	CJZA
	1.4 GTE Hybrid	05.14-	110	CUKB
	1.4 TGI CNG	06.13-	81	CPWA/CZBA
	1.4 TSI	11.12-	90	CPVA/CMBA/CXSA
	1.4 TSI	05.14-	92	CPVB/CZCA
	1.4 TSI	11.12-	103	CHPA/CPTA
	1.4 TSI MultiFuel	04.13-	90	CPVA
	1.4 TSI MultiFuel	12.13-	92	CPVB
	1.6	05.14-	81	CWVA
Golf VII Combi (BA5)	1.0 TSI	05.15-	85	CHZA
	1.2 TSI	05.13-	63	CJZB/CYVA
	1.2 TSI	05.13-	77	CJZA
	1.2 TSI	04.14-	81	CYVB
	1.4 TGI CNG	09.13-	110	CPWA
	1.4 TSI	05.13-	90	CPVA/CXSA
	1.4 TSI	05.14-	92	CPVB/CZCA
	1.4 TSI	05.13-	103	CHPA
	1.4 TSI	05.14-	110	CHPB/CZDA
	1.4 TSI MultiFuel	04.13-	90	CPVA
	1.4 TSI MultiFuel	05.14-	92	CPVB
	1.6	05.14-	81	CWVA
Golf Sportsvan (AM1)	1.0 TSI	05.15-	85	CHZA
	1.2 TSI	05.14-	63	CYVA
	1.2 TSI	04.14-	81	CYVB
	1.4 TSI	04.14-	92	CPVB/CZCA
	1.4 TSI	02.14-	110	CZDA
	1.4 TSI MultiFuel	04.14-	92	CPVB
	1.6	05.14-	81	CWVA
Jetta IV (162, 163)	1.4 TSI	08.14-	92	CZCA
	1.4 TSI	08.14-	110	CZDA
	1.4 TSI Hybrid	04.11-	110	CNLA/CRJA
Passat (3G2)	1.4 GTE Hybrid	06.15-	115	CUKC
	1.4 TSI	11.14-	92	CZCA
	1.4 TSI	11.14-	110	CZEA
	1.4 TSI 4motion	02.15-	110	CZEA
Passat Variant (3G5)	1.4 GTE Hybrid	06.15-	115	CUKC
	1.4 TSI	11.14-	92	CZCA
	1.4 TSI	11.14-	110	CZEA
	1.4 TSI 4motion	02.15-	110	CZEA
Polo (6R, 6C)	1.0 TSI	11.14-	70	CHZB
	1.0 TSI	11.14-	81	CHZC
	1.2 TSI 16V	07.14-	66	CJZC
	1.4 TSI	10.12-	103	CPTA
	1.6	07.14-	81	CWVA
Scirocco (137, 138)	1.4 TSI	11.13-	92	CXSB/CZCA
Sharan (7N1, 7N2)	1.4 TSI	05.15-	110	CZDA
Tiguan (5N_)	1.4 TSI	05.15-	92	CZDB
Touran	1.2 TSI	09.15-	81	CYVB
	1.4 TSI	09.15-	110	CZDA
Up	1.0	08.11-	44	CHYA
	1.0	08.11-	55	CHYB
	1.0 EcoFuel	11.12-	50	CPGA

ignition coils



CL032

OEM-No.



PORSCHE	95890511000
VAG	06H905110D
	06H905110E
	06H905110F
	06L905110C
	06L905110D
	06J905110C
	06J905110D

1 coil per cylinder

AUDI

A1 (8X1, 8XF)	1.8 TFSI	02.15-	141	DAJB
A1 Sportback (8X_)	1.8 TFSI	02.15-	141	DAJB
A3 (8V1)	1.8 TFSI	04.12-	132	CJSA
	1.8 TFSI quattro	08.12-	132	CJSB
	S3 quattro 2.0	02.13-	206	CJXB
	S3 quattro 2.0	11.12-	221	CJXC
	S3 quattro 2.0	05.14-	210	CJXF
A3 Cabriolet (8V7)	1.8 TFSI	05.14-	125	CNSB
	1.8 TFSI quattro	03.14-	132	CJSB
	S3 quattro 2.0	03.14-	210	CJXF
A3 Sedan (8VS)	1.8 TFSI	05.13-	132	CJSB/CJSA
	1.8 TFSI quattro	11.13-	132	CJSB
	S3 quattro 2.0	05.14-	210	CJXF
A3 Sportback (8VA)	1.8 TFSI	09.12-	132	CJSB/CJSA
	1.8 TFSI quattro	05.13-	132	CJSB
	S3 quattro 2.0	05.13-	206	CJXB
	S3 quattro 2.0	05.14-	210	CJXF
	S3 quattro 2.0	11.12-	221	CJXC
A4 (8K2, B8)	1.8 TFSI	11.11-	125	CJEB
	1.8 TFSI quattro	11.11-	125	CJEB
A4 Allroad (8KH, B8)	2.0 TFSI quattro	05.13-	165	CNCD
A4 Avant (8K5, B8)	1.8 TFSI	11.11-	125	CJEB
	1.8 TFSI quattro	11.11-	125	CJEB
	2.0 TFSI	05.13-	165	CNCD
	2.0 TFSI quattro	05.13-	165	CNCD
A5 (8T3)	2.0 TFSI	05.13-	165	CNCD
	2.0 TFSI quattro	05.13-	165	CNCD
A5 Cabriolet (8F7)	1.8 TFSI	10.11-	125	CABD/CJEB
A5 Sportback (8TA)	1.8 TFSI	08.11-	125	CJEB
	1.8 TFSI	09.14-	106	CJED
	2.0 TFSI	05.13-	165	CNCD
	2.0 TFSI quattro	05.13-	165	CNCD
A6 (4G2, C7, 4GC)	1.8 TFSI	09.14-	140	CYGA
	2.0 TFSI	09.14-	185	CYNB/CYPA
	2.0 TFSI quattro	05.14-	185	CYNB/CYPA
A6 Avant (4G5, 4GD)	1.8 TFSI	09.14-	140	CYGA
	2.0 TFSI	09.14-	185	CYNB/CYPA
A7 Sportback (4G_)	2.0 TFSI	09.14-	185	CYPA
Q3 (8U)	2.0 TFSI	05.15-	132	CULB
	2.0 TFSI quattro	11.14-	132	CULB
TT (FV3)	2.0 TFSI	07.14-	169	CHHC
	2.0 TFSI quattro	07.14-	169	CHHC
TT Roadster (FV9)	2.0 TFSI	11.14-	169	CHHC
	2.0 TFSI quattro	11.14-	169	CHHC

PORSCHE

Macan	2.0	07.14-	174	MCN.CC/MCY.NA
-------	-----	--------	-----	---------------

SEAT

Alhambra (710, 711)	2.0 TSI	05.15-	162	DEDA
Leon (5F1)	1.8 TSI	02.13-	132	CJSB/CJSA
	2.0 Cupra	10.13-	195	CJXE
	2.0 Cupra	10.13-	206	CJXA
Leon SC (5F5)	1.8 TSI	02.13-	132	CJSB/CJSA
	2.0 Cupra	10.13-	195	CJXE
	2.0 Cupra	10.13-	206	CJXA
Leon ST (5F8)	1.8 TSI	10.13-	132	CJSB/CJSA
	1.8 TSI 4Drive	11.14-	132	CJSA
	2.0 Cupra	10.13-	195	CJXE
	2.0 Cupra	10.13-	206	CJXA

< CL032

SKODA

Octavia (5E3)	1.8 TSI	11.12-	132	CJSA
	1.8 TSI 4x4	09.14-	132	CJSA
	2.0 TSI RS	05.13-	162	CHHB
	2.0 TSI RS	05.15-	169	CHHA
Octavia Combi (5E5)	1.8 TSI	11.12-	132	CJSB/CJSA
	1.8 TSI 4x4	11.12-	132	CJSB
	2.0 TSI RS	11.12-	162	CHHB
	2.0 TSI RS	05.15-	169	CHHA
Superb (3V3)	1.8 TSI	03.15-	132	CJSA/CJSC
	2.0 TSI	03.15-	162	CHHB
	2.0 TSI 4x4	03.15-	206	CJXA
Superb Combi (3V5)	1.8 TSI	03.15-	132	CJSA/CJSC
	2.0 TSI	03.15-	162	CHHB
	2.0 TSI 4x4	03.15-	206	CJXA

VW

Beetle (5C1)	2.0 TSI	12.12-	155	CPPA/CPLA
	2.0 TSI	12.14-	162	CULC
Beetle Cabriolet (5C7)	1.8 TSI	12.13-	125	CPKA/CPRA
	2.0 TSI	12.12-	155	CPPA/CPLA
	2.0 TSI	12.14-	162	CULC
Eos (1F7, 1F8)	2.0 TFSI	11.13-	162	CULC
Golf VI Cabriolet (517)	2.0 TSI	11.13-	162	CULC
Golf VII (5G1, BE1)	2.0 GTI	11.13-	155	CNTA/CXCA
	2.0 GTI	04.13-	162	CXDA/CHHB
	2.0 GTI	04.13-	169	CHHA
	2.0 R 4motion	11.13-	206	CJXB
	2.0 R 4motion	11.13-	221	CJXC
Golf VII Combi (BA5)	2.0 R 4motion	03.15-	206	CJXB
	2.0 R 4motion	03.15-	221	CJXC
Golf Alltrack (BA5)	1.8 TSI 4motion	12.14-	132	CJSB
Jetta IV (162, 163)	1.8 TSI	07.14-	125	CPKA/CPRA
	2.0 TSI	12.12-	155	CPPA/CPLA
Passat (3G2)	1.8 TSI	02.15-	132	CJSA/CJSC
	2.0 TSI	05.15-	162	CHHB
	2.0 TSI 4motion	05.15-	206	CJXA
Passat Alltrack (3G5)	2.0 TSI 4motion	07.15-	162	CHHB
	1.8 TSI	02.15-	132	CJSA/CJSC
	2.0 TSI	05.15-	162	CHHB
	2.0 TSI 4motion	05.15-	206	CJXA
Polo (6R, 6C)	1.8 GTI	11.14-	141	DAJA/DAJB
Scirocco (137, 138)	2.0 TSI	11.13-	132	CULA
	2.0 TSI	11.13-	162	CULC
Sharan (7N1, 7N2)	2.0 TSI	05.15-	162	DEDA

CL033

OEM-No.

VW 034905101
034905105



1 coil per cylinder

AUDI

80 (8C, B4)	S2 quattro	02.93-12.94	169	ABY
80 Avant (8C, B4)	RS2 quattro	03.94-05.95	232	ADU
	S2 quattro	02.93-07.95	169	ABY
100 (4A, C4)	S4 Turbo quattro	08.91-06.94	169	AAN
100 Avant (4A, C4)	S4 Turbo quattro	09.91-06.94	169	AAN
A6 (4A, C4)	S6 Turbo quattro	06.94-10.97	169	AAN
A6 Avant (4A, C4)	S6 Turbo quattro	06.94-12.97	169	AAN
Coupe (89, 8B)	S2 quattro 2.2	10.92-12.96	169	ABY

CL034

OEM-No.

VW 06C905115A
06C905115B
06C905115D
06C905115E
06C905115F
06C905115G
06C905115H
06C905115K



1 coil per cylinder

AUDI

A4 (8E2, B6)	2.0	11.00-12.04	96	ALT
	3.0	11.00-12.04	162	ASN/AVK
	3.0	04.01-12.04	160	BBJ
	3.0 quattro	11.00-12.04	162	ASN/AVK
	3.0 quattro	04.01-12.04	160	BBJ
A4 (8EC, B7)	3.0 quattro	11.04-07.06	160	BBJ
A4 Avant (8E5, B6)	2.0	09.01-12.04	96	ALT
	3.0	09.01-12.04	162	ASN
	3.0	04.01-12.04	160	BBJ
A4 Avant (8ED, B7)	3.0 quattro	09.01-12.04	162	ASN/AVK
	3.0 quattro	04.01-12.04	160	BBJ
	3.0	11.04-05.06	160	BBJ
A4 Cabriolet (8H_ B_)	3.0 quattro	11.04-07.06	160	BBJ
	2.0	09.04-12.05	96	ALT
A6 (4B2, C5)	3.0	04.02-12.05	162	ASN
	3.0 quattro	05.03-12.05	162	ASN
	3.0	08.01-01.05	162	ASN
A6 (4F2, C6)	3.0 quattro	08.01-01.05	162	ASN
	3.0 quattro	05.04-05.06	160	BBJ
A6 Avant (4B5, C5)	3.0	08.01-01.05	162	ASN
	3.0 quattro	08.01-01.05	162	ASN
A6 Avant (4F5, C6)	3.0	03.05-05.06	160	BBJ
	3.0 quattro	03.05-05.06	160	BBJ
A8 (4E_)	3.0	07.03-05.05	162	ASN
	3.0	07.03-05.06	160	BBJ

CL100

OEM-No.

NISSAN 22448-00QA
OPEL 4408389
4413233
4413223
RENAULT 77 00 107 177
77 00 113 357
77 00 875 000
82 00 154 186



1 coil per cylinder

DACIA

Duster	1.6 16V	04.10-	77	K4M 696/K4M 690
	1.6 16V 4x4	06.10-	77	K4M 606
	1.6 16V LPG	04.11-	77	K4M 696
Logan (LS_)	1.6 16V (LS0M)	02.06-	77	K4M 696/K4M 690
Logan MCV (KS_)	1.6 16V	02.07-	77	K4M 696/K4M 690
	1.6 16V Hi-Flex	11.09-	77	K4M 694/K4M 690
Sandero II	1.6 16V	01.13-	77	K4M 694/K4M 845
LADA (VAZ)				
Largus Combi	1.6	03.12-	77	VAZ- K4M
Largus Van	1.6	03.12-	77	VAZ- K4M
NISSAN				
Kubistar (X76)	1.6 16V	08.03-10.09	70	K4M 752

CL100

< CL100

NISSAN				
Kubistar Van (X80)	1.6 16V	08.03-	70	K4M 752
Primastar Bus (X83)	2.0	03.01-	88	F4R 722/F4R 720
Primastar Van (X83)	2.0	02.03-	88	F4R 720
OPEL (VAUXHALL)				
Vivaro Combi (J7)	2.0 16V	08.01-	88	F4R 720
	2.0 Ecotec	08.06-	86	F4R 820
Vivaro Flatbed (E7)	2.0 16V	08.06-	88	F4R 720
	2.0 Ecotec	08.06-	86	F4R 820
Vivaro Van (F7)	2.0 16V	08.01-	88	F4R 720
	2.0 Ecotec	08.06-	86	F4R 820
RENAULT				
Avantime (DE0_)	2.0 16V Turbo	11.01-05.03	120	F4R 760/F4R 761
Clio Grandtour (KR)	1.4 16V	02.10-	72	K4J 780
	1.6 16V	02.08-	82	K4M 800/K4M 801
	1.6 16V	11.08-	94	K4M 862
Clio II	1.4 16V	10.99-09.04	70	K4J 712/K4J 713
	1.4 16V	08.00-	72	K4J 71_/K4J 711
	1.6 16V	09.98-	79	K4M 74_/K4M 708
Clio III (BR0/1, CR0/1)	1.4 16V	06.05-	72	K4J 780
	1.6 16V	06.05-	82	K4M 800/K4M 801
	1.6 16V	06.05-	65	K4M 804
	1.6 16V GT	06.09-	94	K4M 862
	2.0 16V Sport	02.06-	145	F4R 830
	2.0 16V Sport	09.08-	148	F4R 830
Duster	1.6 16V	02.12-	75	K4M 616
	2.0	02.12-	98	
Espace III (JE0_)	2.0	09.01-10.02	102	F4R 701/F4R 700
	2.0 16V	10.98-10.02	103	F4R 701/F4R 700
Espace IV (JK0/1_)	2.0	11.02-	100	F4R 792
	2.0	04.05-	125	F4R 89_/F4R 79_
	2.0 Turbo	11.02-	120	F4R 796/_795/_794
Fluence (L30_)	1.6 16V	02.10-	81	K4M 839/K4M 838
Grand Scénic II	1.6	04.04-	83	K4M 761/K4M 782
	2.0	04.04-	99	F4R 771/F4R 770
	2.0	04.04-	120	F4R 776
Grand Scénic III	1.6 16V	02.09-	81	K4M 858
Kangoo (KC0/1_)	1.6 16V	06.01-	70	K4M 750/_753/_752
	1.6 16V 4x4	10.01-	70	K4M 750/_753/_752
Kangoo/Grand Kangoo	1.6 16V Hi-Flex	02.08-	78	K4M 834/K4M 850
	1.6 16V	02.08-	78	K4M 830/K4M 831
Kangoo BeBop (KW)	1.6	02.09-	78	K4M 830
Kangoo Express (FC)	1.6 16V	10.01-	70	K4M 752
	1.6 16V 4x4	10.01-	70	K4M 750/_753/_752
Kangoo Express (FW)	1.6 16V	02.08-	78	K4M 830
	1.6 16V LPG	02.08-	72	K4M 834
Laguna Coupe (DT)	2.0 16V Turbo	09.08-	125	F4Rt 811/F4R 811
	2.0 GT	09.08-	150	F4R 800
Laguna I (B56_, 556_)	1.6 16V	03.99-03.01	79	K4M 720/K4M 724
	1.8 16V	04.98-03.01	88	F4P 760
	2.0	09.99-02.01	102	F4R 780
	2.0 16V	09.99-03.01	103	F4R 780
Laguna I Grandtour	1.6 16V	03.99-03.01	79	K4M 720/K4M 724
	1.8 16V	04.98-03.01	88	F4P 760
	2.0 16V	09.99-03.01	103	F4R 780
Laguna II (BG0/1_)	1.6 16V	03.01-	79	K4M 714/K4M 710
	1.6 16V	02.05-	82	K4M 716
	1.8 16V	03.01-	86	F4P 774/F4P 770
	1.8 16V	03.01-	85	F4P 77_
	1.8 16V	03.01-	88	F4P 770/F4P 773
	1.8 16V	03.01-	89	F4P 772/F4P 770
	2.0 16V	08.02-	99	F4R 713/715/712/714
	2.0 16V	01.05-	125	F4R 787/_786/_784
	2.0 16V	01.05-	150	F4R 887/F4R 886
	2.0 16V Turbo	01.03-	120	F4R 764/_787/_765
Laguna II Grandtour	1.6 16V	02.05-	82	K4M 716
	1.6 16V	03.01-	79	K4M 714/K4M 710
	1.8 16V	03.01-	85	F4P 774/770/771/775
	1.8 16V	03.01-	86	F4P 770
	1.8 16V	03.01-	88	F4P 770/F4P 773
	1.8 16V	03.01-	89	F4P 774/F4P 770
	2.0 16V	08.02-	99	F4R 713/715/712/714

< CL100

RENAULT				
Laguna II Grandtour	2.0 16V	01.05-	125	F4R 787/_786/_784
	2.0 16V	01.05-	150	F4R 887/F4R 886
	2.0 16V Turbo	01.03-	120	F4R 764/_787/_765
Laguna III (BT0/1)	1.6 16V	10.07-	81	K4M 824
	2.0 16V Turbo	10.07-	125	F4R 811
	2.0 GT	03.08-	150	F4R 800
Laguna III Grandtour	1.6 16V	10.07-	81	K4M 824
	2.0 16V Turbo	10.07-	125	F4R 811
	2.0 GT	03.08-	150	F4R 800
Logan I (LS_)	1.6	04.07-	77	K4M 690
Logan I Combi (KS_)	1.6	04.07-	77	K4M 697
Megane CC (EZ0/1_)	1.6 16V	06.10-	81	K4M 858
	2.0 TCe	06.10-	132	F4R 870/F4R 872
Megane I (BA0/1_)	1.4 16V	03.99-08.03	70	K4J 714/K4J 750
	1.6 16V	03.99-08.03	79	K4M 704/_700/_708
	1.8 16V	01.01-08.03	85	F4P 722/F4P 720
Megane I Cabrio (EA)	1.4 16V	03.99-08.03	70	K4J 714/K4J 750
	1.6 16V	03.99-08.03	79	K4M 700/_708/_701
	2.0 16V	01.02-08.03	102	F4R 746/F4R 770
Megane I Classic (LA)	1.4 16V	03.99-08.03	70	K4J 714/K4J 750
	1.6 16V	03.99-08.03	79	K4M 700/_708/_701
	1.8 16V	01.01-08.03	85	F4P 722/F4P 720
Megane I Coach (DA)	1.4 16V	03.99-08.03	70	K4J 714/K4J 750
	1.6 16V	03.99-08.03	79	K4M 700/_708/_701
	2.0 16V	01.02-08.03	102	F4R 746
Megane I Grandtour	1.4 16V	03.99-08.03	70	K4J 714/K4J 750
	1.6 16V	03.99-08.03	79	K4M 704/_700/_708
	1.8 16V	01.01-08.03	85	F4P 722/F4P 720
Megane II (BM, CM)	1.4 16V	10.03-02.08	60	K4J 732
	1.4 16V	11.02-02.08	72	K4J 740/K4J 730
	1.6	06.05-02.08	77	K4M 788
	1.6 16V	01.06-06.08	82	K4M 812/_760/_813
	1.6 16V	11.02-02.08	83	K4M 760
	1.6 Flex-Fuel	01.07-02.08	77	K4M 788
	2.0	08.06-02.08	169	F4R 774
	2.0 16V	11.02-02.08	99	F4R 770
	2.0 16V Turbo	05.04-02.08	120	F4R 776
	2.0 Sport	05.04-10.09	165	F4R 774/F4Rt 774
Megane II Combi (KM)	1.4	08.03-07.09	72	K4J 740/K4J 730
	1.6	08.03-07.09	83	K4M 760/K4M 761
	1.6 16V	01.06-08.09	82	K4M 812/_760/_813
	1.6 16V Hi-Flex	02.08-07.09	77	K4M 856
	2.0	08.03-07.09	99	F4R 771/F4R 770
Megane II Coupe	1.6	09.03-03.09	83	K4M 760/K4M 761
	1.6 16V	01.06-06.08	82	K4M 812/_760/_813
	2.0	09.03-12.09	99	F4R 771/F4R 770
	2.0 16V Turbo	05.04-03.09	120	F4R 776
Megane II Sedan (LM)	1.4	09.03-	60	K4J 732
	1.4	09.03-	72	K4J 740/K4J 730
	1.6	05.05-	77	K4M 762
	1.6	09.03-	83	K4M 760/K4M 761
	1.6 16V	01.06-	82	K4M 812/K4M 813
	2.0	09.03-	99	F4R 771/F4R 770
Megane III CC (BZ)	1.6 16V	11.08-	74	K4M 848
	1.6 16V	11.08-	81	K4M 858
	1.6 16V BiFuel	11.08-	81	K4M 866
	2.0 TCe	11.08-	132	F4R 870
Megane III Coupe	1.6 16V	11.08-	74	K4M 848
	1.6 16V	11.08-	81	K4M 858
	1.6 16V BiFuel	11.08-	81	K4M 866
	2.0 TCe	11.08-	132	F4R 870
	2.0 TCe	05.09-	184	F4R 874
Megane III Grandtour	1.6 16V	05.09-	74	K4M 848
	1.6 16V	05.09-	81	K4M 858
	1.6 16V BiFuel	11.08-	81	K4M 866
	2.0 TCe	11.08-	132	F4R 870/F4R 872
Megane Scenic (JA)	1.6 16V	04.98-10.99	79	K4M 704/_700/_708
Modus / Grand Modus	1.4	12.04-	72	K4J 780/K4J 770
	1.6	12.04-	65	K4M 794
	1.6	12.04-	82	K4M 790/_800/_801
Sandero/Stepway I	1.6	12.07-	76	

< CL100
RENAULT

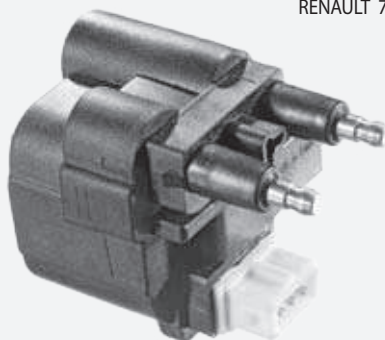
Scénic I (JA)	1.4 16V	09.99-08.03	70	K4J 714/K4J 750
	1.8 16V	01.01-08.03	85	F4P 722/F4P 720
	2.0 16V	07.00-08.03	102	F4R 741/_740/_746
	2.0 16V	09.99-08.03	103	F4R 741/_740/_744/
Scénic II (JM)	2.0 16V RX4	06.00-08.03	102	F4R 746/F4R 744
	1.4	06.03-	72	K4J 740/_730/_770
	1.6	06.03-	83	K4M 761/K4M 782
	1.6 16V	10.05-	82	K4M 812/_766/_813
	2.0	06.03-	99	F4R 771/F4R 770
Scénic III (JZ)	2.0 16V Turbo	05.04-	120	F4R 776
	1.6 16V	02.09-	81	K4M 858
Thalia I (LB0/1/2_)	1.6 E85	02.09-	81	K4M 866
	1.4 16V	08.00-	72	K4J 712
Trafic II Bus (JL)	2.0	03.01-	88	F4R 722/F4R 720
	2.0 16V	08.06-	86	F4R 820
Trafic II Flatbed (EL)	2.0	03.01-	88	F4R 720
	2.0 16V	08.06-	86	F4R 820
Trafic II Van (FL)	2.0	03.01-	88	F4R 722/F4R 720
	2.0 16V	08.06-	86	F4R 820
Twingo II (CN0_)	1.6 RS	05.08-	98	K4M 854
Vel Satis (BJ0_)	2.0 16V Turbo	06.02-	120	F4R 762/F4R 763
	2.0 16V Turbo	04.04-	125	F4R 766/F4R 767
	3.5 V6	06.02-	177	V4Y 701/V4Y 711
Wind (E4M_)	1.6	07.10-	98	K4M 854

CL101

SAE

OEM-No.

RENAULT 7701041608



for cylinder 2 & 3 (coil CL103: 1 & 4)

RENAULT

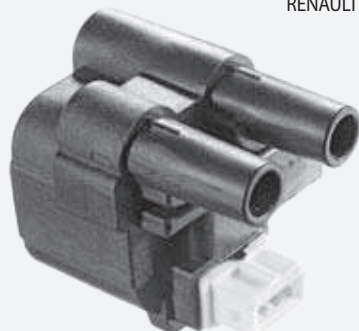
Megane I (BA)	1.6 e	01.96-03.97	66	K7M 702/_703/_790
	1.6 i	01.96-03.97	55	K7M 720
Megane I Cabrio (EA)	1.6 e	10.96-03.97	66	K7M 702/K7M 703
Megane I Classic (LA)	1.6 e	09.96-03.97	66	K7M 702/_703/_790
	1.6 i	09.96-03.97	55	K7M 720
Megane I Coach (DA)	1.6 e	03.96-03.97	66	K7M 702/K7M 703
Megane I Grandtour	1.6 e	03.99-08.03	66	K7M 702/K7M 703
Megane Scenic (JA)	1.6 e	10.96-03.97	66	K7M 702/K7M 703
	1.6 i	01.97-03.97	55	K7M 720

CL102

PIN

OEM-No.

RENAULT 7700100643



for cylinder 2 & 3 (CL128: 1 & 4)

RENAULT

Clio II	1.4	09.98-05.05	55	E7J 634/780/K7J 700
	1.6	09.98-05.05	66	K7M 744/K7M 745

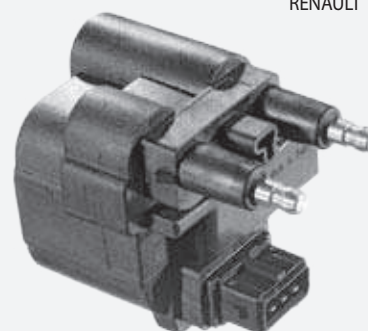
< CL102
RENAULT

Kangoo (KC)	1.4	08.97-	55	E7J 634/635 /K7J 701
Kangoo Express (FC)	1.4	08.97-	55	E7J 634/635 /K7J 701
Laguna I (B56)	1.6 16V	11.97-03.99	79	K4M 720/K4M 724
Laguna I Grandtour	1.6 16V	11.97-03.99	79	K4M 720/K4M 724
Megane I (BA)	1.6 e	03.97-03.99	66	K7M 702/_703/_790
	1.6 i	03.97-03.99	55	K7M 720
Megane I Cabriolet	1.6 e	04.97-03.99	66	K7M 702/K7M 703
Megane I Classic (LA)	1.6 e	04.97-03.99	66	K7M 702/_703/_790
Megane I Coach (DA)	1.6 e	03.97-03.99	66	K7M 702/K7M 703
Megane Scenic (JA)	1.6 e	04.97-10.99	66	K7M 702/K7M 703
	1.6 i	04.97-09.99	55	K7M 720

CL103

SAE

OEM-No.

 RENAULT 7701041607
708633020-7


for cylinder 1 & 4 (coil CL101: 2 & 3)

RENAULT

Megane I (BA)	1.6 e	01.96-03.97	66	K7M 702/_703/_790
	1.6 i	01.96-03.97	55	K7M 720
Megane I Cabriolet	1.6 e	10.96-03.97	66	K7M 702/K7M 703
Megane I Classic (LA)	1.6 e	09.96-03.97	66	K7M 702/_703/_790
	1.6 i	09.96-03.97	55	K7M 720
Megane I Coach (DA)	1.6 e	03.96-03.97	66	K7M 702/K7M 703
Megane I Grandtour	1.6 e	03.99-08.03	66	K7M 702/K7M 703
Megane Scenic (JA)	1.6 e	10.96-03.97	66	K7M 702/K7M 703
	1.6 i	01.97-03.97	55	K7M 720

CL104

OEM-No.

 PSA 5970.80
96363378
9636337880
9636997880

CITROEN

Berlingo (B9)	1.6	04.08-	66	NFR (TU5JP4B)
	1.6	04.08-	80	NFU (TU5JP4)
Berlingo (MF)	1.6 16V	10.00-	80	NFU (TU5JP4)
Berlingo Van (B9)	1.6	04.08-	66	NFR (TU5JP4B)
	1.6	04.08-	80	NFU (TU5JP4)
Berlingo Van (M_)	1.6 16V	10.00-	80	NFU (TU5JP4)
	1.6 VTS	01.05-	90	NFS (TU5JP4S)
C3 I (FC_)	1.6 16V	02.02-	80	NFU (TU5JP4)
C3 Pluriel (HB_)	1.6	05.03-	80	NFU (TU5JP4)
C4 Coupe (LA_)	1.6 16V	11.04-07.11	80	NFU (TU5JP4)
	1.6 16V	11.04-07.11	80	NFU (TU5JP4)
C4 I (LC_)	1.6 16V Bio-Flex	09.07-07.08	80	NFU (TU5JP4)
	1.6 16V	09.00-03.05	80	NFU (TU5JP4)
Xsara (N1)	1.6 16V	09.00-03.05	80	NFU (TU5JP4)
Xsara Break (N2)	1.6 16V	09.00-08.05	80	NFU (TU5JP4)

CL104

< CL104

CITROEN				
Xsara Coupe (N0)	1.6 16V	09.00-03.05	80	NFU (TU5JP4)
Xsara Picasso (N68)	1.6 16V	09.05-	80	NFU (TU5JP4)
PEUGEOT				
1007 (KM_)	1.6 16V	04.05-	80	NFU (TU5JP4)
206 CC (2A/C)	1.6 16V	12.00-	80	NFU (TU5JP4)
206 CC (2D)	1.6 16V	09.00-	80	NFU (TU5JP4)
206 Sedan	1.6 16V	03.07-	80	NFU (TU5JP4)
206 SW (2E/K)	1.6 16V	07.02-	80	NFU (TU5JP4)
206+ (T3E)	1.6 16V	07.10-	80	NFU (TU5JP4)
207 (WA_, WC_)	1.6 16V	02.06-	80	NFU (TU5JP4)
307 (3A/C)	1.6 16V	08.00-	80	NFU (TU5JP4)
307 Break (3E)	1.6 16V	03.02-	80	NFU (TU5JP4)
307 CC (3B)	1.6 16V	02.05-	80	NFU (TU5JP4)
307 SW (3H)	1.6 16V	03.02-	80	NFU (TU5JP4)
308 (4A_, 4C_)	1.6 Bioflex	04.08-	80	NFU (TU5JP4)
308 SW	1.6 Bioflex	03.09-	82	NFU (TU5JP4)
Partner Combispac	1.6 16V	07.01-	80	NFU (TU5JP4)
Partner Tepee	1.6	04.08-	66	NFR (TU5JP4B)
	1.6	04.08-	80	NFU (TU5JP4)
Partner Van	1.6	04.08-	66	NFR (TU5JP4B)
	1.6	04.08-	80	NFU (TU5JP4)

CL105



1 coil per cylinder

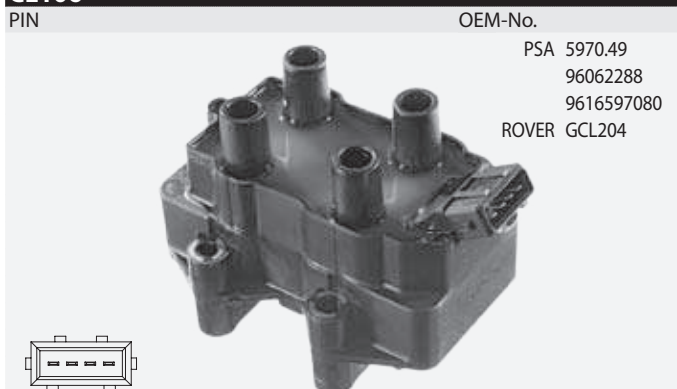
CITROEN

Xantia (X1)	2.0i 16V	03.93-01.98	112	RFY (XU10J4/Z)
	2.0i 16V	06.94-01.98	110	RFT (XU10J4/Z)
ZX (N2)	2.0i 16V	06.94-06.97	110	RFT (XU10J4/Z)
	2.0i 16V	07.92-10.94	112	RFT /RFY
	2.0i 16V	05.96-06.97	120	RFS (XU10J4RS)

PEUGEOT

306 (7B, N3, N5)	2.0 S16	06.94-05.01	110	RFT (XU10J4)
	2.0 S16	06.94-05.01	112	RFY (XU10J4Z)
306 CC (7_, N_)	2.0 S16	06.94-05.01	110	RFT (XU10J4)
	2.0 S16	05.93-05.01	112	RFY (XU10J4Z)
405 II (4B)	2.0 T 16 X4	08.92-10.95	144	RGZ (XU10J4TE/Z)
405 II Break (4E)	2.0 4x4	08.92-12.95	144	RGZ (XU10J4TE/Z)

CL106



CITROEN

AX (ZA_-)	10	01.92-12.98	33	CDY (TU9M)
	10	02.87-12.98	37	CDZ (TU9M)

ignition coils



< CL106

CITROEN				
AX (ZA_-)	11	05.92-12.97	44	HDZ (TU1M)/H1B
	14	01.93-04.97	55	KDY/KDX
	14 4x4	01.93-12.96	55	KDY/KDX
	1.4 GTi	08.91-12.96	66	KFY (TU3FJ2)
	1.4 GTi	06.91-12.96	69	KFZ (TU3FJ2)
	1.4 GTi	06.91-12.92	74	KFZ (TU3FJ2)
ZX (N2)	1.4	03.91-06.97	55	KDZ (TU3M/Z)
	1.4 i	03.91-06.97	55	KDZ/KFX/KDX
ZX Break (N2)	1.4 i	10.93-10.97	55	KFX/KDX/KDY
PEUGEOT				
106 I (1A, 1C)	1.0	09.91-04.96	33	TU9/CDY (TU9M)
	1.0	09.91-04.96	37	CDZ (TU9M)
	1.1	09.91-04.96	44	HDZ (TU1M)
	1.3	10.93-04.96	72	TU2J2
	1.4	03.94-04.96	55	KDX (TU3MC)
	1.4	09.91-04.96	69	KFZ (TU3J2/Z)
	1.6	06.93-04.96	65	NFZ (TU5JP)
	1.6	01.94-04.96	76	NFY (TU5J2)
106 II (1)	1.6 i	05.96-	65	NFZ (TU5JP)
	1.6 i	05.96-	74	NFW/NFY
306 (7B, N3, N5)	1.1	06.94-05.01	44	HDZ (TU1M)
	1.4 SL	06.94-06.97	55	KDX/KFX/KFW
	1.6 SR	06.94-06.98	65	NFZ (TU5JP)
306 Break	1.6	03.97-07.98	65	NFZ (TU5JP)
306 Cabriolet	1.6	04.96-10.00	65	NFZ (TU5JP)
306 CC (7_, N_)	1.1	05.93-05.01	44	HDZ (TU1M)
	1.4	05.93-05.97	55	KDX/KFX/KFW
	1.6	05.93-10.00	65	NFZ (TU5JP)
405 II (4B)	1.4	08.92-10.95	55	KDX (TU3MC)
405 II Break (4E)	1.4	08.92-10.96	55	KDX (TU3MC)
ROVER				
400 (RT)	420 Si Lux	12.95-03.00	100	20 T4H
400 Hatchback (RT)	420 Si Lux	12.95-03.00	100	20 T4H
400 Tourer (XW)	2.0 i	05.94-11.98	100	20 T4H
800 (XS)	820 I/SI	01.92-02.99	100	20 T4H
800 Hatchback (XS)	820 I/SI (XS)	01.93-02.99	100	20 T4H
Mini	1300	01.92-09.96	46	12 A2E/12 A2L

CL107



CITROEN

Berlingo (MF)	1.1 i	07.96-	44	HDZ (TU1M)
	1.4 i	07.96-	55	KFX/KFW
	1.8 i	05.97-	66	LFX (XU7JB)
	1.8 i 4WD	04.97-	66	LFX (XU7JB)
Berlingo Van (M_)	1.1 i	07.96-	44	HDZ/HFX
	1.4 i	07.96-	55	KFX/KFW
	1.8 i	08.99-10.02	66	LFX (XU7JB)
BX (XB_-)	16 E	03.91-02.93	65	BDY/BDZ
BX Break (XB_-)	16	03.91-12.94	65	BDY/BDZ
	19	04.90-12.94	80	DDZ (XU9M)
	19 4x4	10.90-05.91	80	DDZ (XU9M)
Evasion (22, U6)	1.8	05.97-07.02	73	LFZ (XU7JP)
	2.0	06.94-07.02	89	RFU (XU10J2/C)
	2.0 Turbo C.T.	06.94-07.02	108	RGX (XU10J2TE)
Jumper Bus (230P)	2.0	02.94-04.02	80	RFW (XU10J2U)
	2.0 4x4	08.96-04.02	80	RFW (XU10J2U)

< CL107
CITROEN

Jumper Bus (244, Z_)	2.0	04.02-	81	XU10J2	
	2.0 Bivalent	02.03-	81	XU10J2	
Jumper Flatbed (230)	2.0	03.94-04.02	80	RFW (XU10J2U)	
Jumper Van (230L)	2.0	03.94-04.02	80	RFW (XU10J2U)	
	2.0 4x4	10.96-01.02	80	RFW (XU10J2U)	
Jumper Van (244)	2.0	04.02-	81	XU10J2	
	2.0 Bivalent	02.03-	81	XU10J2	
Saxo (S0, S1)	1.0 X	05.96-11.98	33	CDZ (TU9M)	
	1.0 X	05.98-06.03	37	CDZ (TU9M)	
	1.1 X,SX	05.97-09.03	40	HDZ (TU1M)	
	1.1 X,SX	05.96-08.00	44	HDZ (TU1M)	
	1.4 VTS	05.96-01.98	55	KFX/KFW	
	1.6	02.96-06.98	66	NFZ (TU5JP)	
	1.6	02.01-04.04	74	NFT	
	1.6	02.96-04.04	88	NFX (TU5JP4)	
	1.6 VTL,VTR	05.96-05.98	65	NFZ (TU5JP)	
	1.6 VTS	09.00-09.03	72	NFT	
Xantia (X1)	1.6 VTS	06.96-09.03	87	NFX (TU5JP4)	
	1.6 i	03.93-01.98	65	BFZ (XU5JP)	
	1.8 i	04.97-01.98	66	LFX (XU7JB)	
	1.8 i	03.93-01.98	74	LFZ (XU7JP)	
	1.8 i 16V	06.95-01.98	81	LFY (XU7JP4)	
	2.0 i	03.93-01.98	89	RFX (XU10J2C)	
	2.0 i 16V	06.95-01.98	97	RFV (XU10J4R)	
	2.0 i 16V	03.93-01.98	112	RFY (XU10J4/Z)	
	2.0 i 16V	06.94-01.98	110	RFT (XU10J4/Z)	
	2.0 Turbo	06.95-01.98	108	RGX (XU10J2TE)	
	Xantia (X2)	1.8 i	01.98-04.03	66	LFX (XU7JB)
		2.0 Turbo	01.98-04.03	108	RGX (XU10J2TE)
	Xantia Break (X1)	1.8 i	04.97-01.98	66	LFX (XU7JB)
1.8 i		06.95-01.98	74	LFZ (XU7JP)	
1.8 i 16V		06.95-01.98	81	LFY (XU7JP4)	
2.0 i		06.95-01.98	89	RFX (XU10J2C)	
2.0 i 16V		06.95-01.98	97	RFV (XU10J4R)	
Xantia Break (X2)	2.0 Turbo	06.95-01.98	108	RGX (XU10J2TE)	
	1.8 i	01.98-04.03	66	LFX (XU7JB)	
	2.0 i	01.98-04.03	89	RFX (XU10J2C)	
XM (Y3)	2.0 i	05.89-06.94	89	RFZ (XU10J2)	
	2.0 i Turbo	09.92-06.94	104	RGY (XU10J2TE/Z)	
XM (Y4)	2.0 i 16V	05.94-10.00	97	RFV (XU10J4R)	
	2.0 Turbo	05.94-10.00	108	RGX (XU10J2TE)	
XM Break (Y3)	2.0 i	11.91-04.94	89	RFZ (XU10J2)	
	2.0 Turbo	09.92-04.94	104	RGY (XU10J2TE/Z)	
XM Break (Y4)	2.0 i 16V	05.94-10.00	97	RFV (XU10J4R)	
	2.0 Turbo	05.94-10.00	108	RGX/RGY	
Xsara (N1)	1.4 i	04.97-03.05	55	KFX (TU3JP)	
	1.6 i	04.97-09.00	65	NFZ (TU5JP)	
	1.8 i	04.97-09.00	66	LFX (XU7JB)	
	1.8 i 16V	04.97-09.00	81	LFY (XU7JP4)	
	1.8 i Aut.	04.97-09.00	74	LFZ (XU7JP)	
	2.0 16V	07.98-09.00	97	RFV (XU10J4R)	
Xsara Break (N2)	1.4 i	10.97-08.05	55	KFX (TU3JP)	
	1.6 i	10.97-09.00	65	NFZ (TU5JP)	
	1.8 i	10.97-09.00	66	LFX (XU7JB)	
	1.8 i 16V	10.97-09.00	81	LFY (XU7JP4)	
	1.8 i Aut.	10.97-09.00	74	LFZ (XU7JP)	
	2.0 16V	07.98-09.00	97	RFV (XU10J4R)	
Xsara Coupe (N0)	1.4 i	03.98-03.05	55	KFX (TU3JP)	
	1.6 i	02.98-09.00	65	NFZ (TU5JP)	
	1.8 i	02.98-09.00	66	LFX (XU7JB)	
	1.8 i	02.98-09.00	74	LFZ (XU7JP)	
	1.8 i 16V	02.98-09.00	81	LFY (XU7JP4)	
Xsara Picasso (N68)	1.6	12.99-	65	NFZ (TU5JP)	
ZX (N2)	1.6	07.94-10.97	66		
	1.6 i	03.91-06.97	65	BFZ/BDY	
	1.8	07.94-10.97	76	LFZ (XU7JP)	
	1.8 i	07.92-06.97	74	LFZ (XU7JP)	
	1.8 i 16V	01.96-06.97	81	LFY (XU7JP4)	
	1.9	03.91-06.97	93	D6E (XU9JA)	

< CL107
CITROEN

ZX (N2)	1.9	03.91-09.93	96		
	1.9 i	03.91-06.97	88	DKZ (XU9JA)	
	2.0	07.94-10.97	90	RFX (XU10J2C)	
	2.0 i	07.92-06.97	89	RFX (XU10J2C)	
	2.0 i 16V	06.94-06.97	110	RFT (XU10J4/Z)	
	2.0 i 16V	07.92-10.94	112	RFT/RFY	
ZX Break (N2)	1.6 i	10.93-10.97	65	BFZ/BDY	
	1.8 i	10.93-10.97	74	LFZ (XU7JP)	
	1.8 i 16V	01.96-02.98	81	LFY (XU7JP4)	
FIAT					
Ducato Bus (230)	2.0 4x4	11.94-11.01	80	RFW	
	2.0 Panorama	03.94-04.02	80	RFW	
Ducato Bus (244, Z_)	2.0	04.02-	81	RFL	
	2.0 Bipower	11.02-	81	RFL	
Ducato Flatbed (230)	2.0	06.98-04.02	80	RFW	
Ducato Van (230L)	2.0	03.94-04.02	80	RFW	
Ducato Van (244)	2.0	04.02-	81	RFL	
	2.0 Bipower	11.02-	81	RFL	
Ulysse (220)	1.8	05.97-08.02	73	LFW	
	2.0	06.94-08.02	89	RFU (XU10J2C)	
	2.0 Turbo	06.94-08.02	108	RGX (XU10J2CTE)	
LANCIA					
Zeta (220)	2.0 16V	07.00-09.02	100	RFN	
	2.0 Turbo	05.95-09.02	108	RGX (XU10J2TE)	
PEUGEOT					
106 II (1)	1.0 i	05.96-	33	CDY (TU9M)	
	1.0 i	01.97-	37	CDZ (TU9M)	
	1.1 i	01.97-06.00	40	HDY (TU1M)	
	1.1 i	05.96-	44	HDZ (TU1M)	
	1.4 i	05.96-06.97	55	KFX/KFW	
	205 I Cabriolet	1.6 CJ	08.92-12.94	65	BDY (XU5M3Z)
205 II (20A/C)	1.6 Aut.	05.90-09.98	65	BDY	
206 CC (2A/C)	1.1 i	09.98-	44	HFZ/HFX	
	1.8 16V	03.97-05.01	81	LFY (XU7JP4)	
306 (7B, N3, N5)	1.8 ST	06.94-05.01	74	LFZ (XU7JP)	
	2.0	03.97-05.01	97	RFV (XU10J4R)	
	2.0 ST	07.94-05.01	89	RFX (XU10J2)	
	306 Break	1.4	03.97-05.98	55	KFX/KFW
306 Cabriolet	1.8	03.97-04.02	74	LFZ (XU7JP)	
	1.8 16V	03.97-04.02	81	LFY (XU7JP4)	
	2.0	03.97-04.02	97	RFV (XU10J4R)	
	306 Cabriolet	1.8	03.94-04.02	74	LFZ (XU7JP)
	1.8 16V	07.00-04.02	81	LFY (XU7JP4)	
306 CC (7_, N_)	2.0	03.94-04.02	89	RFX (XU10J2)	
	2.0 16V	03.97-04.02	97	RFV (XU10J4R)	
	1.8	05.93-05.01	74	LFZ (XU7JP)	
	1.8 16V	03.97-05.01	81	LFY (XU7JP4)	
309 II (3C, 3A)	2.0 16V	03.97-05.01	97	RFV (XU10J4R)	
	2.0 XSi	05.93-05.01	89	RFX (XU10J2)	
	1.6	07.89-12.93	65	BDY/BDZ	
405 I (15B)	1.6	09.90-12.92	65	BDY/BDZ	
405 I Break (15E)	1.6	10.90-08.92	65	BDY/BDZ	
405 II (4B)	1.6	08.92-10.95	65	BFZ/BDZ/BDY	
	1.8	08.92-10.95	74	LFZ (XU7JP)	
	2.0	08.92-10.95	89	RFX (XU10J2)	
	2.0 X4	08.92-10.95	89	RFX (XU10J2)	
405 II Break (4E)	1.6	08.92-10.96	65	BFZ/BDZ/BDY	
	1.8	08.92-10.96	74	LFZ (XU7JP)	
	2.0	08.92-10.96	89	RFX (XU10J2)	
	2.0 4x4	08.92-10.96	89	RFX (XU10J2)	
406 (8B)	1.6	11.95-05.04	65	BFZ (XU5JP)	
	1.8	05.97-05.04	66	LFX (XU7JB)	
	1.8 16V	11.95-03.99	81	LFY (XU7JP4)	
	2.0 16V	11.95-05.04	97	RFV (XU10J4R)	
406 Break (8E/F)	2.0 Turbo	04.96-05.04	108	RGX (XU10J2TE)	
	1.8	05.97-10.04	66	LFX (XU7JB)	
	1.8 16V	10.96-03.99	81	LFY (XU7JP4)	
	2.0 16V	10.96-03.97	97	RFV (XU10J4R)	
406 Coupe (8C)	2.0 Turbo	10.96-10.04	108	RGX (XU10J2TE)	
	2.0 16V	03.97-12.04	97	RFV (XU10J4R)	
	605 (6B)	2.0	10.90-09.99	89	RFZ (XU10J2Z)

CL107

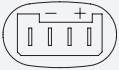
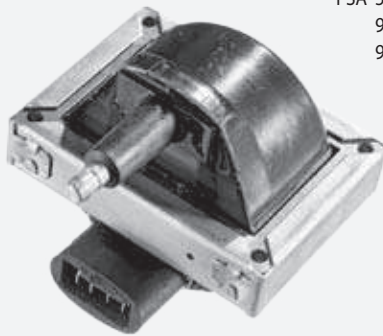
< CL107

PEUGEOT

605 (6B)	2.0 Turbo	07.92-09.99	104	RGY (XU10J2TE)
	2.0 Turbo	07.91-09.99	108	RGX (XU10J2TE)
806 (221)	1.8	07.95-08.02	73	LFW (XU7JP)
	2.0	06.94-08.02	89	RFU (XU10J2)
	2.0 16V	05.98-09.00	97	RFV (XU10J4R)
	2.0 Turbo	06.94-08.02	108	RGX (XU10J2TE)
Boxer Bus (230P)	2.0 i	03.94-04.02	80	RFW (XU10J2)
	2.0 i 4x4	08.96-04.02	80	RFW (XU10J2)
Boxer Bus (244, Z_)	2.0	04.02-	81	RFL (XU10J2U)
Boxer Flatbed (ZCT_)	2.0	12.01-04.02	81	RFL (XU10J2U)
	2.0 i	06.94-04.02	80	RFW (XU10J2)
Boxer Van (230L)	2.0 4x4	03.96-09.98	80	
	2.0 i	06.94-04.02	80	RFW (XU10J2)
Boxer Van (244)	2.0	04.02-	81	RFL (XU10J2U)
Expert (224)	1.8	10.96-09.00	74	LFZ (XU7JP)
Expert Van (222)	1.8	10.96-09.00	74	LFZ (XU7JP)
Partner CombiSpace	1.1	06.96-	44	HDZ/HFX
	1.4	06.96-11.02	55	KFX (TU3JP)
	1.8	05.97-	66	LFX (XU7JB)
Partner Van (5)	1.1	06.96-	44	HDZ (TU1M)
	1.4	06.96-	55	KFX (TU3JP)/TU32

CL108

SAE	OEM-No.
	PSA 5970.43
	96 010 513
	97 530 780



CITROEN

AX (ZA-_)	10	09.86-06.92	32	C1A	
	10	07.86-12.90	33	CDY (TU9M)	
	10 E	12.86-12.88	30	C3A	
	11	12.86-04.94	40	H1A/H1B	
	11 4x4	06.91-07.92	40	H1A	
	11 cat	09.88-12.89	40	HAZ (TU1CP)	
	14	12.86-12.88	44	KAY (TU3CP)	
	14	06.88-12.89	49	K1F	
	14	04.87-01.93	55	KDY/KDZ/KDX	
	14	01.88-12.92	62	K2B/K2A	
	14 4x4	08.91-01.93	55	KDY/KDZ/KDX	
	1.3 Sport	04.87-12.88	70	M4A	
	BX (XB-_)	11	10.88-06.92	40	HDZ (TU1M)
		14	01.89-02.93	55	KDZ/KDY
16		03.86-02.93	76	180Z	
BX Break (XB-_)	14	01.86-02.93	53	150C	
	14	01.89-02.93	55	KDY (TU3M)	
	16	03.86-12.94	76	180Z	
C15 (VD-_)	1.0	10.84-12.97	33	XV8/TU9	
	1.0 E	11.92-07.96	37	TU9K	
	1.1	11.88-07.96	40	H1A	
	1.1 i	07.88-12.96	44	HDZ (TU1M)	
	1.4	07.87-12.96	49	K1H (TU3A)	
	1.4 E	07.87-12.96	40	K3A	
	1.4 E	05.87-12.96	44	150D (XY7)	
	1.4 i	05.91-12.96	55	KDY (TU3_)	
C15 Combi	1.1	10.88-10.92	40	HDZ (TU1M)	
	1.1	08.88-07.96	44	HDZ (TU1M)	
	1.4	05.87-09.92	49		
	1.4	05.87-10.92	44	150D (XY7)	
	1.4	05.91-07.96	55	KDY (TU3M)	

ignition coils



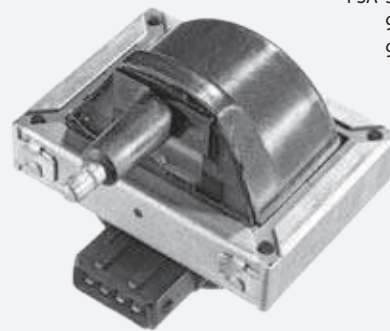
< CL108

PEUGEOT

205 I Cabriolet	1.1 CJ	10.89-12.94	44	HDZ (TU1M)
	1.4	08.87-06.94	62	K2B (TU3S)
	1.4 CJ	03.89-12.94	49	K1D (TU3A)
	1.4 CJ	05.91-12.94	55	KDZ/KDY
	1.4 CJ cat	01.89-09.93	44	KAY (TU3CP)
	1.9 CTI	01.91-10.94	75	DFZ (XU9J1)
205 II (20A/C)	1.0	10.87-09.98	33	TU9
	1.1	10.87-10.90	40	H1B (TU1)
	1.1	07.89-09.98	44	HDZ (TU1M)
	1.4	10.87-10.90	49	K1D (TU3A)
	1.4	07.88-09.98	55	KFX/KDZ/KDY
	1.4	06.87-12.89	62	K2B (TU3S)
309 I (10C, 10A)	1.4 cat	08.87-09.93	44	KAY (TU3CP)
	1.9 GTI	01.91-10.94	88	DKZ (XU9JAZ)
	1.9 GTI	01.91-09.98	94	D6B (XU9JA)
	1.4	03.89-07.89	49	K1D (TU3A)
	1.4	03.89-07.89	55	KDZ/KDY
	1.4	03.89-07.89	62	K2B (TU3S)
309 II (3C, 3A)	1.6	11.85-09.88	76	180Z/B6B
	1.1	08.90-12.93	44	HDZ (TU1M)
	1.4	07.90-12.93	49	K1D (TU3A)
	1.4	07.89-12.93	55	KDZ/KDY
	1.9	01.91-12.93	72	DFZ (XU9J1)
	1.9 GTI	12.89-12.93	88	DKZ (XU9JAZ)
405 I (15B)	1.4	01.87-07.92	47	K5A (TU3)

CL109

SAE	OEM-No.
	PSA 5970.45
	96035284
	9603528480

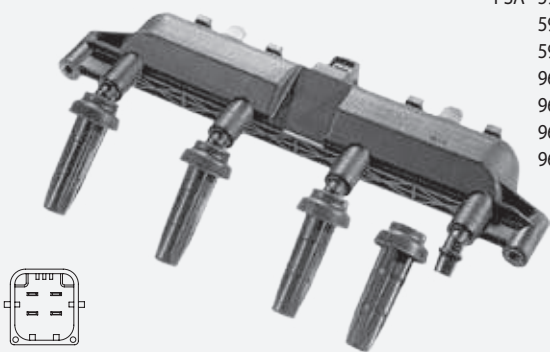


CITROEN

AX (ZA-_)	10	01.91-12.91	33	CDY (TU9M)
	11	09.86-04.92	44	HDZ (TU1M)/H1B
ZX (N2)	1.1	03.91-08.93	40	H1A/H1B
	1.1	03.91-06.97	44	HDZ (TU1M)
	1.4	03.91-06.97	55	KDZ (TU3M/Z)
	1.4 i	03.91-06.97	55	KDZ/KFX/KDX
	1.9 i	03.91-06.97	88	DKZ (XU9JA)
ZX Break (N2)	1.4 i	10.93-10.97	55	KFX/KDX/KDY
PEUGEOT				
106 I (1A, 1C)	1.0	09.91-04.96	33	TU9/CDY (TU9M)
	1.1	09.91-04.96	44	HDZ (TU1M)
	1.4	08.91-03.96	51	K5A (TU3)
	1.4	09.91-02.94	55	KDY (TU3M)
605 (6B)	2.0	06.89-09.90	89	RFZ (XU10J2)

CL110

OEM-No.

 PSA 5970.72
 5970.74
 5970.A9
 96246755
 9624675580
 96 281 585
 96 281 585 80

CITROEN

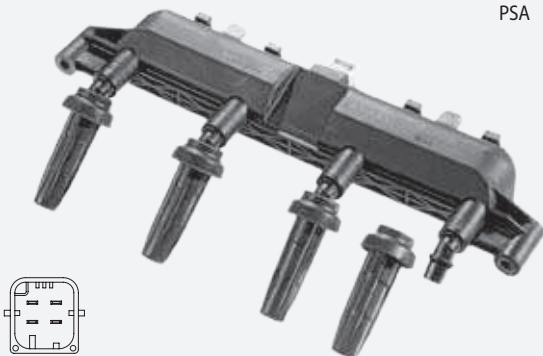
Berlingo (MF)	1.4 i	09.05-	55	KFX/KFW
Berlingo Van (M_)	1.4 i	09.05-	55	KFX/KFW
Saxo (S0, S1)	1.4 VTS	02.98-05.00	55	KFX/KFW
	1.6 VTL,VTR	06.98-06.03	65	NFZ (TU5JP)
Xsara (N1)	1.4 i	04.97-03.05	55	KFX (TU3JP)
	1.6 i	04.97-09.00	65	NFZ (TU5JP)
Xsara Break (N2)	1.4 i	10.97-08.05	55	KFX (TU3JP)
	1.6 i	10.97-09.00	65	NFZ (TU5JP)
Xsara Coupe (N0)	1.4 i	03.98-03.05	55	KFX/KFW

PEUGEOT

106 II (1)	1.4 i	06.97-06.00	55	KFX/KFW
206 CC (2A/C)	1.1	08.98-07.00	40	
	1.4 i	09.98-02.00	55	KFX/KFW
	1.6 i	09.98-12.00	65	NFZ (TU5JP)
306 (7B, N3, N5)	1.4 SL	06.97-05.00	55	KDX/KFX/KFW
	1.6 SR	07.98-10.00	65	NFZ (TU5JP)
306 Break	1.4	06.98-06.00	55	KFX/KFW
	1.6	07.98-10.00	65	NFZ (TU5JP)
Partner Combispac	1.4	06.96-08.02	55	KFX (TU3JP)

CL111

OEM-No.

 PSA 5963.19
 5970.78
 5970.79
 5970.A8
 96 358 648
 96 358 649

CITROEN

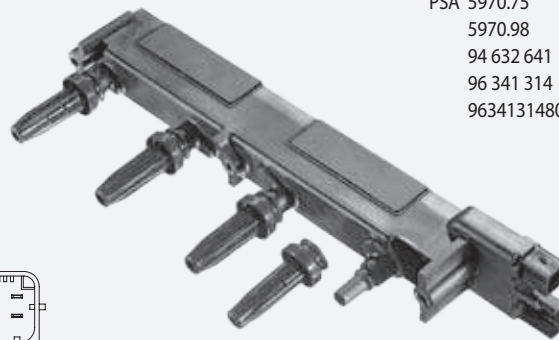
Berlingo (MF)	1.4 i	09.00-	55	KFX/KFW
Berlingo Van (M_)	1.4 i	09.00-	55	KFX/KFW
C2 (JM_)	1.1	09.03-	44	HFX (TU1JP)
	1.4	09.03-	54	KFV (TU3JP)
C3 I (FC_)	1.1 i	02.02-	44	HFX (TU1_)
	1.4 16V	12.03-	65	KFU (ET3J4)
	1.4 i Bivalent	02.02-	54	KFV (TU3JP)
C3 Pluriel (HB_)	1.4	05.03-	54	KFV (TU3JP)
Saxo (S0, S1)	1.1 X,SX	05.96-09.03	40	HDZ (TU1M)
	1.1 X,SX	09.00-09.03	44	HFX (TU1JP)
	1.4 VTS	06.00-06.03	55	KFX/KFW
	1.6	06.98-06.03	66	NFZ (TU5JP)
	1.6	02.01-04.04	74	NFT
	1.6 VTS	09.00-09.03	72	NFT
	1.6 VTS	06.96-09.03	87	NFX (TU5JP4)
Xsara (N1)	1.4 i	04.97-03.05	55	KFX (TU3JP)
Xsara Break (N2)	1.4 i	10.97-08.05	55	KFX (TU3JP)
Xsara Coupe (N0)	1.4 i	03.98-03.05	55	KFX/KFW

< CL111
PEUGEOT

106 II (1)	1.1 i	06.00-	40	HDY (TU1M)
	1.1 i	05.96-	44	HFX (TU1JP)
	1.4 i	06.00-	55	KFX/KFW
1007 (KM_)	1.4	04.05-	54	KFV (TU3JP)
206 CC (2A/C)	1.1 i	09.98-	44	HFZ/HFX
	1.4 i	03.00-02.09	55	KFX/KFW
206 SW (2E/K)	1.1	07.02-	44	HFX (TU1JP)
	1.4	07.02-	55	KFV/KFW
	1.4 16V	10.03-	65	KFU (ET3J4)
306 (7B, N3, N5)	1.4 SL	06.00-05.01	55	KDX/KFX/KFW
	1.6	10.00-05.01	72	NFT
306 Break	1.4	03.97-04.02	55	KFX/KFW
	1.6	10.00-04.02	72	NFT
306 Cabriolet	1.6	10.00-04.02	72	NFT
306 CC (7_, N_)	1.4	06.97-05.01	55	KDX/KFX/KFW
	1.6	10.00-05.01	72	NFT
307 (3A/C)	1.4	08.00-	55	KFW (TU3JP)
307 Break (3E)	1.4 16V	11.03-	65	KFU (ET3J4)
307 SW (3H)	1.4 16V	11.03-	65	KFU (ET3J4)
Partner Combispac	1.4	09.00-	55	KFX/KFW
Partner Van (5)	1.4 BiFuel	04.03-	55	KFW (TU3JP)

CL112

OEM-No.

 PSA 5970.75
 5970.98
 94 632 641
 96 341 314
 9634131480

CITROEN

C4 Coupe (LA_)	2.0 16V	11.04-07.07	100	RFN (EW10J4)
C4 I (LC_)	2.0 16V	11.04-07.07	100	RFN (EW10J4)
C5 I (DC_)	1.8 16V	03.01-08.04	85	6FZ (EW7J4)
	2.0 16V	03.01-08.04	100	RFN (EW10J4)
C5 I Break (DE_)	1.8 16V	06.01-08.04	85	6FZ (EW7J4)
	2.0 16V	06.01-08.04	100	RFN (EW10J4)
C5 II (RC_)	1.8 16V	09.04-	85	6FZ (EW7J4)
C5 II Break (RE_)	1.8 16V	09.04-	85	6FZ (EW7J4)
C8 (EA_, EB_)	2.0	07.02-	100	RFN (EW10J4)
Evasion (22, U6)	2.0 16V	05.00-07.02	100	RFN (EW10J4)
Jumpy (U6U)	2.0	04.00-12.06	100	RFN (EW10J4)
	2.0 i 16V	03.00-	102	
Jumpy Van	2.0 i 16V	03.00-	102	RFN (EW10J4)
Xsara (N1)	2.0 16V	09.00-03.05	100	RFN (EW10J4)
Xsara Break (N2)	2.0 16V	09.00-08.05	100	RFN (EW10J4)
Xsara Coupe (N0)	2.0 16V	09.00-03.05	100	RFN (EW10J4)
Xsara Picasso (N68)	1.8 16V	02.00-	85	6FZ (EW7J4)
	2.0 16V	01.03-	100	RFN (EW10J4)

FIAT

Scudo Combinato	2.0 16V	06.00-12.06	100	RFN (EW10J4)
Scudo Van (220L)	2.0	05.00-12.06	100	RFN (EW10J4)
Ulysse (179AX)	2.0	08.02-06.11	100	RFN (EW10J4)
Ulysse (220)	2.0 16V	09.00-08.02	100	RFN (EW10J4)

PEUGEOT

206 CC (2A/C)	2.0 RC	07.03-	130	RFK (EW10J4S)
	2.0 S16	04.99-10.00	99	RFR (DEW10J4)
	2.0 S16	06.99-	100	RFN (EW10J4)
206 CC (2D)	2.0 S16	09.00-	100	RFN (EW10J4)
206 SW (2E/K)	2.0 16V	07.02-	100	RFN (EW10J4)
307 (3A/C)	2.0 16V	08.00-	100	RFN (EW10J4)
307 Break (3E)	2.0	03.02-	100	RFN (EW10J4)
307 CC (3B)	2.0 16V	10.03-	100	RFN (EW10J4)

CL112

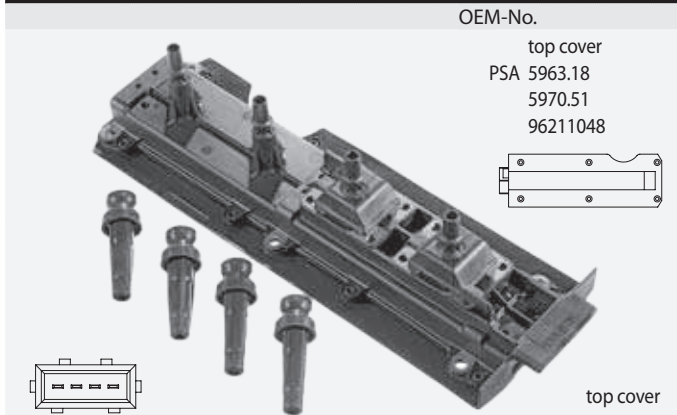

CL112

< CL112

PEUGEOT

307 SW (3H)	2.0 16V	03.02-	100	RFN (EW10J4)
406 (8B)	1.8 16V	10.00-05.04	85	6FZ (EW7J4)
	2.0 16V	01.99-08.00	99	RFR (DEW10J4)
	2.0 16V	08.00-06.04	100	RFN (EW10J4)
406 Break (8E/F)	1.8 16V	10.00-10.04	85	6FZ (EW7J4)
	2.0 16V	01.99-10.00	99	RFR (DEW10J4)
	2.0 16V	10.00-10.04	100	RFN (EW10J4)
406 Coupe (8C)	2.0 16V	01.99-10.00	99	RFR (DEW10J4)
	2.0 16V	10.00-12.04	100	RFN (EW10J4)
407 (6D_)	1.8	05.04-	85	6FZ (EW7J4)
	2.0	05.04-	100	RFN (EW10J4)
407 SW (6E_)	1.8	05.04-	85	6FZ (EW7J4)
	2.0	05.04-	100	RFN (EW10J4)
607 (9D, 9U)	2.0	02.00-	100	RFN (EW10J4)
806 (221)	2.0 16V	09.00-08.02	100	RFN (EW10J4)
807 (E)	2.0	06.02-	100	RFN (EW10J4)
Expert (224)	2.0	07.00-	100	RFN (EW10J4)
Expert Van (222)	2.0	09.02-	100	RFN (EW10J4)

CL113



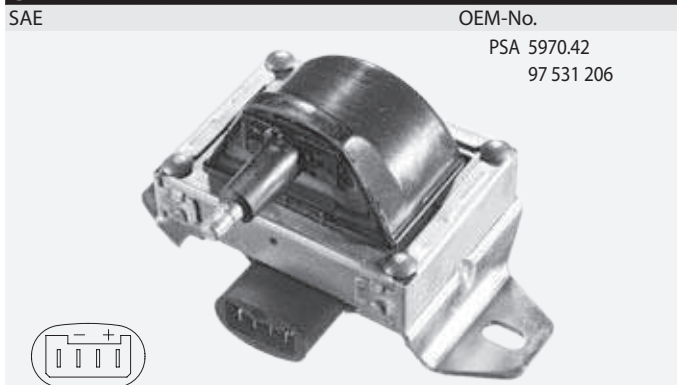
CITROEN

Xantia (X1)	2.0 i 16V	06.95-09.97	97	RFV (XU10J4R)
Xantia Break (X1)	2.0 i 16V	06.95-09.97	97	RFV (XU10J4R)
XM (Y4)	2.0 i 16V	07.94-10.00	97	RFV (XU10J4R)
XM Break (Y4)	2.0 i 16V	07.94-10.00	97	RFV (XU10J4R)

PEUGEOT

306 (7B, N3, N5)	2.0	03.97-09.97	97	RFV (XU10J4R)
306 Cabriolet	2.0 16V	03.97-09.97	97	RFV (XU10J4R)
306 CC (7_, N_)	2.0 16V	03.97-09.97	97	RFV (XU10J4R)
406 (8B)	2.0 16V	11.95-09.97	97	RFV (XU10J4R)
406 Break (8E/F)	2.0 16V	11.96-11.97	97	RFV (XU10J4R)
406 Coupe (8C)	2.0 16V	05.97-09.97	97	RFV (XU10J4R)
605 (6B)	2.0 16V	07.94-05.99	97	RFV (XU10J4R)

CL114



CITROEN

BX (XB_)	15	10.87-05.92	59	B1E (XU51C)
	16	01.87-02.93	53	B1E (XU51C)
	16	09.89-02.93	55	BAZ/BAY (XU5CP)
	16	07.85-02.93	64	171D

ignition coils



< CL114

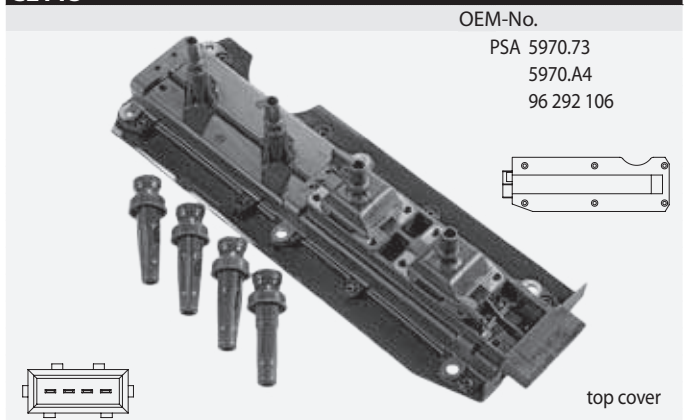
CITROEN

BX (XB_)	16 E	09.89-03.91	65	BDY/BDZ (XU5M)
	19	09.86-11.89	70	D2C (XU92C)
	19	07.86-05.89	75	159A
	19 E	06.88-02.93	80	DDZ (XU9M)
	19 E 4x4	04.89-02.93	80	D2F
	19 GTi	06.88-02.93	88	DKZ (XU9JA)
	19 GTi	07.86-02.93	90	D6A (XU9J2)
	19 GTi 16V	03.88-02.93	108	DFW (XU9J4)
	19 GTi 16V	09.87-12.88	116	D6C (XU9J4)
	19 GTi 4x4	06.88-02.93	88	DKZ (XU9JA)
	BX Break (XB_)	15	04.88-05.92	59
16		09.88-12.94	53	B1E (XU51C)
16		07.85-12.94	64	171D
16		05.89-03.91	65	BDY/BDZ (XU5M)
19		12.87-12.89	70	D2C (XU92C)
19		06.88-04.90	80	DDZ (XU9M)
C15 (VD_)	19	06.88-12.94	88	DKZ (XU9JA)
	1.3	07.87-05.88	47	G1A

PEUGEOT

205 II (20A/C)	1.6	10.87-09.98	53	B1E (XU51C)	
	1.6	01.90-09.98	55	B1A (XU51C)	
309 I (10C, 10A)	1.6	01.86-07.89	69		
309 II (3C, 3A)	1.1	08.90-12.93	44	HDZ (TU1M)	
	1.6	07.89-12.93	65	BDY/BDZ/BDY	
	1.6	07.89-12.93	68	B2A (XU52C/K)	
	1.6	07.89-12.93	69	B2A (XU52C/K)	
	1.9 GTi 16V	10.90-12.93	108	DFW (XU9J4Z)	
	1.9 GTi 16V	08.89-07.90	116	D6C (XU9J4)	
	405 I (15B)	1.6	07.87-12.92	53	B1E (XU51C)
		1.6	07.87-06.88	55	B1E/BAZ
		1.6	07.87-09.90	65	BDY/BDZ
		1.6	10.89-12.92	66	BDZ (XU5M)
1.6		01.87-12.92	69	B2A (XU52C/K)	
1.6 4x4		04.88-07.92	65	BDZ (XU5M)	
1.9		07.87-12.92	70	D2C (XU92C)	
1.9		07.88-12.92	88	DKZ (XU9JAZ)	
1.9 Sport MI-16		04.88-12.92	108	DFW (XU9J4Z)	
1.9 Sport 4x4		04.88-12.92	108	DFW (XU9J4Z)	
1.9 Sport MI-16		07.87-11.91	116	D6C (XU9J4)	
405 I Break (15E)	1.6	10.88-08.92	55	BAZ (XU5CP)	
	1.6	10.88-09.90	65	BDY/BDZ	
	1.6	10.88-08.92	66	BDZ (XU5M)	
	1.6 SRI 4x4	04.88-07.92	65	BDZ (XU5M)	
	1.9	10.88-08.92	70	D2C (XU92C)	
1.9	10.88-08.92	88	DKZ (XU9JAZ)		

CL115



CITROEN

Evasion (22, U6)	2.0 16V	05.98-04.00	97	RFV (XU10J4R)
Xantia (X1)	1.8 i 16V	08.97-01.98	81	LFY (XU7JP4)
	2.0 i 16V	09.97-01.98	97	RFV (XU10J4R)
Xantia (X2)	1.8 i 16V	01.98-04.03	81	LFY (XU7JP4)
	2.0 i 16V	01.98-04.03	97	RFV (XU10J4R)
Xantia Break (X1)	1.8 i 16V	07.97-01.98	81	LFY (XU7JP4)
	2.0 i 16V	09.97-01.98	97	RFV (XU10J4R)

< CL115
CITROEN

Xantia Break (X2)	1.8 i 16V	01.98-04.03	81	LFY (XU7JP4)
	2.0 i 16V	01.98-04.03	97	RFV (XU10J4R)
XM (Y4)	2.0 i 16V	09.97-10.00	97	RFV (XU10J4R)
XM Break (Y4)	2.0 i 16V	09.97-10.00	97	RFV (XU10J4R)
Xsara (N1)	1.8 i 16V	04.97-09.00	81	LFY (XU7JP4)
	2.0 16V	07.98-09.00	97	RFV (XU10J4R)
Xsara Break (N2)	1.8 i 16V	10.97-09.00	81	LFY (XU7JP4)
	2.0 16V	07.98-09.00	97	RFV (XU10J4R)
Xsara Coupe (N0)	1.8 i 16V	02.98-09.00	81	LFY (XU7JP4)

PEUGEOT

306 (7B, N3, N5)	1.8 16V	09.97-05.01	81	LFY (XU7JP4)
	2.0	09.97-05.01	97	RFV (XU10J4R)
306 Break	1.8 16V	09.97-04.02	81	LFY (XU7JP4)
	2.0	03.97-04.02	97	RFV (XU10J4R)
306 Cabriolet	1.8 16V	07.00-04.02	81	LFY (XU7JP4)
	2.0 16V	09.97-04.02	97	RFV (XU10J4R)
306 CC (7_, N_)	1.8 16V	09.97-05.01	81	LFY (XU7JP4)
	2.0 16V	09.97-05.01	97	RFV (XU10J4R)
406 (8B)	1.8 16V	09.97-10.00	81	LFY (XU7JP4)
	2.0 16V	09.97-05.04	97	RFV (XU10J4R)
406 Break (8E/F)	1.8 16V	09.97-10.00	81	LFY (XU7JP4)
	2.0 16V	09.97-04.04	97	RFV (XU10J4R)
406 Coupe (8C)	2.0 16V	05.97-04.99	97	RFV (XU10J4R)
605 (6B)	2.0 16V	09.97-09.99	97	RFV (XU10J4R)
806 (221)	2.0 16V	05.98-09.00	97	RFV (XU10J4R)

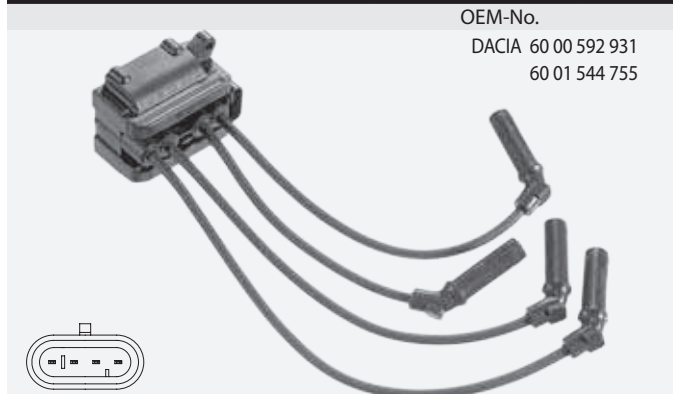
CL116

DACIA

				OEM-No.
Dokker	1.6	11.12-	61	K7M 812/K7M 828
	1.6 LPG	11.13-	61	K7M 812/K7M 828
	Dokker Express	1.6 16V	12.12-	61
Lodgy	1.6 LPG	11.13-	61	K7M 812/K7M 828
	1.6	03.12-	61	K7M 812/K7M 828
Logan (LS_)	1.6 LPG	11.13-	61	K7M 812/K7M 828
	1.4	09.04-	55	K7J 710
	1.4 MPI LPG	02.06-	55	K7J 714/K7J 710
	1.6	09.04-	64	K7M 710
	1.6 BiFuel	05.10-	62	K7M 718
	1.6 MPI 85	05.10-	62	K7M 800
Logan Express (FS_)	1.4	03.09-	55	K7J 710
	1.6	03.09-	64	K7M 710
	1.6 MPI 85	05.10-	62	K7M 800
Logan MCV (KS_)	1.4	02.07-	55	K7J 710
	1.6	02.07-	64	K7M 710
	1.6 BiFuel	11.08-	64	K7M 710
	1.6 MPI 85	05.10-	62	K7M 800
Logan Pick-up (US_)	1.4	01.09-	55	K7J 710
	1.6	03.08-	64	K7M 710
	1.6 BiFuel	05.10-	62	K7M 800
	1.6 MPI 85	05.10-	62	K7M 800
Sandero	1.4	06.08-	55	K7J 710
	1.4 MPI LPG	01.09-	53	K7J 714
	1.6	06.08-	64	K7M 710
	1.6 MPI 85	05.10-	62	K7M 800
Sandero II	1.6	11.12-	61	K7M 812

< CL116
DACIA

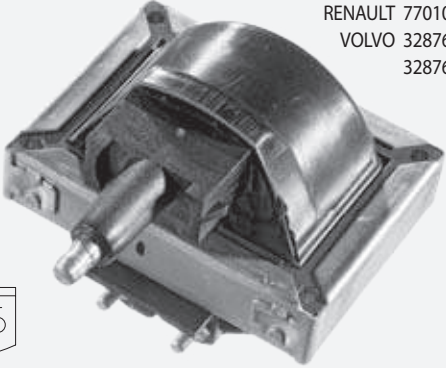

Solenza	1.4	02.03-	55	K7J 710
LADA (VAZ)				
Largus Combi	1.6	03.12-	62	VAZ-K7M
Largus Van	1.6	03.12-	62	VAZ-K7M
NISSAN				
Kubistar (X76)	1.2	08.03-10.09	44	D7F 764
	1.2 16V	04.06-10.09	55	D4F 712
Kubistar Van (X80)	1.2	08.03-	44	D7F 764
	1.2 16V	04.06-	55	D4F 712
RENAULT				
Clio II	1.2	10.99-	43	D7F 76_/D7F 72_
	1.2	03.99-05.01	44	D7F 722
	1.2	06.01-	55	
Clio II Van (SB0/1/2_)	1.2	03.99-10.03	44	D7F 72_/D7F 746
Clio III (BR0/1, CR0/1)	1.2 16V	09.10-	76	D4F 786
Kangoo (KC0/1_)	1.2	10.99-	43	D7F 710/D7F 72_
Kangoo Express (FC)	1.2	10.99-	43	D7F 710/D7F 72_
	1.2	07.98-07.01	44	D7F 766/D7F 764
Logan I (LS_)	1.4	09.04-	55	K7J 710
	1.6	09.04-	64	K7M 710
Logan I Combi (KS_)	1.4	10.07-	55	K7J 710
	1.6	04.07-	64	K7M 710
	1.4 e	02.99-08.03	55	E7J 626
Megane I (BA)	1.6 e	03.97-03.99	66	K7M 702/_703/_790
	1.6 i	03.97-03.99	55	K7M 720
	1.6 e	04.97-03.99	66	K7M 702/K7M 703
Megane I Cabriolet	2.0 16V IDE	11.99-08.03	103	F5R 740
	1.4	02.99-08.03	55	E7J 626
Megane I Classic (LA)	1.6 e	04.97-03.99	66	K7M 702/_703/_790
	1.6 i	03.97-03.99	55	K7M 720
	1.6 e	03.97-03.99	66	K7M 702/K7M 703
Megane I Coach (DA)	2.0 16V IDE	11.99-08.03	103	F5R 740
	1.4 e	03.99-08.03	55	E7J 626
Megane I Grandtour	1.6 e	03.99-08.03	66	K7M 702/K7M 703
	1.6 e	04.97-10.99	66	K7M 702/K7M 703
Megane Scenic (JA)	1.6 i	04.97-09.99	55	K7M 720
	1.2	04.11-	76	D4F 786
Modus / Grand Modus	1.2 16V	05.07-	74	D4F 784
	1.4	02.09-	55	K7J 710
Sandero/Stepway I	1.6	11.10-	62	K7M 718
	1.6	02.09-	64	K7M 710
	1.6	12.07-	75	K7M 710
	1.4	08.00-	55	K7J 700
Thalia I (LB0/1/2_)	1.4	09.08-06.14	55	K7J 700
Thalia II (LU1/2_)	1.2	11.98-	40	D7F 700/D7F 701
	1.2	11.98-06.07	43	D7F 70_
Twingo I (C06_)	1.2	03.07-	43	D7F 800
	1.2 Turbo	03.07-	74	D4F 780/D4F 782

CL117

DACIA

				OEM-No.
Logan (LS_)	1.4	09.04-	55	K7J 710

CL118

SAE	OEM-No.
	RENAULT 7701031135
	VOLVO 3287677
	32876773

RENAULT			
9 (L42_)	1.4	09.85-12.88	49 C2J 76_/C2J 720
	1.7	10.86-12.88	54 F3N 718
	1.7	10.86-12.88	55 F2N 730
	1.7	09.84-12.89	59 F2N 704/F2N 700
	1.7	10.86-12.88	65 F2N 798/_710/_708
	1.7	06.87-12.88	69 F3N 708
11 (B/C37_)	1.4	03.83-12.88	44 C1J 715/C2J 730
	1.4	05.83-12.85	53 C2J 717/C2J 755
	1.4 Turbo	04.84-12.86	77 C1J 764/C1J 760
	1.4 Turbo	10.86-12.88	85 C1J 770/C1J 782
	1.7	10.86-12.88	54 F2N 730
	1.7	10.84-12.88	55 F3N 718
	1.7	10.83-12.87	59 F2N 704/F2N 700
	1.7	06.87-12.88	64 F2N 732/F2N 742
	1.7	10.86-12.88	65 F2N 798/_710/_708
18 (134_)	2.2 i	06.84-07.86	76 J7T 718
19 I (B/C53_)	1.4	01.88-12.92	59 E6J 701
	1.4 cat	01.89-04.92	43 C3J 710
	1.4	01.89-12.89	43 C2J 772
	1.7	09.88-04.92	54 F3N 741/F3N 740
	1.7	09.88-04.92	66 F3N 743/F3N 742
	1.8 16V	06.89-04.92	99 F7P 704
19 I Chamade (L53_)	1.4	07.88-04.92	43 C3J 710/C2J 772
	1.7	07.88-04.92	66 F3N 743/F3N 742
	1.7	08.88-12.92	79 F3N 746
	1.8 16V	10.89-04.92	99 F7P 704
19 II (B/C53_)	1.2	04.92-12.95	40 C1G 730
	1.4	04.92-12.95	43 C3J 710
	1.4	01.92-12.95	55 E7J 742
	1.4	01.92-12.95	59 E7J 706/E6J 700
	1.7	04.92-12.95	54 F3N 741/F3N 740
	1.7	04.92-12.95	66 F3N 743
	1.8	04.92-12.95	65 F3P 70_/F3P 760
	1.8	04.92-12.95	66 F3P 706/F3P 760
	1.8	04.92-05.94	81 F3P 700
	1.8 16V	04.92-12.95	99 F7P 704
	19 II Cabriolet	1.7	04.92-09.93
1.8		04.92-06.96	65 F3P 70_/F3P 760
1.8		09.93-06.96	66 F3P 706/F3P 760
1.8		07.94-06.96	79 F3P 765/_682/_764
1.8 16V		04.92-06.96	99 F7P 704
19 II Chamade (L53_)	1.4	04.92-12.95	43 C3J 710
	1.4	11.93-12.95	55 E7J 742
	1.4	10.94-11.95	57 E6J 700
	1.4	10.94-11.95	59 E7J 706
	1.7	04.92-12.95	54 F3N 741/F3N 740
	1.7	05.92-11.95	55 F3N 741/F3N 740
	1.7	04.92-12.95	66 F3N 743
	1.7	01.93-08.95	68 F2N 720/F2N 721
	1.8	04.92-12.95	65 F3P 70_/F3P 760
	1.8	04.92-12.95	66 F3P 706/F3P 760
	1.8	05.92-09.94	67 F3P 765
	1.8	05.92-11.95	79 F3P 706/F3P 700
	1.8	04.92-05.94	81 F3P 700
	1.8 16V	04.92-12.95	99 F7P 704
19 II Van (S53_)	1.2	03.92-12.95	40 C1G 730

< CL118

RENAULT				
21 (B48_)	1.7	09.89-10.92	54 F3N 726	
	1.7	07.89-05.93	55 F2N 712/F3N 726	
	1.7	09.89-06.94	66 F3N 723/F3N 722	
	2.0	02.90-10.92	99 J7R 740	
	2.0 4x4	09.90-10.92	99 J7R 740	
	2.2	09.89-06.94	79 J7T 754/J7T 755	
	2.2 4x4	07.90-06.94	79 J7T 754/J7T 755	
	21 Combi (K48_)	1.7	06.86-12.89	54 F2N 750
		1.7	06.86-03.93	55 F2N 712
1.7		06.87-04.89	64 F2N 752	
1.7		10.86-12.88	65 F2N 710	
1.7		10.89-12.93	66 F3N 723/F3N 722	
1.7		06.86-12.89	69 F3N 723/F3N 722	
1.7 cat		05.88-06.93	54 F3N 726	
2.0		06.91-05.93	75 J6R 759/_758/_792	
2.0		06.86-12.88	85 J7R 750/J7R 751	
2.0		03.86-12.93	88 J7R 747/J7R 746	
21 Sedan (L48_)	2.0	06.90-02.94	99 J7R 740	
	2.0 4x4	03.89-12.93	88 J7R 747/J7R 746	
	2.2	06.86-11.93	79 J7T 754/J7T 755	
	2.2 4x4	06.86-12.93	79 J7T 754/J7T 755	
	1.7	07.86-02.94	54 F3N 726/F2N 750	
	1.7	03.86-12.87	55 F2N 712	
	1.7	06.87-04.89	64 F2N 752	
	1.7	03.86-03.93	65 F2N 710	
	1.7	03.86-02.94	69 F3N 723/F3N 722	
25 (B29_)	1.7	09.89-02.94	66 F3N 723/F3N 722	
	2.0	03.86-10.93	75 J6R 759/J6R 758	
	2.0	04.88-06.89	76 J6R 793/J6R 792	
	2.0	05.91-10.93	78 J6R 758	
	2.0	03.86-12.88	85 J7R 750/J7R 751	
	2.0	03.86-12.93	88 J7R 747/J7R 746	
	2.0	02.90-06.94	99 J7R 740	
	2.0 4x4	12.89-02.94	99 J7R 740	
	2.0 Turbo	02.90-10.92	119 J7R 756	
	2.0 Turbo	04.87-03.90	129 J7R 752	
	2.0 Turbo 4x4	02.90-10.92	119 J7R 756	
	2.0 Turbo 4x4	08.89-10.93	129 J7R 752	
	2.2	07.86-02.94	79 J7T 754/J7T 755	
	2.2 4x4	07.90-02.94	79 J7T 754/J7T 755	
	2.0	04.84-12.92	74 J6R 76_/J6R 70_	
	2.0	03.87-12.93	88 J7R 723/J7R 722	
	2.0 12V	06.89-12.92	99 J7R 726	
2.0 12V	06.88-12.93	103 J7R 721/J7R 720		
2.2	11.85-03.89	76		
2.2	09.86-12.92	79 J7T 708/_733/_732		
2.2	04.84-12.89	89 J7T 715		
2.2	04.84-12.89	91 J7T 730/J7T 731		
2.4 V6 Turbo	10.84-05.90	133 Z7U 702		
2.5 V6 Turbo	01.90-12.92	151 Z7U 700		
2.8 V6	06.87-02.90	115 Z7W 700		
2.8 V6 Injection	06.87-12.92	110 Z7W 706/_707/_709		
Clio I (B/C57_5/357_)	1.2	01.91-06.96	40 E7F 706	
	1.2	05.90-09.98	43 E7F 750	
	1.2	05.90-03.96	44 E5F 710	
	1.4	01.91-09.98	55 E7J 756/E7J 757	
	1.4	01.91-09.98	58 E7J 719/E7J 718	
	1.4	01.91-09.98	59 E7J 711	
	1.8	01.91-09.98	65 F3P 710/F3P 714	
	1.8	08.90-04.96	66 F3P 755	
	1.8	08.94-09.98	66 F3P 755/F3P 754	
	1.8 16V	01.91-03.96	99 F7P 722	
	1.8 RSi	08.95-09.98	79 F3P 758	
	1.8 RSi	01.93-08.95	80 F3P 712	
	2.0 Williams	01.94-09.98	108 F7R 700	
	Clio I Van (S57_)	1.2	01.91-09.98	40 E7F 706
2.0		01.88-12.90	74 J6R 734	
Espace I (J11_)	2.0	07.84-12.90	80 J6R 234/J6R 236	
	2.0 i	01.89-12.90	87 J7R 760	
	2.0 i Quadra	03.88-12.92	87 J7R 760	
	2.2	07.86-12.90	79 J7T 770	

< CL118
RENAULT

Espace I (J11_)	2.2 Quadra	01.88-12.90	79	J7T 770
Espace II (J/S63_)	2.0	01.91-10.96	76	J7R 768
	2.2	01.91-10.96	79	J7T 772/ 776/ 773
	2.2 4x4	03.91-12.96	79	J7T 772/J7T 773
	2.8 V6	01.91-10.96	110	Z7W 717/ 712/ 713
Laguna I (B56_, 556_)	1.8	11.93-03.01	66	F3P 720/F3P 724
	1.8	08.95-03.01	66	F3P 678
	1.8	08.95-03.01	69	F3P 720/F3P 724
	2.0	11.93-03.01	83	F3R 722/F3R 723
Laguna I Grandtour	1.8	09.95-03.01	66	F3P 678
	1.8	09.95-03.01	69	F3P 720/F3P 724
	2.0	09.95-03.01	83	F3R 722/F3R 723
Megane I (BA)	1.4 e	01.96-02.99	55	E7J 764
	1.4 Eco	01.96-03.99	52	E7J 624
Megane I Classic (LA)	1.4	09.96-02.99	55	E7J 764
Megane Scenic (JA)	1.4 i	01.97-09.99	55	E7J 764
Rapid Van (F40, G40)	1.4	07.85-08.91	43	C1J 780/C1J 768
	1.4	03.86-08.91	44	C2J 784
	1.4	09.91-03.98	55	E7J 720/E7J 724
	1.4	01.94-03.98	58	E7J 728
	1.4 cat	08.88-03.98	43	C3J 76_/C3J 70_
Safrane I (B54_)	2.0	11.92-07.96	77	J7R 732/J7R 733
	2.0 12V	04.92-07.96	97	J7R 735/J7R 734
	2.2	04.92-07.96	79	J7T 762
	2.2	04.92-07.96	101	J7T 760/J7T 761
	3.0 Biturbo 4x4	02.93-07.96	193	Z7X 726
	3.0 V6	12.92-07.96	123	Z7X 72_/Z7X 753
	3.0 V6 4x4	12.92-07.96	123	Z7X 721/ 723/ 722
Safrane II (B54_)	3.0 V6	07.96-12.00	123	Z7X 755
Super 5 (B/C40_)	1.4	10.84-06.88	43	C1J 780/C1J 768
	1.4	06.87-08.90	44	C2J 784
	1.4	06.87-07.89	49	C2J 782
	1.4	10.84-07.89	52	C2J 78_/C2J 700
	1.4 cat	10.85-12.96	43	C3J 700/ 702/ 760
	1.4 Turbo	04.85-08.90	88	C1J 784/ 782/ 788
	1.7	10.86-03.95	54	F3N 716 /F3N 717
	1.7	06.87-03.95	64	F2N 742/F2N 740
	1.7 i	10.86-08.91	69	F3N 722/F3N 702
Trafic Bus (T5, T6, T7)	1.7	06.86-04.89	50	F1N 724
	2.0	06.86-04.89	59	J5R 722/ 716/ 726
	2.0 4x4	06.86-04.89	59	J5R 722/ 716/ 726
Trafic Bus (TXW)	1.7	08.92-08.94	50	F1N 724
	2.0	05.89-08.90	59	J5R 726
	2.2	05.89-06.94	70	J7T 780
	2.2	06.94-10.97	74	J7T 600
	2.2 4x4	05.89-06.94	70	J7T 780
	2.2 4x4	06.94-10.97	74	J7T 600
Trafic Flatbed (P6)	1.7	06.86-04.89	50	F1N 722
	2.0	03.80-04.89	59	J5R 726
Trafic Flatbed (PXX)	1.7	05.89-08.94	50	F1N 722
	2.0	03.89-12.91	60	J5R 726
	2.0 RWD	05.89-10.97	59	J5R 726
	2.2	05.89-06.94	70	J7T 780
	2.2	09.94-04.98	74	J7T 600
	2.2 4x4	09.94-04.98	74	J7T 600
Trafic Van (T1, T3, T4)	1.7	06.86-04.89	50	F1N 724
	2.0	06.86-04.89	59	J5R 722/ 716/ 726
	2.0 4x4	06.86-04.89	59	J5R 722/ 716/ 726
Trafic Van (TXX)	1.7	08.92-08.94	50	F1N 720
	2.0	05.89-08.90	59	J5R 716
	2.2	05.89-06.94	70	J7T 780
	2.2	06.94-10.97	74	J7T 600
	2.2 4x4	05.89-06.94	70	J7T 780
	2.2 4x4	06.94-10.97	74	J7T 600

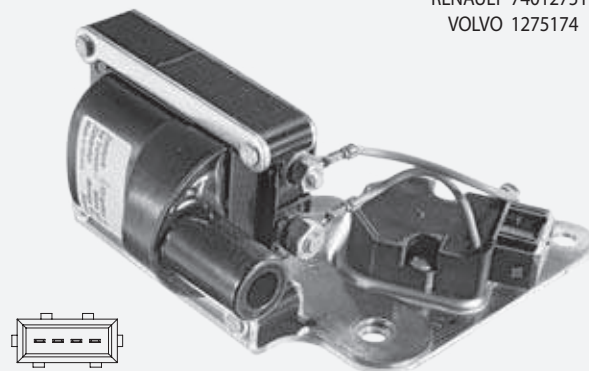
VOLVO

340-360 (343, 345)	1.4	08.82-08.85	46	B 14.3 E
	1.4	08.86-12.88	50	B 14.4 S
	1.4	08.87-07.88	51	B 14.4 S
	1.7	08.85-07.91	59	B 17 2 K
	2.0	08.84-07.87	77	B 200 K
	2.0	08.88-07.89	80	B 200 F

< CL118
VOLVO

340-360 (343, 345)	2.0	08.87-07.88	81	B 200 F
	2.0	08.86-07.88	82	B 200 E/B 200 F
	2.0	08.84-07.86	87	B 200 E
340-360 Sedan (344)	1.4	08.87-07.88	51	B 14.4 S
	1.7	08.85-07.91	59	B 17 2 K
	2.0	08.84-07.90	75	B 200 K
	2.0	08.84-07.87	77	B 200 K
	2.0	08.87-07.88	81	B 200 EA
	2.0	08.86-07.88	82	B 200 EA
	2.0	08.84-07.86	85	B 200 E
	2.0	08.84-07.86	87	B 200 E
440 K (445)	1.6	09.88-12.96	61	B 16 F
	1.7	09.88-12.96	64	B 18 KP
	1.7	08.88-07.89	70	B 18 F
	1.7	08.89-12.96	75	B 18 FP
	1.7	09.88-12.96	78	B 18 EP
	1.8	08.91-07.96	66	B 18 U
	1.8	09.95-12.96	66	B 18 U
	2.0	08.93-07.96	80	B 20 F
	2.0	08.92-07.95	81	B 20 F
460 L (464)	1.6	07.92-07.96	61	B 16 F
	1.7	09.88-07.96	64	B 18 KP
	1.7	08.89-07.92	75	B 18 EP
	1.8	08.91-07.96	66	B 18 U
	2.0	08.93-07.96	80	B 20 F
	2.0	08.92-07.95	81	B 20 F
480 E	1.7	08.87-07.89	70	B 18 F
	1.7	08.89-07.96	75	B 18 EP
	1.7	04.86-07.89	78	B 18 E
	1.7	08.86-07.88	80	B 18 E
	2.0	08.92-09.95	81	B 20 F

CL119
PIN
OEM-No.

 RENAULT 7401275174
 VOLVO 1275174

RENAULT

Safrane II (B54_)	2.5 20V	07.96-12.00	121	N7U 700/N7U 701
-------------------	---------	-------------	-----	-----------------

VOLVO

850 (LS)	2.0	08.94-12.96	93	B 5202 S
	2.0	06.91-12.96	105	B 5204 F
	2.0 Turbo	08.93-12.96	155	B 5204 T/B 5204FT
	2.3 T5	08.93-07.96	166	B 5234 FT
	2.3 T5-R	08.95-12.96	184	B 5234 T4
	2.5	06.91-07.94	103	B 5252
	2.5	08.94-12.96	106	B 5252 FS
	2.5	08.91-12.96	125	B 5254 S
850 Combi (LW)	2.0	08.94-12.96	93	B 5202 S
	2.0	02.93-12.96	105	B 5204 F
	2.0 Turbo	02.93-12.96	155	B 5204 T/B 5204FT
	2.3 T5	02.93-12.96	166	B 5234 FT
	2.3 T5-R	08.95-12.96	184	B 5234 T4
	2.5	08.92-07.94	103	B 5252
	2.5	08.94-12.96	106	B 5252 FS
	2.5	09.92-12.96	125	B 5254 S
	2.5 AWD	04.96-12.96	142	B 5254 T
C70 I Cabriolet	2.0	03.98-10.05	132	B 5204 T2
	2.0T	03.98-08.98	166	B 5204 T3

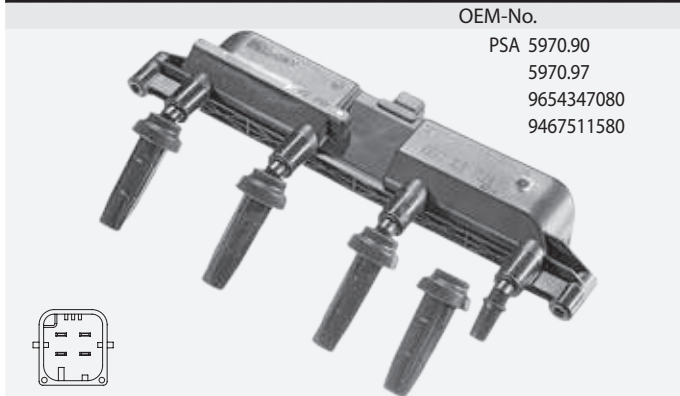
CL119

< CL119

VOLVO

C70 I Cabriolet	2.3 T5	03.98-08.98	176	B 5234 T3
	2.5 T	03.98-08.98	142	B 5254 T
C70 I Coupe	2.0	03.97-09.02	132	B 5204 T2
	2.0 T	03.97-07.98	166	B 5204 T3
	2.3 T-5	03.97-07.98	176	B 5234 T3
	2.5 T	03.97-09.02	142	B 5254 T
S70 (LS)	2.0	01.97-11.00	93	B 5202 S/B 5202 FS
	2.0	01.97-11.00	105	B 5204 F
	2.0	01.97-11.00	132	B 5204 T2
	2.0 Turbo	01.97-11.00	155	B 5204 T
	2.0 Turbo	01.97-11.00	166	B 5204 T3
	2.3	04.99-09.00	195	B 5234 T7
	2.3 T-5	01.97-07.98	176	B 5234 T3
	2.3 T5 AWD	07.97-09.00	184	B 5234 T4
	2.3 Turbo	01.97-11.00	184	B 5234 FT+
	2.4	01.97-11.00	125	B 5244 S/B 5254 S
	2.4 AWD	11.96-05.99	106	B 5252 FS
	2.4 T5 AWD	11.96-04.99	142	B 5254 T
	2.4 Turbo	01.97-07.98	142	B 5254 T/B 5244 T
	2.5	01.97-11.00	106	B 5252 FS
	2.5	06.98-11.00	121	B 5254 S
	2.5 BiFuel	10.98-11.00	106	GB 5252 S
V70 I (LV)	2.0	01.97-03.00	93	B 5202 S
	2.0	01.97-03.00	105	B 5204 F
	2.0	01.97-03.00	132	B 5204 T2
	2.0 Turbo	01.97-07.98	155	B 5204 T
	2.0 Turbo	01.97-07.98	166	B 5204 T3
	2.0 Turbo AWD	01.97-07.98	166	B 5204 T3
	2.3 AWD	04.97-07.98	177	B 5234 T3
	2.3 Turbo	01.97-03.00	184	B 5234 FT+
	2.3 T AWD	04.97-03.00	184	B 5234 T4
	2.3 T-5	01.97-07.98	176	B 5234 T3
	2.3 T-5 AWD	01.97-07.98	176	B 5234 T3
	2.4 Turbo	01.97-07.98	142	B 5254 T
	2.5	01.97-03.00	106	B 5252 FS
	2.5	06.98-03.00	121	B 5254 S
	2.5 BiFuel	10.98-08.99	106	GB 5252 S
2.5 Turbo AWD	01.97-07.98	142	B 5254 T/B 5244 T	

CL120



OEM-No.

PSA 5970.90
5970.97
9654347080
9467511580

CITROEN

Berlingo (MF)	1.4 i	06.98-	55	KFX/KFW
Berlingo Van (M_)	1.4 i	06.98-	55	KFX/KFW
C2 (JM_)	1.4	09.03-	54	KFV (TU3JP)
C3 II	1.1	11.09-	44	HFX (TU1JP)
	1.4	11.09-	54	KFT/KFV
C3 Pluriel (HB_)	1.4	05.03-	54	KFV (TU3JP)
Nemo Combi	1.4	04.09-	54	KFT/KFV
Nemo Van (AA_)	1.4	02.08-	54	KFV (TU3A)

PEUGEOT

1007 (KM_)	1.4	04.05-	54	KFV (TU3JP)
206 CC (2A/C)	1.4 i	09.98-	55	KFX/KFW
206 Sedan	1.4	03.07-	55	KFV/KFW
206+ (T3E)	1.1	01.09-	44	HFX
	1.4 i	01.09-	55	KFV/KFW
207 (WA_,WC_)	1.4	02.06-	53	KFV (TU3A)

ignition coils



< CL120

PEUGEOT

207 SW (WK_)	1.4	06.07-	54	KFV (TU3A)
Bipper (AA_)	1.4	02.08-	54	KFV (TU3A)
Bipper Tepee	1.4	04.08-	54	KFV (TU3A)
Partner Combispace	1.4	09.05-	55	KFX/KFW

CL121



OEM-No.
VOLVO 30713416
9125601

1 coil per cylinder

VOLVO

C70 I Cabriolet	2.0 T	03.00-10.05	120	B 5204 T4	
	2.0 T	08.98-10.05	166	B 5204 T3	
	2.3 T5	08.98-10.05	176	B 5234 T3	
	2.3 T5	07.02-10.05	180	B 5234 T9	
	2.4 T	07.02-10.05	147	B 5244 T7	
	2.5	06.98-10.05	125	B 5254 S	
C70 I Coupe	2.5 T	08.98-10.05	142	B 5254 T/B 5244 T	
	2.0 T	03.00-09.02	120	B 5204 T4	
	2.0 T	08.98-09.02	166	B 5204 T3	
	2.3 T-5	08.98-09.02	176	B 5234 T3	
	2.5	03.99-09.02	121	B 5254 S	
S60 I	2.5	05.99-09.02	125	B 5244 S/B 5254 S	
	2.0 T	07.00-07.04	132	B 5204 T5	
	2.3 T5	11.00-04.10	184	B 5234 T3	
	2.4	11.00-04.10	103	B 5244 S2	
	2.4	11.00-04.10	125	B 5244 S	
	2.4 BiFuel	06.02-04.10	103	B 5244 SG	
	2.5 T	02.04-04.10	154	B 5254 T2	
	2.5 T AWD	04.04-04.10	154	B 5254 T2	
	S70 (LS)	2.0	01.97-11.00	120	B 5204 T4
		2.0 Turbo	01.97-11.00	166	B 5204 T3
2.3		04.99-09.00	195	B 5234 T7	
2.3 T-5		08.98-11.00	176	B 5234 T3	
2.4		08.99-11.00	103	B 5244 S	
2.4		01.97-11.00	125	B 5244 S/B 5254 S	
2.4 AWD		04.99-09.00	103	B 5244 S2	
2.4 AWD		10.98-05.99	121	B 5254 S	
2.4 AWD		04.99-09.00	125	B 5244 S	
2.4 T5 AWD		08.98-04.99	142	B 5254 T	
2.4 Turbo		08.98-11.00	142	B 5254 T/B 5244 T	
2.5 BiFuel		07.99-11.00	103	B 5244 SG	
S80 I (TS, XY)	2.0	06.98-07.06	120	B 5204 T4	
	2.0 T	12.99-07.04	132	B 5204 T5	
	2.0 T	06.98-07.06	166	B 5204 T3	
	2.4	01.99-07.06	103	B 5244 S2	
	2.4	01.99-07.06	125	B 5244 S	
	2.4 BiFuel	09.01-07.06	103	B 5244 SG2	
	2.4 T	06.00-07.06	147	B 5244 T3	
	2.4 T5 AWD	04.00-09.03	147	B 5244 T3	
	2.5 T	03.03-07.06	154	B 5254 T2	
	2.5 T AWD	07.03-07.06	154	B 5254 T2	
	2.8 T6	05.98-07.06	200	B 6284 T	
	2.9	03.99-07.06	147	B 6294 S	
2.9	05.98-07.06	150	B 6304 S3		
3.0	06.01-07.06	144	B 6294 S2		
3.0 T6	06.01-07.06	200	B 6294 T		
V70 I (LV)	2.0	01.97-03.00	120	B 5204 T4	
	2.0 Turbo	08.98-03.00	155	B 5204 T	
	2.0 Turbo	08.98-03.00	166	B 5204 T3	

< CL121
VOLVO

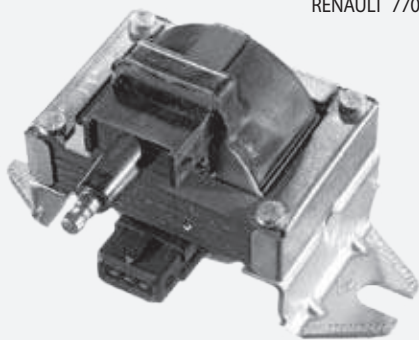
V70 I (LV)	2.0 Turbo AWD	08.98-03.00	166	B 5204 T3
	2.3 AWD	08.98-09.98	177	B 5234 T3
	2.3 T-5	08.98-03.00	176	B 5234 T3
	2.3 T-5 AWD	08.98-03.00	176	B 5234 T3
	2.4	08.99-05.00	103	B 5244 S
	2.4	01.97-05.00	125	B 5244 S/B 5254S
	2.4 AWD	10.98-05.99	121	B 5254 S
	2.4 BiFuel	08.99-03.00	103	B 5244 SG
	2.4 Turbo	08.98-03.00	142	B 5254 T/B 5244T
	2.5 Turbo AWD	08.98-05.00	142	B 5254 T/B 5244T
	V70 II (SW)	2.0 T	07.01-08.07	132
2.3 T5		03.00-08.04	184	B 5234 T3
2.4		03.00-08.07	103	B 5244 S2
2.4		03.00-08.07	125	B 5244 S
2.4 BiFuel		09.01-08.07	103	B 5244 SG
2.4 T		03.00-08.03	147	B 5244 T3
2.4 T AWD		09.01-08.02	147	B 5244 T3
2.5 AWD		09.02-12.04	155	B 5254 T2
2.5 T		04.04-08.07	154	B 5254 T2
2.5 T AWD		09.02-08.07	154	B 5254 T2
XC70 Cross Country		2.4 T XC AWD	11.97-09.02	142
	2.4 T XC AWD	03.00-09.02	147	B 5244 T3
	2.5 T XC AWD	09.02-08.07	154	B 5254 T2
XC90 I	2.5 T	10.02-	154	B 5254 T2
	2.5 T AWD	10.12-	154	B 5254 T9
	2.9 T6	10.02-	200	B 6294 T

CL122

SAE

OEM-No.

RENAULT 7700749450


RENAULT

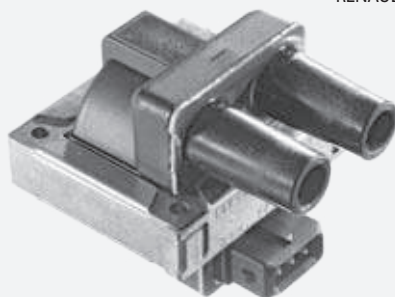
19 II (B/C53)	1.8	05.94-12.95	79	F3P 765/F3P 682
19 II Chamade	1.8	05.94-12.95	79	F3P 682
Clio I	1.2	01.96-12.96	40	C3G 720
Rapid Van	1.2	09.91-03.98	40	C3G 712/C3G 710
Twingo I (C06)	1.2	03.93-10.96	40	C3G 702/C3G 700
Twingo I Van (S06)	1.2	03.93-05.96	40	C3G 702/C3G 700

CL123

PIN

OEM-No.

RENAULT 7700107269


RENAULT

Espace III (JE0)	2.0	04.97-10.00	84	F3R 769/_728/_768
Laguna I (B56_, 556_)	1.8	04.97-03.01	66	F3P 670
	1.8	04.97-02.01	69	F3P 674
Laguna I (B56_, 556_)	2.0	04.97-02.01	84	F3R 768

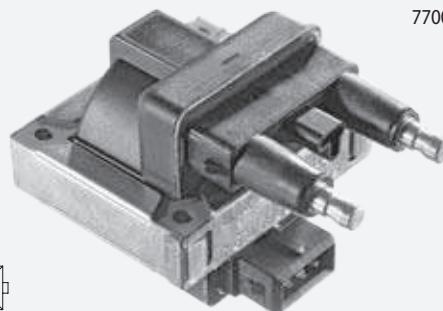
< CL123
RENAULT

Laguna I Grandtour	1.8	04.97-03.01	66	F3P 670
Megane I (BA)	2.0 16V	07.96-08.03	108	F7R 710/F7R 714
	2.0 i	03.99-08.03	80	F3R 751/F3R 750
	2.0 i	04.97-08.03	84	F3R 751/F3R 750
Megane I Cabriolet	2.0	04.97-08.03	84	F3R 750
	2.0 i	03.99-08.03	80	F3R 791/F3R 796
Megane I Classic (LA)	2.0 i	03.99-08.03	80	F3R 79_/F3R 75_
	2.0 i	04.97-08.03	84	F3R 79_/F3R 75_
Megane I Coach (DA)	2.0 i	03.99-08.03	80	F3R 791/F3R 796
	2.0 i	04.97-08.03	84	F3R 751/F3R 750
Megane Scenic (JA)	2.0 i	01.99-09.99	80	F3R 796
	2.0 i	04.97-09.99	84	F3R 751/F3R 750
	2.0 RXE 4x4	05.97-10.99	84	F3R 750

CL124

SAE

OEM-No.

 RENAULT 7700854306
7700872265


colour of socket: black

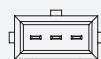
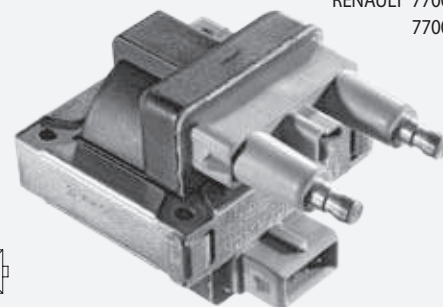
RENAULT

Espace III (JE0)	2.0	11.96-04.97	84	F3R 769/_728/_768
	3.0	11.96-10.98	123	Z7X 775
Laguna I (B56_, 556_)	1.8	08.95-04.97	66	F3P 670
	1.8	06.95-04.97	69	F3P 674
	2.0	03.99-03.01	80	F3R 611
	2.0	06.95-04.97	84	F3R 768
	3.0	11.93-03.01	123	Z7X 765/Z7X 760
Laguna I Grandtour	1.8	09.95-04.97	66	F3P 670
	3.0	02.96-03.01	123	Z7X 765
Megane I (BA)	2.0 i	03.99-08.03	80	F3R 751/F3R 750
	2.0 i	01.96-04.97	84	F3R 751/F3R 750
Megane I Cabriolet	2.0	04.97-08.03	84	F3R 750
	2.0 i	03.99-08.03	80	F3R 791/F3R 796
Megane I Classic (LA)	2.0 i	03.99-08.03	80	F3R 79_/F3R 75_
	2.0 i	09.96-04.97	84	F3R 79_/F3R 75_
Megane I Coach (DA)	2.0 i	03.99-08.03	80	F3R 791/F3R 796
	2.0 i	03.96-04.97	84	F3R 751/F3R 750
Megane Scenic (JA)	2.0 i	01.99-09.99	80	F3R 796
	2.0 i	01.97-04.97	84	F3R 751/F3R 750
	2.0 RXE 4x4	05.97-10.99	84	F3R 750

CL125

SAE

OEM-No.

 RENAULT 7700854307
7700872692


colour of socket: grey

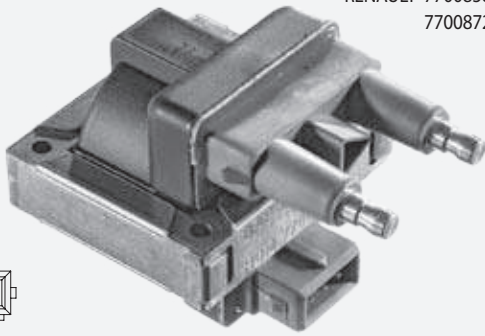
RENAULT

Espace III (JE0)	3.0	11.96-10.98	123	Z7X 775
Laguna I (B56_, 556_)	3.0	11.93-03.01	123	Z7X 765/Z7X 760
Laguna I Grandtour	3.0	02.96-03.01	123	Z7X 765

CL126

CL126

SAE OEM-No.
RENAULT 7700858320
7700872693



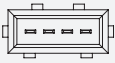
colour of socket: brown

RENAULT

Espace III (JE0_)	3.0	11.96-10.98	123	Z7X 775
Laguna I (B56_, 556_)	3.0	11.93-03.01	123	Z7X 765/Z7X 760
Laguna I Grandtour	3.0	02.96-03.01	123	Z7X 765

CL127

OEM-No.
PSA 5970.56
96213086
9621308680



CITROEN

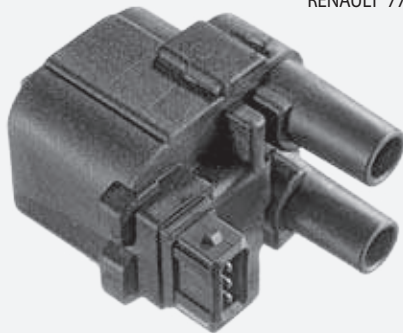
Saxo (S0, S1) 1.6 VTS 06.96-09.03 87 NFX (TU5JP4)

PEUGEOT

106 II (1) 1.6 S16 05.96- 87 NFX (TU5J4)

CL128

PIN OEM-No.
RENAULT 77 00 100 589



for cylinder 1 & 4 (coil CL102: 2 & 3)

RENAULT

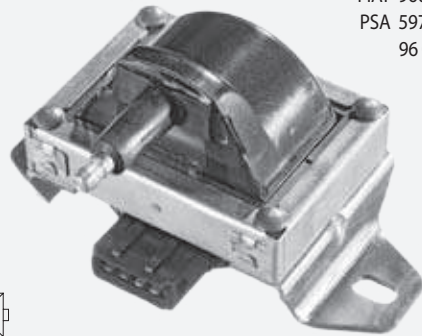
Clio II	1.4	09.98-05.05	55	E7J 634/780/K7J 700
	1.6	09.98-05.05	66	K7M 744/K7M 745
Kangoo (KC)	1.4	08.97-	55	E7J 63_/K7J 70_
Kangoo Express (FC)	1.4	08.97-	55	E7J 63_/K7J 70_
Laguna I (B56_, 556_)	1.6 16V	11.97-03.99	79	K4M 720/K4M 724
Laguna I Grandtour	1.6 16V	11.97-03.99	79	K4M 720/K4M 724
Megane I (BA)	1.6 e	03.97-03.99	66	K7M 702/_703/_790
	1.6 i	03.97-03.99	55	K7M 720
Megane I Cabriolet	1.6 e	04.97-03.99	66	K7M 702/K7M 703
Megane I Classic (LA)	1.6 e	04.97-03.99	66	K7M 702/_703/_790
Megane I Coach (DA)	1.6 e	03.97-03.99	66	K7M 702/K7M 703
Megane Scenic (JA)	1.6 e	04.97-10.99	66	K7M 702/K7M 703
	1.6 i	04.97-09.99	55	K7M 720

ignition coils



CL129

SAE OEM-No.
FIAT 9604137880
PSA 5970.47
96 041 378



CITROEN

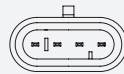
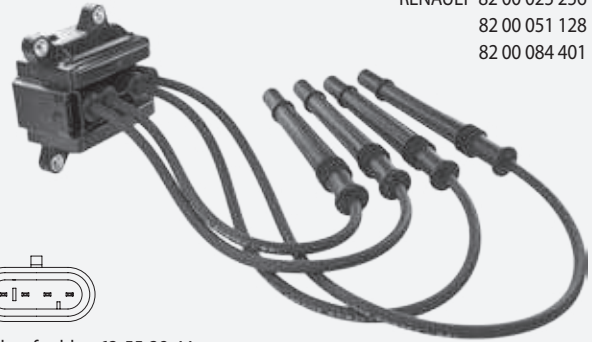
XM (Y3)	2.0	05.89-04.94	84	
	2.0 i	05.89-04.94	79	RDZ (XU10MZ)
XM Break (Y3)	2.0	10.91-07.94	85	
	2.0 i	11.91-04.94	79	RDZ/XU102C

PEUGEOT

605 (6B)	2.0	02.90-09.99	79	
	2.0	06.89-09.99	84	R5A (XU102C)

CL130

OEM-No.
RENAULT 82 00 025 256
82 00 051 128
82 00 084 401



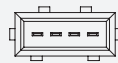
lengths of cables: 63-55-38-44 cm

RENAULT

Clio II	1.2	06.01-	55	
	1.2 16V	06.04-	55	D4F 728/_714/_706
Kangoo (KC)	1.2 16V	06.04-	55	D4F 714/_716/_712
Kangoo Express (FC)	1.2 16V	06.04-	55	D4F 714/_712/_730
Thalia I (LB0/1/2_)	1.2 16V	04.02-	55	D4F 712
Twingo I (C06_)	1.2 16V	01.01-	55	D4F 702

CL131

PIN OEM-No.
RENAULT 77 00 872 449
77 00 872 834
77 00 873 701
82 00 141 149



RENAULT

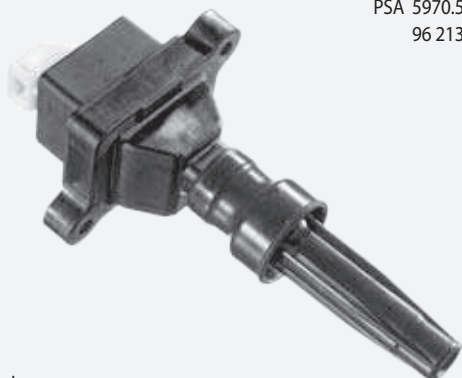
Clio I (B/C57_, 5/357_)	1.2	01.96-09.98	40	D7F 730
	1.2	01.96-09.98	43	D7F 730
Clio II	1.2	09.98-10.99	43	D7F 766/_720/_764
	2.0 16V Sport	02.00-	124	F4R 730/F4R 736
	2.0 16V Sport	01.04-	132	F4R 738
Clio II Van	1.1	09.98-	43	D7F 720/_726/_746
Kangoo (KC)	1.2	08.97-10.99	43	D7F 710/_722/_720

< CL131
RENAULT

Kangoo Express (FC)	1.2	08.97-10.99	43	D7F 710/ 744/ 722
Laguna II (BG0/1_)	2.0 16V IDE	04.01-	103	F5R 701/F5R 700
Laguna II Grandtour	2.0 16V IDE	04.01-	103	F5R 701/F5R 700
Megane I Cabriolet	2.0 16V	10.96-11.99	108	F7R 710/F7R 714
Megane I Coach (DA)	2.0 16V	03.96-11.99	108	F7R 710/F7R 714
Twingo I (C06_)	1.2	05.96-10.98	40	D7F 700/D7F 701
	1.2	05.96-10.98	43	D7F 700/ 702/ 704
Twingo I Van (S06_)	1.2	05.96-	43	D7F 706/D7F 701

CL132

OEM-No.

 PSA 5970.55
96 213 181


1 coil per cylinder

CITROEN

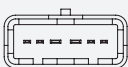
Xsara (N1)	2.0 16V	04.97-09.00	120	RFS (XU10J4RS)
Xsara Coupe (N0)	2.0 i 16V	02.98-03.05	120	RFS (XU10J4RS)
ZX (N2)	2.0 i 16V	07.95-06.97	110	RFT (XU10J4/Z)
	2.0 i 16V	05.96-06.97	120	RFS (XU10J4RS)

PEUGEOT

306 CC (7_, N_)	2.0 S16	03.96-05.01	120	RFS (XU10J4RS)
-----------------	---------	-------------	-----	----------------

CL133

OEM-No.

 PSA 5970.84
5970.A5

CITROEN

C4 Coupe (LA_)	2.0 16V	11.04-12.10	130	RFK (EW10J4S)
C4 I (LC_)	2.0 16V	11.04-07.08	130	RFK (EW10J4S)
C8 (EA_, EB_)	2.2	07.02-	116	3FZ (EW12J4)

PEUGEOT

307 (3A/C)	2.0 16V	06.05-	130	RFK (EW10J4S)
307 Break (3E)	2.0 16V	06.05-	130	RFK (EW10J4S)
307 CC (3B)	2.0 16V	10.03-	130	RFK (EW10J4S)
406 (8B)	2.2	07.00-05.04	116	3FZ (EW12J4)
406 Break (8E/F)	2.2	07.00-10.04	116	3FZ (EW12J4)
406 Coupe (8C)	2.2	03.02-12.04	116	3FZ (EW12J4)
407 (6D_)	2.2	05.04-	116	3FZ (EW12J4)
407 Coupe (6C_)	2.2 16V	10.05-	120	3FY (EW12J4)
407 SW (6E_)	2.2	05.04-	116	3FZ (EW12J4)
607 (9D, 9U)	2.2 16V	02.00-	116	3FZ (EW12J4)
807 (E)	2.2	06.02-	116	3FZ (EW12J4)

CL134

OEM-No.

 RENAULT 82 00 360 911
82 00 702 693


lengths of cables: 47-42-42-42 cm

RENAULT

Clio III (BR, CR)	1.2 16V	06.05-05.08	48	D4F 740
	1.2 16V	06.05-05.08	55	D4F 740
	1.2 16V	06.05-05.08	58	D4F 764
Kangoo (KC)	1.2 16V	06.01-	55	D4F 714/ 716/ 712
Kangoo Express (FC)	1.2 16V	10.01-	55	D4F 714/ 712/ 730
Modus / Grand Modus	1.2	05.05-	48	D4F 740
	1.2	12.04-	55	D4F 740
	1.2	12.04-	58	D4F 764

CL135

OEM-No.

 FIAT 9633001580
RENAULT 9633001580
PSA 5970.77
5970.94
96 362 683
96 644 018 80


1 coil per cylinder

CITROEN

C5 I (DC_)	3.0 V6	03.01-08.04	152	XFX (ES9J4S)
C5 I Break (DE_)	3.0 Carlsson	09.03-08.04	173	
	3.0 V6	06.01-08.04	152	XFX (ES9J4S)
C5 II (RC_)	3.0 V6	09.04-	152	XFU/XFX
C5 II Break (RE_)	3.0 V6	09.04-	152	XFU (ES9A)
C5 III (RD_)	3.0 V6	02.08-	155	XFU (ES9A)
C5 III Break (TD_)	3.0 V6	02.08-	155	XFU (ES9A)
C6 (TD_)	3.0 V6	09.05-	155	XFV/XFX
C8 (EA_, EB_)	3.0 V6	07.02-	150	XFX (ES9J4S)

FIAT

Ulysse (179AX)	3.0	08.02-06.11	150	XFV
----------------	-----	-------------	-----	-----

LANCIA

Phedra (179)	3.0 V6	09.02-11.10	150	ES9 J4S
--------------	--------	-------------	-----	---------

PEUGEOT

406 (8B)	3.0 V6	03.00-05.04	152	XFX (ES9J4S)
406 Break (8E/F)	3.0 V6	03.00-10.04	152	XFX (ES9J4S)
406 Coupe (8C)	3.0 V6	03.00-12.04	152	XFX (ES9J4S)
407 (6D_)	3.0	05.04-	155	XFV (ES9A)
407 Coupe (6C_)	3.0 V6	10.05-	155	XFV (ES9A)
407 SW (6E_)	3.0	05.04-	155	XFV (ES9A)
607 (9D, 9U)	3.0 V6 24V	02.00-	152	XFX (ES9J4S)
	3.0 V6 24V	03.04-	155	XFV (ES9A)
807 (E)	3.0 V6	06.02-	150	XFX (ES9J4S)

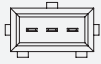
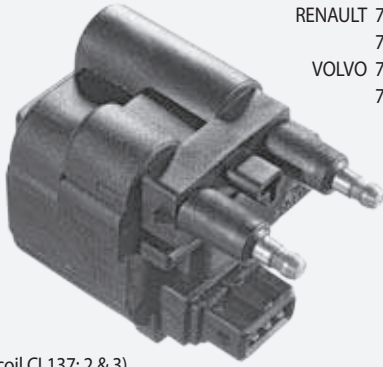
RENAULT

Avantime (DE0_)	3.0 V6	09.01-05.03	152	L7X 720/L7X 721
Clio II	3.0 V6 Sport	11.00-12.02	166	L7X 760
	3.0 V6 Sport	12.02-	187	L7X 762
	3.0 V6 24V	10.98-10.02	140	L7X 727
Espace III (JE0_)	3.0 V6 24V	03.01-	152	L7X 731
Laguna II (BG0/1_)	3.0 V6 24V	03.01-	152	L7X 731
Laguna II Grandtour	3.0 V6 24V	03.01-	152	L7X 731

CL136

CL136

SAE	OEM-No.
	RENAULT 7700863020 7700865923
	VOLVO 70863020 70863020-7



for cylinder 1 & 4 (coil CL137: 2 & 3)

RENAULT

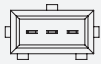
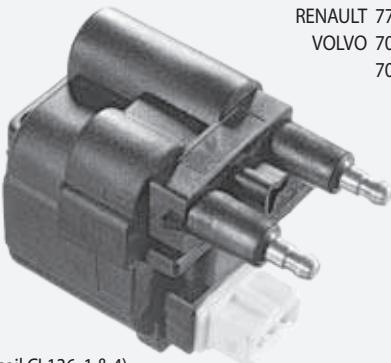
Laguna I (B56_, 556_)	2.0	06.95-02.01	103	N7Q 700/N7Q 704
	2.0 16V	06.95-03.01	102	N7Q 700/N7Q 704
Laguna I Grandtour	2.0 16V	09.95-03.01	102	N7Q 700/N7Q 704
Safrane II (B54_)	2.0 16V	07.96-12.00	100	N7Q 710/N7Q 711

VOLVO

S40 I (VS)	1.6	09.95-08.99	77	B 4164 S
	1.6	03.99-12.03	80	B 4164 S2
	1.8	07.95-08.99	85	B 4184 S3/B 4184S
	1.8	03.99-12.03	90	B 4184 S2/B 4184S9
	1.8 i	06.01-12.03	90	B 4184 SJ
	1.8 i	03.98-12.03	92	B 4184 SM
V40 Combi (VW)	2.0	07.95-12.03	100	B 4204 S2/B 4204S
	2.0	07.95-08.99	103	B 4204 S
	1.6	12.95-08.99	77	B 4164 S
	1.6	03.99-06.04	80	B 4164 S2
	1.8	07.95-08.99	85	B 4184 S3/B 4184S
	1.8	03.99-06.04	90	B 4184 S2/B 4184S9
	1.8 i	03.98-06.04	92	B 4184 SM
	2.0	07.95-06.04	100	B 4204 S2/B 4204S
	2.0	07.95-08.99	103	B 4204 S

CL137

SAE	OEM-No.
	RENAULT 77 00 863 021
	VOLVO 70863021 70863021-5



for cylinder 2 & 3 (coil CL136: 1 & 4)

RENAULT

Laguna I (B56_, 556_)	2.0	06.95-02.01	103	N7Q 700/N7Q 704
	2.0 16V	06.95-03.01	102	N7Q 700/N7Q 704
Laguna I Grandtour	2.0 16V	09.95-03.01	102	N7Q 700/N7Q 704
Safrane II (B54_)	2.0 16V	07.96-12.00	100	N7Q 710/N7Q 711

VOLVO

S40 I (VS)	1.6	09.95-08.99	77	B 4164 S
	1.6	03.99-12.03	80	B 4164 S2
	1.8	07.95-08.99	85	B 4184 S3/B 4184S
	1.8	03.99-12.03	90	B 4184 S2/B 4184S9
	1.8 i	06.01-12.03	90	B 4184 SJ
	1.8 i	03.98-12.03	92	B 4184 SM
V40 Combi (VW)	2.0	07.95-12.03	100	B 4204 S2/B 4204S
	2.0	07.95-08.99	103	B 4204 S
	1.6	12.95-08.99	77	B 4164 S
	1.6	03.99-06.04	80	B 4164 S2
	1.8	07.95-08.99	85	B 4184 S3/B 4184S
	1.8	03.99-06.04	90	B 4184 S2/B 4184S9
	1.8 i	03.98-06.04	92	B 4184 SM

ignition coils



< CL137

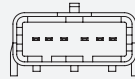
VOLVO

V40 Combi (VW)	2.0	07.95-06.04	100	B 4204 S2/B 4204S
	2.0	07.95-08.99	103	B 4204 S

CL138

OEM-No.

PSA 5970.87
5970.A0



CITROEN

C4 Grand Picasso I	1.8 i 16V	10.06-	92	6FY (EW7A)
	2.0 i 16V	10.06-	103	RFJ (EW10A)
C4 I (LC_)	2.0 16V	11.04-07.11	103	RFJ (EW10A)
C4 Picasso I (UD_)	1.8 i 16V	02.07-12.11	92	6FY (EW7A)
	2.0 i 16V	02.07-08.13	103	RFJ (EW10A)
C5 I (DC_)	2.0 16V	03.01-08.04	100	RFN (EW10J4)
C5 I Break (DE_)	2.0 16V	06.01-08.04	100	RFN (EW10J4)
C5 II (RC_)	1.8 16V	09.05-	92	6FY (EW7A)
	2.0 16V	09.04-	103	RFJ (EW10A)
C5 II Break (RE_)	1.8 16V	09.05-	92	6FY (EW7A)
	2.0 16V	09.04-	103	RFJ (EW10A)
C5 III (RD_)	1.8 16V	02.08-	92	6FY (EW7A)
	2.0 16V	02.08-	103	RFJ (EW10A)
C5 III Break (TD_)	1.8 16V	02.08-	92	6FY (EW7A)
	2.0 16V	02.08-	103	RFJ (EW10A)
C8 (EA_, EB_)	2.0 16V	09.05-	103	RFJ (EW10A)
Jumpy	2.0 i	01.07-	103	RFH (EW10A)
Jumpy Van	2.0 i	01.07-	103	RFH (EW10A)

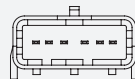
PEUGEOT

307 (3A/C)	2.0 16V	03.05-	103	RFJ (EW10A)
307 Break (3E)	2.0 16V	03.05-	103	RFJ (EW10A)
307 CC (3B)	2.0 16V	03.05-	103	RFJ (EW10A)
307 SW (3H)	2.0 16V	03.05-	103	RFJ (EW10A)
407 (6D_)	1.8 16V	09.05-	92	6FY (EW7A)
	2.0 16V	09.05-	103	RFJ (EW10A)
	2.0 Bioflex	09.07-	103	RFJ (EW10A)
407 SW (6E_)	1.8 16V	09.05-	92	6FY (EW7A)
	2.0 16V	09.05-	103	RFJ (EW10A)
807 (E)	2.0 16V	09.05-	103	RFJ (EW10A)
Expert Tepee (VF_)	2.0 16V	01.07-	103	RFJ/RFH
Expert Van (VF_)	2.0 16V	01.07-	103	RFJ/RFH

CL139

OEM-No.

PSA 5970 92



CITROEN

C8 (EA_, EB_)	2.2	07.02-	116	3FZ (EW12J4)
---------------	-----	--------	-----	--------------

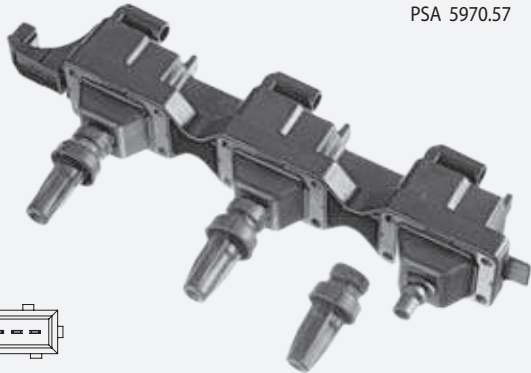
< CL139

PEUGEOT

407 (6D_)	2.2	05.04-	116 3FZ (EW12J4)
607 (9D, 9U)	2.2 16V	02.00-	116 3FZ (EW12J4)
807 (E)	2.2	06.02-	116 3FZ (EW12J4)

CL140

PIN	OEM-No.
	PSA 5970.57



1 coil per vehicle (coil for 3 cylinders and ignition leads for 3 cylinders)

CITROEN

Xantia (X1)	3.0 i 24V	01.97-01.98	140 XFZ (ES9J4)
Xantia (X2)	3.0 V6	01.98-04.03	140 XFZ (ES9J4)
Xantia Break (X2)	3.0 V6	01.98-04.03	140 XFZ (ES9J4)
XM (Y4)	3.0 V6	04.97-10.00	140 XFZ (ES9J4)
XM Break (Y4)	3.0 V6	04.97-10.00	140 XFZ (ES9J4)

PEUGEOT

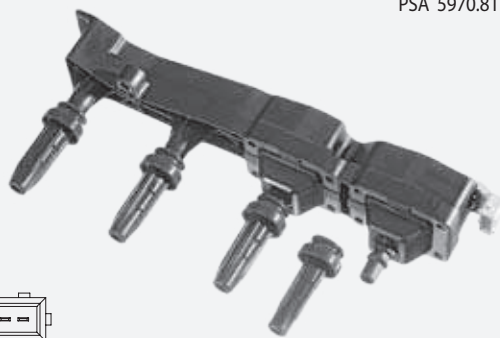
406 (8B)	3.0 24V	10.96-05.04	140 XFZ (ES9J4)
406 Break (8E/F)	3.0 24V	10.96-10.04	140 XFZ (ES9J4)
406 Coupe (8C)	3.0 V6 24V	03.97-12.04	140 XFZ (ES9J4)
605 (6B)	3.0 V6	04.97-09.99	140 XFZ (ES9J4)

RENAULT

Laguna I (B56_ , 556_)	3.0 24V	03.97-03.01	140 L7X 700/L7X 701
Laguna I Grandtour	3.0 24V	03.97-03.01	140 L7X 700/L7X 701
Safrane II (B54_)	2.9 24V	03.99-12.00	140 L7X 713

CL141

PIN	OEM-No.
	PSA 5970.81



CITROEN

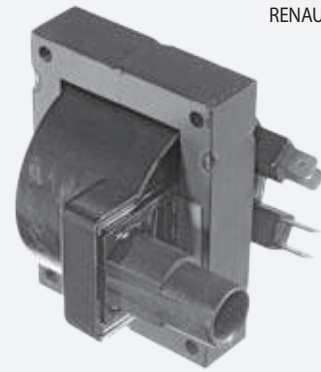
Saxo (S0, S1)	1.6	02.96-04.04	88 NFX (TU5JP4)
	1.6 VTS	06.96-09.03	87 NFX (TU5JP4)

PEUGEOT

106 II (1)	1.6 S16	05.96-	87 NFX (TU5J4)
------------	---------	--------	----------------

CL146

DIN	OEM-No.
	RENAULT 77 01 021 954 77 01 029 799

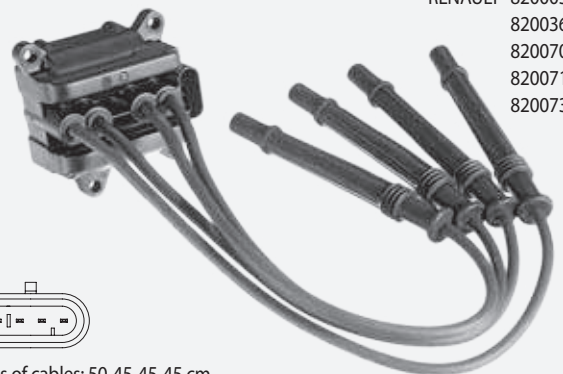


RENAULT

9 (L42_)	1.2	09.85-12.88	40 C1G 700/C1G 710	
	1.4	12.81-12.88	44 C1J 715/_ 792/_ 796	
	1.4	09.81-12.85	53 C2J 717/C2J 755	
	1.4 Automatic	09.81-12.85	50 C2J 757/C2J 718	
	1.4 Turbo	04.84-12.86	77 C1J 764/C1J 760	
11 (B/C37_)	1.2	12.86-12.89	85 C1J 764/C1J 760	
	1.4	10.84-12.88	40 C1G 700/C1G 710	
	1.4	03.83-12.88	49 C2J 766/_ 720/_ 768	
	1.4	03.83-12.85	50 C2J 757/C2J 718	
	1.4	05.83-12.85	53 C2J 717	
18 (134_)	1.4	04.78-07.86	47 847 720/847 722	
	1.6	04.82-07.86	54 841 717/A2M 723	
	1.6	04.78-09.82	58 841 725/841 726	
	1.6 TS	05.82-07.86	71 A6M 725/A6M 726	
	1.6 Turbo	10.82-07.86	92 A5L 718/A5L 717	
	2.0	05.82-07.86	77 J6R 716	
	18 Variable (135_)	1.4	05.79-07.86	47 847 720/847 722
		1.6	01.82-07.86	54 841 717/A2M 723
1.6		05.79-09.82	58 841 725/841 726	
1.6 4x4		01.83-07.86	54 841 717/A2M 723	
1.6 4x4		02.79-06.81	58 841 725	
1.6 TS		05.82-07.86	71 A6M 725/A6M 726	
1.6 Turbo		10.82-07.86	92 A5L 718/A5L 717	
2.0		10.81-07.86	77 J6R 716	
21 (B48_)	1.7	09.89-10.92	54 F3N 726	
	2.0 TX/GTX	10.80-10.85	81 J6R	
Fuego (136_)	2.0 TX/GTX	10.80-10.85	81 J6R	
Master I Bus (T_)	28-35 2.0	10.86-07.98	58 J5R 718	
	2.0	11.89-07.93	60 J5R 718	
Master I Flatbed (P_)	28-35 2.0	10.86-07.98	58 J5R 728	
	2.0	11.89-07.93	60 J5R 718	
Master I Van (T_)	28-35 2.0	10.86-07.98	58 J5R 718	
	2.0	11.89-07.93	60 J5R 718	
Trafic Flatbed (P6)	2.0	03.80-12.86	63 829 721/829 720	
	2.0 4x4	05.85-02.89	60 J5R 716	

CL149

PIN	OEM-No.
-----	---------



lengths of cables: 50-45-45-45 cm

RENAULT

Clio Grandtour (KR)	1.2 16V Hi-Flex	07.08-	55 D4F 740
Clio II	1.2 16V	06.07-	55 D4F 728_714/_ 706
Clio III (BR, CR1)	1.2 16V	06.05-05.08	48 D4F 740
	1.2 16V	06.05-05.08	55 D4F 740

CL149

CL149

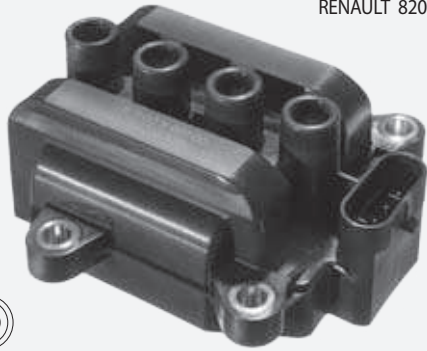
< CL149

RENAULT

Clio III (BR, CR1)	1.2 16V	06.05-05.08	58	D4F 764
	1.2 16V Hi-Flex	07.08-	55	D4F 740/D4F 742
Kangoo (KC)	1.2 16V	06.07-	55	D4F 714/_ 716/_ 712
Kangoo Express (FC)	1.2 16V	06.07-	55	D4F 714/_ 712/_ 730
Modus / Grand Modus	1.2	01.08-	55	D4F 740
	1.2 16V Hi-Flex	10.08-	55	D4F 740
Twingo I (C06_)	1.2 16V	08.04-06.07	44	D4F 708
Twingo II (CN0_)	1.2 16V	03.07-	56	D4F 772

CL150

PIN	OEM-No.
	RENAULT 8200702693



DACIA

Logan (LS_)	1.2 16V	02.06-	55	D4F 732
Logan II	1.2	05.15-	54	
	1.2	10.12-	55	D4F 732
	1.2 LPG	10.12-	55	D4F 734
Logan MCV II	1.2	05.15-	54	
	1.2	02.13-	55	D4F 732
	1.2 LPG	02.13-	55	D4F 734
Sandero	1.2 16V	11.08-	55	D4F 732
	1.2 16V LPG	11.08-	55	D4F 732
Sandero II	1.2	05.15-	54	
	1.2	10.12-	55	D4F 732
	1.2 LPG	10.12-	55	

RENAULT

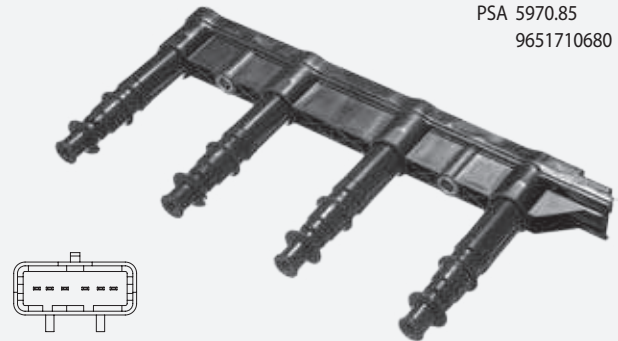
Clio Grandtour (KR)	1.2 16V Hi-Flex	07.08-	55	D4F 740
	1.2 16V	02.08-	55	D4F 740
	1.2 16V	02.08-	58	D4F 764
	1.2 16V	02.08-	74	D4F 784
Clio Grandtour IV	1.2 16V	01.13-	54	D4F 740
Clio II	1.2 16V	06.01-	55	D4F 728/_ 714/_ 706
Clio III (BR, CR)	1.2 16V	06.08-	48	D4F 740
	1.2 16V	06.08-	55	D4F 740
	1.2 16V	06.08-	58	D4F 764
	1.2 16V	05.07-	74	D4F 784
	1.2 16V Hi-Flex	07.08-	55	D4F 740/D4F 742
Kangoo (KC)	1.2 16V	06.01-	55	D4F 714/_ 716/_ 712
Kangoo Express (FC)	1.2 16V	10.01-	55	D4F 714/_ 712/_ 730
Modus / Grand Modus	1.2	01.09-	55	D4F 740
	1.2	01.09-	58	D4F 764
	1.2 16V Hi-Flex	10.08-	55	D4F 740
Twingo I (C06_)	1.2 16V	08.04-06.07	44	D4F 708
	1.2 16V	01.01-	55	D4F 702
Twingo II (CN0_)	1.2 16V	03.07-	56	D4F 772

ignition coils



CL151

OEM-No.
PSA 5970.85
9651710680



CITROEN

C2 (JM_)	1.4 16V	06.06-	65	KFU (ET3J4)
C3 I (FC_)	1.4 16V	12.03-	65	KFU (ET3J4)
C4 Coupe (LA_)	1.4 16V	11.04-07.11	65	KFU (ET3J4)
C4 I (LC_)	1.4 16V	11.04-07.11	65	KFU (ET3J4)

PEUGEOT

1007 (KM_)	1.4 16V	10.05-	65	KFU (ET3J4)
206 CC (2A/C)	1.4 16V	10.03-	65	KFU (ET3J4)
206 SW (2E/K)	1.4 16V	10.03-	65	KFU (ET3J4)
207 (WA_ WC_)	1.4 16V	02.06-	65	KFU (ET3J4)
307 (3A/C)	1.4 16V	11.03-	65	KFU (ET3J4)
307 Break (3E)	1.4 16V	11.03-	65	KFU (ET3J4)
307 SW (3H)	1.4 16V	11.03-	65	KFU (ET3J4)

CL152

OEM-No.
RENAULT 224337085R
8200726341
8200959964



1 coil per cylinder

RENAULT

Grand Scénic III (JZ)	1.4 16V	02.09-	96	H4J 700
Megane CC (EZ0/1_)	1.4 TCe	06.10-	96	H4J 700
Megane III CC (BZ0_)	1.4 TCe	04.09-	96	H4J 700
Megane III Coupe	1.4 TCe	04.09-	96	H4J 700
Megane III Grandtour	1.4 TCe	05.09-	96	H4J 700
Scénic III (JZ)	1.4 16V	02.09-	96	H4J 700

CL153

OEM-No.
RENAULT 8200699627



1 coil per cylinder

RENAULT

Fluence (L30_)	2.0 16V	02.10-	103	M4R 751/M4R 714
Grand Scénic III (JZ)	2.0 16V	02.09-	103	M4R 711
Laguna III (BT0/1)	2.0 16V	10.07-	103	M4R 704
	2.0 16V Hi-Flex	10.07-	103	M4R 726
Laguna III Grandtour	2.0 16V	10.07-	103	M4R 704
	2.0 16V Hi-Flex	10.07-	103	M4R 704/M4R 726
Latitude (L70_)	2.0 16V	02.11-	103	M4R 746

< CL153

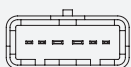
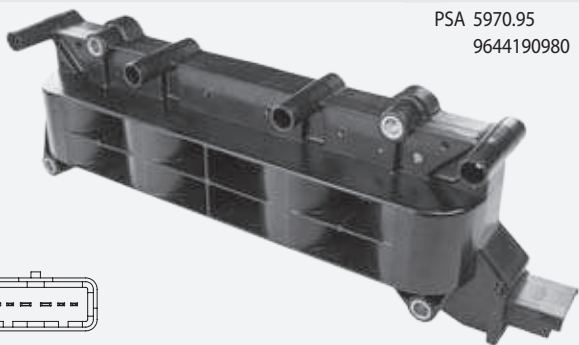
RENAULT

Megane CC (EZ0/1_)	2.0 CVT	06.10-	103	M4R 713/M4R 711
Megane III CC (BZ0_)	2.0 CVT	02.09-	103	M4R 713/M4R 711
Megane III Coupe	2.0 CVT	05.09-	103	M4R 711
Megane III Grandtour	2.0 CVT	05.09-	103	M4R 711/M4R F713
Scénic III (JZ)	2.0 16V	02.09-	103	M4R 711/M4R 710

CL154

OEM-No.

PSA 5970.95
9644190980



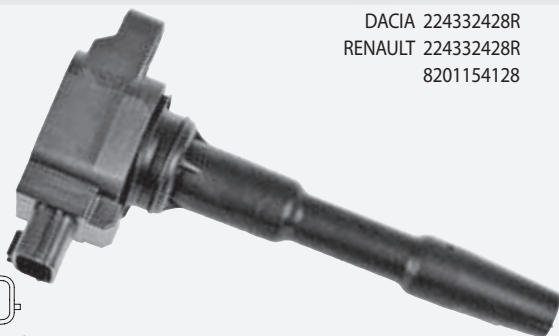
PEUGEOT

406 (8B)	2.0 16V HPi	05.01-05.04	103	RLZ (EW10D)
406 Break (8E/F)	2.0 16V HPi	05.01-10.04	103	RLZ (EW10D)

CL155

OEM-No.

DACIA 224332428R
RENAULT 224332428R
8201154128



1 coil per cylinder

DACIA

Dokker	1.2 TCe	11.12-	85	H5F 402
Dokker Express	1.2 TCe 115	12.12-	84	H5F 402
Duster	1.2 TCe 125	10.13-	92	H5F 404
Lodgy	1.2 TCe	03.12-	85	H5F 402
Logan II	0.9 TCe 90	10.12-	66	H4B 400
Logan MCV II	0.9 TCe 90	02.13-	66	H4B 400
Sandero II	0.9 TCe 90	10.12-	66	H4B 400

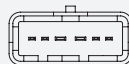
RENAULT

Captur	0.9 TCe 90	06.13-	66	
	1.2 TCe 120	06.13-	88	
Clio Grandtour IV	0.9 TCe 90	01.13-	66	
	1.2 TCe 120	03.13-	88	
Clio IV	0.9 TCe 90	11.12-	66	
	1.2 TCe 120	03.13-	88	
Grand Scénic III (JZ)	1.2 TCe	04.12-	85	H5F 400
	1.2 TCe	01.13-	97	H5F 404
Kadjar	1.2 TCe 130	06.15-	96	H5F 408
Kangoo/Grand Kangoo	1.2 TCe 115	07.13-	84	
Kangoo Express (FW)	1.2 TCe 115	07.13-	84	
Megane CC (EZ0/1_)	1.2 TCe	01.13-	97	H5F 404
	1.2 TCe	03.12-	85	H5F 400
Megane III CC (BZ0_)	1.2 TCe	01.13-	97	H5F 404
	1.2 TCe	01.13-	97	H5F 404
Megane III Coupe	1.2 TCe	03.12-	85	H5F 400
	1.2 TCe	01.13-	97	H5F 404
Megane III Grandtour	1.2 TCe	03.12-	85	H5F 400
	1.2 TCe	01.13-	97	H5F 404
Scénic III (JZ)	1.2 TCe	04.12-	85	H5F 400
	1.2 TCe	01.13-	97	H5F 404
	1.2 TCe	01.13-	97	H5F 404
Twingo III	0.9 TCe 90	09.14-	66	H4B 401
	1.0 SCe 70	09.14-	52	H4D 400

CL156

OEM-No.

PSA 9800251580



CITROEN

C-Elysee	1.6 VTi 115	11.12-	85	NFP (EC5)
----------	-------------	--------	----	-----------

PEUGEOT

301	1.6 VTi 115	11.12-	85	NFP (EC5)
308 II	1.6 VTi	03.14-	85	
308 SW II	1.6 VTi	03.14-	85	

CL157

OEM-No.

PSA 9671214580



1 coil per cylinder

CITROEN

C1 II	1.2 VTi 82	04.14-	60	HMT (EB2D)
C3 II	1.0 VTi 68	08.12-	50	ZMZ (EBO)
	1.2 VTi 82	06.12-	60	HMZ (EB2F)
C4 Cactus	1.2 VTi 75	09.14-	55	HMU (EB2D)
	1.2 VTi 82	09.14-	60	HMZ (EB2F)
C-Elysee	1.2 VTi 72	11.12-	53	HMY (EB2M)
DS3	1.2 VTi 82	01.13-	60	HMZ (EB2F)
	1.2 VTi 110	10.14-	81	HNZ (EB2DT)
DS3 Cabriolet	1.2 VTi 82	01.13-	60	HMZ (EB2F)
	1.2 VTi 110	10.14-	81	HNZ (EB2DT)

PEUGEOT

108	1.2	05.14-	60	HMT (EB2D)
208	1.0	03.12-	50	ZMZ (EBO)
	1.2	03.12-	60	HMZ (EB2F)
2008	1.2 VTi	03.13-	60	HMZ (EB2F)
301	1.2 VTi 72	11.12-	53	HMY (EB2M)
308 II	1.2 VTi 72	09.13-	60	HMZ (EB2F)

CL158

OEM-No.

PSA 9675390980



1 coil per cylinder

CITROEN

C3 Picasso	1.2 THP 110	01.15-	81	HNZ (EB2DT)
C4 Cactus	1.2 THP 110	09.14-	81	HNZ (EB2DT)
C4 Grand Picasso II	1.2 THP 130	04.14-	96	HNY (EB2DTS)
C4 II (B7)	1.2 THP 130	04.14-	96	HNY (EB2DTS)
C4 Picasso II	1.2 THP 130	04.14-	96	HNY (EB2DTS)

CL158

CL158

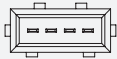
< CL158

PEUGEOT

208	1.2 THP	01.13-	81	HNZ (EB2DT)
2008	1.2 THP 110	01.15-	81	HNZ (EB2DT)
	1.2 THP 130	01.15-	96	HNY (EB2DTS)
308 II	1.2 THP 130	11.13-	96	HNY (EB2DTS)
308 SW II	1.2 THP 110	03.14-	81	HNZ (EB2DT)
	1.2 THP 130	03.14-	96	HNY (EB2DTS)

CL200

PIN	OEM-No.
	OPEL 10 457 075
	11 03 872
	11 03 905
	12 08 063



FIAT

Punto (176)	1.6	01.94-04.97	65	176 A9.000
Punto Cabriolet	90 1.6	04.94-04.97	65	176 A9.000

OPEL (VAUXHALL)

Astra F (56_, 57_)	1.4	11.94-09.98	60	14 SE
	1.4 i 16V	02.96-09.98	66	X14 XE
	1.4 Si	11.94-09.98	60	C14 SE
	1.6 i	05.93-07.96	52	X16 SZ
	1.6 i	03.92-09.98	55	X16 SZR
	1.6 i 16V	08.94-09.98	74	X16 XEL
	1.6 Si	05.92-12.94	74	C16 SE
Astra F Cabriolet	1.4 i 16V	01.96-03.01	66	X14 XE
	1.4 Si	11.94-03.01	60	C14 SE
	1.6 i	03.93-08.96	52	X16 SZ
	1.6 i	01.96-03.01	55	X16 SZR
Astra F Caravan	1.4	09.92-01.98	60	14 SE
	1.4 i 16V	02.96-01.98	66	X14 XE
	1.4 Si	11.94-01.98	60	C14 SE
	1.6	09.95-01.98	55	16 LZ2/16 NZR
	1.6 i	05.93-07.96	52	X16 SZ
	1.6 i	09.91-01.98	55	X16 SZR
	1.6 i 16V	08.94-01.98	74	X16 XEL
1.6 Si	03.92-12.94	74	C16 SE	
Astra F CC	1.4	09.92-01.98	60	14 SE
	1.4 i 16V	01.96-01.98	66	X14 XE
	1.4 Si	03.92-01.98	60	C14 SE
	1.6 i	05.93-07.96	52	X16 SZ
	1.6 i	09.91-01.98	55	X16 SZR
	1.6 i 16V	08.94-01.98	74	X16 XEL
Astra F Clas. Caravan	1.6 Si	03.92-12.94	74	C16 SE
	1.6 i	01.98-01.05	55	X16 SZR
	1.6 i 16V	01.98-01.05	74	X16 XEL
Astra F Classic CC	1.6 i	01.98-08.02	55	X16 SZR
	1.6 i 16V	01.98-08.02	74	X16 XEL
Astra F Classic Sedan	1.6 i	01.98-08.02	55	X16 SZR
	1.6 i 16V	01.98-08.02	74	X16 XEL
Astra F Van (55_)	1.6 i	02.93-07.96	52	X16 SZ
Astra G Caravan	1.4 16V	06.98-07.04	66	X14 XE/Z14 XE
	1.6	02.98-09.00	55	X16 SZR
Astra G CC	1.4 16V	02.98-01.05	66	X14 XE/Z14 XE
	1.6	02.98-09.00	55	X16 SZR
Astra G Sedan (F69_)	1.4 16V	09.98-01.05	66	X14 XE/Z14 XE
	1.6	09.98-09.00	55	X16 SZR
Astra G Van (F70)	1.6	01.99-09.00	55	X16 SZR
Combo (71_)	1.4	07.94-10.01	60	C14 SE
	1.6 GSI	09.91-03.93	60	C14 SE
Corsa A CC	1.6 GSI	09.89-03.93	72	C16 SEI
	1.6 GSI cat	02.92-03.93	74	C16 SE

ignition coils




< CL200

OPEL (VAUXHALL)

Corsa B	1.2 i	03.93-09.00	33	X12 SZ
	1.4 i	03.93-09.00	44	X14 SZ
	1.4 i 16V	08.97-09.00	63	C14 SEL
	1.4 i 16V	09.94-09.00	66	X14 XE
	1.4 i 16V	09.94-09.00	67	X14 XE
	1.4 Si	03.93-09.00	60	C14 SE
	1.6 GSI 16V	03.93-09.00	80	C16 XE
	1.6 i 16V	08.97-09.00	74	C16 SEL
	1.6 i 16V	09.94-09.00	78	X16 XE
	Corsa B Van (73_)	1.4 i	08.99-09.00	44
Tigra (95_)	1.4 16V	08.97-12.00	63	X14 XE
	1.4 16V	07.94-12.00	66	X14 XE
	1.6 16V	08.97-08.98	74	C16 SEL
	1.6 16V	07.94-08.98	78	X16 XE
Vectra A (86_, 87_)	1.6 i	09.93-11.95	52	X16 SZ
Vectra A CC	1.6 i	09.93-11.95	52	X16 SZ
Vectra B (36_)	1.6 i	10.95-04.02	55	X16 SZR
	1.6 i 16V	10.95-04.02	74	Z16 XE/X16 XEL
Vectra B Caravan	1.6 i	11.96-06.00	55	X16 SZR
	1.6 i 16V	11.96-07.02	74	Z16 XE/X16 XEL
Vectra B CC (38_)	1.6 i	10.95-07.03	55	X16 SZR
	1.6 i 16V	10.95-07.02	74	Z16 XE/X16 XEL
Zafira A (F75_)	1.6 16V	04.99-06.05	74	X16 XEL

CL201

PIN	OEM-No.
	DAEWOO 96350585
	GM 01104038
	10450424
	10490192
	OPEL 12 08 051



CHEVROLET

Lanos Sedan	1.5	11.05-	63	A15SMS
-------------	-----	--------	----	--------

DAEWOO

Lanos (KLAT)	1.4	05.97-	55	A14SMS
	1.5	05.97-	63	A15SMS
	1.6 16V	05.97-	78	A16DMS
Lanos Sedan (KLAT)	1.4	05.97-	55	A14SMS
	1.5	05.97-	63	A15SMS
	1.6 16V	05.97-	78	A16DMS
Leganza (KLAV)	2.0 16V	06.97-12.02	98	X 20 SED
	2.0 16V	07.00-04.04	93	T20SED
	2.2 16V	04.99-12.02	100	T22SED
Nexia Sedan	1.5	07.08-	59	Y15L
Nubira (KLAJ)	1.6 16V	05.97-	78	A16DMS
	2.0 16V	05.97-	98	X 20 SED/Z20L
Nubira Sedan (KLAJ)	1.6 16V	05.97-	78	A16DMS
	1.6 16V	07.00-	76	A16DMS
	2.0 16V	12.00-	93	T20SED
	2.0 16V	05.97-	98	X 20 SED
Nubira Wagon (KLAJ)	1.6 16V	06.97-	66	A16SMS
	1.6 16V	12.00-	76	A16DMS
	1.6 16V	05.97-	78	A16DMS
	2.0 16V	12.00-	93	T20SED
	2.0 16V	05.97-	98	X 20 SED

OPEL (VAUXHALL)

Frontera B (6B_)	2.2 i	10.98-	100	X 22 SE/Y 22 SE
------------------	-------	--------	-----	-----------------

ZAZ

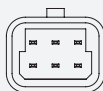
Lanos CC	1.4	10.04-	55	A13SM
----------	-----	--------	----	-------

< CL201
ZAZ

Lanos CC	1.5	10.04-	63	A15SM
	1.6 16V	10.04-	78	A16DMS
Lanos Pick-up	1.4	10.04-	55	A13SM
	1.5	10.04-	63	A15SM
Lanos Sedan	1.4	10.04-	55	A13SM
	1.5	10.04-	63	A15SM
	1.6 16V	10.04-	78	A16DMS

CL202

OEM-No.

 OPEL 12 08 307
19 005 212

OPEL (VAUXHALL)

Astra G Cabriolet	1.6 16V	03.01-10.05	74	Z16 XE
Astra G Caravan	1.4 16V	06.98-07.04	66	X14 XE/Z14 XE
	1.6 16V	02.98-07.04	74	Z16 XE/X16 XEL
	1.6 CNG	03.03-07.04	71	Z16 YNG
Astra G CC	1.4 16V	02.98-01.05	66	X14 XE/Z14 XE
	1.6 16V	02.98-01.05	74	Z16 XE/X16 XEL
Astra G Sedan	1.4 16V	09.98-01.05	66	X14 XE/Z14 XE
	1.6 16V	09.98-01.05	74	Z16 XE/X16 XEL
Combo Tour	1.6 CNG	06.06-	69	Z16 YNG
	1.6 CNG	04.05-	71	Z16 YNG
Combo Van/Combi	1.6 CNG 16V	06.06-	69	Z16 YNG
	1.6 CNG 16V	04.05-	71	Z16 YNG
Corsa C (F08, F68)	1.4	09.00-12.09	66	Z14 XE
Meriva	1.6 16V	05.03-01.06	74	Z16 XE
Vectra B (36_)	1.6 i 16V	10.95-04.02	74	Z16 XE/X16 XEL
Vectra B Caravan	1.6 i 16V	11.96-07.02	74	Z16 XE/X16 XEL
Vectra B CC (38_)	1.6 i 16V	10.95-07.02	74	Z16 XE/X16 XEL
Vectra C	1.6 16V	06.04-	74	Z16 XE
Vectra C Caravan	1.6 16V	06.04-	74	Z16 XE
Vectra C GTS	1.6	08.05-	74	Z16 XE
Zafira A (F75_)	1.6 16V	04.99-06.05	74	Z16 XE
	1.6 CNG	09.01-06.05	71	Z16 YNG
Zafira B (A05)	1.6 CNG	01.06-	69	Z16 YNG

CL203

OEM-No.

 GM 90536194
OPEL 09 119 567
12 08 008
90 536 194

OPEL (VAUXHALL)

Astra G Cabriolet	1.8 16V	03.01-10.05	92	Z18 XE
Astra G Caravan	1.8 16V	02.98-09.00	85	X18 XE1
	1.8 16V	09.00-07.04	92	Z18 XE
Astra G CC	1.8 16V	02.98-09.00	85	X18 XE1
	1.8 16V	09.00-01.05	92	Z18 XE

< CL203
OPEL (VAUXHALL)

Astra G Coupe	1.8 16V	03.00-10.00	85	X18 XE1
	1.8 16V	09.00-05.05	92	Z18 XE
Astra G Sedan	1.8 16V	09.98-09.00	85	X18 XE1
	1.8 16V	06.00-01.05	92	Z18 XE
Astra H (L48)	1.8	03.04-	92	Z18 XE
Astra H Caravan	1.8	08.04-	92	Z18 XE
Astra H GTC	1.8	03.05-	92	Z18 XE
Astra H TwinTop	1.8	09.05-	92	Z18 XE
Corsa C (F08, F68)	1.8	09.00-12.09	92	Z18 XE
Meriva	1.8	05.03-05.10	92	Z18 XE
Signum	1.8	05.03-	90	Z18 XE
Tigra TwinTop	1.8	06.04-	92	Z18 XE
Vectra B (36_)	1.8 i 16V	10.95-09.00	85	X18 XE1
	1.8 i 16V	09.00-04.02	92	Z18 XE
Vectra B Caravan	1.8 i 16V	11.96-09.00	85	X18 XE1
	1.8 i 16V	09.00-07.03	92	Z18 XE
Vectra B CC (38_)	1.8 i 16V	10.95-09.00	85	X18 XE1
	1.8 i 16V	09.00-07.03	92	Z18 XE
Vectra C	1.8	04.02-	81	Z18 XEL
	1.8 16V	04.02-	90	Z18 XE
Vectra C Caravan	1.8	10.03-	90	Z18 XE
Vectra C GTS	1.8 16V	08.02-	90	Z18 XE
Zafira A (F75_)	1.8 16V	04.99-09.00	85	X18 XE1
	1.8 16V	09.00-06.05	92	Z18 XE

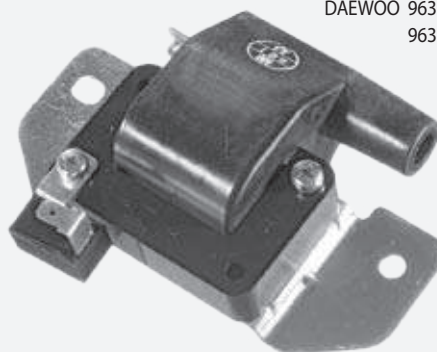
SAAB

9-3 (YS3F)	1.8 i	01.04-	90	Z18 XE
9-3 Combi (YS3F)	1.8 i	03.05-	90	Z18 XE

CL204

DIN

OEM-No.

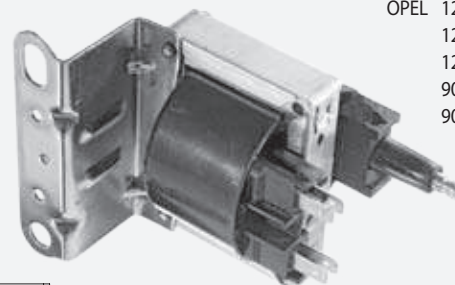
 DAEWOO 96320818
96336522

DAEWOO

Matiz (KLVA)	0.8	09.98-12.01	38	F8CV
--------------	-----	-------------	----	------

CL205

SAE

OEM-No.

 OPEL 12 08 002
12 08 004
12 08 048
90 449 740
90 510 387

OPEL (VAUXHALL)

Ascona C	1.3 N	09.81-08.86	44	13 N
	1.3 S	09.81-08.88	55	13 S
	1.6	09.81-09.87	55	16 N
	1.6 i	09.87-08.88	55	E 16 NZ/E 16 LZ
	1.6 i cat	09.86-08.88	55	C16 NZ/C16 LZ
Ascona C CC	1.3 S	09.81-08.88	55	13 S
	1.6	09.81-08.88	55	16 N
	1.6 i	09.87-08.88	55	E 16 NZ

CL205

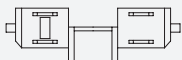
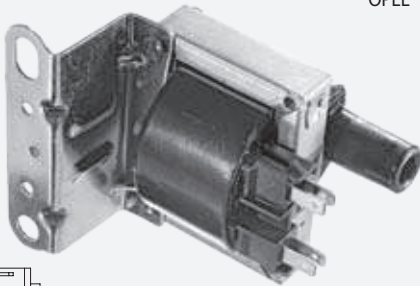
CL205

< CL205

OPEL (VAUXHALL)				
Ascona C CC	1.6 i cat	09.86-08.88	55	C16 NZ/C16 LZ
Astra F (56_, 57_)	1.6 i	03.92-09.98	55	C16 NZ
Astra F Caravan	1.6 i	09.91-01.98	55	C16 NZ/X16 SZR
Astra F CC	1.6 i	09.91-01.98	55	C16 NZ
Astra F Van (55_)	1.6 i	10.91-04.93	55	C16 NZ
Corsa A CC	1.2 N	01.90-03.93	38	12 NV
	1.2 S	09.82-02.90	40	12 ST
	1.3 GL	09.82-03.93	55	13 S
	1.3 S	09.82-10.89	51	13 SB
	1.6 GSI	05.88-03.92	74	E 16 SE
Corsa A TR	1.0	09.82-09.92	33	10 S
	1.2 S	09.82-03.93	40	12 ST
	1.2 S	09.82-10.87	43	12 S
	1.3 GL	09.82-03.93	55	13 S
	1.3 S	09.82-10.87	51	13 SB
Corsa A Van	1.0	02.86-04.89	33	10 S
	1.2	02.86-04.89	40	12 ST
	1.2	02.86-07.90	44	12 S
	1.3	02.86-04.89	51	13 SB
Kadett D	1.3 N	08.79-08.84	44	13 N
	1.3 S	08.79-08.84	55	13 S
Kadett D Caravan	1.3 N	08.79-08.84	44	13 N
	1.3 S	08.79-08.84	55	13 S
Kadett E (39_, 49_)	1.3 i cat	09.85-08.91	44	C13 N
	1.3 S	09.84-08.87	55	13 S
	1.6 i	09.86-08.91	55	E 16 NZ
	1.6 i cat	09.86-08.91	55	C16 NZ/C16 LZ
Kadett E Cabriolet	1.3 S	03.87-02.93	55	13 S
	1.6 i	10.86-02.93	55	E 16 NZ
	1.6 i	07.89-02.93	60	16 SV
	1.6 i cat	10.87-02.93	55	C16 NZ/C16 LZ
Kadett E Caravan	1.6 i cat	09.86-08.91	55	C16 NZ/C16 LZ
Kadett E CC	1.3 N	09.84-08.91	44	13 NB/13 N
	1.3 S	09.84-08.87	55	13 S
	1.6 i	09.86-08.91	55	E 16 NZ
	1.6 i cat	09.86-08.91	55	C16 NZ/C16 LZ
Kadett E Combo	1.3 N	01.86-12.89	44	13 N
	1.3 S	01.86-12.89	55	13 S
	1.4 i	08.91-07.94	44	C14 NZ
	1.6 i	08.91-07.94	55	C16 NZ
Kadett E Van	1.6 i	08.89-09.93	55	C16 NZ
Manta B (58_, 59_)	1.3 S	08.81-08.86	55	13 S
Manta B CC	1.3 S	08.79-08.86	55	13 S
Monza A (22_)	2.2 E	11.84-08.86	85	22 E
Vectra A (86_, 87_)	1.6	09.88-12.90	60	16 SV
	1.6 i	09.88-11.95	55	C16 NZ/E 16 NZ
Vectra A CC	1.6 i cat	09.88-11.95	55	C16NZ
	1.6 S	09.88-12.90	60	16 SV

CL206

PIN	OEM-No.
	OPEL 12 08 003
	12 08 054
	12 08 070
	90 449 739
	90 510 386



OPEL (VAUXHALL)

Astra F (56_, 57_)	1.4	09.91-09.93	55	14 NV
	1.4	05.93-09.98	60	14 SE
	1.4 i	09.91-09.98	44	C14 NZ/X14 NZ
	1.4 Si	03.92-09.98	60	C14 SE
	1.6	09.95-09.98	55	16 NZR/16 LZ2
	1.8 i	03.92-09.98	66	C18 NZ

ignition coils

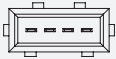


< CL206

OPEL (VAUXHALL)				
Astra F Cabriolet	1.4 Si	05.93-03.01	60	C14 SE
Astra F Caravan	1.4	09.91-09.93	55	14 NV
	1.4	09.92-01.98	60	14 SE
	1.4 i	09.91-01.98	44	C14 NZ
	1.4 Si	05.93-01.98	60	C14 SE
	1.8 i	09.91-01.98	66	C18 NZ
Astra F CC	1.4	09.91-09.93	55	14 NV
	1.4	09.92-01.98	60	14 SE
	1.4 i	03.92-01.98	44	C14 NZ
	1.4 Si	03.92-01.98	60	C14 SE
	1.6	09.95-01.98	55	16 NZR/16 LZ2
	1.8 i	09.91-01.98	66	C18 NZ
Astra F Clas. Caravan	1.4 i	01.98-01.05	44	X14 NZ
Astra F Classic CC	1.4 i	01.98-08.02	44	X14 NZ
Astra F Classic Sedan	1.4 i	01.98-08.02	44	X14 NZ
Astra F Van (55_)	1.4 i	10.91-01.99	44	C14 NZ
Combo (71_)	1.2	07.94-10.01	33	C12 NZ/X12 SZ
	1.4	07.94-10.01	44	C14 NZ/X14 SZ
Corsa A CC	1.2	09.82-08.90	33	E 12 GV/12 NC
	1.2 i	09.89-03.93	33	C12 NZ
	1.4 i	01.90-03.93	44	C14 NZ
	1.4 S	01.90-03.93	53	14 NV
	1.4 Si	09.91-03.93	60	C14 SE
	1.6 GSI	09.89-03.93	72	C16 SEI
	1.6 GSI	05.88-03.92	74	E 16 SE
	1.6 GSI cat	02.92-03.93	74	C16 SE
Corsa A TR	1.2 i	09.89-03.93	33	C12 NZ
	1.4 i	10.89-03.93	44	C14 NZ
Corsa B	1.2 i	03.93-09.00	33	C12 NZ
	1.2 i	03.93-09.00	33	12 NZ
	1.4 i	03.93-09.00	44	C14 NZ
Kadett E	1.4 i	01.90-08.91	44	C14 NZ
	1.4 S	01.90-08.91	55	14 NV
	1.6 S	09.84-08.86	66	16 SH
	1.8	09.87-08.90	84	18 E
	1.8 i	09.90-08.91	66	C18 NZ
Kadett E Cabriolet	1.4 i	01.90-08.91	44	C14 NZ
	1.4 S	08.90-02.93	55	14 NV
	1.6 i	07.89-02.93	60	16 SV
Kadett E Caravan	1.4 i	01.90-08.91	44	C14 NZ
	1.4 S	01.90-08.91	55	14 NV
	1.6	09.86-08.91	60	16 SV
	1.8 i	06.85-08.91	66	C18 NZ/C18 NT
Kadett E CC	1.4 i	01.90-08.91	44	C14 NZ
	1.4 S	01.90-08.91	55	14 NV
	1.6 S	09.86-08.91	60	16 SV
	1.8 i	06.85-08.91	66	C18 NZ
Kadett E Combo	1.4 i	08.91-07.94	44	C14 NZ
	1.4 S	07.89-08.91	55	14 NV
	1.6	09.86-12.91	60	16 SV
Kadett E Van	1.4 i	01.90-08.91	44	C14 NZ
Omega A	1.8	09.86-03.94	85	18 SEH
	1.8 S	09.86-03.94	66	18 SV
Omega A Caravan	1.8	09.86-03.94	85	18 SEH
	1.8 S	09.86-03.94	66	18 SV
Vectra A (86_, 87_)	1.6	08.92-07.93	51	C16 LZ2
	1.6	01.90-05.93	60	16 SV
	1.6 i	09.93-11.95	55	16 LZ2
	1.8 i cat	03.90-11.95	66	C18 NZ
	1.8 S	09.88-07.89	65	E 18 NVR
	1.8 S	09.89-10.90	66	18 SV
	1.8 S 4x4	01.89-07.89	65	E 18 NVR
Vectra A CC	1.6 i	09.93-11.95	55	16 LZ2
	1.6 i cat	09.88-11.95	55	C16NZ / C16NZ2C
	1.6 S	01.90-05.93	60	16 SV
	1.8 i	09.88-10.90	66	18 SV
	1.8 i cat	03.90-11.95	66	C18 NZ
	1.8 S	09.88-07.89	65	E 18 NVR
Vectra B (36_)	1.6 i	10.95-04.02	55	16 LZ2
Vectra B Caravan	1.6 i	11.96-06.00	55	16 LZ2
Vectra B CC (38_)	1.6 i	10.95-07.03	55	16 LZ2

CL207

PIN	OEM-No.
	OPEL 12 08 071 90458250

**OPEL (VAUXHALL)**

Astra F (56_, 57_)	1.8 i 16V	11.94-09.98	85	C18 XEL/X18 XE
	1.8 i 16V	09.95-08.97	85	C18 SEL
	1.8 i 16V	06.93-10.94	92	C18 XE
	2.0 i 16V	02.95-09.98	100	X 20 XEV
Astra F Cabriolet	1.8 i 16V	11.94-03.01	85	C18 XEL/X18 XE
Astra F Caravan	1.8 i 16V	07.94-01.98	85	C18 XEL/X18 XE
	1.8 i 16V	06.93-01.98	92	C18 XE
	2.0 i 16V	02.95-01.98	100	X 20 XEV
Astra F CC	1.8 i 16V	09.94-01.98	85	C18 XEL/X18 XE
	1.8 i 16V	06.93-08.94	92	C18 XE
	2.0 i 16V	02.95-01.98	100	X 20 XEV
Astra G Caravan	2.0 16V	02.98-07.04	100	X 20 XEV
Astra G CC	2.0 16V	02.98-01.05	100	X 20 XEV/C20 SEL
	2.0 16V OPC	11.99-09.02	118	X 20 XER
Astra G Sedan	2.0 16V	09.98-01.05	100	X 20 XEV
Calibra A (85_)	2.0 i 16V	02.94-07.97	100	X 20 XEV
	2.0 i 16V 4x4	02.94-07.97	100	X 20 XEV
Omega B	2.0 16V	03.94-09.99	100	X 20 XEV
Omega B Caravan	2.0 16V	03.94-09.99	100	X 20 XEV
Vectra A (86_, 87_)	2.0 i 16V	06.94-11.95	100	X 20 XEV
	2.0 i 16V 4x4	06.94-11.95	100	X 20 XEV
Vectra A CC	2.0 i 16V	06.94-11.95	100	X 20 XEV
Vectra B (36_)	1.8 i 16V	10.95-09.00	85	X18 XE1
	1.8 i 16V	10.95-09.00	85	X18 XE
	2.0 i 16V	10.95-09.00	100	X 20 XEV/C20 SEL
Vectra B Caravan	1.8 i 16V	11.96-09.00	85	X18 XE1
	1.8 i 16V	11.96-09.00	85	X18 XE
	2.0 i 16V	11.96-09.00	100	X 20 XEV/C20 SEL
Vectra B CC (38_)	1.8 i 16V	10.95-09.00	85	X18 XE1
	1.8 i 16V	10.95-09.00	85	X18 XE
	2.0 i 16V	10.95-09.00	100	X 20 XEV/C20 SEL
Zafira A (F75_)	1.8 16V	04.99-09.00	85	X18 XE1

CL208

PIN	OEM-No.
	OPEL 12 08 053 90 350 021 90 350 987 90 369 434
	SAAB 42 26 031 5171111

**OPEL (VAUXHALL)**

Astra F Caravan	2.0 i 16V	03.93-01.98	110	C20 XE
Astra F CC	2.0 GSI 16V	09.91-01.98	110	C20 XE
Calibra A (85_)	2.0 i	06.90-07.97	85	C20 NE
	2.0 i 4x4	06.90-07.97	85	C20 NE
	2.0 i 16V	06.90-02.94	110	C20 XE

< CL208**OPEL (VAUXHALL)**

Calibra A (85_)	2.0 i 16V 4x4	06.90-02.94	110	C20 XE
Frontera A	2.4 i	03.92-10.98	92	C24 NE
Frontera A Sport	2.0 i	03.92-10.98	85	C20 NE
Kadett E	1.8 S	09.87-08.91	62	E 18 NV
	2.0 i	03.87-08.91	85	20 NE/20 SE
	2.0 i cat	03.87-08.91	85	C20 NE
Kadett E Cabriolet	2.0 i	10.86-02.93	85	20 NE
	2.0 i cat	10.86-02.93	85	C20 NE
Kadett E Caravan	1.8 S	09.87-08.91	62	E 18 NV
	2.0 i	09.87-08.91	85	20 NE
Kadett E CC	1.8 S	09.87-08.91	62	E 18 NV/5 18 NV
	2.0 GSI	09.86-08.91	85	20 NE
	2.0 GSI	09.86-08.91	95	20 SEH
	2.0 GSI cat	09.86-08.91	85	C20 NE
Omega A	1.8	09.87-03.94	65	E 18 NVR
	1.8 N	09.86-08.87	60	18 NV
	2.0	09.90-03.94	73	C20 NEJ
	2.0	09.90-03.94	74	C20 NEF
	2.0	09.86-03.94	90	20 SE
	2.0 i	09.86-03.94	85	C20 NE
	2.4 i	09.88-03.94	92	C24 NE
	3.0	03.87-12.87	115	C 30 LE
	3.0	03.87-09.90	130	30 NE
	3.0 cat	03.88-03.94	130	C 30 NE
	3.0 24V	09.89-03.94	147	C 30 SEJ
	3.0 24V	09.89-03.94	150	C 30 SE
	3.0 24V Evolution	03.91-07.92	169	C 30 XEI
Omega A Caravan	1.8	09.87-03.94	65	E 18 NVR
	1.8 N	09.86-08.87	60	18 NV
	2.0	09.90-03.94	74	C20 NEF
	2.0	09.86-03.94	90	20 SE
	2.0 i	09.90-03.94	73	C20 NEJ
	2.0 i	09.86-03.94	85	C20 NE
	2.4 i	09.88-03.94	92	C24 NE
	3.0	03.87-03.94	115	C 30 LE
	3.0	03.87-09.90	130	30 NE
	3.0 cat	03.87-03.94	130	C 30 NE
	3.0 24V	09.89-03.94	147	C 30 SEJ
Senator B (29_)	2.5 i	09.90-09.93	103	25 NE
	2.6 i	09.90-09.93	110	C26 NE
	3.0	09.87-09.93	115	C 30 LE
	3.0 24V	09.89-09.93	150	C 30 SE
Vectra A (86_, 87_)	2.0 i	09.88-10.90	85	20 NE
	2.0 i	09.88-09.92	95	20 SEH
	2.0 i cat	09.88-11.95	85	C20 NE
	2.0 i 4x4	01.89-10.90	85	20 NE
	2.0 i 4x4	01.89-09.92	95	20 SEH
	2.0 i 4x4 cat	01.89-11.95	85	C20 NE
	2.0 i Turbo 4x4	06.94-11.95	150	C20 LET
	2000 16V 4x4	01.89-10.90	110	20 XEJ
	2000/GT 16V	01.89-06.94	110	20 XEJ
	2000/GT 16V cat	02.90-11.95	110	C20 XE
	2.0 GT 16V 4x4	02.90-11.95	110	C20 XE
Vectra A CC	2.0	04.88-09.89	74	C20 NEF
	2.0 i	09.88-10.90	85	20 NE
	2.0 i cat	09.88-11.95	85	C20 NE
	2.0 i 16V	02.89-10.90	110	20 XEJ
	2.0 i GT	06.90-11.95	95	20 SEH
SAAB				
900 II	2.0 i	08.94-02.98	96	B204I
	2.3 -16	07.93-02.98	110	B234I
900 II Cabriolet	2.0 i	12.93-02.98	96	B204I
	2.3 -16	12.93-02.98	110	B234I
900 II Coupe	2.0 i	08.94-02.98	96	B204I
	2.0 i	12.93-07.94	98	B206I
	2.3 -16	12.93-02.98	110	B234I
9-3 (YS3D)	2.0 i	02.98-09.02	96	B204I
	2.0 SE Turbo	02.98-09.02	147	B204R
	2.0 Turbo	10.98-09.02	113	B204E
	2.3 i	02.98-09.02	110	B234I
9-3 Cabriolet	2.0 i	02.98-08.03	96	B204I

CL208

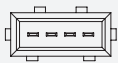
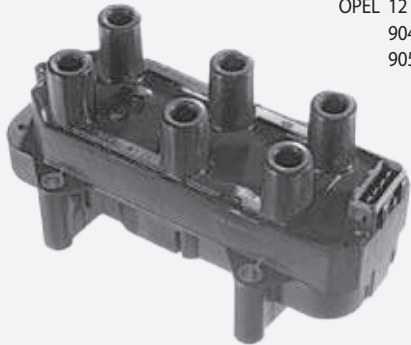
< CL208

SAAB

9-3 Cabriolet	2.0 SE Turbo	02.98-08.03	147	B204R
	2.0 Turbo	10.98-08.03	113	B204E
	2.0 Turbo	02.98-08.03	136	B205L/B204L
	2.0 Turbo	10.99-08.03	151	B205R
	2.3 i	02.98-08.03	110	B234I

CL209

PIN	OEM-No.
	OPEL 12 08 007
	90492255
	90511450

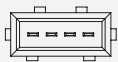
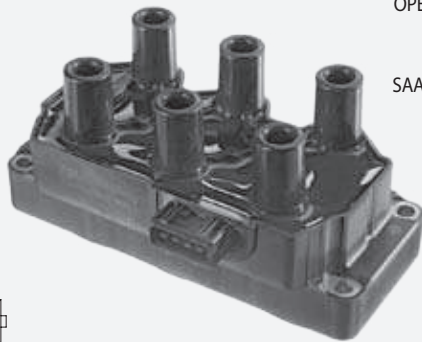


OPEL (VAUXHALL)

Omega B	2.5 V6	03.94-09.00	125	X 25 XE
	3.0 V6	04.94-02.01	155	X 30 XE
Omega B Caravan	2.5 V6	03.94-09.00	125	X 25 XE
	3.0 V6	04.94-02.01	155	X 30 XE
Vectra B (36_)	2.5 i V6	10.95-09.00	125	X 25 XE
	i 500 2.5	05.98-09.00	143	X 25 XE
Vectra B Caravan	2.5 i V6	11.96-09.00	125	X 25 XE
	i 500 2.5	05.98-09.00	143	X 25 XE
Vectra B CC (38_)	2.5 i V6	10.95-09.00	125	X 25 XE

CL210

PIN	OEM-No.
	OPEL 12 08 068
	90 358 386
	90 444 184
	SAAB 4770046



OPEL (VAUXHALL)

Calibra A (85_)	2.5 i V6	04.93-07.97	125	X 25 XE/C25 XE
Omega B	2.5 V6	03.94-09.00	125	X 25 XE
	3.0 V6	04.94-02.01	155	X 30 XE
Omega B Caravan	2.5 V6	03.94-09.00	125	X 25 XE
	3.0 V6	04.94-02.01	155	X 30 XE
Vectra A (86_, 87_)	2.5 CD 4x4	08.92-08.95	125	C25 XE
	2.5 V6	02.93-11.95	125	C25 XE
Vectra A CC	2.5 V6	02.93-11.95	125	C25 XE

SAAB

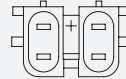
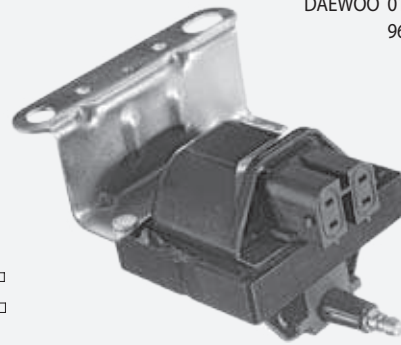
900 II	2.5 -24 V6	07.93-02.98	125	B258I
900 II Cabriolet	2.5 -24 V6	12.93-02.98	125	B258I
900 II Coupe	2.5 -24 V6	12.93-02.98	125	B258I
9000	3.0 -24 V6 CD	07.94-12.98	155	B308I
9000 CC	3.0 -24 V6 CS	07.94-12.98	155	B308I

ignition coils



CL211

SAE	OEM-No.
	DAEWOO 01115467
	96165049

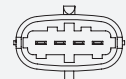
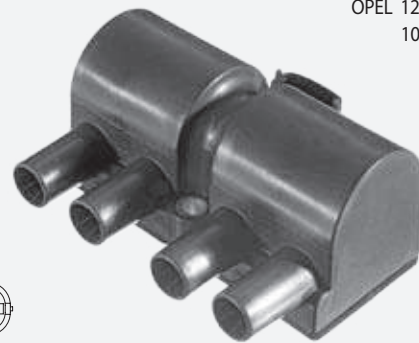


DAEWOO

Aranos	1.5	01.95-11.97	66	V15L
	1.8	01.95-11.97	70	Y18L
	2.0	01.95-11.97	77	C20LE
Cielo	1.5	04.95-07.97	55	Y15L
Cielo (KLETN)	1.5	08.96-08.97	44	G15MF
	1.5	02.95-08.97	52	G15MF
	1.5	02.95-08.97	55	G15MF
	1.5 16V	02.95-08.97	66	A15MF
Cielo Sedan	1.5	08.96-08.97	44	G15MF
	1.5	02.95-08.97	52	G15MF
Espero (KLEJ)	1.5	02.95-08.97	55	G15MF
	1.5 16V	02.95-08.97	66	A15MF
	1.5 16V	02.95-06.99	66	A15MF
	1.5 16V	10.93-09.94	65	A15MF
Nexia Sedan	1.8	02.95-09.99	66	C18LE
	1.8	02.95-06.99	70	C18LE
	2.0	02.95-06.99	77	C20LE
	2.0	10.91-09.93	74	C20LZ
	2.0	10.93-09.94	81	C20LE
Nexia Sedan	1.6	07.08-	80	F16D3

CL212

PIN	OEM-No.
	OPEL 12 08 010
	10457870



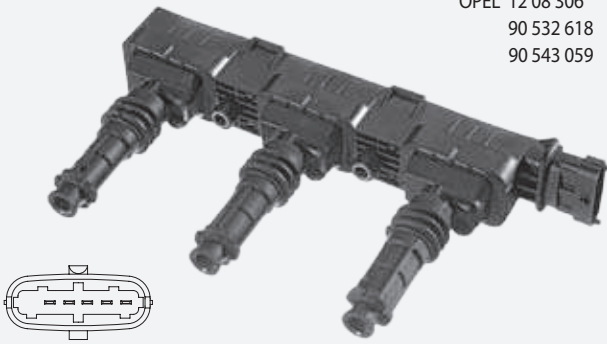
OPEL (VAUXHALL)

Astra G Caravan	1.6	09.00-07.04	62	Z16 SE
Astra G CC	1.6	09.00-01.05	62	Z16 SE
Astra G Sedan	1.6	09.00-01.05	62	Z16 SE
Astra G Van (F70)	1.6	09.00-04.05	62	Z16 SE
Combo Tour	1.6	10.01-	64	Z16 SE
Combo Van/Combi	1.6	10.01-	64	Z16 SE
Meriva	1.6	05.03-05.10	64	Z16 SE

CL213

OEM-No.

OPEL 12 08 306
90 532 618
90 543 059



OPEL (VAUXHALL)

Agila (A) (H00)	1.0 12V	09.00-12.07	43	Z10 XE
Corsa B	1.0 i 12V	11.96-09.00	40	X10 XE
Corsa C (F08, F68)	1.0	09.00-06.03	43	Z10 XE

CL214

OEM-No.

OPEL 12 08 012
90 543 253
90 560 110



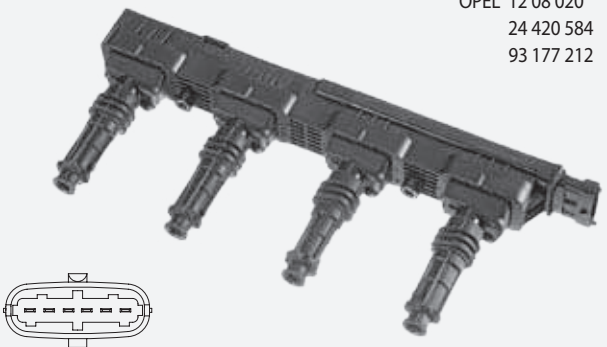
OPEL (VAUXHALL)

Agila (A) (H00)	1.2 16V	09.00-12.07	55	Z12 XE
Astra G Caravan	1.2 16V	02.98-09.00	48	X12 XE
	1.2 16V	09.00-07.04	55	Z12 XE
Astra G CC	1.2 16V	02.98-09.00	48	X12 XE
	1.2 16V	09.00-01.05	55	Z12 XE
Astra G Sedan	1.2 16V	09.98-09.00	48	X12 XE
	1.2 16V	09.00-01.05	55	Z12 XE
Corsa B	1.2 i 16V	03.98-09.00	48	X12 XE
Corsa C	1.2	09.00-12.09	55	Z12 XE
Corsa C Van	1.2 16V	09.00-	55	Z12 XE

CL215

OEM-No.

OPEL 12 08 020
24 420 584
93 177 212



OPEL (VAUXHALL)

Agila (A) (H00)	1.2 16V Twinport	07.04-12.07	59	Z12 XEP
Astra G Caravan	1.4	09.07-12.09	66	Z14 XEP
Astra G CC	1.4	09.07-12.09	66	Z14 XEP
Astra G Sedan	1.4	09.07-12.09	66	Z14 XEP
Astra H (L48)	1.2	08.05-	59	Z12 XEP
	1.4	03.04-	66	Z14 XEP
Astra H Caravan	1.4	08.04-	55	Z14 XEL

< CL215

OPEL (VAUXHALL)

Astra H Caravan	1.4	08.04-	66	Z14 XEP
	1.4 LPG	08.09-	66	Z14 XEP
Astra H GTC	1.2	08.05-	59	Z12 XEP
	1.4	03.05-	66	Z14 XEP
Combo Tour	1.4	10.04-	66	Z14 XEP
Combo Van/Combi	1.4 16V	08.05-	66	Z14 XEP
Corsa C	1.2	09.00-12.09	55	Z12 XE
	1.2 Twinport	07.04-12.09	59	Z12 XEP
	1.4 Twinport	06.03-12.09	66	Z14 XEP
Corsa C Van	1.2	07.05-	59	Z12 XEP
	1.2 16V	09.00-	55	Z12 XE
	1.4	08.03-	66	Z14 XEP
Corsa D	1.2	07.06-	59	Z12 XEP
	1.2 LPG	09.09-	59	Z12 XEP
	1.4	07.06-	66	Z14 XEP
	1.4 LPG	07.06-	66	Z14 XEP
Corsa D Van	1.2	06.10-	51	A 12 XEL
	1.2	07.09-	59	Z12 XEP
	1.2	06.10-	63	A 12 XER
Meriva	1.4 16V Twinport	07.04-05.10	66	Z14 XEP
	1.4 16V Twinp. LPG	07.04-05.10	66	Z14 XEP
Tigra TwinTop	1.4	06.04-	66	Z14 XEP

CL216

SAE

OEM-No.

CHEVROLET 96291054
DAEWOO 96291054



CHEVROLET

Matiz (M200, M250)	0.8	03.05-	38	F8CV
	0.8 LPG	03.05-	38	F8CV
Spark	0.8	05.05-	37	F8CV
	0.8	09.00-12.04	38	F8CV

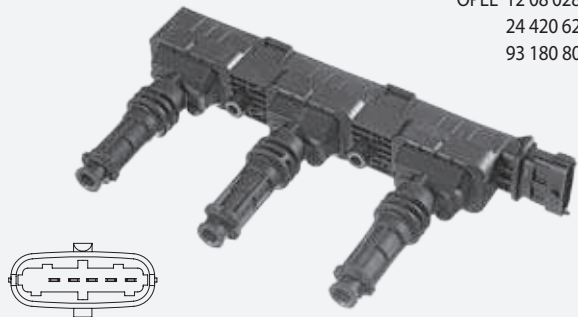
DAEWOO

Matiz (KLYA)	0.8	01.02-	38	F8CV
--------------	-----	--------	----	------

CL217

OEM-No.

OPEL 12 08 028
24 420 622
93 180 806



OPEL (VAUXHALL)

Agila (A) (H00)	1.0	08.03-12.07	44	Z10 XEP
Corsa C	1.0	06.03-12.09	44	Z10 XEP
Corsa D	1.0	07.06-	44	Z10 XEP

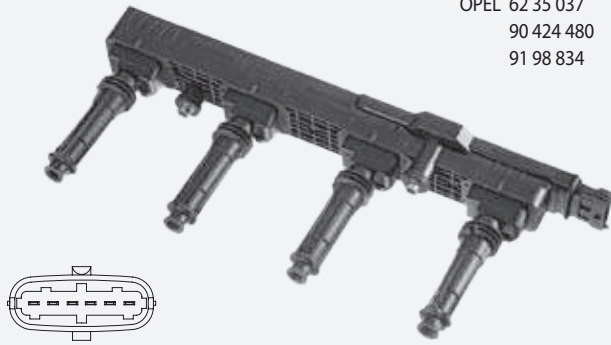
2

CL218

CL218

OEM-No.

OPEL 62 35 037
90 424 480
91 98 834



OPEL (VAUXHALL)

Astra G Cabriolet	2.0 16V Turbo	11.02-10.05	147	Z 20 LET
	2.0 OPC	03.02-10.05	141	Z 20 LET
Astra G Caravan	2.0 OPC	09.02-07.04	141	Z 20 LET
	2.0 OPC	11.02-07.04	147	Z 20 LET
Astra G CC	2.0 OPC	09.02-01.05	141	Z 20 LET
	2.0 OPC	11.02-01.05	147	Z 20 LET
Astra G Coupe	2.0 16V Turbo	09.00-08.01	140	Z 20 LET
	2.0 16V Turbo	08.01-05.05	141	Z 20 LET
	2.0 16V Turbo	11.02-05.05	147	Z 20 LET
Astra H (L48)	2.0 Turbo	03.04-	125	Z 20 LEL
	2.0 Turbo	09.04-	147	Z 20 LER
	2.0 Turbo	03.05-	177	Z 20 LEH
Astra H Caravan	2.0 Turbo	08.04-	125	Z 20 LEL
	2.0 Turbo	09.04-	147	Z 20 LER
Astra H GTC	2.0 Turbo	03.05-	147	Z 20 LER
	2.0 Turbo	03.05-	125	Z 20 LEL
	2.0 Turbo	08.05-	177	Z 20 LEH
Astra H TwinTop	2.0 Turbo	09.05-	125	Z 20 LEL
	2.0 Turbo	09.05-	147	Z 20 LER
Speedster	2.0 Turbo	04.03-	147	Z 20 LET
Zafira A (F75_)	2.0 OPC	09.01-06.05	141	Z 20 LET
	2.0 OPC	11.02-06.05	147	Z 20 LET/Z 20 LER
Zafira B (A05)	2.0	07.05-	147	Z 20 LER
	2.0	01.06-	177	Z 20 LEH

CL219

PIN

OEM-No.

OPEL 12 08 065
90 443 900
90 449 572



OPEL (VAUXHALL)

Astra F Caravan	2.0 i 16V	03.93-01.98	110	C20 XE
Astra F CC	2.0 GSI 16V	09.91-01.98	110	C20 XE
Calibra A (85_)	2.0 i 16V	06.90-02.94	110	C20 XE
	2.0 i 16V 4x4	06.90-02.94	110	C20 XE
Frontera A	2.2 i	03.95-10.98	100	X 22 XE
Frontera A Sport	2.0 i	03.92-10.98	85	X 20 SE
Omega B	2.0	03.94-09.99	85	X 20 SE
	2.0	03.94-12.00	85	20 SE
Omega B Caravan	2.0	03.94-09.99	85	X 20 SE
Vectra A	2000/GT 16V cat	02.90-11.95	110	C20 XE
	2.0 GT 16V 4x4	02.90-11.95	110	C20 XE
Vectra A CC	2.0 i 16V cat	02.90-11.95	110	C20 XE
Vectra B (36_)	2.0 i	10.95-04.02	82	20 NEJ
Vectra B Caravan	2.0 i	11.96-02.02	82	20 NEJ

ignition coils

TESLA

< CL219

OPEL (VAUXHALL)

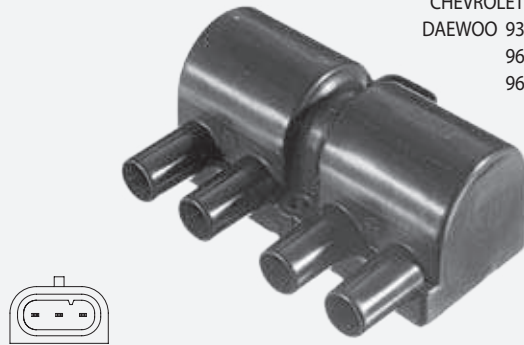
Vectra B CC (38_) 2.0 i 10.95-02.02 82 20 NEJ

CL220

PIN

OEM-No.

CHEVROLET 96253555
DAEWOO 93363483
96253555
96566260



CHEVROLET

Aveo CC (T250, T255)	1.2	10.08-	53	F12S3
	1.2	04.08-	62	LMU/B12D1
	1.2 LPG	04.08-	62	LMU/B12D1
	1.4	04.08-	74	A14XER/LDT/F14D4
Aveo Sedan	1.2	03.06-12.07	53	F12S3/LQ5
	1.2	01.08-	62	LMU/B12D1
	1.4	03.06-12.07	69	F14D3/L14
	1.4	09.08-	74	F14D4
	1.5	05.05-	62	F15S3/LX6
Captiva (C100, C140)	2.4	06.06-	100	Z 24 SED
	2.4	12.06-	103	Z 24 SED
	2.4 4WD	06.06-	100	Z 24 SED
	2.4 4WD	12.06-	103	Z 24 SED
	2.4 LPG	01.07-	100	Z 24 SED
	2.4 LPG 4WD	01.07-	100	Z 24 SED
Cruze (J300)	1.6	05.09-	80	LXV/F16D3/LXT
	1.6	05.09-	83	F16D4
	1.6	05.09-	91	LDE/F16D4
Evanda	2.0	03.05-	96	X 20 SED
Kalos	1.2	03.05-	53	B12S1
	1.4	03.05-	61	F14S3
	1.4 16V	03.05-	69	F14D3
Kalos Sedan	1.2	03.05-	53	F12S3
	1.4	03.05-	61	F14S3
	1.4 16V	03.05-	69	F14D3
Lacetti (J200)	1.8	08.05-	89	F18D3
	1.8	03.05-	90	T18SED
Matiz (M200, M250)	1.0	03.05-	47	B10S
	1.0	03.05-	49	B10S1
	1.0 LPG	03.05-	49	B10S1
Nubira Combi	1.8	03.05-	90	T18SED
Nubira Sedan	1.8	03.05-	90	T18SED
Spark	1.0 SX	05.05-	46	LA2/B10S
	1.0 SX	05.05-	49	B10S1
Spark (M300)	1.0	03.10-	50	B10D1
	1.2	03.10-	60	LMU/B12D1
Tacuma	1.6	03.05-	77	A16DMS
	1.6	08.05-	79	A16DMS
	2.0	03.05-	89	T20SED
	2.0	08.05-	90	T20SED
DAEWOO				
Evanda (KLAL)	2.0	08.02-	96	L88/X 20 SED
Kalos (KLAS)	1.2	04.03-	53	B12S1
	1.4	09.02-	61	F14S3
	1.4 16V	04.03-	69	F14D3
Kalos Sedan (KLAS)	1.4	11.02-12.04	61	F14S3
	1.4	05.03-12.04	69	F14D3
Lacetti CC (KLAN)	1.4	02.04-	70	F14D3
	1.8	02.04-	90	T18SED
Lacetti Sedan (J200)	1.8 CDX	08.03-12.04	90	T18SED
Lanos (KLAT)	1.5	05.97-	63	A15SMS
Matiz (KLYA)	1.0	01.03-	47	B10S

< CL220
DAEWOO

Nubira Sedan (KLAJ)	2.0	06.99-07.03	81	C20SED
Nubira Sedan (KLAN)	1.8	07.03-	90	T18SED
Nubira Wagon (KLAN)	1.8	07.03-	90	T18SED
Tacuma (KLAU)	1.6	09.00-	77	A16DMS
	1.8	09.00-	67	F18D2
	1.8	09.00-	72	A18DMS
	1.8	09.00-	74	F18S2
	2.0	09.01-	89	X 20 SED
	2.0	09.00-	94	T20SED

OPEL (VAUXHALL)

Antara	2.4	09.08-	103	Z 24 XE
	2.4	05.06-	104	Z 24 XED

CL221

ALFA ROMEO

159 (939)	1.8 MPI	03.07-11.11	103	939 A4.000
	1.8 TBi	05.09-11.11	147	939 B1.000
159 Sportwagon	1.8 MPI	03.07-11.11	103	939 A4.000
	1.8 TBi	05.09-11.11	147	939 B1.000

FIAT

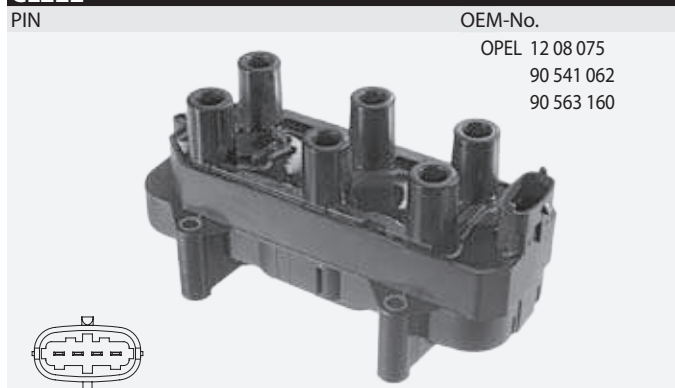
Croma (194)	1.8 16V	12.05-	103	939 A4.000
Stilo (192)	1.6 16V	05.05-11.06	77	192 B3.000

OPEL (VAUXHALL)

Astra G Cabriolet	1.6	01.03-10.05	76	Z16 XEP
Astra G Caravan	1.6	12.02-07.09	76	Z16 XEP
Astra G CC	1.6	12.02-12.09	76	Z16 XEP
Astra G Coupe	1.6 16V	03.00-05.05	76	Z16 XEP
Astra G Sedan	1.6	12.02-12.09	76	Z16 XEP
Astra H (L48)	1.6	03.04-	77	Z16 XE1/Z16 XEP
	1.6	12.06-	85	A 16 XER/Z16 XER
	1.6 Turbo	02.07-	132	Z16 LET
	1.8	01.06-	103	Z18 XER/A 18 XER
Astra H Caravan	1.6	08.04-	77	Z16 XE1/Z16 XEP
	1.6	12.06-	85	A 16 XER/Z16 XER
	1.6 Turbo	02.07-	132	Z16 LET
	1.8	08.05-	103	Z18 XER/A 18 XER
Astra H GTC (L08)	1.6	03.05-	77	Z16 XE1/Z16 XEP
	1.6	12.06-	85	Z16 XER
	1.6 Turbo	02.07-	132	Z16 LET
	1.8	01.06-	103	Z18 XER
Astra H TwinTop	1.6	09.05-	77	Z16 XE1/Z16 XEP
	1.6	12.06-	85	Z16 XER
	1.6 Turbo	02.07-	132	Z16 LET
	1.8	09.05-	103	Z18 XER/A 18 XER
Corsa D	1.6 Turbo	02.07-	110	Z16 LEL/A 16 LEL
	1.6 Turbo	02.07-	141	B16 LER/A16 LER
Insignia	1.6 Turbo	07.08-	132	A 16 LET
Insignia Caravan	1.6 Turbo	01.09-	132	A 16 LET
Insignia Sedan	1.6 Turbo	01.09-	132	A 16 LET
Meriva	1.6	01.06-05.10	77	Z16 XEP
	1.6 Turbo	09.05-05.10	132	Z16 LET
Signum	1.8	09.05-	103	Z18 XER
Vectra C	1.6	01.06-	77	Z16 XEP
	1.8	01.06-	103	Z18 XER
Vectra C Caravan	1.6	01.06-	77	Z16 XEP
	1.8	01.06-	103	Z18 XER

< CL221
OPEL (VAUXHALL)

Vectra C GTS	1.6	01.06-	77	Z16 XEP
	1.8	01.06-	103	Z18 XER
Zafira B (A05)	1.6	07.05-	77	Z16 XE1/Z16 XEP
	1.6	01.08-	85	A 16 XER/Z16 XER
	1.6 CNG Turbo	02.09-	110	A 16 XNT/Z16 XNT
	1.8	07.05-	103	Z18 XER/A 18 XER
Zafira B Van	1.8	07.05-	103	Z18 XER/A 18 XER
Zafira Tourer C	1.6 CNG	10.11-	110	A 16 XNT/B 16 XNT

CL222

OPEL (VAUXHALL)

Omega B	2.5 V6	03.94-09.00	125	X 25 XE
	3.0 V6	04.94-02.01	155	X 30 XE
Omega B Caravan	2.5 V6	03.94-09.00	125	X 25 XE
	3.0 V6	04.94-02.01	155	X 30 XE

CL223

OPEL (VAUXHALL)

Omega B	2.2 16V	09.99-07.03	106	Y 22 XE/Z 22 XE
Omega B Caravan	2.2 16V	09.99-07.03	106	Y 22 XE/Z 22 XE

CL224

FIAT

Croma (194)	2.2 16V	06.05-	108	194 A1.000
-------------	---------	--------	-----	------------

OPEL (VAUXHALL)

Astra G Cabriolet	2.2 16V	03.01-10.05	108	Z 22 SE
-------------------	---------	-------------	-----	---------

CL224

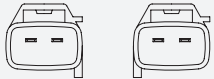
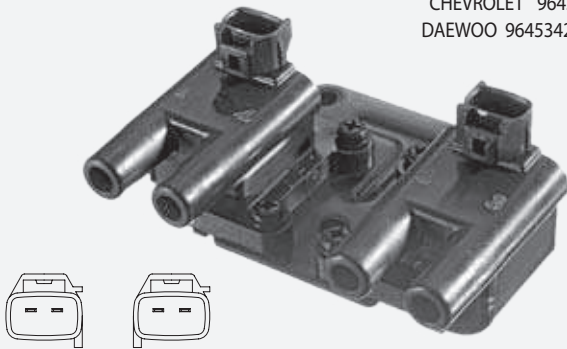
< CL224

OPEL (VAUXHALL)

Model	Engine	Year	Code	Notes
Astra G Caravan	2.2 16V	03.01-07.04	108	Z 22 SE
Astra G CC	2.2 16V	06.00-01.05	108	Z 22 SE
Astra G Coupe	2.2 16V	09.00-05.05	108	Z 22 SE
Astra G Sedan	2.2 16V	03.01-01.05	108	Z 22 SE
Speedster	2.2	09.00-	108	Z 22 SE
Vectra B (36_)	2.2 i 16V	09.00-04.02	108	Z 22 SE
Vectra B Caravan	2.2 i 16V	09.00-07.03	108	Z 22 SE
Vectra B CC (38_)	2.2 i 16V	09.00-07.03	108	Z 22 SE
Vectra C	2.2 16V	04.02-	108	Z 22 SE
Vectra C GTS	2.2 16V	08.02-	108	Z 22 SE
Zafira A (F75_)	2.2 16V	09.00-06.05	108	Z 22 SE

CL225

DIN	OEM-No.
	CHEVROLET 96453420
	DAEWOO 96453420



CHEVROLET

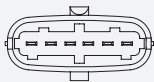
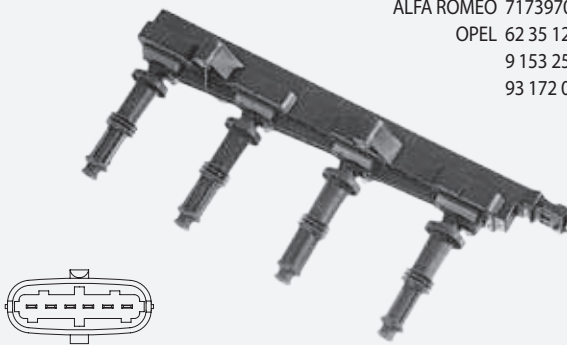
Lacetti (J200)	1.4 16V	03.05-	70	F14D3
	1.6	03.05-	80	F16D3
Nubira Combi	1.6	03.05-	80	F16D3
Nubira Sedan	1.4	01.05-	69	F14D3
	1.4	01.06-	70	F14D3
	1.6	03.05-	80	F16D3

DAEWOO

Lacetti CC (KLAN)	1.6	02.04-	80	F16D3
Nexia Sedan	1.6	07.08-	80	F16D3
Nubira Sedan (KLAN)	1.6	07.03-	80	F16D3
Nubira Wagon (KLAN)	1.6	07.03-	80	F16D3

CL226

OEM-No.
ALFA ROMEO 71739702
OPEL 62 35 124
9 153 250
93 172 030



ALFA ROMEO

159 (939)	2.2 JTS	09.05-11.11	136	939 A5.000
159 Sportwagon	2.2 JTS	03.06-11.11	136	939 A5.000
Brera	2.2 JTS	01.06-	136	939 A5.000
Spider (939)	2.2 JTS	09.06-	136	939 A5.000

OPEL (VAUXHALL)

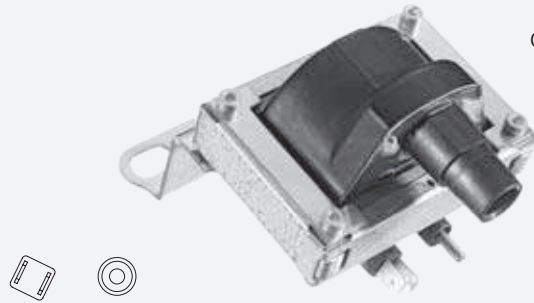
Signum	2.2 Direct	05.03-	114	Z 22 YH
Vectra C	2.2 Direct	10.03-	114	Z 22 YH
Vectra C Caravan	2.2 Direct	10.03-	114	Z 22 YH
Vectra C GTS	2.2 Direct	10.03-	114	Z 22 YH
Zafira B (A05)	2.2	07.05-	110	Z 22 YH

ignition coils



CL228

DIN	OEM-No.
	GM 3474200
	9268344
	OPEL 1208022
	1208031

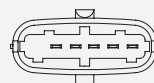
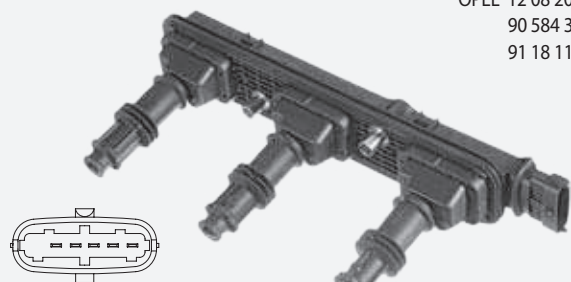


OPEL (VAUXHALL)

Corsa A CC	1.0	09.82-03.93	33	10 S
	1.2	09.82-08.90	33	E 12 GV/12 NC
Corsa A TR	1.0	09.82-09.92	33	10 S
	1.2 N	01.85-10.87	33	E 12 GV/12 NC
Corsa A Van	1.0	02.86-04.89	33	10 S
	1.2	02.86-04.89	33	E 12 GV/12 NC
Kadett D	1.2	08.79-07.82	39	12 N
	1.2	08.82-08.84	40	12 ST
Kadett D Caravan	1.2	08.79-07.82	39	12 N
Kadett E	1.2	09.84-07.86	40	12 SC
Kadett E Caravan	1.2	09.84-07.86	40	12 SC
Kadett E CC	1.2	09.84-07.86	40	12 SC
Kadett E Van	1.2	09.84-07.86	40	12 SC
Manta A	1.6	02.75-08.75	44	16 N
	1.6	09.70-08.75	50	16 N
	1.6	02.75-08.75	55	16 S
	1.6 S	09.70-08.75	59	16 S
	1.9 S	09.70-08.75	66	19 S
Manta B	1.3 S	08.81-08.86	55	13 S
	1.6 N	09.75-12.80	44	16 N
	1.6 S	09.75-12.81	55	16 S
	1.8 S	07.82-08.87	66	18 S
	1.9 S	09.75-12.80	66	19 S
	2.0 E	08.77-08.88	81	20 E
	2.0 S	08.77-08.84	74	20 S
Manta B CC	1.3 S	08.79-08.86	55	13 S
	1.6 N	09.75-12.80	44	16 N
	2.0 E	08.77-08.88	81	20 E
	2.0 S	08.77-08.84	74	20 S

CL229

OEM-No.
OPEL 12 08 209
90 584 336
91 18 114



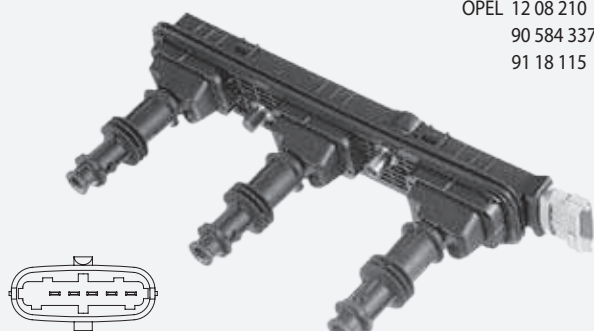
for cylinder 1 & 3 & 5 (coil CL230: 2 & 4 & 6)

OPEL (VAUXHALL)

Omega B	2.6 V6	09.00-07.03	132	Y 26 SE
	3.2 V6	02.01-07.03	160	Y 32 SE
Omega B Caravan	2.6 V6	09.00-07.03	132	Y 26 SE
	3.2 V6	02.01-07.03	160	Y 32 SE
Signum	3.2 V6	05.03-	155	Z 32 SE
Vectra B (36_)	2.6 i V6	09.00-04.02	125	Y 26 SE
Vectra B Caravan	2.6 i V6	09.00-07.03	125	Y 26 SE
Vectra B CC (38_)	2.6 i V6	09.00-07.03	125	Y 26 SE
Vectra C	3.2 V6	08.02-	155	Z 32 SE
Vectra C Caravan	3.2 V6	10.03-	155	Z 32 SE
Vectra C GTS	3.2 V6	08.02-	155	Z 32 SE

CL230

OEM-No.
OPEL 12 08 210
90 584 337
91 18 115



for cylinder 2 & 4 & 6 (coil CL229: 1 & 3 & 5)

OPEL (VAUXHALL)

Omega B	2.6 V6	09.00-07.03	132	Y 26 SE
	3.2 V6	02.01-07.03	160	Y 32 SE
Omega B Caravan	2.6 V6	09.00-07.03	132	Y 26 SE
	3.2 V6	02.01-07.03	160	Y 32 SE
Vectra B (36_)	2.6 iV6	09.00-04.02	125	Y 26 SE
Vectra B Caravan	2.6 iV6	09.00-07.03	125	Y 26 SE
Vectra B CC (38_)	2.6 iV6	09.00-07.03	125	Y 26 SE

CL231

DIN OEM-No.
DAEWOO 94582699

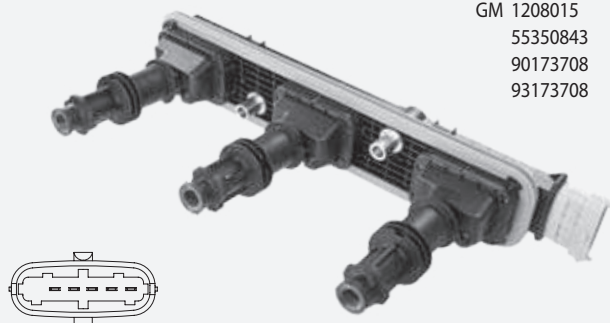


DAEWOO

Tico (KLY3)	0.8	02.95-12.00	35	F8C
	0.8	01.96-12.00	38	F8CV

CL232

OEM-No.
GM 1208015
55350843
90173708
93173708

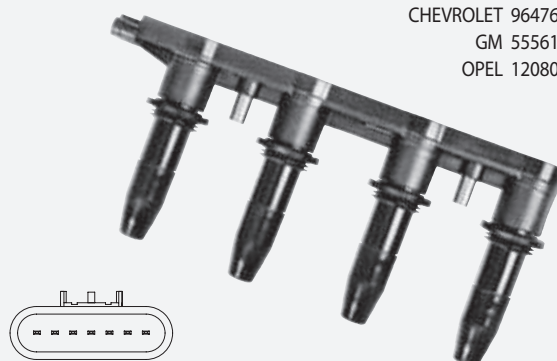


OPEL (VAUXHALL)

Signum	3.2 V6	05.03-	155	Z 32 SE
Vectra C	3.2 V6	08.02-	155	Z 32 SE
Vectra C Caravan	3.2 V6	10.03-	155	Z 32 SE
Vectra C GTS	3.2 V6	08.02-	155	Z 32 SE

CL233

OEM-No.
CHEVROLET 96476983
GM 55561655
OPEL 1208086



CHEVROLET

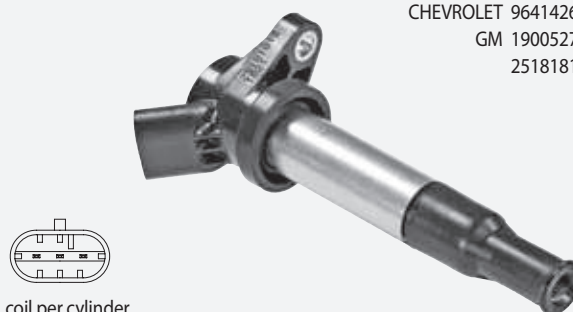
Aveo CC (T300)	1.6	03.11-	85	F16D4
Aveo Sedan (T300)	1.6	03.11-	85	F16D4

OPEL (VAUXHALL)

Astra GTC J	1.6	10.11-	132	A 16 LET
	1.8	10.11-	103	A 18 XER
Astra J	1.6	12.09-	85	A 16 XER
	1.6 Turbo	12.09-	132	A 16 LET
Astra J Sedan	1.6	06.12-	85	A 16 XER
	1.6 Turbo	06.12-	132	A 16 LET
Astra J Sports Tourer	1.6	10.10-	85	A 16 XER
	1.6 Turbo	10.10-	132	A 16 LET
Corsa E	1.6 Turbo	03.15-	152	B 16 LES
Insignia	1.6	07.08-	85	A 16 XER
	1.8	07.08-	103	A 18 XER
Insignia Caravan	1.6	07.08-	85	A 16 XER
	1.8	07.08-	103	A 18 XER
Insignia Sedan	1.6	07.08-	85	A 16 XER
	1.8	07.08-	103	A 18 XER
Mokka	1.8	01.13-	103	A 18 XER
	1.8 4x4	01.13-	103	A 18 XER
Zafira B (A05)	1.8	06.13-	88	A 18 XEL
Zafira Tourer C	1.8	10.11-	103	A 18 XER
	1.8	10.11-	85	A 18 XEL
	1.8	10.11-	88	A 18 XEL

CL234

OEM-No.
CHEVROLET 96414260
GM 19005277
25181813



1 coil per cylinder

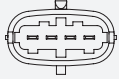
CHEVROLET

Epica (KL1_)	2.0	06.06-	105	X 20 D1
	2.5	06.06-	115	LF4

2

CL235

CL235



1 coil per cylinder

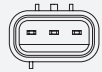
OPEL (VAUXHALL)

Model	Engine	Year	OEM-No.
Signum	2.0 Turbo	05.03-	129 Z 20 NET
Vectra C	2.0 16V Turbo	03.03-	129 Z 20 NET
Vectra C Caravan	2.0 Turbo	10.03-	129 Z 20 NET
Vectra C GTS	2.0 16V Turbo	03.03-	129 Z 20 NET

SAAB

9-3 (YS3F)	2.0 T BioPower	09.02-	154 B207R
	2.0 T BioPow. XWD	01.08-	154 B207R
	2.0 Turbo XWD	01.08-	154 B207R
9-3 Cabriolet (YS3F)	1.8 T	08.03-	110 B207E
	2.0 T	08.03-	154 B207R
9-3 Combi (YS3F)	1.8 T 2.0	03.05-	110 B207E
	2.0 T BioPow. XWD	06.08-	154 B207R
	2.0 T XWD	06.08-	154 B207R
9-3X	2.0 T BioPow. XWD	02.09-	154 B207R
	2.0 T XWD	02.09-	154 B207R

CL236



1 coil per cylinder

FIAT

Sedici	1.6 16V	07.09-	79 M16A
	1.6 16V	07.09-	88 M16A
	1.6 16V 4x4	07.09-	79 M16A
	1.6 16V 4x4	07.09-	88 M16A

OPEL (VAUXHALL)

Agila (B) (H08)	1.0	07.11-	50 K10B
	1.0	04.08-	48 K10B
	1.0 LPG	01.10-	48 K10B
	1.2	04.08-	63 K12B
	1.2	11.10-	69 K12B
	1.2 LPG	04.08-	63 K12B

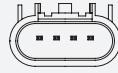
SUZUKI

Splash	1.0	01.08-	48 K10B
	1.0	06.11-	50 K10B
	1.2	01.08-	63 K12B
	1.2 VVT	09.10-	69 K12B

ignition coils



CL237



1 coil per cylinder

CHEVROLET

Captiva (C100, C140)	2.4	03.11-	123 A 24 XE/LE5
	2.4 4WD	03.11-	123 A 24 XE/LE5

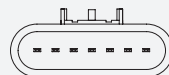
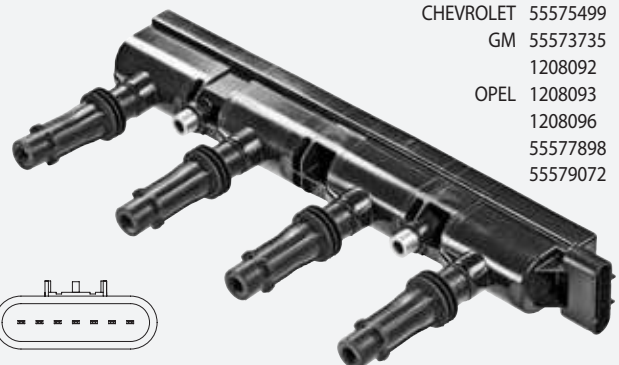
OPEL (VAUXHALL)

Antara	2.4	12.10-	123 A 24 XE
	2.4 4x4	12.10-	123 A 24 XE
Astra GTC J	2.0	04.12-	206 A 20 NFT
GT Cabriolet	2.0	06.07-	194 LNF/Z 20 NHH
Insignia	2.0 E85 Turbo	09.10-	162 A 20 NHT
	2.0 Turbo	07.08-	162 A 20 NHT
	2.0 Turbo 4x4	07.08-	162 A 20 NHT
	2.0 Turbo 4x4	09.11-	184 A 20 NFT
Insignia Caravan	2.0 E85 Turbo	09.10-	162 A 20 NHT
	2.0 Turbo	07.08-	162 A 20 NHT
	2.0 Turbo 4x4	07.08-	162 A 20 NHT
	2.0 Turbo 4x4	09.11-	184 A 20 NFT
	2.0 Turbo 4x4	07.08-	162 A 20 NHT
	2.0 Turbo 4x4	09.11-	184 A 20 NFT
Insignia Sedan	2.0 Turbo	07.08-	162 A 20 NHT
	2.0 Turbo 4x4	07.08-	162 A 20 NHT
	2.0 Turbo 4x4	09.11-	184 A 20 NFT
	2.0 Turbo E85	07.08-	162 A 20 NHT

SAAB

9-3 (YS3F)	2.0 T	01.11-	162 A 20 NFT
	2.0 T BioPower	01.11-	162 A 20 NFT
	2.0 T BioPow. XWD	01.08-	162 A 20 NFT
	2.0 T XWD	01.08-	162 A 20 NFT
9-3 Cabriolet	2.0 T	01.11-	162 A 20 NFT
	2.0 T BioPower	01.11-	162 A 20 NFT
9-3 Combi (YS3F)	2.0 T	01.11-	162 A 20 NFT
	2.0 T BioPower	01.11-	162 A 20 NFT
	2.0 T BioPow. XWD	01.11-	162 A 20 NFT
	2.0 T XWD	01.11-	162 A 20 NFT
9-3X	2.0 T BioPow. XWD	01.11-	162 A 20 NFT
9-5 (YS3G)	2.0 T BioPower	05.10-	162 A 20 NFT
	2.0 T BioPow. XWD	05.10-	162 A 20 NHT
	2.0 Turbo	05.10-	162 A 20 NHT
	2.0 Turbo XWD	05.10-	162 A 20 NHT

CL238



CHEVROLET

Aveo CC (T300)	1.2	03.11-	51 A 12 XEL
	1.2	03.11-	63 A 12 XER
	1.2 LPG	11.12-	63 A 12 XER

< CL238
CHEVROLET

Aveo CC (T300)	1.4	03.11-	74	A 14 XER
	1.4 Turbo	08.13-	103	LUJ/LUV
Aveo Sedan (T300)	1.2	03.11-	51	A 12 XEL
	1.2	03.11-	63	A 12 XER
	1.2 LPG	11.12-	63	A 12 XER
	1.4	07.11-	74	A 14 XER
Cruze CC (J305)	1.4	06.12-	103	LUJ
Cruze Stat. Wagon	1.4	08.12-	103	LUJ
Orlando (J309)	1.4	06.12-	103	LUJ
Trax	1.4	12.12-	103	LUJ/LUV
	1.4 AWD	12.12-	103	LUJ
	1.4 LPG	04.13-	103	A 14 NET/B 14 NET

OPEL (VAUXHALL)

Adam	1.2	10.12-	51	A 12 XEL
	1.2	07.13-	69	
	1.4	10.12-	64	A 14 XEL
	1.4	10.12-	74	A 14 XER
	1.4 LPG	07.13-	64	A 14 XEL
Ampera	EV 150	11.11-	111	A 14 XFL
Astra GTC J	1.4	10.11-	74	A 14 XER
	1.4	10.11-	88	B 14 NEL/A 14 NEL
	1.4	10.11-	103	A 14 NET/B 14 NET
Astra J	1.4	12.09-	64	A 14 XEL
	1.4	12.09-	74	A 14 XER
	1.4 LPG	01.12-	103	A 14 NET
	1.4 Turbo	10.10-	88	A 14 NEL
	1.4 Turbo	12.09-	103	A 14 NET
Astra J Sedan	1.4	06.12-	74	A 14 XER
	1.4 LPG	07.14-	103	A 14 NET
	1.4 Turbo	06.12-	103	A 14 NET/B 14 NET
	1.4 Turbo	06.12-	88	A 14 NEL
Astra J Sports Tourer	1.4	10.10-	74	A 14 XER
	1.4 LPG	01.12-	103	A 14 NET
	1.4 Turbo	10.10-	88	A 14 NEL
	1.4 Turbo	10.10-	103	A 14 NET/B 14 NET
Cascada (W13)	1.4	03.13-	88	A 14 NEL
	1.4 Turbo	03.13-	103	A 14 NET
Corsa D	1.2	06.10-	51	A 12 XEL
	1.2	06.10-	63	A 12 XER
	1.2 LPG	06.11-	61	A 12 XER
	1.2 LPG	08.11-	63	A 12 XER
	1.4	09.09-	64	A 14 XEL
	1.4	06.10-	74	A 14 XER
	1.4	07.12-	88	A 14 NEL
	1.4 LPG	09.09-	64	A 14 XEL
	1.4	09.14-	51	B 12 XEL
Corsa E	1.4	09.14-	55	B 14 XEJ
	1.4	09.14-	66	B 14 XEL
	1.4 LPG	03.15-	66	B 14 XEL
	1.4 Turbo	09.14-	74	B 14 NEJ
	1.4 Turbo	03.15-	110	B 14 NEH
Corsa E Van	1.2	01.15-	51	B 12 XEL
Insignia	1.4	04.11-	103	A 14 NET
	1.4 LPG	07.12-	103	A 14 NET
Insignia Caravan	1.4	09.11-	103	A 14 NET
	1.4 LPG	07.12-	103	A 14 NET
Insignia Sedan	1.4	04.11-	103	A 14 NET
	1.4 LPG	07.12-	103	A 14 NET
Meriva B	1.4	06.10-	74	A 14 XER/B 14 XER
	1.4	06.10-	88	B 14 NEL/A 14 NEL
	1.4	06.10-	103	A 14 NET/B 14 NET
	1.4 LPG	06.11-	88	B 14 NEL/A 14 NEL
Mokka	1.4	04.13-	103	A 14 NET/B 14 NET
	1.4 4x4	06.12-	103	A 14 NET/B 14 NET
	1.4 LPG	04.13-	103	A 14 NET
Zafira Tourer C	1.4	10.11-	88	B 14 NEL/A 14 NEL
	1.4	10.11-	103	A 14 NET/B 14 NET
	1.4 LPG	10.11-	103	A 14 NET/B 14 NET

CL239

OEM-No.

 GM 12566569
 12583514
 12613057
 12629037


1 coil per cylinder

OPEL (VAUXHALL)

Signum	2.8 V6 Turbo	09.05-	169	Z 28 NEL
	2.8 V6 Turbo	01.06-	184	Z 28 NET
Vectra C	2.8 V6 Turbo	08.05-	169	Z 28 NEL
	2.8 V6 Turbo	08.06-	184	Z 28 NET
	2.8 V6 Turbo	08.05-	188	Z 28 NET
	2.8 V6 Turbo	08.05-	169	Z 28 NEL
Vectra C Caravan	2.8 V6 Turbo	08.05-	169	Z 28 NEL
	2.8 V6 Turbo	01.07-	184	Z 28 NET
	2.8 V6 Turbo	08.05-	188	Z 28 NET
	2.8 V6 Turbo	01.07-	206	Z 28 NET
Vectra C GTS	2.8 V6 Turbo	08.05-	169	Z 28 NEL
	2.8 V6 Turbo	08.06-	184	Z 28 NET
	2.8 V6 Turbo	08.05-	188	Z 28 NET
	2.8 V6 Turbo	08.06-	206	Z 28 NET

SAAB

9-3 (YS3F)	2.8 Turbo V6	03.05-	184	LP9
	2.8 Turbo V6	12.07-	188	B284L
	2.8 Turbo V6 XWD	05.08-	206	B284R
9-3 Cabriolet	2.8 Turbo V6	02.06-	184	LP9
	2.8 Turbo V6	12.07-	188	B284L
	2.8 Turbo V6	02.09-	203	B284R
	2.8 Turbo V6	02.09-	206	B284R
9-3 Combi (YS3F)	2.8 Turbo V6	03.05-	184	LP9
	2.8 Turbo V6	12.07-	188	B284L
	2.8 Turbo V6 XWD	05.08-	206	B284R

CL240

OEM-No.

 GM 55569253
 OPEL 1208109


1 coil per cylinder

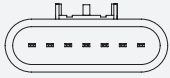
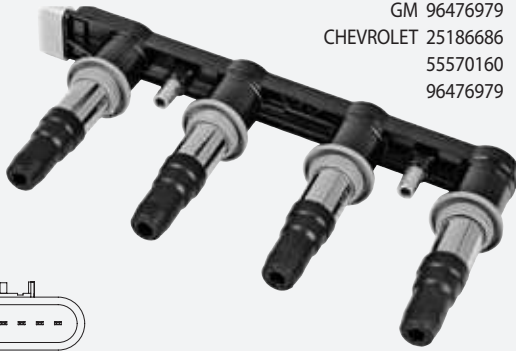
OPEL (VAUXHALL)

Astra GTC J	1.6 SIDI	12.12-	125	A 16 XHT
Astra J	1.6 SIDI	12.12-	125	A 16 XHT
Astra J Sedan	1.6 SIDI	12.12-	125	A 16 XHT
Astra J Sports Tourer	1.6 SIDI	12.12-	125	A 16 XHT
Cascada (W13)	1.6 SIDI	03.13-	125	A 16 XHT
Insignia	1.6 SIDI	03.13-	125	A 16 XHT
Insignia Caravan	1.6 SIDI	03.13-	125	A 16 XHT
Insignia Sedan	1.6 SIDI	03.13-	125	A 16 XHT
Zafira Tourer C	1.6 SIDI	12.12-	125	A 16 XHT

CL241

CL241

OEM-No.
GM 96476979
CHEVROLET 25186686
55570160
96476979

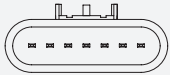


CHEVROLET

Cruze (J300)	1.8	05.09-	104	2H0/F18D4
Cruze CC (J305)	1.8	06.11-	104	F18D4
	1.8 LPG	06.11-	104	F18D4
Cruze Stat. Wagon	1.8	08.12-	104	2H0
Orlando (J309)	1.8	02.11-	104	2H0/F18D4

CL242

OEM-No.
GM 55573734
55577946
55579071
OPEL 1208091
1208094



OPEL (VAUXHALL)

Corsa D	1.0	01.10-	48	A 10 XEP
Corsa D Van	1.0	07.06-	44	A 10 XEP
	1.0	01.10-	48	A 10 XEP

CL243

OEM-No.
GM 12635672
OPEL 1208117



1 coil per cylinder

OPEL (VAUXHALL)

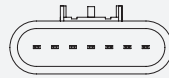
Adam	1.0	07.13-	50	
	1.0	07.14-	66	B 10 XFL
	1.0	07.14-	85	B 10 XFT
Astra K	1.0	06.15-	77	B 10 XFL
Corsa E	1.0	09.14-	66	B 10 XFL
	1.0	09.14-	85	B 10 XFT

ignition coils



CL244

OEM-No.
GM 25186687
55584404
OPEL 1208098

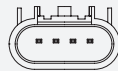


OPEL (VAUXHALL)

Astra J	1.6	12.09-	85	A16 XER/B16 XER
Astra J Sedan	1.6	06.12-	85	A16 XER/B16 XER
Astra J Sports Tourer	1.6	10.10-	85	A16 XER/B16 XER
Mokka	1.6	06.12-	85	A16 XER/B16 XER

CL245

OEM-No.
CADILLAC 12610626
CHEVROLET 12610626
GM 12632479
12618542
OPEL 1208087
SAAB 12632479
SUZUKI 33400-78J02



1 coil per cylinder

CADILLAC

CTS	3.0	01.08-	203	LF1	
	3.0 AWD	01.08-	203	LF1	
	3.6	01.10-	199	LLT	
	3.6	09.11-	237	LLT	
	3.6	01.08-	229	LLT	
	3.6 AWD	01.10-	199	LLT	
	3.6 AWD	09.11-	237	LLT	
	3.6 AWD	01.08-	229	LLT	
	CTS Coupe	3.0	01.10-	201	LF1
		3.0 AWD	01.10-	201	LF1
3.6		01.08-	229	LLT	
3.6		09.11-	237	LLT	
3.6 AWD		01.08-	229	LLT	
3.6 AWD		09.11-	237	LLT	
CTS Sport Wagon		3.0	01.08-	203	LF1
		3.0 AWD	01.08-	203	LF1
		3.6	01.08-	229	LLT
		3.6	09.11-	237	LLT
	3.6 AWD	01.08-	229	LLT	
	3.6 AWD	09.11-	237	LLT	
	SRX	3.0	01.09-	198	LF1
		3.0 AWD	01.09-	198	LF1
		3.0 AWD	01.09-	199	LF1
		3.6 AWD	10.12-	234	LFX
STS		3.6	10.09-	229	LLT
		3.6 AWD	10.09-	229	LLT

CHEVROLET

Camaro	3.6	01.11-	232	LLT
Camaro Convertible	3.6	01.11-	232	LLT
Captiva (C100, C140)	3.0 4WD	01.10-	190	A 30 XH/LF1
	3.2 4WD	06.06-	169	10 HM

OPEL (VAUXHALL)

Antara	3.0	11.10-	190	A 30 XH
	3.2 V6	03.07-	167	Z 32 SEE/10 HM
Insignia	2.8 V6 Turbo 4x4	07.08-	191	A 28 NET
	2.8 V6 Turbo OPC	07.09-	239	A 28 NER
Insignia Caravan	2.8 V6 Turbo 4x4	10.08-	191	A 28 NET

< CL245
OPEL (VAUXHALL)

Insignia Caravan	2.8 V6 Turbo OPC	07.09-	239	A 28 NER
Insignia Sedan	2.8 V6 Turbo 4x4	07.08-	191	A 28 NET
	2.8 V6 Turbo OPC	07.09-	239	A 28 NER

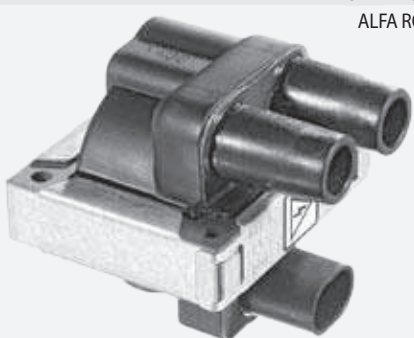
SAAB

9-5 (YS3G)	2.8 Turbo V6 XWD	05.10-01.12	221	A 28 NER
------------	------------------	-------------	-----	----------

SUZUKI

Grand Vitara II (JT)	3.2 Allrad	01.09-02.15	171	N32A
----------------------	------------	-------------	-----	------

CL300

DIN	OEM-No.	
	ALFA ROMEO	60805420
		60809492
	FIAT	46543562
		46548037
		46790073
		7626232
		7672018
		76262320

ALFA ROMEO

33 (907A)	1.4 i.e.	06.91-09.94	65	AR 30753
	1.4 i.e.	06.91-09.94	66	AR 30753
33 Sportwagon	1.4 i.e.	06.91-09.94	65	AR 30753
	1.4 i.e.	06.91-09.94	66	AR 30753
145 (930)	1.4 i.e.	07.94-12.96	66	AR 33501
146 (930)	1.4 i.e.	12.94-12.96	66	AR 33501
155 (167)	2.0 16V Turbo Q4	01.92-12.97	137	AR 67203
	2.0 16V Turbo Q4	01.92-12.97	140	AR 67203

FIAT

Cinquecento (170)	0.7	12.91-01.96	23	170 A.000	
	0.7 i	07.94-01.98	22	170 A.046	
	0.9	07.91-12.93	30	170 A1.000	
	0.9 i.e.	07.91-12.93	30	170 A1.046	
	0.9 i.e. S	07.91-07.99	29	1170 A1. _ _ _	
	1.1 Sporting	10.94-01.98	40	176 B2.000	
Coupe (FA/175)	2.0 16V Turbo	11.93-08.96	140	175 A1.000	
Doblo (119)	1.2	03.01-	48	223 A5.000	
Doblo Cargo (223)	1.2	03.01-	48	223 A5.000	
Palio (178BX)	1.0	04.96-	45		
	1.0	04.96-	56		
	1.2	06.98-	54	178 B5. /178 E2. _	
	1.2	07.97-08.02	44	188 A4.000	
	1.4	04.96-	51	178 B2.000	
	1.4 cat	04.96-	51	178 B2.016	
	1.5	04.96-	57		
	1.5	06.04-	62	178 E5.022	
	Palio Weekend	1.2	02.01-	44	178 C4. /188 A4. _
		1.2	04.96-02.01	54	178 B5.000
1.4		07.97-08.01	51	178 B2.000	
1.5		02.02-	62	178 E5.022	
Panda (141A_)	900	04.92-12.96	29	1170 A1.046	
	1000 4x4	05.86-12.94	33	141 C2. /156 A2. _	
	1000 i.e. cat	10.87-08.98	33	141 C2. /156 A2. _	
	1100	05.91-12.99	37	156 C.046	
	1100	02.95-09.03	40	187 A1. /176 B2. _	
	1100 4x4	02.95-07.04	40	176 B2.000	
	1100 Trekking 4x4	10.91-07.04	37	156 C.046	
	Panda (169)	1.1	09.03-	40	187 A1.000
		1.2	09.03-	44	188 A4.000
		1.2 4x4	10.04-	44	188 A4.000
1.2 LPG		04.09-	44	188 A4.000	
1.2 Natural Power		01.07-11.09	44	188 A4.000	
Panda Van (141_)	1000 i.e	08.92-02.04	33	156 A2.246	
Panda Van (169)	1.2	09.04-	44	188 A4.000	
	1.2 4x4	09.04-	44	188 A4.000	
	1.2 LPG	04.09-	44	188 A4.000	
	1.2 Natural Power	01.07-11.09	44	188 A4.000	

< CL300
FIAT

Punto (176)	55 1.1	09.93-09.99	40	176 A6. /176 B2. _
	60 1.2	01.94-09.99	43	176 A7.000
	60 1.2	03.94-09.99	44	176 B1. /176 B4. _
	75 1.2	10.93-09.99	54	176 A8.000
	1.2 16V	04.97-09.99	63	176 B9.000
Punto (188)	1.2 60	09.99-	44	188 A4.000
	1.2 Natural Power	09.03-	44	188 A4.000
Punto Cabriolet	60 1.2	04.94-06.00	43	176 A7.000
	60 1.2	05.95-06.00	44	176 B1. /176 B4. _
	85 1.2 16V	04.97-06.00	63	176 B9.000
Punto Van (176L)	1.1	04.96-02.00	40	176 B2.000
Punto Van (188AX)	1.2 60	02.00-10.09	44	188 A4.000
Seicento (187)	0.9	01.98-01.10	29	1170 A1.046
	1.1	01.98-01.10	40	187 A1. /176 B2. _
Seicento Van (187)	0.9	01.98-01.10	29	1170 A1.046
	1.1	01.98-01.10	40	176 B2.000
Siena (178_)	1.2	09.98-	54	178 B5.000
	1.4	04.96-	51	178 B2.000
	1.4 cat	04.96-	51	178 B2.016
	1.5	06.04-	62	178 E5.022
Strada Pick-up (178E)	1.2	04.03-	44	188 A4.000
	1.2	06.99-	54	178 B5.000
Tempra (159)	1.8 i.e.	09.93-08.96	66	835 C4.000
	1.8 i.e.	10.94-08.96	74	836 A5.000
	1.8 i.e.	09.93-08.96	76	835 C2.000
Tempra S.W.	1.8 i.e.	09.93-08.96	66	835 C4.000
	1.8 i.e.	10.94-08.96	74	836 A5.000
	1.8 i.e.	09.93-08.96	76	835 C2.000
Tipo (160)	1.8 i.e.	09.93-04.95	66	835 C4.000
	1.8 i.e.	03.93-04.95	71	836 A5.000
	1.8 i.e.	10.94-10.95	74	836 A5. /159 A4. _
	1.8 i.e.	04.93-04.95	76	835 C2.000

LANCIA

Dedra (835)	1.8 16V LE	03.96-07.99	83	182 A2.000
	1.8 i.e.	07.94-07.99	74	836 A5.000
Dedra SW	1.8 16V LE	03.96-07.99	83	182 A2.000
	1.8 i.e.	07.94-07.99	74	836 A5.000
Delta I (831AB0)	2.0 16V HF Integrale	06.93-01.94	155	831 E5. _
Delta II (836)	1.8 i.e.	07.94-08.99	66	835 C4. /836 _
	1.8 i.e.	12.94-08.99	76	835 C2.000
	1.8 i.e. 16V	03.96-08.99	83	182 A2.000
	1.8 i.e. 16V GT	03.96-08.99	96	183 A1.000
	2.0 16V Turbo	06.93-08.99	137	836 A2.000
Thema (834)	2.0 16V Turbo	07.96-08.99	142	175 A4.000
	2000 16V Turbo	12.88-06.90	133	834 C1.000
	2000 i.e. 16V	02.89-05.92	104	834 B2.246
	2000 i.e. 16V Turbo	04.89-05.92	130	834 C1.246
Thema SW (834)	2000 i.e. 16V	02.89-05.92	104	834 B2.246
	2000 i.e. 16V Turbo	04.89-03.93	130	834 C1.246
	2000 i.e. 16V Turbo	12.88-06.90	133	834 C1.000
	Y (840A)	1.1	11.95-09.03	40
Ypsilon (843)	1.2	03.96-09.03	44	840 A3. /188 A4. _
	1.2 16V	04.97-09.03	63	176 B9.000

CL301

	OEM-No.				
	FIAT	46777286			
		55180004			
	1 coil per cylinder				
	FIAT				
	Doblo (119)	1.6 16V	10.01-	76	182 B6.000
	Doblo Cargo (223)	1.6 16V	10.01-	76	182 B6.000
	Palio Weekend	1.6 16V	02.01-	76	182 B6.000

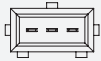
CL301

< CL301

FIAT				
Stilo (192)	1.6 16V	10.01-11.06	76	182 B6.000
Stilo Multi Wagon	1.6 16V	01.03-08.08	76	182 B6.000

CL302

PIN	OEM-No.
	ALFA ROMEO 60809606
	FIAT 7648797
	76487970
	LANCIA 60558152
	LANDROVER ERR 6045
	ERR6566
	PROTON PW811201
	PSA 5970.53



ALFA ROMEO

155 (167)	1.7 T.S.	04.93-04.96	83	AR 67103
	1.7 T.S.	04.93-04.96	85	AR 67105
	1.7 T.S. 16V	05.96-12.97	103	AR 67106
	1.8 T.S.	02.92-12.97	77	AR 67402
	1.8 T.S.	02.92-06.93	95	AR 67101
	1.8 T.S. Sport	01.92-12.96	93	AR 67101/ 67102
	2.0 T.S.	02.92-02.95	104	AR 67202
	2.0 T.S.	02.92-04.93	106	AR 67201
164 (164)	2.0 T.S.	09.92-09.98	106	AR 64103

CITROEN

Jumpy (U6U)	1.6	10.95-	58	220 A2_ /1580 SPI
Jumpy Van	1.6 i	10.95-	58	220 A2_ /1580 SPI

FIAT

Brava (182)	1.2 16V 80	10.00-10.01	59	188 A5.000
	1.2 16V 80	12.98-12.02	60	182 B2.000
	1.4	10.95-10.01	55	182 A5.000
	1.4 12 V	10.95-08.98	59	182 A3.000
Bravo I (182)	1.2 16V 80	10.00-10.01	59	188 A5.000
	1.2 16V 80	12.98-10.00	60	182 B2.000
	1.4	10.95-10.01	55	182 A5.000
Croma (154)	1.4	10.95-10.01	59	182 A3.000
	2000 16V	08.92-08.96	101	154 E1.000
Fiorino Pick-up	1.4	05.94-05.01	49	146 D5.000
Fiorino Van (146)	70 1.4 i.e.	11.96-05.01	49	146 C5_ /146 D5_
	75 1.6 i.e.	10.93-05.01	55	146 D6_ /146 C6_
Marea (185)	1.2 16V	10.98-05.02	60	182 B2.000
	1.4 80 12V	09.96-05.02	59	182 A3.000
Marea Weekend	1.2 16V	10.98-05.02	60	182 B2.000
	1.4 80 12V	09.96-05.02	59	182 A3.000
Punto (176)	1.4 GT Turbo	09.96-09.99	96	176 B6.000
	1.4 GT Turbo	01.94-09.96	98	176 A4.000
Punto (188)	1.2 16V 80	09.99-	59	188 A5.000
Scudo Combinato	1.6	02.96-12.06	58	220 A 2.000
Scudo Van (220L)	1.6	02.96-12.06	58	220 A 2.000
Tempra (159)	1.4 i.e.	03.95-08.96	51	836 A4.000
	1.6 i.e.	06.92-08.96	55	835 C1.000
	1.6 i.e.	06.94-08.96	66	159 B9.000
Tempra S.W. (159)	1.4 i.e.	10.92-08.96	51	836 A4.000
	1.6 i.e.	10.92-08.96	55	835 C1.000
	1.6 i.e.	10.90-08.96	57	835 C1.000
	1.6 i.e.	06.94-08.96	66	159 B9.000
Tipo (160)	1.4 i.e.	05.89-04.95	51	836 A4.000
	1.6 i.e.	10.92-04.95	55	835 C1.000

FSO

Polonez III	1.4 i 16V	09.92-03.02	76	Rover K16 DOHC
-------------	-----------	-------------	----	----------------

KIA

Sportage (K00)	2.0 i 16V	10.99-08.03	94	FE (16V)
	2.0 i 16V 4WD	04.94-08.03	94	FE (16V)

LANCIA

Dedra (835)	1.6 i.e.	04.93-07.99	55	835 C1.000
	1.6 LE cat	07.94-07.99	66	159 B9.000

ignition coils



< CL302

LANCIA				
Dedra SW (835)	1.6	10.94-07.99	66	159 B9.000
Delta II (836)	1.4 i.e.	10.94-08.99	51	836 A4.000
	1.6 i.e.	06.93-08.99	55	835 C1.000
Kappa (838A)	2.0 16V Turbo	02.95-10.01	151	838 A4.000
Kappa Coupe	2.0 16V Turbo	11.96-03.01	151	838 A4.000
Kappa SW (838B)	2.0 16V Turbo	07.96-10.01	151	838 A4.000
	2000 16V	08.92-12.93	112	834 F1.000
Thema (834)	2000 16V Turbo	10.92-07.94	148	834 F2.000
	2000 i.e.	09.87-05.92	85	834 B.146
Thema SW (834)	2000 16V	05.92-07.94	112	834 F1.000
	2000 Turbo 16V	11.92-07.94	148	834 F2.000
Y (840A)	1.2 16V	10.00-09.03	59	188 A5.000
	1.4 12V	03.96-09.03	55	840 A4.000
	1.4 12V	10.96-09.03	59	840 A2.000
Y10 (156)	1.1 Avenue	01.95-12.95	40	176 B2.000
	1.1 Avenue Allrad	01.95-12.95	40	176 B2.000
	1.1 i.e. Fire	10.92-09.95	37	156 C.046
	1.1 i.e. Fire Allrad	09.92-12.95	37	156 C.046

LANDROVER

Discovery II (LJ, LT)	4.0 V8 4x4	11.98-06.04	136	56 D
Range Rover II (LP)	3.9 4x4	07.94-03.02	140	42 D
	4.0 4x4	06.98-03.02	136	42 D
	4.6 4x4	06.98-03.02	160	60 D
	4.6 4x4	07.94-03.02	165	46 D
	4.6 4x4	09.96-03.02	168	46 D

PEUGEOT

Expert (224)	1.6	02.96-	58	222A2 (1580 SPI)
Expert Flatbed (223)	1.6	02.96-	58	222A2 (1580 SPI)
Expert Van (222)	1.6	02.96-	58	222A2 (1580 SPI)

PROTON

Gen 2 (CM_)	1.3	06.04-	70	S4PE
	1.6	06.04-	82	S4PH
Wira	1.3	08.00-	55	4 G 13
	1.5	08.00-	64	4 G 15
Wira Hatchback	1.3	08.00-	55	4 G 13
	1.5	08.00-	64	4 G 15 M

CL303

DIN	OEM-No.
	FIAT 7646975
	7753777
	07694335



FIAT

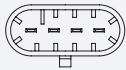
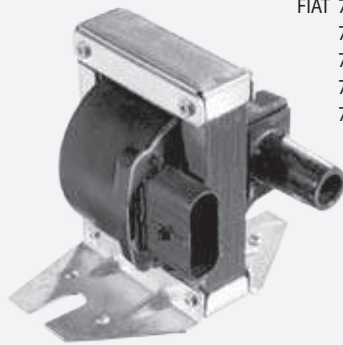
Croma (154)	2000 CHT	12.85-02.89	66	154 A1.000
	2000 i.e.	03.86-09.90	83	834 B.048
Regata (138)	75 1.5 i.e.	07.85-07.89	55	149 C1_ /138 C2_
Regata Weekend	75 1.5 i.e. cat	12.86-07.89	55	138 C2.048

LANCIA

Y10 (156)	1.3 i.e. Fire	02.89-12.95	53	156 B_ /146 A 5_
-----------	---------------	-------------	----	------------------

CL304

DIN	OEM-No.
	FIAT 7582152
	7663177
	7698431
	7746152
	7746154



FIAT

Panda (141A_)	1000	01.85-12.92	37	156 A3.000
	1000 4x4	01.86-12.92	37	156 A3.000
	1100	05.91-12.99	37	156 C.046
	1100 Trekking 4x4	10.91-07.04	37	156 C.046
Tempra (159)	1.4 i.e.	03.91-08.96	57	159 A2.000
Tempra S.W. (159)	1.4 i.e.	03.91-08.96	57	159 A2.000
Tipo (160)	1.1	01.88-10.91	41	160 A3.000
	1.4	07.87-12.89	52	160 A1.000
	1.4 i.e.	05.89-04.95	51	160 A1.046
	1.4 i.e.	05.89-04.95	57	159 A2.000
Uno (146A/E)	45 1.0	01.88-12.93	32	156 A2_
	45 1.0 i.e.	01.88-10.95	33	156 A2.246
	50 1.1	01.90-12.93	37	156 C.046
	50 1.1 i.e.	06.92-12.93	36	146 C3.000
	60 1.1	04.89-12.92	42	160 A3.000
	60 1.1	01.88-12.93	43	146 A4.048

LANCIA

Y10 (156)	1.0 Fire	06.85-06.91	32	156 A2.100
	1.0 Fire	03.85-06.89	33	156 A2.000
	1.0 Fire cat	10.87-02.92	33	156 A2.246
	1.0 Fire Allrad	12.86-02.89	32	156 A2.100
	1.1 i.e. Fire	07.89-09.92	37	156 C.046
	1.1 i.e. Fire Allrad	09.92-12.95	37	156 C.046

CL305

PIN	OEM-No.
	ALFA ROMEO 46469863



coil without COP boot
 spare boot CP036
 semidirect - 2 coils and ignition lead set T599C

ALFA ROMEO

145 (930)	1.4 i.e. 16V T.S.	12.96-01.01	76	AR 33503
	1.6 i.e. 16V T.S.	12.96-01.01	88	AR 67601
	1.8 i.e. 16V	03.98-01.01	106	AR 32201
	2.0 16V Quadrifoglio	03.98-01.01	114	AR 32301
	1.4 i.e. 16V T.S.	11.96-01.01	76	AR 33503
	1.6 i.e. 16V T.S.	11.96-01.01	88	AR 67601
	1.8 i.e. 16V T.S.	03.98-01.01	106	AR 32201
	2.0 16V Quadrifoglio	03.98-01.01	114	AR 32301
156 (932)	1.8 16V T.S.	09.97-10.00	106	AR 32201
	2.0 16V T.S.	09.97-10.00	114	AR 32301
166 (936)	2.0 T.S.	09.98-10.00	114	AR 34103
GTV (916C_)	1.8 16V	05.98-10.05	106	AR 32201
	2.0 T.S. 16V	06.95-10.05	110	AR 16201
	2.0 T.S. 16V	05.98-08.00	114	AR 32301

< CL305

ALFA ROMEO

Spider (916S_)	1.8 16V	05.98-04.05	106	AR 32201
	2.0 T.S. 16V	06.95-04.05	110	AR 16201
	2.0 T.S. 16V	05.98-08.00	114	AR 32301

CL306

PIN	OEM-No.
	ALFA ROMEO 7793212



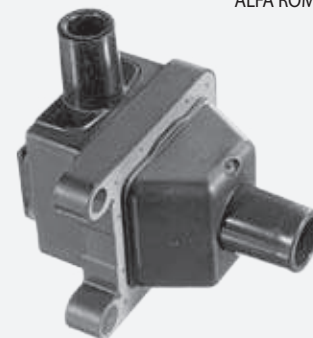
coil without COP boot
 spare boot CP036
 semidirect - 2 coils and ignition lead set T599C

ALFA ROMEO

145 (930)	1.4 i.e. 16V T.S.	12.96-01.01	76	AR 33503
	1.6 i.e. 16V T.S.	12.96-01.01	88	AR 67601
	1.8 i.e. 16V T.S.	12.96-12.98	103	AR 67106
	2.0 16V T.S.	10.95-01.01	110	AR 67204
146 (930)	1.4 i.e. 16V T.S.	11.96-01.01	76	AR 33503
	1.6 i.e. 16V T.S.	11.96-01.01	88	AR 67601
	1.8 i.e. 16V T.S.	11.96-01.01	103	AR 67106
	2.0 16V T.S.	10.95-01.01	110	AR 67204
155 (167)	1.6 16V T.S.	05.96-12.97	88	AR 67601
	1.7 T.S. 16V	05.96-12.97	103	AR 67106
	2.0 T.S. 16V	03.95-12.97	110	AR 67299/ 67204
156 (932)	1.6 16V T.S.	09.97-09.05	88	AR 32102/ 67601
156 Sportwagon	1.6 16V T.S.	05.00-05.06	88	AR 32103/ 32104
Spider (916S_)	2.0 T.S. 16V	06.95-04.05	110	AR 16201

CL307

PIN	OEM-No.
	ALFA ROMEO 46755605

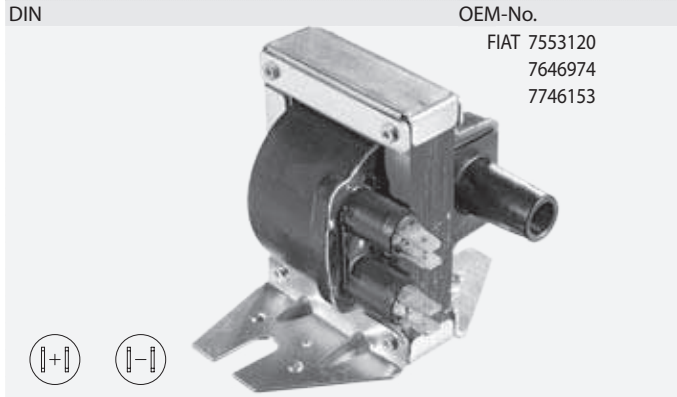


coil without COP boot
 spare boot CP036
 semidirect - 2 coils and ignition lead set T100C

ALFA ROMEO

147 (937)	1.6 16V T.S.	01.01-03.10	88	AR 32104
	1.6 16V T.S. Eco	01.01-03.10	77	AR 37203
	2.0 16V T.S.	01.01-03.10	110	AR 32310
156 (932)	1.6 16V T.S.	09.97-09.05	88	AR 32103/ 32104
	1.8 16V T.S.	10.00-09.05	103	AR 32205
	2.0 16V T.S.	10.00-03.02	110	AR 32310
156 Sportwagon	1.6 16V T.S.	05.00-05.06	88	AR 32103/ 32104
	1.8 16V T.S.	05.00-10.00	106	AR 32201
	1.8 16V T.S.	10.00-05.06	103	AR 32205
	2.0 16V T.S.	05.00-06.02	114	AR 32301
	2.0 16V T.S.	10.00-03.02	110	AR 32310
166 (936)	2.0 T.S.	10.00-06.07	110	AR 36301
GT (937)	1.8 TS	11.03-09.10	103	AR 32205
GTV (916C_)	2.0 T.S. 16V	06.95-10.05	110	AR 32310
Spider (916S_)	2.0 T.S. 16V	06.95-04.05	110	AR 32310

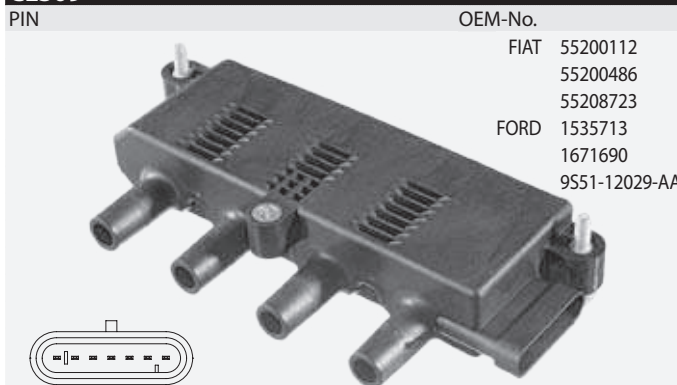
CL308



FIAT				
Duna (146 B)	60 1.1	01.87-12.91	43	146 A6.000
	70 1.3	01.87-12.91	49	146 A5.000
Duna Weekend	60 1.1	01.87-12.91	43	146 A6.000
	70 1.3	01.87-12.91	49	146 A5.000
Elba (146 _)	1.5	01.92-12.96	55	149 C1.000
Fiorino (127)	1050	01.80-12.87	37	127 A.000
Fiorino (147)	1.0	01.80-12.87	37	127 A.000
	1.3	12.87-08.93	49	146 A5.000
	1.5	01.88-08.93	55	149 C1.000
Fiorino Pick-up	1.3	01.88-12.94	49	146 A5.000
Fiorino Van (146)	60 1.1	05.88-12.93	40	146 A9.000
	70 1.3	01.88-12.94	49	146 A5.000
Panda (141A _)	750	01.86-01.95	25	156 A4.000
	750	01.86-01.95	25	141 B.000
	750 cat	01.95-10.03	25	156 A4.048
Panda Van (141 _)	750	01.86-07.92	25	141 B.000
Ritmo I (138A)	70 1.3	11.83-08.85	48	149 A3._/149 A7._
	75 1.5 i.e.	10.85-05.87	55	149 C1._/138 C2._
Ritmo II (138A)	75 1.5	09.85-12.88	55	138 A2.000
	75 1.5 cat	09.85-12.88	55	149 C1._/138 C2._
	Uno (146A/E)	45 1.0	06.86-12.87	32
Uno (146A/E)	45 1.0 i.e.	04.84-12.87	33	156 A2.246
	60 1.1	06.86-12.87	43	146 A4.048
	75 1.5 i.e.	01.89-12.89	55	138 C2.048

LANCIA				
Delta I (831AB0)	1.3	09.79-08.92	55	831 A2._/831 B._
	1.5	11.82-12.92	63	831 A1._/831 B1._
Y10 (156)	1.1 i.e	08.89-06.92	42	156 C.000
	1.1 i.e Allrad	08.89-06.92	42	156 C.000

CL309



ALFA ROMEO				
Mito (955)	1.4	05.11-	51	955 A9.000
FIAT				
500 (312)	1.2	10.07-	51	169 A4.000
	1.2 LPG	12.10-	51	169 A4.000
500 C (312)	1.2	09.09-	51	169 A4.000
Doblo (119)	1.4	10.05-	57	350 A1.000
Doblo Cargo (223)	1.4	10.05-	57	350 A1.000
Fiorino Van/Combi	1.4 Natural Power	10.09-	57	350 A1.000
Grande Punto (199)	1.2	10.05-	48	199 A4.000

< CL309

FIAT				
Grande Punto (199)	1.2	09.10-	51	169 A4.000
	1.4	06.06-	55	199 A7.000
	1.4	10.05-	57	350 A1.000
Idea	1.4	10.05-	57	350 A1.000
	1.4 LPG	03.09-	57	350 A1.000
Linea (323)	1.4	06.07-	57	350 A1.000
Panda (169)	1.2	03.10-	51	169 A4.000
	1.2 4x4	11.09-	51	169 A4.000
	1.2 LPG	11.10-	51	169 A4.000
	1.4 Natural Power	09.10-	57	350 A1.000
Panda (312)	1.2	02.12-	51	169 A4.000
	1.2 LPG	06.12-	51	169 A4.000
Panda Van (169)	1.4 Natural Power	10.09-	57	350 A1.000
Panda Van (312)	1.2	02.12-	51	169 A4.000
	1.2 LPG	06.12-	51	169 A4.000
Punto (199)	1.2	03.12-	51	169 A4.000
	1.4	03.12-	55	199 A7.000
	1.4	03.12-	57	350 A1.000
	1.4 BiFuel	03.12-	57	350 A1.000
Punto Evo (199)	1.4 Natural Power	03.12-	57	350 A1.000
	1.2	10.09-02.12	48	199 A4.000
	1.2	10.09-02.12	51	169 A4.000
	1.4	07.09-02.12	55	199 A7.000
Punto Evo (199)	1.4	10.09-02.12	57	350 A1.000
	1.4 LPG	06.09-02.12	57	350 A1.000
	1.4 Natural Power	10.09-02.12	57	350 A1.000
	1.4 Natural Power	10.09-	57	350 A1.000
Qubo (225)	1.4 Natural Power	10.09-	57	350 A1.000
FORD				
Ka (RU8)	1.2	10.08-	51	FP4
LANCIA				
Musa (350)	1.4	09.05-	57	350 A1.000
	1.4 LPG	11.10-	57	350 A1.000
Ypsilon (843)	1.2	08.10-12.11	51	169 A4.000
	1.4	02.06-12.11	57	350 A1.000
	1.4 LPG	11.10-12.11	57	350 A1.000
Ypsilon (312, 846)	1.2	05.11-	51	169 A4.000
	1.2 BiFuel	05.11-	49	169 A4.000
	1.2 BiFuel	05.11-	51	169 A4.000

CL310



1 coil per cylinder

ALFA ROMEO				
Mito (955)	1.4	03.11-	57	955 A1.000
	1.4	09.08-	58	955 A1.000
	1.4	09.08-	70	199 A6.000
FIAT				
500 (312)	0.9	12.13-	44	312 A4._/312 A6._
	0.9	09.12-	48	312 A4.000
	1.4	10.07-	74	169 A3.000
500 C (312)	0.9	09.12-	48	312 A4.000
	1.4	09.09-	74	169 A3.000
	1.4	09.11-	75	169 A3.000
500L	1.4	09.12-	70	843 A1.000
	1.4	04.07-	66	192 B2.000
Bravo II (198)	1.4 LPG	11.09-	66	192 B2.000
Doblo Flatbed (263)	1.4	04.10-	70	843 A1.000
Doblo MPV (152, 263)	1.4	02.10-	70	843 A1.000
Doblo Van/Combi	1.4	02.10-	70	843 A1.000

< CL310

FIAT			
Ducato Van (250)	3.0 Natural Power	04.09-	100 F1CFA_/F1CE_
Grande Punto (199)	1.4 16V	10.05-	70 199 A6.000
Idea	1.2 16V	01.04-	59 188 A5.000
	1.4	12.03-	66 192 B2.000
	1.4 16V	01.04-	70 843 A1.000
	1.4	10.06-	74 169 A3.000
Panda (169)	1.4	10.06-	74 169 A3.000
Panda (312)	0.9	12.13-	44 312 A4_/312 A6_
	0.9	02.12-	48 312 A4.000
Panda Van (312)	0.9	02.12-	48 312 A4.000
Punto (188)	1.4	09.03-	70 843 A1.000
	1.4	11.05-	71 199 A6.000
Stilo (192)	1.2 16V	02.02-11.06	59 188 A5.000
	1.4 16V	01.04-11.06	70 843 A1.000
	1.4 16V	03.05-11.06	66 192 B2.000
Stilo Multi Wagon	1.4 16V	01.04-08.08	70 843 A1.000
	1.4 16V	03.05-08.08	66 192 B2.000

LANCIA

Musa (350)	1.4	10.07-	66 192 B2.000
	1.4	10.04-	70 843 A 1.000
Ypsilon (843)	1.2	10.03-12.11	59 188 A5.000
	1.4 16V	10.03-12.11	70 843 A 1.000

CL311

OEM-No.

 FIAT 46777287
46776830


1 coil per cylinder

FIAT

Stilo (192)	2.4 20V	10.01-11.06	125 192 A2.000
-------------	---------	-------------	----------------

CL312

PIN		OEM-No.	
		FIAT 46446039	
		46472440	
		46480361	
		7789346	


FIAT

Brava (182)	1.6 16V	10.95-10.01	66 182 A6.000
	1.6 16V	02.96-10.01	76 182 A4.000
Bravo I (182)	1.6 16V	10.95-10.01	66 182 A6.000
	1.6 16V	03.96-10.01	76 182 A4.000
Doblo (119)	1.6 16V	10.01-	76 182 B6.000
	1.6 Natural Power	09.02-	76 182 B6.000
Doblo Cargo (223)	1.6 16V	10.01-	76 182 B6.000
	1.6 Natural Power	09.02-	76 182 B6.000
Marea (185)	1.6 16V	04.97-02.99	75 185 A3.000
	1.6 16V	09.96-05.02	76 182 A4.000
	1.6 16V Bipower	04.99-05.02	76 186 A4_/185 A3_
Marea Weekend	1.6 100 16V	09.96-05.02	76 182 A4.000
Multipla (186)	1.6	09.00-06.10	76 182 B6.000
	1.6 16V	04.02-06.10	70 182 B6.000
	1.6 100 16V	04.99-06.10	76 182 A4.000

< CL312

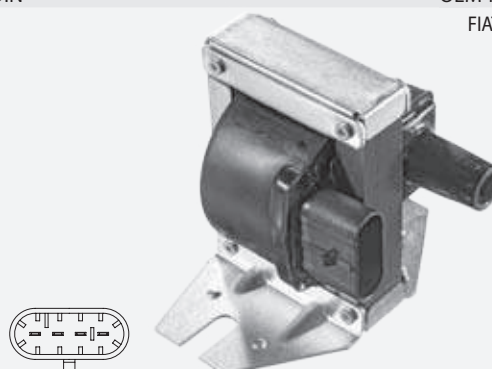
FIAT			
Multipla (186)	1.6 16V Bipower	04.99-06.10	76 186 A4.000
	1.6 16V Bipower	10.01-06.10	76 182 B6.000
	1.6 16V Blupower	04.99-06.10	70 186 A3.000
	1.6 16V GPL	10.01-06.10	76 182 B6.000
Palio (178BX)	1.6 16V	04.96-	74 178 B3.000
Palio Weekend	1.6 16V	04.96-02.01	74 178 B3.000
	1.6 16V	02.01-	76 182 B6.000
Siena (178_)	1.6 16V	09.98-	78 178 B3.000

LANCIA

Dedra (835)	1.6 16V	01.96-07.99	76 182 A4.000
Dedra SW (835)	1.6 16V	01.96-07.99	76 182 A4.000
Delta II (836)	1.6 i.e.	03.96-08.99	66 182 A6.000
	1.6 i.e. 16V	01.96-08.99	76 182 A4.000
Lybra (839AX)	1.6 16V	07.99-10.05	76 182 A4.000
Lybra SW (839BX)	1.6 16V	07.99-10.05	76 182 A4.000

CL313

DIN	OEM-No.
	FIAT 7746151


FIAT

Croma (154)	2000 CHT	07.88-02.89	66 154 A1.000
	2000 i.e.	10.87-08.96	85 154 C3_/834 B_
	2000 i.e.	03.87-09.92	88 834 B.000/154 C3_
	2000 i.e. Turbo	06.87-08.96	110 154 C4.046/834 C_
Fiorino Pick-up	1.6	01.94-05.01	55 146 D6.000/146 C6_
Fiorino Van (146)	70 1.4 i.e.	05.94-10.96	49 146 C5.000/146 D5_
	75 1.5 i.e.	05.88-12.93	55 149 C1.000
	75 1.6 i.e.	10.93-05.01	55 146 D6_/146 C6_
Regata (138)	75 1.5 i.e.	07.86-07.89	55 149 C1_/138 C2_
Tempra (159)	1.4 i.e.	03.92-02.95	51 160 A1.046
	1.6	03.90-04.93	63 159 A3.000
	1.6 i.e.	06.92-08.96	55 159 A3.048
	1.6 i.e.	06.90-07.92	57 159 A3.046
	1.4 i.e.	10.92-08.96	51 160 A1.046
Tempra S.W. (159)	1.6	12.90-04.93	63 159 A3.000
	1.6 i.e.	10.92-08.96	55 159 A3.048
	1.6 i.e.	10.90-08.96	57 159 A3.046
	1.4	07.87-12.89	52 160 A1.048
	1.4 i.e.	05.89-04.95	51 160 A1.046
Tipo (160)	1.6	01.88-10.91	61 160 A2.000
	1.6 i.e.	10.92-04.95	55 159 A3.048
	1.6 i.e.	07.90-01.93	57 159 A3.046
Uno (146A/E)	70 1.4 i.e.	09.89-12.93	51 160 A1.046
	70 1.4 i.e.	09.89-12.93	53 146 C1.000
	70 1.4 S	09.89-10.92	52 160 A1.048
	75 1.5 i.e.	10.85-12.93	55 149 C1.000

LANCIA

Dedra (835)	1.6 i.e.	08.89-03.93	57 835 A1.046
	1.6 i.e.	08.89-06.94	66 835 A1.000
Delta II (836)	1.4 i.e.	10.94-08.99	51 160 A1.046
Thema (834)	2000 i.e.	09.88-05.92	86 834 B1.000
	2000 i.e.	03.86-09.88	83 834 B.048
	2000 i.e.	09.87-05.92	85 834 B.146
	2000 i.e. Turbo	07.86-05.90	110 834 C.146
Thema SW (834)	2000 Turbo	01.89-03.92	110 834 C.146
Y10 (156)	1.3 i.e. Fire	09.92-12.95	53 156 B_/146 A5_

CL314

CL314

OEM-No.
FIAT 46460582



1 coil per cylinder

FIAT

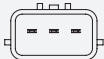
Barchetta (183)	1.8 16V	04.95-07.99	96	183 A1._/188 A6._
Brava (182)	1.8 GT 16V	10.95-06.98	83	182 A2.000
Bravo I (182)	1.8 GT	10.95-06.98	83	182 A2.000
Coupe (FA/175)	1.8 16V	03.96-05.98	96	183 A1.000
Marea (185)	1.8 115 16V	09.96-06.99	83	182 A2.000
Marea Weekend	1.8 115 16V	09.96-06.99	83	182 A2.000

LANCIA

Delta (835)	1.8 16V LE	03.96-07.99	83	182 A2.000
	1.8 GT 16V	03.96-07.99	96	183 A1.000
Delta SW (835)	1.8 16V LE	03.96-07.99	83	182 A2.000
	1.8 GT 16V	03.96-07.99	96	183 A1.000
Delta II (836)	1.8 i.e.	06.93-08.99	76	835 C2.000

CL315

OEM-No.
FIAT 46473849



1 coil per cylinder

FIAT

Barchetta (183)	1.8 16V	07.99-05.05	96	183 A1._/188 A6._
Brava (182)	1.8 GT 16V	06.98-10.01	83	182 A2.000
Bravo I (182)	1.8 GT	06.98-10.01	83	182 A2.000
Coupe (FA/175)	1.8 16V	06.98-08.00	96	183 A1.000
Marea (185)	1.8 115 16V	06.99-05.02	83	182 A2.000
Marea Weekend	1.8 115 16V	06.99-05.02	83	182 A2.000
Punto (188)	1.8 130 HGT	09.99-	96	183 A1._/188 A6._
Stilo (192)	1.6 16V	10.01-11.06	98	192 A4.000
Stilo Multi Wagon	1.8 16V	01.03-08.08	98	192 A4.000

LANCIA

Delta II (836)	1.8 i.e. 16V	03.96-08.99	83	182 A2.000
	1.8 i.e. 16V GT	03.96-08.99	96	183 A1.000
Lybra (839AX)	1.8 16V	07.99-10.05	96	839 A7._/839 A9._
Lybra SW (839BX)	1.8 16V	07.99-10.05	96	839 A7._/839 A4._

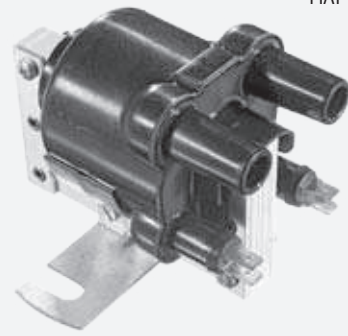
ignition coils



CL316

DIN

OEM-No.
FIAT 4439396

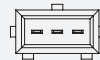


FIAT

126	650	07.77-09.87	17	126 A1._
	700	09.87-06.96	19	126 A2._
Panda (141A_)	650	01.82-07.04	22	141 A.000

CL317

OEM-No.
FIAT 46403328



1 coil per cylinder

FIAT

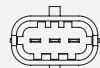
Bravo I (182)	2.0 HGT 20V	10.95-07.98	108	182 A1.000
Coupe (FA/175)	2.0 20V	08.96-04.98	108	182 A1.000
	2.0 20V Turbo	08.96-08.00	162	175 A3.000
Marea (185)	2.0 150 20V	09.96-04.99	108	182 A1.000
Marea Weekend	2.0 150 20V	09.96-04.99	108	182 A1.000

LANCIA

Kappa (838A)	2.0 20V	10.94-10.01	107	838 A1.000
	2.0 20V	07.96-10.01	114	838 A6.000
	2.0 20V Turbo	06.98-10.01	162	175 A3.000
	2.4 20V	08.94-10.01	129	838 A2._
Kappa Coupe	2.0 20V	07.96-03.01	114	838 A6.000
	2.0 20V Turbo	06.98-03.01	162	175 A3.000
	2.4 20V	11.96-03.01	129	838 A2.000
Kappa SW (838B)	2.0 20V	07.96-10.01	114	838 A6.000
	2.0 20V Turbo	06.98-10.01	162	175 A3.000
	2.4 20V	07.96-10.01	129	838 A2.000

CL318

OEM-No.
ALFA ROMEO 46467542
FIAT 46467542
LANCIA 46467542



1 coil per cylinder

FIAT

Bravo I (182)	2.0 HGT 20V	07.98-10.01	113	182 B7.000
---------------	-------------	-------------	-----	------------

< CL318
FIAT

Coupe (FA/175)	2.0 20V	04.98-08.00	113	182 B3.000
Marea (185)	2.0 150 20V	01.01-05.02	110	185 A8.000
	2.0 155 20V	04.99-01.01	113	182 B7.000
Marea Weekend	2.0 150 20V	01.01-05.02	110	185 A8.000
	2.0 155 20V	04.99-02.03	113	182 B7.000

LANCIA

Kappa (838A)	2.0 20V	07.96-10.01	114	838 A6.000
	2.4 20V	08.94-10.01	129	838 A2._
Kappa SW (838B)	2.0 20V	07.96-10.01	114	838 A6.000
	2.4 20V	07.96-10.01	129	838 A2.000
Lybra (839AX)	2.0 20V	07.99-09.00	113	182 B7.000
	2.0 20V	09.00-10.05	110	185 A8.000
Lybra SW (839BX)	2.0 20V	07.99-09.00	113	182 B7.000
	2.0 20V	09.00-10.05	110	185 A8.000
Thesis (841AX)	2.0 Turbo	07.02-07.09	136	841 E.000
	2.4	07.02-07.09	125	841 D.000

CL319

PIN

OEM-No.

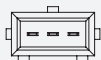
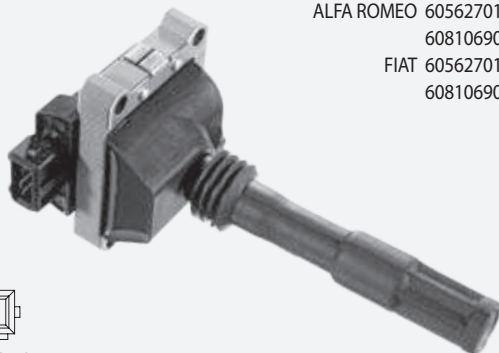
 ALFA ROMEO 60586072
 FIAT 60586072

ALFA ROMEO

145 (930)	1.6 i.e.	10.94-12.96	76	AR 33201
	1.7 i.e. 16V	10.94-12.96	95	AR 33401
146 (930)	1.6 i.e.	12.94-12.96	76	AR 33201
	1.7 i.e. 16V	12.94-12.96	95	AR 33401

CL320

OEM-No.

 ALFA ROMEO 60562701
 60810690
 FIAT 60562701
 60810690


1 coil per cylinder

ALFA ROMEO

147 (937)	3.2 GTA	02.03-03.10	184	932 A.000
156 (932)	2.5 V6 24V	09.97-12.01	140	AR 32401/ 32402
	2.5 V6 24V	10.00-09.05	141	AR 32405
	3.2 GTA	03.02-09.05	184	932 A.000
156 Sportwagon	2.5 V6 24V	05.00-08.03	140	AR 32401
	2.5 V6 24V	10.00-05.06	141	AR 32405
	3.2 GTA	03.02-05.06	184	932 A.000
	3.0	04.93-02.95	168	AR 64304
164 (164)	3.0 24V	09.92-09.98	155	AR 66301/ 66302
	3.0 24V Q4	02.94-09.98	170	AR 64308/ 64307
	3.0 24V QV	09.92-09.98	171	AR 64304
	3.0 24V QV Allrad	11.92-10.97	171	AR 64307/ 64304
	166 (936)	3.0 V6 24V	09.98-10.00	140
3.0 V6 24V		09.98-10.00	166	AR 34301/ 34302
3.0 V6 24V		10.00-06.07	138	AR 36201

< CL320
ALFA ROMEO

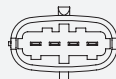
166 (936)	3.0 V6 24V	10.00-06.07	162	AR 36101
	3.2 V6 24V	10.03-06.07	176	936 A.000
GT (937)	3.2 GTA	11.03-09.10	176	936 A.000
GTV (916C_)	3.0 V6 24V	10.96-10.00	162	AR 16102
	3.0 V6 24V	10.00-10.05	160	AR 16105
	3.2 V6 24V	04.03-10.05	176	936 A6.000
Spider (916S_)	3.0 V6	09.94-08.00	160	AR 16105
	3.2 V6	04.03-04.05	176	936 A6.000

LANCIA

Kappa (838A)	3.0 24V	08.94-10.01	150	838 B.000
Kappa Coupe	3.0 24V	11.96-03.01	150	838 B.000
Kappa SW (838B)	3.0 24V	07.96-10.01	150	838 B.000
Thesis (841AX)	3.0 V6	07.02-07.09	158	841 A.000
	3.2 V6	05.03-07.09	169	841 L.000

CL321

OEM-No.

 ALFA ROMEO 46794782
 FIAT 46794782


1 coil per cylinder

ALFA ROMEO

156 (932)	2.0 JTS	03.02-09.05	122	937 A1.000
156 Sportwagon	2.0 JTS	03.02-05.06	122	937 A1.000
159 (939)	1.9 JTS	09.05-11.11	118	939 A6.000
159 Sportwagon	1.9 JTS	03.06-11.11	118	939 A6.000
GT (937)	2.0 JTS	12.06-09.10	119	932 A2.000
	2.0 JTS	11.03-09.10	121	932 A2._/937 A1._
GTV (916C_)	2.0 JTS	04.03-10.05	121	937 A1.000
Spider (916S_)	2.0 JTS	04.03-04.05	121	937 A1.000

CL323

OEM-No.

 FIAT 55209603
 55213613


1 coil per cylinder

ALFA ROMEO

Giulietta (940)	1.4 TB	04.10-	88	940 B7._/198 A4._
	1.4 TB	09.14-	110	940 A2.000
Mito (955)	1.4 BiFuel	07.11-	88	198 A4.000
	1.4 TJet	09.08-	88	198 A4.000
	1.4 TJet	09.08-	114	199 A8.000

FIAT

500 (312)	1.4 Abarth	08.08-	99	312 A1.000
Bravo II (198)	1.4 16V	03.08-	103	198 A7.000
	1.4 T-Jet	09.07-	88	198 A4.000

CL323


CL323

< CL323

FIAT				
Bravo II (198)	1.4 T-Jet	09.07-	110	198 A1.000
Grande Punto (199)	1.4 Abarth	12.07-	114	199 A8.000
	1.4 Abarth	12.07-	132	199 A8_ /955 A8_
	1.4 T-Jet	09.07-	88	198 A4.000
Linea (323)	1.4 T-Jet	09.07-	88	198 A4.000
	1.4 T-Jet	09.07-	88	198 A4.000
LANCIA				
Delta III (844)	1.4	09.08-	88	198 A4.000
	1.8	01.09-	147	939 B1.000

CL324



OEM-No.
ALFA ROMEO 55212624
FIAT 55212624

1 coil per cylinder

ALFA ROMEO				
Mito (955)	1.4 MultiAir	08.10-	77	955 A6.000
FIAT				
500 (312)	1.4 Abarth	08.08-	132	312 A3.000
	1.4 Abarth	08.08-	139	312 A1.000
	1.4 Abarth	08.08-	118	312 A1.000
Punto Evo (199)	1.4 16V	10.09-02.12	77	955 A6.000

CL325



OEM-No.
FIAT 55231256
55234131

1 coil per cylinder

ALFA ROMEO				
Mito (955)	0.9 TwinAir	07.11-	63	312 A2.000
FIAT				
500 (312)	0.9	07.10-	63	312 A2.000
500 C (312)	0.9	09.09-	63	312 A2.000
500L	0.9 Natural Power	03.13-	63	312 A2.000
Panda (312)	0.9	02.12-	57	312 A7_ /312 A2_
	0.9	02.12-	63	312 A2.000
	0.9 4x4	09.12-	63	312 A2.000
	0.9 Natural Power	07.12-	63	312 A2.000
	0.9 Natural Power	07.12-	63	312 A2.000
Punto (199)	0.9 BiFuel	03.12-	63	312 A2.000
	0.9 TwinAir Turbo	03.12-	63	312 A2.000
LANCIA				
Ypsilon (312, 846)	0.9 CNG	05.11-	63	312 A2.000
	0.9 Twinair	05.11-	63	312 A2.000

ignition coils



CL326



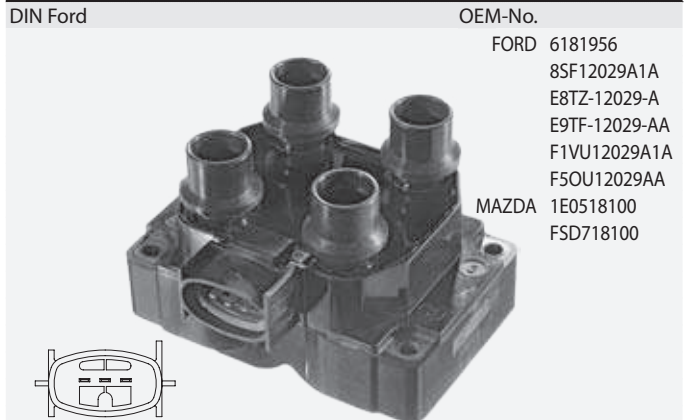
OEM-No.
FIAT 55229959

1 coil per cylinder

ALFA ROMEO				
Giulietta (940)	1.4 TB	04.10-	120	955 A8.000
	1.4 TB	04.10-	125	940 A2.000
Mito (955)	1.4 TJet	09.08-	110	198 A1.000
	1.4 Turbo MultiAir	10.09-	99	955 A2_ /955 A7_
	1.4 Turbo MultiAir	10.09-	120	955 A8.000
	1.4 Turbo MultiAir	10.09-	125	940 A2.000
FIAT				
500X	1.4	09.14-	103	55263624
	1.4	09.14-	100	55263624
	1.4 4x4	02.15-	120	55263623
	1.4 4x4	02.15-	125	55263623
Punto (199)	1.4 Turbo MultiAir	03.12-	99	955 A2.000
Punto Evo (199)	1.4 16V	10.09-02.12	99	955 A2.000
	1.4 Abarth	10.09-	120	955 A8.000

LANCIA				
Delta III (844)	1.4 16V	07.10-	103	198 A7.000

CL400



OEM-No.
FORD 6181956
8SF12029A1A
E8TZ-12029-A
E9TF-12029-AA
F1VU12029A1A
F5OU12029AA
MAZDA 1E0518100
FSD718100

FORD				
Escort '86 Express	1.3	02.86-07.90	44	JLA/JBB/JLB
	1.3	07.88-07.90	46	JBA
Escort '91 Express	1.3	07.90-12.94	46	JBD
	1.4	07.90-12.94	52	F6F/F6G
Escort '95 Express	1.4	01.95-	54	F4B
Escort Classic	1.6 16V	10.98-07.00	66	L1E
Escort Classic Turnier	1.6 16V	02.99-07.00	66	L1E
Escort IV	1.3	07.88-10.90	46	JBA
	1.6 i	08.89-07.90	75	LJB
	1.6 XR3i	01.86-08.89	77	LRB/LR2
Escort IV Cabriolet	1.6 i	08.89-07.90	75	LJB
Escort IV Combi	1.3	01.86-07.90	44	JLA/JBB/JLB
Escort V	1.4	07.90-09.92	52	F6F/F6G
	1.6	07.90-12.92	77	LJF
	1.8 16V XR3i	02.92-12.92	77	RDA
	1.8 16V XR3i	02.92-12.92	96	RQB
	1.8 16V XR3i	02.92-12.92	77	RDA
Escort V Cabriolet	1.4	07.90-12.92	52	F6F/F6G
	1.6	07.90-12.92	77	LJF
	1.8 16V XR3i	02.92-12.92	77	RDA

< CL400
FORD

Escort V Cabriolet	1.8 16V XR3i	02.92-12.92	96	RQB
Escort V Combi	1.4	07.90-09.92	52	F6F/F6G
	1.6	07.90-09.92	77	LJF
	1.8 16V	02.92-12.92	77	RDA
Escort VI	1.3	09.92-01.95	44	J6A/J4B
	1.4	09.92-01.95	52	F6F/F6G
	1.4	01.94-01.95	55	F4B/FUH
	1.6 i 16V	01.94-01.95	65	L1H
	1.6 i 16V	09.92-01.95	66	L1E
	1.8 i 16V	09.92-01.95	77	RDA
	1.8 XR3i 16V	09.92-01.95	96	RQB
	1.8 XR3i 16V 4x4	08.93-01.95	77	RDA
	1.8 XR3i 16V 4x4	08.93-01.95	96	RQB
Escort VI Cabriolet	1.4	12.92-04.94	52	F6F/F6G
	1.4 i	07.93-01.95	55	F4B
	1.6 16V XR3i	12.92-01.95	66	L1E
	1.6 i 16V	02.94-01.95	65	L1H
	1.8 16V XR3i	12.92-01.95	77	RDA
	1.8 16V XR3i	12.92-01.95	96	RQB
Escort VI Combi	1.3	09.92-01.95	44	J6A/J4B
	1.4	09.92-01.95	52	F6F/F6G
	1.4	01.94-01.95	55	F4B/FUH
	1.6 i 16V	01.94-01.95	65	L1H
	1.6 i 16V	09.92-01.95	66	L1E
	1.8 i 16V	01.93-01.95	77	RDA
	1.8 i 16V	02.93-01.95	96	RQB
Escort VI Sedan	1.3	08.93-01.95	44	J6A/J4B
	1.4	08.93-04.94	52	F6F/F6G
	1.4	08.93-01.95	55	F4B/FUH
	1.6 i 16V	01.94-01.95	65	L1H
	1.6 i 16V	08.93-01.95	66	L1E/L1K
Escort VII	1.3	01.95-08.98	44	J6A/J4B
	1.4	01.95-10.98	55	F4B
	1.6 16V	01.95-10.98	66	L1E
	1.6 16V 4x4	01.95-10.98	66	L1E
	1.6 i 16V	01.95-08.95	65	L1H
	1.8 16V	01.95-08.95	77	RDA
	1.8 16V	01.95-10.98	85	RKC
Escort VII Cabriolet	1.4	02.95-08.98	55	F4B
	1.6 16V XR3i	02.95-12.96	65	L1H
	1.6 16V XR3i	02.95-09.99	66	L1E
	1.8 16V XR3i	02.95-08.98	77	RDA
	1.8 16V XR3i	10.95-08.98	85	RKC
	1.8 16V XR3i	02.95-08.00	96	RQB
Escort VII Combi	1.3	01.95-08.98	44	J6A/J4B
	1.4	01.95-02.99	55	F4B/FUH
	1.6 16V	01.95-02.99	66	L1E
	1.6 i 16V	01.95-08.95	65	L1H
	1.8 16V	01.95-08.95	77	RDA
	1.8 16V	01.95-02.99	85	RKC
Escort VII Sedan	1.3	01.95-08.98	44	J6A/J4B
	1.4	01.95-02.99	55	F4B/FUH
	1.6 i 16V	01.95-08.95	65	L1H
	1.6 i 16V	01.95-02.99	66	L1E/L1K
	1.8 16V	01.95-08.95	77	RDA
	1.8 16V	01.95-02.99	85	RKC
	1.8 16V	01.95-02.99	96	RQB
Fiesta III (GFJ)	1.0	03.89-12.95	33	TLB
	1.1	03.89-12.95	37	G6A
	1.1	03.89-12.95	40	GUD/GUE
	1.3	03.89-12.92	44	JBC
	1.3	03.89-12.95	44	
	1.3 cat	05.91-01.97	44	J6B
	1.4	03.89-12.95	52	F6E
	1.4	03.89-12.95	54	FUG/FUJ
	1.4 cat	03.89-12.95	54	F4A
	1.6	01.89-01.94	65	LUH
	1.6 i 16V	01.94-12.95	65	L1G
	1.6 Turbo	03.90-10.92	96	LHA
	1.6 XR2i	03.89-03.93	76	LJD
	1.6 XR2i	03.89-01.94	81	LJC

< CL400
FORD

Fiesta III (GFJ)	1.8 16V	02.92-12.95	77	RDB
	1.8 XR2i 16V	02.92-12.95	96	RQC
Fiesta IV (JA_, JB_)	1.0 i	02.97-09.98	38	ZH10JRB
	1.25 i 16V	08.95-04.98	55	DHG/_B/_C/_E/_F/_A
	1.3 i	08.95-08.98	37	JJA/_E/_M/_C/_J/_K
	1.3 i	08.95-08.98	44	J4R/_C/_L/_J/_Q/_T
	1.4 i 16V	04.96-04.98	66	FHE/FHA
Fiesta Van (F_L)	1.3	09.91-02.96	44	J6B
Fiesta Van (J5_, J3_)	1.3	02.96-08.98	44	J4C
	1.4 i	04.96-10.99	66	FHA
Ka (RB_)	1.3 i	06.98-09.98	36	JJH/JJD/JJF/JJG/JJL
	1.3 i	09.96-08.98	44	J4S/_K/_M/_P/_N/_D
Mondeo I (GBP)	1.6 i 16V	07.94-08.96	65	L1J
	1.6 i 16V	02.93-08.96	66	L1F
	1.8 i 16V	07.94-08.96	82	RKB
	1.8 i 16V	02.93-08.96	85	RKA
	1.8 i 16V 4x4	02.93-08.96	85	RKA
	2.0 i 16V	12.94-08.96	97	NGA
	2.0 i 16V	02.93-08.96	100	NGA
	2.0 i 16V 4x4	12.94-08.96	97	NGA
	2.0 i 16V 4x4	04.93-08.96	100	NGA
	2.0 i 16V 4x4	04.93-08.96	100	NGA
Mondeo I Combi	1.6 i 16V	07.94-08.96	65	L1J
	1.6 i 16V	04.93-08.96	66	L1F
	1.8 i 16V	07.94-08.96	82	RKB
	1.8 i 16V	04.93-08.96	85	RKA
	1.8 i 16V 4x4	04.93-08.96	85	RKA
	2.0 i 16V	01.93-08.96	97	NGA
	2.0 i 16V	04.93-08.96	100	NGA
	2.0 i 16V 4x4	12.94-08.96	97	NGA
	2.0 i 16V 4x4	04.93-08.96	100	NGA
	2.0 i 16V 4x4	04.93-08.96	100	NGA
Mondeo I Sedan	1.6 i 16V	07.94-08.96	65	L1J
	1.6 i 16V	02.93-08.96	66	L1F
	1.8 4x4	02.93-08.96	85	RKA
	1.8 i 16V	01.94-08.96	82	RKB
	1.8 i 16V	02.93-08.96	85	RKA
	2.0 i 16V	02.93-08.96	100	NGA
Mondeo II (BAP)	1.6 i	08.96-08.98	66	L1J
	1.8 i	08.96-08.98	85	RKK/_J/_B/_F/_H
	2.0 i	08.96-08.98	96	NGA/_B/_D/_C
	2.0 i	08.96-08.98	96	NGA/_B/_D/_C
Mondeo II Combi	1.6 i	08.96-08.98	66	L1J
	1.8 i	08.96-08.98	85	RKK/_J/_B/_F/_H
	2.0 i	08.96-08.98	96	NGA/_B/_D/_C
Mondeo II Sedan	1.6 i	08.96-08.98	66	L1J
	1.8 i	08.96-08.98	85	RKK/_J/_B/_F/_H
	2.0 i	08.96-08.98	96	NGA/_B/_D/_C
Orion II (AFF)	1.6	12.85-07.90	66	LUC
	1.6 i	08.89-07.90	75	LJB
Orion III (GAL)	1.3	07.90-12.93	44	J6A/J4B
	1.4	07.90-12.93	52	F6F/F6G
	1.4	07.90-12.93	54	FUH
	1.6	07.90-12.92	66	LUJ/LUK
	1.6 i	07.90-09.92	77	LJF
Puma (EC_)	1.6 i 16V	07.92-12.93	66	L1E/L1K
	1.8 i 16V	02.92-12.93	77	RDA
	1.8 i 16V	01.92-12.93	96	RQB
	1.4 16V	11.97-04.98	66	FHD
Sierra	1.7 16V	03.97-04.98	92	MHB/MHA
	1.7 ST 160	06.99-04.00	118	
Sierra	1.8	05.88-02.93	64	R2C/R6A
Sierra CC	1.8	05.88-02.93	64	R2C/R6A
Sierra Combi	1.8	05.88-02.93	64	R2C/R6A
MAZDA				
121 III (JASM, JBSM)	1.25	03.96-04.03	55	DHG/DHF
	1.3	03.96-04.03	37	JJM/JJK
	1.3	03.96-04.03	44	J4R/J4T
626 V (GF)	1.8	05.97-12.99	66	FPY3
	1.8	12.99-10.02	74	FP9A
	2.0	05.97-10.02	85	FS
	2.0	04.98-10.02	100	FS2C
626 V Hatchback (GF)	1.8	05.97-12.99	66	FPY3

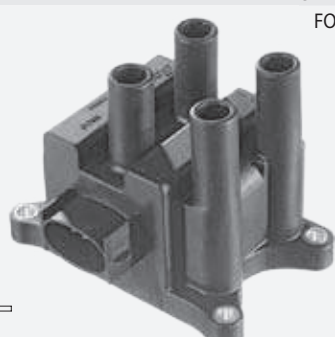

CL400

< CL400

MAZDA

626 V Hatchback (GF)	1.8	12.99-10.02	74	FP
	2.0	05.97-10.02	85	FS
	2.0 H.P.	02.98-10.02	100	FS2C
626 V Station Wagon	1.8	02.98-01.00	66	FPY3
	1.8	01.00-10.02	74	FP9A
	2.0	02.98-10.02	85	FS
	2.0 H.P.	02.98-10.02	100	FS2C

CL401

PIN	OEM-No.	
	FORD 1075786	
	1130402	
	1317972	
	988F 12029 A	
	988F1209AB	
	988F1209AC	
	157G12029AC	
	YM2F12029AB	
		
	„old design“ (CL409-new design)	

FORD

Cougar (EC_)	2.0 16V	08.98-12.01	96	EDBB/_C/_D/_BA
Escort VII	1.3	09.98-10.98	44	J4B
Escort VII Combi	1.3	09.98-01.99	44	J4B
Escort VII Sedan	1.3	09.98-02.99	44	J4B
Fiesta IV (JA_, JB_)	1.0 i	09.98-09.99	38	ZH10JRB
	1.25 i 16V	05.98-01.02	55	DHG/_B/_C/_E/_F/_A
	1.3 i	09.98-01.02	37	JJA/_E/_M/_C/_J/_K
	1.3 i	09.98-01.02	44	J4R/_C/_L/_J/_Q/_T
	1.4 i 16V	05.98-01.02	66	FHE/FHA
	1.6 16V Sport	02.00-01.02	76	L1V/L1T
	Fiesta V (JH_, JD_)	1.3	11.01-06.08	44
1.3		11.01-06.08	51	A9JA/A9JB
1.4 16V		11.01-01.05	59	FXJB/FXJA
Fiesta V Van	1.6 16V	11.01-01.05	74	FYJA/FYJB
	1.3	10.03-07.05	51	A9JA/A9JB
Fiesta Van (J5_, J3_)	1.3	09.98-	44	J4C
Focus (DAW, DBW)	1.4 16V	10.98-11.04	55	FXDA/_D/_C/_B
	1.6 16V	10.98-11.04	74	FYDH/_A/_B/_D/_C
	1.8 16V	10.98-11.04	85	EYDD/_C/_E/_L/_F/_G
	2.0 16V	10.98-11.04	96	EDDC/_B/_D/_F
	2.0 RS	10.02-11.04	158	HMDA
	2.0 ST170	03.02-11.04	127	ALDA
	Focus Combi (DNW)	1.4 16V	02.99-11.04	55
1.6 16V		02.99-11.04	74	FYDH/_A/_B/_D/_C
1.8 16V		02.99-11.04	85	EYDD/_C/_E/_L/_F/_G
2.0 16V		02.99-11.04	96	EDDC/_B/_D/_F
2.0 ST170		08.02-11.04	127	ALDA
Focus Sedan (DFW)	1.4 16V	02.99-11.04	55	FXDA/_D/_C/_B
	1.6 16V	02.99-11.04	74	FYDH/_A/_B/_D/_C
	1.8 16V	02.99-11.04	85	EYDD/_C/_E/_L/_F/_G
	2.0 16V	02.99-11.04	96	EDDC/_B/_D/_F
Fusion (JU_)	1.4	08.02-01.05	59	FXJC/FXJB/FXJA
	1.6	08.02-01.05	74	FYJC/FYJA/FYJB
Galaxy (WGR)	2.3 16V	09.01-05.06	103	E5SB
	2.3 16V	04.00-05.06	107	E5SA
Ka (RB_)	1.0 i	07.97-09.99	38	ZH10JRB
	1.0 i	09.99-11.08	48	
	1.3 i	09.98-11.08	36	JJH/_D/_F/_G/_L
	1.3 i	09.98-10.02	37	JJB
	1.3 i	09.96-11.08	44	J4S/_K/_M/_P/_N/_D
	1.3 i	08.02-11.08	51	A9B/A9A
	1.6 i	07.03-11.08	70	CDC/CDB
	1.6 i	02.01-	91	YF
Maverick	2.0 16V	02.01-	91	YF
Mondeo II (BAP)	1.6 i	09.98-09.00	66	L1J
	1.6 i 16V	05.98-09.00	70	L1N/L1L/L1Q
	1.8 i	09.98-09.00	85	RKK/_J/_B/_F/_H

ignition coils



< CL401

FORD

Mondeo II (BAP)	2.0 i	09.98-09.00	96	NGA/_B/_D/_C
Mondeo II Combi	1.6 i	09.98-09.00	66	L1J
	1.6 i 16V	05.98-09.00	70	L1N/L1L/L1Q
	1.8 i	09.98-09.00	85	RKK/_J/_B/_F/_H
	2.0 i	09.98-09.00	96	NGA/_B/_D/_C
Mondeo II Sedan	1.6 i	09.98-09.00	66	L1J
	1.6 i 16V	05.98-09.00	70	L1N/L1L/L1Q
	1.8 i	09.98-09.00	85	RKK/_J/_B/_F/_H
	2.0 i	09.98-09.00	96	NGA/_B/_D/_C
Puma (EC_)	1.4 16V	05.98-10.00	66	FHD/FHF
	1.6 16V	08.00-06.02	76	L1W
	1.7 16V	05.98-06.02	92	MHB/MHA
	1.7 ST 160	05.00-06.02	118	
Street Ka (RL2)	1.6	05.03-07.05	70	CDRA/CDRB
Tourneo Connect	1.8 16V	06.02-12.13	85	EYPC/_A/_D
Transit Connect	1.8 16V	06.02-12.13	85	EYPC/_A/_D
MAZDA				
121 III (JASM, JBSM)	1.25	03.96-04.03	55	DHG/_DHF
	1.3	03.96-04.03	37	JJM/_JJK
	1.3	03.96-04.03	44	J4R/_J4T
2 (DY)	1.25	04.03-02.05	55	FUJA
	1.4	04.03-02.05	59	FXJA
	1.6	04.03-02.05	74	FYJA
Tribute (EP)	2.0	03.00-05.08	91	YF
	2.0 4WD	03.00-05.08	91	YF

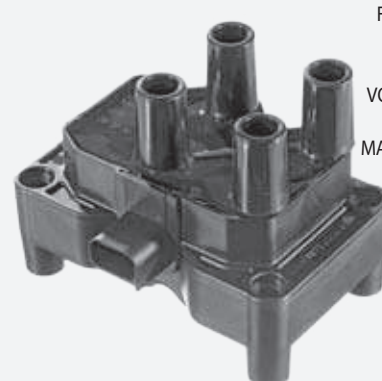

CL402

DIN Ford	OEM-No.
	FORD 7053859
	95WF 12029 BA
	

FORD

Galaxy (WGR)	2.0 i	11.95-03.00	85	NSE
Granada	2.0	08.79-08.85	74	NEP
Scorpio I	2.0 i	04.85-02.92	85	NRI/NRA
Scorpio II	2.0 i	10.94-08.98	85	NSD
Scorpio II Combi	2.0 i	10.94-08.98	85	NSD
Transit Bus (E_)	2.0	09.95-03.00	84	NSF/NSG
Transit Flatbed (E_)	2.0	08.94-03.00	84	NSF/NSG
Transit Van (E_)	2.0	06.94-03.00	84	NSF/NSG

CL403

PIN	OEM-No.	
	FORD 1350562	
	1459278	
	4M5G 12029 Z	
	VOLVO 30731416	
	30731419	
	MAZDA C401-18-100A	
		

FORD

B-Max (JK)	1.4	10.12-	66	SPJD
------------	-----	--------	----	------

< CL403
FORD

B-Max (JK)	1.4 LPG	08.13-	63	RTJC
	1.4 LPG	08.13-	66	RTJC
	1.6 Ti	10.12-	77	IQJA
B-Max Van	1.4	10.12-	66	SPJD
	1.6 Ti	10.12-	77	IQJA
C-Max (DM2)	1.6	02.07-09.10	74	SHDA/HWDB/HWDA
C-Max II	1.6 Flexifuel	02.11-	88	MUDA
	1.6 LPG	02.12-	88	MUDA
	1.6 Ti	12.10-	63	XTDA
	1.6 Ti	12.10-	77	IQDB/IQDA
	1.6 Ti	02.12-	88	MUDA
	1.6 Ti	12.10-	92	PNDA
C-Max II (DXA/C_)	1.6 LPG	02.12-	86	MUDA
Fiesta V (JH_, JD_)	1.25 16V	03.05-06.08	51	M7JA/M7JB
	1.25 16V	03.05-06.08	55	FUJA/FUJB
	1.4 16V	02.05-06.08	59	FXJB/FXJA
	1.6 16V	02.05-06.08	74	FYJA/FYJB
Fiesta VI	1.25	06.08-	44	STJA/STJB
	1.25	06.08-	60	SNJA/SNJB
	1.4	06.08-	71	SPJA/SPJC
	1.4 LPG	01.09-	71	RTJA/RTJB
	1.6 Ti	09.12-	77	IQJA
	1.6 Ti	06.08-	88	HXJB/HXJA
	1.6 Ti	12.10-	99	U5JA
	1.25	01.09-	60	SNJA/SNJB
Fiesta VI Van	1.25	01.09-	60	SNJA/SNJB
	1.6	03.05-03.07	74	HWDB/HWDA
Focus C-Max	1.6 Ti	03.05-03.07	85	SIDA/HXDA
	1.4	03.05-09.12	59	ASDB/ASDA
Focus II (DA_)	1.6	03.05-09.12	74	SHDA/HWDB/_DA
	1.6 LPG	10.09-07.11	85	SIDA
	1.6 Ti	03.05-09.12	85	HXDB/SIDA/HXDA
	1.6	10.06-07.11	74	SHDA/HWDB/_DA
Focus II Cabriolet	1.6	10.06-07.11	74	SHDA/HWDB/_DA
Focus II Combi (DA_)	1.4	03.05-09.12	59	ASDB/ASDA
	1.6	03.05-07.11	74	SHDA/HWDB/_DA
	1.6 LPG	10.09-09.12	85	SIDA
Focus II Sedan (DA_)	1.6 Ti	03.05-01.08	85	HXDB/SIDA/HXDA
	1.4	04.05-09.12	59	ASDB/ASDA
	1.6	04.05-01.08	74	SHDA/HWDB/_DA
Focus III	1.6 Ti	04.05-01.08	85	HXDB/SIDA/HXDA
	1.6 Flexifuel	04.11-	88	MUDA
	1.6 LPG	02.12-	88	MUDA
	1.6 LPG	02.12-	86	MUDA
	1.6 Ti	08.11-	63	XTDA
	1.6 Ti	04.11-	77	IQDB
Focus III Sedan	1.6 Ti	02.12-	88	MUDA
	1.6 Ti	04.11-	92	PNDA
	1.6 Flexifuel	04.11-	88	MUDA
	1.6 Ti	08.11-	63	XTDA
Focus III Turnier	1.6 Ti	04.11-	77	IQDB
	1.6 Ti	04.11-	92	PNDA
	1.6 Flexifuel	05.11-	88	MUDA
	1.6 LPG	02.12-	88	MUDA
	1.6 LPG	02.12-	86	MUDA
	1.6 Ti	08.11-	63	XTDA
Fusion (JU_)	1.6 Ti	05.11-	77	IQDB
	1.6 Ti	02.12-	88	MUDA
	1.6 Ti	05.11-	92	PNDA
	1.25	08.04-12.12	55	FUJA/FUJB
	1.4	02.05-12.12	59	FXJC/FXJB/FXJA
	1.6	02.05-11.08	74	FYJC/FYJA/FYJB
Grand C-Max	1.6 Ti	12.10-	77	IQDB/IQDA
	1.6 Ti	12.10-	92	PNDA
Mondeo IV	1.6 Ti	03.07-09.14	81	RHBA
	1.6 Ti	07.10-09.14	88	KGBA
	1.6 Ti	03.07-09.14	92	PNBA
Mondeo IV Sedan	1.6 Ti	03.07-09.14	92	PNBA
Mondeo IV Turnier	1.6 Ti	03.07-12.12	81	RHBA
	1.6 Ti	07.10-09.14	88	KGBA
	1.6 Ti	03.07-12.10	92	PNBA

MAZDA

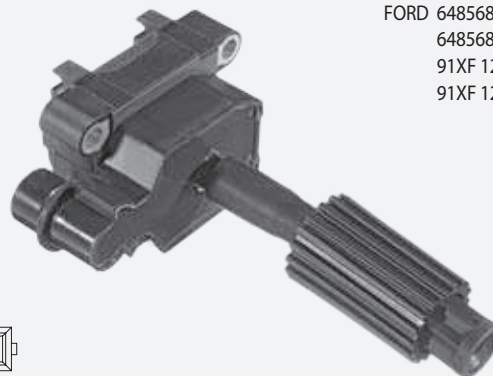
2 (DY)	1.25	02.05-	55	FUJA
--------	------	--------	----	------

< CL403
MAZDA

2 (DY)	1.4	02.05-	59	FXJA
	1.6	02.05-	74	FYJA

VOLVO

C30	1.6	10.06-12.12	74	B 4164 S3
S40 II (MS)	1.6	01.05-	74	B 4164 S3
V50 (MW)	1.6	01.05-	74	B 4164 S3

CL404
DIN Ford
OEM-No.


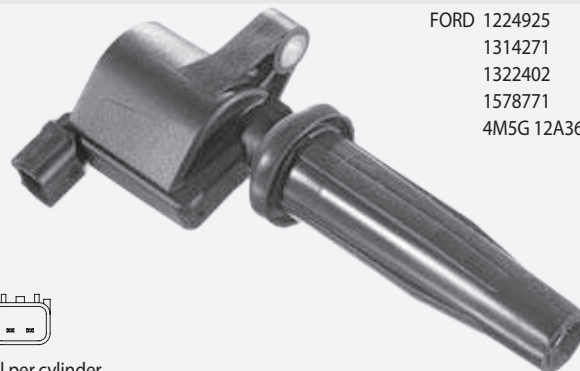
FORD 6485687
6485688
91XF 12029 AA
91XF 12029 BA



semidirect - 2 coils and ignition lead set T471G

FORD

Escort V	RS 2000	05.91-12.92	110	N7A
Escort VI	RS 2000	09.92-01.95	110	N7A
	RS 2000 4x4	08.93-01.95	110	N7A
Escort VII	RS 2000	02.95-02.98	110	N7A
	RS 2000 4x4	02.95-10.98	110	N7A
Galaxy (WGR)	2.3 16V	01.97-03.00	107	Y5B
Scorpio II	2.0 i 16V	10.94-08.98	100	N3A
	2.3 i 16V	06.96-08.98	108	Y5A
Scorpio II Combi	2.0 i 16V	10.94-08.98	100	N3A
	2.3 i 16V	06.96-08.98	108	Y5A
Transit Bus	2.3 16V [RWD]	08.00-05.06	107	E5FC/E5FA
Transit Flatbed	2.3 16V	04.01-05.06	107	E5FC/E5FA
Transit Van	2.3 16V [RWD]	04.01-05.06	107	E5FC/E5FA

CL405
OEM-No.


FORD 1224925
1314271
1322402
1578771
4M5G 12A366 B



1 coil per cylinder

FORD

C-Max (DM2)	1.8	02.07-09.10	92	QQDA/QQDB
	1.8 Flexifuel	02.07-09.10	92	Q7DA
	2.0	02.07-09.10	107	AODA/AODB/SYDA
	2.0 CNG	04.09-09.10	107	SYDA
	2.0 LPG	06.08-09.10	107	SYDA
Focus C-Max	1.8	10.03-03.07	88	CSDB/CSDA
	1.8	04.04-03.07	92	QQDA/QQDB/Q7DA
	1.8 Flexifuel	01.06-03.07	92	Q7DA
Focus II (DA_)	2.0	03.04-03.07	107	AODA/AODB/SYDA
	1.8	03.06-09.12	92	QQDB
	1.8 Flexifuel	01.06-09.12	92	Q7DA
Focus II Cabriolet	2.0	11.04-01.08	107	AODA/AODB
	2.0 CNG	04.09-07.11	107	SYDA
	2.0 LPG	06.08-07.11	107	SYDA
	2.0	10.06-07.11	107	AODA/AODB

CL405


CL405

< CL405

FORD			
Focus II Combi (DA_)	1.8	03.06-09.12	92 QQDB/Q7DA
	1.8 Flexifuel	01.06-09.12	92 Q7DA
	2.0	11.04-01.08	107 AODA/AODB
	2.0 LPG	06.08-07.11	107 SYDA
Focus II Sedan (DA_)	1.8	03.06-01.08	92 QQDB
	1.8 Flexifuel	06.06-07.11	92 Q7DA
	2.0	04.05-07.11	107 AODA/AODB
Galaxy (WA6)	2.0	05.06-06.15	107 AOWB/AOWA
	2.0 EcoBoost	05.11-06.15	149 TNWA
Mondeo IV	2.0	03.07-09.14	107 AOBC/AOBA/TBBA
	2.0 Flexifuel	03.09-09.14	107 TBBB/TBBA
	2.0 LPG	07.09-09.14	107 TBBA
	2.0 SCTi	05.11-09.14	149 TNBA
Mondeo IV Sedan	2.0	03.07-09.14	107 AOBC/AOBA/TBBA
	2.0 Flexifuel	03.09-09.14	107 TBBB/TBBA
	2.0 LPG	07.09-09.14	107 TBBA
Mondeo IV Turnier	2.0	03.07-09.14	107 AOBC/AOBA/TBBA
	2.0 Flexifuel	03.09-09.14	107 TBBB/TBBA
	2.0 LPG	07.09-09.14	107 TBBA
	2.0 SCTi	05.11-09.14	149 TNBA
S-Max (WA6)	2.0	05.06-	107 AOWB/AOWA
	2.0 EcoBoost	05.11-	149 TNWA
	2.0 Flexifuel	05.06-	107 TBWA/TBWB
Transit Flatbed	2.3 16V [RWD]	04.06-08.14	107 GZFA/GZFC/GZFB
	2.3 16V CNG [RWD]	04.06-08.14	100 GZFA
	2.3 16V LPG [RWD]	04.06-08.14	107 GZFA
Transit Van	2.3 16V [RWD]	04.06-08.14	107 GZFA/GZFC/GZFB
	2.3 16V CNG [RWD]	04.06-08.14	100 GZFA
	2.3 16V LPG [RWD]	04.06-08.14	107 GZFA

MAZDA

3 (BK)	2.0	10.03-06.09	110 LF17
3 Sedan (BK)	2.0	02.04-	110 LF17
Tribute (EP)	2.3 AWD	04.04-05.08	110 L3-VE

VOLVO

C30	1.8	10.06-12.12	92 B 4184 S11
	1.8 FlexFuel	01.07-12.12	92 B 4184 S8
	2.0	10.06-12.12	107 B 4204 S3
	2.0 FlexFuel	01.10-12.12	107 B 4204 S4
S40 II (MS)	1.8	04.04-	92 B 4184 S11
	1.8 FlexFuel	01.06-	92 B 4184 S8
	2.0	10.06-	107 B 4204 S3
S80 II (AS)	2.0	01.08-	107 B 4204 S3
	2.0 FlexFuel	01.08-	107 B 4204 S4
V50 (MW)	1.8	04.04-	92 B 4184 S11
	1.8 FlexFuel	01.05-	92 B 4184 S8
	2.0	10.06-	107 B 4204 S3
	2.0 FlexFuel	01.10-	107 B 4204 S4
V70 III (BW)	2.0	10.07-	107 B 4204 S3
	2.0 FlexiFuel	01.08-	107 B 4204 S4

CL406

PIN	OEM-No.		
	FORD 1350567		
	1458400		
	457G 12029 AA		
	457G 12029 AB		



FORD

Fiesta V (JH_, JD_)	2.0 ST150	03.05-06.08	110 N4JB
Mondeo III	1.8 16V	03.05-03.07	81 CGBB/CGBA
	1.8 16V	03.05-03.07	92 CHBA/CHBB
	2.0 16V	03.05-03.07	107 CJBA/CJBB

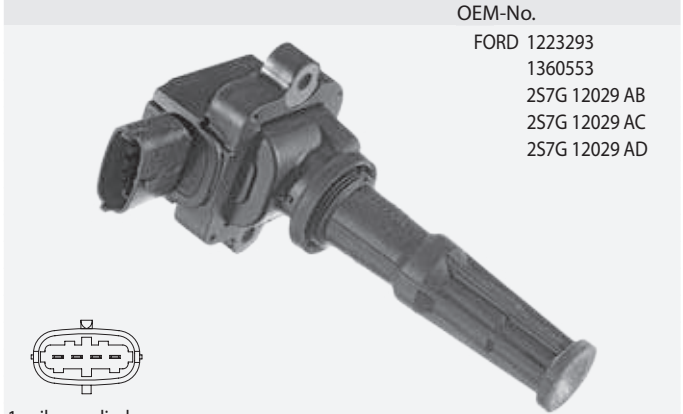
ignition coils



< CL406

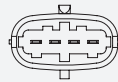
FORD			
Mondeo III Combi	1.8 16V	03.05-03.07	81 CGBB/CGBA
	1.8 16V	03.05-03.07	92 CHBA/CHBB
	2.0 16V	03.05-03.07	107 CJBA/CJBB
Mondeo III Sedan	1.8 16V	03.05-03.07	81 CGBB/CGBA
	1.8 16V	03.05-03.07	92 CHBA/CHBB
	2.0 16V	03.05-03.07	107 CJBA/CJBB

CL407



OEM-No.

FORD 1223293
1360553
257G 12029 AB
257G 12029 AC
257G 12029 AD

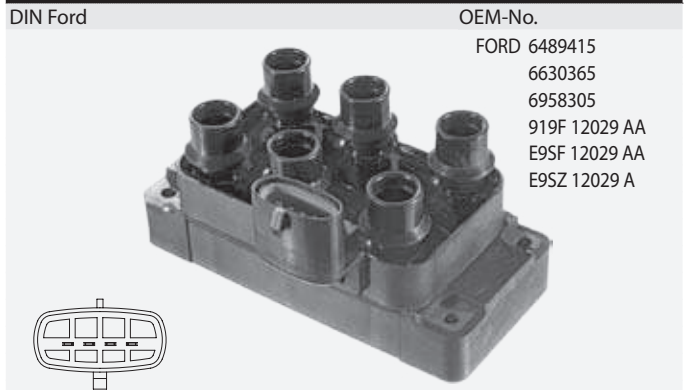


1 coil per cylinder

FORD

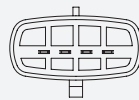
Mondeo III	1.8 SCi	06.03-03.07	96 CFBA
Mondeo III Combi	1.8 SCi	06.03-03.07	96 CFBA
Mondeo III Sedan	1.8 SCi	06.03-03.07	96 CFBA

CL408



OEM-No.

FORD 6489415
6630365
6958305
919F 12029 AA
E9SF 12029 AA
E9SZ 12029 A

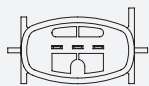


FORD

Cougar (EC_)	2.5 ST 200	01.00-12.01	151 SGA
	2.5 V6 24V	08.98-12.01	125 LCBA
	2.5 V6 24V	06.00-12.01	125 LCBC/LCBB/LCBE
Mondeo I	2.5 i 24V	07.94-08.96	125 SEA
Mondeo I Combi	2.5 i 24V	07.94-08.96	125 SEA
Mondeo I Sedan	2.5 i 24V	07.94-08.96	125 SEA
Mondeo II	2.5 24V	08.96-09.00	125 SEA
	2.5 24V	06.00-09.00	125 SEB/SEC
	2.5 ST 200	05.99-09.00	151 SGA
Mondeo II Combi	2.5 24V	08.96-09.00	125 SEA
	2.5 24V	10.99-09.00	125 SEB/SEC
	2.5 ST 200	05.99-09.00	151 SGA
Mondeo II Sedan	2.5 24V	08.96-09.00	125 SEA
	2.5 24V	06.00-09.00	125 SEB/LCBB/SEC
	2.5 ST 200	05.99-09.00	151 SGA
Scorpio I	2.9 i 24V	04.91-09.94	143 BOA
Scorpio I Combi	2.9 24V	08.93-09.94	143 BOA
Scorpio I Sedan	2.9 i 24V	04.91-09.94	143 BOA
Scorpio II	2.9 i 24V	10.94-08.98	152 BOB
Scorpio II Combi	2.9 i 24V	10.94-08.98	152 BOB
Windstar (A3)	3.0 V6	03.95-02.99	109

CL409

PIN	OEM-No.
	FORD 1119835
	1319788
	157G 12029 AB
	157G 12029 AC
	988F12029AD
	YM2F12029AB



CL409-new design (CL 401 „old design“)

FORD

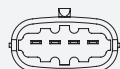
Cougar (EC_)	2.0 16V	08.98-12.01	96	EDBB/_C/_D/_A
Escort VII	1.3	09.98-10.98	44	J4B
Escort VII Combi	1.3	09.98-01.99	44	J4B
Escort VII Sedan	1.3	09.98-02.99	44	J4B
Fiesta IV	1.25 i 16V	05.98-01.02	55	DHG/_B/_C/_E/_F/_A
	1.3 i	09.98-01.02	37	JJA/_E/_M/_C/_J/_K
	1.3 i	09.98-01.02	44	J4R/_C/_L/_J/_Q/_T
	1.4 i 16V	05.98-01.02	66	FHE/FHA
	1.6 16V Sport	02.00-01.02	76	L1V/L1T
Fiesta V	1.25 16V	05.02-02.05	51	M7JA/M7JB
	1.25 16V	05.02-02.05	55	FUJA/FUJB
	1.3	11.01-06.08	44	BAJA
	1.3	11.01-06.08	51	A9JA/A9JB
	1.4 16V	11.01-01.05	59	FXJB/FXJA
	1.6 16V	11.01-01.05	74	FYJA/FYJB
Fiesta V Van	1.3	10.03-07.05	51	A9JA/A9JB
Focus (DAW, DBW)	1.6 16V	10.98-11.04	74	FYDH/_A/_B/_D/_C
	1.8 16V	10.98-11.04	85	EYDD/_C/_E/_L/_F/_G
	2.0 16V	10.98-11.04	96	EDDC/_B/_D/_F
	2.0 RS	10.02-11.04	158	HMDA
	2.0 ST170	03.02-11.04	127	ALDA
Focus Combi (DNW)	2.0 16V	02.99-11.04	96	EDDC/_B/_D/_F
Focus Sedan (DFW)	2.0 16V	02.99-11.04	96	EDDC/_B/_D/_F
Focus C-Max	1.6	10.03-02.05	74	HWDB/HWDA
	1.6 Ti	08.04-02.05	85	SIDA/HXDA
Focus II (DA_)	1.4	11.04-02.05	59	ASDB/ASDA
	1.6	11.04-02.05	74	SHDA/HWDB/HWDA
	1.6 Ti	11.04-02.05	85	HXDB/SIDA/HXDA
Focus II Combi (DA_)	1.4	11.04-02.05	59	ASDB/ASDA
	1.6	11.04-02.05	74	SHDA/HWDB/HWDA
	1.6 Ti	11.04-02.05	85	HXDB/SIDA/HXDA
Fusion (JU_)	1.4	08.02-01.05	59	FXJC/FXJB/FXJA
	1.6	08.02-01.05	74	FYJC/FYJA/FYJB
Galaxy (WGR)	2.0 i	02.01-05.06	85	ZVSA
Ka (RB_)	1.3 i	09.98-11.08	36	JJH/JJD/JJF/JJG/JJL
	1.3 i	09.98-10.02	37	JJB
	1.3 i	09.96-11.08	44	J4S/_K/_M/_P/_N/_D
	1.3 i	08.02-11.08	51	A9B/A9A
	1.6 i	07.03-11.08	70	CDC/CDB
Maverick	2.0 16V	02.01-	91	YF
Mondeo II	1.6 i	09.98-09.00	66	L1J
	1.6 i 16V	05.98-09.00	70	L1N/L1L/L1Q
	1.8 i	09.98-09.00	85	RKK/_J/_B/_F/_H
	2.0 i	09.98-09.00	96	NGA/_B/_D/_C
Mondeo II Combi	1.6 i	09.98-09.00	66	L1J
	1.6 i 16V	05.98-09.00	70	L1N/L1L/L1Q
	1.8 i	09.98-09.00	85	RKK/_J/_B/_F/_H
	2.0 i	09.98-09.00	96	NGA/_B/_D/_C
Mondeo II Sedan	1.6 i	09.98-09.00	66	L1J
	1.6 i 16V	05.98-09.00	70	L1N/L1L/L1Q
	1.8 i	09.98-09.00	85	RKK/_J/_B/_F/_H
	2.0 i	09.98-09.00	96	NGA/_B/_D/_C
Mondeo III	1.8 16V	10.00-02.05	81	CGBB/CGBA
	1.8 16V	10.00-02.05	92	CHBA/CHBB
	2.0 16V	10.00-02.05	107	CJBA/CJBB
Mondeo III Combi	1.8 16V	10.00-02.05	81	CGBB/CGBA

< CL409
FORD

Mondeo III Combi	1.8 16V	10.00-02.05	92	CHBA/CHBB
	2.0 16V	10.00-02.05	107	CJBA/CJBB
Mondeo III Sedan	1.8 16V	10.00-02.05	81	CGBB/CGBA
	1.8 16V	10.00-02.05	92	CHBA/CHBB
	2.0 16V	10.00-02.05	107	CJBA/CJBB
Puma (EC_)	1.4 16V	05.98-10.00	66	FHD/FHF
	1.6 16V	08.00-06.02	76	L1W
Street Ka (RL2)	1.6	05.03-07.05	70	CDRA/CDRB

CL410

	OEM-No.
	FORD 1371601
	6M5G12029AA
	VOLVO 8677837
	30713417



1 coil per cylinder

FORD

Focus II (DA_)	2.5 RS	01.09-07.11	224	JZDA
	2.5 RS 500	05.10-07.11	257	JZDA
	2.5 ST	10.05-09.12	166	HYDA
Kuga I	2.5	03.09-	147	HYDB/HYDC
	2.5 4x4	03.09-	147	HYDB
Mondeo IV	2.5	03.07-09.14	162	HUBA
Mondeo IV Sedan	2.5	03.07-09.14	162	HUBA
Mondeo IV Turnier	2.5	03.07-12.12	162	HUBA
S-Max (WA6)	2.5 ST	05.06-	162	HUWA

VOLVO

C30	2.4 i	10.06-12.12	125	B 5244 S4
	2.5 T5	10.06-12.12	162	B 5254 T3
	2.5 T5	03.07-12.12	169	B 5254 T7
C70 II Cabriolet	2.4	03.06-	103	B 5244 S5
	2.4 i	03.06-	125	B 5244 S4
	2.5 T5	03.06-	162	B 5254 T3
	2.5 T5	03.07-	169	B 5254 T7
S40 II (MS)	2.4	01.04-	103	B 5244 S5
	2.4	01.04-	125	B 5244 S4
	2.5 T5	01.04-	162	B 5254 T3
	2.5 T5	03.07-	169	B 5254 T7
	2.5 T5 AWD	04.04-	162	B 5254 T3
	2.5 T5 AWD	03.07-	169	B 5254 T7
S60 I	2.0 T	08.04-04.10	132	B 5204 T5
	2.4 T	11.00-04.10	147	B 5244 T3
	2.4 T AWD	11.01-04.10	147	B 5244 T3
	2.4 T5	04.04-04.10	191	B 5244 T5
	R 2.5 T AWD	03.03-04.10	221	B 5254 T4
S60 II	2.0 T	12.13-	132	B 5204 T8
S80 I (TS, XY)	2.0 T	08.04-07.06	132	B 5204 T5
S80 II (AS)	2.5 T	03.06-	147	B 5254 T6
	2.5 T	01.10-	170	B 5254 T10
	2.5 T FlexFuel	05.08-	147	B 5254 T8
	2.5 T FlexFuel	01.10-	170	B 5254 T11
V40 CC	2.0 T5	12.13-	132	B 5204 T8
	2.0 T5 AWD	07.13-	132	B 5204 T8
	2.0 T5	03.13-	157	B 5204 T9
	2.0 T5 AWD	03.13-	157	B 5204 T9
	2.5 T5	12.12-	187	B 5254 T12
	2.5 T5 AWD	01.13-	187	B 5254 T12
	2.5 T5	01.14-	183	B 5254 T14
V50 (MW)	2.4	04.04-	103	B 5244 S5
	2.4	04.04-	125	B 5244 S4
	2.5 T5	04.04-	162	B 5254 T3

CL410

< CL410

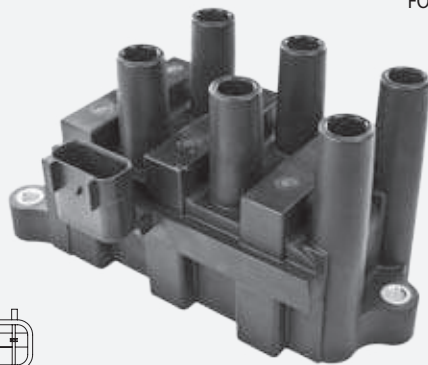
VOLVO

V50 (MW)	2.5 T5	03.07-	169	B 5254 T7
	2.5 T5 AWD	04.04-	162	B 5254 T3
	2.5 T5 AWD	03.07-	169	B 5254 T7
V60	2.0 T5	04.14-	157	B 5204 T9
V70 II (SW)	2.0 T	07.01-08.07	132	B 5204 T5
	2.4 T5	04.04-08.07	191	B 5244 T5
	R 2,5 T AWD	03.03-08.07	221	B 5254 T4
V70 III (BW)	2.5 T	08.07-	147	B 5254 T6
	2.5 T	01.10-	170	B 5254 T10
	2.5 T FlexiFuel	05.08-	147	B 5254 T8
	2.5 T FlexiFuel	10.09-	170	B 5254 T11
XC60	2.5 T5 AWD	04.14-	187	B 5254 T12

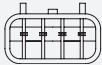
CL411

PIN

OEM-No.



FORD 4751265
5008190
5F2E12029AA
5F2E12029AB



FORD

Mondeo II	2.5 24V	06.00-09.00	125	SEB/SEC
Mondeo II Combi	2.5 24V	10.99-09.00	125	SEB/SEC
Mondeo II Sedan	2.5 24V	06.00-09.00	125	SEB/LCBD/SEC
Mondeo III	2.5 V6 24V	10.00-03.07	125	LCBD
	3.0 V6 24V	09.04-03.07	150	REBA
	3.0 ST220	04.02-03.07	166	MEBA
Mondeo III Combi	2.5 V6 24V	10.00-03.07	125	LCBD
	3.0 V6 24V	09.04-03.07	150	REBA
	3.0 ST220	04.02-03.07	166	MEBA
Mondeo III Sedan	2.5 V6 24V	10.00-03.07	125	LCBD
	3.0 V6 24V	09.04-03.07	150	REBA
	3.0 ST220	04.02-03.07	166	MEBA

CL412

OEM-No.



FORD 1404981
1716750
6E5G12A366AD
6E5G12A366AE



1 coil per cylinder

FORD

Galaxy (WA6)	2.3	07.07-	118	SEWA
Mondeo IV	2.3	07.07-09.14	118	SEBA
Mondeo IV Sedan	2.3	07.07-09.14	118	SEBA
Mondeo IV Turnier	2.3	07.07-09.14	118	SEBA
S-Max (WA6)	2.3	07.07-	118	SEWA

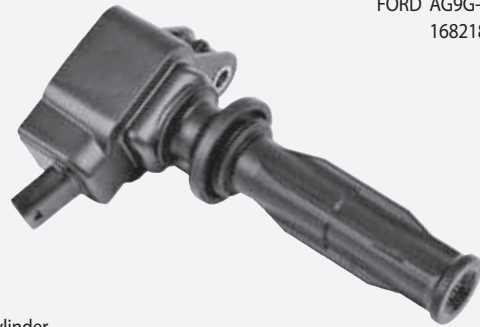
ignition coils



CL413

OEM-No.

FORD AG9G-12A366-BB
1682188



1 coil per cylinder

FORD

Galaxy (WA6)	2.0 EcoBoost	07.10-04.11	146	TNWB
	2.0 EcoBoost	03.10-04.11	149	TNWA
Galaxy	2.0 EcoBoost	01.15-	176	R9CD/R9CI
Mondeo IV	2.0 EcoBoost	07.10-04.11	176	TPBA
	2.0 SCTi	03.10-04.11	149	TNBA
Mondeo IV Turnier	2.0 EcoBoost	07.10-04.11	176	TPBA
	2.0 SCTi	03.10-04.11	149	TNBA
S-Max (WA6)	2.0 EcoBoost	07.10-04.11	146	TNWB
	2.0 EcoBoost	03.10-04.11	149	TNWA
	2.0 EcoBoost	07.10-04.11	176	TPWA
S-Max	2.0 EcoBoost	02.15-	176	R9CD/R9CI

VOLVO

S60 II	2.0 T	04.10-	149	B 4204 T6
	2.0 T5	04.10-	177	B 4204 T7
V60	2.0 T	09.10-	149	B 4204 T6
	2.0 T5	09.10-	177	B 4204 T7
V70 III (BW)	2.0 T	01.10-	149	B 4204 T6
	2.0 T5	01.10-	177	B 4204 T7
XC60	2.0 T	03.10-	149	B 4204 T6
	2.0 T5	09.10-	177	B 4204 T7

CL414

OEM-No.

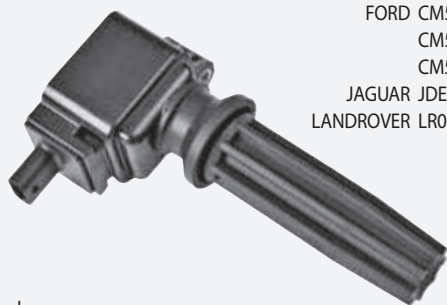
FORD 1762724
1832313
BM5G-12A366-CA
BM5G-12A366-DA
BM5G-12A366-DB



1 coil per cylinder

FORD

Focus III	1.6 EcoBoost	04.11-	110	JQDA/ B/YUDA
	1.6 EcoBoost	04.11-	134	JTDB/JTDA
Focus III Sedan	1.6 EcoBoost	04.11-	110	JQDA/ B/YUDA
	1.6 EcoBoost	04.11-	134	JTDB/JTDA
Focus III Turnier	1.6 EcoBoost	05.11-	110	JQDA/ B/YUDA
	1.6 EcoBoost	05.11-	134	JTDB/JTDA
Galaxy (WA6)	1.6 EcoBoost	11.10-06.15	118	JTWA/JTWB
Grand C-Max	1.6 EcoBoost	12.10-	110	JQDA/JQDB
	1.6 EcoBoost	12.10-	134	JTDB/JTDA
Kuga II (DM2)	1.6 EcoBoost	03.13-	110	JQMA/JQMB
	1.6 EcoBoost 4x4	03.13-	110	JQMA/JQMB
	1.6 EcoBoost 4x4	03.13-	134	JTMA
Mondeo IV	1.6 EcoBoost	02.11-09.14	118	JTBB
Mondeo IV Turnier	1.6 EcoBoost	02.11-09.14	118	JTBA
S-Max (WA6)	1.6 EcoBoost	02.11-	118	JTWA/JTWB
Grand Tourneo	1.6 EcoBoost	11.13-	110	JQGA

CL415


OEM-No.
 FORD CM5E-12A366-BB
 CM5E-12A366-BC
 CM5E-12A366-CA
 JAGUAR JDE30294
 LANDROVER LR030637



1 coil per cylinder

FORD

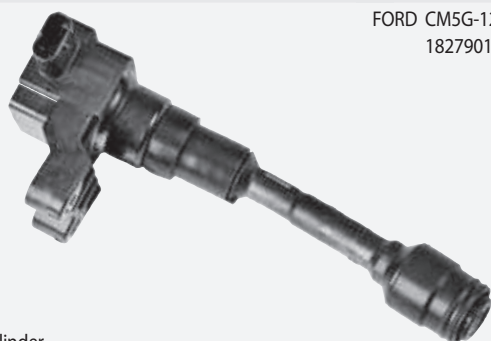
Focus III	2.0 ST	07.12-	184	R9DA
Focus III Turnier	2.0 ST	07.12-	184	R9DA
Galaxy (WA6)	2.0 EcoBoost	05.11-	146	TNWB
Mondeo IV	2.0 EcoBoost	05.11-09.14	176	TPBA
Mondeo IV Turnier	2.0 EcoBoost	05.11-09.14	176	TPBA
S-Max (WA6)	2.0 EcoBoost	05.11-	146	TNWB
	2.0 EcoBoost	05.11-	176	TPWA

JAGUAR

XF	2.0	06.12-04.15	177	204PT
XJ	2.0	05.12-	177	204PT

LANDROVER

Freelander 2 (FA_)	2.0 Si4 4x4	10.11-10.14	177	204PT
Range Rover Evoque	2.0 4x4	06.11-	177	204PT

CL416


OEM-No.
 FORD CM5G-12A366-CB
 1827901



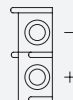
1 coil per cylinder

FORD

B-Max (JK)	1.0 EcoBoost	10.12-	74	SFJA/ B/ D/ C
	1.0 EcoBoost	10.12-	88	M1JA
	1.0 EcoBoost	10.12-	92	M1JE
C-Max II (DXA/C_)	1.0 EcoBoost	10.12-	74	M2DA/SFDA
	1.0 EcoBoost	10.12-	92	M1DA
Ecosport	1.0 EcoBoost	10.13-	92	M1JC
Fiesta VI	1.0	01.13-	48	XMJA/XMJB
	1.0	10.12-	59	P4JC/ D/ A/ JB
	1.0 EcoBoost	01.13-	74	SFJA/ B/ D/ C
	1.0 EcoBoost	09.12-	92	M1JE
	1.0 Sport	05.14-	103	YYJA/YYJB
Focus III	1.0 EcoBoost	02.12-	92	M1DA
	1.0 EcoBoost	02.12-	74	M2DA
Focus III Sedan	1.0 EcoBoost	02.12-	74	M2DA
	1.0 EcoBoost	02.12-	92	M1DA
Focus III Turnier	1.0 EcoBoost	02.12-	74	M2DA
	1.0 EcoBoost	02.12-	92	M1DA
Mondeo V CC	1.0 EcoBoost	02.15-	92	M1CB/M1CA
Mondeo V Turnier	1.0 EcoBoost	02.15-	92	M1CB/M1CA
Grand Tourneo	1.0 EcoBoost	11.13-	74	M2GA/M2GB
Tourneo Courier	1.0 EcoBoost	02.14-	74	SFCD/ C/ A/ B
Transit Connect Van	1.0 EcoBoost	02.13-	74	M2GA
Transit Courier Combi	1.0 EcoBoost	02.14-	74	SFCD/ C/ A/ B
Transit Courier Van	1.0 EcoBoost	02.14-	74	SFCD/ C/ A/ B

CL500

DIN



OEM-No.

HONDA 30500-PM5-A02
 30500-PM5-A03
 ROVER GCL 161

ACURA

Integra CC	1.6	01.85-12.90	74	D16A1
	1.6 i	01.85-12.90	88	D16A8
Integra Coupe	1.6	01.85-12.90	74	D16A3
	1.6 i	01.85-12.90	88	D16A8
Integra Sedan	1.6	01.85-12.90	74	D16A3
	1.6 i	01.85-12.90	88	D16A8

HONDA

Civic II Shuttle (EE)	1.5 i 16V	01.88-11.91	69	D15B2
	1.6 i 16V 4WD	01.88-12.89	80	D16A6
	1.6 i 16V 4WD	01.88-02.95	81	D16A6
Civic III Hatchback	1.5 GL	10.83-10.87	63	EW2
	1.5 GL	10.83-10.87	63	EW2
Civic IV Hatchback	1.6 i 16V	10.87-09.91	80	D16A6
	1.6 i 16V	10.87-09.91	81	D16Z2
	1.6 i 16V Vtec	10.89-09.91	110	B16A1
Civic IV Sedan (ED)	1.5 i 16V	10.87-09.91	66	D15B2
	1.5 i 16V	10.87-09.91	69	D15B2
	1.6 i 16V	11.87-09.91	80	D16A6
	1.6 i 16V	10.87-09.91	81	D16Z2
	1.6 i 16V	09.87-09.91	96	D16A7
	1.6 i 16V 4x4	10.89-09.91	80	D16A6
	1.5 i 16V	08.89-03.95	66	D15B2
Concerto (HW)	1.6 16V	08.89-03.95	78	D16Z2
	1.6 i 16V	08.89-03.95	82	D16Z2
	1.6 i 16V	08.89-03.95	90	D16A8
	1.6 i 16V	08.89-03.95	90	D16A8
Concerto Sedan	1.5 i 16V	08.89-05.95	66	D15B2
	1.6 16V	08.89-03.95	78	D16Z2
	1.6 i 16V	08.89-03.95	82	D16Z2
CRX II (ED, EE)	1.6 i 16V	08.89-03.95	90	D16A8
	1.6 i 16V	10.87-02.92	91	D16Z5
	1.6 i 16V	10.87-12.89	96	D16A8/D16A9
1.6 i 16V Vtec	10.89-02.92	110	B16A1	

ROVER

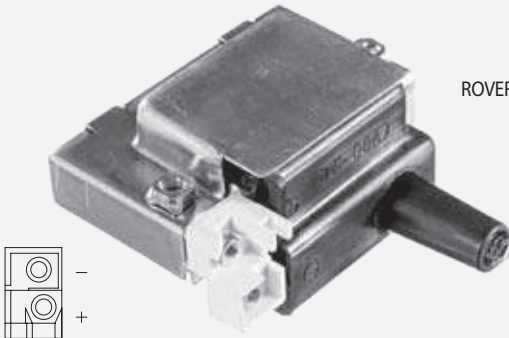
200 Coupe (XW)	216	10.92-06.99	90	D 16 A8
200 Hatchback (XW)	216 GSi	10.89-10.95	82	D 16 Z2
	216 GTi	09.90-10.95	90	D 16 A8
400 (XW)	416 GSi	04.90-04.95	82	D 16 Z2
	416 GTi	04.90-04.95	90	D 16 A8
Cabriolet (XW)	216 1.6i	01.92-11.99	90	D 16 A8

CL501

CL501

OEM-No.

HONDA 30510-P73-A01
30510-P73-A02
30510-PT2-006
30500PTZ005
ROVER GCL 195
NEC 100530



HONDA

Accord IV (CB)	2.0 16V	01.90-03.93	81	F20A3/F20A2
	2.0 i 16V	01.90-03.93	98	F20A4/F20A8
	2.2 i 16V	01.90-03.93	110	F22A3
	2.2 i 16V Automatic	01.90-03.93	108	F22A3
Accord IV Aerodeck	2.0 i 16V	03.93-12.93	98	F20Z3
	2.2 i 16V	01.91-12.93	108	F22A8
	2.2 i 16V	01.91-12.93	110	F22A7
Accord IV Coupe	2.0 i 16V	01.92-09.93	98	F20A7
Accord V (CC, CD)	2.0 i	03.93-01.96	85	F20Z2
	2.0 i S	03.93-01.96	96	F20Z1
	2.3 i SR	03.93-01.96	116	H23A3
Accord V (CE, CF)	2.0 i LS	02.96-10.98	96	F20Z1
Accord V Aerodeck	2.0 i LS 16V	09.93-02.98	100	F20B3
	2.2 i ES	09.93-02.98	110	F22B5
Accord V Coupe (CD)	2.0	09.93-12.97	100	F20B3
	2.2 i ES	09.93-02.98	110	F22B5
Accord VI (CG, CK)	2.2 Type-R	02.99-12.02	156	H22A7
Civic V Coupe (EJ)	1.5 i LSi	08.93-11.95	74	D15B7
	1.6 i	01.94-11.95	77	D16Y7
	1.6 i Vtec	01.94-03.96	92	D16Y6/D16Z9
	1.6 i Vtec	01.94-11.95	118	B16A2
Civic V Hatchback	1.5 i 16V	10.91-11.95	66	D15B2/D15Z2
	1.5 i 16V	10.91-11.95	69	D15Z1/D15B2
	1.6 16V Vtec	10.91-11.95	92	D16Z6
	1.6 VTi 16V	10.91-11.95	118	B16A2
Civic V Sedan	1.5 i 16V	10.91-11.95	69	D15B2
	1.6 16V Vtec	10.91-11.95	92	D16Z6/D16Z7
Civic VI Aerodeck	1.4 16V	04.98-02.01	55	D14A7
	1.4 16V	04.98-02.01	66	D14A8
	1.6 16V	04.98-02.01	85	D16B2
	1.8 16V	04.98-02.01	124	B18C4
Civic VI Coupe	1.6 i	03.96-03.00	77	D16Y7
	1.6 i Vtec	03.96-03.00	92	D16Y8
	1.6 i Vtec	04.99-12.00	118	B16A2
Civic VI Fastback	1.5 16V	01.97-02.01	84	D15Z8
	1.5 i Vtec-E	09.94-01.97	66	D15Z3
	1.6 16V	01.97-02.01	85	D16B2
	1.6 i	09.94-01.97	83	D16Y3
	1.6 i Vtec	09.94-01.97	93	D16Y2
	1.6 VTi	01.97-02.01	118	B16A2
	1.8 16	01.97-02.01	124	B18C4
Civic VI Hatchback	1.4 i	11.95-02.01	55	D14A3
	1.4 i S	11.95-02.01	66	D14A4/ Z4/ Z2
	1.5 i	11.95-02.01	84	D15Z6
	1.6 i	11.95-02.01	84	D16Y5
	1.6 VTi	11.95-02.01	118	B16A2
Civic VI Sedan	1.4	11.95-10.98	55	D14A4
	1.4 i	11.95-02.01	66	D14A4/ Z4/ Z2
	1.5 i	11.95-02.01	84	D15Z6
	1.6 i Vtec	11.95-02.01	92	D16Y6/D16Y8
	1.6 VTi	11.95-02.01	118	B16A2
CR-V I (RD)	2.0 16V	01.99-02.02	108	B20Z1
	2.0 16V 4WD	10.95-01.99	94	B20B
CRX III (EH, EG)	1.6 ESi	03.92-12.98	92	D16Y8/D16Z6
	1.6 i VTi	03.92-12.98	118	B16A2

ignition coils



< CL501

HONDA

HR-V (GH)	1.6 16V	03.99-	77	D16W1
	1.6 16V 4WD	03.99-	77	D16W1
	1.6 16V 4WD	10.99-	91	D16W5
Integra Coupe	1.8 Type-R	11.97-10.01	140	B18C6
Logo (GA3)	1.3	03.99-03.02	48	D13B7
Prelude IV	2.0 i 16V	02.92-09.96	98	F20A4
	2.2 i 16V Vtec	02.93-09.96	136	H22A2
	2.3 i 16V	02.92-09.96	118	H23A2
Prelude V	2.0 16V	10.96-10.00	98	F20A4
	2.2 16V	10.96-10.00	136	H22A2 /H22A5
	2.2 16V	10.96-10.00	147	H22A5
Shuttle (RA)	2.2 16V	10.94-02.98	110	F22B8

ROVER

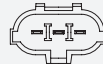
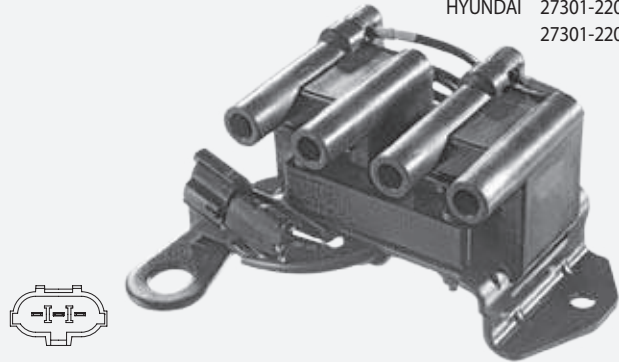
600 (RH)	620 i	08.93-06.96	85	F 20 Z2
	620 Si	08.93-02.99	96	F 20 Z1
	620 Ti Vitesse	07.94-02.99	147	20 T4G
	623 Si	08.93-02.99	116	H 23 A3

CL502

DIN

OEM-No.

HYUNDAI 27301-22040
27301-22050



HYUNDAI

Accent I (X-3)	1.3	10.94-01.00	44	G4EH
	1.3	10.94-01.00	55	G4EH
	1.3 i 12V	10.94-01.00	62	G4EH
	1.5 i 12V	10.94-01.00	65	G4EK
Accent Sedan (X-3)	1.3	10.94-01.00	44	G4EH
	1.3	10.94-01.00	55	G4EH
	1.3 i 12V	10.94-01.00	62	G4EH
	1.5 i 12V	10.94-01.00	65	G4EK
Accent II (LC)	1.5	01.00-11.05	66	G4EB
	1.5	09.00-11.05	75	G4EC-G
Accent II Sedan (LC)	1.5	01.00-11.05	66	G4EB
Lantra II (J-2)	1.5 12V	12.96-09.00	65	G4EK
Lantra II Wagon (J-2)	1.5 12V	04.97-10.00	65	G4EK

MITSUBISHI

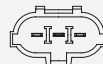
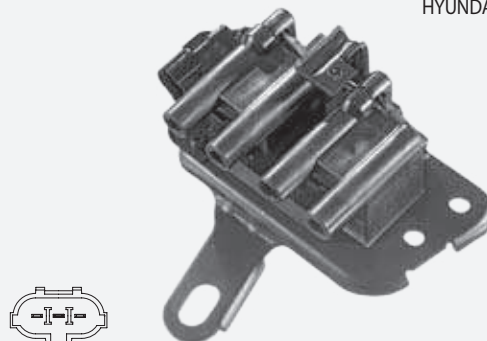
Colt V (CJ, CP)	1300 GL, GLX	05.96-09.00	55	4G13 (12V)
Lancer VI (CJ-CP)	1.3 12V	12.95-08.03	55	4G13 (12V)
	1.5 16V	12.95-08.03	69	4G15 (16V)

CL503

DIN

OEM-No.

HYUNDAI 27301-23003



HYUNDAI

Coupe (RD)	1.6 16V	03.98-06.00	85	G4GR
------------	---------	-------------	----	------

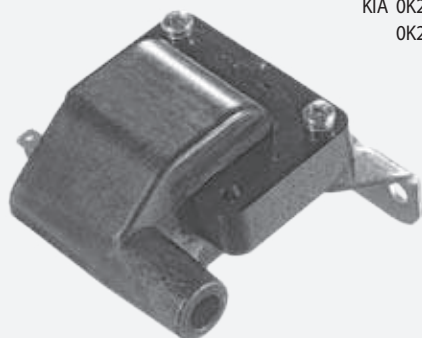
< CL503
HYUNDAI

Coupe (RD)	1.6 i 16V	12.96-06.00	84	4G61
	2.0 16V	03.01-04.02	99	G4DF
	2.0 16V	08.96-04.02	102	G4GF
Elantra (XD)	1.6	06.00-07.06	66	G4GR
Elantra Sedan (XD)	1.6	06.00-07.06	66	G4GR
Getz (TB)	1.4 i	08.05-	71	G4EE
Lantra II (J-2)	1.6 16V	11.95-09.00	84	4G61
	1.6 i	11.95-09.00	66	G4GR
	1.8 16V	11.95-09.00	94	G4GM
	2.0 16V	08.96-09.00	102	G4GF
Lantra II Wagon (J-2)	1.6 16V	02.96-10.00	84	4G61
	1.6 i	02.96-10.00	66	G4GR
	1.8 16V	02.96-10.00	94	G4GM
	2.0 16V	12.96-10.00	102	G4GF

CL504

DIN

OEM-No.

 KIA 0K201 18 10XB
0K201 18 10XC

KIA

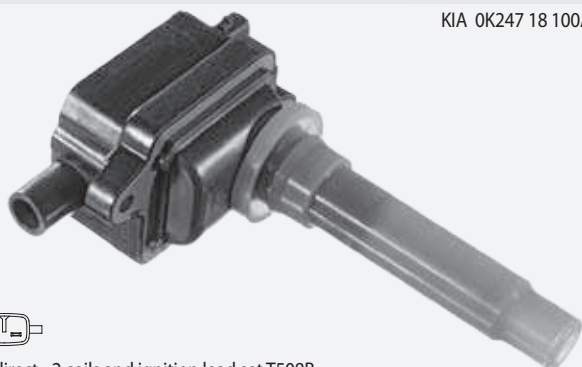
Sephia (FA)	1.5 i	02.96-10.97	59	B5
	1.6 i	01.95-10.97	59	B6
Sephia Sedan (FA)	1.5 i	02.96-10.97	59	B5
	1.6 i	09.93-10.97	59	B6

CL505

PIN

OEM-No.

KIA 0K247 18 100A



semidirect - 2 coils and ignition lead set T508B

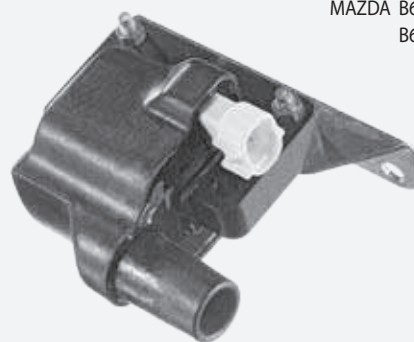
KIA

Carens I (FC)	1.8 i	11.00-07.02	81	T8
Carens II (FJ)	1.8	07.02-	93	TB
CLarus (K9A)	1.8 i 16V	07.96-	85	T8
CLarus Combi (GC)	1.8 i 16V	05.98-	85	T8
Sephia (FA)	1.6 i	01.95-10.97	59	B6
	1.8 i 16V	01.95-10.97	82	OK24N/OK26Y
Sephia Sedan (FA)	1.8 i 16V	01.95-10.97	82	OK24N/OK26Y
Shuma (FB)	1.8 i 16V	10.97-03.01	81	T8
Shuma Sedan (FB)	1.8 GX	05.99-10.01	85	
Shuma II (FB)	1.8	04.03-08.04	84	T8

CL506

DIN

OEM-No.

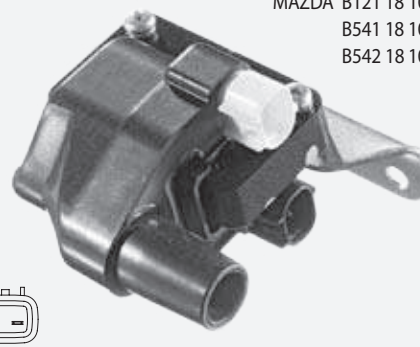
 MAZDA B6S71810XA
B6S81810XA

MAZDA

323 C IV (BG)	1.3 16V	04.91-07.94	54	B3 (16V)
	1.8 16V	09.89-03.93	103	BP22/BP31
	1.8 16V 4WD	11.91-12.93	76	BP
	1.8 16V GT	09.89-03.93	94	BP (DOHC)
	1.8 16V Turbo 4WD	09.90-12.92	120	BP Turbo
	1.8 16V Turbo 4WD	01.93-07.94	136	BP Turbo
323 F IV (BG)	1.6	09.89-06.91	62	B6E
	1.6 16V	03.91-10.94	65	B6
	1.8 4WD	01.91-04.94	76	BPC
	1.8 16V	08.89-07.94	76	BP
	1.8 16V	09.89-03.93	103	BP31
	1.8 16V GT	08.89-07.94	94	BP (DOHC)
323 S IV (BG)	1.3 16V	04.91-07.94	54	B3 (16V)
	1.6	09.89-06.91	62	B6E
	1.6 16V	08.89-10.94	65	B6
	1.8 16V	08.89-07.94	76	BP52
	1.8 16V 4WD	09.91-07.94	76	BP52
	1.8 16V GT	06.89-07.94	94	BP (DOHC)
MX-3 (EC)	1.6 i	07.91-	65	B69

CL507

DIN

OEM-No.

 MAZDA B121 18 10X
B541 18 10XA
B542 18 10XA

MAZDA

121 I (DA)	1.1	10.87-10.90	42	B1/B116
	1.3	04.89-10.90	40	B3
	1.3	10.87-11.90	44	B3
121 II (DB)	1.1	11.90-10.93	40	B1
	1.3 16V	11.90-10.93	39	B3 (16V)
	1.3 i 16V	11.90-10.93	53	B3 (16V)
323 III (BF)	1.4	04.87-07.89	44	B3
	1.4	09.87-10.89	44	B3
323 III Station Wagon	1.6	09.86-10.95	63	B6/B65M /B6E
	1.6 4x4	05.90-03.93	63	B65M /B6E
323 C IV (BG)	1.3	09.89-07.94	49	B3E
	1.3 16V	09.89-07.94	54	B3 (16V)
	1.6	09.89-06.91	62	B6E
	1.6 16V	03.91-10.94	65	B6
323 CV (BA)	1.3 16V	08.94-09.98	54	B3 (16V)
323 F IV (BG)	1.6	09.89-06.91	62	B6E
	1.6 16V	03.91-10.94	65	B6
323 S IV (BG)	1.3	09.89-06.91	49	B3E/B383

CL507

CL507

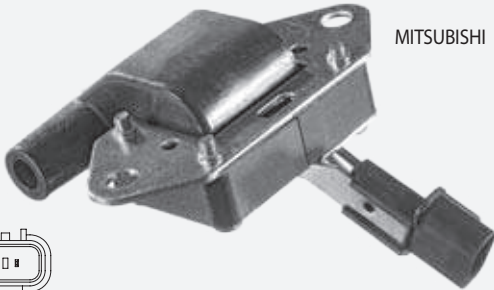
< CL507

MAZDA

323 S IV (BG)	1.3 16V	04.91-07.94	54	B3 (16V)
	1.6	09.89-06.91	62	B6E
	1.6 16V	08.89-10.94	65	B6
323 SV (BA)	1.3 16V	08.94-09.98	54	B3 (16V)

CL508

DIN	OEM-No.
	HYUNDAI 27301-24510
	27301-24520
	MITSUBISHI 27301-24520
	MD114994



HYUNDAI

Lantra I (J-1)	1.5 i.e.	10.90-11.95	63	G15B/G4DJ
Pony (X-2)	1.3	10.89-01.95	43	G4DG
	1.3	10.89-01.95	49	G4DG
	1.5	10.89-01.95	53	G15B/G4DJ
	1.5 i	10.89-01.95	61	G15B/G4DJ
Pony / Excel Sedan	1.5 i	10.89-01.95	62	G15B/G4DJ
	1.3	01.90-01.95	49	G4DG
	1.5	01.90-01.95	53	G15B/G4DJ
	1.5 i	01.90-01.95	61	G15B/G4DJ
S Coupe (SLC)	1.5 i	01.90-01.95	62	G15B/G4DJ
	1.5 i	02.90-05.96	62	G15B/G4DJ
	1.5 i	04.92-05.96	65	G4EK
	1.5 i Turbo	04.91-05.96	85	G4EK-TC

MITSUBISHI

Colt III (C5_A)	1.5 cat	07.90-05.92	66	4G15 (12V)
	1.5 GLXi	04.88-05.92	62	4G15
Eclipse I (D2_A)	1.8	12.89-03.94	68	4G37
Galant III (E1_A)	2.0 Turbo ECi	06.84-04.90	110	4G63T (SOHC 8V)
Galant IV (E3_A)	2.0	04.89-10.92	80	4G63 (SOHC 8V)
	2.0 4WD	04.89-10.92	80	4G63 (SOHC 8V)
Galant IV Sedan	2.0	11.87-10.92	80	4G63 (SOHC 8V)
	2.0 4WD	12.88-10.92	80	4G63 (SOHC 8V)
	2.0 GTi 16V	11.87-10.92	106	4G63 (DOHC 16V)
	2.0 GTi 16V 4WD	06.88-10.92	106	4G63 (DOHC 16V)
L 300 Bus	2.4	11.90-	82	4G64 (8V)
	2.4 4WD	11.90-	82	4G64 (8V)
Lancer III Stat. Wagon	1.5	09.85-12.87	55	4G15
	1.5	09.88-12.90	61	4G15
	1.5 12V	09.90-12.91	66	4G15 (12V)
Lancer IV	1.8 4WD	08.90-06.92	69	4G37
	1.5	06.88-05.92	62	4G15
	1.5 12V	05.89-05.92	66	4G15 (12V)
	1.8 4WD	09.89-06.92	71	4G37
Lancer IV Sedan	1.5	04.88-05.92	62	4G15 (12V)/4G15
	1.5 12V	05.89-05.92	66	4G15 (12V)
Pajero II	2.4	04.91-10.99	82	4G64 (12V)
Pajero II Canvas Top	2.4	04.91-04.00	82	4G64 (12V)

ignition coils



CL509

DIN	OEM-No.
	NISSAN 22433-51J10
	22433-53J20
	22433-55S10
	22433-56E11
	22433-56E12



INFINITI

G20	2.0	01.90-12.97	85	SR20DE
-----	-----	-------------	----	--------

NISSAN

100 NX (B13)	1.6	03.90-06.92	66	GA16DS	
	1.6 SR	09.93-10.94	75	GA16DE	
	2.0	10.90-10.94	110	SR20DE	
	2.0 GTI	03.91-10.94	105	SR20DE	
200 SX (S14)	2.0 i 16V Turbo	10.93-12.99	147	SR20DET	
	Maxima II (J30)	3.0 i	10.88-06.94	125	VG30E
	Micra I (K10)	1.2	07.86-07.92	40	MA12S
Pick-Up (D21)	2.4 i 12V	10.95-02.98	91	KA24E	
	2.4 i 12V 4WD	10.95-02.98	93	KA24E	
Prairie Pro (M11)	2.0 i	10.88-04.92	72	CA20E	
	2.0 i 4x4	10.88-12.92	72	CA20E	
	2.4 i	04.92-07.94	98	KA24E	
Primera (P10)	2.4 i 4x4	04.92-07.94	98	KA24E	
	1.6	06.90-01.96	66	GA16DS	
	2.0	06.90-04.93	105	SR20DE	
Primera Hatch. (P10)	2.0 16V	06.90-01.96	85	SR20DI	
	2.0 16V 4x4	04.91-06.96	85	SR20DI	
	2.0 GT	06.90-01.96	110	SR20DE	
	2.0 GT 4x4	03.91-04.93	105	SR20DE	
	2.0 i	01.95-06.96	92	SR20DE	
	1.6	06.90-01.96	66	GA16DS	
	1.6	06.90-06.93	71	GA16DS	
2.0	06.90-04.93	105	SR20DE		
Primera Traveller (W10)	2.0	06.90-01.96	110	SR20DE	
	2.0 16V	06.90-01.96	85	SR20DI	
	2.0 16V 4x4	04.91-06.96	85	SR20DI	
	2.0 GT 4x4	03.91-04.93	105	SR20DE	
Serena (C23M)	2.0 i	01.95-06.96	92	SR20DE	
	1.6 i	07.90-03.98	66	GA16DS	
	2.0	07.94-01.98	110	SR20DE	
Sunny III (N14)	2.0 i	07.90-03.98	85	SR20DI	
	1.6 16V	02.93-09.01	71	GA16DE	
	2.0 16V	11.92-09.01	93	SR20DE	
Sunny III Hatchback	1.4 i	10.90-05.95	55	GA14DS	
	1.6 i	10.90-05.95	66	GA16DS	
	1.6 i 16V 4WD	10.90-05.95	66	GA16DS	
Sunny III Liftback (N14)	1.4	10.90-06.95	60	GA14DS	
	1.4 i	10.90-05.95	55	GA14DS	
	1.6 i	10.90-05.95	66	GA16DS	
	2.0 GTi 16V	10.90-05.95	105	SR20DE	
Sunny III Traveller	2.0 GTi-R 4x4	10.90-05.95	162	SR20DET	
	1.4 i	10.90-05.95	55	GA14DS	
	1.6 i	10.90-05.95	66	GA16DS	
Terrano I (WD21)	1.6 i	10.90-05.95	105	SR20DE	
	1.6 16V 4x4	11.90-05.95	66	GA16DS	
Terrano II (R20)	1.6 i	06.91-03.00	66	GA16DS	
	3.0 i 4WD	01.90-12.95	109	VG30E	
	2.4 i 12V 4WD	02.93-06.96	91	KA24E	

CL510

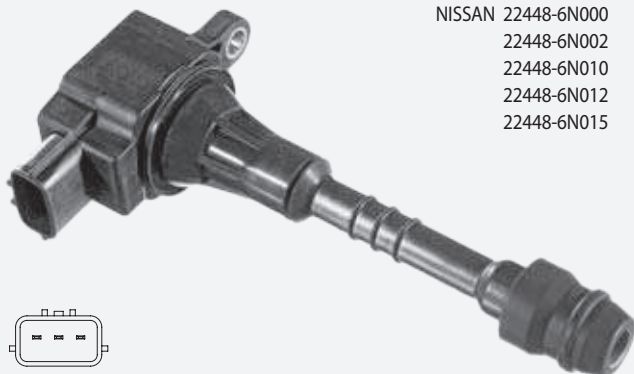
 OEM-No.
 NISSAN 22448-4M500
 22448-4M50A


1 coil per cylinder

NISSAN

Almera II (N16)	1.5	07.00-	66	QG15DE
	1.5	10.02-	72	QG15DE
	1.8	07.00-	84	QG18DE
	1.8	10.02-	85	QG18DE
Almera Tino (V10)	1.8	08.00-	84	QG18DE
	1.8	12.02-	85	QG18DE

CL511

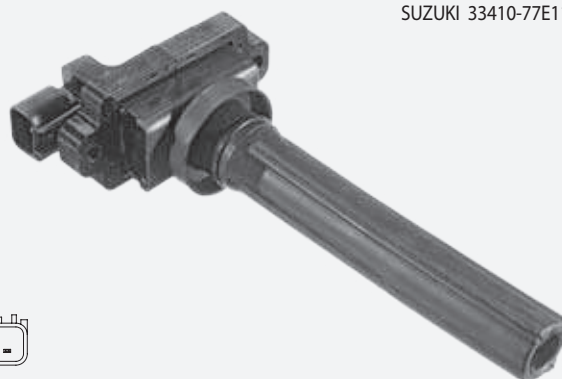
 OEM-No.
 NISSAN 22448-6N000
 22448-6N002
 22448-6N010
 22448-6N012
 22448-6N015


1 coil per cylinder

NISSAN

Almera II (N16)	1.5	07.00-	66	QG15DE
	1.5	10.02-	72	QG15DE
	1.8	07.00-	84	QG18DE
	1.8	10.02-	85	QG18DE
Almera II Hatchback	1.5	03.00-	66	QG15DE
	1.5	10.02-	72	QG15DE
	1.8	01.00-	84	QG18DE
	1.8	10.02-	85	QG18DE
Almera Tino (V10)	1.8	08.00-	84	QG18DE
	1.8	12.02-	85	QG18DE
Primera (P11)	1.6 16V	09.00-12.01	78	QG16DE
	1.8 16V	08.99-12.01	84	QG18DE
Primera (P12)	1.6	03.02-	78	QG16DE
	1.6	01.02-	80	QG16DE
Primera Combi (WP12)	1.6 Visia	01.02-	80	QG16DE
Primera Hatch. (P11)	1.6 16V	09.00-07.02	78	QG16DE
	1.8 16V	08.99-07.02	84	QG18DE
Primera Hatch. (P12)	1.6	07.02-	78	QG16DE
	1.6	07.02-	80	QG16DE
	1.8	07.02-	85	QG18DE
Primera Travel. (WP11)	1.8 16V	08.99-12.01	84	QG18DE

CL512

 OEM-No.
 SUZUKI 33410-77E11


1 coil per cylinder

SUZUKI

Baleno (EG)	1.8 GTX	03.96-05.02	89	J18A
Baleno CC (EG)	1.8 GTX	03.96-05.02	89	J18A
Baleno Combi (EG)	1.8 i 16V	08.96-05.02	89	J18A
Grand Vitara II (JT)	2.0 Allrad	10.05-	103	J20A
Vitara (ET, TA)	2.0 V6 24V Allrad	12.94-03.98	100	H 20 A

CL513

 OEM-No.
 GM 94404545
 TOYOTA 90919-02164

TOYOTA

Avensis (_ T22_)	1.6	09.97-10.00	74	4A-FE
	1.6	09.97-10.00	81	4A-FE
Avensis Liftback	1.6	09.97-10.00	74	4A-FE
	1.6	09.97-10.00	81	4A-FE
Avensis Stat. Wagon	1.6	09.97-10.00	74	4A-FE
	1.6	09.97-10.00	81	4A-FE
Carina II (_ T17_)	1.6	12.87-11.89	66	4A-F
Carina II Sedan	1.6	12.87-08.90	66	4A-F
	1.6	12.87-03.92	72	4A-FE
	1.6	12.87-03.92	75	4A-FE
Carina II Stat. Wagon	1.6	12.87-12.89	66	4A-F
Carina E (_ T19_)	1.6	12.93-09.97	73	4A-FE
	1.6	12.93-09.97	85	4A-FE
	1.6 16V	10.95-09.97	78	4A-FE
	1.6 GLI	04.92-09.97	79	4A-FE
Carina E Sedan	1.6	01.95-09.97	73	4A-FE
	1.6	10.95-09.97	78	4A-FE
	1.6	01.93-09.97	79	4A-FE
	1.6 16V	12.94-09.97	85	4A-FE
Carina E Sportswagon	1.6 GLI	01.93-09.97	79	4A-FE
	1.6 i	02.95-09.97	73	4A-FE
Celica (AT16, ST16)	1.6	04.86-08.89	63	4A-L
Celica (ST20, AT20)	1.8 i 16V	11.93-11.99	85	7A-FE
Celica Liftback	1.6	04.86-08.89	63	4A-L
Corolla (E8)	1.3	10.84-08.87	55	2E-LC/2E-L
	1.6	08.85-08.87	53	4A-LC
	1.6	12.85-05.88	54	4A-LC
	1.6	06.83-08.87	62	4A-L
Corolla (E9)	1.3 i	08.87-12.92	55	2E-E/2E
	1.6	08.87-12.89	66	4A-F
Corolla (E10)	1.3 12V	07.92-04.97	53	2E
	1.3 XLI	09.95-04.97	55	4E-FE

< CL513

TOYOTA

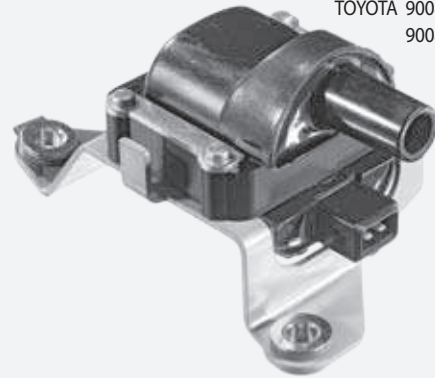
Corolla (E10)	1.3 XLI 16V	07.92-09.95	65	4E-FE
	1.6 Si	09.95-04.97	84	4A-FE
Corolla (E11)	1.4	04.97-02.00	63	4E-FE
	1.6 Aut.	04.97-02.00	79	4A-FE
Corolla Compact (E9)	1.3	08.87-12.89	55	2E
	1.6	08.87-04.92	66	4A-F
Corolla Compact (E10)	1.3 12V	07.92-05.95	53	2E
	1.3 XLI	09.95-04.97	55	4E-FE
	1.3 XLI 16V	07.92-09.95	65	4E-FE
	1.6 Si	07.92-04.97	84	4A-FE
	1.8 GT	11.92-05.95	86	7A-FE
	1.8 GTi 4WD	11.92-04.95	81	7A-FE
Corolla Compact (E11)	1.4	04.97-02.00	63	4E-FE
	1.6	04.97-02.00	81	4A-FE
	1.6 Aut.	04.97-02.00	79	4A-FE
Corolla FX Compact	1.3	08.85-08.87	55	2E-L
Corolla Liftback (E8)	1.3	01.85-08.87	55	2E-LC/2E-L
	1.6	08.85-08.87	54	4A-LC
	1.6	06.83-08.87	62	4A-L
	1.6	07.85-05.88	63	4A-L
Corolla Liftback (E9)	1.3 i	08.87-04.92	55	2E-E/2E
	1.6	08.87-04.92	66	4A-F
Corolla Liftback (E10)	1.3 12V	07.92-05.95	53	2E
	1.3 XLI	07.92-04.97	65	4E-FE
	1.6 GLI	07.92-04.97	84	4A-FE
	1.8 GT	11.92-05.95	86	7A-FE
Corolla Liftback (E11)	1.4	04.97-02.00	63	4E-FE
	1.6	04.97-02.00	81	4A-FE
	1.6 Aut.	04.97-02.00	79	4A-FE
Corolla St. Wagon (E9)	1.3	12.87-06.92	55	2E
	1.6	02.88-05.92	66	4A-F
	1.6	12.87-04.92	70	4A-F
Corolla Wagon (E10)	1.3 12V	07.92-05.95	53	2E
	1.3 XLI	09.95-04.97	55	4E-FE
	1.3 XLI 16V	07.92-09.95	65	4E-FE
	1.6 Si	07.92-04.97	84	4A-FE
	1.8 16V 4WD	09.95-04.97	81	7A-FE
	1.4	04.97-02.00	63	4E-FE
Corolla Wagon (E11)	1.6	04.97-02.00	81	4A-FE
	1.6 Aut.	04.97-02.00	79	4A-FE
	2.0	02.90-08.95	74	1RZ
Hiace III Van	2.4	08.89-08.95	88	2RZ-E
	2.4 4WD	08.89-08.95	88	2RZ-E
	2.0	08.89-04.98	74	1RZ
Hiace III Wagon	2.4	08.89-08.95	88	2RZ-E
	2.4 4WD	08.89-08.95	88	2RZ-E
	2.4	08.95-04.98	85	2RZ-E
Hiace IV Bus	2.4 4WD	08.95-04.98	85	2RZ-E
	2.4	08.95-02.05	85	2RZ-E
Hiace IV Van	2.4 4WD	08.95-04.98	85	2RZ-E
	1.3	10.84-12.89	55	2E-LC
Starlet (_P7_)	1.0	12.89-12.92	40	1E
	1.3 12V	12.89-12.92	55	2E-E/2E
	1.3 12V cat	12.89-03.96	55	2E-E
Starlet (EP91)	1.3	04.96-03.99	55	4E-FE

CL514

PIN

OEM-No.

TOYOTA 90080-19005
90080-19005 00



TOYOTA

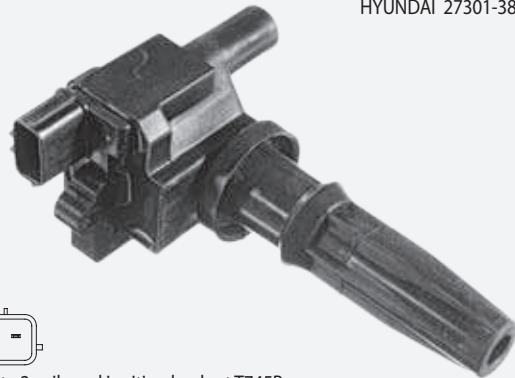
Avensis (_T22_)	1.6	09.97-10.00	74	4A-FE
	1.6	09.97-10.00	81	4A-FE
Avensis Liftback	1.6	09.97-10.00	74	4A-FE
	1.6	09.97-10.00	81	4A-FE
Avensis Station Wagon	1.6	09.97-10.00	74	4A-FE
	1.6	09.97-10.00	81	4A-FE
Carina E (_T19_)	1.6	12.93-09.97	73	4A-FE
	1.6	12.93-09.97	85	4A-FE
	1.6 16V	10.95-09.97	78	4A-FE
Carina E Sedan	1.6 GLI	04.92-09.97	79	4A-FE
	1.6	01.95-09.97	73	4A-FE
	1.6	10.95-09.97	78	4A-FE
Carina E Sportswagon	1.6	01.93-09.97	79	4A-FE
	1.6 16V	12.94-09.97	85	4A-FE
	1.6 i	02.95-09.97	73	4A-FE

CL515

DIN

OEM-No.

HYUNDAI 27301-38020



semidirect - 2 coils and ignition lead set T745B

HYUNDAI

H-1 / Starex	2.4	08.01-04.04	82	G4CS
	2.4 4WD	08.01-04.04	82	G4CS
	2.4 4WD	06.01-04.04	99	G4JS
Santa Fé I (SM)	2.0	08.01-03.06	99	G4BP
	2.4 16V	02.01-03.06	100	G4JS-G
	2.4 16V	02.01-03.06	107	G4JS-G
	2.4 16V 4x4	02.01-03.06	100	G4JS-G
	2.4 16V 4x4	02.01-03.06	107	G4JS-G
Sonata IV (EF)	2.0 16V	10.01-11.04	96	G4JP-EG
	2.0 16V	06.98-10.01	100	G4JP-G
	2.4 16V	03.98-10.01	105	G4BS
Trajet (FO)	2.0	02.04-07.08	100	G4JP-G
	2.0	02.04-07.08	103	G4GC-G
Tucson (JM)	2.0	08.04-03.10	104	G4GC
	2.0 Allrad	08.04-03.10	104	G4GC

KIA

Magentis (GD)	2.0	05.01-	100	G4JP
Sorento I (JC)	2.4	08.02-	102	G4JS

CL519

DIN OEM-No.
HYUNDAI 27301-02502

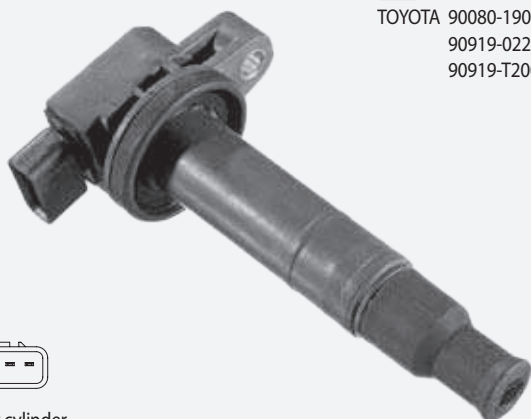


HYUNDAI

Atos (MX)	1.0 i	02.98-08.00	40	G4HC
Atos Prime (MX)	1.0 i	08.99-08.00	40	G4HC

CL520

OEM-No.
TOYOTA 90080-19021
90919-02240
90919-T2003



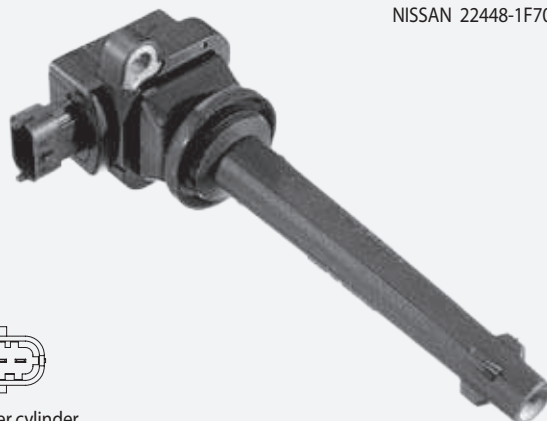
1 coil per cylinder

TOYOTA

Corolla St. Wagon	1.5 Hybrid	10.14-	54	1NZ-FXE
IQ	1.0	01.09-	50	1KR-FE
Prius Liftback	1.5	08.03-03.09	57	1NZ-FXE
Prius Sedan	1.5 Hybrid	05.00-01.04	53	1NZ-FXE
Prius C (NHP10_)	1.5 Hybrid	02.12-	54	1NZ-FXE
Yaris (_P1_)	1.0 16V	03.03-09.05	48	1SZ-FE
	1.0 16V	04.99-09.05	50	1SZ-FE
	1.3	04.02-09.05	64	2SZ-FE
	1.3 16V	11.99-09.05	63	2NZ-FE
	1.5 TS	01.03-09.05	77	1NZ-FE
	1.5 VVT-i TS	04.01-09.05	78	1NZ-FE
1.5 VVT-i TS	03.03-07.05	110	1NZ-FE	
Yaris (_P9_)	1.3 VVT-i	08.05-	64	2NZ-FE/2SZ-FE
	1.33 VVT-i	07.10-	73	1NR-FE
	1.33 VVT-i	03.09-	74	1NR-FE
Yaris Verso	1.3	11.02-09.05	62	2NZ-FE
	1.3	08.99-10.02	63	2NZ-FE
	1.5	05.03-09.05	77	1NZ-FE
	1.5	03.00-09.05	78	1NZ-FE
	1.5 4WD	03.00-09.05	78	1NZ-FE

CL521

OEM-No.
NISSAN 22448-1F700



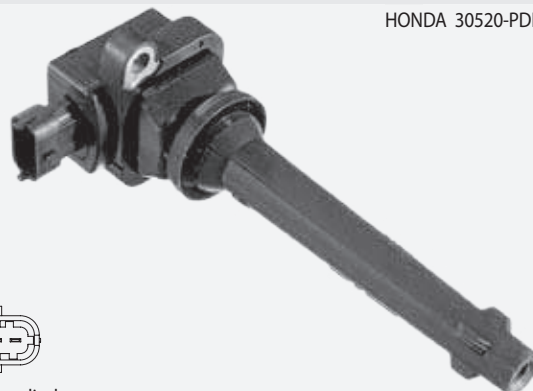
1 coil per cylinder

NISSAN

Micra II (K11)	1.0 i 16V	07.00-09.00	40	CG10DE
	1.0 i 16V	09.00-02.03	44	CG10DE
	1.3 i 16V	08.92-09.00	55	CG13DE
	1.4 i 16V	09.00-02.03	60	CGA3DE

CL522

OEM-No.
HONDA 30520-PDF-E11



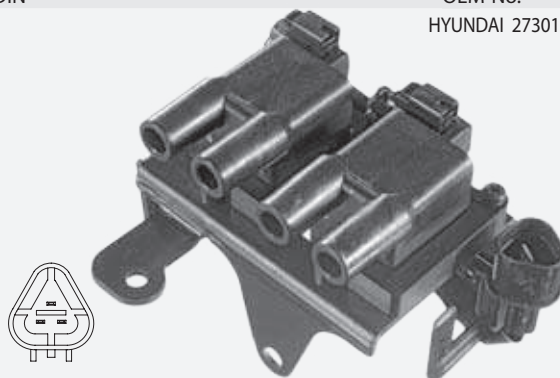
1 coil per cylinder

HONDA

Accord VI (CG, CK)	1.6 i	10.98-12.02	85	D16B6
--------------------	-------	-------------	----	-------

CL523

DIN OEM-No.
HYUNDAI 27301-02600



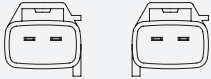
HYUNDAI

Atos (MX)	1.0 i	08.00-03.02	40	G4HC
	1.0 i	03.01-	43	G4HC-E
Atos Prime (MX)	1.0 i	08.00-	40	G4HC
	1.0 i	03.01-	43	G4HC-E
	1.1	06.03-	43	G4HD

CL524

CL524

DIN OEM-No.
HYUNDAI 27301-22600



HYUNDAI

DIN	Year	Month	Day	Code	Part No.
Accent II (LC)	1.3	01.00	11.05	55	G4EA
	1.3	01.00	11.05	61	G4EA
	1.3	08.02	11.05	62	G4EH
	1.3	01.00	11.05	63	G4EA
Accent II Sedan	1.3	01.00	11.05	55	G4EA
	1.3	01.00	11.05	63	G4EA
Getz (TB)	1.3	09.03	09.05	63	G4EA
	1.3 i	09.02	03.04	60	G4EA

CL525

DIN OEM-No.
HYUNDAI 27301-32800
27301-32810
27301-32820
MITSUBISHI MD 104696



HYUNDAI

DIN	Year	Month	Day	Code	Part No.
H-1 / Starex	2.4	06.97	07.01	82	G4CS
	2.4 4WD	02.98	07.01	82	G4CS
H-1 Van	2.4	03.00	04.04	82	G4CS
	2.4	01.97	03.00	84	G4CS
H100 Bus (P)	2.4	07.93	03.00	90	G4CS
	2.4	10.97	12.04	82	G4CS
	2.4	07.93	07.97	90	G4CS
Sonata II (Y-2)	3.0 iV6	01.91	10.93	107	G6AT
Sonata III (Y-3)	1.8 i	05.93	06.98	72	G4CM
	2.0 i	08.96	06.98	70	G4EP
	2.0 i	06.94	08.96	77	G4CP
	3.0 iV6	05.93	06.98	107	G6AT

MITSUBISHI

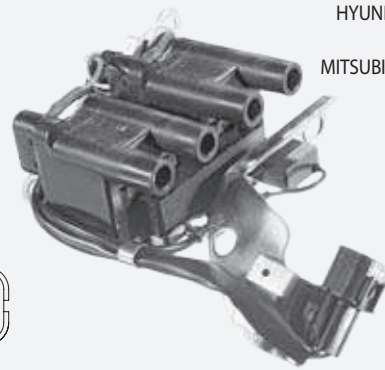
Galant IV (E3_A)	2.0	04.89	10.92	80	4G63 (SOHC 8V)
	2.0 4WD	04.89	10.92	80	4G63 (SOHC 8V)
Galant IV Sedan	2.0	11.87	10.92	80	4G63 (SOHC 8V)
	2.0 4WD	12.88	10.92	80	4G63 (SOHC 8V)
Sapporo III (E16A)	2.4	06.87	08.90	91	4G64 (8V)

ignition coils



CL526

DIN OEM-No.
HYUNDAI 27301-33010
27301-33020
MITSUBISHI MD 126461



HYUNDAI

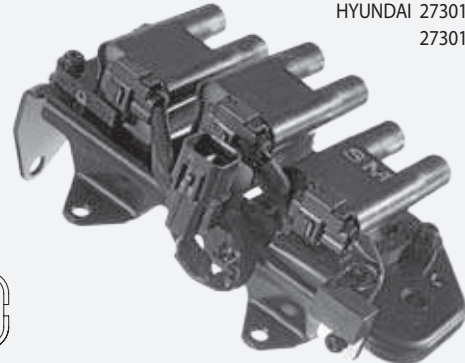
Lantra I (J-1)	1.6 i.e. 16V	10.90	11.95	78	G4CR
	1.6 i.e. 16V	10.90	11.95	84	G4CR
	1.8 i.e. 16V	10.90	11.95	93	G4CN
Sonata II (Y-2)	2.0 i	01.91	10.93	80	G4CP-U
	2.0 i 16V	01.91	10.93	96	G4CP-D
Sonata III (Y-3)	2.0 i 16V	06.96	06.98	92	G4CP-DM
	2.0 i 16V	05.93	06.98	102	G4CP-D

MITSUBISHI

Colt III (C5_A)	1.6 GTi 16V	04.88	05.90	91	4G61
Galant IV (E3_A)	2.0 GTi 16V	11.88	10.92	106	4G63 (DOHC 16V)
	2.0 GTi 16V	11.88	10.92	107	4G63 (DOHC 16V)
	2.0 GTi 16V 4x4	07.89	12.92	106	4G63 (DOHC 16V)
Galant IV Sedan	2.0 GTi 16V	11.87	10.92	106	4G63 (DOHC 16V)
	2.0 GTi 16V	11.88	10.92	107	4G63 (DOHC 16V)
	2.0 GTi 16V 4WD	06.88	10.92	106	4G63 (DOHC 16V)

CL527

DIN OEM-No.
HYUNDAI 27301-37110
27301-37120

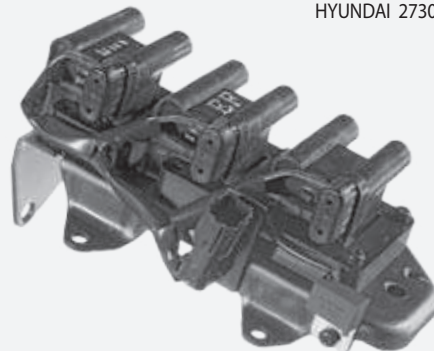


HYUNDAI

Coupe (GK)	2.7 V6	01.07	08.09	121	G6BA-G
	2.7 V6	03.02	08.09	123	G6BA-G
Santa Fé I (SM)	2.7 V6 4x4	02.01	03.06	127	G6BA-G

CL528

DIN OEM-No.
HYUNDAI 27301-37100



HYUNDAI

Sonata IV (EF)	2.5 V6 24V	06.98	10.01	118	G6BV-G
	2.7 V6	10.01	11.04	127	G6BA-G

< CL528

HYUNDAI

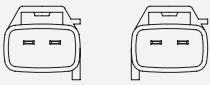
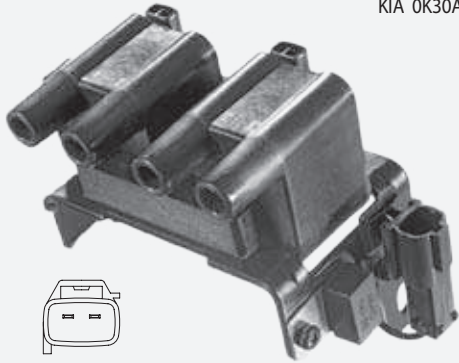
Trajet (FO)	2.7 V6	09.00-07.08	127	G6BA-G
-------------	--------	-------------	-----	--------

KIA

Magentis (GD)	2.5 V6	05.01-	124	G6BV
---------------	--------	--------	-----	------

CL529

DIN	OEM-No.
	KIA 0K30A 18 10X

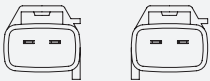
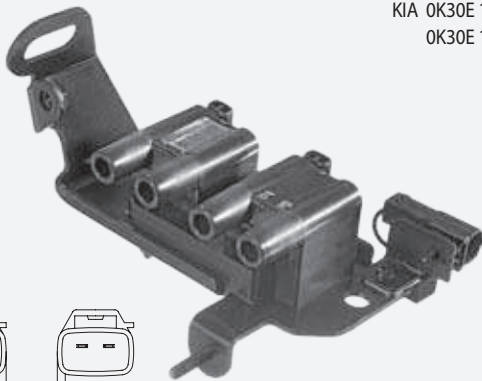


KIA

Rio Combi (DC)	1.3	08.00-02.05	55	A3E
	1.3	08.00-02.05	60	A3E
Rio Sedan (DC_)	1.3	09.00-02.05	55	A3E
	1.3	08.02-02.05	60	A3E

CL530

DIN	OEM-No.
	KIA 0K30E 18 10X 0K30E 18 10XZ

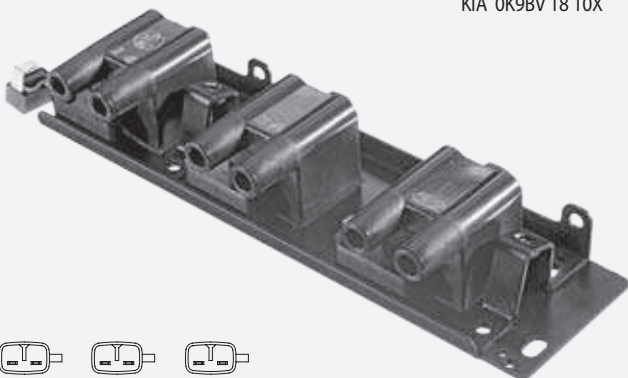


KIA

Carens II (FJ)	1.6	04.03-09.05	77	GA6D
Rio Combi (DC)	1.5 16V	09.02-02.05	71	A5D
	1.5 16V	08.00-02.05	72	A5D
Rio Sedan (DC_)	1.5 16V	09.00-02.05	72	A5D
Shuma II (FB)	1.6	05.01-08.04	75	GA6D
Shuma II Sedan	1.6	05.01-05.04	75	GA6D

CL531

DIN	OEM-No.
	KIA 0K9BV 18 10X

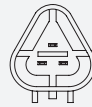


KIA

Carnival I (UP)	2.5 V6	08.99-10.01	121	KRV6
Carnival II (GQ)	2.5 V6	10.01-	110	K5

CL532

DIN	OEM-No.
	KIA 27301-33510 27301-33520



HYUNDAI

Santamo	2.0 16V	05.99-	102	G4JP
	2.0 16V 4x4	05.99-	102	G4CP

KIA

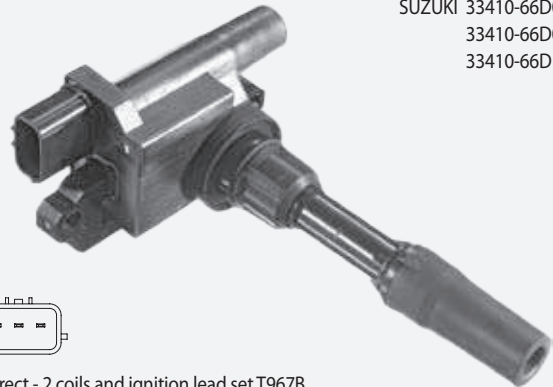
Joice	2.0	09.01-	88	G4CP
	2.0	02.00-	102	G4CP

MITSUBISHI

Santamo	2.0 16V	05.99-12.04	102	4G63 (DOHC 16V)
	2.0 16V 4WD	05.99-12.04	102	4G63 (DOHC 16V)

CL533

DIN	OEM-No.
	SUZUKI 33410-66D00 33410-66D01 33410-66D10



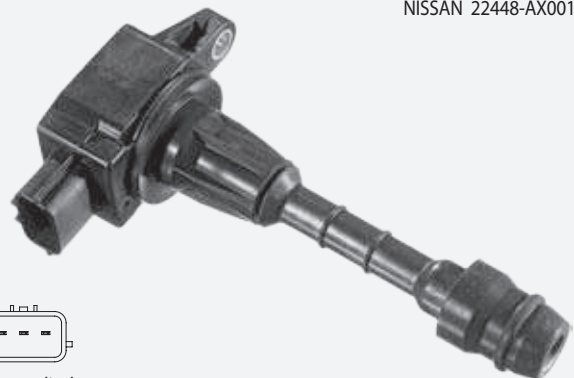
semidirect - 2 coils and ignition lead set T967B

SUZUKI

Grand Vitara I (FT)	1.6 4x4	03.98-07.03	69	G16B
Jimny (FJ)	1.3 16V	09.98-	59	G13BB
	1.3 16V 4WD	09.98-	59	G13BB

CL534

	OEM-No.
	NISSAN 22448-AX001



1 coil per cylinder

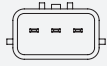
NISSAN

Micra C+C (K12)	1.4 16V	08.05-	65	CR14DE
Micra III (K12)	1.0 16V	01.03-06.10	48	CG10DE
	1.2 16V	01.03-06.10	48	CR12DE/CG12DE
	1.2 16V	01.03-06.10	59	CR12DE/CG12DE
	1.4 16V	01.03-06.10	65	CR14DE
Note (E11)	1.4	03.06-	65	CR14DE

CL535

CL535

OEM-No.
NISSAN 22448-31U01
22448-31U11
22448-31U00



3 coils per vehicle (with coil CL536-3 pcs)

INFINITI

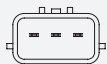
I30	3.0	01.97-	142	VQ30DE
-----	-----	--------	-----	--------

NISSAN

Maxima QX (A32)	2.0	02.95-08.00	103	VQ20DE
	2.5 V6 24V	02.95-08.00	140	VQ25DE
	3.0	01.95-08.00	142	VQ30DE
Maxima QX (A33)	2.0 V6 24V	03.00-11.03	103	VQ20DE
	2.5 V6 24V	03.00-11.03	154	VQ25DE
	3.0 V6 24V	03.00-11.03	147	VQ30DE
Maxima St. Wagon	2.0 QX	10.97-	103	VQ20DE
	2.5 V6 24V	10.97-	140	VQ25DE
	3.0 QX	10.97-	142	VQ30DE

CL536

OEM-No.
NISSAN 22448-31U06
22448-31U16
22448-31U05



3 coils per vehicle (with coil CL535-3 pcs)

INFINITI

I30	3.0	01.97-	142	VQ30DE
-----	-----	--------	-----	--------

NISSAN

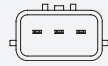
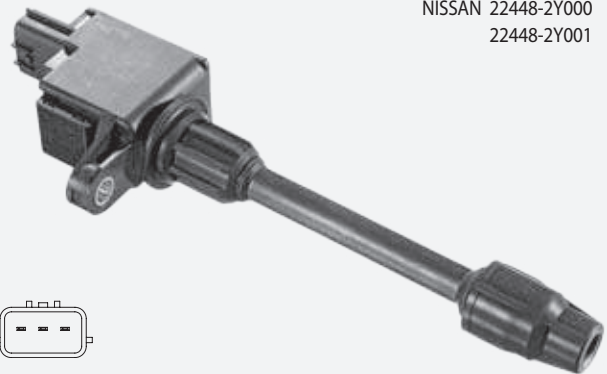
Maxima QX (A32)	2.0	02.95-08.00	103	VQ20DE
	2.5 V6 24V	02.95-08.00	140	VQ25DE
	3.0	01.95-08.00	142	VQ30DE
Maxima QX (A33)	2.0 V6 24V	03.00-11.03	103	VQ20DE
	2.5 V6 24V	03.00-11.03	154	VQ25DE
	3.0 V6 24V	03.00-11.03	147	VQ30DE
Maxima St. Wagon	2.0 QX	10.97-	103	VQ20DE
	2.5 V6 24V	10.97-	140	VQ25DE
	3.0 QX	10.97-	142	VQ30DE

ignition coils



CL537

OEM-No.
NISSAN 22448-2Y000
22448-2Y001



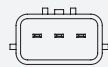
3 coils per vehicle (with coil CL538-3 pcs)

NISSAN

Maxima II (J30)	3.0 i	10.88-06.94	125	VG30E
-----------------	-------	-------------	-----	-------

CL538

OEM-No.
NISSAN 22448-2Y005



3 coils per vehicle (with coil CL537-3 pcs)

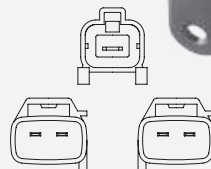
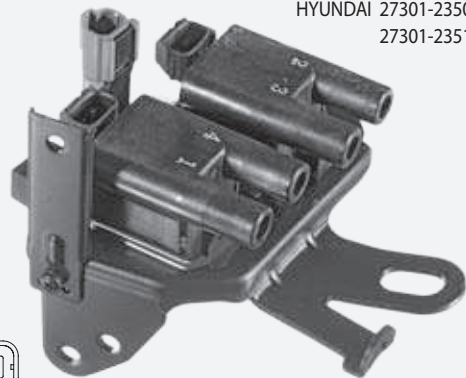
NISSAN

Maxima II (J30)	3.0 i	10.88-06.94	125	VG30E
-----------------	-------	-------------	-----	-------

CL539

DIN

OEM-No.
HYUNDAI 27301-23500
27301-23510

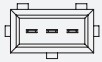
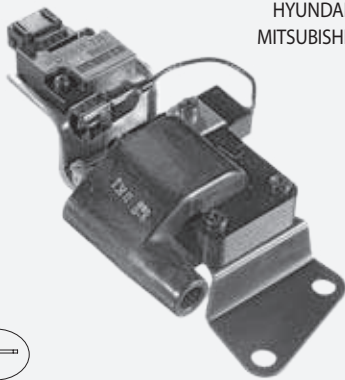


HYUNDAI

Coupe (GK)	2.0	08.01-08.09	100	G4GC-G
	2.0	03.02-08.09	102	G4GC-G
	2.0 GLS	02.03-08.09	105	G4GC-G
Elantra (XD)	1.8	06.00-07.06	97	G4BB
	2.0	06.00-07.06	102	G4GC-G
	2.0	06.00-07.06	104	G4GC
Elantra Sedan	1.8	06.00-07.06	97	G4BB
	2.0	06.00-07.06	102	G4GC-G
	2.0	06.00-07.06	104	G4GC
Matrix (FC)	1.8	06.01-08.10	90	G4GB-G

CL540

OEM-No.
HYUNDAI HQ808700
MITSUBISHI HQ808700



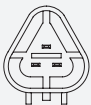
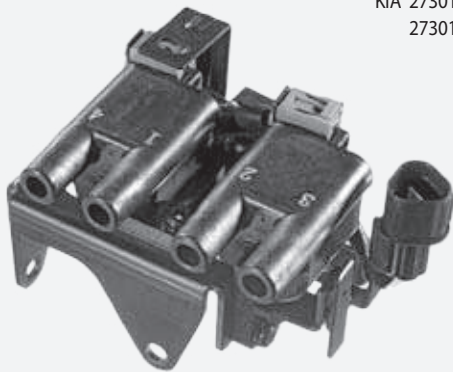
HYUNDAI

Galoper I	3.0 V6	08.91-07.98	104	6G72
-----------	--------	-------------	-----	------

CL541

DIN OEM-No.

KIA 27301-02700
27301-02710



HYUNDAI

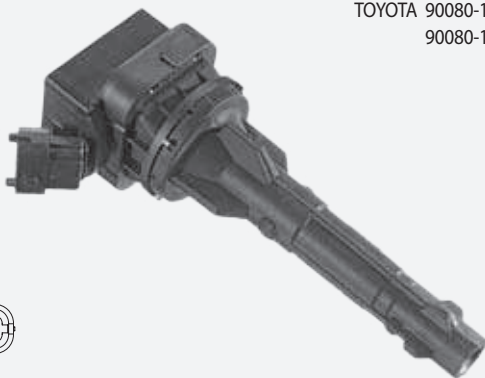
Atos (MX)	1.1	03.04-	46	G4HG
Atos Prime (MX)	1.1	09.05-	46	G4HG
i10 (PA)	1.1	01.08-	49	G4HG
	1.1	04.11-	51	G4HG

KIA

Picanto (BA)	1.0	04.04-	45	G4HE
	1.0	11.09-	46	G4HE
	1.1	04.04-	48	G4HG

CL542

OEM-No.
TOYOTA 90080-19017
90080-1901700



1 coil per cylinder

TOYOTA

Aygo (WNB1, KGB1)	1.0	07.05-	50	1KR-FE
Corolla (E11)	1.4 16V	02.00-11.01	71	4ZZ-FE
Corolla Compact (E11)	1.4	02.00-01.02	71	4ZZ-FE
Corolla Liftback (E11)	1.4	02.00-01.02	71	4ZZ-FE
Corolla Wagon (E11)	1.4 16V	02.00-10.01	71	4ZZ-FE
Yaris (_P9_)	1.0 VVT-i	08.05-	51	1KR-FE

CL543

DIN OEM-No.

MITSUBISHI MD113551
MD131711



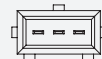
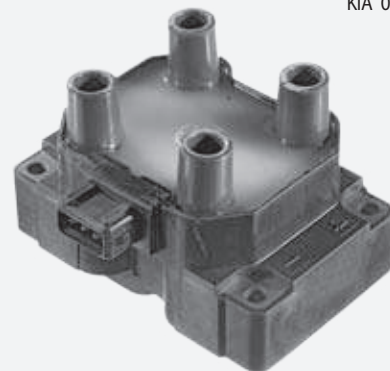
MITSUBISHI

Pajero I	3.0 V6	11.88-11.90	104	6G72 (SOHC 12V)
Pajero I Canvas Top	2.6	01.83-11.90	76	4G54
Pajero II	3.0 V6 4WD	12.90-12.95	110	6G72 (SOHC 12V)
Pajero II Canvas Top	3.0 V6	12.90-12.95	110	6G72 (SOHC 12V)

CL544

PIN OEM-No.

KIA 0K011 18 100



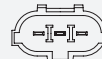
KIA

Sportage (K00)	2.0 i 4WD	04.94-08.99	70	FE (8V)
----------------	-----------	-------------	----	---------

CL545

DIN OEM-No.

KIA 0K9A2 18 10XB



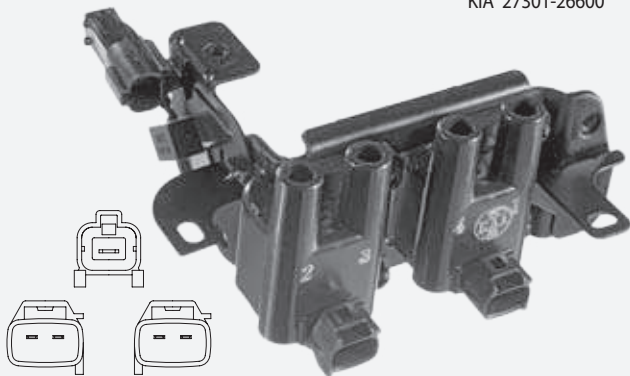
KIA

CLarus (K9A)	2.0 i 16V	07.96-	98	FE (16V)
CLarus Combi (GC)	2.0 i 16V	05.98-	98	FE (16V)

CL546

CL546

DIN OEM-No.
KIA 27301-26600



HYUNDAI

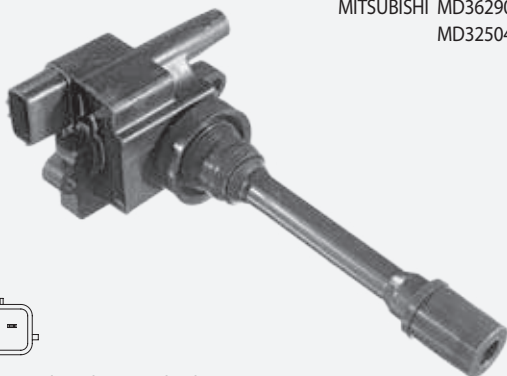
Accent II (LC)	1.6	12.02-11.05	77	G4ED-G
Accent II Sedan	1.6	12.02-11.05	77	G4ED-G
Accent III (MC)	1.4 GL	11.05-11.10	71	G4EE
	1.6 GLS	11.05-11.10	82	G4ED
Accent III Sedan	1.4 GL	11.05-11.10	71	G4EE
	1.6 GLS	11.05-11.10	82	G4ED
Coupe (GK)	1.6 16V	03.02-08.09	77	G4ED-G
	1.6 16V	03.02-08.09	79	G4ED-G
Elantra (XD)	1.6	05.03-07.06	77	G4ED-G
	1.6	06.00-07.06	79	G4ED-G
Elantra Sedan	1.6	05.03-07.06	77	G4ED-G
	1.6	06.00-07.06	79	G4ED-G
Getz (TB)	1.6	09.02-09.05	77	G4ED-G
	1.6	08.05-	78	G4ED-G
Matrix (FC)	1.6	06.01-08.10	76	G4ED-G
	1.6	01.02-12.05	66	G4ED-L

KIA

Cerato (LD)	1.6	07.04-	77	G4ED
Cerato Sedan	1.6	04.04-	77	G4ED
Rio II (JB)	1.4 16V	03.05-	71	G4EE
	1.6 CVVT	03.05-	82	G4ED
Rio II Sedan	1.4 16V	03.05-	71	G4EE
	1.6 16V	03.05-	82	G4ED

CL547

DIN Ø5 OEM-No.
MITSUBISHI MD362907
MD325048



semidirect - 2 coils and ignition lead set T533P

MITSUBISHI

Carisma (DA_)	1.6	05.96-06.06	66	4G92
	1.6	01.00-06.06	70	4G92
	1.6	05.97-06.06	73	4G92
	1.6	09.00-06.06	76	4G92
	1.8	05.96-06.06	85	4G93
	1.8 16V	07.95-06.06	103	4G93
Carisma Sedan	1.3	09.00-10.04	55	4G13 (12V)
	1.6	09.96-06.06	66	4G92
	1.6	01.00-06.06	70	4G92
	1.6	05.97-06.06	73	4G92
	1.6	09.00-06.06	76	4G92
	1.8	09.96-06.06	85	4G93
Colt IV (CA_A)	1.6	03.96-04.96	66	4G92

ignition coils



< CL547

MITSUBISHI

Colt V (CJ_, CP_)	1300	09.00-09.03	60	4G13 (16V)
	1600	09.00-09.03	76	4G92
	1600 GLX	05.96-09.00	66	4G92
Galant VI (EA_)	2.0	09.00-10.04	98	4G63 (SOHC 16V)
	2.0	09.96-09.00	100	4G63 (SOHC 16V)
	2.4 GDI	09.00-10.04	106	4G64 (GDI)
	2.4 GDI	02.99-09.00	110	4G64 (GDI)
Galant VI Stat. Wagon	2.0	09.96-09.00	100	4G63 (SOHC 16V)
	2.0	09.00-10.03	98	4G63 (SOHC 16V)
	2.4 GDI	09.00-10.03	106	4G64 (GDI)
	2.4 GDI	02.99-10.03	110	4G64 (GDI)
Lancer VI (CJ-CP_)	1.6 16V	12.95-08.03	66	4G92
Lancer Combi (CS_W)	2.0	09.03-12.07	99	4G63 (DOHC 16V)
Lancer Sedan (CS_A)	2.0	12.03-	99	4G63 (DOHC 16V)
Outlander I (CU_W)	2.4 4WD	05.03-10.06	102	4G64 (SOHC 16V)
Pajero II Canvas Top	1.8 GDI	06.98-04.00	96	4G93 (GDI)
Pajero Pinin	1.8	11.01-06.07	84	4G93
	1.8 GDI	10.99-06.07	88	4G93 (GDI)
Space Runner (N6_W)	2.0	08.99-08.02	100	4G63 (DOHC 16V)
Space Star (DG_A)	1.8 GDI	06.98-12.04	87	4G93 (GDI)
	1.8 GDI	06.98-12.04	90	4G93 (GDI)
	1.8 MPI	10.02-12.04	82	4G93
Space Wagon (N3_W)	2.0	10.92-10.98	98	4G63 (DOHC 16V)
	2.0 4WD	10.92-10.98	98	4G63 (DOHC 16V)
Space Wagon (N9_W)	2.0 GDI	10.98-12.04	98	4G63 (SOHC 16V)
	2.4 GDI	10.98-12.04	110	4G64 (GDI)
	2.4 GDI	09.00-12.04	108	4G64 (GDI)
	2.4 GDI 4WD	10.98-12.04	110	4G64 (GDI)
	2.4 GDI 4WD	09.00-12.04	108	4G64 (GDI)

CL548

PIN OEM-No.
KIA 0K013 18 100



semidirect - 2 coils and ignition lead set T108B

KIA

Sportage (K00)	2.0	10.00-08.03	87	FE (16V)
	2.0 4WD	10.00-08.03	87	FE (16V)
	2.0 i 16V	10.99-08.03	94	FE (16V)
	2.0 i 16V 4WD	04.94-08.03	94	FE (16V)

CL549

OEM-No.
MITSUBISHI MD 362913



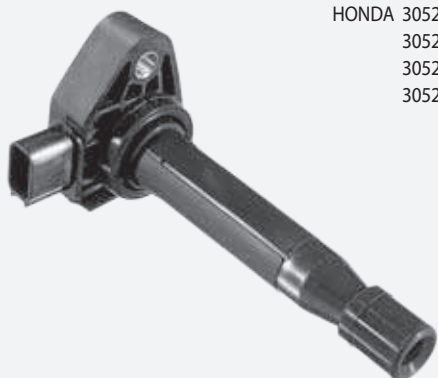
1 coil per cylinder

MITSUBISHI

Carisma (DA_)	1.8 GDI	10.00-06.06	90	4G93 (GDI)
	1.8 16V	07.95-06.06	103	4G93

< CL549
MITSUBISHI

Carisma (DA_)	1.8 16V GDI	09.97-06.06	92	4G93 (GDI)
Carisma Sedan	1.8 GDI	10.00-06.06	90	4G93 (GDI)
	1.8 16V GDI	09.97-06.06	92	4G93 (GDI)
Pajero Pinin	1.8	11.01-06.07	84	4G93
	1.8 GDI	10.99-06.07	88	4G93 (GDI)
	2.0 GDI	10.00-06.07	95	4G94 (GDI)
Space Star (DG_A)	1.8 GDI	06.98-12.04	87	4G93 (GDI)
	1.8 GDI	06.98-12.04	90	4G93 (GDI)

CL550


OEM-No.

 HONDA 30520-P8E-A01
 30520-P8F-A01
 30520-P8F-A02
 30520-RCA-A02


1 coil per cylinder

HONDA

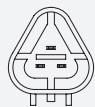
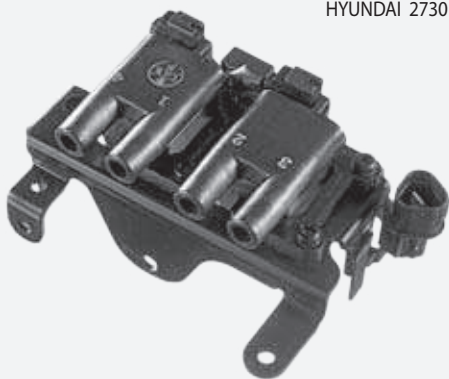
Accord VI Coupe	3.0 V6 24V	02.98-06.03	147	J30A1
Civic VII Coupe (EM2)	1.7 i	05.01-12.05	88	D17A8
	1.7 i VTEC	05.01-12.05	92	D17A5/D17A9
Civic VII Sedan (ES)	1.7	02.01-09.05	85	D17A6
FR-V (BE)	1.7	08.04-	92	D17A2
Legend IV (KB_)	3.5 V6 4WD	05.06-	217	J35A8/C35A8
Stream (RN)	1.7 16V	05.01-	92	D17A2

CL551

DIN

OEM-No.

HYUNDAI 27301-02100

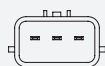
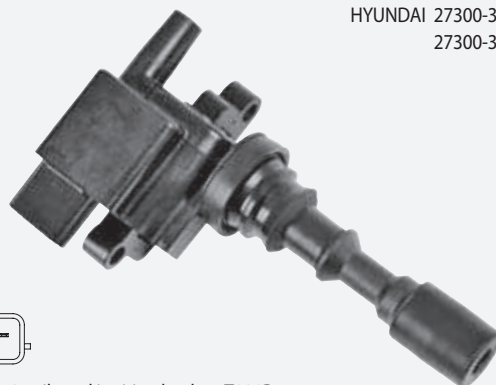

HYUNDAI

Getz (TB)	1.1	09.02-09.05	46	G4HD
	1.1	09.05-06.09	49	G4HD

CL552

DIN Ø5

OEM-No.

 HYUNDAI 27300-39000
 27300-39050


semidirect - 3 coils and ignition lead set T238P

HYUNDAI

XG (XG)	30	12.98-12.05	138	G6CT-G
	350	10.02-12.05	145	G6CU

KIA

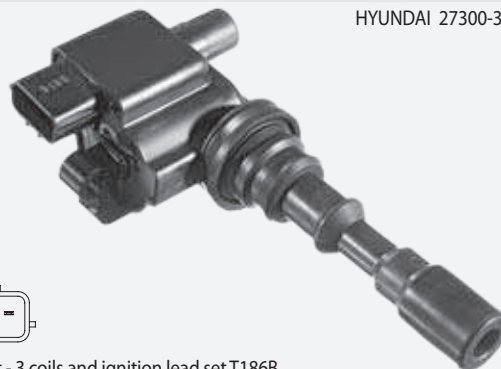
Carnival II (GQ)	3.5	07.02-	143	G6CU
Sorento I (JC)	3.5 V6 4WD	08.02-	143	G6CU

CL553

PIN

OEM-No.

HYUNDAI 27300-39700



semidirect - 3 coils and ignition lead set T186B

KIA

Opirus (GH)	3.5	09.03-	149	G6CU
-------------	-----	--------	-----	------

CL554

OEM-No.

 NISSAN 22448ED800
 22448ED800EP

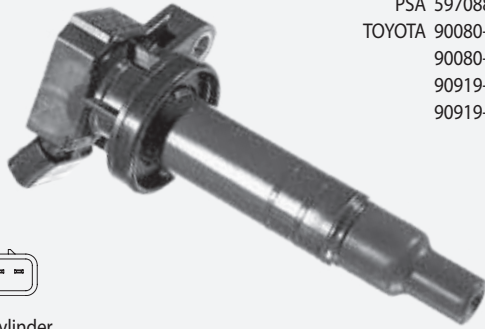

1 coil per cylinder

NISSAN

Cube (Z12)	1.6 16V	03.10-	81	HR16DE
Micra C+C (K12)	1.6 160 SR	08.05-	81	HR16DE
Micra III (K12)	160 SR 1.6	05.05-06.10	81	HR16DE
Note (E11)	1.6	03.06-	81	HR16DE
Qashqai / Qashqai +2	1.6	02.07-	84	HR16DE
Tiida CC (C11X)	1.6	09.07-	81	HR16DE
	1.8	09.07-	93	MR18DE
Tiida Sedan (SC11X)	1.6	09.07-	81	HR16DE
	1.8	09.07-	93	MR18DE
X-Trail (T31)	2.0	06.08-	103	MR20DE
	2.0	06.07-	104	MR20DE
	2.0 FWD	06.08-	103	MR20DE
	2.0 FWD	03.07-	104	MR20DE

CL555

CL555



OEM-No.
PSA 597088
TOYOTA 90080-19015
90080-19019
90919-T2002
90919-02239



1 coil per cylinder

CITROEN

C1 (PM_, PN_)	1.0	06.05-	50	1KR-FE
---------------	-----	--------	----	--------

DAIHATSU

Cuore VIII	1.0	04.07-	51	1KR-FE
------------	-----	--------	----	--------

PEUGEOT

107	1.0	06.05-	50	1KR (384 F)
-----	-----	--------	----	-------------

SUBARU

Justy IV	1.0	01.07-	51	1KR-FE
----------	-----	--------	----	--------

TOYOTA

Auris	1.4 VVTi	03.07-	71	4ZZ-FE
-------	----------	--------	----	--------

Avensis (_T22_)	1.6 VVT-i	10.00-02.03	81	3ZZ-FE
-----------------	-----------	-------------	----	--------

	1.8 VVT-i	10.00-02.03	95	1ZZ-FE
--	-----------	-------------	----	--------

Avensis (T25_)	1.6 VVT-i	04.03-11.08	81	3ZZ-FE
----------------	-----------	-------------	----	--------

	1.8	04.03-11.08	95	1ZZ-FE
--	-----	-------------	----	--------

Avensis Combi (T25)	1.6 VVT-i	04.03-11.08	81	3ZZ-FE
---------------------	-----------	-------------	----	--------

	1.8	04.03-11.08	95	1ZZ-FE
--	-----	-------------	----	--------

Avensis Liftback (T22)	1.6 VVT-i	10.00-02.03	81	3ZZ-FE
------------------------	-----------	-------------	----	--------

	1.8 VVT-i	10.00-02.03	95	1ZZ-FE
--	-----------	-------------	----	--------

Avensis Sedan (T25)	1.6 VVT-i	04.03-11.08	81	3ZZ-FE
---------------------	-----------	-------------	----	--------

	1.8	04.03-11.08	95	1ZZ-FE
--	-----	-------------	----	--------

Avensis Stat. Wagon	1.6 VVT-i	10.00-02.03	81	3ZZ-FE
---------------------	-----------	-------------	----	--------

	1.8 VVT-i	10.00-02.03	95	1ZZ-FE
--	-----------	-------------	----	--------

Aygo (WNB1_, KGB1_)	1.0	07.05-	50	1KR-FE
---------------------	-----	--------	----	--------

Celica (ZZT23_)	1.8 16V VVT-i	08.99-07.05	105	1ZZ-FE
-----------------	---------------	-------------	-----	--------

Corolla (E11)	1.6 16V	02.00-11.01	81	3ZZ-FE
---------------	---------	-------------	----	--------

Corolla (E12)	1.4 VVT-i	01.02-12.06	71	4ZZ-FE
---------------	-----------	-------------	----	--------

	1.6 VVT-i	01.02-12.06	81	3ZZ-FE
--	-----------	-------------	----	--------

Corolla Combi (E12)	1.4 VVT-i	01.02-02.07	71	4ZZ-FE
---------------------	-----------	-------------	----	--------

	1.6 VVT-i	01.02-02.07	81	3ZZ-FE
--	-----------	-------------	----	--------

Corolla Compact (E11)	1.6	02.00-01.02	81	3ZZ-FE
-----------------------	-----	-------------	----	--------

Corolla Liftback (E11)	1.6	02.00-01.02	81	3ZZ-FE
------------------------	-----	-------------	----	--------

Corolla Sedan (E12)	1.4 VVT-i	08.02-07.07	71	4ZZ-FE
---------------------	-----------	-------------	----	--------

	1.6 VVT-i	08.02-07.07	81	3ZZ-FE
--	-----------	-------------	----	--------

Corolla Verso (E12)	1.6 VVT-i	01.02-05.04	81	3ZZ-FE
---------------------	-----------	-------------	----	--------

	1.8 VVT-i	01.02-05.04	99	1ZZ-FE
--	-----------	-------------	----	--------

	1.8 VVTi 4WD	10.01-02.04	99	1ZZ-FE
--	--------------	-------------	----	--------

Corolla Verso (ZER)	1.6	04.04-03.09	81	3ZZ-FE
---------------------	-----	-------------	----	--------

	1.8	04.04-03.09	95	1ZZ-FE
--	-----	-------------	----	--------

Corolla Wagon (E11)	1.6 16V	02.00-10.01	81	3ZZ-FE
---------------------	---------	-------------	----	--------

MR 2 III (ZZW3_)	1.8 16V VVT-i	10.99-06.07	103	1ZZ-FE
------------------	---------------	-------------	-----	--------

RAV 4 II	1.8 VVTi	08.00-11.05	92	1ZZ-FE
----------	----------	-------------	----	--------

Yaris (_P9_)	1.0 VVT-i	08.05-	51	1KR-FE
--------------	-----------	--------	----	--------

Yaris (NHP13_)	1.0	09.11-	51	1KR-FE
----------------	-----	--------	----	--------

ignition coils



CL556



OEM-No.
HONDA 30520-PNA-007
30520-RAA-007
30520-RRA-007



1 coil per cylinder

HONDA

Accord VII (CL)	2.0	02.03-05.08	114	K20A6
-----------------	-----	-------------	-----	-------

	2.0 Allrad	02.03-05.08	114	K20A6
--	------------	-------------	-----	-------

	2.4	02.03-05.08	140	K24A3/K24A
--	-----	-------------	-----	------------

Accord VII Tourer	2.0	04.03-05.08	114	K20A6
-------------------	-----	-------------	-----	-------

	2.4	04.03-05.08	140	K24A
--	-----	-------------	-----	------

Civic VII Hatchback	2.0 i Sport	09.01-09.05	118	K20A3
---------------------	-------------	-------------	-----	-------

	2.0 Type-R	09.01-09.05	147	K20A2
--	------------	-------------	-----	-------

Civic VIII Hatchback	2.0 Type R	09.06-	148	K20Z4
----------------------	------------	--------	-----	-------

CR-V II (RD_)	2.0	09.01-09.06	110	K20A4
---------------	-----	-------------	-----	-------

CR-V III (RE)	2.0 i 4WD	01.07-	110	R20A2
---------------	-----------	--------	-----	-------

FR-V (BE)	2.0	02.05-	110	K20A9
-----------	-----	--------	-----	-------

Stream (RN)	2.0 16V	05.01-	115	K20A1
-------------	---------	--------	-----	-------

CL557



OEM-No.
SUZUKI 33410-77E20
33410-77E21
33410-77E22



1 coil per cylinder

SUZUKI

Baleno (EG)	1.8 GTX	03.96-05.02	89	J18A
-------------	---------	-------------	----	------

Baleno CC (EG)	1.8 GTX	03.96-05.02	89	J18A
----------------	---------	-------------	----	------

Baleno Combi (EG)	1.8 i 16V	08.96-05.02	89	J18A
-------------------	-----------	-------------	----	------

Grand Vitara I (FT)	2.0 4x4	03.98-07.03	94	J20A
---------------------	---------	-------------	----	------

	2.5 V6 24V	04.98-07.03	106	H 25 A
--	------------	-------------	-----	--------

	2.5 V6 24V 4x4	04.01-07.03	116	H 25 A
--	----------------	-------------	-----	--------

	2.7 4x4	09.01-07.03	127	H 27 A
--	---------	-------------	-----	--------

	2.7 4x4	04.03-07.03	135	H 27 A
--	---------	-------------	-----	--------

Grand Vitara II (JT)	2.0 Allrad	10.05-	103	J20A
----------------------	------------	--------	-----	------

Vitara (ET, TA)	2.0 16V Allrad	12.96-03.98	97	J20A
-----------------	----------------	-------------	----	------

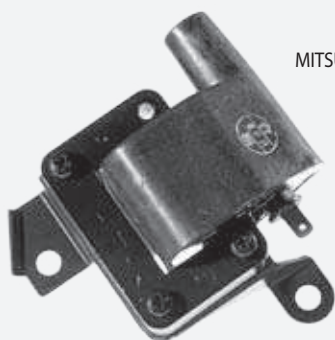
	2.0 V6 24V Allrad	12.94-03.98	100	H 20 A
--	-------------------	-------------	-----	--------

	2.5 V6 24V Allrad	12.95-03.98	118	H 25 A
--	-------------------	-------------	-----	--------

Vitara Cabrio (ET,TA)	2.0 16V	12.96-03.99	97	J20A
-----------------------	---------	-------------	----	------

CL558

DIN	OEM-No.		
	KIA KK137-18-10X KK137-18-10XC		
	MITSUBISHI MD-160532		


HYUNDAI

Galopper II (JK-01)	3.0 V6	08.98-12.03	104	G6AT
---------------------	--------	-------------	-----	------

KIA

Avella	1.3	11.95-12.01	55	B3
	1.5	02.97-12.01	55	
Avella CC	1.3	11.95-12.01	55	B3
	1.5	02.97-12.01	55	
Pride (DA)	1.1 i	01.91-	38	B1
	1.3 16V	01.90-	44	B3
	1.3 16V	10.96-	47	B3
	1.3 16V	01.90-	53	B3
	1.3 i	01.90-	51	
Pride Combi	1.3	08.99-	47	

MITSUBISHI

Pajero II	2.4	04.91-10.99	82	4G64 (12V)
Pajero II Canvas Top	2.4	04.91-04.00	82	4G64 (12V)
Sigma (F2_A, F1_A)	3.0 V6	12.90-07.96	130	6G72 (SOHC 12V)
	3.0 V6	12.90-07.96	151	6G72 (DOHC 24V)
Sigma Station Wagon	3.0	06.92-10.96	125	6G72 (SOHC 12V)

NISSAN

Bluebird (T72, T12)	1.8 Turbo	12.85-05.90	99	CA18T
Bluebird (U11)	1.8 Turbo	04.84-05.90	99	CA18T
Bluebird Hatch. (T_)	1.8 Turbo	12.85-11.92	99	CA18T
Sunny II (N13)	1.6 i	06.86-10.90	54	E16i
	1.6 i 4x4	06.86-10.90	54	E16i
Sunny II Hatchback	1.6 i	06.86-10.90	54	E16i

CL559

DIN	OEM-No.		
	MAZDA F210-18-100 F210-18-100B F211-18-100A JF01-18-100B		


MAZDA

323 III (BF)	1.3	08.85-05.89	44	E3
	1.6 GT	11.86-10.89	63	B6 (SOHC)
	1.6 GT Turbo	10.85-11.91	103	B6T
323 III Hatchback	1.3	09.85-12.87	44	E3
	1.6 GT	09.87-10.89	63	B6 (SOHC)
	1.6 GT Turbo	10.85-08.93	103	B6T
	1.6 GT Turbo 4WD	10.87-11.91	103	B6T
626 III (GD)	2.0	09.87-10.90	66	FE (12V)
	2.0 12V	09.87-05.92	79	FE (12V)
	2.0 16V	11.87-05.92	103	FE (16V)
	2.0 16V	07.87-09.89	109	FE (16V)
	2.2 12V	11.87-07.91	85	F2
	2.2 12V 4WD	01.90-05.92	85	F2

< CL559
MAZDA

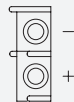
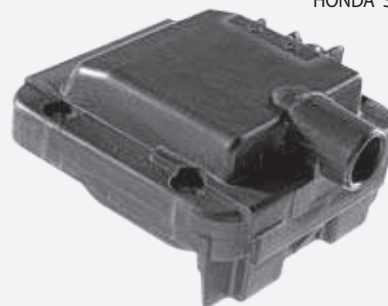
626 III Coupe (GD)	2.0 12V	09.87-12.88	79	FE (12V)	
	2.0 16V	12.87-10.90	103	FE (16V)	
	2.0 16V	06.87-09.89	109	FE (16V)	
	2.2 12V	04.88-12.91	85	F2	
626 III Hatchback	2.0	09.87-10.90	66	FE (8V)	
	2.0 12V	11.87-05.92	79	FE (12V)	
	2.0 16V	11.87-10.90	103	FE (16V)	
	2.0 16V	06.87-08.89	109	FE (16V)	
	2.2 12V	06.88-04.92	85	F2	
	2.2 12V 4WD	11.87-07.90	85	F2	
626 III Station Wagon	2.0	10.88-09.97	66	FE (8V)	
	2.0 16V	01.88-03.92	103	FE (16V)	
	2.2 12V	03.89-11.96	85	F2	
	2.2 12V 4WD	05.91-11.92	85	F2L1/F2	
	929 III (HC)	2.0	06.87-12.88	85	FEFA/FE (8V)
		2.2 12V	01.88-04.89	85	F21/F2E/F2
2.2 12V		04.89-06.91	94	F2-C	
2.2 i		05.87-12.88	100	F2-EGI	
3.0		01.88-12.89	125	JE3	
3.0	06.87-06.91	140	JE		
3.0 i	01.90-06.91	123	JE3		

SUZUKI

Swift II CC (EA, MA)	1.3 GTi	03.89-05.01	74	G13B
----------------------	---------	-------------	----	------

CL560

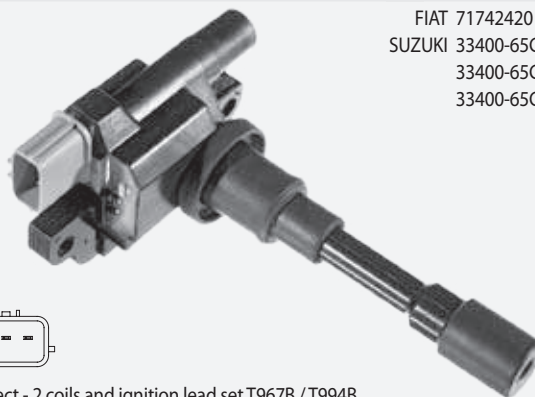
DIN	OEM-No.		
	HONDA 30500-PR4-A02		


HONDA

Civic II Shuttle (EE)	1.6 i 16V 4WD	01.88-12.89	80	D16A6
Civic IV Hatchback	1.5 i 16V	10.88-09.91	66	D15B2
	1.5 i 16V	10.88-09.91	69	D15B2
	1.6 i 16V	10.87-09.91	80	D16A6
	1.6 i 16V	10.87-09.91	81	D16Z2
	1.6 i 16V Vtec	10.89-09.91	110	B16A1
	1.6 i 16V Vtec	10.89-09.91	110	B16A1
Civic IV Sedan	1.6 i 16V	11.87-09.91	80	D16A6
	1.6 i 16V	10.87-09.91	81	D16Z2
	1.6 i 16V 4x4	10.89-09.91	80	D16A6
Civic V Sedan	1.6 VTi 16V	10.91-11.95	118	B16A2
Concerto (HW)	1.5 i 16V	08.89-03.95	66	D15B2

CL561

DIN	OEM-No.		
	FIAT 71742420 SUZUKI 33400-65G00 33400-65G01 33400-65G02		



semidirect - 2 coils and ignition lead set T967B / T994B

FIAT

Sedici	1.6 16V	06.06-06.09	79	M16A
--------	---------	-------------	----	------

< CL561

FIAT

Sedici	1.6 16V	06.06-06.09	88	M16A
	1.6 16V 4x4	06.06-06.09	79	M16A
	1.6 16V 4x4	06.06-06.09	88	M16A

SUBARU

Justy II (JMA, MS)	1.3 4x4	04.01-11.03	63	G13BB
Justy III (G3X)	1.5	09.03-	73	M15A

SUZUKI

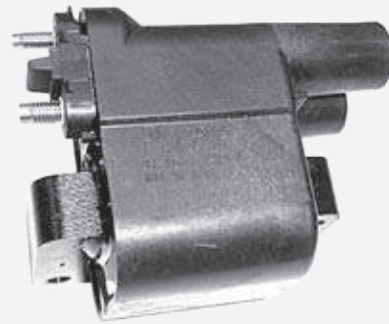
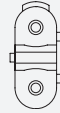
Alto (HA24)	1.1	09.04-12.08	46	F10DN/F10D
Baleno (EG)	1.3	02.99-05.02	52	G13BA
	1.3 i 16V	02.99-05.02	63	G13BB
	1.6 i 16V	02.99-05.02	72	G16B
	1.6 i 16V 4x4	02.99-05.02	72	G16B
Baleno CC	1.3	09.96-05.02	52	G13BA
	1.3 i 16V	02.99-05.02	63	G13BB
	1.6 i 16V	02.99-05.02	72	G16B
	1.6 i 16V 4x4	02.99-05.02	72	G16B
Baleno Combi	1.3 16V	02.99-05.02	63	G13BB
	1.6 i 16V	02.99-05.02	72	G16B
	1.6 i 16V	02.99-05.02	73	G16B
	1.6 i 16V 4x4	02.99-05.02	72	G16B
	1.6 i 16V 4x4	02.99-05.02	73	G16B
Carry Van (FD)	1.3	03.99-	58	G13BB
	1.3 16V	03.00-	58	G13BB
Grand Vitara II (JT)	1.6 Allrad	04.05-	78	M16A
Ignis (FH)	1.3	10.00-09.03	61	M13A
	1.3 4WD	10.00-09.03	61	M13A
Ignis II	1.3	09.03-	69	M13A
	1.3 4x4	09.03-	69	M13A
	1.5	09.03-	73	M15A
	1.5 4x4	09.03-	73	M15A
	1.5 Sport	12.03-	80	M15A
Jimny (FJ)	1.3 16V	02.01-	60	M13A
	1.3 16V 4WD	02.01-	60	M13A
	1.3 16V 4x4	08.05-	63	M13A
	1.3 4WD	05.14-	62	M13A
Liana (ER)	1.3	03.02-	66	M13A
	1.6	03.02-	76	M16A
	1.6	01.05-	79	M16A
	1.6 4WD	03.02-	76	M16A
	1.6 4WD	04.02-	78	M16A
	1.6 4WD	01.05-12.07	79	M16A
	1.6 i	04.02-	78	M16A
Liana Combi	1.3	07.01-12.07	66	M13A
	1.6	07.01-12.07	76	M16A
	1.6 4WD	07.01-12.07	76	M16A
	1.6 4WD	04.02-12.07	78	M16A
	1.6 4WD	01.05-12.07	79	M16A
	1.6 i	04.02-12.07	78	M16A
Swift Cabriolet	1.3 i	09.91-10.96	50	G13BA
Swift III (MZ, EZ)	1.3	02.05-	68	M13A
	1.3 4x4	01.06-	66	M13A
	1.3 4x4	02.05-	68	M13A
	1.5	02.05-	75	M15A
	1.6	05.06-	92	M16A
SX4 (EY, GY)	1.5	06.06-	73	M15A
	1.5 VVT	07.10-	82	M15A
	1.5 VVT 4x4	07.10-	82	M15A
	1.6 VVT	06.06-	79	M16A
	1.6 VVT	07.09-	88	M16A
	1.6 VVT 4x4	06.06-	79	M16A
	1.6 VVT 4x4	07.09-	82	M16A
	1.6 VVT 4x4	07.09-	88	M16A
SX4 Sedan (GY)	1.6	10.07-	79	M16A
	1.6 AWD	10.07-	88	M16A
Wagon R+ (MM)	1.3	05.00-12.04	56	G13BB
	1.3	09.03-	69	M13A
	1.3 4WD	10.01-	56	G13BB
	1.3 4WD	09.03-	69	M13A

CL562

DIN

OEM-No.

MITSUBISHI MD158956



MITSUBISHI

Eclipse I (D2_A)	2.0 i 16V	04.91-11.95	110	4G63 (DOHC 16V)
	2.0 i 16V 4WD	04.91-11.95	110	4G63 (DOHC 16V)
Galant IV Sedan	1.8	11.87-10.92	66	4G37
	2.0	11.87-10.92	80	4G63 (SOHC 8V)
	2.0 GTi 16V	11.87-10.92	106	4G63 (DOHC 16V)
	2.0 GTi 16V	11.88-10.92	107	4G63 (DOHC 16V)
	2.0 GTi 16V 4WD	06.88-10.92	106	4G63 (DOHC 16V)
Lancer IV	1.6 16V	06.92-05.94	83	4G92
	1.6 4WD	06.92-11.93	84	4G92

CL563

DIN

OEM-No.

DAIHATSU 19500-87201
19500-87202
90048-52070
90048-52072
90048-52077
90048-52078
90048-52079
90048-52084



DAIHATSU

Applause I	1.6 16V	06.89-07.97	66	HD
Cuore II (L80, L81)	0.8	11.89-12.90	29	ED 10
	0.8	09.85-06.90	32	ED 10
	0.8 4WD	09.86-10.88	32	ED 10
Feroza Hard Top	1.6 16V	10.88-12.99	63	HDC
	1.6 i 16V 4x4	10.88-12.99	70	HD-E
Feroza Soft Top	1.6 16V	10.88-06.92	63	HDC
	1.6 i 16V	10.88-06.90	70	HD-E
Charade III (G10_)	1.0	03.87-12.92	38	CB 23
	1.0	11.90-12.92	40	CB 90
	1.0	04.89-12.92	41	CB 90
	1.0 GTi	03.87-12.92	74	CB 80 T
	1.0 Turbo	03.87-10.90	50	CB 61
	1.3 i	06.88-12.92	66	HCE
	1.3 i 4WD	06.88-01.93	66	HCE
Charade III Sedan	1.3	11.90-02.93	66	HCE
Charade IV (G20_)	1.3	09.96-11.99	44	HC
	1.3 16V	05.96-11.99	55	HCE
	1.3 i 16V	01.93-09.00	62	HCE/HC

CL564

 OEM-No.
 TOYOTA 90919-02247
 90919-02248
 90919-A2001
 90919-C2002

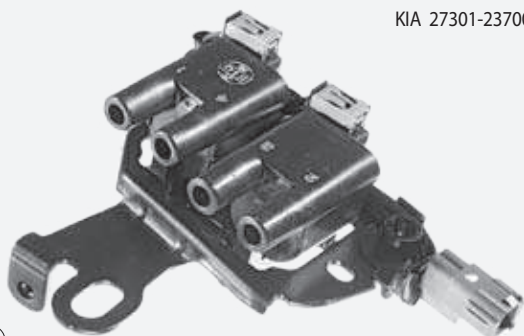

1 coil per cylinder

TOYOTA

Avensis (T22)	2.0 VVT-i	10.00-02.03	110	1AZ-FSE
Avensis (T25)	2.0	04.03-11.08	108	1AZ-FSE
	2.4	10.03-11.08	120	2AZ-FSE
	2.4	09.03-11.08	125	2AZ-FSE
Avensis Combi (T25)	2.0	04.03-12.09	108	1AZ-FSE
	2.4	10.03-11.08	120	2AZ-FSE
	2.4	09.03-11.08	125	2AZ-FSE
Avensis Liftback (T22)	2.0 VVT-i	10.00-02.03	110	1AZ-FSE
Avensis Sedan (T25)	2.0	04.03-11.08	108	1AZ-FSE
	2.4	10.03-11.08	120	2AZ-FSE
	2.4	09.03-11.08	125	2AZ-FSE
Avensis St. Wagon	2.0 VVT-i	10.00-02.03	110	1AZ-FSE
Avensis Verso	2.0 VVT-i	09.05-11.09	110	1AZ-FE
Land Cruiser	4.0	01.03-	183	1GR-FE

CL565

DIN

 OEM-No.
 HYUNDAI 27301-23700
 KIA 27301-23700

HYUNDAI

Coupe (GK)	2.0	03.02-08.09	102	G4GC-G
Elantra (XD)	2.0	10.03-07.06	105	G4GC
Elantra Sedan (XD)	2.0	10.03-07.06	105	G4GC
Matrix (FC)	1.8	06.01-08.10	90	G4GB-G
Trajet (FO)	2.0	03.00-02.04	100	G4JP-G
	2.0	01.04-02.04	103	G4GC-G
Tucson (JM)	2.0	08.04-03.10	104	G4GC
	2.0 Allrad	08.04-03.10	104	G4GC

KIA

Carens II (FJ)	2.0 CVVT	08.04-	102	G4GC
Cerato (LD)	2.0	04.04-	105	G4GC
Cerato Sedan (LD)	2.0	04.04-	105	G4GC
Sportage (JE_, KM_)	2.0 16V 4WD	09.04-	104	G4GC
	2.0 i 16V	09.04-	104	G4GC

CL566

 OEM-No.
 HYUNDAI 27301-2B000


1 coil per cylinder

HYUNDAI

i30 (FD)	1.4	10.07-11.11	77	G4FA
	1.4	10.07-11.11	80	G4FA
	1.6	10.07-11.11	85	G4FC
	1.6	10.07-11.11	90	G4FC

KIA

Cee'd CC (ED)	1.4	12.06-	77	G4FA
	1.4	12.06-	80	G4FA
	1.4 CVVT	06.10-	66	G4FA-L
	1.6	09.07-	85	G4FC
	1.6	12.06-	90	G4FC
	1.6	02.08-	93	G4FC
	1.6 CVVT	10.10-	92	G4FC
Cee'd SW (ED)	1.4	09.07-	80	G4FA
	1.4 CVVT	10.10-	66	G4FA-L
	1.6	09.07-	85	G4FC
	1.6	09.07-	90	G4FC
	1.6	09.07-	93	G4FC
	1.6 CVVT	06.09-	92	G4FC
Cerato (LD)	1.6	05.06-	90	G4FC
Cerato Sedan	1.6	05.06-	90	G4FC

CL568

 OEM-No.
 TOYOTA 90919-02163

TOYOTA

Camry	2.2	06.91-08.96	100	5S-FE
Camry Station Wagon	2.2	03.92-07.96	100	5S-FE
Carina E (T19)	2.0 GLI	04.92-09.97	98	3S-FE
	2.0 GTi	04.92-02.94	116	3S-GE
	2.0 GTi 16V	03.94-09.97	129	3S-GE
	2.0 i	12.93-09.97	93	3S-FE
Carina E Sedan	2.0	01.93-09.97	98	3S-FE
	2.0 GTi	04.92-02.94	116	3S-GE
	2.0 GTi 16V	03.94-09.97	129	3S-GE
	2.0 i	12.92-09.97	93	3S-FE
Carina E Sportswagon	2.0 GLI	01.93-09.97	98	3S-FE
	2.0 i	05.95-09.97	93	3S-FE
Hilux II Pick-up	2.4 i 4WD	06.89-07.05	84	22RE
RAV 4 I (SXA1_)	2.0 4WD	06.94-06.00	95	3S-FE
RAV 4 I Cabrio	2.0 16V 4WD	12.97-06.00	94	3S-FE

CL569

CL569

		OEM-No.		
	HONDA	30500-P0AA01		
		30500-PCAA01		
		30500-PDAA01		
		30500-PCA-003		
		30500-PDA-E01		
	ROVER	GCL207		
		NEC100750		
		4.8		

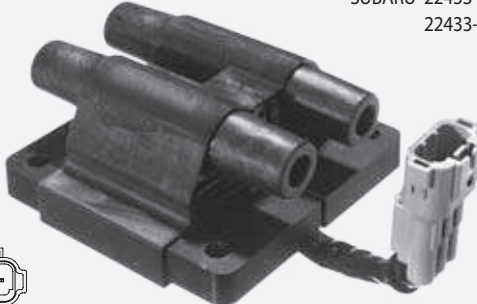
HONDA

Accord V	1.9 i	02.96-10.98	85	F18A3
	2.2 i VTEC	02.96-10.98	110	F22Z2
Accord VI	1.8 i	10.98-12.02	100	F18B2
	2.0 i	10.98-01.01	108	F20B6
	2.3	01.01-06.03	113	F23Z5/F23A1
Accord VI Coupe	2.0 i 16V	02.98-06.03	108	F20B7/F20B5
Accord VI Hatchback	1.8 i	12.99-12.02	100	F18B2
	2.0	12.99-12.02	108	F20B6
	2.3	11.00-12.02	113	F23Z5
Civic VI Aerodeck	1.5 16V	04.98-02.01	84	D15Z8
Civic VI Fastback	1.4 i	09.95-02.01	55	D14A5/ A7/ Z3
Civic VI Fastback	1.4 i	09.94-02.01	66	D14A8/ Z4/ A6/ A2
Shuttle (RA)	2.3 16V	10.97-06.04	110	F23A7

ROVER

400 (RT)	416 Si	05.95-03.00	83	D 16 Y2
400 Hatchback (RT)	416 Si	06.95-03.00	83	D 16 Y2
400 Tourer (XW)	1.6 i	05.94-11.98	90	D 16 A8
600 (RH)	618 i/Si	03.96-02.99	85	F 18 A3

CL570

DIN		OEM-No.	
		SUBARU 22433-AA240	
		22433-AA370	

SUBARU

Forester (SF)	2.0	06.98-09.02	92	EJ20
Impreza Coupe (GFC)	1.6	12.96-12.00	66	EJ16E
	2.0 AWD	12.95-06.97	85	EJ20
	2.0 Turbo AWD	12.96-06.98	155	EJ20G
	2.0 i	11.95-07.98	85	EJ20E
Impreza Sedan (GC)	1.6 i	08.92-12.00	66	EJ16
	1.6 i AWD	08.92-12.00	66	EJ16
	1.8 i AWD	08.92-12.00	76	EJ18/EJ18E
	2.0 Turbo GT AWD	03.94-06.98	155	EJ20 (Turbo)
	2.0 i AWD	10.95-06.97	85	EJ20
	2.0 i Turbo AWD	03.94-06.98	155	EJ20 (Turbo)
Impreza Stat. Wagon	1.6	01.93-08.98	66	EJ16E
	1.6 i	06.98-12.00	70	EJ161
	1.6 i AWD	08.92-12.00	66	EJ16
	1.8 i AWD	08.92-12.00	76	EJ18
	2.0	09.96-08.98	85	EJ20E
Legacy I (BC)	2.0 i AWD	12.95-06.97	85	EJ20
	2.0 i Turbo AWD	03.94-06.98	155	EJ20 (Turbo)
	2000 4WD	08.91-07.94	85	EJ20 EMPI
	2000 Turbo 4WD	05.92-07.94	147	EJ20-GN
Legacy I Stat. Wagon	2200 4WD	01.89-07.94	100	EJ22 EMPI
	2000	09.91-12.93	85	EJ20 EMPI
	2000 4WD	09.91-07.94	85	EJ20 EMPI

ignition coils



< CL570

SUBARU

Legacy I Stat. Wagon	2000 Turbo 4WD	05.92-07.94	147	EJ20-GN
	2200 Super 4WD	01.89-07.94	100	EJ22 EMPI
Legacy II (BD, BG)	2.0 i	09.94-03.99	85	EJ20E
	2.0 i 4WD	09.94-03.99	85	EJ20
	2.2 i 4WD	09.94-03.99	94	EJ22 EMPI
	2.2 i 4WD	06.96-03.99	96	EJ22 EMPI
	2.5 i 4WD	06.96-03.99	110	EJ25D
Legacy II Stat. Wagon	2.0 i	09.94-11.98	85	EJ20 EMPI
	2.0 i 4WD	09.94-11.98	85	EJ20
	2.2 i 4WD	02.94-12.98	94	EJ22 EMPI
	2.2 i 4WD	06.96-11.98	96	EJ22 EMPI
	2.5 i 4WD	06.96-11.98	110	EJ25D

CL571

		OEM-No.	
		TOYOTA 90080-19016	
		90919-02234	

1 coil per cylinder


LEXUS

RX (MCU15)	300 AWD	10.00-05.03	148	1MZ-FE
RX (U3_)	300	05.03-12.08	150	1MZ-FE

TOYOTA

Camry (V2_)	3.0 24V	08.96-11.01	140	1MZ-FE
	3.0 V6	08.96-11.01	135	1MZ-FE
Camry (V3_)	3.0 V6	11.01-11.06	137	1MZ-FE

CL572

DIN Ø5		OEM-No.	
		MAZDA FFY1-18-100	
		FP85-18-100C	

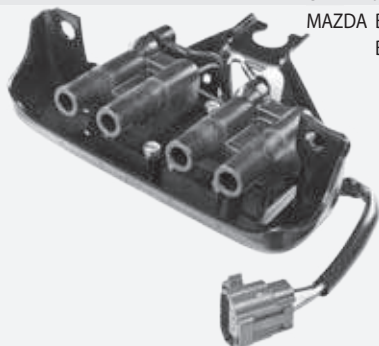
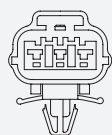
semidirect - 2 coils and ignition lead set T248P

MAZDA

323 F VI (BJ)	1.9 16V	09.98-01.01	84	FP/FP55
	2.0	01.01-05.04	96	FS7G/FS7E
323 S VI (BJ)	1.9 16V	09.98-05.04	84	FP/FP55
	2.0	01.01-05.04	96	FS7G/FS7E
Premacy (CP)	1.9	07.99-03.05	74	FP
	1.9	07.99-03.05	84	FP
	2.0	11.01-03.05	96	FS7G/FS7E

CL573

DIN OEM-No.
MAZDA B61P-18-10XC
B61P-18-10XD


MAZDA

MX-3 (EC)	1.6 i	01.94-	79	B6D
MX-5 I (NA)	1.6	01.95-04.98	66	8AN1
	1.6	05.90-01.94	85	B64F

CL574

DIN OEM-No.
TOYOTA 90919-02185


LEXUS

ES (F1, F2)	250	12.89-09.91	118	2VZ-FE
TOYOTA				
Land Cruiser 80	4.0	01.90-08.92	115	3F-E
MR 2 II (SW2_)	2.0 16V	12.89-12.91	115	3S-GE
	2.0 16V	12.89-12.91	125	3S-GE
	2.0 16V	12.89-12.91	129	3S-GE

CL575

OEM-No.
TOYOTA 90919-02230
90080-19027



1 coil per cylinder

LEXUS

GS (UZS161, JZS160)	430	11.00-03.05	208	3UZ-FE
IS I (JCE1_, GXE1_)	200	04.99-07.05	114	1G-FE
IS SportCross	200	10.02-10.05	114	1G-FE
LS (UCF30)	430	10.00-08.06	207	3UZ-FE
SC (UZZ40_)	430	05.01-07.10	210	3UZ-FE
TOYOTA				
Land Cruiser	4.7 V8	01.08-	212	2UZ-FE
Land Cruiser 100	4.7	01.98-	173	2UZ-FE
	4.7	02.02-	175	2UZ-FE

CL576

OEM-No.
TOYOTA 90919-02237



1 coil per cylinder

TOYOTA

Hiace IV Bus (LH1_)	2.7	09.01-11.01	105	3RZ-FE
	2.7	11.01-08.06	106	3RZ-FE
	2.7 4WD	09.01-08.06	105	3RZ-FE
Hiace IV Van	2.7	09.01-08.06	105	3RZ-FE
	2.7 4WD	09.01-	106	3RZ-FE
Land Cruiser	2.7	09.02-08.04	112	3RZ-FE

CL577

OEM-No.
TOYOTA 90919-02238



1 coil per cylinder

TOYOTA

Celica (ZZT23_)	1.8 16V TS	08.99-09.05	141	2ZZ-GE
Corolla (E12)	1.8 VVTL-i TS	01.02-02.07	141	2ZZ-GE
	1.8 VVTL-i TS	10.05-12.06	160	2ZZ-GE
	1.8 VVTL-i TS	02.05-02.07	165	2ZZ-GE

CL578

DIN Ø5 OEM-No.
TOYOTA 19500-74040
19500-74050
90919-02197
90919-02208
VAG J9091902197


LEXUS

LS (UCF10)	400	12.89-12.94	180	1UZ-FE
LS (UCF20)	400	12.94-08.97	194	1UZ-FE
	400	09.98-10.00	203	1UZ-FE
	400	09.97-10.00	209	1UZ-FE

TOYOTA

4 Runner	3.0 V6	08.91-11.95	105	3VZ-E
Camry	3.0	06.91-08.96	138	3VZ-FE
Camry Station Wagon	3.0	03.92-07.96	138	3VZ-FE
Celica (ST20, AT20)	2.0 i 16V	04.96-11.99	125	3S-GE
	2.0 i 16V	11.93-11.99	129	3S-GE
Celica Cabriolet (T18)	2.0 GTi	10.89-11.93	115	3S-GE
Celica Cabriolet (T20)	2.0 i 16V	11.93-08.99	125	3S-GE

CL578

< CL578

TOYOTA

Celica Coupe (T18)	2.0 GTi	09.91-11.93	115	3S-GE
	2.0 Turbo 4WD	10.89-11.93	150	3S-GTE
	2.0 Turbo 4WD	10.89-11.93	153	3S-GTE
Liteace Bus (M30)	1.5	10.85-08.89	51	5K
	1.5	07.89-01.92	52	5K
Liteace Bus (R2_LG)	1.5	01.92-01.95	52	5K
Liteace Van (_M3_V)	1.5	05.86-09.91	51	5K
Liteace Van (_R2_V)	1.5	01.92-01.95	52	5K
MR 2 II (SW2_)	2.0 16V	12.91-05.00	115	3S-GE
	2.0 16V	12.91-05.00	125	3S-GE
	2.0 16V	12.91-05.00	129	3S-GE

VW

Taro	2.4 i 4x4	06.89-03.97	84	22R
------	-----------	-------------	----	-----

CL579



OEM-No.
TOYOTA 90919-02243
90919-02244
90080-19023



1 coil per cylinder

TOYOTA

Avensis Verso	2.0 VVT-i	08.01-11.09	110	1AZ-FE
Camry (_V3_)	2.4 VVT-i	11.01-11.06	112	2AZ-FE
Camry Sedan (XV4)	2.4 VVTi	01.06-09.11	116	2AZ-FE
	2.4 VVTi Hybrid	01.06-09.11	105	2AZ-FXE
Previa	2.4	08.00-01.06	115	2AZ-FE
RAV 4 II	2.0 VVTi 4WD	06.00-11.05	110	1AZ-FE
RAV 4 III	2.0 VVT-i 4WD	03.06-	112	1AZ-FE

CL580

PIN



OEM-No.
TOYOTA 90919-02212



semidirect - 3 coils and ignition lead set T587P

TOYOTA

4 Runner	3.4 i	11.95-03.96	136	5VZ-FE
Land Cruiser 90	3.4 i 24V	04.96-	131	5VZ-FE

ignition coils



CL581



OEM-No.
TOYOTA 90919-02252



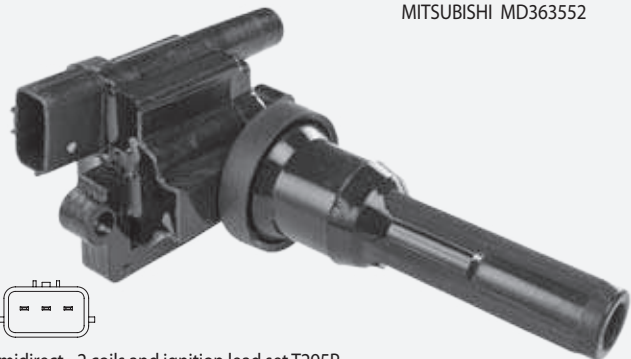
1 coil per cylinder

TOYOTA

Auris (_E15_)	1.6	05.09-	97	1ZR-FAE
	1.6 VVTi	03.07-	91	1ZR-FE
	1.8	02.09-	108	2ZR-FAE
Auris Touring Sports	1.6	07.13-	97	1ZR-FAE
Avensis Sedan	1.6	11.08-	97	1ZR-FAE
	1.8	11.08-	108	2ZR-FAE
	2.0	11.08-	112	3ZR-FAE/3ZR-FE
Avensis Stat. Wagon	1.6	02.09-	97	1ZR-FAE
	1.8	02.09-	108	2ZR-FAE
	2.0	02.09-	112	3ZR-FAE/3ZR-FE
Corolla Sedan (E18)	1.6	06.13-	97	1ZR-FAE
	1.6 BiFuel	06.13-	90	1ZR-FE
RAV 4 III	2.0	12.08-	116	3ZR-FAE
	2.0 4WD	12.08-	116	3ZR-FAE
Verso	1.6	04.09-	97	1ZR-FAE
	1.8	04.09-	108	2ZR-FAE
Yaris (_P9_)	1.8 VVTi	01.07-	98	2ZR-FE

CL582

DIN Ø5



OEM-No.
MITSUBISHI MD363552



semidirect - 2 coils and ignition lead set T295P

MITSUBISHI

Lancer VI (CJ-CP_)	2.0 16V EVO	08.98-08.01	206	4G63 Turbo
Lancer Sedan	2.0 16V EVO VIII	03.04-	195	4G63 Turbo
	2.0 16V EVO IX	01.06-	206	4G63 Turbo
Outlander I (CU_W)	2.0	05.03-10.06	100	4G63 (DOHC 16V)
	2.0 4WD	05.03-10.06	93	4G63 (DOHC 16V)
	2.0 4WD	05.03-10.06	100	4G63 (DOHC 16V)
	2.0 4WD	01.02-10.06	177	4G63 Turbo
	2.0 Turbo 4WD	04.04-10.06	148	4G63T (DOHC 16V)

CL583

 OEM-No.
 HONDA 30520-PGK-A01
 30520-PVF-A01


1 coil per cylinder

HONDA

Civic VII Coupe (EM2)	1.6 i	02.01-12.05	81	D16V1
Civic VII Hatchback	1.4 i	02.01-09.05	55	D14Z6
	1.4 iS	02.01-09.05	66	D14Z5/D14Z6
	1.6 i	02.01-09.05	81	D16V1
Civic VII Sedan (ES)	1.4	12.00-09.05	66	D14Z5
	1.6	02.01-09.05	81	D16V1

CL584

 OEM-No.
 HYUNDAI 27301-2B010
 KIA 27301-2B010


1 coil per cylinder

HYUNDAI

Accent IV (RB)	1.4	11.10-	79	G4FA
	1.6	11.10-	90	G4FC
Accent IV Sedan (RB)	1.4	11.10-	80	G4FA
	1.4	11.10-	74	G4LC
	1.6	11.10-	90	G4FC
	1.6	11.10-	91	G4FC
	1.6	11.10-	97	G4FG
Elantra Sedan (MD)	1.4	09.08-	74	G4FA
	1.6	09.08-	93	G4FC
i20 (PB, PBT)	1.4	09.08-	85	G4FC
	1.6	02.08-11.11	93	G4FC
i30 (FD)	1.6	10.07-11.11	85	G4FC
	1.6	02.08-11.11	93	G4FC
i30 (GD)	1.4	12.11-	73	G4FA
i30 Coupe	1.4	05.13-	73	G4FA
i30 CW (FD)	1.6	02.08-06.12	85	G4FC
	1.6	02.08-06.12	90	G4FC
	1.6	02.08-06.12	93	G4FC
i30 CW (GD)	1.6	06.12-	95	G4FG
ix20 (JC)	1.4	11.10-	66	G4FA
Veloster (FS)	1.6 MPI	04.11-	97	G4FG

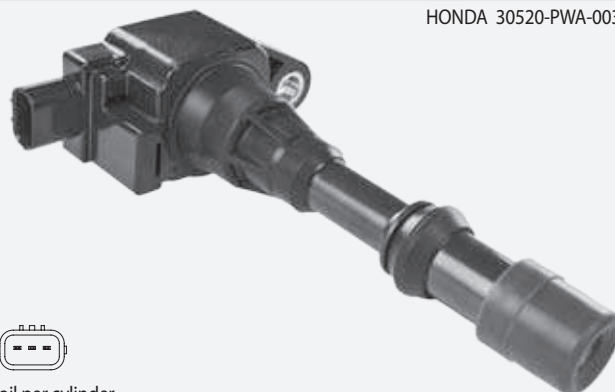
KIA

Carens III (UN)	1.6 CVVT	10.10-	93	G4FC
	1.6 CVVT	08.09-	97	G4FC
Cee'd	1.4 CVVT	05.12-	66	G4FA-L
Cee'd Sportswagon	1.4 CVVT	09.12-	73	G4FA
Cee'd SW (ED)	1.4	10.10-	77	G4FA
Cerato II Sedan (TD)	1.6	01.10-	93	G4FC
Pro Cee'd (ED)	1.4	02.08-	77	G4FA
	1.4 CVVT	06.10-	66	G4FA-L
	1.6	02.08-	90	G4FC
	1.6	02.08-	93	G4FC
	1.6 CVVT	10.10-	92	G4FC
Pro Cee'd	1.4 CVVT	03.13-	73	G4FA

< CL584
KIA

Rio III (UB)	1.4 CVVT	09.11-	80	G4FA
	1.4 CVVT	09.11-	79	G4FA
	1.6 CVVT	06.12-	90	G4FC
Rio III Sedan	1.4 CVVT	10.11-	80	G4FA
	1.6 CVVT	06.12-	90	G4FC
Soul (AM)	1.6 CVVT	02.09-	77	G4FC
	1.6 CVVT	02.09-	93	G4FC
	1.6 CVVT	03.12-	95	G4FC
Venga (YN)	1.4 CVVT	02.10-	66	G4FA-L
	1.6 CVVT	02.10-	92	G4FC

CL585

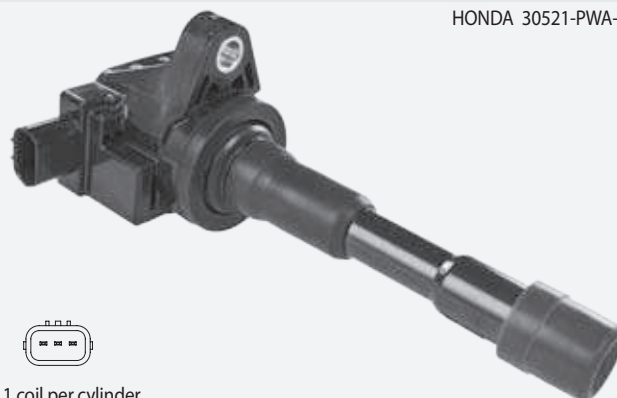
 OEM-No.
 HONDA 30520-PWA-003


1 coil per cylinder

HONDA

Civic VII Sedan (ES)	1.3 IMA	01.04-09.05	61	LDA1
Civic VIII Hatchback	1.4	09.05-	61	L13A7
	1.4	10.08-	73	L13Z1
Civic VIII Sedan	1.3 Hybrid	01.06-	70	LDA2
Jazz II (GD)	1.2	03.02-07.08	57	L12A1
	1.3	03.02-07.08	61	L13A1
Jazz III (GE)	1.2	07.08-	66	L12B1
	1.3 i	07.08-	73	L13Z1

CL586

 OEM-No.
 HONDA 30521-PWA-003


1 coil per cylinder

HONDA

Civic VII Sedan (ES)	1.3 IMA	01.04-09.05	61	LDA1
Civic VIII Hatchback	1.4	09.05-	61	L13A7
	1.4	10.08-	73	L13Z1
Civic VIII Sedan	1.3 Hybrid	01.06-	70	LDA2
Jazz II (GD)	1.2	03.02-07.08	57	L12A1
Jazz III (GE)	1.3	03.02-07.08	61	L13A1
	1.2	07.08-	66	L12B1
Jazz III (GE)	1.3 i	07.08-	73	L13Z1

CL587

CL587

OEM-No.
DAIHATSU 19070-B1020



1 coil per cylinder

DAIHATSU

Copen	1.3	03.06-	64	K3-VE
Extol Bus (S22, S23)	1.3	07.00-	63	K3-VE
Materia (M4_)	1.3	10.06-	67	K3-VE
	1.5	10.06-	76	3SZ-VE
	1.5 Eco 4WD	10.06-	76	3SZ-VE
Sirion (M1)	1.3 Sport	08.00-01.05	75	K3-VE2
	1.3 Sport 4WD	08.00-03.05	75	K3-VE2
Sirion (M3_)	1.3	01.05-	64	K3-VE
	1.3	03.08-	67	K3-VE
	1.3 4WD	04.05-	64	K3-VE
	1.3 4WD	03.08-	67	K3-VE
	1.5	03.08-	76	3SZ-VE
Terios (J1)	1.3	09.01-10.05	63	K3-VE
	1.3 4WD	10.00-10.05	63	K3-VE
Terios (J2_)	1.5 4x4	05.06-	77	3SZ-VE
	1.5 VVT-i	11.05-	77	3SZ-VE
YRV (M2)	1.3	02.01-	64	K3-VE
	1.3 4WD	02.01-	64	K3-VE
	1.3 GTi	07.02-	95	K3-VET

CL588

DIN OEM-No.
SUZUKI 33410-57B10
33410-57B10-000
33410-80C10

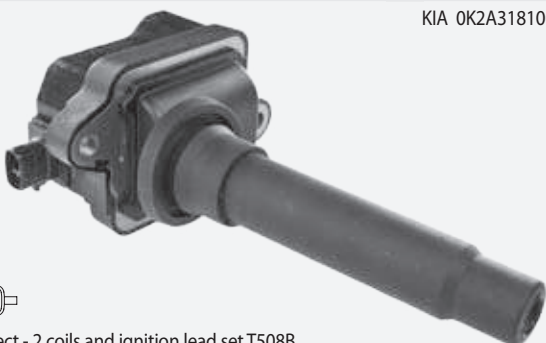


SUZUKI

Samurai (SJ)	1.3 (SJ 413)	11.88-12.04	47	G13A
	1.3 Allrad	01.00-12.04	59	G13BA
	1.3 Allrad (SJ 413)	11.88-12.04	44	G13A
	1.3 Allrad (SJ 413)	11.88-12.04	51	G13BA
Vitara (ET, TA)	1.6 i 16V Allrad (ET, TA02)	07.90-03.98	71	G16B
Vitara Cabrio (ET, TA)	1.6 i 16V	07.90-03.99	71	G16B

CL589

PIN OEM-No.
KIA OK2A318100A



semidirect - 2 coils and ignition lead set T508B

KIA

Sephia (FA)	1.5 i	02.96-10.97	59	B5
-------------	-------	-------------	----	----

ignition coils



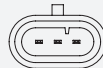
< CL589

KIA

Sephia Sedan	1.5 i	02.96-10.97	59	B5
Shuma (FB)	1.5 i 16V	10.97-03.01	65	
Shuma Sedan	1.5	03.96-12.98	59	OK280
	1.5 i 16V	10.97-10.01	65	

CL590

OEM-No.
HYUNDAI 27301-3E100



1 coil per cylinder

HYUNDAI

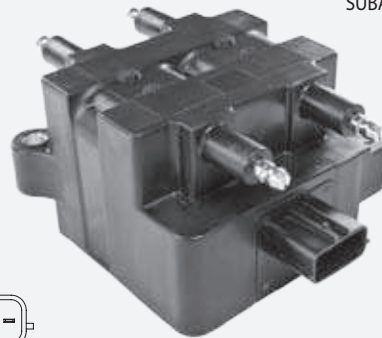
Santa Fé II (CM)	2.7	01.07-	125	G6BA
	2.7 4x4	01.07-	125	G6BA
	2.7 V6 GLS	01.07-	139	G6EA
	2.7 V6 GLS 4x4	01.07-	139	G6EA

KIA

Grand / Carnival III	2.7 V6	06.06-	139	G6EA
Magentis (MG)	2.7	11.05-	138	G6EA

CL591

SAE OEM-No.
SUBARU 22433-AA41A
22433-AA41B
22433-AA57A
22433-AA410
22433-AA570

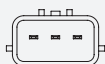


SUBARU

Forester (SG)	2.0	09.02-	92	EJ20
	2.0 X	09.05-	116	EJ204
	2.5	12.03-	155	EJ25
Impreza Coupe (GFC)	2.0 AWD	12.97-12.00	85	EJ20
	2.2 AWD	09.98-09.00	96	EJ22E
	2.2 i	09.98-09.00	96	EJ22E
Impreza Sedan (GC)	2.0 i	09.98-09.00	92	EJ201
	2.0 i AWD	12.97-12.00	85	EJ20
	2.0 i AWD	06.98-12.00	92	EJ20
	2.2 GX AWD	09.98-09.00	96	EJ22E
	2.2 GX AWD	11.95-08.98	97	EJ22
Impreza Sedan (GD)	2.0 i AWD	12.00-	92	EJ20
Impreza St. Wag. (GF)	2.0 i	09.98-09.00	92	EJ201
	2.0 i AWD	12.97-12.00	85	EJ20
	2.0 i 16V AWD	06.98-12.00	92	EJ20/EJ20E
	2.2 GX AWD	09.98-09.00	96	EJ22E
	2.2 GX AWD	11.95-08.98	97	EJ22
Impreza St. Wag. (GG)	2.0 AWD	12.00-	92	EJ20
Legacy III (BE, BH)	2.0	04.99-08.03	92	EJ20
	2.5	10.98-08.03	115	EJ25
Legacy III St. Wagon	2.0 AWD	12.98-08.03	92	EJ20
	2.5 AWD	12.98-08.03	115	EJ25
Outback (BE, BH)	2.5	10.00-08.03	115	EJ25
Outback (BL, BP)	2.5	11.03-09.09	121	EJ25D
	2.5	09.08-09.09	127	EJ251

CL592


OEM-No.
 NISSAN 22448-8H300
 22448-8H310
 22448-8H311
 22448-8H314
 22448-8H315



1 coil per cylinder

NISSAN

Primera (P12)	2.0	03.02-	103	QR20DE
Primera Combi	2.0	03.02-	103	QR20DE
Primera Hatchback	2.0	07.02-	103	QR20DE
Teana I (J31)	2.0	10.03-06.08	103	QR20DE
X-Trail (T30)	2.0	07.01-	103	QR20DE
	2.0 4x4	07.01-	103	QR20DE
	2.5 4x4	09.02-	121	QR25DE
X-Trail (T31)	2.5 4x4	09.07-	124	QR25DE

CL593


OEM-No.
 HYUNDAI 27301-3C000
 KIA 27301-3C000



1 coil per cylinder

HYUNDAI

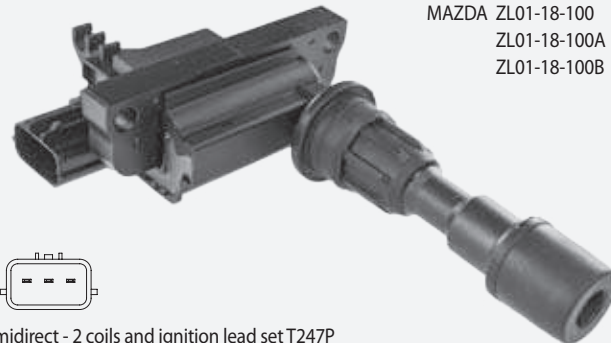
Genesis (BH)	3.8 V6	01.08-	213	G6DA
Genesis Coupe	3.8 V6	01.08-	223	G6DA
Grandeur (TG)	3.3	04.05-	173	G6DB
	3.8	06.05-	195	G6DA
Santa Fé II (CM)	2.4	11.10-	128	G4KE
	2.4 4x4	07.10-	128	G4KE
Sonata V (NF)	2.4	01.05-	119	G4KC
	3.3	01.05-	171	G6DB
	3.3	06.05-	173	G6DB
	3.3	01.08-	184	G6DB

KIA

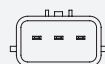
Carens III (UN)	2.0 CVVT	09.06-	106	G4KA
Opirus (GH)	3.8 V6	10.06-	196	G6DA
Sorento I (JC)	3.3 V6	12.06-	177	
	3.3 V6 4WD	11.07-	182	G6DB
Sorento II (XM)	2.4 CVVT	11.09-	128	G4KE
	2.4 CVVT 4WD	11.09-	128	G4KE

CL594

DIN Ø5



OEM-No.
 MAZDA ZL01-18-100
 ZL01-18-100A
 ZL01-18-100B



semidirect - 2 coils and ignition lead set T247P

MAZDA

323 F VI (BJ)	1.5 16V	09.98-01.01	65	ZL06/ZL05
	1.6	01.01-05.04	70	ZM
	1.6	01.01-05.04	72	ZM
323 S VI (BJ)	1.5 16V	09.98-01.01	65	ZL06/ZL05
	1.6	01.01-05.04	70	ZM
	1.6	01.01-05.04	72	ZM

CL595


OEM-No.
 HYUNDAI 27301-26640
 KIA 27301-26640



1 coil per cylinder

HYUNDAI

Accent II (LC)	1.6	12.02-11.05	77	G4ED-G
Accent II Sedan	1.6	12.02-11.05	77	G4ED-G
Accent III (MC)	1.4 GL	11.05-11.10	71	G4EE
	1.6 GLS	11.05-11.10	82	G4ED
Accent III Sedan	1.4 GL	11.05-11.10	71	G4EE
	1.6 GLS	11.05-11.10	82	G4ED

KIA

Rio II (JB)	1.4 16V	03.05-	71	G4EE
	1.6 CVVT	03.05-	82	G4ED
Rio II Sedan	1.4 16V	03.05-	71	G4EE
	1.6 16V	03.05-	82	G4ED

CL596


OEM-No.
 HONDA 30520-RNA-A01



1 coil per cylinder

HONDA

Accord VIII (CU)	2.0 i	07.08-06.15	115	R20A3
Accord VIII Combi	2.0 i	07.08-	115	R20A3
Civic VII Sedan (ES)	1.8	02.01-09.05	103	R18A1
Civic VIII Hatchback	1.8	09.05-	103	R18A2
Civic VIII Sedan	1.8	09.05-02.12	103	R18A1



CL596

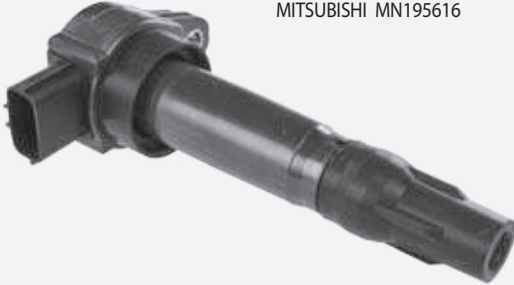
< CL596

HONDA

Civic VIII Sedan	1.8	02.06-	103	R18A2
FR-V (BE)	1.8	01.07-	103	R18A1
Stream	1.8 Vtec	10.05-	103	R18A2

CL597

OEM-No.
MITSUBISHI MN195616



1 coil per cylinder

MITSUBISHI

Colt VI (Z3_A, Z2_A)	1.1	10.04-06.12	55	3A91
	1.3	06.04-06.12	70	4A90
	1.5	06.04-06.12	80	4A91
Colt CZC Cabriolet	1.5	05.06-07.09	80	4A91

SMART

Forfour (454)	1.1	02.05-06.06	47	M 134.911
	1.1	01.04-06.06	55	M 134.910
	1.3	01.04-06.06	70	M 135.930
	1.5	01.04-06.06	80	M 135.950

CL598

DIN Ø5

OEM-No.
MITSUBISHI MD314583



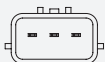
2 coils per vehicle (with coil CL928-1 pc)

MITSUBISHI

Pajero II	3.0 V6 24V	06.97-10.99	130	6G72 (SOHC 24V)
	3.0 V6 24V	06.94-05.97	133	6G72 (SOHC 24V)
	3.5 V6 24V	07.97-10.99	143	6G74 (SOHC 24V)
	3.5 V6 24V	06.97-10.99	153	6G74 (SOHC 24V)
Pajero II Canvas Top	3.0 V6 24V	06.94-04.00	133	6G72 (SOHC 24V)
Pajero Sport (K90)	3.0 V6	11.98-	130	6G72 (SOHC 24V)
	3.0 V6	06.00-	125	6G72 (SOHC 24V)

CL599

OEM-No.
MAZDA L3G2-18-100A
L3G2-18-100A9U
L3G2-18-100B
L3G2-18-100B9U



1 coil per cylinder

MAZDA

3 (BK)	2.0	03.06-06.09	110	LF17
	2.3 MPS Turbo	12.06-06.09	191	L3-VDT/L3N9
3 (BL)	2.0 MZR	06.09-	110	LF17/LF-DE
	2.0 MZR DISI	06.09-	111	LF5W/LF5H

ignition coils



< CL599

MAZDA

3 Sedan (BK)	2.0	03.06-	110	LF17
3 Sedan (BL)	2.0 MZR	06.09-	110	LF17/LF-DE
	2.0 MZR DISI	06.09-	111	LF5W/LF5H
6 (GH)	2.0 MZR	08.07-	108	LF17
	2.0 MZR	01.10-	114	LF-DE
	2.5 MZR	08.07-	125	L5-VE
6 CC (GH)	2.0 MZR	08.07-	108	LF17
	2.0 MZR	01.10-	114	LF-DE
	2.5 MZR	08.07-	125	L5-VE
6 Combi (GH)	2.0 MZR	02.08-	108	LF17
	2.0 MZR	01.10-	114	LF-DE
	2.5 MZR	02.08-	125	L5-VE
6 Station Wagon (GY)	2.0	03.05-08.07	108	LF7
CX-7 (ER)	2.3 MZR DISI Turbo	11.06-	175	L3Y7
	2.3 MZR DISI Turbo	10.07-	190	L3-VDT
	2.3 MZR DISI Turbo	09.09-	191	L3-VDT
MX-5 III (NC)	2.0	09.08-	118	LF62/LF-DE

CL600

OEM-No.

BMW 12131703227
12131703228
12131703825
12131748017
12131748018
LANDROVER NEC000040
ROVER GCL 307
NEC101000L



1 coil per cylinder

BMW

3 (E36)	323 i 2.5	03.95-02.98	125	M52 B25 (256S3)	
	328 i	01.95-02.98	142	M52 B28 (286S1)	
	M3 3.2	09.95-02.98	236	S50 B32 (326S1)	
3 (E46)	320 i	03.98-09.00	110	M52 B20 (206S4)	
	320 i	06.00-09.02	125	M54 B22 (226S1)	
	323 i	03.98-09.00	125	M52 B25 (256S4)	
	325 i	06.00-09.02	141	M54 B25 (256S5)	
	325 xi	06.00-09.02	141	M54 B25 (256S5)	
	328 i	02.98-06.00	142	M52 B28 (286S2)	
	330 i	06.00-09.02	170	M54 B30 (306S3)	
3 Cabriolet (E36)	323 i	06.95-04.99	125	M52 B25 (256S3)	
	328 i	03.95-04.99	142	M52 B28 (286S1)	
3 Cabriolet (E46)	M3 3.2	10.95-04.99	236	S50 B32 (326S1)	
	320 Ci	09.00-09.02	125	M54 B22 (226S1)	
	323 Ci	04.00-09.00	125	M52 B25 (256S4)	
	325 Ci	09.00-09.02	141	M54 B25 (256S5)	
3 Compact (E36)	323 ti	08.97-08.00	125	M52 B25 (256S3)	
	325 ti	06.01-09.02	141	M54 B25 (256S5)	
3 Coupe (E36)	320 i	03.92-04.99	110	M52 B20/M50 B20	
	323 i	03.95-04.99	125	M52 B25 (256S3)	
	328 i	01.95-04.99	142	M52 B28 (286S1)	
3 Coupe (E46)	M3 3.2	10.95-04.99	236	S50 B32 (326S1)	
	320 Ci	08.99-09.00	110	M52 B20 (206S4)	
	320 Ci	06.00-09.02	125	M54 B22 (226S1)	
	323 Ci	04.99-09.00	125	M52 B25 (256S4)	
	325 Ci	06.00-09.02	141	M54 B25 (256S5)	
	328 Ci	04.99-06.00	142	M52 B28 (286S2)	
	330 Ci	06.00-09.02	170	M54 B30 (306S3)	
	330 xi	06.00-09.02	170	M54 B30 (306S3)	
	3 Touring (E36)	320 i	01.95-10.99	110	M52 B20 (206S3)
		323 i	09.95-10.99	125	M52 B25 (256S3)
		328 i	01.95-10.99	142	M52 B28 (286S1)

< CL600

BMW

3 Touring (E46)	320 i	10.99-09.00	110	M52 B20 (206S4)	
	320 i	06.00-09.02	125	M54 B22 (226S1)	
	325 i	06.00-09.02	141	M54 B25 (256S5)	
	325 xi	06.00-09.02	141	M54 B25 (256S5)	
	328 i	10.99-06.00	142	M52 B28 (286S2)	
	330 i	06.00-09.02	170	M54 B30 (306S3)	
	330 xi	06.00-09.02	170	M54 B30 (306S3)	
5 (E39)	520 i	04.99-06.03	100	M52 B20 (206S3)	
	520 i	01.96-09.00	110	M52 B20 (206S3)	
	520 i	09.00-09.02	125	M54 B22 (226S1)	
	523 i	11.95-09.00	125	M52 B25 (256S3)	
	525 i	09.00-09.02	141	M54 B25 (256S5)	
	528 i	11.95-09.00	142	M52 B28	
	530 i	09.00-09.02	170	M54 B30 (306S3)	
	535 i	04.96-03.99	173	M62 B35	
	535 i	04.99-06.03	180	M62 B35 (358S2)	
	540 i	04.96-06.03	210	M62 B44	
	M 4.9	10.98-06.03	294	S62 B50 (508S1)	
	5 Touring (E39)	520 i	01.97-09.00	110	M52 B20 (206S3)
		520 i	04.99-05.04	100	M52 B20 (206S3)
520 i		09.00-09.02	125	M54 B22 (226S1)	
523 i		01.97-09.00	125	M52 B25 (256S3)	
525 i		09.00-09.02	141	M54 B25 (256S5)	
528 i		01.97-09.00	142	M52 B28	
530 i		09.00-09.02	170	M54 B30 (306S3)	
540 i		01.97-05.04	210	M62 B44	
7 (E38)	728 i,jL	08.95-11.01	142	M52 B28	
	735 i,jL	01.96-11.01	173	M62 B35 (358S1)	
	740 i,jL	01.96-11.01	210	M62 B44	
	750 i,jL	12.94-11.01	240	M73 B54	
8 (E31)	840 Ci	01.96-12.99	210	M62 B44 (448S1)	
	850 Ci	09.94-12.99	240	M73 B54 (54121)	
X5 (E53)	3.0 i	05.00-10.02	163	M54 B30 (306S3)	
	3.0 i	05.00-12.06	170	M54 B30 (306S3)	
	4.4 i	05.00-12.03	210	M62 B44 (448S2)	
	4.6 is	02.02-12.03	255	M62 B46 (468S1)	
Z3 (E36)	2.0	04.99-01.03	110	M52 B20 (206S4)	
	2.2	08.00-01.03	125	M54 B22 (226S1)	
	2.8	04.97-06.00	141	M52 B28 (286S1)	
	3.0	06.00-01.03	170	M54 B30 (306S3)	
	M 3.2	03.97-06.01	236	S50 B32 (326S1)	
Z3 Coupe (E36)	2.8	07.97-06.00	141	M52 B28 (286S1)	
	3.0	06.00-06.03	170	M54 B30 (306S3)	
	M 3.2	02.98-06.01	236	S50 B32 (326S1)	
Z8 (E52)	4.9	06.00-06.03	294	S62 B50 (508S1)	

LANDROVER

Range Rover III (LM)	4.4 4x4	03.02-08.12	210	M62 B44
----------------------	---------	-------------	-----	---------

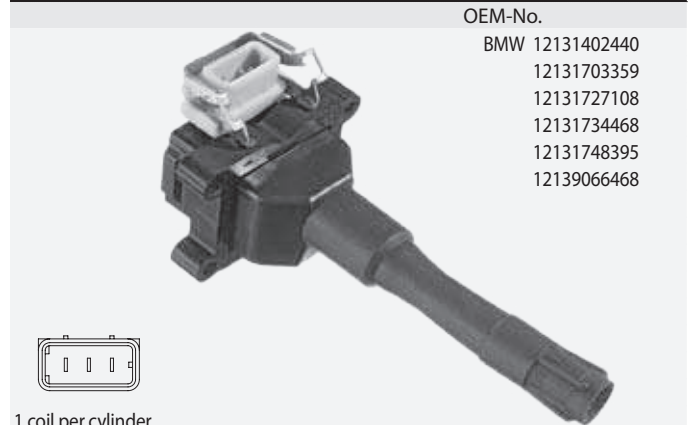
ROVER

45 (RT)	2.0 V6	02.00-05.05	110	20 K4F
45 Sedan (RT)	2.0 V6	02.00-05.05	110	20 K4F
75 (RJ)	2.0 V6	02.99-03.03	110	20 K4F
	2.5 V6	02.99-03.99	129	KV 6
	2.5 V6	10.01-03.03	130	25 K4F
75 Tourer (RJ)	2.5 V6	08.01-03.03	130	KV 6

ignition coils



CL601



1 coil per cylinder

BMW

				OEM-No.
3 (E30)	318 is	09.89-08.91	100	M42 B18 (184S1)
	318 i	03.93-09.93	103	M42 B18 (184S1)
3 (E36)	320 i	09.90-02.98	110	M52 B20/M50 B20
	325 i	09.90-09.95	141	M50 B25
	M3 3.0	08.94-09.95	210	S50 B30 (306S1)
3 Cabriolet (E36)	320 i	12.93-04.99	110	M52 B20
	325 i	03.93-03.95	141	M50 B25 (256S2)
3 Coupe (E36)	M3 3.0	01.94-10.95	210	S50 B30 (306S1)
	325 i	03.92-04.99	141	M50 B25
	M3 3.0	10.92-01.95	210	S50 B30 (306S1)
5 (E34)	520 i 24V	09.89-09.95	110	M50 B20
	525 i 24V	09.89-09.95	141	M50 B25 (256S2)
	525 iX 24V	10.91-09.95	141	M50 B25
	530 i V8	09.92-09.95	160	M60 B30 (308S1)
	540 i V8	09.92-09.95	210	M60 B40 (408S1)
5 Touring (E34)	520 i	11.91-01.97	110	M50 B20
	525 i	11.91-01.97	141	M50 B25
	525 ix	02.92-01.97	141	M50 B25
7 (E32)	730 i,jL V8	09.92-01.97	160	M60 B30 (308S1)
	740 i,jL V8	09.93-01.97	210	M60 B40 (408S1)
	730 i,jL	04.92-09.94	160	M60 B30 (308S1)
7 (E38)	730 i,jL	10.94-11.01	155	M60 B30 (308S1)
	730 i,jL	10.94-11.01	160	M60 B30 (308S1)
	740 i,jL	10.94-11.01	210	M60 B40 (408S1)
8 (E31)	840 i	02.93-02.96	210	M60 B40 (408S1)

CL602



1 coil per cylinder

BMW

				OEM-No.
1 (E81)	116 i	03.07-09.12	85	N45 B16/N43 B16
	120 i	09.06-09.12	115	N46 B20 B/ B20 C
3 (E46)	316 i	02.02-02.05	85	N46 B18A/N42 B18A
	316 i	06.02-02.05	85	N45 B16A/N40 B16A
	318 i	09.01-02.05	105	N46 B20A/N42 B20A
	320 i	10.02-02.05	125	M54 B22 (226S1)
	325 i	10.02-02.05	141	M54 B25 (256S5)
	325 xi	10.02-02.05	141	M54 B25 (256S5)
	330 i	10.02-02.05	170	M54 B30 (306S3)
	330 xi	10.02-02.05	170	M54 B30 (306S3)
3 (E90)	316 i	02.06-12.11	85	N45 B16 A

CL602

< CL602

BMW				
3 (E90)	318 i	05.06-03.07	95 N46 B20 B	
	320 i	01.05-03.07	110 N46 B20 B/_A/_C	
	320 si	05.06-12.11	127 N45 B20 A	
3 Cabriolet (E46)	318 Ci	09.01-	105 N46 B20A/N42 B20A	
	318 Ci	02.05-	110 N46 B20B/N46 B20A	
	320 Ci	10.02-	125 M54 B22 (226S1)	
	325 Ci	10.02-	141 M54 B25 (256S5)	
	330 Ci	10.02-	170 M54 B30 (306S3)	
	M3 3.2	04.01-	252 S54 B32 (326S4)	
3 Compact (E46)	316 ti	06.01-02.05	85 N46 B18A/N42 B18A	
	316 ti	06.02-02.05	85 N45 B16A/N40 B16A	
	318 ti	09.01-02.05	105 N46 B20A/N42 B20A	
	325 ti	10.02-12.04	141 M54 B25 (256S5)	
	3 Coupe (E46)	316 Ci	06.02-07.06	85 N45 B16 A
3 Coupe (E46)	318 Ci	09.01-07.06	105 N46 B20A/N42 B20A	
	318 Ci	03.05-07.06	110 N46 B20 A	
	320 Ci	10.02-07.06	125 M54 B22 (226S1)	
	325 Ci	10.02-07.06	141 M54 B25 (256S5)	
	330 Ci	09.02-07.06	170 M54 B30 (306S3)	
	330 xi	10.02-07.06	170 M54 B30 (306S3)	
	M3 3.2	06.00-07.06	252 S54 B32 (326S4)	
	M3 CSL 3.2	06.03-07.06	265 S54 B32 (326S4)	
	3 Coupe (E92)	320 i	11.06-06.07	110 N46 B20A/N46N B20B
	3 Touring (E46)	316 i	03.02-02.05	85 N46 B18A/N42 B18A
316 i		06.02-02.05	85 N45 B16 A	
318 i		09.01-02.05	105 N46 B20A/N42 B20A	
320 i		10.02-02.05	125 M54 B22 (226S1)	
325 i		10.02-02.05	141 M54 B25 (256S5)	
325 xi		10.02-02.05	141 M54 B25 (256S5)	
330 i		10.02-02.05	170 M54 B30 (306S3)	
330 xi		10.02-02.05	170 M54 B30 (306S3)	
3 Touring (E91)		318 i	01.06-06.12	95 N46 B20 B
320 i		09.05-06.12	110 N46 B20 A/_ B20 C	
5 (E39)	520 i	10.02-06.03	125 M54 B22 (226S1)	
	525 i	10.02-06.03	141 M54 B25 (256S5)	
	530 i	10.02-06.03	170 M54 B30 (306S3)	
5 (E60)	520 i	07.03-03.10	125 M54 B22 (226S1)	
	525 i	09.03-03.10	141 M54 B25 (256S5)	
	530 i	07.03-03.10	170 M54 B30 (306S3)	
	540 i	07.05-03.10	225 N62 B40 A	
	545 i	09.03-03.10	245 N62 B44 A	
	550 i	07.05-03.10	270 N62 B48 A/_ B	
5 Touring (E39)	520 i	10.02-05.04	125 M54 B22 (226S1)	
	525 i	10.02-05.04	141 M54 B25 (256S5)	
	530 i	10.02-05.04	170 M54 B30 (306S3)	
5 Touring (E61)	525 i	06.04-	141 M54 B25 (256S5)	
	545 i	06.04-	245 N62 B44 A	
	550 i	07.05-	270 N62 B48 A/_ B	
	6 (E63)	645 Ci	01.04-	245 N62 B44 A
6 Cabriolet (E64)	650 i	07.05-	270 N62 B48 B	
	645 Ci	04.04-	245 N62 B44 A	
7 (E65, E66, E67)	650 i	07.05-	270 N62 B48 B	
	730 i,Li	03.03-	170 M54 B30 (306S3)	
	735 i,Li	11.01-	200 N62 B36 A	
	740 i,Li	07.05-	225 N62 B40 A	
	745 i,Li	11.01-	245 N62 B44 A	
	750 i,Li	07.05-	270 N62 B48 B	
	760 i,Li	01.03-	327 N73 B60 A	
X1 (E84)	sDrive 18 i	01.10-	110 N46 B20 B	
X3 (E83)	2.0 i	07.05-	110 N46 B20 B	
	2.5 i	01.04-	141 M54 B25 (256S5)	
	3.0 i xDrive	01.04-	170 M54 B30 (306S3)	
	xDrive 20 i	09.08-	110 N46 B20 B	
X5 (E53)	3.0 i	11.02-12.06	163 M54 B30 (306S3)	
	4.4 i	12.03-09.06	235 N62 B44	
	4.8 is	04.04-09.06	265 N62 B48 A	
X5 (E70)	4.8 i xDrive	02.07-09.08	261 N62 B48 B	
	xDrive 48 i	09.08-06.13	261 N62 B48 B	
Z3 (E36)	M 3.2	06.01-01.03	239 S54 B32 (326S4)	
Z3 Coupe (E36)	M 3.2	06.01-06.03	239 S54 B32 (326S4)	
Z4 (E85)	2.0 i	04.05-	110 N46 B20B/N46 B20A	

< CL602

BMW			
Z4 (E85)	2.2 i	10.03-	125 M54 B22 (226S1)
	2.5 i	02.03-	141 M54 B25 (256S5)
	3.0 i	02.03-	170 M54 B30 (306S3)
	M 3.2	03.06-	252 S54 B32 (326S4)
Z4 Coupe (E86)	M 3.2	03.06-	252 S54 B32 (326S4)

CL603



1 coil per cylinder

BMW

1 (E81)	130 i	09.06-09.12	190 N52 B30 A/_ BF/_ B	
	130 i	09.06-09.12	195 N52 B30 A/_ BF/_ B	
1 Cabriolet (E88)	125 i	03.08-	160 N52 B30 A	
	135 i	03.08-	225 N55 B30A/N54 B30A	
1 Coupe (E82)	125 i	10.07-	160 N52 B30 A	
	135 i	10.07-	225 N55 B30A/N54 B30A	
3 (E90)	325 i	05.06-12.11	160 N52 B25 A	
	325 xi	05.06-12.11	160 N52 B25 A	
	330 i	05.06-08.07	190 N52 B30 A	
	335 i	09.06-12.11	225 N55 B30A/N54 B30A	
	335 i xDrive	09.08-12.11	225 N55 B30A/N54 B30A	
	335 xi	09.07-12.11	225 N55 B30A/N54 B30A	
	3 Cabriolet (E93)	325 i	03.07-	160 N52 B25 A
	335 i	03.07-	225 N54 B30B/N55 B30A	
3 Coupe (E92)	325 i	09.06-	160 N52 B25 A	
	325 xi	09.06-	160 N52 B25 A	
	330 i	09.06-	200 N52 B30 A	
	335 i	09.06-	225 N55 B30A/N54 B30A	
	335 i xDrive	09.08-	225 N55 B30A/N54 B30A	
	335 xi	09.06-	225 N55 B30A/N54 B30A	
	3 Touring (E91)	325 i	05.06-06.12	160 N52 B25 A
	325 xi	05.06-06.12	160 N52 B25 A	
5 (E60)	330 i	05.06-08.07	190 N52 B30 A	
	335 i	09.06-06.12	225 N55 B30A/N54 B30A	
	335 i xDrive	09.08-06.12	225 N55 B30A/N54 B30A	
	335 xi	03.07-06.12	225 N55 B30A/N54 B30A	
	523 i	05.06-03.10	130 N52 B25 A	
	525 i	05.06-03.10	160 N52 B25 A	
	530 i	05.06-03.10	190 N52 B30 A	
	530 xi	05.06-03.10	190 N52 B30 A	
5 (F10, F18)	550 i	02.10-	300 N63 B44 A	
	550 i xDrive	08.10-	300 N63 B44 A	
5 Gran Turismo (F07)	550 i	10.09-	300 N63 B44 A	
	550 i xDrive	09.10-	300 N63 B44 A	
5 Touring (E61)	523 i	05.06-	130 N52 B25 A	
	525 i	05.06-	160 N52 B25 A	
	530 i	05.06-	190 N52 B30 A	
	530 xi	05.06-	190 N52 B30 A	
6 (E63)	630 i	05.06-	190 N52 B30 A	
	6 Cabriolet (E64)	630 i	05.06-	190 N52 B30 A
6 Cabriolet (F12)	650 i	03.11-	300 N63 B44 A	
6 Coupe (F13)	650 i	11.10-	300 N63 B44 A	
7 (E65, E66, E67)	730 i,Li	05.06-	190 N52 B30 A	
7 (F0_)	740 i	10.08-	240 N54 B30 A	
	750 i	10.08-	300 N63 B44 A	
	750 i xDrive	09.09-	300 N63 B44 A	
	760 i	09.09-	400 N74 B60 A	
	4.4 ActiveHybrid	10.10-	342 N63 B44 A	

< CL603
BMW

X1 (E84)	xDrive 25 i	01.10-	160	N52 B30 A
	xDrive 28 i	10.09-	190	N52 B30 A
X3 (E83)	2.5 si	09.06-	160	N52 B25 A
	3.0 si	09.06-	200	N52 B30 A
	xDrive 25 i	09.08-	160	N52 B25 A
	xDrive 30 i	09.08-	200	N52 B30 A
	xDrive 28 i	04.11-	190	N52 B30 A
X3 (F25)	xDrive 28 i	04.11-	190	N52 B30 A
X5 (E70)	3.0 si	02.07-09.08	200	N52 B30 A
	M 4.4	09.09-06.13	408	S63 B44 A
	xDrive 30 i	09.08-03.10	200	N52 B30 A
	xDrive 50 i	06.10-06.13	300	N63 B44 A
	35 i	05.08-	225	N54 B30 A
X6 (E71, E72)	50 i	05.08-	300	N63 B44 A
	ActiveHybrid	10.10-	357	N63 B44 A
	M 4.4	09.09-	408	S63 B44 A
	xDrive 35 i	09.08-	225	N55 B30A/N54 B30A
	xDrive 50 i	09.08-	300	N63 B44 A
Z4 (E85)	2.5 i	05.06-	130	N52 B25 A
	2.5 si	05.06-	160	N52 B25 A
	3.0 si	05.06-	195	N52 B30 A
Z4 (E89)	sDrive 23 i	05.09-	150	N52 B25 A
	sDrive 30 i	05.09-	190	N52 B30 A
	sDrive 35 i	05.09-	225	N54 B30 A
	sDrive 35 is	09.10-	250	N54 B30 A
Z4 Coupe (E86)	3.0 si	05.06-	195	N52 B30 A

CITROEN

Berlingo (B9)	1.6 VTi 120	11.09-	88	5FS (EP6C)
	1.6 VTi 95	07.10-	72	5FK (EP6CB)
Berlingo Van	1.6 VTi 120	11.09-	88	5FS (EP6C)
	1.6 VTi 95	07.10-	72	5FK (EP6CB)
C3 II	1.4 VTi 95	11.09-	70	8FP (EP3)
	1.6 VTi 120	11.09-	88	5FS (EP6C)
C3 Picasso	1.4 VTi 95	02.09-	70	8FS/8FN/8FP
	1.6 VTi 120	02.09-	88	5FS/5FW
C4 Coupe (LA_)	1.6 THP 150	07.08-07.11	110	5FX (EP6DT)
	1.6 VTi 120	07.08-07.11	88	5FW (EP6)
C4 Grand Picasso I	1.6 16V	07.08-	103	5FT (EP6DT)
	1.6 16V	10.08-	110	5FX (EP6DT)
	1.6 THP 155	09.10-	115	5FV (EP6CDT)
	1.6 VTi 120	07.08-	88	5FW (EP6)
C4 Grand Picasso II	1.6 VTi 120	09.13-	88	5FS (EP6C)
C4 I (LC_)	1.6 THP 140	07.08-07.11	103	5FT (EP6DT)
	1.6 THP 150	07.08-07.11	110	5FX (EP6DT)
	1.6 VTi 120	07.08-07.11	88	5FW (EP6)
C4 II (B7)	1.4 VTi 95	11.09-	70	8FP (EP3)
	1.6 THP 155	11.09-	115	5FV (EP6CDT)
	1.6 VTi 120	11.09-	88	5FS (EP6C)
	1.6 VTi 120 LPG	09.11-	88	5FS (EP6C)
C4 Picasso I (UD_)	1.6 16V	07.08-08.13	110	5FX (EP6DT)
	1.6 THP 140	07.08-08.13	103	5FT (EP6DT)
	1.6 THP 155	09.10-08.13	115	5FV (EP6CDT)
	1.6 VTi 120	07.08-08.13	88	5FW (EP6)
C4 Picasso II	1.6 VTi 120	02.13-	88	5FS (EP6C)
	1.6 THP 155	02.13-	115	5FV (EP6CDT)
C5 III (RD_)	1.6 THP 155	04.09-	115	5FV (EP6CDT)
	1.6 VTi 120	07.10-	88	5FS (EP6C)
C5 III Break (TD_)	1.6 THP 155	04.09-	115	5FV (EP6DT)
	1.6 VTi 120	07.10-	88	5FS (EP6C)
DS3	1.4 VTi 95	04.10-	70	8FP (EP3)
	1.4 VTi 98	11.09-	72	8FR (EP3)
	1.6 THP 155	04.10-	115	5FV/5FR
	1.6 VTi 120	04.10-	88	5FS (EP6C)
DS3 Cabriolet	1.6 THP 150	01.13-	110	5FN (EP6CDT)
	1.6 THP 155	01.13-	115	5FV (EP6CDT)
	1.6 VTi 120	01.13-	88	5FS (EP6C)
DS4	1.6 THP 155	04.11-	115	5FV (EP6CDT)
	1.6 THP 200	04.11-	147	5FU (EP6DTX)
	1.6 VTi 120	04.11-	88	5FS (EP6C)
DS5	1.6 THP 155	11.11-	115	5FV (EP6CDT)
	1.6 THP 200	11.11-	147	5FU (EP6DTX)

< CL603
MINI

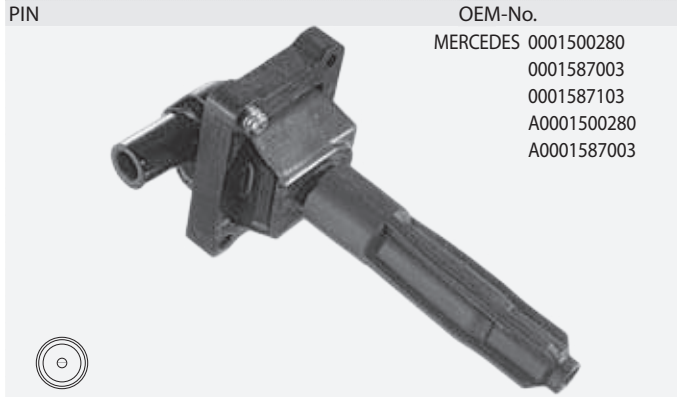
Mini (R50, R53)	1.6 Cooper Works	03.06-09.06	160	W11 B16 A
Mini (R56)	1.4 One	11.06-03.10	70	N12 B14 A
	1.4 One	03.09-03.10	55	N12 B14 A
	1.6 Cooper	10.06-02.12	88	N12 B16 A
	1.6 Cooper	09.09-11.13	90	N16 B16 A
	1.6 Cooper Works	03.08-11.13	155	N14 B16 C
	1.6 One	03.10-11.13	55	N16 B16 A
Mini Cabriolet (R57)	1.6 One	03.10-11.13	72	N16 B16 A
	1.6 Cooper	03.09-	88	N12 B16 A
	1.6 Cooper	03.10-	90	N16 B16 A
	1.6 Cooper S	03.09-	128	N14 B16 A
Mini Clubman (R55)	1.6 Cooper Works	03.08-	155	N14 B16 C
	1.6 One	03.10-	72	N16 B16 A
	1.6 Cooper	10.07-12.13	88	N16 B16 A
Mini Clubman (R55)	1.6 Cooper	03.10-	90	N16 B16 A
	1.6 Cooper S	10.07-02.10	128	N14 B16 A
	1.6 One	03.10-	72	N16 B16 A
Mini Countryman	1.6 Cooper	06.10-	90	N16 B16 A
	1.6 One	06.10-	72	N16 B16 A

PEUGEOT

207 (WA_, WC_)	1.4 16V	06.07-	70	EP3C/8F5/EP3
	1.6 16V Turbo	10.09-	115	5FR (EP6DT)
	1.6 16V VTi	02.07-	88	5FS (EP6C)/EP6
207 CC (WD_)	1.6 16V	02.07-	88	5FS (EP6C)/EP6
	1.6 16V Turbo	10.09-	115	5FR (EP6DT)
207 SW (WK_)	1.4 16V	06.07-	70	EP3C/8F5/EP3
	1.6 16V	06.07-	88	5FS (EP6C)/EP6
208	1.4	03.12-	70	EP3C/8F5 (EP3)
	1.6	03.12-	88	5FS (EP6C)
208	1.6	03.12-	115	EP6CDT/5FV
	1.6 THP 165	03.15-	121	
2008	1.6 VTi	03.13-	88	5FS (EP6C)
308 (4A_, 4C_)	1.4 16V	09.07-	70	8FS (EP3)/EP3
	1.4 16V	12.09-	72	
308 CC	1.6 16V	09.07-	88	EP6
	1.6 16V	09.07-	103	5FT (EP6DT)
	1.6 16V	10.09-	115	EP6CDT
	1.6 16V	06.09-	88	EP6
308 II	1.6 16V	06.09-	103	5FT (EP6DT)
	1.6 16V	06.09-	115	EP6CDT
	1.6	09.13-	115	
308 SW	1.4 16V	09.07-	70	8FS (EP3)
	1.4 16V	12.09-	72	
	1.6 16V	09.07-	88	EP6
3008	1.6 THP	06.09-	115	5FV (EP6DT)
	1.6 VTi	06.09-	88	5FS (EP6C)/EP6
508	1.6 THP	11.10-	115	EP6CDT
	1.6 VTi	11.10-	88	5FS (EP6C)
508 SW	1.6 THP	11.10-	115	EP6CDT
	1.6 VTi	11.10-	88	5FS (EP6C)
5008	1.6 16V	09.09-	88	5FS (EP6C)/EP6
	1.6 16V	09.09-	115	EP6CDT
Partner Tepee	1.6	04.10-	88	5FS (EP6C)
Partner Van	1.6	04.10-	88	
RCZ	1.6 16V	03.10-	115	EP6CDT
	1.6 16V	06.10-	147	EP6CDTX

CL604

CL604



semidirect - 2 (3) coils and ignition lead set T743C/T982C (T623C/T624C)

MERCEDES

C-CLASS (W202)	C 180	09.95-05.00	90	M 111.921
	C 180	11.94-05.00	89	M 111.921
	C 200	09.95-05.00	100	M 111.945
	C 200 Kompressor	10.95-05.00	132	M 111.944
	C 200 Kompressor	11.96-05.00	141	M 111.944
	C 220	06.96-06.97	110	M 111.974
	C 230 Kompressor	10.95-05.00	142	M 111.975
	C 280	05.93-05.00	142	M 104.941
C-CLASS Kombi (S202)	C 180 T	06.96-09.00	90	M 111.921
	C 200 T	06.96-03.01	100	M 111.945
	C 200 T Kompr.	11.96-03.01	141	M 111.944
	C 230 T	06.96-06.98	110	M 111.974
	C 230 T Kompr.	06.97-09.00	142	M 111.975
CLK (C208)	200	06.97-06.02	100	M 111.945
	200 Kompressor	06.97-06.00	141	M 111.944
	230 Kompressor	06.97-06.00	142	M 111.975/ .973
CLK Cabriolet (A208)	200	03.98-03.02	100	M 111.941
	200 Kompressor	03.98-06.00	141	M 111.944
	230 Kompressor	03.98-06.00	142	M 111.975/ .973
Coupe (C124)	320 CE	10.92-05.93	162	M 104.992
E-CLASS (W124)	E 280	06.93-06.95	145	M 104.942
	E 280	06.93-06.95	142	M 104.942
	E 320	06.93-06.95	162	M 104.992
E-CLASS (W210)	E 200	06.95-08.00	100	M 111.942
	E 230	06.95-06.97	110	M 111.970
	E 280	01.96-06.97	142	M 104.945
	E 320	06.95-06.97	162	M 104.995
E-CLASS Cabrio (A124)	E 320	06.93-03.98	162	M 104.992
	E 36 AMG	05.94-03.98	200	M 104.992 AMG
E-CLASS Coupe (C124)	E 320	06.93-06.97	162	M 104.992
	E 36 AMG	05.94-06.97	200	M 104.992 AMG
	E 36 AMG	06.93-04.95	195	M 104.992 AMG
E-CLASS Kombi (S124)	E 280 T	06.93-06.96	142	M 104.942
	E 280 T	06.93-06.96	145	M 104.942
	E 320 T	06.93-06.96	162	M 104.992
	E 36 T AMG	05.94-06.96	200	M 104.992 AMG
E-CLASS Kombi (S210)	E 200 T	06.96-08.00	100	M 111.942
	E 230 T	06.96-06.97	110	M 111.970
G-CLASS (W463)	G 320	09.94-12.97	155	M 104.996
	G 36 AMG	01.95-	200	M 104.996 AMG
G-CLASS Cabrio (W463)	320 GE	09.94-11.97	155	M 104.996
Kombi (S124)	280 TE	10.92-06.93	145	M 104.942
	320 TE	10.92-06.93	162	M 104.992
S-CLASS (W140)	300 SE 2.8	01.93-10.98	145	M 104.944
	300 SE,SEL/S320	03.91-10.98	170	M 104.994
	S 280	02.93-10.98	142	M 104.944
Sedan (W124)	280 E	10.92-06.93	145	M 104.942
	320 E	10.92-06.93	162	M 104.992
SL (R129)	280	08.93-10.01	142	M 104.943
	320	09.93-10.01	170	M 104.991
SLK (R170)	200	09.96-03.00	100	M 111.946
Sprinter 2-t Bus	214	02.95-05.06	105	M 111.979
Sprinter 2-t Flatbed	214	02.95-05.06	105	M 111.979
Sprinter 2-t Van	214	02.95-05.06	105	M 111.979/ .984
Sprinter 3-t Bus	314	02.95-05.06	105	M 111.984

ignition coils



< CL604

MERCEDES

Sprinter 3-t Flatbed	314	02.95-05.06	105	M 111.984
Sprinter 3-t Van	314	02.95-05.06	105	M 111.979/ .984
Sprinter 4-t Bus	414	02.96-05.06	105	M 111.979
Sprinter 4-t Flatbed	414	02.96-05.06	105	M 111.979
	414 4x4	05.97-05.06	105	M 111.979
Sprinter 4-t Van	414	02.96-05.06	105	M 111.979
	414 4x4	05.97-05.06	105	M 111.979
V-Class (638/2)	V 200	02.97-07.03	95	M 111.948/ .950
	V 230	10.96-07.03	105	M 111.978
Vito Bus (638)	113 2.0	02.96-07.03	95	M 111.948/ .950
	114 2.3	12.96-07.03	105	M 111.978
Vito Van (638)	113 2.0	03.97-07.03	95	M 111.948/ .950
	114 2.3	03.97-07.03	105	M 111.978

VW

LT 28-35 II Bus	2.3	05.96-07.06	105	AGL
LT 28-46 II Flatbed	2.3	06.96-07.06	105	AGL
LT 28-46 II Van	2.3	05.96-07.06	105	AGL

CL605



CHRYSLER

Crossfire	3.2	07.03-12.08	160	EGX
	3.2 SRT-6	09.04-12.07	246	EGZ
Crossfire Roadster	3.2	05.04-12.08	160	EGX
	3.2 SRT-6	09.04-12.06	246	EGZ

MERCEDES

A-CLASS (W169)	A 150	09.04-06.12	70	M 266.920
	A 160	04.09-06.12	70	M 266.920
	A 170	09.04-06.12	85	M 266.940
	A 180	04.09-06.12	85	M 266.940
	A 200	09.04-06.12	100	M 266.960
	A 200 Turbo	09.05-06.12	142	M 266.980
B-CLASS (W245)	B 150	03.05-11.11	70	M 266.920
	B 160	04.09-11.11	70	M 266.920
	B 170	03.05-11.11	85	M 266.940
	B 180	04.09-11.11	85	M 266.940
	B 200	03.05-11.11	100	M 266.960
	B 200 Turbo	03.05-11.11	142	M 266.980
C-CLASS (W202)	C 240	06.97-05.00	125	M 112.910
	C 280	06.97-05.00	145	M 112.920
	C 43 AMG	08.97-05.00	225	M 113.944
C-CLASS (W203)	C 230	01.05-02.07	150	M 272.920
	C 240	05.00-02.07	125	M 112.912
	C 240 4-matic	07.02-02.07	125	M 112.916
	C 32 AMG Kompr.	02.01-02.07	260	M 112.961
	C 320	05.00-02.07	160	M 112.946
	C 320 4-matic	07.02-02.07	160	M 112.953
	C 350	01.05-02.07	200	M 272.960
	C 350 4-matic	01.05-02.07	200	M 272.960/ .970
	C 55 AMG	02.04-02.07	270	M 113.988
C-CLASS Coupe (CL203)	C 32 AMG Kompr.	05.02-05.08	260	M 112.961
	C 320	09.02-05.08	160	M 112.946
	C 350	01.05-05.08	200	M 272.960
C-CLASS Kombi (S202)	C 240 T	06.97-09.00	125	M 112.910
	C 240 T	09.00-03.01	125	M 112.915
	C 280 T	06.97-03.01	145	M 112.920
	C 43 AMG	08.97-03.01	225	M 113.944

< CL605
MERCEDES

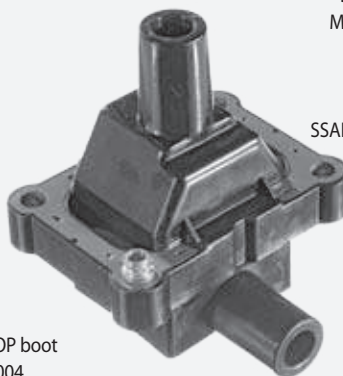
C-Class T-Model (S203)	C 240	03.01-08.07	125	M 112.912	
	C 240 4-matic	07.02-08.07	125	M 112.916	
	C 32 AMG Kompr.	03.01-08.07	260	M 112.961	
	C 320	03.01-08.07	160	M 112.946	
	C 320 4-matic	07.02-08.07	160	M 112.953	
	C 350	01.05-08.07	200	M 272.960	
	C 350 4-matic	01.05-08.07	200	M 272.970	
	C 55 AMG	02.04-08.07	270	M 113.988	
	CLK (C208)	320	06.97-06.02	160	M 112.940
		430	07.98-06.02	205	M 113.943
55 AMG		08.99-06.02	255	M 113.981/_.984	
CLK (C209)	240	06.02-05.09	125	M 112.912	
	320	06.02-05.09	160	M 112.955	
	500	06.06-05.09	285	M 273.965	
	500	06.02-05.09	225	M 113.968	
	55 AMG	09.02-05.09	270	M 113.987	
	55 DTM AMG	06.04-05.09	428	M 113.994	
CLK Cabriolet (A208)	320	03.98-03.02	160	M 112.940	
	430	09.98-03.02	205	M 113.943	
	55 AMG	01.00-03.02	255	M 113.981/_.984	
CLK Cabriolet (A209)	CLK 240	02.03-03.10	125	M 112.912	
	CLK 320	02.03-03.10	160	M 112.955	
	CLK 500	02.03-03.10	225	M 113.968	
	CLK 55 AMG	02.03-03.10	270	M 113.987	
CLS (C219)	CLS 500	10.04-12.10	225	M 113.967	
	CLS 55 AMG	01.05-12.10	350	M 113.990	
E-Class (W210)	E 240	06.97-08.00	125	M 112.911	
	E 240	08.00-03.02	125	M 112.914	
	E 280	12.96-03.02	150	M 112.921	
	E 280 4-matic	12.96-03.02	150	M 112.921	
	E 320	06.97-03.02	165	M 112.941	
	E 320 4-matic	06.97-03.02	165	M 112.941	
	E 430	06.97-03.02	205	M 113.940	
	E 430 4-matic	05.99-03.02	205	M 113.940	
	E 55 AMG	08.97-03.02	260	M 113.980	
	E 55 AMG 4-matic	03.01-03.02	260	M 113.980	
	E-Class (W211)	E 240	03.02-12.08	130	M 112.917/_.913
		E 240 4-matic	03.03-12.08	130	M 112.917
		E 320	03.02-12.08	165	M 112.949
		E 320 4-matic	03.03-12.08	165	M 112.954
E 500		03.02-12.08	225	M 113.967	
E 500		04.06-12.08	285	M 273.960	
E 500 4-matic		10.03-12.08	225	M 113.969	
E 500 4-matic		04.06-12.08	285	M 273.962	
E 55 AMG Kompr.		10.02-12.08	350	M 113.990	
E-Class Kombi (S210)		E 240T	06.97-03.03	125	M 112.911
	E 240T	08.00-03.03	125	M 112.914	
	E 280T	12.96-03.03	150	M 112.921	
	E 280T 4-matic	12.96-03.03	150	M 112.921	
	E 320T	12.96-03.03	165	M 112.941	
	E 320T 4-matic	12.96-03.03	165	M 112.941	
	E 430T	06.97-03.03	205	M 113.940	
	E 430T 4-matic	05.99-03.03	205	M 113.940	
	E 55T AMG	08.97-03.03	260	M 113.980	
	E 55T AMG 4-matic	03.01-03.03	260	M 113.980	
	E-Class T-Model (S211)	E 240T	03.03-07.09	130	M 112.913
		E 240T 4-matic	07.03-07.09	130	M 112.917
		E 320T	03.03-07.09	165	M 112.949
		E 320T 4-matic	07.03-07.09	165	M 112.954
E 500T		10.03-07.09	225	M 113.967	
E 500T		04.06-07.09	285	M 273.960	
E 500T 4-matic		10.03-07.09	225	M 113.969	
E 500T 4-matic		04.06-07.09	285	M 273.962	
E 55T AMG Kompr.		07.03-07.09	350	M 113.990	
G-Class (W463)		G 320	07.97-	158	M 112.945
	G 500	04.98-	218	M 113.962	
	G 55 AMG	04.99-	260	M 113.982	
	G 55 AMG	08.08-	373	M 113.993	
	G 55 AMG	06.04-	350	M 113.993	
	G 55 AMG	08.06-	368	M 113.993	
G-Class Cabrio (W463)	G 320	11.97-	158	M 112.945	

< CL605
MERCEDES

G-Class Cabrio (W463)	G 500	04.98-	218	M 113.962	
M-Class (W163)	ML 320	02.98-08.02	160	M 112.942	
	ML 350	08.02-06.05	180	M 112.970	
	ML 350 4-matic	02.03-06.05	173	M 112.970	
	ML 430	02.98-06.05	200	M 113.942	
	ML 500	09.01-06.05	215	M 113.964/_.965	
	ML 55 AMG	02.00-06.05	255	M 113.981	
M-Class (W164)	ML 500 4-matic	07.05-	225	M 113.964	
R-Class (W251, V251)	R 500 4-matic	01.06-	225	M 113.971	
S-Class (W220)	S 280	10.98-08.05	150	M 112.922	
	S 320	10.98-08.05	165	M 112.944	
	S 350	09.02-08.05	180	M 112.972	
	S 350 4-matic	06.03-08.05	180	M 112.975	
	S 430	10.98-08.05	205	M 113.941	
	S 430 4-matic	09.02-08.05	205	M 113.948	
	S 500	10.98-08.05	225	M 113.960/_.966	
	S 500 4-matic	09.02-08.05	225	M 113.966	
	S 55 AMG	04.99-08.05	265	M 113.986	
	S 55 AMG Kompr.	06.02-08.05	368	M 113.991	
	S-Class Coupe (C215)	CL 500	03.99-03.06	225	M 113.960
		CL 55 AMG	10.99-03.06	265	M 113.986
		CL 55 AMG Kompr.	06.02-03.06	368	M 113.991
SL (R129)	280	05.98-10.01	150	M 112.923	
	320	05.98-10.01	165	M 112.943	
	500	05.98-10.01	225	M 113.961	
	55 AMG	03.00-10.01	260	M 113.985	
	500	03.06-01.12	285	M 273.965	
SL (R230)	350	03.03-01.12	180	M 112.973	
	500	10.01-01.12	225	M 113.963	
	55 AMG	03.06-01.12	380	M 113.995	
	55 AMG	10.01-06.02	350	M 113.992	
	55 AMG Kompr.	06.02-01.12	368	M 113.992	
SLK (R170)	32 AMG Kompr.	03.01-04.04	260	M 112.960	
	320	03.00-04.04	160	M 112.947	
SLK (R171)	55 AMG	06.04-02.11	265	M 113.989	
SLR (R199)	5.4	04.04-	460	M 155.980	
	5.4 722 Edition	10.06-	478	M 155.980	
SLR Roadster (R199)	5.4	04.07-	460	M 155.980	
	5.4	10.06-	478	M 155.980	
Viano (W639)	3.0	09.03-	140	M 112.951	
	3.2	09.03-	160	M 112.951	
	3.7	06.04-	170	M 112.976	
Vito / Mixto Van (W639)	119	09.03-	140	M 112.951	
	122	09.03-	160	M 112.951	
Vito Bus (W639)	119	09.03-	140	M 112.951	
	122	09.03-	160	M 112.951	
	123	06.04-	170	M 112.976	

CL606

PIN	OEM-No.
	DAEWOO 0001587003
	MERCEDES 0001587103
	0001587503
	A0001587103
	A 0001587503
	SSANG YONG 0001587003



coil without COP boot
 spare boot CP004
 semidirect - 2 (3) coils and ignition lead set T743C/T982C (T623C/T624C)

DAEWOO

Korando (KJ)	2.3	01.99-	105	M 161.970
	3.2 4x4	01.99-	156	M 104.995
Korando Cabrio (KJ)	2.0 16V	02.99-	94	M 161.950
	2.3	02.99-	105	M 161.970

< CL606

DAEWOO				
Musso (FJ)	2.3	01.99-	103 M 111.970	
	3.2 4x4	01.99-	162 M 104.992	
Rexton (GAB_)	3.2 V6	04.02-	162 M 162.992	
MERCEDES				
C-Class (W202)	C 180	09.95-05.00	90 M 111.921	
	C 180	11.94-05.00	89 M 111.921	
	C 200	09.95-05.00	100 M 111.945	
	C 200 Kompressor	10.95-05.00	132 M 111.944	
	C 200 Kompressor	11.96-05.00	141 M 111.944	
	C 220	06.96-06.97	110 M 111.974	
	C 230 Kompressor	10.95-05.00	142 M 111.975	
	C 280	05.93-05.00	142 M 104.941	
	C 36 AMG	05.94-05.00	206 M 104.941 AMG	
	C-Class Kombi (S202)	C 180 T	06.96-09.00	90 M 111.921
		C 200 T	06.96-03.01	100 M 111.945
C 200 T Kompr.		11.96-03.01	141 M 111.944	
C 230 T		06.96-06.98	110 M 111.974	
C 230 T Kompr.		06.97-09.00	142 M 111.975	
CLK (C208)	200	06.97-06.02	100 M 111.945	
	200 Kompressor	06.97-06.00	141 M 111.944	
	230 Kompressor	06.97-06.00	142 M 111.975/_.973	
CLK Cabriolet (A208)	200	03.98-03.02	100 M 111.941	
	200 Kompressor	03.98-06.00	141 M 111.944	
	230 Kompressor	03.98-06.00	142 M 111.975/_.973	
E-Class (W210)	E 200	06.95-08.00	100 M 111.942	
	E 200 Kompressor	06.97-03.02	137 M 111.947	
	E 230	06.95-06.97	110 M 111.970	
E-Class Kombi (S210)	E 200 T	06.96-08.00	100 M 111.942	
	E 200 T Kompr.	06.97-03.03	137 M 111.947	
	E 230 T	06.96-06.97	110 M 111.970	
M-Class (W163)	ML 230	02.98-06.05	110 M 111.977	
S-Class (W140)	300 SE 2.8	01.93-10.98	145 M 104.944	
	300 SE,SEL/S320	03.91-10.98	170 M 104.994	
	S 280	02.93-10.98	142 M 104.944	
SLK (R170)	200	09.96-03.00	100 M 111.946	
	200 Kompressor	03.00-04.04	120 M 111.958	
	200 Kompressor	10.96-03.00	141 M 111.943	
	230 Kompressor	09.96-03.00	142 M 111.973	
Sprinter 2-t Bus	214	02.95-05.06	105 M 111.979	
	214 NGT	04.00-05.06	92 M 111.984	
Sprinter 2-t Flatbed	214	02.95-05.06	105 M 111.979	
	214 NGT	04.00-05.06	92	
Sprinter 2-t Van	214	02.95-05.06	105 M 111.979/_.984	
	214 NGT	04.00-05.06	92 M 111.984	
Sprinter 3-t Bus	314	02.95-05.06	105 M 111.984	
	314 4x4	08.02-05.06	105 M 111.984	
	314 NGT	04.00-05.06	92 M 111.984	
Sprinter 3-t Flatbed	314	02.95-05.06	105 M 111.984	
	314 4x4	08.02-05.06	105 M 111.984	
	314 NGT	04.00-05.06	92	
Sprinter 3-t Van	314	02.95-05.06	105 M 111.979/_.984	
	314 4x4	08.02-05.06	105 M 111.984	
	314 NGT	04.00-05.06	92	
Sprinter 4-t Bus	414	02.96-05.06	105 M 111.979	
Sprinter 4-t Flatbed	414	02.96-05.06	105 M 111.979	
	414 4x4	05.97-05.06	105 M 111.979	
Sprinter 4-t Van	414	02.96-05.06	105 M 111.979	
	414 4x4	05.97-05.06	105 M 111.979	
V-Class (638/2)	V 200	02.97-07.03	95 M 111.948/_.950	
	V 230	10.96-07.03	105 M 111.978	
Vito Bus (638)	113 2.0	02.96-07.03	95 M 111.948/_.950	
	114 2.3	12.96-07.03	105 M 111.978	
Vito Van (638)	113 2.0	03.97-07.03	95 M 111.948/_.950	
	114 2.3	03.97-07.03	105 M 111.978	
SSANG YONG				
Korando (KJ)	2.0	05.97-	94	
	2.3	05.97-	103 M 111.970	
	2.3	01.99-	105	
	3.2	12.96-	154 M 104.995	
	3.2	01.99-	156 M 104.995	
	3.2	06.97-	162 M 104.992	

< CL606

SSANG YONG			
Korando Cabrio (KJ)	2.3	11.97-	103
	2.3	02.99-	105
	3.2	01.99-	156 M 104.995
	3.2	06.97-	162 M 104.992
Musso (FJ)	2.0	10.96-	93 E20
	2.3	10.96-	103 M 111.970
	2.3	04.03-	110
	3.2	06.96-	162 M 104.992
Rexton (GAB_)	3.2	04.02-	162 G32D
TAGAZ			
Road Partner	2.3 4x4	01.08-	110
	3.2 4x4	01.08-	162
Tager	2.3	10.08-	110
	2.3 4x4	10.08-	110
Tager	3.2 4x4	10.08-	162

CL607

PIN	OEM-No.
	SMART 0003100V003
	0003100V004
	0003100V005
	C0003100V003
	C0003100V004
	C0003100V005



SMART

Cabrio (450)	0.6	03.00-01.04	40 M 160 E6AL /_.920
	0.6	01.01-01.04	45 M 160 E6AL /_.920
	0.6	06.02-01.04	52 M 160.920
City-Coupe (450)	0.7	01.03-01.04	45 M 160.910
	0.7	01.03-01.04	55 M 160.910
	0.6	07.98-01.04	33 M 160 E6AL /_.920
Crossblade (450)	0.6	07.98-01.04	40 M 160 E6AL /_.920
	0.6	01.01-01.04	45 M 160 E6AL /_.920
	0.6	06.02-01.04	52 M 160.920
Fortwo Cabrio (450)	0.7	01.03-01.04	37 M 160.910
	0.7	01.03-01.04	45 M 160.910
	0.7	01.03-01.04	55 M 160.910
Fortwo Coupe (450)	0.6	06.02-12.03	52 M 160.920
	0.7	01.04-01.07	45 M 160.910
	0.7	01.04-01.07	55 M 160.910
Roadster (452)	0.7	01.04-01.07	55 M 160.910
	0.7	01.04-01.07	55 M 160.910
	0.7	04.03-11.05	45 M 160.921
Roadster Coupe (452)	0.7	04.03-11.05	60 M 160.922
	0.7 Brabus	12.03-11.05	74 M 160.923
	0.7	06.03-11.05	45 M 160.922
	0.7	04.03-11.05	60 M 160.921
	0.7 Brabus	12.03-11.05	74 M 160.923

CL609

DIN	OEM-No.
	MERCEDES 0001584503
	0001584803
	0001585003
	0001585303
	0001586103





M6



M5

MERCEDES

190 (W201)	E 1.8	04.90-08.93	80	M 102.910
	E 2.0	10.82-06.93	90	M 102.961/_962
	E 2.3	10.86-08.93	100	M 102.985
	E 2.3-16	09.85-12.87	125	M 102.983
	E 2.3-16	09.85-08.88	130	M 102.983
	E 2.3-16	04.84-01.87	136	M 102.983
	E 2.5-16	03.89-08.93	143	M 102.991
	E 2.5-16	09.88-08.93	150	M 102.990
	E 2.6	09.86-08.93	118	M 103.942
	E Evolution II 2.5	05.90-08.93	173	M 102.992
Coupe (C124)	230 CE	03.87-12.92	100	M 102.982
	230 CE	03.87-12.92	97	M 102.982
	230 CE cat	06.89-12.92	97	M 102.982
	300 CE	03.87-05.93	132	M 103.983
E-Class (W124)	E 300 4-matic	06.93-06.95	132	M 103.985
E-Class Kombi (S124)	E 300 T 4-matic	06.93-06.96	132	M 103.985
G-Class (W461)	230 GE	06.93-	92	M 102.996/_997
G-Class (W463)	230 GE	06.90-06.93	93	M 102.989
	300 GE	06.90-	128	M 103.987
	300 GE	06.90-	125	M 103.987
G-Class Cabrio (W463)	230 GE	06.90-02.93	93	M 102.989
	300 GE	09.89-09.97	125	M 103.987
Kombi (S124)	200 T	01.86-05.90	77	M 102.922
	200 T	09.85-08.89	80	M 102.922
	200 TE	09.88-12.89	90	M 102.962
	200 TE	09.88-08.92	87	M 102.963
	230 TE	09.85-08.92	100	M 102.982
	230 TE	09.85-08.92	97	M 102.982
	230 TE cat	06.89-08.92	97	M 102.982
	300 TE 4-matic	09.86-06.93	132	M 103.985
S-Class (W126)	260 SE	09.85-06.91	118	M 103.941
	260 SE	09.85-06.91	122	M 103.941
	300 SE,SEL	01.86-06.91	132	M 103.981
	300 SE,SEL	09.85-12.89	138	M 103.981
	380 SE,SEL	12.79-08.85	150	M 116.963
	500 SE,SEL	12.79-08.85	170	M 117.961/_963
	500 SE,SEL	12.79-08.85	177	M 117.961/_963
S-Class (W140)	400 SE,SEL/S420	02.91-10.98	210	M 119.971
	500 SE,SEL	02.91-05.93	240	M 119.970
	600 SE,SEL	04.91-12.92	300	M 120.982/_980
	S 420	01.93-10.98	205	M 119.971
	S 500	01.93-10.98	235	M 119.970
	S 600	01.93-10.98	290	M 120.982/_980
S-Class Coupe (C126)	380 SEC	10.81-07.85	150	M 116.963
	500 SEC	10.81-08.85	170	M 117.963
S-Class Coupe (C140)	SEC/CL 500	10.92-02.99	235	M 119.970
Sedan (W124)	200	01.86-05.90	77	M 102.922
	200	01.86-05.90	75	M 102.922
	200	12.85-05.90	80	M 102.922
	200 E	09.88-08.92	87	M 102.963
	200 E	09.88-12.89	90	M 102.963
	230 E	12.84-03.92	97	M 102.982
	230 E	01.85-06.93	100	M 102.982
	230 E cat	06.89-06.93	97	M 102.982


< CL609

MERCEDES				
Sedan (W124)	260 E	09.85-08.92	118	M 103.940
	260 E	09.85-12.89	122	M 103.940
	260 E 4-matic	09.86-08.92	118	M 103.943
	260 E 4-matic	12.86-12.89	122	M 103.940
	300 E 4-matic	09.86-06.93	132	M 103.985
	500 E	01.91-06.93	240	M 119.974
	500 E AMG 6.0	01.92-06.93	275	
SL (R107)	500 SL	05.80-12.85	170	M 117.960
	500 SL	05.80-12.81	177	M 117.960
SL (R129)	500 SL	09.89-08.92	240	M 119.960/_972

CL610

OEM-No.	
MERCEDES 0001501380	






MERCEDES

A-Class (W168)	A 140	07.97-08.04	60	M 166.940
	A 140	01.01-08.04	60	M 166.960
	A 160	07.97-08.04	75	M 166.960
	A 190	03.99-08.04	92	M 166.990
	A 210	03.02-08.04	103	M 166.995
Vaneo (414)	1.6	02.02-07.05	60	M 166.961
	1.6	02.02-07.05	75	M 166.961
	1.9	02.02-07.05	92	M 166.991

CL611

PIN		OEM-No.	
		MERCEDES 0001500480	
		0001586803	
		A0001500480	
		A0001586803	





M5



M5

MERCEDES

C-Class (W202)	C 180	03.93-08.95	90	M 111.920
	C 200	01.94-08.95	100	M 111.941
	C 220	03.93-05.00	110	M 111.961
C-Class Kombi (S202)	C 180 T	06.96-09.00	90	M 111.920
	C 200 T	06.96-03.01	100	M 111.941
Coupe (C124)	220 CE	10.92-05.93	110	M 111.960
E-Class (W124)	E 200	06.93-06.95	100	M 111.940
	E 220	06.93-06.95	110	M 111.960
E-Class Cabrio (A124)	E 200	06.93-03.98	100	M 111.940
	E 220	06.93-03.98	110	M 111.960
E-Class Coupe (C124)	E 200	06.93-06.97	100	M 111.940
	E 220	06.93-06.97	110	M 111.960
E-Class Kombi (S124)	E 200 T	06.93-06.96	100	M 111.940
	E 220 T	06.93-06.96	110	M 111.960
Kombi (S124)	200 TE	05.86-06.93	100	M 111.940
	220 TE	10.92-05.93	110	M 111.960

CL611

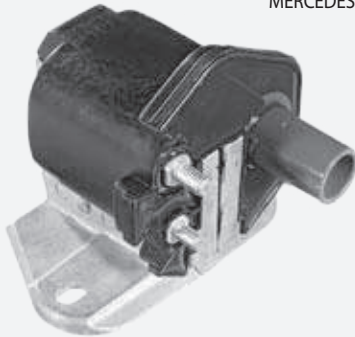
< CL611

MERCEDES

Sedan (W124)	200 E	10.92-06.93	100	M 111.940
	220 E	10.92-06.93	110	M 111.960

CL612

DIN	OEM-No.
	MERCEDES 0001586403



MERCEDES

Cabriolet (A124)	300 CE-24	04.92-06.93	162	M 104.980	
Coupe (C124)	300 CE-24	09.89-12.92	162	M 104.980	
E-Class (W124)	E 420	06.93-06.95	205	M 119.975	
	E 500	06.93-06.95	235	M 119.974	
G-Class (W463)	300 GE	06.90-07.93	128	M 103.987	
Kombi (S124)	300 TE-24	09.89-08.92	162	M 104.980	
S-Class (W126)	420 SE,SEL	10.85-06.91	165	M 116.965	
	420 SE,SEL	10.85-12.87	170	M 116.965	
	420 SE,SEL	10.85-12.87	160	M 116.965	
	420 SE,SEL	10.85-06.91	150	M 116.965	
	500 SE,SEL	09.87-06.91	185	M 117.965	
	500 SE,SEL	09.87-06.91	195	M 117.965	
	500 SE,SEL	09.85-06.91	164	M 117.965	
	500 SE,SEL	09.85-06.91	180	M 117.964/_.980	
	500 SE,SEL cat	06.89-06.91	185	M 117.965	
	560 SE,SEL	08.87-06.91	205	M 117.968	
	560 SE,SEL	10.85-06.91	220	M 117.968	
	560 SE,SEL	10.85-12.87	200	M 117.968	
	560 SE,SEL	10.85-06.91	178	M 117.968	
	S-Class (W140)	600 SE,SEL	04.91-12.92	300	M 120.982/_.980
		S 600	01.93-10.98	290	M 120.982/_.980
S-Class Coupe (C126)	420 SEC	10.85-06.91	150	M 116.965	
	420 SEC	10.85-12.87	160	M 116.965	
	420 SEC	10.85-06.91	165	M 116.965	
	500 SEC	10.85-06.91	164	M 117.965	
	500 SEC	09.85-06.91	180	M 117.965	
	500 SEC	08.87-06.91	185	M 117.965	
	500 SEC	09.85-06.91	195	M 117.965	
	500 SEC cat	06.89-06.91	185	M 117.965	
	560 SEC	10.85-06.91	178	M 117.968	
	560 SEC	10.85-12.87	200	M 117.968	
	560 SEC	10.85-06.91	205	M 117.968	
	560 SEC	10.85-12.89	220	M 117.968	
S-Class Coupe (C140)	SEC/CL 600	09.92-02.99	290	M 120.982/_.980	
Sedan (W124)	300 E-24	09.88-08.92	162	M 104.980	
	400 E 4.2	10.92-06.93	205	M 119.975	
	500 E	01.91-06.93	240	M 119.974	
SL (R129)	500	09.92-10.01	235	M 119.972	
	600	07.92-10.01	290	M 120.981	

ignition coils



CL613

DIN	OEM-No.
	MERCEDES 0001586503 A0001586503



MERCEDES

E-Class (W124)	E 420	06.93-06.95	205	M 119.975
	E 500	06.93-06.95	235	M 119.974
	E 60 AMG	05.94-06.95	280	M 119.974 AMG
S-Class (W140)	300 SE,SEL/S320	03.91-10.98	170	M 104.990
	400 SE,SEL/S420	09.92-10.98	210	M 119.971
	500 SE,SEL	02.91-05.93	240	M 119.970
	600 SE,SEL	04.91-12.92	300	M 120.982/_.980
	S 500	06.93-10.98	235	M 119.970
S-Class Coupe (C140)	SEC/CL 420	10.94-02.99	205	M 119.971
	SEC/CL 500	10.92-02.99	235	M 119.970
Sedan (W124)	SEC/CL 600	09.92-02.99	290	M 120.982/_.980
	400 E 4.2	10.92-06.93	205	M 119.975
	500 E	01.91-06.93	240	M 119.974
SL (R107)	500 E AMG 6.0	01.92-06.93	275	
	420 SL	01.86-08.89	150	M 116.964
	420 SL	01.86-08.89	160	M 116.964
	500 SL	01.86-08.89	164	M 117.964
	500 SL	01.86-08.89	180	M 117.964/_.960
SL (R129)	300 SL-24	03.89-07.93	170	M 104.981
	500	09.92-10.01	235	M 119.972
	600	07.92-10.01	290	M 120.981

CL614

DIN	OEM-No.
	MERCEDES 0001585003 0001586203 A0001586203



MERCEDES

190 (W201)	E 2.3-16	09.85-12.87	125	M 102.983
	E 2.3-16	09.85-08.88	130	M 102.983
	E 2.3-16	04.84-01.87	136	M 102.983
	E 2.5-16	03.89-08.93	143	M 102.991
	E 2.5-16	09.88-08.93	150	M 102.990
	E Evolution II 2.5	05.90-08.93	173	M 102.992
	Coupe (C124)	230 CE	03.87-12.92	100
230 CE		03.87-12.92	97	M 102.982
230 CE cat		06.89-12.92	97	M 102.982
E-Class (W124)	E 60 AMG	05.94-06.95	280	M 119.974 AMG
G-Class (W461)	230 GE	02.93-	90	M 102.979
G-Class (W463)	230 GE	06.90-06.93	93	M 102.989
	300 GE	06.90-07.93	128	M 103.987
	300 GE	06.90-	125	M 103.987
G-Class Cabrio (W463)	230 GE	06.90-02.93	93	M 102.989
	300 GE	09.89-09.97	125	M 103.987

< CL614
MERCEDES

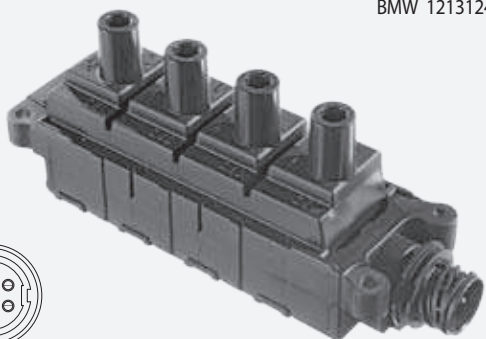
Kombi (S124)	200 T	01.86-05.90	77	M 102.922	
	200 T	09.85-08.89	80	M 102.922	
	200 TE	09.88-12.89	90	M 102.962	
	200 TE	09.88-08.92	87	M 102.963	
	230 TE	09.85-08.92	100	M 102.982	
	230 TE	09.85-08.92	97	M 102.982	
S-Class (W126)	230 TE cat	06.89-08.92	97	M 102.982	
	260 SE	09.85-06.91	118	M 103.941	
	260 SE	09.85-06.91	122	M 103.941	
	300 SE,SEL	01.86-06.91	132	M 103.981	
S-Class (W140)	300 SE,SEL	09.85-12.89	138	M 103.981	
	400 SE,SEL/S420	02.91-05.93	210	M 119.971	
	500 SE,SEL	02.91-05.93	240	M 119.970	
	S 420	06.93-10.98	205	M 119.971	
S-Class Coupe (C140)	S 500	06.93-10.98	235	M 119.970	
	SEC/CL 500	10.92-02.99	235	M 119.970	
Sedan (W124)	200	01.86-05.90	77	M 102.922	
	200	01.86-05.90	75	M 102.922	
	200	12.85-05.90	80	M 102.922	
	200 E	09.88-08.92	87	M 102.963	
	200 E	09.88-12.89	90	M 102.963	
	230 E	12.84-03.92	97	M 102.982	
	230 E	01.85-06.93	100	M 102.982	
	230 E cat	06.89-06.93	97	M 102.982	
	260 E	09.85-08.92	118	M 103.940	
	260 E	09.85-12.89	122	M 103.940	
	500 E	01.91-06.93	240	M 119.974	
	500 E AMG 6.0	01.92-06.93	275		
	SL (R129)	300 SL	03.89-08.93	140	M 103.984
		500 SL	09.89-08.92	240	M 119.960/_972

CL615

PIN

OEM-No.

BMW 12131247281


BMW

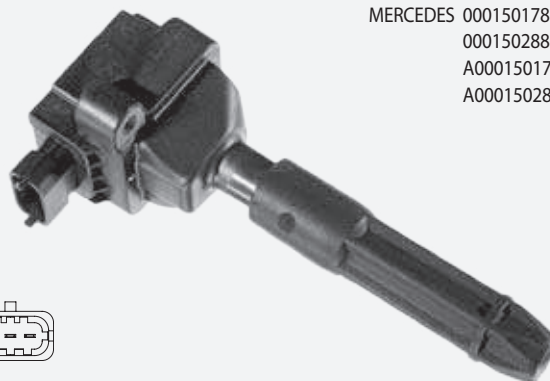
3 (E30)	318 is	09.89-08.91	100	M42 B18 (184S1)
3 (E36)	316 i	07.93-02.98	75	M43 B16 (164E2)
	318 i	10.93-02.98	85	M43 B18 (184E2)
	318 is	09.93-02.98	103	M42 B18 (184S1)
	318 is	09.95-02.98	103	M44 B19 (194S1)
	316 i	09.98-02.05	77	M43 B19 (194E1)
3 (E46)	316 i	04.00-02.05	77	M43 B16 (164E3)
	318 i	02.98-09.01	87	M43 B19 (194E1)
	318 i	01.94-04.99	85	M43 B18 (184E2)
3 Cabriolet (E36)	316 g	03.94-08.00	75	M43 B16 (164E2)
	316 i	03.94-08.00	75	M43 B16 (164E2)
	316 i	12.98-08.00	77	M43 B19 (194E1)
	318 ti	11.94-08.95	103	M42 B18 (184S1)
	318 ti	07.95-08.00	103	M44 B19 (194S1)
	316 i	09.93-04.99	75	M43 B16 (164E2)
3 Coupe (E36)	318 is	03.92-10.95	103	M42 B18 (184S1)
	318 is	09.95-04.99	103	M44 B19 (194S1)
	316 Ci	04.00-07.06	77	M43 B16 (164E3)
3 Coupe (E46)	318 Ci	11.99-09.01	87	M43 B19 (194E1)
	316 i	01.96-10.99	75	M43 B16 (164E2)
3 Touring (E36)	318 i	07.95-10.99	85	M43 B18 (184E2)
	318 i	10.99-09.01	87	M43 B19 (194E1)
3 Touring (E46)	318 i	10.99-09.01	87	M43 B19 (194E1)
5 (E34)	518 i	08.89-09.95	85	M43 B18 (184E2)

< CL615
BMW

5 Touring (E34)	518 g	11.95-06.96	85	M43 B18 (184E2)
	518 i	09.94-01.97	85	M43 B18 (184E2)
Z3 (E36)	1.8	10.95-10.98	85	M43 B18 (184E2)
	1.9	10.95-03.99	103	M44 B19 (194S1)
	1.9	07.98-01.03	87	M43 B19 (194E1)
	1.9	01.99-01.03	85	M43 B19 (194E1)

CL616

OEM-No.

 MERCEDES 0001501780
 0001502880
 A0001501780
 A0001502880


1 coil per cylinder

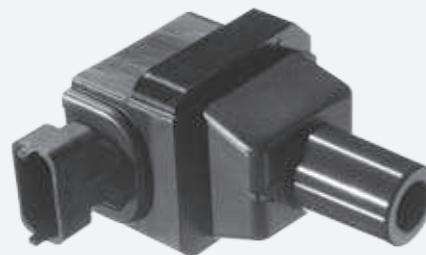
MERCEDES

C-Class (W203)	C 180	10.00-05.02	95	M 111.951
	C 200 Kompressor	05.00-06.02	120	M 111.955
C-Class Coupe (CL203)	C 180	03.01-05.02	95	M 111.951
	C 200 Kompressor	03.01-05.02	120	M 111.955
	C 230 Kompressor	03.01-05.02	145	M 111.981
C-Class Kombi (S202)	C 180 T	09.00-03.01	95	M 111.952
	C 200 T Kompr.	09.00-03.01	120	M 111.956
C-Class T-Model (S203)	C 180	03.01-05.02	95	M 111.951
	C 200 Kompressor	03.01-05.02	120	M 111.955
CLK (C208)	200 Kompressor	06.00-06.02	120	M 111.956
	230 Kompressor	06.00-06.02	145	M 111.982
CLK Cabriolet (A208)	200 Kompressor	06.00-03.02	120	M 111.956
	230 Kompressor	06.00-03.02	145	M 111.982
E-Class (W210)	E 200 Kompressor	08.00-03.02	120	M 111.957
E-Class Kombi (S210)	E 200 T Kompr.	08.00-03.03	120	M 111.957
SLK (R170)	200 Kompressor	03.00-04.04	120	M 111.958
	230 Kompressor	03.00-04.04	145	M 111.983

CL617

OEM-No.

MERCEDES 0001587203



coil without COP boot

1 coil per cylinder

MERCEDES

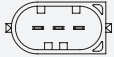
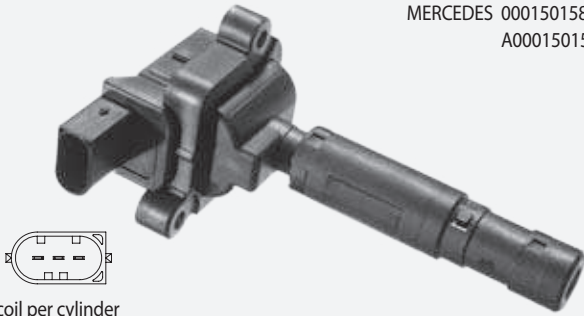
E-Class (W210)	E 420	01.96-06.97	205	M 119.985
	E 50 AMG	02.96-08.97	255	M 119.985 AMG
E-Class Kombi (S210)	E 420 T	06.96-06.97	205	M 119.985
S-Class (W140)	400 SE,SEL/S420	02.91-10.98	210	M 119.971
	500 SE,SEL	06.93-10.98	240	M 119.970
	S 500	01.93-10.98	235	M 119.980
S-Class Coupe (C140)	SEC/CL 420	10.94-02.99	205	M 119.981
	SEC/CL 500	10.92-02.99	235	M 119.970
SL (R129)	500	09.92-10.01	235	M 119.982
	60 AMG	05.97-10.01	280	M 122.981
	600	07.92-10.01	290	M 120.983

CL618

CL618

OEM-No.

MERCEDES 0001501580
A0001501580



1 coil per cylinder

MERCEDES

C-Class (W203)	C 180 Kompressor	05.02-11.06	105	M 271.946
	C 200 CGI Kompr.	07.03-11.06	125	M 271.942
	C 200 Kompressor	05.02-11.06	120	M 271.940
	C 230 Kompressor	02.04-11.06	141	M 271.948
C-Class Coupe (CL203)	C 160 Kompressor	05.02-11.06	90	M 271.921
	C 180 Kompressor	05.02-11.06	105	M 271.946
	C 200 CGI Kompr.	03.03-11.06	125	M 271.942
	C 200 Kompressor	05.02-11.06	120	M 271.940
C-Class T-Model (S203)	C 230 Kompressor	05.02-11.06	141	M 271.948
	C 180 Kompressor	05.02-11.06	105	M 271.946
	C 200 CGI Kompr.	07.03-11.06	125	M 271.942
	C 200 Kompressor	05.02-11.06	120	M 271.940
CLK (C209)	200 CGI	07.03-11.06	125	M 271.942
	200 Kompressor	09.02-11.06	120	M 271.940
CLK Cabriolet (A209)	CLK 200 Kompr.	02.03-11.06	120	M 271.940
E-Class (W211)	E 200 Kompressor	04.06-11.06	135	M 271.956
	E 200 Kompressor	11.02-11.06	120	M 271.941
E-Class T-Model (S211)	E 200 Kompressor	04.06-11.06	135	M 271.956
	E 200 T Kompr.	03.03-11.06	120	M 271.941
SLK (R171)	200 Kompressor	03.04-11.06	120	M 271.944

CL619

OEM-No.

BMW 12137571644
12137582627
12137594935



1 coil per cylinder

BMW

1 (E81)	116 i	03.07-09.12	90	N43 B16 A
	116 i	11.08-09.12	90	N43 B20 A
	118 i	09.06-09.12	105	N43 B20 A
	120 i	09.06-09.12	125	N43 B20 A
1 Cabriolet (E88)	118 i	03.08-	105	N43 B20 A
	120 i	03.08-	125	N43 B20 A
1 Coupe (E82)	120 i	10.07-	125	N43 B20 A
3 (E90)	318 i	09.07-12.11	105	N43 B20 A
	320 i	09.07-12.11	125	N43 B20 A
	325 i	09.07-12.11	160	N53 B30 A
	325 i xDrive	09.08-12.11	160	N53 B30 A
	325 xi	09.07-12.11	160	N53 B30 A
	330 i	09.07-12.11	200	N52 B30A/N53 B30A
	330 i xDrive	09.08-12.11	200	N53 B30 A
	330 xi	09.07-12.11	200	N53 B30 A
3 Cabriolet (E93)	320 i	03.07-	125	N43 B20 A
	325 i	03.07-	160	N53 B30 A
	330 i	03.07-	200	N52 B30A/N53 B30A
3 Coupe (E92)	320 i	03.07-	125	N43 B20 A
	325 i	09.07-	160	N53 B30 A
	325 i xDrive	09.08-	160	N53 B30 A

ignition coils



< CL619

BMW

3 Coupe (E92)	325 xi	09.07-	160	N53 B30 A
	330 i	09.06-	200	N53 B30 A
	330 i xDrive	09.08-	200	N53 B30 A
	330 xi	09.06-	200	N52 B30A/N53 B30A
3 Touring (E91)	318 i	09.07-06.12	105	N43 B20 A
	320 i	09.07-06.12	125	N43 B20 A
	325 i	09.07-06.12	160	N53 B30 A
	325 i xDrive	09.07-06.12	160	N53 B30 A
	325 xi	09.07-06.12	160	N53 B30 A
	330 i	09.07-06.12	200	N53 B30 A
	330 i xDrive	09.07-06.12	200	N53 B30 A
	330 xi	09.07-06.12	200	N53 B30 A
	5 (E60)	520 i	09.07-03.10	125
523 i		01.07-03.10	140	N52 B25A/N53 B25A
525 i		01.07-03.10	160	N53 B30 A
525 i xDrive		09.08-03.10	160	N53 B30 A
525 xi		01.07-03.10	160	N53 B30 A
530 i		01.07-03.10	200	N52 B30A/N53 B30A
530 i xDrive		09.08-03.10	200	N52 B30A/N53 B30A
530 xi		01.07-03.10	200	N52 B30A/N53 B30A
5 (F10, F18)	523 i	12.09-	150	N53 B30 A
	528 i	02.10-	190	N53 B30 A
5 Touring (E61)	520 i	09.07-	125	N43 B20 A
	523 i	01.07-	140	N52 B25A/N53 B25A
	525 i	01.07-	160	N53 B30 A
	525 i xDrive	09.08-	160	N53 B30 A
	525 xi	01.07-	160	N52 B30A/N53 B30A
	530 i	01.07-	200	N52 B30A/N53 B30A
5 Touring (F11)	523 i	09.10-	150	N53 B30 A
	528 i	09.10-	190	N53 B30 A
	530 i xDrive	09.08-	200	N52 B30A/N53 B30A
6 (E63)	630 i	07.07-	200	N52 B30 /N53 B30
	630 i	07.07-	200	N52 B30 /N53 B30

CL620

OEM-No.

PORSCHE 94860210400
94860210401
94860210403
94860210405
94860210407
94860210409



1 coil per cylinder

PORSCHE

Cayenne (955)	S 4.5	09.02-09.07	250	M 48.00
	4.5 Turbo	09.02-09.07	331	M 48.50
	S 4.5 Turbo	01.04-09.07	368	M 48.50S

CL621

OEM-No.

MERCEDES 0001501980
0001502680
0001502780
A0001501980
A0001502680
A0001502780



1 coil per cylinder

MERCEDES

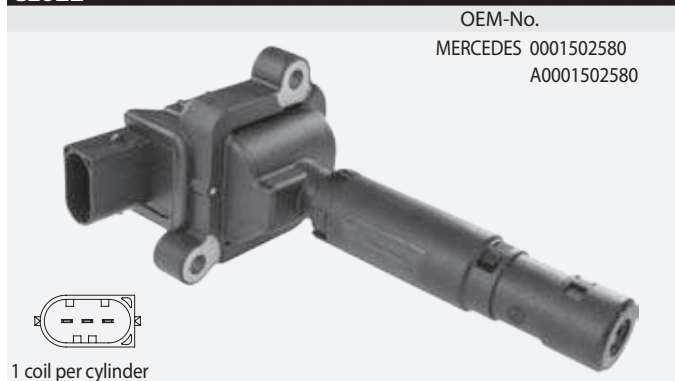
C-Class (W203)	C 230	01.05-02.07	150	M 272.920
	C 280	01.05-02.07	170	M 272.940

< CL621
MERCEDES

C-Class (W203)	C 280 4-matic	01.05-02.07	170	M 272.941
	C 350	01.05-02.07	200	M 272.960
	C 350 4-matic	01.05-02.07	200	M 272.960/_970
C-Class (W204)	C 230	01.07-	150	M 272.921
	C 230 4-matic	07.07-	150	M 272.911
	C 280	01.07-	170	M 272.947
	C 280 4-matic	07.07-	170	M 272.948
	C 300	07.09-	170	M 272.947
	C 300 4-matic	07.07-	170	M 272.948
	C 350	01.07-	200	M 272.961
	C 350	01.11-	225	M 276.957
	C 350 4-matic	07.07-	200	M 272.971
	C 350 4-matic	01.11-	225	M 276.957
	C-Class Coupe (CL203)	C 230	01.05-05.08	150
C 350		01.05-05.08	200	M 272.960
C-Class T-Model (S203)	C 230	01.05-08.07	150	M 272.920
	C 280	01.05-08.07	170	M 272.940
	C 280 4-matic	01.05-08.07	170	M 272.941
	C 350	01.05-08.07	200	M 272.960
	C 350 4-matic	01.05-08.07	200	M 272.970
C-Class T-Model (S204)	C 230	08.07-	150	M 272.921
	C 280	08.07-	170	M 272.947
	C 350	08.07-	200	M 272.961
CLC-Class (CL203)	CLC 230	05.08-06.11	150	M 272.920
	CLC 350	05.08-06.11	200	M 272.960
CLK (C209)	280	01.05-05.09	170	M 272.940
	350	01.05-05.09	200	M 272.960
CLK Cabriolet (A209)	CLK 280	01.05-03.10	170	M 272.940
	CLK 350	01.05-03.10	200	M 272.960
	CLK 500	06.06-03.10	285	M 273.967
CLS (C219)	CLS 280	07.08-12.10	170	M 272.943
	CLS 300	04.09-12.10	170	M 272.943
	CLS 350	10.04-12.10	200	M 272.964
	CLS 500	04.06-12.10	285	M 273.960
E-Class (W211)	E 230	09.07-12.08	150	M 272.922
	E 280	03.05-12.08	170	M 272.943
	E 280 4-matic	01.06-12.08	170	M 272.943
	E 350	03.05-12.08	200	M 272.964
	E 350 4-matic	03.05-12.08	200	M 272.972
	E 500	04.06-12.08	285	M 273.960
E-Class (W212)	E 500 4-matic	04.06-12.08	285	M 273.962
	E 350 4-matic	01.09-08.11	200	M 272.977
E-Class Cabrio (A207)	E 500	01.09-	285	M 273.971
	E 500 4-matic	01.09-	285	M 273.970
E-Class Coupe (C207)	E 500	01.09-	285	M 273.966
E-Class T-Model (S211)	E 230T	05.07-07.09	150	M 272.922
	E 280T	03.05-07.09	170	M 272.943
	E 280T 4-matic	03.05-07.09	170	M 272.943
	E 350T	03.05-07.09	200	M 272.964
	E 350T 4-matic	03.05-07.09	200	M 272.972
	E 500T	04.06-07.09	285	M 273.960
	E 500T 4-matic	04.06-07.09	285	M 273.962
E-Class T-Model (S212)	E 350 4-matic	11.09-	200	M 272.977
	E 500	11.09-	285	M 273.971
GL-Class (X164)	GL 450 4-matic	09.06-	250	M 273.923
	GL 500 4-matic	09.06-	285	M 273.963
GLK-Class (X204)	280 4-matic	06.08-06.09	170	M 272.948
	300 4-matic	07.09-04.11	170	M 272.948
	350 4-matic	06.08-04.11	200	M 272.971
M-Class (W164)	ML 350 4-matic	07.05-	200	
	ML 500 4-matic	12.07-	285	M 273.963
R-Class (W251, V251)	R 280	01.07-	170	M 272.945
	R 300	07.09-	170	M 272.945
	R 350	01.07-	200	M 272.967
	R 350 4-matic	01.06-	200	M 272.967
	R 500 4-matic	01.07-	285	M 273.963
S-Class (W221)	S 350	10.05-	200	M 272.965
	S 350 4-matic	02.08-	200	M 272.975
	S 350 CGI	04.11-	225	M 276.950
	S 350 CGI 4-matic	04.11-	225	M 276.950

< CL621
MERCEDES

S-Class (W221)	S 450	12.05-	250	M 273.922
	S 450 4-matic	12.05-	250	M 273.924
	S 500	10.05-	285	M 273.961
	S 500 4-matic	10.05-	285	M 273.961/_968
S-Class Coupe (C216)	CL 500	06.06-	285	M 273.961
	CL 500 4-matic	02.08-	285	M 273.968
SL (R230)	280	03.08-01.12	170	M 272.949
	300	04.09-01.12	170	M 272.949
	350	03.06-01.12	200	M 272.966
	350	04.08-01.12	232	M 272.968
SLK (R171)	280	01.05-02.11	170	M 272.942
	300	04.09-02.11	170	M 272.942
	350	06.04-02.11	200	M 272.963
	350	01.08-02.11	224	M 272.969
Sprinter 3-t Bus (906)	224	06.06-	190	M 272.979
Sprinter 3-t Flatbed	224	06.06-	190	M 272.979
Sprinter 3-t Van (906)	224	06.06-	190	M 272.979
Sprinter 3,5-t Bus (906)	324	06.06-	190	M 272.979
Sprinter 3,5-t Flatbed	324	06.06-	190	M 272.979
Sprinter 3,5-t Van (906)	324	06.06-	190	M 272.979
Sprinter 4,6-t Flatbed	424	06.06-	190	M 272.979
Sprinter 4,6-t Van (906)	424	06.06-	190	M 272.979
Sprinter 5-t Flatbed	524	06.06-	190	M 272.979
Sprinter 5-t Van (906)	524	06.06-	190	M 272.979
Vito / Mixto Van (W639)	126	09.07-	190	M 272.978
Vito Bus (W639)	126	09.07-	190	M 272.978

CL622

MERCEDES

C-Class (W203)	C 180 Kompressor	11.06-02.07	105	M 271.946
	C 200 CGI Kompr.	11.06-02.07	125	M 271.942
	C 200 Kompressor	11.06-02.07	120	M 271.940
	C 230 Kompressor	11.06-02.07	141	M 271.948
C-Class (W204)	C 180 CGI	01.07-	115	M 271.820
	C 180 Kompressor	01.08-	115	M 271.910
	C 180 Kompressor	01.07-	115	M 271.952
	C 200 CG	01.07-	135	M 271.820
	C 200 Kompressor	01.07-	135	M 271.950
	C 250 CGI	07.09-	150	M 271.860
C-Class Coupe (C204)	C 180	06.11-	115	M 271.820
	C 250	06.11-	150	M 271.860
C-Class Coupe (CL203)	C 160 Kompressor	11.06-05.08	90	M 271.921
	C 180 Kompressor	11.06-05.08	105	M 271.946
	C 200 CGI Kompr.	11.06-05.08	125	M 271.942
	C 200 Kompressor	11.06-05.08	120	M 271.940
	C 230 Kompressor	11.06-05.08	141	M 271.948
C-Class T-Model (S203)	C 180 Kompressor	11.06-08.07	105	M 271.946
	C 200 CGI Kompr.	11.06-08.07	125	M 271.942
	C 200 Kompressor	11.06-08.07	120	M 271.940
	C 230 Kompressor	11.06-08.07	141	M 271.948
C-Class T-Model (S204)	C 180 CGI	11.09-	115	M 271.820
	C 180 Kompressor	01.08-	115	M 271.910
	C 180 Kompressor	08.07-	115	M 271.952
	C 200 Kompressor	08.07-	135	M 271.950
CLC-Class (CL203)	CLC 160	02.09-06.11	95	M 271.911
	CLC 180 Kompr.	05.08-06.11	105	M 271.946

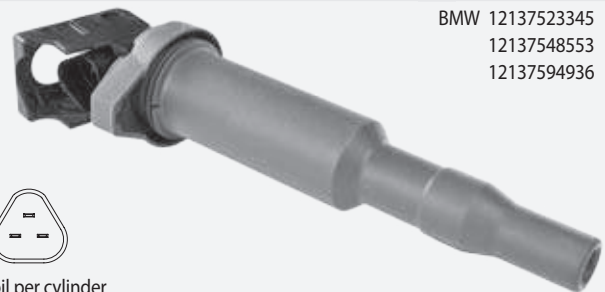
CL622

< CL622

MERCEDES				
CLC-Class (CL203)	CLC 200 Kompr.	05.08-06.11	135	M 271.957
CLK (C209)	200 CGI	11.06-05.09	125	M 271.942
	200 Kompressor	10.06-05.09	135	M 271.955
	200 Kompressor	11.06-05.09	120	M 271.940
CLK Cabriolet (A209)	CLK 200 CGI	07.03-03.10	125	M 271.942
	CLK 200 Kompr.	10.06-03.10	135	M 271.955
	CLK 200 Kompr.	11.06-03.10	120	M 271.940
E-Class (W211)	E 200 Kompressor	11.06-12.08	135	M 271.956
	E 200 Kompressor	11.06-12.08	120	M 271.941
	E 200 NGT	11.06-12.08	120	M 271.941
E-Class (W212)	E 200 CGI	08.09-	135	M 271.820/_.860
	E 200 NGT	03.11-	120	M 271.958
	E 250 CGI	01.09-	150	M 271.860
E-Class Cabrio (A207)	E 200 CGI	01.10-	135	M 271.820/_.860
	E 250 CGI	01.10-	150	M 271.860
E-Class Coupe (C207)	E 200 CGI	01.10-	135	M 271.820/_.860
	E 250 CGI	01.09-	150	M 271.860
E-Class T-Model (S211)	E 200 Kompressor	11.06-07.09	135	M 271.956
	E 200 T Kompr.	11.06-07.09	120	M 271.941
E-Class T-Model (S212)	E 200 CGI	11.09-	135	M 271.860
	E 250 CGI	11.09-	150	M 271.860
SLK (R171)	200 Kompressor	11.06-02.11	120	M 271.944
	200 Kompressor	01.08-02.11	135	M 271.954
SLK (R172)	200	02.11-	135	M 271.860/_.861
	250	02.11-	150	M 271.860/_.861
Sprinter 3,5-t Bus	316	09.08-	115	M 271.951
Sprinter 3,5-t Flatbed	316	09.08-	115	M 271.951
Sprinter 3,5-t Van	316	09.08-	115	M 271.951
Sprinter 5-t Flatbed	516	09.08-	115	M 271.951

CL623

OEM-No.				
BMW 12137523345				
12137548553				
12137594936				



1 coil per cylinder

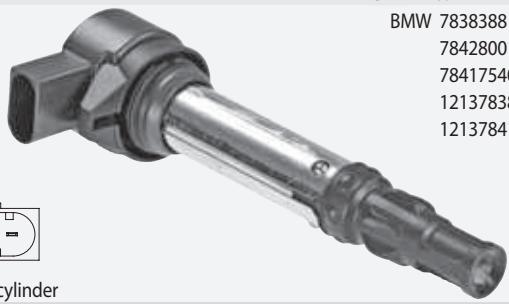
BMW				
3 (E90)	325 i	01.05-04.06	160	N52 B25 A
	325 xi	01.05-04.06	160	N52 B25 A
	330 i	01.05-04.06	190	N52 B30 A
	330 xi	01.05-08.07	190	N52 B30 A
3 Touring (E91)	323 i	04.06-06.07	130	N52 B25 A
	325 i	09.05-04.06	160	N52 B25 A
	325 xi	09.05-04.06	160	N52 B25 A
	330 i	09.05-04.06	190	N52 B30 A
	330 xi	09.05-08.07	190	N52 B30 A
5 (E60)	523 i	07.05-04.06	130	N52 B25 A
	525 i	07.05-04.06	160	N52 B25 A
	525 xi	07.05-03.10	160	N52 B25 A
	530 i	07.05-04.06	190	N52 B30 A
	530 xi	07.05-04.06	190	N52 B30 A
5 Touring (E61)	523 i	07.05-04.06	130	N52 B25 A
	525 i	07.05-04.06	160	N52 B25 A
	525 xi	07.05-	160	N52 B25 A
	530 i	07.05-04.06	190	N52 B30 A
	530 xi	07.05-04.06	190	N52 B30 A
6 (E63)	630 i	09.04-04.06	190	N52 B30 A
6 Cabriolet (E64)	630 i	09.04-04.06	190	N52 B30 A
7 (E65, E66, E67)	730 i,Li	03.05-04.06	190	N52 B30 A
Z4 (E85)	2.5 i	01.06-04.06	130	N52 B25 A
	2.5 si	01.06-04.06	160	N52 B25 A
	3.0 si	01.06-04.06	195	N52 B30 A
Z4 Coupe (E86)	3.0 si	03.06-04.06	195	N52 B30 A

ignition coils



CL624

OEM-No.			
BMW 7838388			
78428001			
784175401			
12137838388			
12137841754			

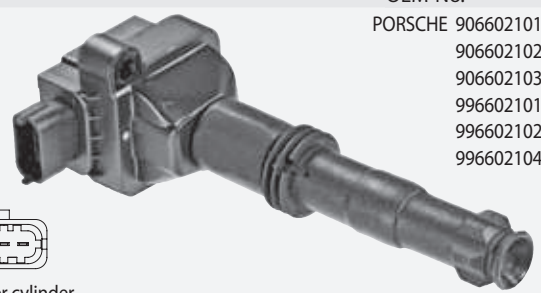


1 coil per cylinder

BMW			
3 (E90)	M3 4.0	03.07-12.11	309 S65 B40 A
3 Cabriolet (E93)	M3 4.0	03.07-	309 S65 B40 A
3 Coupe (E92)	M 4.0	03.07-	309 S65 B40 A

CL625

OEM-No.			
PORSCHE 90660210101			
90660210200			
90660210301			
99660210101			
99660210200			
99660210400			



1 coil per cylinder

PORSCHE				
911 (996)	3.4 Carrera	09.97-09.01	221 M 96.01/M 96.04	
	3.4 Carrera 4	09.97-09.01	221 M 96.01/M 96.04	
	3.6 Carrera	10.01-08.05	235 M 96.03	
	3.6 Carrera 4	10.01-08.05	235 M 96.03	
	3.6 Carrera S	02.03-08.05	254 M 96.03	
	3.6 Carrera 4S	02.03-08.05	254 M 96.03	
	3.6 GT2	04.01-08.05	340 M 96.70	
	3.6 GT2	10.03-08.05	355 M 96.70	
	3.6 GT3	03.99-08.05	265 M 96.76	
	3.6 GT3	03.03-08.05	280 M 96.79	
	3.6 Turbo 4	06.00-08.05	309 M 96.70	
	3.6 Turbo 4S	02.03-08.05	331 M 96.70	
	911 (997)	3.6 Carrera	07.04-12.08	239 M 96.05
		3.6 GT 3	03.06-12.09	305 M 97.76
		3.6 Turbo	03.06-12.09	353 M 97.70
		3.8 Carrera 4S	07.04-12.08	261 M 97.01
	3.8 Carrera S	07.04-12.08	261 M 97.01	
911 Cabriolet (996)	3.4 Carrera	02.98-09.01	221 M 96.01/M 96.04	
	3.4 Carrera 4	02.98-09.01	221 M 96.02/M 96.04	
	3.6 Carrera	10.01-08.05	235 M 96.03	
	3.6 Carrera 4	10.01-08.05	235 M 96.03	
	3.6 Carrera S	06.02-08.05	254 M 96.03	
	3.6 Carrera 4S	06.02-08.05	254 M 96.03	
3.6 Turbo 4	10.03-08.05	309 M 96.70		
	3.6 Turbo 4S	10.03-08.05	331 M 96.70	
911 Cabriolet (997)	3.6 Carrera	04.05-12.08	239 M 96.05	
	3.6 Carrera 4	04.05-12.08	239 M 96.05	
	3.6 Turbo	09.07-12.09	353 M 97.70	
	3.8 Carrera S	04.05-12.08	261 M 97.01	
	3.8 Carrera 4S	04.05-12.08	261 M 97.01	
911 Targa (996)	3.6	12.01-08.05	235 M 96.03	
Boxster (986)	2.5	09.96-08.99	150 M 96.20	
	2.7	08.99-07.02	162 M 96.22	
	2.7	07.02-12.04	168 M 96.23	
	S 3.2	08.99-07.02	185 M 96.21	
	S 3.2	07.02-12.04	191 M 96.24	
Boxster (987)	S 3.2	01.04-12.04	196 M 96.24	
	2.7	11.04-12.06	176 M 96.25	
	2.7	07.06-12.09	180 M 97.20	
	S 3.2	11.04-12.06	206 M 96.26	
	S 3.4	07.06-12.09	217 M 97.21	

< CL625
PORSCHE

Cayman (987)	2.7	07.06-12.09	180	M 97.20
	S 3.4	11.05-12.09	217	M 97.21

CL626


OEM-No.

 BMW 7619385
 761938505
 864746301
 12137619385

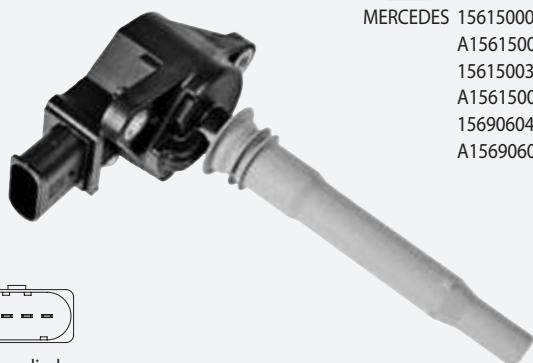

1 coil per cylinder

BMW

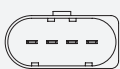
2 Active Tourer (F45)	218 i	09.14-	100	B38 A15 _
	225 i	09.14-	170	B48 A20 B
i8 (I12)	1.5 hybrid	03.14-	170	B38 K15 A

MINI

Mini (F55)	1.5 Cooper	07.14-	100	B38 A15 A
	2.0 Cooper S	07.14-	141	B46 A20A/B48 A20A
Mini (F56)	1.2 One	03.14-	75	B38 A12 A
	1.2 One First	06.14-	55	B38 A12 A
	1.5 Cooper	12.13-	100	B38 A15 A
	2.0 Cooper S	12.13-	141	B46 A20A/B48 A20A

CL627


OEM-No.

 MERCEDES 1561500080
 A1561500080
 1561500380
 A1561500380
 1569060400
 A1569060400


1 coil per cylinder

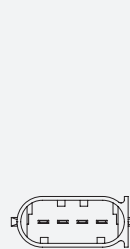
MERCEDES

C-Class (W204)	C 63 AMG	02.08-01.14	358	M 156.985
	C 63 AMG	02.08-01.14	336	M 156.985
C-Class Coupe (C204)	C 63 AMG	01.12-	358	M 156.985
	C 63 AMG	01.12-	380	M 156.985
	C 63 AMG	06.11-	336	M 156.985
C-Class T-Model (S204)	C 63 AMG	01.12-08.14	358	M 156.985
	C 63 AMG	02.08-	336	M 156.985
CLK (C209)	63 AMG	04.06-05.09	354	M 156.982
	63 AMG	05.07-05.09	373	M 156.982
CLK Cabriolet (A209)	CLK 63 AMG	04.06-03.10	354	M 156.982
CLS (C219)	CLS 63 AMG	04.06-12.10	378	M 156.983
E-Class (W211)	E 63 AMG	03.06-12.08	378	M 156.983
E-Class (W212)	E 63 AMG	12.09-	386	M 156.985
E-Class T-Model (S211)	E 63 AMG	03.06-07.09	378	M 156.983
E-Class T-Model (S212)	E 63 AMG	08.09-	386	M 156.985
M-Class (W164)	ML63 AMG 4-matic	01.06-	375	M 156.980
R-Class (W251, V251)	R 63 AMG	02.06-	375	M 156.980
S-Class (W221)	S 63 AMG	10.06-	386	M 156.984
S-Class Coupe (C216)	CL 63 AMG	10.06-	386	M 156.984
SL (R230)	63 AMG	03.08-01.12	386	M 156.981

CL628

PIN

OEM-No.


 MERCEDES 0001587903
 A0001587903
 0009060060
 A0009060060
 2729060160
 A2729060160

MERCEDES

C-Class (W204)	C 350 CGI	09.08-01.14	215	M 272.982
CLS (C219)	CLS 350	04.06-12.10	215	M 272.985
	CLS 350 CGI	04.09-12.10	215	M 272.985
E-Class (W211)	E 350 CGI	09.07-12.08	215	M 272.985
E-Class (W212)	E 350 CGI	01.09-08.11	215	M 272.983/_.982
E-Class Cabriolet (A207)	E 350	01.10-	215	M 272.982/_.984
E-Class Coupe (C207)	E 350	01.09-	215	M 272.982/_.984
E-Class T-Model (S211)	350 CGI	05.06-07.09	215	M 272.985
E-Class T-Model (S212)	E 350 CGI	11.09-	215	M 272.983

CL629


OEM-No.

 MERCEDES 2721500280
 A2721500280
 2761500080
 A2761500080
 2769060160
 A2769060160


1 coil per cylinder

MERCEDES

C-Class (W204)	C 300	02.11-01.14	185	M 276.957
	C 300 4-matic	02.11-01.14	185	M 276.957
C-Class Coupe (C204)	C 350	06.11-	225	M 276.957
C-Class T-Model (S204)	C 350 CGI	06.11-08.14	225	M 276.957
CLS (C218)	CLK 63 AMG	02.11-	386	M 157.981
	CLK 63 AMG	01.11-	410	M 157.981
	CLS 63 AMG	02.13-	430	M 157.981
	CLS 63 AMG	05.13-	410	M 157.981
	CLS Shooting Brake	CLS 350	10.12-	225
CLS Shooting Brake	CLS 500	10.12-	300	M 278.922
	CLS 500 4-matic	10.12-	300	M 278.922
	CLS 63 AMG	05.13-	410	M 157.981
	CLS 63 AMG	02.13-	430	M 157.981
	CLS 63 AMG 4-mat	05.13-	410	M 157.981
E-Class (W212)	E 300	07.11-	185	M 276.952
	E 63 AMG	02.11-	386	M 157.980/_.981
	E 63 AMG	02.11-	410	M 157.981
	E 63 AMG	02.13-	430	M 157.981
E-Class Cabrio (A207)	E 63 AMG 4-matic	02.13-	430	M 157.981
	E 63 AMG 4-matic	02.11-	410	M 157.981
	E 300	04.11-	185	M 276.957
E-Class Coupe (C207)	E 350	04.11-	225	M 276.957
	E 500	09.11-	300	M 278.922
	E 300	04.11-	185	M 276.957
E-Class T-Model (S212)	E 350	04.11-	225	M 276.957
	E 500	09.11-	300	M 278.922
	E 300	07.11-	185	M 276.952
	E 300 4-matic	07.11-	185	M 276.952
	E 350	09.11-	225	M 276.952
	E 350 4-matic	09.11-	225	M 276.952
	E 500	09.11-	300	M 278.922
	E 500 4-matic	09.11-	300	M 278.922
	E 63 AMG	02.11-	386	M 157.980/_.981

CL629

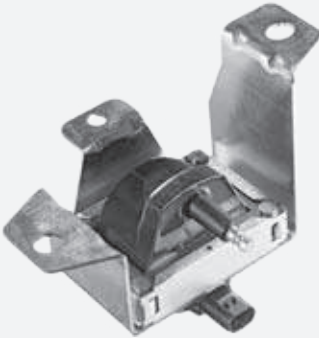
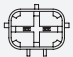
< CL629

MERCEDES

E-Class T-Model (S212)	E 63 AMG	02.11-	410	M 157.981
	E 63 AMG	02.13-	430	M 157.981
	E 63 AMG 4-matic	02.13-	430	M 157.981
	E 63 AMG 4-matic	02.11-	410	M 157.981
	G-Class (W463)	G 63 AMG	05.12-	400
GL-Class (X166)	GL 500 4-matic	07.12-	320	M 278.928
	GL 63 AMG 4-matic	07.12-	410	M 157.982
GLK-Class (X204)	350 4-matic	06.08-	225	M 276.957
M-Class (W166)	ML 350 4-matic	06.11-	225	M 276.955
	ML 500 4-matic	02.12-	300	M 278.928
	ML 63 AMG 4-matic	11.11-	410	M 157.982
	ML 63 AMG 4-matic	11.11-	386	M 157.980
R-Class (W251, V251)	R 350 CGI 4-matic	01.06-	225	M 276.958
S-Class (W221)	S 500 CGI 4-matic	03.11-	320	M 278.932
	S 500 CGI	04.11-	320	M 278.932
	S 63 AMG	02.12-	420	M 157.980
	S 63 AMG	03.11-	400	M 157.980
S-Class Coupe (C216)	CL 500	02.11-	320	M 278.920
	CL 500 4-matic	02.11-	320	M 278.920
	CL 63 AMG	02.11-	400	M 157.980
	CL 63 AMG	01.10-	420	M 157.980
SL (R231)	350	02.12-	225	M 276.954
	500	01.12-	320	M 278.927
	63 AMG	01.12-	395	M 157.983
	63 AMG	01.12-	415	M 157.983
SLK (R172)	350	02.11-	225	M 276.956
	55 AMG	01.12-	310	M 152.980

CL700

SAE	OEM-No.			
	ROVER	GCL 201	NEC100630	

MG

MG TF	115	03.02-12.09	85	16 K4F
	120	03.02-12.09	88	18 K4F
	135	03.02-12.09	100	18 K4F
MG ZR	105	06.01-04.05	76	14 K4F
	120	06.01-04.05	86	18 K4F
MGF (RD)	1.8 i 16V	03.95-03.02	88	18 K4F

ROVER

100 / Metro (XP)	111 C/L/S	03.90-12.98	44	11 K2D/11 K2A
	114 S/L/GTA	03.90-12.98	55	14 K2D/14 K2A
100 Cabriolet (XP)	111	04.94-10.97	44	11 K2D
	114	04.94-10.97	55	14 K2D/14 K2A
200 (RF)	211	01.98-03.00	44	11 K2D
	214 i	11.95-03.00	55	14 K2F
	214 Si	11.95-03.00	76	14 K4F
	216 Si	11.95-03.00	82	16 K4F
	25 (RF)	1.4 16V	10.99-05.05	62
400 (RT)	1.4 16V	10.99-05.05	76	14 K4F
	1.6 16V	10.99-05.05	80	16 K4F
	1.8 16V	10.99-05.05	85	18 K4F
	414 Si	05.95-03.00	76	14 K4F
	416 Si	05.95-03.00	82	16 K4F
400 Hatchback (RT)	416 Si	05.95-03.00	83	D 16 Y2
	414	03.96-12.97	55	14 K2F
	414 Si	05.95-03.00	76	14 K4F
	416 Si	05.95-03.00	82	16 K4F
	416 Si	06.95-03.00	83	D 16 Y2

ignition coils



< CL700

ROVER

400 Tourer (XW)	1.6 i	05.94-11.98	82	D 16 Z2
	1.6 i	05.94-11.98	90	D 16 A8
Cabriolet (XW)	216 1.6i 16V	01.96-11.99	82	16 K4F
Coupe	1.6 16V	03.96-11.99	82	16 K4F

CL702



1 coil per cylinder

LANDROVER

Freelander (LN)	2.5 V6 4x4	11.00-10.06	130	25 K4F
MG ZT	160	06.01-07.05	118	25 K4F
	180	01.03-07.05	130	25 K4F
	190	06.01-07.05	140	25 K4F
MG ZT-T	160	10.01-07.05	118	25 K4F
	180	01.03-07.05	130	25 K4F
	190	10.01-07.05	140	25 K4F

ROVER

75 (RJ)	2.0 V6	04.03-05.05	110	20 K4F
	2.5 V6	04.99-10.01	129	KV 6
	2.5 V6	04.03-05.05	130	25 K4F
75 Tourer (RJ)	2.0 V6	08.01-05.05	110	20 K4F
	2.5 V6	04.03-05.05	130	KV 6

CL705

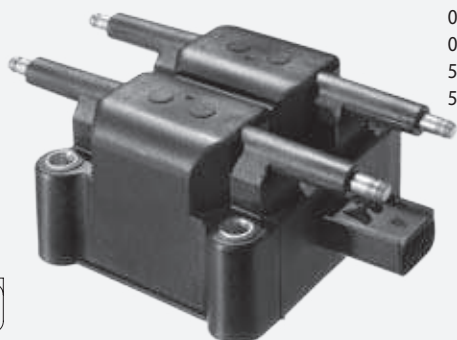


SAAB

9-3 (YS3D)	2.0 i	02.98-09.02	96	B204I
	2.0 SE Turbo	02.98-09.02	147	B204R
	2.0 Turbo	01.01-09.02	110	B205E
	2.0 Turbo	10.98-09.02	113	B204E
	2.3 i	02.98-09.02	110	B234I
9-3 Cabriolet (YS3D)	2.3 Turbo	10.98-09.02	165	B235R
	2.0 i	02.98-08.03	96	B204I
	2.0 SE Turbo	02.98-08.03	147	B204R
	2.0 Turbo	01.01-08.03	110	B205E
	2.0 Turbo	10.98-08.03	113	B204E
9-5 (YS3E)	2.0 Turbo	02.98-08.03	136	B205L/B204L
	2.3 i	02.98-08.03	110	B234I
	2.3 Turbo	10.99-08.03	165	B235R
	2.0 T	09.97-	110	B205E
	2.0 T	07.00-	136	B205L
2.3 T	09.97-	125	B235E	
	01.01-	136	B235E	
	2.3 Turbo	07.03-	162	B235L

< CL705
SAAB

9-5 (YS3E)	2.3 Turbo	10.99-09.01	169 B235R
	2.3 Turbo	09.01-	184 B235R
	2.3 Turbo	11.05-	191 B235R
9-5 Combi (YS3E)	2.0T	10.98-	110 B205E
	2.0T	07.00-07.01	136 B205L
	2.0T	10.98-	141 B204R
	2.3T	10.98-	125 B235E
	2.3T	01.01-	136 B235E
	2.3T BioPower	11.06-	154 B235R
	2.3 Turbo	07.03-	162 B235L
	2.3 Turbo	10.99-09.01	169 B235R
	2.3 Turbo	09.01-	184 B235R
	2.3 Turbo	01.06-	191 B235R

CL706
SAE
OEM-No.


CHRYSLER 04609103AB
 05269670
 05269670AB
 56032521
 56032521AB

CHRYSLER

Neon II	2.0 16V R/T	10.01-12.06	110 ECH
PT Cruiser (PT_)	1.6	11.01-12.10	85 EJD
	2.0	10.04-12.10	100 ECC
	2.0	06.00-12.10	104 ECC
	2.4	08.05-12.10	105 EDZ
	2.4	06.00-12.10	110 EDZ
PT Cruiser Cabriolet	2.4	03.04-03.08	105 EDZ
Sebring (JR)	2.0	04.01-06.07	104 ECC
Sebring Cabriolet	2.0	04.01-06.07	104 ECC
Stratus (JA)	2.0 LE	12.95-04.01	96 C00
Stratus Cabriolet	2.0 LE	06.96-04.01	96 420X
Voyager III (GS)	2.4 i	01.95-03.01	111 B00
Voyager IV (RG, RS)	2.4	02.00-12.08	108 EDZ

JEEP

Cherokee (KJ)	2.4 4x4	09.01-01.08	108 ED1
---------------	---------	-------------	---------

MINI

Mini (R50, R53)	1.4	04.03-09.06	55
	1.6 Cooper	06.01-09.06	85 W10 B16 A
	1.6 Cooper S	03.02-09.06	120 W11 B16 A
	1.6 Cooper S	07.04-09.06	125 W11 B16 A
	1.6 One	06.01-09.06	66 W10 B16 A
	1.6 Works	11.03-09.06	155 W11 B16 A
	Mini Cabriolet (R52)	1.6 Cooper	07.04-11.07
1.6 Cooper S		07.04-11.07	125 W11 B16 A
1.6 Cooper Works		07.04-11.07	155 W11 B16 A
1.6 One		07.04-11.07	66 W10 B16 A

CL707
PIN
OEM-No.

VOLVO 1275602

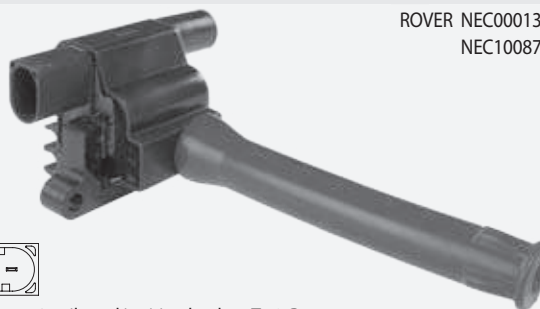


semidirect - 2 coils and ignition lead set T382B

VOLVO

S40 I (VS)	1.6	03.99-12.03	80 B 4164 S2	
	1.8	07.95-08.99	85 B 4184 S_	
	1.8	03.99-12.03	90 B 4184 S_	
	1.8 i	06.01-12.03	90 B 4184 SJ	
	1.9 T4	05.97-07.00	147 B 4194 T_	
	2.0	07.95-12.03	100 B 4204 S_	
	2.0T	10.97-12.03	118 B 4204 T	
	2.0T	06.01-12.03	120 B 4204 T3	
	2.0T	07.00-06.01	121 B 4204 T_	
	2.0T4	07.00-12.03	147 B 4204 T5	
	V40 Combi (VW)	1.6	03.99-06.04	80 B 4164 S2
		1.8	07.95-08.99	85 B 4184 S_
		1.8	03.99-06.04	90 B 4184 S_
		1.8 i	06.01-06.04	90 B 4184 SJ
1.9 T4		05.97-07.00	147 B 4194 T	
2.0		07.95-06.04	100 B 4204 S_	
2.0T		10.97-07.00	118 B 4204 T	
2.0T		06.01-06.04	120 B 4204 T3	
2.0T4		07.00-06.04	147 B 4204 T5	

CL708
DIN
OEM-No.

 ROVER NEC000130
 NEC100870


semidirect - 2 coils and ignition lead set T565B

MG

MG TF	160	03.02-12.09	118 18 K4K
MG ZR	160	06.01-04.05	118 18 K4K
MGF (RD)	1.8 iVVC	03.95-03.02	107 18 K4K
	1.8 iVVC	10.01-03.02	118 18 K4K

ROVER

200 (RF)	218 KVi	11.95-03.00	107 18 K4K
25 (RF)	1.8 16V	10.99-05.05	85 18 K4F
	1.8 16V	02.00-05.05	107 18 K4K
400 Tourer (XW)	1.8 i	06.96-11.98	107 18 K4K
45 (RT)	1.8	02.00-05.05	86 18 K4F
45 Sedan (RT)	1.8	02.00-05.05	86 18 K4F

CL709

CL709

OEM-No.

CHRYSLER 56028138
56028138AB
56028138AD
56028138AE
56028138AF



1 coil per cylinder

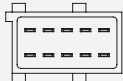
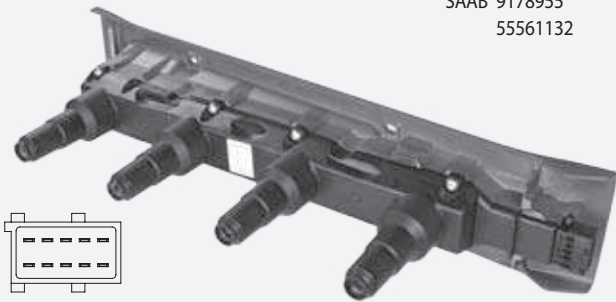
JEEP

Commander (XK)	3.7 V6 4x4	09.05-12.10	157	EKG
	4.7 V8 4x4	09.05-12.10	170	EVA
Grand Cherokee II	4.7 V8	10.04-09.05	167	EVA
	4.7 V8 4x4	04.99-08.00	162	EVA
	4.7 V8 4x4	04.99-09.05	164	EVA
	4.7 V8 4x4	06.03-09.05	167	EVA
	4.7 V8 4x4	10.01-09.05	190	EVC
Grand Cherokee III	3.7 V6 4x4	06.05-12.10	157	EKG
	4.7 V8 4x4	06.05-12.10	170	EVA
Cherokee (KJ)	3.7 4x4	09.01-01.08	155	EKG
	3.7 4x4	08.03-01.08	150	EKG
	3.7 Laredo	10.01-09.04	150	EKG
Cherokee (KK)	3.7 V6 4x4	01.08-	151	EKG

CL710

OEM-No.

SAAB 9178955
55561132



SAAB

900 II	2.0-16 Turbo	07.93-02.98	136	B204L	
	2.0 i	08.94-02.98	96	B204I	
	2.0-16 Turbo	12.93-02.98	136	B204L	
900 II Cabriolet	2.0 i	12.93-02.98	96	B204I	
	2.0-16 Turbo	12.93-02.98	136	B204L	
900 II Coupe	2.0 i	08.94-02.98	96	B204I	
	2.0 i	12.93-07.94	98	B206I	
	2.0-16	01.89-01.93	94	B202I	
9000	2.0-16 CD	09.93-12.98	96	B202I/B204I	
	2.0-16 CD	09.93-12.98	110	B204S/_E/B202S	
	2.0-16 Turbo	05.88-08.93	118	B202XL	
	2.0-16 Turbo	04.85-12.91	129	B202XL	
	2.0-16 Turbo CD	09.92-12.98	108	B204E/B202S	
	2.0-16 Turbo CD	09.88-08.93	120	B202XL	
	2.0-16 Turbo CD	09.89-12.98	136	B202L	
	2.3-16 CD	08.89-12.98	107	B234I	
	2.3-16 CD Turbo	07.90-12.98	147	B234L	
	2.3-16 CDE	09.93-12.98	108	B234I	
	2.3-16 CDE Eco	09.93-12.98	125	B234E	
	2.3-16 Turbo	09.90-08.93	143	B234L	
	9000 CC	2.0-16	12.85-12.88	92	B202XI
		2.0-16	12.85-08.88	94	B202XI
		2.0-16 CS	01.89-12.98	94	B202I
2.0-16 CS		09.93-12.98	96	B204I	
2.0-16 ND Turbo		09.93-12.98	110	B204S/_E/B202S	
2.0-16 Turbo		09.84-08.93	118	B202XL	
2.0-16 Turbo		05.88-08.93	120	B202XL	
2.0-16 Turbo		09.84-12.91	129	B202XL/B202L	
2.0-16 Turbo CS		09.88-12.98	136	B202L	
2.3-16 Aero CS		02.93-12.98	162	B234R	

ignition coils



< CL710

SAAB

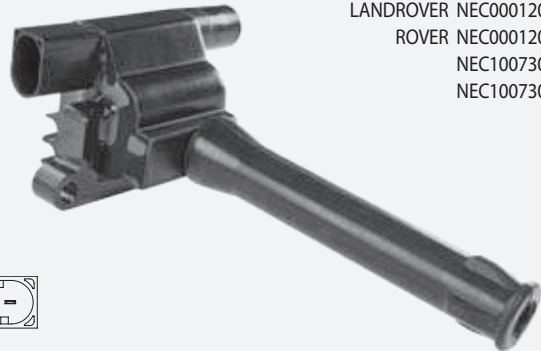
9000 CC	2.3-16 Aero CS	02.93-12.98	165	B234R	
	2.3-16 CS	09.89-12.98	107	B234I	
	2.3-16 CSE	09.93-12.98	108	B234I	
	2.3-16 CSE Eco	09.93-12.98	125	B234E	
	2.3-16 Turbo	09.90-12.98	143	B234L	
	2.3-16 Turbo CSE	09.93-12.98	147	B234L	
	9-3 (YS3D)	2.0 Turbo	10.98-09.02	113	B204E
2.0 Turbo		02.98-09.02	136	B205L/B204L	
2.0 Turbo		10.99-09.02	151	B205R	
2.3 i		02.98-09.02	110	B234I	
2.3 Turbo		10.98-09.02	165	B235R	
9-3 (YS3F)	1.8 i	01.04-	90	Z18 XE	
	1.8 T	09.02-	110	B207E	
	1.8 T BioPower	05.09-	129	B207L	
	2.0 T	09.02-	129	B207L	
	2.0 T	09.02-	154	B207R	
	2.0 T	05.09-	177	B207R	
	2.0 T BioPower	01.07-	129	B207L	
	2.0 T BioPower	05.09-	147	B207M	
	2.0 T BioPow. XWD	01.08-	120	B207H	
	2.0 T XWD	01.07-	120	B207G	
	9-3 Combi (YS3F)	1.8 i	03.05-	90	Z18 XE
		2.0 T	03.05-	110	B207E
		2.0 T	03.05-	129	B207L
2.0 T		02.09-	147	B207M	
2.0 T		03.05-	154	B207R	
2.0 T BioPower		01.07-	129	B207L	
2.0 T Bio Power		02.09-	147	B207M	

CL711

DIN

OEM-No.

LANDROVER NEC000120L
ROVER NEC000120
NEC100730
NEC100730L



semidirect - 2 coils and ignition lead set T565B

LANDROVER

Freelander (LN)	1.8 16V 4x4	11.00-10.06	86	18 K4F
Freelander Soft Top	1.8 i 16V 4x4	02.98-10.06	88	18 K4F

MG

MG TF	115	03.02-12.09	85	16 K4F
	120	03.02-12.09	88	18 K4F
	135	03.02-12.09	100	18 K4F
MG ZR	105	06.01-04.05	76	14 K4F
	120	06.01-04.05	86	18 K4F
MG ZS	120	07.01-04.05	86	18 K4F
MG ZS Hatchback	120	07.01-10.05	86	18 K4F
MGF (RD)	1.8 i 16V	03.95-03.02	88	18 K4F

ROVER

200 (RF)	214 Si	11.95-03.00	76	14 K4F
	216 Si	11.95-03.00	82	16 K4F
25 (RF)	1.4 16V	10.99-05.05	62	14 K4M
	1.4 16V	10.99-05.05	76	14 K4F
	1.6 16V	10.99-05.05	80	16 K4F
45 (RT)	1.4	02.00-05.05	76	14 K4F
	1.6	02.00-05.05	80	16 K4F
	2.0 V6	02.00-05.05	110	20 K4F
	1.4	02.00-05.05	76	14 K4F
45 Sedan (RT)	1.6	02.00-05.05	80	16 K4F
	2.0 V6	02.00-05.05	110	20 K4F
75 (RJ)	1.8	02.99-05.05	88	K 1.8
	1.8 Turbo	05.03-05.05	110	18 K4G

< CL711
ROVER

75 Tourer (RJ)	1.8	08.01-05.05	88	K 1.8
	1.8 Turbo	05.03-05.05	110	18 K4G
Cabriolet (XW)	214 1.4i 16V	01.93-11.99	76	14 K4F

CL712

SAE	OEM-No.			
	CHRYSLER	4797293		
		5234210		
		5234610		
		5252577		
		53008068		
	GM	19017110		

CHRYSLER

Daytona Coupe	2.2 i Turbo	09.86-12.90	130	EDR
	2.5 i Turbo	01.89-10.92	110	EDT

Voyager II (ES)	2.5 i	08.90-09.95	74	K
-----------------	-------	-------------	----	---

JEEP

Grand Cherokee I	4.0 i 4x4 (Z)	10.95-12.97	130	S01	
	4.0 i 4x4 (Z)	09.91-12.97	132	ERH	
	4.0 i 4x4 (Z)	09.91-12.97	135	MX	
	4.0 Laredo	10.96-12.97	131	ERH	
	5.2	10.96-12.97	164	ELF	
	5.2 4x4	10.96-12.97	164	ELF	
	5.2 4x4 (Z)	10.95-12.97	156	Y01	
	5.2 i 4x4 (Z)	01.92-04.99	155	ELF	
	5.2 i 4x4 (Z)	09.92-04.99	158	Y	
	5.2 Limited 4x4	10.96-12.97	136	ELF	
	Cherokee (XJ)	2.5	10.95-12.97	89	EPE
		2.5	10.90-09.96	89	EPE
		2.5	10.86-09.90	90	EPE
		2.5 4x4	10.86-09.90	90	EPE
		2.5 i 4x4	10.84-12.97	87	EPE
		2.5 i 4x4	12.91-12.97	90	EPE/HX
		2.5 SE	10.96-12.97	87	EPE
4.0 i		07.98-09.01	127		
4.0 i		12.91-09.01	135	MX	
4.0 i		02.99-09.01	135	MX	
4.0 i		01.88-09.01	136	ERH	
Wrangler I (YJ, SJ_)	2.5	12.91-08.96	89	EPE	
	4.0	12.91-08.96	131	ERH	
Wrangler II (TJ)	2.5	08.96-12.97	87	P00	
	4.0	08.96-12.97	130	S01	

CL713

SAE	OEM-No.			
	CHRYSLER	56028172		
		56028172AB		
		00K56028172AC		

JEEP

Grand Cherokee I	4.0 i 4x4 (Z)	01.98-04.99	130	S01
	4.0 i 4x4 (Z)	01.98-04.99	132	ERH
	4.0 i 4x4 (Z)	01.98-04.99	135	MX
	4.0 Laredo	01.98-09.98	131	ERH
	5.2	01.98-09.98	164	ELF
	5.2 4x4	01.98-09.98	164	ELF
	5.2 4x4 (Z)	01.98-04.99	156	Y01

< CL713
JEEP

Grand Cherokee I	5.2 Limited 4x4	01.98-09.98	136	ELF
	5.9 i 4x4	08.97-04.99	177	
Cherokee (XJ)	2.5	01.98-09.01	89	EPE
	2.5 i 4x4	01.98-09.01	87	EPE
	2.5 i 4x4	01.98-09.01	90	EPE/HX
	2.5 SE	01.98-09.99	87	EPE
Wrangler II (TJ)	2.5	01.98-04.07	87	P00
	4.0	06.98-04.07	124	
	4.0	01.98-04.07	130	S01
	4.0 Rubicon	08.03-04.07	128	

CL716

DIN	OEM-No.			
	HONDA	30520-PH7-006		
		30520-PH7-016		
	ROVER	GCL145		
		GCL146		

HONDA

Legend I (HS, KA)	2.5 i	01.86-12.87	110	C25A1
	2.5 i	02.87-06.88	127	C25A2
	2.7 i 24V	01.88-12.90	124	C27A1

Legend I Coupe	2.7 i 24V	10.87-12.90	124	C27A1
----------------	-----------	-------------	-----	-------

ROVER

800 (XS)	827 Si/Sterling	02.88-12.91	130	C27 A2
	827 Si/Sterling cat	02.88-02.99	124	C27 A1
800 Coupe	827 24V (RS)	08.92-02.99	124	C27 A1
800 Hatchback	827 24V I/Sl cat	01.92-02.99	124	C27 A1
	827 Vitesse cat	10.88-12.91	124	C27 A1
	827 Vitesse/SLI	10.88-12.91	130	C27 A2

CL718

		OEM-No.		
	CHRYSLER	56029129AA		
		56029129AB		
		56029129AF		

1 coil per cylinder

CHRYSLER

300 C (LX)	5.7	01.06-12.08	250	EZH/EZD/EZB
	6.1 SRT8	06.05-11.12	317	ESF
300 C Touring	5.7	01.06-12.10	250	EZH/EZD/EZB
	5.7 AWD	04.05-12.10	250	EZH/EZB
	6.1 SRT8	06.05-12.10	317	ESF

JEEP

Commander (XK)	5.7 V8 4x4	09.05-12.10	240	EZB
Grand Cherokee III	5.7 V8 4x4	01.06-12.10	240	EZB
	6.1 SRT8 4x4	03.06-12.10	313	ESF

CL719

CL719

OEM-No.
VOLVO 1275971
9146776



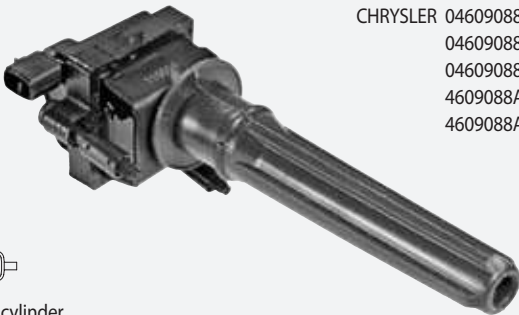
1 coil per cylinder

VOLVO

940 (944)	2.0 Turbo	08.90-12.94	114	B 200 FT
940 II (944)	2.0 Turbo	04.96-10.98	114	B 200 FT
940 II Combi (945)	2.0 Turbo	04.96-10.98	114	B 200 FT
960 (964)	2.9	08.90-07.94	150	B 6304 F/B 6304G
960 Combi (965)	2.9	08.90-07.94	150	B 6304 F/B 6304S
960 II (964)	2.5	07.94-12.96	125	B 6254 S
	2.9	07.94-12.96	150	B 6304 S
960 II Combi (965)	2.5	08.94-12.96	125	B 6254 S
	2.9	09.94-12.96	150	B 6304 S
S90	2.9	01.97-05.98	132	B 6304 S2
	2.9	01.97-05.98	150	B 6304 G
V90 Combi	2.9	01.97-12.98	132	B 6304 S2
	2.9	01.97-12.98	150	B 6304 G

CL720

OEM-No.
CHRYSLER 04609088AC
04609088AD
04609088AF
4609088AC
4609088AD



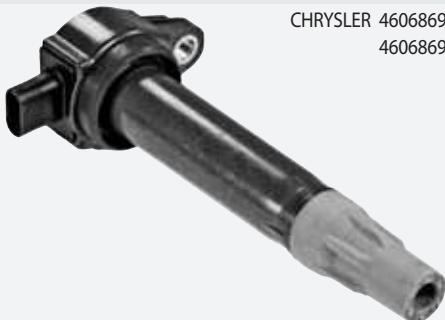
1 coil per cylinder

CHRYSLER

300 C (LX)	3.5	09.04-12.05	183	3.5CSP
300 C Touring	3.5	09.04-12.05	183	3.5CSP/EEG
	3.5 AWD	09.04-12.05	183	3.5CSP
300 M (LR)	3.5 V6 24V	08.00-09.04	185	EGG
	3.5 V6 24V	07.98-08.00	187	EGG
Concorde	3.5 LX	10.97-09.03	174	EWZ
	3.5 LX Super	10.97-09.03	186	EWZ

CL721

OEM-No.
CHRYSLER 4606869AA
4606869AB



1 coil per cylinder

CHRYSLER

300 C (LX)	2.7	01.07-11.12	130	EES
	2.7	01.06-11.12	142	FX/EER
	3.5	01.06-11.12	183	CSP
300 C Touring	2.7	01.07-12.10	130	EES
	2.7	01.06-12.10	142	FX/EER
	3.5	01.06-12.10	183	CSP/EEG
	3.5 AWD	01.06-12.10	183	CSP

ignition coils



< CL721

CHRYSLER

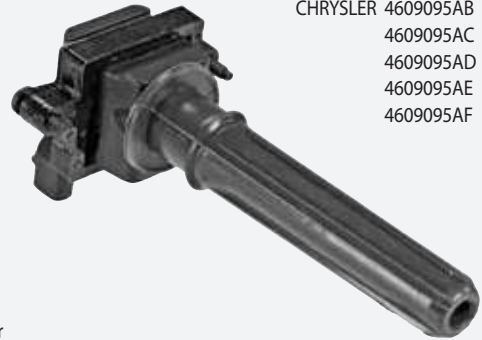
Sebring Cabriolet (JS)	2.7	07.07-12.10	137	EER
------------------------	-----	-------------	-----	-----

FIAT

Freemont (JF_)	3.6	08.11-	206	ERB
	3.6 4x4	08.11-	206	ERB

CL722

OEM-No.
CHRYSLER 4609095AB
4609095AC
4609095AD
4609095AE
4609095AF



1 coil per cylinder

CHRYSLER

300 C (LX)	2.7	09.04-12.05	142	FX/EER
300 C Touring	2.7	09.04-12.05	142	FX/EER
300 M (LR)	2.7 V6 24V	11.98-08.00	149	EER
	2.7 V6 24V	08.00-09.04	150	EER
Concorde	2.7 LX	10.97-09.03	149	EER
Sebring (JR)	2.7 V6 24V	04.01-06.07	149	EER/EES
Sebring Cabriolet	2.7 V6 24V	04.01-06.07	149	EES

CL723

OEM-No.
LANDROVER LR002954
VOLVO 30684245
30684245-0



1 coil per cylinder

LANDROVER

Freelander 2 (FA_)	3.2 4x4	10.06-10.14	171	B 6324 S
--------------------	---------	-------------	-----	----------

VOLVO

S60 II	3.0 T6 AWD	04.10-	224	B 6304 T4
S80 II (AS)	3.0 T6 AWD	10.10-	224	B 6304 T4
	3.2	03.06-	175	B 6324 S
	3.2 AWD	01.07-	175	B 6324 S
V60	3.0 T6 AWD	09.10-	224	B 6304 T4
V70 III (BW)	3.2	08.07-	175	B 6324 S
	3.0 T6 AWD	04.11-	224	B 6304 T4
	3.2 AWD	08.07-	175	B 6324 S
XC60	3.0 T6 AWD	03.10-	224	B 6304 T4
	3.2 AWD	07.09-	175	B 6324 S
XC70 II	3.2 AWD	08.07-	175	B 6324 S
	3.0 T6 AWD	01.10-	224	B 6304 T4
XC90 I	3.2 AWD	05.06-	175	B 6324 S

CL800

OEM-No.

 LADA 21120370501010
2112-3705010-10


1 coil per cylinder

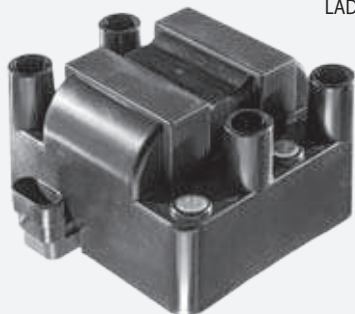
LADA (VAZ)

PIN	Engine	Year	Part No.	OEM No.
110	1.6 16V	10.04-12.10	67	VAZ-21124
Granta (2190)	1.6	10.11-	72	VAZ-21126
	1.6	07.13-	78	VAZ-21127
Kalina Hatch. (1119)	1.4 16V	11.08-	66	VAZ-11194
	1.4 16V LPG	11.08-	65	VAZ-11194
	1.6 16V	10.04-	66	
Kalina Hatch. (2192)	1.6	06.13-	78	VAZ-21127
Kalina Combi (1117)	1.4 16V	11.08-	66	VAZ-11194
	1.4 16V LPG	11.08-	65	VAZ-11194
Kalina Combi (2194)	1.6	11.13-	78	VAZ-21127
Kalina Sedan (1118)	1.4 16V	11.08-	66	VAZ-11194
	1.4 16V LPG	11.08-	65	VAZ-11194
	1.6 16V	10.04-	66	
Priora CC (2172)	1.6	12.08-	72	VAZ-21126
	1.6	02.14-	78	VAZ-21127
	1.6 LPG	12.08-	71	VAZ-21126
Priora Combi (2171)	1.6	10.09-	60	VAZ-21703
	1.6	10.09-	72	VAZ-21126
	1.6	02.14-	78	VAZ-21127
Priora Sedan (2170)	1.6	12.08-	72	VAZ-21126
	1.6	02.14-	78	VAZ-21127
	1.6 LPG	03.09-	71	

CL801

PIN

OEM-No.

 LADA 2112-3705010-02
2112-3705010-03
2112-3705010-07

GAZ

Gazelle Bus	2.3	10.93-08.01	96	ZMZ-4062.10
Gazelle Flatbed	2.4	10.93-08.01	66	ZMZ-402.10
Gazelle Van	2.4	10.93-08.01	66	ZMZ-402.10

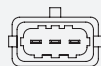
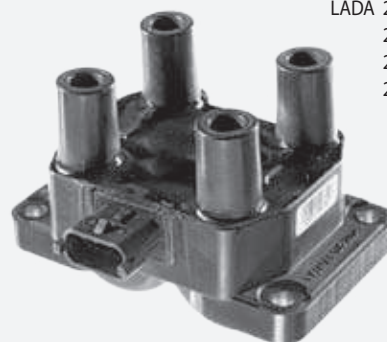
LADA (VAZ)

110	1.5	01.95-	57	VAZ-2111
	1.5 16V	10.00-	67	VAZ-2112
111	1.5	01.96-	57	VAZ-2111
	1.5 16V	10.00-	67	VAZ-2112
112	1.5	01.95-	57	VAZ-2111
	1.5 16V	10.00-	67	VAZ-2112
2107	1.7	06.02-	59	VAZ-2121.3
Nadezhda (2120)	1.7 i	12.97-	59	VAZ-21214
Samara (2109)	1.5	04.96-	57	VAZ-2111

CL802

PIN

OEM-No.

 LADA 21110-3705010
21110-3705010-03
21113705010
21113745010

LADA (VAZ)

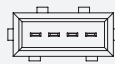
110	1.6	01.00-	60	VAZ-21114
	1.6 LPG	10.04-03.07	60	VAZ-21114
111	1.6	01.05-	60	VAZ-21114
	1.6	03.06-	66	VAZ-21124
112	1.6	01.05-	60	VAZ-21114
	1.6	10.11-	60	VAZ-11183
Granta (2190)	1.6	10.11-	64	VAZ-11186
	1.6	10.11-	64	VAZ-11186
Granta (2349)	1.6	10.11-	64	VAZ-11186
Kalina Hatch. (1119)	1.6	10.04-	60	VAZ-21114
Kalina Combi (1117)	1.6	10.04-	60	VAZ-21114
Kalina Sedan (1118)	1.6	10.04-	60	VAZ-21124
Niva (2121)	1700 i	06.96-	59	VAZ-21214
	1700 i 4x4	09.10-	61	VAZ-21214
	1700 i 4x4	10.00-	60	VAZ-21214
Niva II (2123)	1.7	08.04-	61	VAZ-21214
	1.7	09.02-	59	VAZ-21214
	1.7 LPG	09.02-	57	VAZ-21214
Priora CC (2172)	1.6	12.08-	60	VAZ-21703
Priora Sedan (2170)	1.6	12.08-	60	VAZ-21703

CL803

PIN

OEM-No.

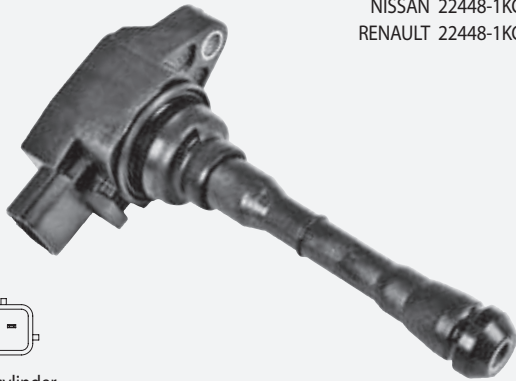
CHERY A113705110EA


GEELY

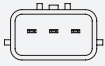
BL Coupe	1.3	09.05-	63	MR479Q
	1.5	09.05-	69	MR479QA
CK Sedan	1.6	09.05-	79	MR481QA

CL900

CL900



OEM-No.
NISSAN 22448-1KCOA
RENAULT 22448-1KCOA



1 coil per cylinder

NISSAN

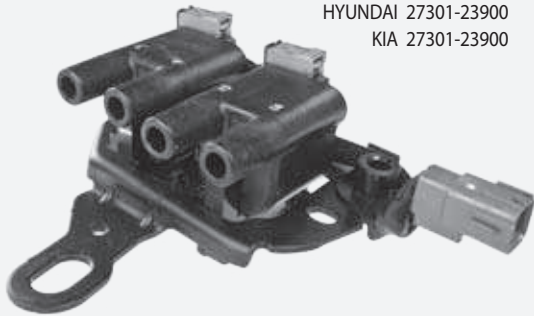
Juke (F15)	1.6 DIG-T	06.10-	140	MR16DDT
	1.6 DIG-T 4x4	06.10-	140	MR16DDT
	1.6 DIG-T Nismo	11.12-	147	MR16DDT
	1.6 DIG-T Nis. 4x4	02.13-	147	MR16DDT
Pulsar CC (C13)	1.6 DIG-T	02.15-	140	MR16DDT

RENAULT

Clio IV	1.6 RS	03.13-	147	M5M 450/M5M 400
---------	--------	--------	-----	-----------------

CL901

DIN



OEM-No.
HYUNDAI 27301-23900
KIA 27301-23900



HYUNDAI

i30 (FD)	2.0	10.07-11.11	105	G4GC-G/G4GC
----------	-----	-------------	-----	-------------

KIA

Cee'd CC (ED)	2.0	12.06-	105	G4GC
Cee'd SW (ED)	2.0	09.07-	105	G4GC
Pro Cee'd (ED)	2.0 LPG	01.09-12.09	105	G4GC

CL902



OEM-No.
HYUNDAI 27300-3F100
KIA 27300-3F100



1 coil per cylinder

HYUNDAI

Equus / Centennial	4.5	10.99-09.03	195	8A80
	4.6 V8	03.09-	269	G8BA
	4.6 V8	03.09-	274	G8BA
	5.0 GDi	03.09-	316	G8BE
Genesis Coupe	2.0T	01.08-	157	G4KF
	2.0T	04.12-	204	G4KF
Santa Fé III (DM)	2.4	09.12-	141	G4KJ
	2.4 4WD	09.12-	141	G4KJ
Sonata VI (YF)	2.0	01.09-	110	G4KD
	2.4	01.09-	131	G4KC
	2.4	01.09-	128	G4KC

ignition coils



< CL902

KIA

Cerato II Sedan (TD)	2.0	01.09-	115	G4KD
Magentis (MG)	2.0	07.09-	121	G4KD
Optima	2.0	03.12-	125	G4KD
	2.0	09.10-	204	
	2.0 CVVL	03.12-	121	G4KD
Sorento II (XM)	2.4 CVVT	10.12-	141	G4KJ
	2.4 CVVT 4WD	10.12-	141	G4KJ
Sportage (SL)	2.0 CVVT	07.10-	120	G4KD
	2.0 CVVT AWD	07.10-	120	G4KD

CL903



OEM-No.
HYUNDAI 27301-04000
KIA 27301-04000



1 coil per cylinder

HYUNDAI

i10 (PA)	1.0	01.11-	51	G3LA
i10 (IA)	1.0	12.13-	49	G3LA
	1.0 LPG	02.14-	51	B3LA

KIA

Picanto (TA)	1.0	05.11-	51	G3LA
	1.0 BiFuel	05.11-	60	B3LA

CL904



OEM-No.
HYUNDAI 27301-03110
KIA 27301-03110



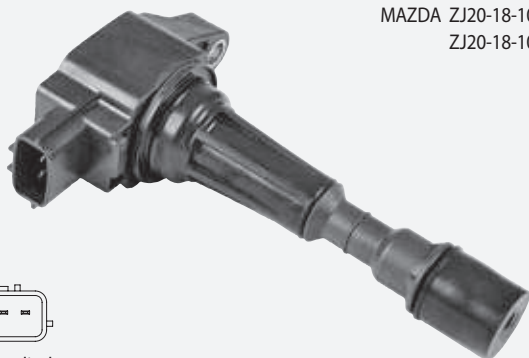
1 coil per cylinder

HYUNDAI

i10 (PA)	1.2	11.08-	57	G4LA
	1.2	04.11-	63	G4LA
i20 (PB, PBT)	1.2	09.08-	57	G4LA
i20 (GB)	1.2	11.14-	55	G4LA
	1.2	11.14-	62	G4LA

KIA

Picanto (TA)	1.2	09.11-	63	G4LA
Rio III (UB)	1.25 CVVT	09.11-	63	G4LA
	1.25 LPG	09.11-	63	G4LA
Rio III Sedan (UB)	1.25 CVVT	10.11-	63	G4LA

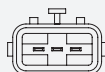
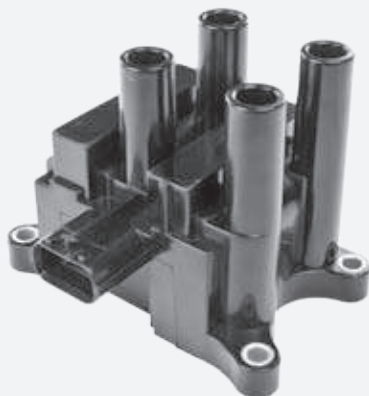
CL905

 OEM-No.
 MAZDA ZJ20-18-100
 ZJ20-18-100A


1 coil per cylinder

MAZDA

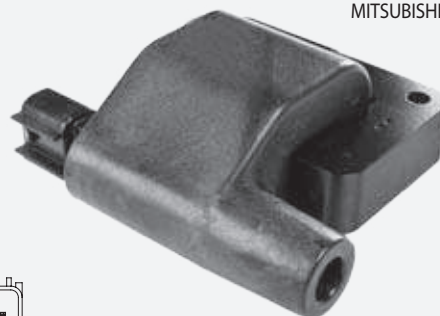
2 (DE)	1.3	10.07-	55	ZJ-VE
	1.3	10.07-	63	ZJ-VE
	1.4 MZR-CD	01.08-	50	Y404
3 (BL)	1.5	10.07-	76	ZY-DE/ZY-VE
	1.6 MZR	06.09-	77	Z6
	1.6 MZR	01.10-12.13	79	Z6
3 (BM)	1.6 MZR CD	11.10-	85	Y655/Y650
	1.6	09.13-	77	Z6Y1
	3 Sedan (BK)	1.6	02.04-	77
3 Sedan (BL)	1.6 MZR	06.09-	77	Z6
3 Sedan (BM)	1.6	09.13-	77	Z6Y3/Z6Y1

CL906

 PIN OEM-No.
 MAZDA L81318100

MAZDA

6 (GG)	1.8	08.02-08.07	88	L813
	2.0	06.02-08.07	104	LF18/LF17
	2.3	06.02-08.07	122	L3C1
6 Hatchback (GG)	1.8	08.02-08.07	88	L813
	2.0	08.02-08.07	104	LF18/LF17
	2.3	08.02-08.07	122	L3C1
6 Station Wagon (GY)	1.8	08.02-08.07	88	L813
	2.0	08.02-08.07	104	LF18/LF17
	2.3	08.02-08.07	122	L3C1
	2.3 AWD	11.02-08.07	119	L3C1
MPV II (LW)	2.3	07.02-02.06	104	L3

CL907

 DIN OEM-No.
 DAIHATSU 90048-52083-000
 90048-52088-000
 90048-52094-000
 MITSUBISHI MD309455

DAIHATSU

Applause I (A1_)	1.6 16V	06.89-07.97	77	HD-E
	1.6 16V 4WD	06.89-07.97	77	HD-E
Feroza Hard Top	1.6 16V	06.92-12.99	63	HDC
	1.6 i 16V 4x4	01.90-12.99	70	HD-E
Feroza Soft Top	1.6 16V	06.92-12.99	63	HDC
	1.6 i 16V	06.90-12.99	70	HD-E

MITSUBISHI

L 300 Bus	2.0 4WD	12.86-	65	4G63 (SOHC 8V)
	2.0 4WD	11.86-	66	4G63 (SOHC 8V)
L 300 Flatbed	2.0	07.94-04.00	85	4G63 (DOHC 16V)

CL908

 OEM-No.
 HYUNDAI 27301-3E400
 KIA 27301-3E400


1 coil per cylinder

HYUNDAI

Grandeur (TG)	2.7	05.06-	141	G6BA
i40 (VF)	2.0 GDI	03.12-	131	G4NC
Santa Fé II (CM)	2.7	01.07-	125	G6BA
	2.7 4x4	01.07-	125	G6BA
	2.7 V6 GLS	01.07-	139	G6EA
	2.7 V6 GLS 4x4	01.07-	139	G6EA
Sonata VI (YF)	2.0 i	01.11-	121	G4KD

KIA

Carens IV	2.0	03.13-	130	G4NC
-----------	-----	--------	-----	------

CL909

CL909

OEM-No.
HYUNDAI 27300-2E000



1 coil per cylinder

HYUNDAI

i40 CW (VF)	2.0 GDI	07.11-	130	G4NC
Sonata V (NF)	2.0 VVTi GLS	05.05-	106	G4KA
	2.0 VVTi GLS	01.08-	121	G4KD

CL910

OEM-No.
MAZDA ZJ01-18-100A



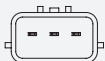
1 coil per cylinder

MAZDA

3 (BK)	1.4	10.03-06.09	62	ZJ-VE
	1.6	10.03-06.09	77	B6ZE

CL911

OEM-No.
NISSAN 22448-ED000
22448-EN200
22448-JA00A
22448-JA00C



1 coil per cylinder

INFINITI

FX	50 AWD	10.08-	287	VK50VE
	50 AWD	06.13-	309	VK50VE

NISSAN

Juke (F15)	1.6	01.13-	69	HR16DE
Micra IV (K13)	1.2	05.10-	59	HR12DE
	1.2 DIG	04.11-	72	HR12DDR
Note (E12)	1.2	06.13-	59	HR12DE
Qashqai / Qashqai +2	1.6	11.10-	86	HR16DE
	2.0	02.07-	104	MR20DE
	2.0 Allrad	02.07-	104	MR20DE
X-Trail (T31)	2.5 4x4	06.07-	124	QR25DE

RENAULT

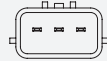
Koleos (HY_)	2.5	09.08-	126	2TR700/_702/_703
	2.5 4x4	09.08-	126	2TR700/_702/_703

ignition coils



CL912

OEM-No.
NISSAN 22448-1KT0A



1 coil per cylinder

NISSAN

Juke (F15)	1.6	06.10-	86	HR16DE
NV200 Evalia	1.6 16V	07.10-	81	HR16DE

CL913

OEM-No.
NISSAN 22448-4W011



5 coils per vehicle (for cyl 2-3-4-5-6)

INFINITI

QX4	3.3	01.97-	125	VG33E
-----	-----	--------	-----	-------

NISSAN

Pathfinder (R50)	3.3 V6 4WD	03.98-10.00	110	VG33E
	3.3 V6 4WD	-12.04	125	VG33E
	3.5 V6 4WD	11.00-12.01	162	VQ35

CL914

OEM-No.
NISSAN 22448-4W001



1 coil per vehicle (for cyl 1)

INFINITI

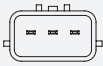
QX4	3.3	01.97-	125	VG33E
-----	-----	--------	-----	-------

NISSAN

Pathfinder (R50)	3.3 V6 4WD	03.98-10.00	110	VG33E
	3.3 V6 4WD	09.97-12.04	125	VG33E
	3.5 V6 4WD	11.00-12.01	162	VQ35

CL915

OEM-No.
NISSAN 22448-8J110
22448-8J111
22448-8J115
22448-8J11C



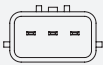
1 coil per cylinder

NISSAN

Murano (Z50)	3.5 4x4	08.03-	172	VQ35DE
Pathfinder (R50)	3.5 V6 4WD	01.03-12.04	162	VQ35
Pathfinder (R51)	4.0 4WD	09.05-	198	VQ40DE

CL916

OEM-No.
NISSAN 22448AR210
22448AR215



1 coil per cylinder

INFINITI

FX	45	02.03-12.08	232	VK45DE
	45 Allrad	01.03-12.08	232	VK45DE
	45 Allrad	09.02-12.05	235	VK45DE
	45 Allrad	09.05-12.08	239	VK45DE
M45	4.5	09.06-12.10	242	VK45DE
	4.5X	09.07-12.10	242	VK45DE
	4.5	01.05-	250	VK45DE
	4.5X	09.07-12.08	250	VK45DE

CL917

OEM-No.
SUBARU 22433-AA451
22433-AA550



1 coil per cylinder

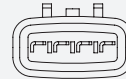
SUBARU

Impreza CC	2.0 R AWD	01.08-	110	EJ204
Impreza Sedan (GD)	2.0 WRX STi AWD	11.01-	195	EJ207
	2.0 WRX Turbo	10.02-	160	EJ205
	2.0 WRX Turbo	12.02-	165	EJ205
Impreza Stat. Wagon	2.0 Turbo AWD	10.02-	160	EJ205
	2.0 WRX Turbo	12.02-	165	EJ205

CL919

DIN Ø5

OEM-No.
TOYOTA 90919-02217
90919-02218



TOYOTA

Avensis (T22)	2.0	09.97-10.00	94	3S-FE
Avensis Liftback (T22)	2.0	09.97-10.00	94	3S-FE
Avensis Station Wagon	2.0	09.97-10.00	94	3S-FE
Camry (CV2, XV2)	2.2	11.00-11.01	93	5S-FE
	2.2	08.96-11.01	96	5S-FE
Hiace IV Bus (LH1_)	2.7	04.98-08.01	105	3RZ-FE
	2.7	11.01-08.06	106	3RZ-FE
	2.7 4WD	04.98-08.01	105	3RZ-FE
Hiace IV Van	2.7	04.98-08.01	105	3RZ-FE
	2.7 4WD	04.98-08.01	106	3RZ-FE
Hilux II Pick-up	2.4 i 4WD	08.97-07.05	103	2RZ-FE
Picnic (_XM10)	2.0	01.01-12.01	90	3S-FE
	2.0 16V	05.96-12.01	94	3S-FE

CL920

OEM-No.
TOYOTA 90919-02251
90919-A2002
90919-A2004
LEXUS 90919-02255



1 coil per cylinder

LEXUS

RX (_U3_)	350 AWD	02.06-12.08	203	2GR-FE
RX (_L1_)	350 AWD	12.08-	204	2GR-FE
	450h	12.08-	183	2GR-FXE
	450h AWD	12.08-	183	2GR-FXE

CL921

OEM-No.
TOYOTA 90919-02246
LEXUS 90919-02246



1 coil per cylinder

LEXUS

RX (_U3_)	400h	09.05-12.08	155	3MZ-FE
	400h AWD	09.04-12.08	155	3MZ-FE

CL922

CL922

OEM-No.
DAIHATSU 90048-52126



1 coil per cylinder

DAIHATSU

Cuore VI (L7_)	1.0 i	10.98-05.03	41	EJ-DE/EJ-VE
Sirion (M1)	1.0 i	04.98-09.00	41	EJ-DE
	1.0 i 4WD	04.99-09.00	41	EJ-DE

CL923

OEM-No.
SUZUKI 33400-50F20
33400-76G00
33400-76G01
33400-76G11



1 coil per cylinder

SUZUKI

Alto (HA11)	1.0	09.94-09.98	39	G10BB
Alto (HA12, HA23)	1.0	01.00-06.02	43	G10BB
Wagon R+ (EM)	1.0	02.98-05.00	48	K10A

CL924

OEM-No.
TOYOTA 90919-02250
90919-02256
90919A2005



1 coil per cylinder

LEXUS

ES (_V6_)	250	06.12-	135	2AR-FE
	300h	06.12-	118	2AR-FXE
GS (_S19_)	3.0	04.05-11.11	170	3GR-FE
	300	04.05-11.11	183	3GR-FSE
	350 AWD	05.08-11.11	232	2GR-FSE
	450h	02.06-11.11	218	2GR-FSE
	450h	02.06-11.11	254	2GR-FSE
GS (GRL1_, GWL1_)	250	01.12-	154	4GR-FSE
	350	01.12-	234	2GR-FSE
	300h	10.13-	133	2AR-FSE
	350 AWD	01.12-	234	2GR-FSE
GX (URJ15_)	460	11.09-	218	1UR-FE
IS II (GSE2_, ALE2_)	250	10.05-	153	4GR-FSE
	250 AWD	10.05-	153	4GR-FSE
IS III (GSE3_, AVE3_)	300h	04.13-	133	2AR-FSE
	250	04.13-	153	4GR-FSE
IS C (GSE2_)	250	04.09-	153	4GR-FSE
LS (UVF4_, USF4_)	460	05.08-	255	1UR-FE

ignition coils



< CL924

LEXUS

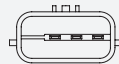
LS (UVF4_, USF4_)	460	04.06-	280	1UR-FSE
	460	09.12-	285	1UR-FSE
	460 AWD	12.08-	270	1UR-FSE
	460 AWD	09.12-	272	1UR-FSE
	600h	08.07-	290	2UR-FSE
LX (URJ201)	570	11.07-	270	3UR-FE
RX (GYL1_, GGL15)	270	12.08-	138	1AR-FE

TOYOTA

Camry Sedan (XV4)	2.5 VVTi	01.10-09.11	129	2AR-FE
Camry Sedan (_V5_)	2.5	09.11-	133	2AR-FE
Corolla Sedan (E15)	1.33	01.07-	74	1NR-FE
IQ	1.33	01.09-	72	1NR-FE
Land Cruiser (_J20_)	4.6 V8	09.10-	227	1UR-FE
	4.6 V8	01.12-	234	1UR-FE
Land Cruiser 150	4.0 V6 Dual VVTi	01.10-	205	1GR-FE
	4.0 V6 VVT-i	01.10-	207	1GR-FE
Mark XI (GRX12_)	2.5 VVTi	03.04-09.09	158	4GR-FSE
	2.5 VVTi 4WD	05.04-09.09	158	4GR-FSE
	3.0 VVTi	05.04-09.09	183	3GR-FSE
Urban Cruiser	1.33	04.10-	73	1NR-FE
	1.33	04.09-	74	1NR-FE
Verso S	1.33	11.10-	70	1NR-FE
	1.33	11.10-	73	1NR-FE
Yaris (_13_)	1.3	09.11-	70	1NR-FE
	1.3	09.11-	73	1NR-FKE/1NR-FE

CL925

OEM-No.
MITSUBISHI 1832A042
H006T11471
H6T11471



1 coil per cylinder

MITSUBISHI

Lancer Sedan (CY/Z)	2.0 EVO 4WD	06.08-	217	4B11 T/C
Lancer Sportback	2.0 Ralliart 4WD	10.08-	177	4B11 T/C

CL926

OEM-No.
HYUNDAI 27301-2B100
KIA 27301-2B100



1 coil per cylinder

HYUNDAI

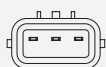
i30 (GD)	1.6 GDI	12.11-	99	G4FD
i30 Coupe	1.6 GDI	05.13-	99	G4FD
i30 CW (GD)	1.6 GDI	06.12-	99	G4FD
i40 (VF)	1.6 GDI	03.12-	99	G4FD
i40 CW (VF)	1.6 GDI	07.11-	99	G4FD
ix35 (LM, EL, ELH)	1.6	11.10-	99	G4FD
Veloster (FS)	1.6 GDI	03.11-	103	G4FD
	1.6 T-GDI	10.12-	137	G4FJ

< CL926
KIA

Carens IV	1.6	03.13-	99	G4FD
Cee'd	1.6 GDI	05.12-	99	G4FD
Cee'd Sportswagon	1.6 GDI	09.12-	99	G4FD
Pro Cee'd	1.6 GDI	03.13-	99	G4FD
Soul (AM)	1.6 GDI	06.11-	103	G4FD
Soul II (PS)	1.6 GDI	02.14-	97	G4FD
Sportage (SL)	1.6 GDI	02.11-	99	G4FD

CL927


OEM-No.
CITROEN 5970.96
MITSUBISHI 1832A016
PEUGEOT 5970.96



1 coil per cylinder

CITROEN

C-Crosser (EP_)	2.4 16V	08.08-	125	SFZ (4B12-MMC)
C-Crosser Enterprise	2.4 16V	01.09-	125	4B12

MITSUBISHI

ASX (GA_W_)	1.8	02.10-	102	4B10
Lancer Sedan (CY/Z)	1.8	05.10-	103	4B10
	1.8	02.08-	105	4B10
	1.8 BiFuel	02.10-	105	4B10
Lancer Sportback	1.8	03.09-	103	4B10
	1.8	06.08-	105	4B10
	1.8 BiFuel	02.10-	105	4B10
	1.8 Flex	03.09-	103	4B10
Outlander II (CW_W)	2.0	11.06-11.12	108	4B11
	2.4 4WD	09.07-11.12	125	4B12

PEUGEOT

4007	2.4 16V	01.08-	125	
------	---------	--------	-----	--

CL928

DIN Ø5



OEM-No.
MITSUBISHI MD314582



1 coil per vehicle (with coil CL598-2 pcs)

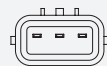
MITSUBISHI

Pajero II	3.0 V6 24V	06.97-10.99	130	6G72 (SOHC 24V)
	3.0 V6 24V	06.94-05.97	133	6G72 (SOHC 24V)
	3.5 V6 24V	07.97-10.99	143	6G74 (DOHC/SOHC)
	3.5 V6 24V	06.94-10.99	153	6G74 (DOHC/SOHC)
Pajero II Canvas Top	3.0 V6 24V	06.94-04.00	133	6G72 (SOHC 24V)
Pajero Sport (K90)	3.0 V6	11.98-	130	6G72 (SOHC 24V)
	3.0 V6	06.00-	125	6G72 (SOHC 24V)

CL929

OEM-No.

MITSUBISHI MN195805
PSA 1607576780



1 coil per cylinder

CITROEN

C4 AirCross	1.6	04.12-	86	4A92
-------------	-----	--------	----	------

MITSUBISHI

ASX (GA_W_)	1.6	05.10-	85	4A92
	1.6	06.10-	86	4A92
Lancer Sedan (CY/Z)	1.5	06.08-	80	4A91
	1.5 BiFuel	02.10-	80	4A91
	1.6	05.10-	86	4A92
Lancer Sportback	1.5	06.08-	80	4A91
	1.5 BiFuel	03.10-	80	4A91
	1.6	05.10-	86	4A92

PEUGEOT

4008	1.6	05.12-	86	4A92
------	-----	--------	----	------

CL930

OEM-No.

MITSUBISHI MR994643



1 coil per cylinder

MITSUBISHI

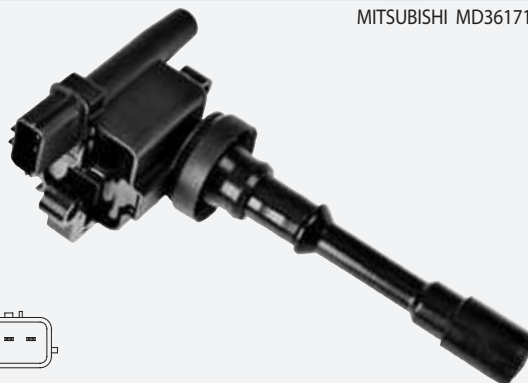
Galant Sedan	2.4	10.03-	116	4G69
Grandis (NA_W)	2.4	04.04-	121	4G69
Outlander I (CU_W)	2.4 4WD	11.03-10.06	118	4G69
	2.4 4WD	05.03-10.06	119	4G69

CL931

DIN Ø5

OEM-No.

MITSUBISHI MD361710



semidirect - 2 coils and ignition lead set T539P

MITSUBISHI

Lancer Combi (CS)	1.6	09.03-10.08	72	4G18
Lancer Sedan	1.3	09.03-	60	4G13 (16V)
	1.6	09.03-	72	4G18
Space Star (DG_A)	1.3 16V	09.00-12.04	60	4G13 (16V)
	1.3 16V	12.98-12.04	61	4G13 (16V)

CL931


Marking of boots

Обозначение наконечников

Typové označení koncovek

Original number of car producer

Обозначение производителя автомобилей

Označení dílu výrobcem automobilů

CP001

pencil coil (CL004)

OEM-No.

AUDI 058905447C

VW 058905447C



resistance: 2 kΩ

length: 111 mm

AUDI

A3 (8L1)	1.8T quattro	12.96-05.03	110	AGU
A4 (8D2, B5)	1.8T	01.95-11.00	110	ARK/AEB/ANB/APU
	1.8T	12.97-11.00	132	AJL
	1.8T quattro	01.95-11.00	110	ARK/AEB/ANB/APU
	1.8T quattro	12.97-11.00	132	AJL
S4 quattro 2.7		09.97-09.01	195	AGB/AZB
A4 Avant (8D5, B5)	1.8T	03.96-09.01	110	ARK/AEB/ANB/APU

car / van make and model (body design)
 марка и модель автомобиля (тип кузова)
 značka a model osobního (užitkového)
 automobilu (typ karoserie)

year of production
 год производства
 rok výroby

engine power (kW)
 мощность двигателя (kW)
 výkon a objem motoru (kW)

type of engine
 тип двигателя
 typ motoru

application for coil
 применение для катушки
 použití pro cívku

Used designations / Используемые термины / Použité výrazy:

- **resistance:** сопротивление / odpor

- **length:** длина / délka

- **pencil / rail coil:** индивидуальная катушка / блок индивидуальных катушек / přímá cívka / zapalovací lišta

- **coil is not in offer:** катушка отсутствует в ассортименте / cívka není v nabídce

- **only for some versions of pencil coils:** только для некоторых типов катушек / pouze pro některé typy cívek

CP001

CP001

pencil coil (CL004)

OEM-No.

AUDI 058905447C

VW 058905447C



resistance: 2 kΩ

length: 111 mm

AUDI

A3 (8L1)	1.8 T quattro	12.96-05.03	110	AGU
A4 (8D2, B5)	1.8 T	01.95-11.00	110	ARK/AEB/ANB/APU
	1.8 T	12.97-11.00	132	AJL
	1.8 T quattro	01.95-11.00	110	ARK/AEB/ANB/APU
	1.8 T quattro	12.97-11.00	132	AJL
	S4 quattro 2.7	09.97-09.01	195	AGB/AZB
A4 Avant (8D5, B5)	1.8 T	03.96-09.01	110	ARK/AEB/ANB/APU
	1.8 T	12.97-09.01	132	AJL
	1.8 T quattro	01.96-09.01	110	ARK/AEB/ANB/APU
	1.8 T quattro	12.97-09.01	132	AJL
	RS4 quattro 2.7	05.00-09.01	280	AZR/ASJ
S4 quattro 2.7	09.97-09.01	195	AGB/AZB	
A6 (4A, C4)	S6 Plus quattro 4.2	04.96-10.97	240	AHK
A6 (4B2, C5)	1.8 T	01.97-01.05	110	ARK/AEB/ANB/APU
	1.8 T	12.97-01.05	132	AJL
	1.8 T quattro	02.97-01.05	110	ARK/AEB/ANB/APU
	1.8 T quattro	12.97-01.05	132	AJL
	2.7 T	02.99-01.05	169	AJK
	2.7 T quattro	12.97-01.05	169	AJK/AZA
	2.7 T quattro	08.01-01.05	184	ARE
A6 Avant (4A, C4)	S6 Plus quattro 4.2	04.96-12.97	240	AHK
A6 Avant (4B5, C5)	1.8 T	12.97-01.05	110	ARK/AEB/ANB/APU
	1.8 T	04.99-01.05	132	AJL
	1.8 T quattro	12.97-01.05	110	ARK/AEB/ANB/APU
	1.8 T quattro	12.97-01.05	132	AJL
	2.7 T	02.99-01.05	169	AJK
	2.7 T quattro	12.97-01.05	169	AJK/AZA
	2.7 T quattro	08.01-01.05	184	ARE
A8 (4D2, 4D8)	S 8 quattro 4.2	07.96-06.99	250	AHC/AKH
Allroad (4BH, C5)	2.7 T quattro	05.00-08.05	184	ARE

SEAT

Alhambra 1.8 T 20V 10.97-03.10 110 AWC/AJH

SKODA

Octavia (1U2)	1.8 T	08.97-12.10	110	AGU
	1.8 T 4x4	05.01-05.06	110	AGU
Octavia Combi (1U5)	1.8 T	07.98-12.10	110	AGU
	1.8 T 4x4	05.01-05.06	110	AGU

VW

Bora (1J2)	1.8 T	05.00-05.05	110	AGU
Bora Combi (1J6)	1.8 T	05.00-05.05	110	AGU
Golf IV (1J1)	1.8 T	08.97-06.05	110	AGU
Golf IV Variant (1J5)	1.8 T	05.00-06.06	110	AGU
Passat (3B2)	1.8 T	10.96-11.00	110	AEB/ANB/APU
Passat Variant (3B5)	1.8 T	06.97-11.00	110	AEB/ANB/APU
Sharan (7M_)	1.8 T 20V	09.97-03.10	110	AJH

CP002

pencil coil (CL033)

OEM-No.

AUDI 034905447



resistance: 5 kΩ

length: 123 mm

AUDI

80 (8C, B4)	S2 quattro	02.93-12.94	169	ABY
80 Avant (8C, B4)	RS2 quattro	03.94-05.95	232	ADU
	S2 quattro	02.93-07.95	169	ABY
100 (4A, C4)	S4 Turbo quattro	08.91-06.94	169	AAN
100 Avant (4A, C4)	S4 Turbo quattro	09.91-06.94	169	AAN
A6 (4A, C4)	S6 Turbo quattro	06.94-10.97	169	AAN
A6 Avant (4A, C4)	S6 Turbo quattro	06.94-12.97	169	AAN
Coupe (89, 8B)	S2 quattro 2.2	10.92-12.96	169	ABY

COP boots



CP003

pencil coil (CL600, CL601)

OEM-No.

BMW 1730412

1730521

9067831

1354489085



resistance: 1,8 kΩ

length: 115 mm

BMW

3 (E30)	318 is	09.89-08.91	100	M42 B18 (18451)	
3 (E36)	318 is	03.93-02.98	103	M42 B18 (18451)	
	320 i	09.90-02.98	110	M52 B20/M50 B20	
	323 i 2.5	03.95-02.98	125	M52 B25 (256S3)	
	325 i	09.90-09.95	141	M50 B25	
	328 i	01.95-02.98	142	M52 B28 (286S1)	
	M3 3.2	09.95-02.98	236	S50 B32 (326S1)	
	3 (E46)	320 i	03.98-09.00	110	M52 B20 (206S4)
		320 i	06.00-09.02	125	M54 B22 (226S1)
		323 i	03.98-09.00	125	M52 B25 (256S4)
		325 i	06.00-09.02	141	M54 B25 (256S5)
325 xi		06.00-09.02	141	M54 B25 (256S5)	
328 i		02.98-06.00	142	M52 B28 (286S2)	
330 i		06.00-09.02	170	M54 B30 (306S3)	
330 xi		06.00-09.02	170	M54 B30 (306S3)	
3 Cabriolet (E36)		320 i	12.93-04.99	110	M52 B20/M50 B20
323 i		06.95-04.99	125	M52 B25 (256S3)	
3 Cabriolet (E46)	325 i	03.93-03.95	141	M50 B25 (256S2)	
	328 i	03.95-04.99	142	M52 B28 (286S1)	
	M3 3.2	10.95-04.99	236	S50 B32 (326S1)	
	320 Ci	09.00-09.02	125	M54 B22 (226S1)	
	323 Ci	04.00-09.00	125	M52 B25 (256S4)	
	325 Ci	09.00-09.02	141	M54 B25 (256S5)	
	330 Ci	06.00-09.02	170	M54 B30 (306S3)	
	3 Compact (E36)	323 ti	08.97-08.00	125	M52 B25 (256S3)
	3 Compact (E46)	325 ti	06.01-09.02	141	M54 B25 (256S5)
	3 Coupe (E36)	320 i	03.92-04.99	110	M52 B20/M50 B20
323 i		03.95-04.99	125	M52 B25 (256S3)	
325 i		03.92-04.99	141	M50 B25	
328 i		01.95-04.99	142	M52 B28 (286S1)	
M3 3.2		10.95-04.99	236	S50 B32 (326S1)	
3 Coupe (E46)		320 Ci	08.99-09.00	110	M52 B20 (206S4)
		320 Ci	06.00-09.02	125	M54 B22 (226S1)
		323 Ci	04.99-09.00	125	M52 B25 (256S4)
		325 Ci	06.00-09.02	141	M54 B25 (256S5)
		328 Ci	04.99-06.00	142	M52 B28 (286S2)
	330 Ci	06.00-09.02	170	M54 B30 (306S3)	
	330 xi	06.00-09.02	170	M54 B30 (306S3)	
	3 Touring (E36)	320 i	01.95-10.99	110	M52 B20 (206S3)
		323 i	09.95-10.99	125	M52 B25 (256S3)
		328 i	01.95-10.99	142	M52 B28 (286S1)
3 Touring (E46)		320 i	10.99-09.00	110	M52 B20 (206S4)
		320 i	06.00-09.02	125	M54 B22 (226S1)
		325 i	06.00-09.02	141	M54 B25 (256S5)
		325 xi	06.00-09.02	141	M54 B25 (256S5)
		328 i	10.99-06.00	142	M52 B28 (286S2)
		330 i	06.00-09.02	170	M54 B30 (306S3)
		330 xi	06.00-09.02	170	M54 B30 (306S3)
	5 (E34)	520 i 24V	09.89-09.95	110	M50 B20
		525 i 24V	09.89-09.95	141	M50 B25 (256S2)
		525 iX 24V	10.91-09.95	141	M50 B25
5 (E39)	530 i V8	09.92-09.95	160	M60 B30 (308S1)	
	540 i V8	09.92-09.95	210	M60 B40 (408S1)	
	520 i	04.99-06.03	100	M52 B20 (206S3)	
	520 i	01.96-09.00	110	M52 B20 (206S3)	
	520 i	09.00-09.02	125	M54 B22 (226S1)	
	523 i	11.95-09.00	125	M52 B25 (256S3)	
	525 i	09.00-09.02	141	M54 B25 (256S5)	
	528 i	11.95-09.00	142	M52 B28	
	530 i	09.00-09.02	170	M54 B30 (306S3)	
	535 i	04.96-03.99	173	M62 B35	
535 i	04.99-06.03	180	M62 B35 (358S2)		
	540 i	04.96-06.03	210	M62 B44	

< CP003
BMW

5 (E39)	M 4.9	10.98-06.03	294	S62 B50 (508S1)
5 Touring (E34)	520 i	11.91-01.97	110	M50 B20
	525 i	11.91-01.97	141	M50 B25
	525 ix	02.92-01.97	141	M50 B25
	530 i V8	09.92-01.97	160	M60 B30 (308S1)
	540 i	09.93-01.97	210	M60 B40 (408S1)
5 Touring (E39)	520 i	01.97-09.00	110	M52 B20 (206S3)
	520 i	04.99-05.04	100	M52 B20 (206S3)
	520 i	09.00-09.02	125	M54 B22 (226S1)
	523 i	01.97-09.00	125	M52 B25 (256S3)
	525 i	09.00-09.02	141	M54 B25 (256S5)
	528 i	01.97-09.00	142	M52 B28
	530 i	09.00-09.02	170	M54 B30 (306S3)
	540 i	01.97-05.04	210	M62 B44
7 (E32)	730 i,iL V8	04.92-09.94	160	M60 B30 (308S1)
	740 i,iL V8	04.92-09.94	210	M60 B40 (408S1)
7 (E38)	728 i,iL	08.95-11.01	142	M52 B28
	730 i,iL	10.94-11.01	155	M60 B30 (308S1)
	730 i,iL	10.94-11.01	160	M60 B30 (308S1)
	735 i,iL	01.96-11.01	173	M62 B35 (358S1)
	740 i,iL	10.94-11.01	210	M60 B40 (408S1)
	740 i,iL	01.96-11.01	210	M62 B44
	750 i,iL	12.94-11.01	240	M73 B54
8 (E31)	840 Ci	01.96-12.99	210	M62 B44 (448S1)
	840 i	02.93-02.96	210	M60 B40 (408S1)
	850 Ci	09.94-12.99	240	M73 B54 (54121)
X5 (E53)	3.0 i	05.00-10.02	163	M54 B30 (306S3)
	3.0 i	05.00-12.06	170	M54 B30 (306S3)
	4.4 i	05.00-12.03	210	M62 B44 (448S2)
	4.6 is	02.02-12.03	255	M62 B46 (468S1)
Z3 (E36)	2.0	04.99-01.03	110	M52 B20 (206S4)
	2.2	08.00-01.03	125	M54 B22 (226S1)
	2.8	04.97-06.00	141	M52 B28 (286S1)
	3.0	06.00-01.03	170	M54 B30 (306S3)
	M 3.2	03.97-06.01	236	S50 B32 (326S1)
	M 3.2	07.97-06.00	141	M52 B28 (286S1)
Z3 Coupe (E36)	3.0	06.00-06.03	170	M54 B30 (306S3)
	M 3.2	02.98-06.01	236	S50 B32 (326S1)
	4.9	06.00-06.03	294	S62 B50 (508S1)

LANDROVER

Range Rover III (LM) 4.4 4x4 03.02-08.12 210 M62 B44

ROVER

45 (RT)	2.0 V6	02.00-05.05	110	20 K4F
45 Sedan (RT)	2.0 V6	02.00-05.05	110	20 K4F
75 (RJ)	2.0 V6	02.99-03.03	110	20 K4F
	2.5 V6	02.99-03.99	129	KV 6
	2.5 V6	10.01-03.03	130	25 K4F
75 Tourer (RJ)	2.5 V6	08.01-03.03	130	KV 6

CP004

pencil coil (CL604, CL606)

OEM-No.


 MERCEDES 0001593542
 0001593642
 for coil 0001587003
 for coil 0001587503

resistance: 2 kΩ

length: 107 mm

DAEWOO

Korando (KJ)	2.3	01.99-	105	M 161.970
	3.2 4x4	01.99-	156	M 104.995
Korando Cabrio (KJ)	2.0 16V	02.99-	94	M 161.950
	2.3	02.99-	105	M 161.970
Musso (FJ)	2.3	01.99-	103	M 111.970
	3.2 4x4	01.99-	162	M 104.992
Rexton (GAB_)	3.2 V6	04.02-	162	M 162.992

MERCEDES

C-Class (W202)	C 180	09.95-05.00	90	M 111.921
	C 180	11.94-05.00	89	M 111.921
	C 200	09.95-05.00	100	M 111.945
	C 200 Kompressor	10.95-05.00	132	M 111.944

< CP004
MERCEDES

C-Class (W202)	C 200 Kompressor	11.96-05.00	141	M 111.944
	C 220	06.96-06.97	110	M 111.974
	C 230 Kompressor	10.95-05.00	142	M 111.975
	C 280	05.93-05.00	142	M 104.941
	C 36 AMG	05.94-05.00	206	M 104.941 AMG
	C 180 T	06.96-09.00	90	M 111.921
C-Class Kombi (S202)	C 200 T	06.96-03.01	100	M 111.945
	C 200 T Kompr.	11.96-03.01	141	M 111.944
	C 230 T	06.96-06.98	110	M 111.974
	C 230 T Kompressor	06.97-09.00	142	M 111.975
	200	06.97-06.02	100	M 111.945
CLK (C208)	200 Kompressor	06.97-06.00	141	M 111.944
	230 Kompressor	06.97-06.00	142	M 111.975/_973
	200	03.98-03.02	100	M 111.941
CLK Cabriolet (A208)	200 Kompressor	03.98-06.00	141	M 111.944
	230 Kompressor	03.98-06.00	142	M 111.975/_973
	320 CE	10.92-05.93	162	M 104.992
Coupe (C124)	E 280	06.93-06.95	145	M 104.942
	E 280	06.93-06.95	142	M 104.942
	E 320	06.93-06.95	162	M 104.992
E-Class (W124)	E 200	06.95-08.00	100	M 111.942
	E 200 Kompressor	06.97-03.02	137	M 111.947
	E 230	06.95-06.97	110	M 111.970
	E 280	01.96-06.97	142	M 104.945
	E 320	06.95-06.97	162	M 104.995
E-Class Cabrio (A124)	E 320	06.93-03.98	162	M 104.992
	E 36 AMG	05.94-03.98	200	M 104.992 AMG
	E 320	06.93-06.97	162	M 104.992
E-Class Coupe (C124)	E 36 AMG	05.94-06.97	200	M 104.992 AMG
	E 36 AMG	06.93-04.95	195	M 104.992 AMG
	E 280 T	06.93-06.96	142	M 104.942
E-Class Kombi (S124)	E 280 T	06.93-06.96	145	M 104.942
	E 320 T	06.93-06.96	162	M 104.992
	E 36 T AMG	05.94-06.96	200	M 104.992 AMG
	E 200 T	06.96-08.00	100	M 111.942
	E 200 T Kompr.	06.97-03.03	137	M 111.947
E-Class Kombi (S210)	E 230 T	06.96-06.97	110	M 111.970
	G 320	09.94-12.97	155	M 104.996
	G 36 AMG	01.95-	200	M 104.996 AMG
G-Class (W463)	320 GE	09.94-11.97	155	M 104.996
	280 TE	10.92-06.93	145	M 104.942
Kombi (S124)	320 TE	10.92-06.93	162	M 104.992
	ML 230	02.98-06.05	110	M 111.977
M-Class (W163)	300 SE 2.8	01.93-10.98	145	M 104.944
	300 SE,SEL/S320	03.91-10.98	170	M 104.994
	S 280	02.93-10.98	142	M 104.944
S-Class (W140)	280 E	10.92-06.93	145	M 104.942
	320 E	10.92-06.93	162	M 104.992
	280	08.93-10.01	142	M 104.943
Sedan (W124)	320	09.93-10.01	170	M 104.991
	200	09.96-03.00	100	M 111.946
SL (R129)	200 Kompressor	03.00-04.04	120	M 111.958
	200 Kompressor	10.96-03.00	141	M 111.943
	230 Kompressor	09.96-03.00	142	M 111.973
SLK (R170)	214	02.95-05.06	105	M 111.979
	214 NGT	04.00-05.06	92	M 111.984
Sprinter 2-t Bus	214	02.95-05.06	105	M 111.979
	214 NGT	04.00-05.06	92	M 111.984
Sprinter 2-t Flatbed	214	02.95-05.06	105	M 111.979
	214 NGT	04.00-05.06	92	M 111.984
Sprinter 2-t Van	214	02.95-05.06	105	M 111.979/_984
	214 NGT	04.00-05.06	92	M 111.984
Sprinter 3-t Bus	314	02.95-05.06	105	M 111.984
	314 4x4	08.02-05.06	105	M 111.984
	314 NGT	04.00-05.06	92	M 111.984
Sprinter 3-t Flatbed	314	02.95-05.06	105	M 111.984
	314 4x4	08.02-05.06	105	M 111.984
	314 NGT	04.00-05.06	92	M 111.984
Sprinter 3-t Van	314	02.95-05.06	105	M 111.979/_984
	314 4x4	08.02-05.06	105	M 111.984
	314 NGT	04.00-05.06	92	M 111.984
Sprinter 4-t Bus	414	02.96-05.06	105	M 111.979
	414	02.96-05.06	105	M 111.979

CP004

< CP004

MERCEDES

Sprinter 4-t Flatbed	414 4x4	05.97-05.06	105	M 111.979
Sprinter 4-t Van	414	02.96-05.06	105	M 111.979
	414 4x4	05.97-05.06	105	M 111.979
V-Class (638/2)	V 200	02.97-07.03	95	M 111.948/_950
	V 230	10.96-07.03	105	M 111.978
Vito Bus (638)	113 2.0	02.96-07.03	95	M 111.948/_950
	114 2.3	12.96-07.03	105	M 111.978
	113 2.0	03.97-07.03	95	M 111.948/_950
	114 2.3	03.97-07.03	105	M 111.978

SSANG YONG

Korando (KJ)	2.0	05.97-	94	
	2.3	05.97-	103	M 111.970
	2.3	01.99-	105	
	3.2	12.96-	154	M 104.995
	3.2	01.99-	156	M 104.995
	3.2	06.97-	162	M 104.992
Korando Cabrio	2.3	11.97-	103	
	2.3	02.99-	105	
	3.2	01.99-	156	M 104.995
	3.2	06.97-	162	M 104.992
Musso (FJ)	2.0	10.96-	93	E20
	2.3	10.96-	103	M 111.970
	2.3	04.03-	110	
	3.2	06.96-	162	M 104.992
Rexton (GAB_)	3.2	04.02-	162	G32D

TAGAZ

Road Partner	2.3 4x4	01.08-	110	
	3.2 4x4	01.08-	162	
Tager	2.3	10.08-	110	
	2.3 4x4	10.08-	110	
	3.2 4x4	10.08-	162	

VW

LT 28-35 II Bus	2.3	05.96-07.06	105	AGL
LT 28-46 II Flatbed	2.3	06.96-07.06	105	AGL
LT 28-46 II Van	2.3	05.96-07.06	105	AGL

CP005

pencil coil (CL601)

OEM-No.
BMW 1402463



resistance: 1,8 kΩ
length: 122 mm

BMW

3 (E36)	M3 3.0	08.94-09.95	210	S50 B30 (30651)
3 Cabriolet (E36)	M3 3.0	01.94-10.95	210	S50 B30 (30651)
3 Coupe (E36)	M3 3.0	10.92-01.95	210	S50 B30 (30651)
	M3 3.0	01.95-10.95	217	S50 B30 (30651)

CP008

coil is not in offer

OEM-No.
LANDROVER for coil NEC101010



resistance: 1,8 kΩ
length: 122 mm

ROVER

45 (RT)	2.0 V6	02.00-05.05	110	20 K4F
45 Sedan (RT)	2.0 V6	02.00-05.05	110	20 K4F

COP boots



CP009

pencil coil

OEM-No.
AUDI 077905447A
VW 077905447A



resistance: 2 kΩ
length: 130 mm

AUDI

A8 (4D2, 4D8)	3.7	07.95-12.98	169	AEW
	3.7 quattro	07.95-11.98	169	AKJ/AEW
	4.2 quattro	03.94-07.96	180	AEM
	4.2 quattro	03.94-11.98	220	AKG/ABZ

CP010

pencil coil (CL505, CL589)

OEM-No.
HYUNDAI for coil 0K247-18-100A
for coil 27301-26002
KIA for coil 0K247-18-100A
for coil 27301-26002



resistance: - kΩ
length: 105 mm

KIA

Carens I (FC)	1.8 i	11.00-07.02	81	T8
Carens II (FJ)	1.8	07.02-	93	TB
Clarus (K9A)	1.8 i 16V	07.96-	85	T8
Clarus Combi (GC)	1.8 i 16V	05.98-	85	T8
Sephia (FA)	1.5 i	02.96-10.97	59	B5
	1.6 i	01.95-10.97	59	B6
	1.8 i 16V	01.95-10.97	82	OK24N/OK26Y
Sephia Sedan	1.5 i	02.96-10.97	59	B5
	1.8 i 16V	01.95-10.97	82	OK24N/OK26Y
Shuma (FB)	1.5 i 16V	10.97-03.01	65	
	1.8 i 16V	10.97-03.01	81	T8
Shuma Sedan	1.5	03.96-12.98	59	OK280
	1.5 i 16V	10.97-10.01	65	
	1.8 GX	05.99-10.01	85	
Shuma II (FB)	1.8	04.03-08.04	84	T8

CP011

pencil coil (CL553)

OEM-No.
KIA for coil 27300-39050
for coil 27300-39700
for coil 27300-39800



resistance: - kΩ
length: 103 mm

KIA

Opirus (GH)	3.5	09.03-	149	G6CU
-------------	-----	--------	-----	------

CP012

pencil coil (CL515)

OEM-No.
HYUNDAI for coil 27301-38020
KIA for coil 27301-38020



resistance: 1 kΩ
length: 104 mm

HYUNDAI

H-1 / Starex	2.4	08.01-04.04	82	G4CS
	2.4 4WD	08.01-04.04	82	G4CS
	2.4 4WD	06.01-04.04	99	G4JS

< CP012
HYUNDAI

Santa Fé I (SM)	2.0	08.01-03.06	99	G4BP
	2.4 16V	02.01-03.06	100	G4JS-G
	2.4 16V	02.01-03.06	107	G4JS-G
	2.4 16V 4x4	02.01-03.06	100	G4JS-G
Sonata IV (EF)	2.0 16V	10.01-11.04	96	G4JP-EG
	2.0 16V	06.98-10.01	100	G4JP-G
	2.4 16V	03.98-10.01	105	G4BS
Trajet (FO)	2.0	02.04-07.08	100	G4JP-G
	2.0	02.04-07.08	103	G4GC-G
Tucson (JM)	2.0	08.04-03.10	104	G4GC
	2.0 Allrad	08.04-03.10	104	G4GC

KIA

Magentis (GD)	2.0	05.01-	100	G4JP
Sorento I (JC)	2.4	08.02-	102	G4JS

CP013

pencil coil (CL548)

OEM-No.

 HYUNDAI for coil 0K013-18-100
 KIA for coil 0K013-18-100


resistance: 5 kΩ

length: 94 mm

KIA

Sportage (K00)	2.0	10.00-08.03	87	FE (16V)
	2.0 4WD	10.00-08.03	87	FE (16V)
	2.0 i 16V	10.99-08.03	94	FE (16V)
	2.0 i 16V 4WD	04.94-08.03	94	FE (16V)

CP014

coil is not in offer

OEM-No.

 GM 89057965
 JEEP 56041476AA


resistance: - kΩ

length: 69 mm

JEEP

Cherokee (XJ)	4.0 i	07.98-09.01	127	
	4.0 i 4x4	01.95-09.01	131	ERH
Wrangler II (TJ)	4.0	06.98-04.07	124	
	4.0 Rubicon	08.03-04.07	128	

CP015

pencil coil (CL621)

OEM-No.

MERCEDES 2721590142



resistance: - kΩ

length: 111 mm

MERCEDES

C-Class (W203)	C 230	01.05-02.07	150	M 272.920
	C 280	01.05-02.07	170	M 272.940
	C 280 4-matic	01.05-02.07	170	M 272.941
	C 350	01.05-02.07	200	M 272.960
	C 350 4-matic	01.05-02.07	200	M 272.960/_970
C-Class (W204)	C 230	01.07-	150	M 272.921
	C 230 4-matic	07.07-	150	M 272.911
	C 280	01.07-	170	M 272.947
	C 280 4-matic	07.07-	170	M 272.948
	C 300	07.09-	170	M 272.947
	C 300 4-matic	07.07-	170	M 272.948

< CP015
MERCEDES

C-Class (W204)	C 350	01.07-	200	M 272.961
	C 350	01.11-	225	M 276.957
	C 350 4-matic	07.07-	200	M 272.971
	C 350 4-matic	01.11-	225	M 276.957
	C 230	01.05-05.08	150	M 272.920
C-Class Coupe (CL203)	C 350	01.05-05.08	200	M 272.960
	C 230	01.05-08.07	150	M 272.920
C-Class T-Model (S203)	C 280	01.05-08.07	170	M 272.940
	C 280 4-matic	01.05-08.07	170	M 272.941
	C 350	01.05-08.07	200	M 272.960
	C 350 4-matic	01.05-08.07	200	M 272.970
	C 230	08.07-	150	M 272.921
C-Class T-Model (S204)	C 280	08.07-	170	M 272.947
	C 350	08.07-	200	M 272.961
	CLC-Class (CL203)	CLC 230	05.08-06.11	150
	CLC 350	05.08-06.11	200	M 272.960
CLK (C209)	280	01.05-05.09	170	M 272.940
	350	01.05-05.09	200	M 272.960
CLK Cabriolet (A209)	CLK 280	01.05-03.10	170	M 272.940
	CLK 350	01.05-03.10	200	M 272.960
	CLK 500	06.06-03.10	285	M 273.967
CLS (C219)	CLS 280	07.08-12.10	170	M 272.943
	CLS 300	04.09-12.10	170	M 272.943
	CLS 350	10.04-12.10	200	M 272.964
	CLS 500	04.06-12.10	285	M 273.960
E-Class (W211)	E 230	09.07-12.08	150	M 272.922
	E 280	03.05-12.08	170	M 272.943
	E 280 4-matic	01.06-12.08	170	M 272.943
	E 350	03.05-12.08	200	M 272.964
	E 350 4-matic	03.05-12.08	200	M 272.972
	E 500	04.06-12.08	285	M 273.960
	E 500 4-matic	04.06-12.08	285	M 273.962
E-Class (W212)	E 350 4-matic	01.09-08.11	200	M 272.977
	E 500	01.09-	285	M 273.971
	E 500 4-matic	01.09-	285	M 273.970
E-Class Cabrio (A207)	E 500	01.10-	285	M 273.966
E-Class Coupe (C207)	E 500	01.09-	285	M 273.966
E-Class T-Model (S211)	E 230 T	05.07-07.09	150	M 272.922
	E 280 T	03.05-07.09	170	M 272.943
	E 280 T 4-matic	03.05-07.09	170	M 272.943
	E 350 T	03.05-07.09	200	M 272.964
	E 350 T 4-matic	03.05-07.09	200	M 272.972
	E 500 T	04.06-07.09	285	M 273.960
	E 500 T 4-matic	04.06-07.09	285	M 273.962
	E 350 4-matic	11.09-	200	M 272.977
E 500	11.09-	285	M 273.971	
GL-Class (X164)	GL 450 4-matic	09.06-	250	M 273.923
	GL 500 4-matic	09.06-	285	M 273.963
GLK-Class (X204)	280 4-matic	06.08-06.09	170	M 272.948
	300 4-matic	07.09-04.11	170	M 272.948
	350 4-matic	06.08-04.11	200	M 272.971
M-Class (W164)	ML 350 4-matic	07.05-	200	
	ML 500 4-matic	12.07-	285	M 273.963
R-Class (W251, V251)	R 280	01.07-	170	M 272.945
	R 300	07.09-	170	M 272.945
	R 350	01.07-	200	M 272.967
	R 350 4-matic	01.06-	200	M 272.967
	R 500 4-matic	01.07-	285	M 273.963
S-Class (W221)	S 350	10.05-	200	M 272.965
	S 350 4-matic	02.08-	200	M 272.975
	S 350 CGI	04.11-	225	M 276.950
	S 350 CGI 4-matic	04.11-	225	M 276.950
	S 450	12.05-	250	M 273.922
	S 450 4-matic	12.05-	250	M 273.924
	S 500	10.05-	285	M 273.961
	S 500 4-matic	10.05-	285	M 273.961/_968
S-Class Coupe (C216)	CL 500	06.06-	285	M 273.961
	CL 500 4-matic	02.08-	285	M 273.968
SL (R230)	280	03.08-01.12	170	M 272.949
	300	04.09-01.12	170	M 272.949
	350	03.06-01.12	200	M 272.966

CP015

< CP015

MERCEDES

SL (R230)	350	04.08-01.12	232	M 272.968
SLK (R171)	280	01.05-02.11	170	M 272.942
	300	04.09-02.11	170	M 272.942
	350	06.04-02.11	200	M 272.963
	350	01.08-02.11	224	M 272.969
Sprinter 3-t Bus	224	06.06-	190	M 272.979
Sprinter 3-t Flatbed	224	06.06-	190	M 272.979
Sprinter 3-t Van	224	06.06-	190	M 272.979
Sprinter 3,5-t Bus	324	06.06-	190	M 272.979
Sprinter 3,5-t Flatbed	324	06.06-	190	M 272.979
Sprinter 3,5-t Van	324	06.06-	190	M 272.979
Sprinter 4,6-t Flatbed	424	06.06-	190	M 272.979
Sprinter 4,6-t Van	424	06.06-	190	M 272.979
Sprinter 5-t Flatbed	524	06.06-	190	M 272.979
Sprinter 5-t Van	524	06.06-	190	M 272.979
Vito / Mixto Van	126	09.07-	190	M 272.978
Vito Bus (W639)	126	09.07-	190	M 272.978

CP016

pencil coil (CL547)

OEM-No.

GM 89057916

89057964

MITSUBISHI for coil MD362907



resistance: - kΩ
length: 139 mm

MITSUBISHI

Carisma (DA_)	1.6	05.96-06.06	66	4G92
	1.6	01.00-06.06	70	4G92
	1.6	05.97-06.06	73	4G92
	1.6	09.00-06.06	76	4G92
	1.8	05.96-06.06	85	4G93
	1.8 16V	07.95-06.06	103	4G93
Carisma Sedan	1.3	09.00-10.04	55	4G13 (12V)
	1.6	09.96-06.06	66	4G92
	1.6	01.00-06.06	70	4G92
	1.6	05.97-06.06	73	4G92
	1.6	09.00-06.06	76	4G92
	1.8	09.96-06.06	85	4G93
Colt IV (CA_A)	1.6	03.96-04.96	66	4G92
Colt V (CJ_, CP_)	1300	09.00-09.03	60	4G13 (16V)
	1600	09.00-09.03	76	4G92
	1600 GLX	05.96-09.00	66	4G92
Galant VI (EA_)	2.0	09.00-10.04	98	4G63 (SOHC 16V)
	2.0	09.96-09.00	100	4G63 (SOHC 16V)
	2.4 GDI	09.00-10.04	106	4G64 (GDI)
	2.4 GDI	02.99-09.00	110	4G64 (GDI)
Galant VI Stat. Wagon	2.0	09.96-09.00	100	4G63 (SOHC 16V)
	2.0	09.00-10.03	98	4G63 (SOHC 16V)
	2.4 GDI	09.00-10.03	106	4G64 (GDI)
	2.4 GDI	02.99-10.03	110	4G64 (GDI)
Lancer VI (CJ-CP_)	1.6 16V	12.95-08.03	66	4G92
Lancer Combi (CS_W)	2.0	09.03-12.07	99	4G63 (DOHC 16V)
Lancer Sedan (CS_A)	2.0	12.03-	99	4G63 (DOHC 16V)
Outlander I (CU_W)	2.4 4WD	05.03-10.06	102	4G64 (SOHC 16V)
Pajero II Canvas Top	1.8 GDI	06.98-04.00	96	4G93 (GDI)
Pajero Pinin	1.8	11.01-06.07	84	4G93
	1.8 GDI	10.99-06.07	88	4G93 (GDI)
Space Runner (N6_W)	2.0	08.99-08.02	100	4G63 (DOHC 16V)
Space Star (DG_A)	1.8 GDI	06.98-12.04	87	4G93 (GDI)
	1.8 GDI	06.98-12.04	90	4G93 (GDI)
	1.8 MPI	10.02-12.04	82	4G93
Space Wagon (N3_W)	2.0	10.92-10.98	98	4G63 (DOHC 16V)
	2.0 4WD	10.92-10.98	98	4G63 (DOHC 16V)
Space Wagon (N9_W)	2.0 GDI	10.98-12.04	98	4G63 (SOHC 16V)
	2.4 GDI	10.98-12.04	110	4G64 (GDI)
	2.4 GDI	09.00-12.04	108	4G64 (GDI)

COP boots



< CP016

MITSUBISHI

Space Wagon (N9_W)	2.4 GDI 4WD	10.98-12.04	110	4G64 (GDI)
	2.4 GDI 4WD	09.00-12.04	108	4G64 (GDI)

CP018

pencil coil (CL915)

OEM-No.

NISSAN 22448-7S015

22448-8J110

for coil 22448-8J115



resistance: 2 kΩ
length: 124 mm

NISSAN

Murano (Z50)	3.5 4x4	08.03-	172	VQ35DE
Pathfinder (R50)	3.5 V6 4WD	01.03-12.04	162	VQ35
Pathfinder (R51)	4.0 4WD	09.05-	198	VQ40DE

CP019

pencil coil (CL592, CL911, CL916)

OEM-No.

NISSAN 22448-3H315

22448-EA000



resistance: 2 kΩ
length: 130 mm

INFINITI

FX	45	02.03-12.08	232	VK45DE
	45 Allrad	01.03-12.08	232	VK45DE

NISSAN

Primera (P12)	2.0	03.02-	103	QR20DE
Primera Combi (P12)	2.0	03.02-	103	QR20DE
Primera Hatchback	2.0	07.02-	103	QR20DE
Teana I (J31)	2.0	10.03-06.08	103	QR20DE
X-Trail (T30)	2.0	07.01-	103	QR20DE
	2.0 4x4	07.01-	103	QR20DE
	2.5 4x4	09.02-	121	QR25DE
X-Trail (T31)	2.5 4x4	06.07-	124	QR25DE

CP020

pencil coil (CL535, CL537)

OEM-No.

NISSAN for coil 22448-2Y000

for coil 22448-2Y001

for coil 22448-31U01



resistance: - kΩ
length: 153 mm

INFINITI

I30	3.0	01.97-	142	VQ30DE
-----	-----	--------	-----	--------

NISSAN

Maxima II (J30)	3.0 i	10.88-06.94	125	VG30E
Maxima QX (A32)	2.0	02.95-08.00	103	VQ20DE
	2.5 V6 24V	02.95-08.00	140	VQ25DE
	3.0	01.95-08.00	142	VQ30DE
Maxima QX (A33)	2.0 V6 24V	03.00-11.03	103	VQ20DE
	2.5 V6 24V	03.00-11.03	154	VQ25DE
	3.0 V6 24V	03.00-11.03	147	VQ30DE
Maxima St. Wagon	2.0 QX	10.97-	103	VQ20DE
	2.5 V6 24V	10.97-	140	VQ25DE
	3.0 QX	10.97-	142	VQ30DE

CP021

pencil coil (CL536)

OEM-No.

NISSAN for coil 22448-31U06



resistance: - kΩ

length: 132 mm



INFINITI

I30	3.0	01.97-	142	VQ30DE
-----	-----	--------	-----	--------

NISSAN

Maxima QX (A32)	2.0	02.95-08.00	103	VQ20DE
	2.5 V6 24V	02.95-08.00	140	VQ25DE
	3.0	01.95-08.00	142	VQ30DE
Maxima QX (A33)	2.0 V6 24V	03.00-11.03	103	VQ20DE
	2.5 V6 24V	03.00-11.03	154	VQ25DE
	3.0 V6 24V	03.00-11.03	147	VQ30DE
Maxima St. Wagon	2.0 QX	10.97-	103	VQ20DE
	2.5 V6 24V	10.97-	140	VQ25DE
	3.0 QX	10.97-	142	VQ30DE

CP022

pencil coil (CL538)

OEM-No.

NISSAN for coil 22448-2Y005



resistance: - kΩ

length: 129 mm



NISSAN

Maxima II (J30)	3.0 i	10.88-06.94	125	VG30E
-----------------	-------	-------------	-----	-------

CP023

pencil coil (Mitsubishi system right)

OEM-No.

NISSAN for coil 22448-31U01



resistance: - kΩ

length: 154 mm

INFINITI

I30	3.0	01.97-	142	VQ30DE
-----	-----	--------	-----	--------

NISSAN

Maxima II (J30)	3.0 i	10.88-06.94	125	VG30E
Maxima QX (A32)	2.0	02.95-08.00	103	VQ20DE
	2.5 V6 24V	02.95-08.00	140	VQ25DE
	3.0	01.95-08.00	142	VQ30DE
Maxima QX (A33)	2.0 V6 24V	03.00-11.03	103	VQ20DE
	2.5 V6 24V	03.00-11.03	154	VQ25DE
	3.0 V6 24V	03.00-11.03	147	VQ30DE
Maxima St. Wagon	2.0 QX	10.97-	103	VQ20DE
	2.5 V6 24V	10.97-	140	VQ25DE
	3.0 QX	10.97-	142	VQ30DE

CP024

pencil coil (Mitsubishi system left)

OEM-No.

NISSAN for coil 22448-31U16



resistance: - kΩ

length: 133 mm

INFINITI

I30	3.0	01.97-	142	VQ30DE
-----	-----	--------	-----	--------

NISSAN

Maxima II (J30)	3.0 i	10.88-06.94	125	VG30E
Maxima QX (A32)	2.0	02.95-08.00	103	VQ20DE
	2.5 V6 24V	02.95-08.00	140	VQ25DE
	3.0	01.95-08.00	142	VQ30DE

COP boots

< CP024

NISSAN

Maxima QX (A33)	2.0 V6 24V	03.00-11.03	103	VQ20DE
	2.5 V6 24V	03.00-11.03	154	VQ25DE
	3.0 V6 24V	03.00-11.03	147	VQ30DE
Maxima St. Wagon	2.0 QX	10.97-	103	VQ20DE
	2.5 V6 24V	10.97-	140	VQ25DE
	3.0 QX	10.97-	142	VQ30DE

CP025

pencil coil (CL914: cyl 1)

OEM-No.

NISSAN for coil 22448-4W001



resistance: - kΩ

length: 143 mm



NISSAN

Pathfinder (R50)	3.3 V6 4WD	03.98-10.00	110	VG33E
	3.3 V6 4WD	09.97-12.04	125	VG33E
	3.5 V6 4WD	11.00-12.01	162	VQ35

CP026

pencil coil (CL913: cyl 2-6)

OEM-No.

NISSAN for coil 22448-4W011



resistance: - kΩ

length: 121 mm



NISSAN

Pathfinder (R50)	3.3 V6 4WD	03.98-10.00	110	VG33E
	3.3 V6 4WD	09.97-12.04	125	VG33E
	3.5 V6 4WD	11.00-12.01	162	VQ35

CP027

pencil coil (CL625)

OEM-No.

PORSCHE 99660210301



resistance: 2 kΩ

length: 113 mm

PORSCHE

911 (996)	3.4 Carrera	09.97-09.01	221	M 96.01/M 96.04
	3.4 Carrera 4	09.97-09.01	221	M 96.01/M 96.04
	3.6 Carrera 4	10.01-08.05	235	M 96.03
911 (997)	3.6 Carrera	07.04-12.08	239	M 96.05
	3.6 GT 3	03.06-12.09	305	M 97.76
	3.6 Turbo	03.06-12.09	353	M 97.70
	3.8 Carrera 4S	07.04-12.08	261	M 97.01
	3.8 Carrera S	07.04-12.08	261	M 97.01
911 Cabriolet (996)	3.4 Carrera	02.98-09.01	221	M 96.01/M 96.04
911 Cabriolet (997)	3.6 Carrera	04.05-12.08	239	M 96.05
	3.6 Carrera 4	04.05-12.08	239	M 96.05
	3.6 Turbo	09.07-12.09	353	M 97.70
Boxster (986)	2.5	09.96-08.99	150	M 96.20
Boxster (987)	2.7	11.04-12.06	176	M 96.25
	2.7	07.06-12.09	180	M 97.20
	S 3.2	11.04-12.06	206	M 96.26
	S 3.4	07.06-12.09	217	M 97.21
	Cayman (987)	2.7	07.06-12.09	180

CP028

CP028

pencil coil (CL625)

OEM-No.
PORSCHE 99660210500



resistance: 2 kΩ
length: 115 mm

PORSCHE

911 (996)	3.6 Carrera	10.01-08.05	235	M 96.03
	3.6 Carrera S	02.03-08.05	254	M 96.03
	3.6 Carrera 4S	02.03-08.05	254	M 96.03
	3.6 GT2	04.01-08.05	340	M 96.70
	3.6 GT2	10.03-08.05	355	M 96.70
	3.6 GT3	03.99-08.05	265	M 96.76
	3.6 GT3	03.03-08.05	280	M 96.79
	3.6 Turbo 4	06.00-08.05	309	M 96.70
	3.6 Turbo 4S	02.03-08.05	331	M 96.70
911 Cabriolet (996)	3.4 Carrera 4	02.98-09.01	221	M 96.02/M 96.04
	3.6 Carrera	10.01-08.05	235	M 96.03
	3.6 Carrera 4	10.01-08.05	235	M 96.03
	3.6 Carrera S	06.02-08.05	254	M 96.03
	3.6 Carrera 4S	06.02-08.05	254	M 96.03
	3.6 Turbo 4	10.03-08.05	309	M 96.70
	3.6 Turbo 4S	10.03-08.05	331	M 96.70
911 Cabriolet (997)	3.8 Carrera S	04.05-12.08	261	M 97.01
	3.8 Carrera 4S	04.05-12.08	261	M 97.01
911 Targa (996)	3.6	12.01-08.05	235	M 96.03
Boxster (986)	2.7	08.99-07.02	162	M 96.22
	2.7	07.02-12.04	168	M 96.23
	S 3.2	08.99-07.02	185	M 96.21
	S 3.2	07.02-12.04	191	M 96.24
	S 3.2	01.04-12.04	196	M 96.24
Cayman (987)	S 3.4	11.05-12.09	217	M 97.21

CP029

pencil coil (CL512, CL557)

OEM-No.
SUZUKI for coil 33410-77E20
for coil 33410-77E21
for coil 33410-77E22



resistance: - kΩ
length: 118 mm

SUZUKI

Baleno (EG)	1.8 GTX	03.96-05.02	89	J18A
Baleno CC	1.8 GTX	03.96-05.02	89	J18A
Baleno Combi	1.8 i 16V	08.96-05.02	89	J18A
Grand Vitara I (FT)	2.0 4x4	03.98-07.03	94	J20A
	2.5 V6 24V	04.98-07.03	106	H 25 A
	2.5 V6 24V 4x4	04.01-07.03	116	H 25 A
	2.7 4x4	09.01-07.03	127	H 27 A
	2.7 4x4	04.03-07.03	135	H 27 A
Grand Vitara II (JT)	2.0 Allrad	10.05-	103	J20A
Vitara (ET, TA)	2.0 16V Allrad	12.96-03.98	97	J20A
	2.0 V6 24V Allrad	12.94-03.98	100	H 20 A
	2.5 V6 24V Allrad	12.95-03.98	118	H 25 A
Vitara Cabrio (ET, TA)	2.0 16V	12.96-03.99	97	J20A

CP030

pencil coil (CL580)

OEM-No.
TOYOTA 90919-02212



resistance: - kΩ
length: 136 mm

TOYOTA

4 Runner	3.4 i	11.95-03.96	136	5VZ-FE
Land Cruiser 90	3.4 i 24V	04.96-	131	5VZ-FE

COP boots



CP031

coil is not in offer

OEM-No.
TOYOTA 90919-02213



resistance: - kΩ
length: 131 mm

TOYOTA

Paseo Cabrio (EL54)	1.5	10.96-01.98	66	5E-FE
Paseo Coupe (EL54)	1.5 16V	08.95-07.99	66	5E-FE

CP033

coil is not in offer

OEM-No.
TOYOTA 90080-19012



resistance: - kΩ
length: 126 mm

TOYOTA

Camry (_ V2_)	3.0 24V	08.96-11.01	140	1MZ-FE
	3.0 V6	08.96-11.01	135	1MZ-FE

CP034

pencil coil (CL121)

OEM-No.
VOLVO for coil 30713416
9125601-0
9125601-6



resistance: - kΩ
length: 104 mm

VOLVO

C70 I Cabriolet	2.0 T	03.00-10.05	120	B 5204 T4	
	2.0 T	08.98-10.05	166	B 5204 T3	
	2.3 T5	08.98-10.05	176	B 5234 T3	
	2.3 T5	07.02-10.05	180	B 5234 T9	
	2.4 T	07.02-10.05	147	B 5244 T7	
	2.5	06.98-10.05	125	B 5254 S	
	2.5 T	08.98-10.05	142	B 5254 T/B 5244 T	
C70 I Coupe	2.0 T	03.00-09.02	120	B 5204 T4	
	2.0 T	08.98-09.02	166	B 5204 T3	
	2.3 T-5	08.98-09.02	176	B 5234 T3	
	2.5	03.99-09.02	121	B 5254 S	
	2.5	05.99-09.02	125	B 5244 S/B 5254 S	
S60 I	2.0 T	07.00-07.04	132	B 5204 T5	
	2.4	11.00-04.10	103	B 5244 S2	
	2.4	11.00-04.10	125	B 5244 S	
	2.4 BiFuel (CNG)	06.02-04.10	103	B 5244 SG	
	2.5 T	02.04-04.10	154	B 5254 T2	
	2.5 T AWD	04.04-04.10	154	B 5254 T2	
	S70 (LS)	2.0	01.97-11.00	120	B 5204 T4
		2.0 Turbo	01.97-11.00	166	B 5204 T3
		2.3	04.99-09.00	195	B 5234 T7
		2.3 T-5	08.98-11.00	176	B 5234 T3
2.4		08.99-11.00	103	B 5244 SG/B 5244 S2	
2.4		01.97-11.00	125	B 5244 S/B 5254 S	
2.4 AWD		04.99-09.00	103	B 5244 S2	
2.4 AWD		10.98-05.99	121	B 5254 S	
2.4 AWD		04.99-09.00	125	B 5244 S	
2.4 T5 AWD		08.98-04.99	142	B 5254 T	
S80 I (TS, XY)	2.4 Turbo	08.98-11.00	142	B 5254 T/B 5244 T	
	2.5 BiFuel	07.99-11.00	103	B 5244 SG	
	2.0	06.98-07.06	120	B 5204 T4	
	2.0 T	12.99-07.04	132	B 5204 T5	
	2.0 T	06.98-07.06	166	B 5204 T3	
	2.4	01.99-07.06	103	B 5244 S2	

< CP034
VOLVO

S80 I (TS, XY)	2.4	01.99-07.06	125 B 5244 S	
	2.4 BiFuel	09.01-07.06	103 B 5244 SG2	
	2.4 T	06.00-07.06	147 B 5244 T3	
	2.4 T5 AWD	04.00-09.03	147 B 5244 T3	
	2.5 T	03.03-07.06	154 B 5254 T2	
	2.5 T AWD	07.03-07.06	154 B 5254 T2	
	2.8 T6	05.98-07.06	200 B 6284 T	
	2.9	03.99-07.06	147 B 6294 S	
	2.9	05.98-07.06	150 B 6304 S3	
	3.0	06.01-07.06	144 B 6294 S2	
	3.0 T6	06.01-07.06	200 B 6294 T	
	V70 I (LV)	2.0	01.97-03.00	120 B 5204 T4
		2.0 Turbo	08.98-03.00	155 B 5204 T
2.0 Turbo		08.98-03.00	166 B 5204 T3	
2.0 Turbo AWD		08.98-03.00	166 B 5204 T3	
2.3 AWD		08.98-09.98	177 B 5234 T3	
2.3 T-5		08.98-03.00	176 B 5234 T3	
2.3 T-5 AWD		08.98-03.00	176 B 5234 T3	
2.4		08.99-05.00	103 B 5244 SG2/B 5244S2	
2.4		01.97-05.00	125 B 5244 S/B 5254S	
2.4 AWD		10.98-05.99	121 B 5254 S	
2.4 BiFuel		08.99-03.00	103 B 5244 SG	
2.4 Turbo		08.98-03.00	142 B 5254 T/B 5244T	
2.5 Turbo AWD		08.98-05.00	142 B 5254 T/B 5244T	
V70 II (SW)	2.0 T	07.01-08.07	132 B 5204 T5	
	2.3 T5	03.00-08.04	184 B 5234 T3	
	2.4	03.00-08.07	103 B 5244 S2	
	2.4	03.00-08.07	125 B 5244 S	
	2.4 BiFuel	09.01-08.07	103 B 5244 SG	
	2.4 T	03.00-08.03	147 B 5244 T3	
	2.4 T AWD	09.01-08.02	147 B 5244 T3	
	2.5 AWD	09.02-12.04	155 B 5254 T2	
	2.5 T	04.04-08.07	154 B 5254 T2	
	2.5 T AWD	09.02-08.07	154 B 5254 T2	
	XC70 Cross Country	2.4 XC AWD	11.97-09.02	142 B 5254 T
		2.4 XC AWD	03.00-09.02	147 B 5244 T3
		2.5 XC AWD	09.02-08.07	154 B 5254 T2
XC90 I	2.5 T	10.02-	154 B 5254 T2	
	2.5 T AWD	10.12-	154 B 5254 T9	
	2.9 T6	10.02-	200 B 6294 T	

CP035

pencil coil (CL410)

OEM-No.

VOLVO for coil 8677837



resistance: - kΩ

length: 96 mm

FORD

Focus II (DA_)	2.5 RS	01.09-07.11	224 JZDA
	2.5 RS 500	05.10-07.11	257 JZDA
	2.5 ST	10.05-09.12	166 HYDA
Kuga I	2.5	03.09-	147 HYDB/HYDC
	2.5 4x4	03.09-	147 HYDB
Mondeo IV (BA7)	2.5	03.07-09.14	162 HUBA
Mondeo IV Sedan	2.5	03.07-09.14	162 HUBA
Mondeo IV Turnier	2.5	03.07-12.12	162 HUBA
S-Max (WA6)	2.5 ST	05.06-	162 HUWA
VOLVO			
C30	2.4 i	10.06-12.12	125 B 5244 S4
	2.5 T5	10.06-12.12	162 B 5254 T3
	2.5 T5	03.07-12.12	169 B 5254 T7
C70 II Cabriolet	2.4	03.06-	103 B 5244 S5
	2.4 i	03.06-	125 B 5244 S4
	2.5 T5	03.06-	162 B 5254 T3
	2.5 T5	03.07-	169 B 5254 T7
S40 II (MS)	2.4	01.04-	103 B 5244 S5

< CP035
VOLVO

S40 II (MS)	2.4	01.04-	125 B 5244 S4
	2.5 T5	01.04-	162 B 5254 T3
	2.5 T5	03.07-	169 B 5254 T7
	2.5 T5 AWD	04.04-	162 B 5254 T3
	2.5 T5 AWD	03.07-	169 B 5254 T7
	S60 I	2.0 T	08.04-04.10
2.4 T		11.00-04.10	147 B 5244 T3
2.4 T AWD		11.01-04.10	147 B 5244 T3
2.4 T5		04.04-04.10	191 B 5244 T5
R 2.5 T AWD		03.03-04.10	221 B 5254 T4
S80 I (TS, XY)	2.0 T	08.04-07.06	132 B 5204 T5
S80 II (AS)	2.5 T	03.06-	147 B 5254 T6
	2.5 T	01.10-	170 B 5254 T10
	2.5 T FlexFuel	05.08-	147 B 5254 T8
	2.5 T FlexFuel	01.10-	170 B 5254 T11
V40 CC	2.5 T5	01.14-	183 B 5254 T14
V50 (MW)	2.4	04.04-	103 B 5244 S5
	2.4	04.04-	125 B 5244 S4
	2.5 T5	04.04-	162 B 5254 T3
	2.5 T5	03.07-	169 B 5254 T7
	2.5 T5 AWD	04.04-	162 B 5254 T3
V70 II (SW)	2.0 T	07.01-08.07	132 B 5204 T5
	2.4 T5	04.04-08.07	191 B 5244 T5
	R 2,5 T AWD	03.03-08.07	221 B 5254 T4
V70 III (BW)	2.5 T	08.07-	147 B 5254 T6
	2.5 T	01.10-	170 B 5254 T10
	2.5 T FlexiFuel	05.08-	147 B 5254 T8
	2.5 T FlexiFuel	10.09-	170 B 5254 T11
XC60	2.5 T5 AWD	04.14-	187 B 5254 T12

CP036

pencil coil (CL1305, CL306, CL307)

OEM-No.

ALFA ROMEO 71713719



resistance: 2 kΩ

length: 102 mm

ALFA ROMEO

145 (930)	1.4 i.e. 16V.T.S.	12.96-01.01	76 AR 33503
	1.6 i.e. 16V.T.S.	12.96-01.01	88 AR 67601
	1.8 i.e. 16V	03.98-01.01	106 AR 32201
	1.8 i.e. 16V.T.S.	12.96-12.98	103 AR 67106
	2.0 16V Quadrifoglio	03.98-01.01	114 AR 32301
	2.0 16V.T.S.	10.95-01.01	110 AR 67204
146 (930)	1.4 i.e. 16V.T.S.	11.96-01.01	76 AR 33503
	1.6 i.e. 16V.T.S.	11.96-01.01	88 AR 67601
	1.8 i.e. 16V.T.S.	11.96-01.01	103 AR 67106
	1.8 i.e. 16V.T.S.	03.98-01.01	106 AR 32201
	2.0 16V Quadrifoglio	03.98-01.01	114 AR 32301
	2.0 16V.T.S.	10.95-01.01	110 AR 67204
147 (937)	1.6 16V.T.S.	01.01-03.10	88 AR 32104
	1.6 16V.T.S. Eco	01.01-03.10	77 AR 37203
	2.0 16V.T.S.	01.01-03.10	110 AR 32310
155 (167)	1.6 16V.T.S.	05.96-12.97	88 AR 67601
	1.7 T.S. 16V	05.96-12.97	103 AR 67106
	2.0 T.S. 16V	03.95-12.97	110 AR 67299/ 67204
156 (932)	1.6 16V.T.S.	09.97-09.05	88 AR 32103/ 32104
	1.8 16V.T.S.	09.97-10.00	106 AR 32201
	1.8 16V.T.S.	10.00-09.05	103 AR 32205
	2.0 16V.T.S.	09.97-10.00	114 AR 32301
	2.0 16V.T.S.	10.00-03.02	110 AR 32310
	156 Sportwagon	1.6 16V.T.S.	05.00-05.06
1.8 16V.T.S.		05.00-10.00	106 AR 32201
1.8 16V.T.S.		10.00-05.06	103 AR 32205
2.0 16V.T.S.		05.00-06.02	114 AR 32301
2.0 16V.T.S.		10.00-03.02	110 AR 32310
166 (936)	2.0 T.S.	09.98-10.00	114 AR 34103
	2.0 T.S.	10.00-06.07	110 AR 36301
GT (937)	1.8 TS	11.03-09.10	103 AR 32205



CP036

< CP036

ALFA ROMEO

GTV (916C_)	1.8 16V	05.98-10.05	106	AR 32201
	2.0T.S. 16V	06.95-10.05	110	AR 16201/_ 32310
	2.0T.S. 16V	05.98-08.00	114	AR 32301
Spider (916S_)	1.8 16V	05.98-04.05	106	AR 32201
	2.0T.S. 16V	06.95-04.05	110	AR 16201/_ 32310
	2.0T.S. 16V	05.98-08.00	114	AR 32301

CP038

pencil coil (CL616)

OEM-No.

MERCEDES 0001594942



resistance: - kΩ

length: 94 mm



MERCEDES

C-Class (W203)	C 180	10.00-05.02	95	M 111.951
	C 200 Kompressor	05.00-06.02	120	M 111.955
C-Class Coupe (CL203)	C 180	03.01-05.02	95	M 111.951
	C 200 Kompressor	03.01-05.02	120	M 111.955
	C 230 Kompressor	03.01-05.02	145	M 111.981
C-Class Kombi (S202)	C 180 T	09.00-03.01	95	M 111.952
	C 200 T Kompr.	09.00-03.01	120	M 111.956
C-Class T-Model (S203)	C 180	03.01-05.02	95	M 111.951
	C 200 Kompressor	03.01-05.02	120	M 111.955
CLK (C208)	200 Kompressor	06.00-06.02	120	M 111.956
	230 Kompressor	06.00-06.02	145	M 111.982
CLK Cabriolet (A208)	200 Kompressor	06.00-03.02	120	M 111.956
	230 Kompressor	06.00-03.02	145	M 111.982
E-Class (W210)	E 200 Kompressor	08.00-03.02	120	M 111.957
E-Class Kombi (S210)	E 200 T Kompr.	08.00-03.03	120	M 111.957
SLK (R170)	200 Kompressor	03.00-04.04	120	M 111.958
	230 Kompressor	03.00-04.04	145	M 111.983

CP039

pencil coil (CL618, CL622)

OEM-No.

MERCEDES 0001594842



resistance: - kΩ

length: 98 mm



MERCEDES

C-Class (W203)	C 180 Kompressor	05.02-02.07	105	M 271.946	
	C 200 CGI Kompr.	07.03-02.07	125	M 271.942	
	C 200 Kompressor	05.02-02.07	120	M 271.940	
	C 230 Kompressor	02.04-02.07	141	M 271.948	
C-Class (W204)	C 180 CGI	01.07-	115	M 271.820	
	C 180 Kompressor	01.08-	115	M 271.910	
	C 180 Kompressor	01.07-	115	M 271.952	
	C 200 CG	01.07-	135	M 271.820	
	C 200 Kompressor	01.07-	135	M 271.950	
	C 250 CGI	07.09-	150	M 271.860	
	C 250	06.11-	150	M 271.820	
C-Class Coupe (C204)	C 180	06.11-	115	M 271.820	
	C 250	06.11-	150	M 271.860	
	C-Class Coupe (CL203)	C 160 Kompressor	05.02-05.08	90	M 271.921
		C 180 Kompressor	05.02-05.08	105	M 271.946
		C 200 CGI Kompr.	03.03-05.08	125	M 271.942
C 200 Kompressor		05.02-05.08	120	M 271.940	
C-Class T-Model (S203)	C 230 Kompressor	05.02-05.08	141	M 271.948	
	C 180 Kompressor	05.02-08.07	105	M 271.946	
	C 200 CGI Kompr.	07.03-08.07	125	M 271.942	
	C 200 Kompressor	05.02-08.07	120	M 271.940	
C-Class T-Model (S204)	C 230 Kompressor	02.04-08.07	141	M 271.948	
	C 180 CGI	11.09-	115	M 271.820	
	C 180 Kompressor	01.08-	115	M 271.910	
	C 180 Kompressor	08.07-	115	M 271.952	
	C 200 Kompressor	08.07-	135	M 271.950	
C 250	07.09-	150	M 271.860		

COP boots



< CP039

MERCEDES

CLC-Class (CL203)	CLC 160	02.09-06.11	95	M 271.911
	CLC 180 Kompr.	05.08-06.11	105	M 271.946
	CLC 200 Kompr.	05.08-06.11	135	M 271.957
CLK (C209)	200 CGI	07.03-05.09	125	M 271.942
	200 Kompressor	10.06-05.09	135	M 271.955
	200 Kompressor	09.02-05.09	120	M 271.940
CLK Cabriolet (A209)	CLK 200 CGI	07.03-03.10	125	M 271.942
	CLK 200 Kompr.	02.03-03.10	120	M 271.940
	CLK 200 Kompr.	10.06-03.10	135	M 271.955
E-Class (W211)	E 200 Kompressor	04.06-12.08	135	M 271.956
	E 200 Kompressor	11.02-12.08	120	M 271.941
	E 200 NGT	11.06-12.08	120	M 271.941
E-Class (W212)	E 200 CGI	08.09-	135	M 271.820/_ .860
	E 200 NGT	03.11-	120	M 271.958
	E 250 CGI	01.09-	150	M 271.860
E-Class Cabrio (A207)	E 200 CGI	01.10-	135	M 271.820/_ .860
	E 250 CGI	01.10-	150	M 271.860
E-Class Coupe (C207)	E 200 CGI	01.10-	135	M 271.820/_ .860
	E 250 CGI	01.09-	150	M 271.860
E-Class T-Model (S211)	E 200 Kompressor	04.06-07.09	135	M 271.956
	E 200 T Kompr.	03.03-07.09	120	M 271.941
E-Class T-Model (S212)	E 200 CGI	11.09-	135	M 271.860
	E 250 CGI	11.09-	150	M 271.860
SLK (R171)	200 Kompressor	03.04-02.11	120	M 271.944
	200 Kompressor	01.08-02.11	135	M 271.954
SLK (R172)	200	02.11-	135	M 271.860/_ .861
	250	02.11-	150	M 271.860/_ .861
Sprinter 3,5-t Bus	316	09.08-	115	M 271.951
Sprinter 3,5-t Flatbed	316	09.08-	115	M 271.951
Sprinter 3,5-t Van	316	09.08-	115	M 271.951
Sprinter 5-t Flatbed	516	09.08-	115	M 271.951

CP040

pencil coil (CL620)

OEM-No.

PORSCHE for coil 94860210401



resistance: - kΩ

length: 57 mm



PORSCHE

Cayenne (955)	S 4.5	09.02-09.07	250	M 48.00
	4.5 Turbo	09.02-09.07	331	M 48.50
	S 4.5 Turbo	01.04-09.07	368	M 48.50S

CP041

pencil coil (CL564, CL571, CL575, CL579, CL924)

OEM-No.

TOYOTA for coil 90080-19027

90919-A2003

for coil 90919-A2005



resistance: - kΩ

length: 40 mm

LEXUS

ES (_ _V6_)	250	06.12-	135	2AR-FE
	300h	06.12-	118	2AR-FXE
GS (UZS161, JZS160)	430	11.00-03.05	208	3UZ-FE
GS (_ _S19_)	3.0	04.05-11.11	170	3GR-FE
	300	04.05-11.11	183	3GR-FSE
	350 AWD	05.08-11.11	232	2GR-FSE
	450h	02.06-11.11	218	2GR-FSE
	450h	02.06-11.11	254	2GR-FSE
GS (GRL1_, GWL1_)	250	01.12-	154	4GR-FSE
	350	01.12-	234	2GR-FSE
	300h	10.13-	133	2AR-FSE
	350 AWD	01.12-	234	2GR-FSE
GX (URJ15_)	460	11.09-	218	1UR-FE
IS I (JCE1_, GXE1_)	200	04.99-07.05	114	1G-FE

< CP041
LEXUS

IS II (GSE2_, ALE2)	250	10.05-	153	4GR-FSE
	250 AWD	10.05-	153	4GR-FSE
IS III (GSE3_, AVE3_)	300h	04.13-	133	2AR-FSE
	250	04.13-	153	4GR-FSE
IS C (GSE2_)	250	04.09-	153	4GR-FSE
IS SportCross	200	10.02-10.05	114	1G-FE
LS (UCF30)	430	10.00-08.06	207	3UZ-FE
LS (UVF4_, USF4_)	460	05.08-	255	1UR-FE
	460	04.06-	280	1UR-FSE
	460	09.12-	285	1UR-FSE
	460 AWD	12.08-	270	1UR-FSE
	460 AWD	09.12-	272	1UR-FSE
	600h	08.07-	290	2UR-FSE
LX (URJ201)	570	11.07-	270	3UR-FE
RX (MCU15)	300 AWD	10.00-05.03	148	1MZ-FE
RX (MHU3_, GSU3_)	300	05.03-12.08	150	1MZ-FE
RX (GYL1_, GGL15)	270	12.08-	138	1AR-FE
SC (UZZ40_)	430	05.01-07.10	210	3UZ-FE

TOYOTA

Avensis (T22)	2.0 VVT-i	10.00-02.03	110	1AZ-FSE
Avensis (T25)	2.0	04.03-11.08	108	1AZ-FSE
	2.4	10.03-11.08	120	2AZ-FSE
	2.4	09.03-11.08	125	2AZ-FSE
Avensis Combi (T25)	2.0	04.03-12.09	108	1AZ-FSE
	2.4	10.03-11.08	120	2AZ-FSE
	2.4	09.03-11.08	125	2AZ-FSE
Avensis Liftback (T22)	2.0 VVT-i	10.00-02.03	110	1AZ-FSE
Avensis Sedan (T25)	2.0	04.03-11.08	108	1AZ-FSE
	2.4	10.03-11.08	120	2AZ-FSE
	2.4	09.03-11.08	125	2AZ-FSE
Avensis S. Wagon (T22)	2.0 VVT-i	10.00-02.03	110	1AZ-FSE
Avensis Verso	2.0 VVT-i	08.01-11.09	110	1AZ-FE
Camry	2.4 VVT-i	11.01-11.06	112	2AZ-FE
	3.0 V6	11.01-11.06	137	1MZ-FE
Camry Sedan (XV4)	2.4 VVTi	01.06-09.11	116	2AZ-FE
	2.4 VVTi Hybrid	01.06-09.11	105	2AZ-FXE
Camry Sedan (AVV5_)	2.5	09.11-	133	2AR-FE
Corolla Sedan (E15_)	1.33	01.07-	74	1NR-FE
IQ	1.33	01.09-	72	1NR-FE
Land Cruiser (J12)	4.0	01.03-	183	1GR-FE
Land Cruiser (J20)	4.6 V8	09.10-	227	1UR-FE
	4.7 V8	01.08-	212	2UZ-FE
Land Cruiser 100	4.7	01.98-	173	2UZ-FE
	4.7	02.02-	175	2UZ-FE
Land Cruiser 150	4.0 V6 Dual VVTi	01.10-	205	1GR-FE
	4.0 V6 VVT-i	01.10-	207	1GR-FE
Mark XI (GRX12_)	2.5 VVTi	03.04-09.09	158	4GR-FSE
	2.5 VVTi 4WD	05.04-09.09	158	4GR-FSE
	3.0 VVTi	05.04-09.09	183	3GR-FSE
Previa	2.4	08.00-01.06	115	2AZ-FE
RAV 4 II	2.0 VVTi 4WD	06.00-11.05	110	1AZ-FE
RAV 4 III	2.0 VVT-i 4WD	03.06-	112	1AZ-FE
Urban Cruiser	1.33	04.10-	73	1NR-FE
	1.33	04.09-	74	1NR-FE
Verso S (_P12_)	1.33	11.10-	70	1NR-FE
	1.33	11.10-	73	1NR-FE
Yaris (_P13_)	1.3	09.11-	70	1NR-FE
	1.3	09.11-	73	1NR-FKE/1NR-FE

CP042

pencil coil (CL520, CL555, CL576)

OEM-No.

 TOYOTA for coil 91919-02237
 for coil 91919-02239
 for coil 91919-02240
 for coil 91919-02243


resistance: - kΩ

length: 40 mm

CITROEN

C1 (PM_, PN_)	1.0	06.05-	50	1KR-FE
---------------	-----	--------	----	--------

< CP042
DAIHATSU

Cuore VIII	1.0	04.07-	51	1KR-FE
------------	-----	--------	----	--------

PEUGEOT

107	1.0	06.05-	50	1KR (384 F)
-----	-----	--------	----	-------------

SUBARU

Justy IV	1.0	01.07-	51	1KR-FE
----------	-----	--------	----	--------

TOYOTA

Auris	1.4 VVTi	03.07-	71	4ZZ-FE
Avensis (T22)	1.6 VVT-i	10.00-02.03	81	3ZZ-FE
	1.8 VVT-i	10.00-02.03	95	1ZZ-FE
Avensis (T25)	1.6 VVT-i	04.03-11.08	81	3ZZ-FE
	1.8	04.03-11.08	95	1ZZ-FE
Avensis Combi (T25)	1.6 VVT-i	04.03-11.08	81	3ZZ-FE
	1.8	04.03-11.08	95	1ZZ-FE
Avensis Liftback (T22)	1.6 VVT-i	10.00-02.03	81	3ZZ-FE
	1.8 VVT-i	10.00-02.03	95	1ZZ-FE
Avensis Sedan (T25)	1.6 VVT-i	04.03-11.08	81	3ZZ-FE
	1.8	04.03-11.08	95	1ZZ-FE
Avensis S. Wagon (T22)	1.6 VVT-i	10.00-02.03	81	3ZZ-FE
	1.8 VVT-i	10.00-02.03	95	1ZZ-FE
Aygo (WNB1, KGB1)	1.0	07.05-	50	1KR-FE
Celica (ZZT23_)	1.8 16V VVT-i	08.99-07.05	105	1ZZ-FE
Corolla (E11)	1.6 16V	02.00-11.01	81	3ZZ-FE
Corolla (E12)	1.4 VVT-i	01.02-12.06	71	4ZZ-FE
	1.6 VVT-i	01.02-12.06	81	3ZZ-FE
Corolla Combi (E12)	1.4 VVT-i	01.02-02.07	71	4ZZ-FE
	1.6 VVT-i	01.02-02.07	81	3ZZ-FE
Corolla Compact (E11)	1.6	02.00-01.02	81	3ZZ-FE
Corolla Liftback (E11)	1.6	02.00-01.02	81	3ZZ-FE
Corolla Sedan (E12)	1.4 VVT-i	08.02-07.07	71	4ZZ-FE
	1.6 VVT-i	08.02-07.07	81	3ZZ-FE
Corolla S. Wagon (E16)	1.5 Hybrid	10.14-	54	1NZ-FXE
Corolla Verso (ZDE12)	1.6 VVT-i	01.02-05.04	81	3ZZ-FE
	1.8 VVT-i	01.02-05.04	99	1ZZ-FE
	1.8 VVTi 4WD	10.01-02.04	99	1ZZ-FE
Corolla Verso (ZER)	1.6	04.04-03.09	81	3ZZ-FE
	1.8	04.04-03.09	95	1ZZ-FE
Corolla Wagon (E11)	1.6 16V	02.00-10.01	81	3ZZ-FE
Hiace IV Bus (LH1_)	2.7	09.01-11.01	105	3RZ-FE
	2.7	11.01-08.06	106	3RZ-FE
	2.7 4WD	09.01-08.06	105	3RZ-FE
Hiace IV Van	2.7	09.01-08.06	105	3RZ-FE
	2.7 4WD	09.01-	106	3RZ-FE
IQ	1.0	01.09-	50	1KR-FE
Land Cruiser	2.7	09.02-08.04	112	3RZ-FE
MR 2 III (ZZW3_)	1.8 16V VVT-i	10.99-06.07	103	1ZZ-FE
Prius Liftback	1.5	08.03-03.09	57	1NZ-FXE
Prius Sedan	1.5 Hybrid	05.00-01.04	53	1NZ-FXE
RAV 4 II	1.8 VVTi	08.00-11.05	92	1ZZ-FE
Yaris (_P1_)	1.0 16V	03.03-09.05	48	1SZ-FE
	1.0 16V	04.99-09.05	50	1SZ-FE
	1.3	04.02-09.05	64	2SZ-FE
	1.3 16V	11.99-09.05	63	2NZ-FE
	1.5 TS	01.03-09.05	77	1NZ-FE
	1.5 VVT-i TS	04.01-09.05	78	1NZ-FE
	1.5 VVT-i TS	03.03-07.05	110	1NZ-FE
Yaris (_P9_)	1.0 VVT-i	08.05-	51	1KR-FE
	1.3 VVT-i	08.05-	64	2NZ-FE/2SZ-FE
	1.33 VVT-i	07.10-	73	1NR-FE
	1.33 VVT-i	03.09-	74	1NR-FE
Yaris Verso (_P2_)	1.3	11.02-09.05	62	2NZ-FE
	1.3	08.99-10.02	63	2NZ-FE
	1.5	05.03-09.05	77	1NZ-FE
	1.5	03.00-09.05	78	1NZ-FE
	1.5 4WD	03.00-09.05	78	1NZ-FE

CP043

CP043

pencil coil (CL581)

OEM-No.

TOYOTA for coil 91919-02252
for coil 91919-02258



resistance: - kΩ
length: 55 mm

TOYOTA

Auris (_E15_)	1.6	05.09-	97	1ZR-FAE
	1.6 VVTi	03.07-	91	1ZR-FE
	1.8	02.09-	108	2ZR-FAE
Avensis Sedan (ZRT27)	1.6	11.08-	97	1ZR-FAE
	1.8	11.08-	108	2ZR-FAE
	2.0	11.08-	112	3ZR-FAE/3ZR-FE
Avensis S. Wagon (T27)	1.6	02.09-	97	1ZR-FAE
	1.8	02.09-	108	2ZR-FAE
	2.0	02.09-	112	3ZR-FAE/3ZR-FE
Corolla Sedan (E18)	1.6 BiFuel	06.13-	90	1ZR-FE
RAV 4 III	2.0	12.08-	116	3ZR-FAE
	2.0 4WD	12.08-	116	3ZR-FAE
Verso (_AUR2_)	1.6	04.09-	97	1ZR-FAE
	1.8	04.09-	108	2ZR-FAE
Yaris (_ P9_)	1.8 VVTi	01.07-	98	2ZR-FE

CP044

pencil coil (CL920)

OEM-No.

TOYOTA for coil 91919-A2004



resistance: - kΩ
length: 59 mm

LEXUS

RX (_U3_)	350 AWD	02.06-12.08	203	2GR-FE
RX (GYL1_ , GGL15)	350 AWD	12.08-	204	2GR-FE
	450h	12.08-	183	2GR-FXE
	450h AWD	12.08-	183	2GR-FXE

CP045

pencil coil (CL572)

OEM-No.

MAZDA for coil FP85-18-100C
KJ01-18-T08



resistance: - kΩ
length: 117 mm

MAZDA

323 F VI (BJ)	1.9 16V	09.98-01.01	84	FP /FP55
	2.0	01.01-05.04	96	FS7G/FS7E
323 S VI (BJ)	1.9 16V	09.98-05.04	84	FP /FP55
	2.0	01.01-05.04	96	FS7G/FS7E
Premacy (CP)	1.9	07.99-03.05	74	FP
	1.9	07.99-03.05	84	FP
	2.0	11.01-03.05	96	FS7G/FS7E

CP046

pencil coil (CL594)

OEM-No.

MAZDA for coil ZZY1-18-100



resistance: - kΩ
length: 94 mm

MAZDA

323 F VI (BJ)	1.5 16V	09.98-01.01	65	ZL06/ZL05
	1.6	01.01-05.04	70	ZM
	1.6	01.01-05.04	72	ZM

COP boots



< CP046

MAZDA

323 S VI (BJ)	1.5 16V	09.98-01.01	65	ZL06/ZL05
	1.6	01.01-05.04	70	ZM
	1.6	01.01-05.04	72	ZM

CP047

pencil coil (CL412, CL599)

OEM-No.

MAZDA for coil L3G2-18-100A



resistance: - kΩ
length: 102 mm

FORD

Galaxy (WA6)	2.3	07.07-	118	SEWA
Mondeo IV (BA7)	2.3	07.07-09.14	118	SEBA
Mondeo IV Sedan	2.3	07.07-09.14	118	SEBA
Mondeo IV Turnier	2.3	07.07-09.14	118	SEBA
S-Max (WA6)	2.3	07.07-	118	SEWA

MAZDA

3 (BK)	2.0	03.06-06.09	110	LF17
	2.3 MPS Turbo	12.06-06.09	191	L3-VDT/L3N9
	2.0 MZR	06.09-	110	LF17/LF-DE
3 (BL)	2.0 MZR DISI	06.09-	111	LF5W/LF5H
	3 Sedan (BK)	2.0	03.06-	110
3 Sedan (BL)	2.0 MZR	06.09-	110	LF17/LF-DE
	2.0 MZR DISI	06.09-	111	LF5W/LF5H
6 (GH)	2.0 MZR	08.07-	108	LF17
	2.0 MZR	01.10-	114	LF-DE
	2.5 MZR	08.07-	125	L5-VE
6 CC (GH)	2.0 MZR	08.07-	108	LF17
	2.0 MZR	01.10-	114	LF-DE
	2.5 MZR	08.07-	125	L5-VE
6 Combi (GH)	2.0 MZR	02.08-	108	LF17
	2.0 MZR	01.10-	114	LF-DE
	2.5 MZR	02.08-	125	L5-VE
6 Station Wagon (GY)	2.0	03.05-08.07	108	LF7
CX-7 (ER)	2.3 MZR DISI Turbo	11.06-	175	L3Y7
	2.3 MZR DISI Turbo	10.07-	190	L3-VDT
	2.3 MZR DISI Turbo	09.09-	191	L3-VDT
MX-5 III (NC)	2.0	09.08-	118	LF62/LF-DE

CP048

pencil coil (CL405)

OEM-No.

FORD for coil 4MSZ-12029-BC
MAZDA for coil LF16-18-100B



resistance: - kΩ
length: 100 mm

FORD

C-Max (DM2)	1.8	02.07-09.10	92	QQDA/QQDB
	1.8 Flexifuel	02.07-09.10	92	Q7DA
	2.0	02.07-09.10	107	AODA/AODB/SYDA
	2.0 CNG	04.09-09.10	107	SYDA
	2.0 LPG	06.08-09.10	107	SYDA
Focus C-Max	1.8	10.03-03.07	88	CSDB/CSDA
	1.8	04.04-03.07	92	QQDA/QQDB/Q7DA
	1.8 Flexifuel	01.06-03.07	92	Q7DA
Focus II (DA_)	2.0	03.04-03.07	107	AODA/AODB/SYDA
	1.8	03.06-09.12	92	QQDB
	1.8 Flexifuel	01.06-09.12	92	Q7DA
Focus II Cabriolet	2.0	11.04-01.08	107	AODA/AODB
	2.0 CNG	04.09-07.11	107	SYDA
	2.0 LPG	06.08-07.11	107	SYDA
Focus II Combi	2.0	10.06-07.11	107	AODA/AODB
Focus II Combi	1.8	03.06-09.12	92	QQDB/Q7DA

< CP048**FORD**

Focus II Combi	1.8 Flexifuel	01.06-09.12	92	Q7DA
	2.0	11.04-01.08	107	AODA/AODB
	2.0 LPG	06.08-07.11	107	SYDA
Focus II Sedan	1.8	03.06-01.08	92	QQDB
	1.8 Flexifuel	06.06-07.11	92	Q7DA
	2.0	04.05-07.11	107	AODA/AODB
Galaxy (WA6)	2.0	05.06-06.15	107	AOWB/AOWA
	2.0 EcoBoost	05.11-06.15	149	TNWA
Mondeo IV (BA7)	2.0	03.07-09.14	107	AOBC/AOBA/TBBA
	2.0 Flexifuel	03.09-09.14	107	TBBB/TBBA
	2.0 LPG	07.09-09.14	107	TBBA
	2.0 SCTi	05.11-09.14	149	TNBA
Mondeo IV Sedan	2.0	03.07-09.14	107	AOBC/AOBA/TBBA
	2.0 Flexifuel	03.09-09.14	107	TBBB/TBBA
	2.0 LPG	07.09-09.14	107	TBBA
Mondeo IV Turnier	2.0	03.07-09.14	107	AOBC/AOBA/TBBA
	2.0 Flexifuel	03.09-09.14	107	TBBB/TBBA
	2.0 LPG	07.09-09.14	107	TBBA
	2.0 SCTi	03.10-09.14	149	TNBA
S-Max (WA6)	2.0	05.06-	107	AOWB/AOWA
	2.0 EcoBoost	05.11-	149	TNWA
	2.0 Flexifuel	05.06-	107	TBWA/TBWB
Transit Flatbed	2.3 16V [RWD]	04.06-08.14	107	GZFA/GZFC/GZFB
	2.3 16V CNG [RWD]	04.06-08.14	100	GZFA
	2.3 16V LPG [RWD]	04.06-08.14	107	GZFA
Transit Van	2.3 16V [RWD]	04.06-08.14	107	GZFA/GZFC/GZFB
	2.3 16V CNG [RWD]	04.06-08.14	100	GZFA
	2.3 16V LPG [RWD]	04.06-08.14	107	GZFA

MAZDA

3 (BK)	2.0	10.03-06.09	110	LF17
3 Sedan (BK)	2.0	02.04-	110	LF17
Tribute (EP)	2.3 AWD	04.04-05.08	110	L3-VE

VOLVO

C30	1.8	10.06-12.12	92	B 4184 S11
	1.8 FlexFuel	01.07-12.12	92	B 4184 S8
	2.0	10.06-12.12	107	B 4204 S3
	2.0 FlexFuel	01.10-12.12	107	B 4204 S4
S40 II (MS)	1.8	04.04-	92	B 4184 S11
	1.8 FlexFuel	01.06-	92	B 4184 S8
	2.0	10.06-	107	B 4204 S3
S80 II (AS)	2.0	01.08-	107	B 4204 S3
	2.0 FlexFuel	01.08-	107	B 4204 S4
V50 (MW)	1.8	04.04-	92	B 4184 S11
	1.8 FlexFuel	01.05-	92	B 4184 S8
	2.0	10.06-	107	B 4204 S3
	2.0 FlexFuel	01.10-	107	B 4204 S4
V70 III (BW)	2.0	10.07-	107	B 4204 S3
	2.0 FlexiFuel	01.08-	107	B 4204 S4

CP049

pencil coil (CL511)

OEM-No.

NISSAN for coil 22448-6N011
for coil 22448-6N015resistance: 2 kΩ
length: 136 mm**NISSAN**

Almera II (N16)	1.5	07.00-	66	QG15DE
	1.5	10.02-	72	QG15DE
	1.8	07.00-	84	QG18DE
	1.8	10.02-	85	QG18DE
Almera II Hatchback	1.5	03.00-	66	QG15DE
	1.5	10.02-	72	QG15DE
	1.8	01.00-	84	QG18DE
	1.8	10.02-	85	QG18DE
Almera Tino (V10)	1.8	08.00-	84	QG18DE
	1.8	12.02-	85	QG18DE

COP boots**< CP049****NISSAN**

Primera (P11)	1.6 16V	09.00-12.01	78	QG16DE
	1.8 16V	08.99-12.01	84	QG18DE
Primera (P12)	1.6	03.02-	78	QG16DE
	1.6	01.02-	80	QG16DE
Primera Combi (WP12)	1.6 Visia	01.02-	80	QG16DE
Primera Hatch. (P11)	1.6 16V	09.00-07.02	78	QG16DE
	1.8 16V	08.99-07.02	84	QG18DE
Primera Hatch. (P12)	1.6	07.02-	78	QG16DE
	1.6	07.02-	80	QG16DE
	1.8	07.02-	85	QG18DE
Primera Traveller	1.8 16V	08.99-12.01	84	QG18DE

CP050

pencil coil (CL153, CL554)

OEM-No.

NISSAN for coil 22448-ED800

resistance: - kΩ
length: 132 mm**NISSAN**

Cube (Z12)	1.6 16V	03.10-	81	HR16DE
Micra C+C (K12)	1.6 160 SR	08.05-	81	HR16DE
Micra III (K12)	160 SR 1.6	05.05-06.10	81	HR16DE
Note (E11)	1.6	03.06-	81	HR16DE
Qashqai / Qashqai +2	1.6	02.07-	84	HR16DE
	1.6	09.07-	81	HR16DE
Tiida CC (C11X)	1.8	09.07-	93	MR18DE
	1.6	09.07-	81	HR16DE
Tiida Sedan	1.8	09.07-	93	MR18DE
	2.0	06.08-	103	MR20DE
X-Trail (T31)	2.0	06.07-	104	MR20DE
	2.0 FWD	06.08-	103	MR20DE
	2.0 FWD	03.07-	104	MR20DE

RENAULT

Fluence (L30_)	2.0 16V	02.10-	103	M4R 751/M4R 714
Grand Scénic III	2.0 16V	02.09-	103	M4R 711
Laguna III (BT0/1)	2.0 16V	10.07-	103	M4R 704
	2.0 16V Hi-Flex	10.07-	103	M4R 726
Laguna III Grandtour	2.0 16V	10.07-	103	M4R 704
	2.0 16V Hi-Flex	10.07-	103	M4R 704/M4R 726
Latitude (L70_)	2.0 16V	02.11-	103	M4R 746
Megane CC (EZ0/1_)	2.0 CVT	06.10-	103	M4R 713/M4R 711
Megane III CC	2.0 CVT	02.09-	103	M4R 713/M4R 711
Megane III Coupe	2.0 CVT	05.09-	103	M4R 711
Megane III Grandtour	2.0 CVT	05.09-	103	M4R 711/M4R F713
Scénic III	2.0 16V	02.09-	103	M4R 711/M4R 710

CP051

coil is not in offer

OEM-No.

NISSAN

resistance: 2 kΩ
length: 130 mm**NISSAN**

Qashqai / Qashqai +2	2.0	02.07-	104	MR20DE
	2.0 Allrad	02.07-	104	MR20DE

CP052

CP052

only for some versions of pencil coils

OEM-No.

NISSAN for coil 2244800QAA
OPEL for coil 4413233
RENAULT for coil 7700875000



resistance: - kΩ

length: 70 mm

DACIA, NISSAN, OPEL (VAUXHALL), RENAULT

- see CL100 in summary (CP052 is not for CL100!)

CP053

pencil coil (CL590)

OEM-No.

HYUNDAI for coil 27301-3E100
KIA for coil 27301-3E100



resistance: - kΩ

length: 52 mm

HYUNDAI

Santa Fé II (CM)	2.7	01.07-	125	G6BA
	2.7 4x4	01.07-	125	G6BA
	2.7 V6 GLS	01.07-	139	G6EA
	2.7 V6 GLS 4x4	01.07-	139	G6EA

KIA

Grand / Carnival III	2.7 V6	06.06-	139	G6EA
Magentis (MG)	2.7	11.05-	138	G6EA

CP054

pencil coil (CL595)

OEM-No.

HYUNDAI for coil 27301-26640
KIA for coil 27301-26640



resistance: - kΩ

length: 46 mm

HYUNDAI

Accent II (LC)	1.6	12.02-11.05	77	G4ED-G
Accent II Sedan	1.6	12.02-11.05	77	G4ED-G
Accent III (MC)	1.4 GL	11.05-11.10	71	G4EE
	1.6 GLS	11.05-11.10	82	G4ED
Accent III Sedan	1.4 GL	11.05-11.10	71	G4EE
	1.6 GLS	11.05-11.10	82	G4ED

KIA

Rio II (JB)	1.4 16V	03.05-	71	G4EE
	1.6 CVVT	03.05-	82	G4ED
Rio II Sedan	1.4 16V	03.05-	71	G4EE
	1.6 16V	03.05-	82	G4ED

CP055

pencil coil (CL908)

OEM-No.

HYUNDAI for coil 27301-3E400



resistance: - kΩ

length: 54 mm

HYUNDAI

Grandeur (TG)	2.7	05.06-	141	G6BA
i40 (VF)	2.0 GDI	03.12-	131	G4NC
Santa Fé II (CM)	2.7	01.07-	125	G6BA
	2.7 4x4	01.07-	125	G6BA
	2.7 V6 GLS	01.07-	139	G6EA
	2.7 V6 GLS 4x4	01.07-	139	G6EA
Sonata VI (YF)	2.0 i	01.11-	121	G4KD

COP boots



< CP055

KIA

Carens IV 2.0 03.13- 130 G4NC

CP056

pencil coil (CL561)

OEM-No.

SUZUKI for coil 33400-65G00
for coil 33400-65G01



resistance: - kΩ

length: 117 mm

SUBARU

Justy II (JMA, MS)	1.3 4x4	04.01-11.03	63	G13BB
Justy III (G3X)	1.5	09.03-	73	M15A

SUZUKI

Alto (HA24)	1.1	09.04-12.08	46	F10DN/F10D
Baleno (EG)	1.3	02.99-05.02	52	G13BA
	1.3 i 16V	02.99-05.02	63	G13BB
	1.6 i 16V	02.99-05.02	72	G16B
	1.6 i 16V 4x4	02.99-05.02	72	G16B
Baleno CC	1.3	09.96-05.02	52	G13BA
	1.3 i 16V	02.99-05.02	63	G13BB
	1.6 i 16V	02.99-05.02	72	G16B
	1.6 i 16V 4x4	02.99-05.02	72	G16B
Baleno Combi	1.3 16V	02.99-05.02	63	G13BB
	1.6 i 16V	02.99-05.02	72	G16B
	1.6 i 16V	02.99-05.02	73	G16B
	1.6 i 16V 4x4	02.99-05.02	72	G16B
	1.6 i 16V 4x4	02.99-05.02	73	G16B
Carry Van (FD)	1.3	03.99-	58	G13BB
	1.3 16V	03.00-	58	G13BB
Grand Vitara II (JT)	1.6 Allrad	04.05-	78	M16A
Ignis (FH)	1.3	10.00-09.03	61	M13A
	1.3 4WD	10.00-09.03	61	M13A
Ignis II	1.3	09.03-	69	M13A
	1.3 4x4	09.03-	69	M13A
	1.5	09.03-	73	M15A
	1.5 4x4	09.03-	73	M15A
	1.5 Sport	12.03-	80	M15A
Jimny (FJ)	1.3 16V	02.01-	60	M13A
	1.3 16V 4WD	02.01-	60	M13A
	1.3 16V 4x4	08.05-	63	M13A
	1.3 4WD	05.14-	62	M13A
Liana (ER)	1.3	03.02-	66	M13A
	1.6	03.02-	76	M16A
	1.6	01.05-	79	M16A
	1.6 4WD	03.02-	76	M16A
	1.6 4WD	04.02-	78	M16A
	1.6 4WD	01.05-12.07	79	M16A
	1.6 i	04.02-	78	M16A
Liana Combi	1.3	07.01-12.07	66	M13A
	1.6	07.01-12.07	76	M16A
	1.6 4WD	07.01-12.07	76	M16A
	1.6 4WD	04.02-12.07	78	M16A
	1.6 4WD	01.05-12.07	79	M16A
	1.6 i	04.02-12.07	78	M16A
Swift Cabriolet	1.3 i	09.91-10.96	50	G13BA
Swift III (MZ, EZ)	1.3	02.05-	68	M13A
	1.3 4x4	01.06-	66	M13A
	1.3 4x4	02.05-	68	M13A
	1.5	02.05-	75	M15A
	1.6	05.06-	92	M16A
SX4 (EY, GY)	1.5	06.06-	73	M15A
	1.5 VVT	07.10-	82	M15A
	1.5 VVT 4x4	07.10-	82	M15A
	1.6 VVT	06.06-	79	M16A
	1.6 VVT	07.09-	88	M16A
	1.6 VVT 4x4	06.06-	79	M16A
	1.6 VVT 4x4	07.09-	82	M16A

< CP056

SUZUKI

SX4 (EY, GY)	1.6 VVT 4x4	07.09-	88	M16A
SX4 Sedan (GY)	1.6	10.07-	79	M16A
	1.6 AWD	10.07-	88	M16A
Wagon R+ (MM)	1.3	05.00-12.04	56	G13BB
	1.3	09.03-	69	M13A
	1.3 4WD	10.01-	56	G13BB
	1.3 4WD	09.03-	69	M13A

CP057

pencil coil (CL917)

OEM-No.

SUBARU for coil 22433-AA451
for coil 22433-AA550



resistance: - kΩ
length: 77 mm



SUBARU

Impreza CC	2.0 R AWD	01.08-	110	EJ204
Impreza Sedan (GD)	2.0 WRX STi AWD	11.01-	195	EJ207
	2.0 WRX Turbo	10.02-	160	EJ205
	2.0 WRX Turbo	12.02-	165	EJ205
Impreza S. Wagon	2.0 Turbo AWD	10.02-	160	EJ205
	2.0 WRX Turbo	12.02-	165	EJ205

CP058

rail coil (CL224)

OEM-No.

GM 12576464
for coil 12580538
for coil 12587426



resistance: - kΩ
length: 97 mm



FIAT

Croma (194)	2.2 16V	06.05-	108	194 A1.000
-------------	---------	--------	-----	------------

OPEL (VAUXHALL)

Astra G Cabriolet	2.2 16V	03.01-10.05	108	Z 22 SE
Astra G Caravan	2.2 16V	03.01-07.04	108	Z 22 SE
Astra G CC	2.2 16V	06.00-01.05	108	Z 22 SE
Astra G Coupe	2.2 16V	09.00-05.05	108	Z 22 SE
Astra G Sedan	2.2 16V	03.01-01.05	108	Z 22 SE
Speedster	2.2	09.00-	108	Z 22 SE
Vectra B	2.2 i 16V	09.00-04.02	108	Z 22 SE
Vectra B Caravan	2.2 i 16V	09.00-07.03	108	Z 22 SE
Vectra B CC	2.2 i 16V	09.00-07.03	108	Z 22 SE
Vectra C	2.2 16V	04.02-	108	Z 22 SE
Vectra C GTS	2.2 16V	08.02-	108	Z 22 SE
Zafira A (F75_)	2.2 16V	09.00-06.05	108	Z 22 SE

CP059

rail coil (CL229, CL230, CL232)

OEM-No.

GM for coil 90584336
for coil 90584337



resistance: - kΩ
length: 75 mm



OPEL (VAUXHALL)

Omega B	2.6 V6	09.00-07.03	132	Y 26 SE
	3.2 V6	02.01-07.03	160	Y 32 SE
Omega B Caravan	2.6 V6	09.00-07.03	132	Y 26 SE
	3.2 V6	02.01-07.03	160	Y 32 SE
Signum	3.2 V6	05.03-	155	Z 32 SE
Vectra B	2.6 i V6	09.00-04.02	125	Y 26 SE
Vectra B Caravan	2.6 i V6	09.00-07.03	125	Y 26 SE
Vectra B CC	2.6 i V6	09.00-07.03	125	Y 26 SE
Vectra C	3.2 V6	08.02-	155	Z 32 SE
Vectra C Caravan	3.2 V6	10.03-	155	Z 32 SE
Vectra C GTS	3.2 V6	08.02-	155	Z 32 SE

COP boots

CP060

rail coil (CL203)

OEM-No.

GM for coil 9119567
for coil 90536194



resistance: - kΩ
length: 52 mm



OPEL (VAUXHALL)

Astra G Cabriolet	1.8 16V	03.01-10.05	92	Z18 XE
Astra G Caravan	1.8 16V	02.98-09.00	85	X18 XE1
	1.8 16V	09.00-07.04	92	Z18 XE
Astra G CC	1.8 16V	02.98-09.00	85	X18 XE1
	1.8 16V	09.00-01.05	92	Z18 XE
Astra G Coupe	1.8 16V	03.00-10.00	85	X18 XE1
	1.8 16V	09.00-05.05	92	Z18 XE
Astra G Sedan	1.8 16V	09.98-09.00	85	X18 XE1
	1.8 16V	06.00-01.05	92	Z18 XE
Astra H	1.8	03.04-	92	Z18 XE
Astra H Caravan	1.8	08.04-	92	Z18 XE
Astra H GTC	1.8	03.05-	92	Z18 XE
Astra H TwinTop	1.8	09.05-	92	Z18 XE
Corsa C	1.8	09.00-12.09	92	Z18 XE
Meriva	1.8	05.03-05.10	92	Z18 XE
Signum	1.8	05.03-	90	Z18 XE
Tigra TwinTop	1.8	06.04-	92	Z18 XE
Vectra B	1.8 i 16V	10.95-09.00	85	X18 XE1
	1.8 i 16V	09.00-04.02	92	Z18 XE
Vectra B Caravan	1.8 i 16V	11.96-09.00	85	X18 XE1
	1.8 i 16V	09.00-07.03	92	Z18 XE
Vectra B CC	1.8 i 16V	10.95-09.00	85	X18 XE1
	1.8 i 16V	09.00-07.03	92	Z18 XE
Vectra C	1.8	04.02-	81	Z18 XEL
	1.8 16V	04.02-	90	Z18 XE
Vectra C Caravan	1.8	10.03-	90	Z18 XE
Vectra C GTS	1.8 16V	08.02-	90	Z18 XE
Zafira A (F75_)	1.8 16V	04.99-09.00	85	X18 XE1
	1.8 16V	09.00-06.05	92	Z18 XE

SAAB

9-3 (YS3F)	1.8 i	01.04-	90	Z18 XE
9-3 Combi (YS3F)	1.8 i	03.05-	90	Z18 XE

CP061

pencil coil (CL239)

OEM-No.

GM for coil 12629037



resistance: - kΩ
length: 55 mm



OPEL (VAUXHALL)

Signum	2.8 V6 Turbo	09.05-	169	Z 28 NEL
	2.8 V6 Turbo	01.06-	184	Z 28 NET
Vectra C	2.8 V6 Turbo	08.05-	169	Z 28 NEL
	2.8 V6 Turbo	08.06-	184	Z 28 NET
	2.8 V6 Turbo	08.05-	188	Z 28 NET
	2.8 V6 Turbo	01.07-	206	Z 28 NET
Vectra C Caravan	2.8 V6 Turbo	08.05-	169	Z 28 NEL
	2.8 V6 Turbo	01.07-	184	Z 28 NET
	2.8 V6 Turbo	08.05-	188	Z 28 NET
	2.8 V6 Turbo	01.07-	206	Z 28 NET
Vectra C GTS	2.8 V6 Turbo	08.05-	169	Z 28 NEL
	2.8 V6 Turbo	08.06-	184	Z 28 NET
	2.8 V6 Turbo	08.05-	188	Z 28 NET
	2.8 V6 Turbo	08.06-	206	Z 28 NET

SAAB

9-3 (YS3F)	2.8 Turbo V6	03.05-	184	LP9
	2.8 Turbo V6	12.07-	188	B284L
	2.8 Turbo V6 XWD	05.08-	206	B284R



CP061

< CP061

SAAB

9-3 Cabriolet	2.8 Turbo V6	02.06-	184	LP9
	2.8 Turbo V6	12.07-	188	B284L
	2.8 Turbo V6	02.09-	203	B284R
	2.8 Turbo V6	02.09-	206	B284R
9-3 Combi	2.8 Turbo V6	03.05-	184	LP9
	2.8 Turbo V6	12.07-	188	B284L
	2.8 Turbo V6 XWD	05.08-	206	B284R

CP062

rail coil (CL221)

OEM-No.

GM for coil 10458316

OPEL for coil 1208021



resistance: - kΩ

length: 56 mm

ALFA ROMEO

159 (939)	1.8 MPI	03.07-11.11	103	939 A4.000
	1.8 TBi	05.09-11.11	147	939 B1.000
159 Sportwagon	1.8 MPI	03.07-11.11	103	939 A4.000
	1.8 TBi	05.09-11.11	147	939 B1.000

FIAT

Croma (194)	1.8 16V	12.05-	103	939 A4.000
Stilo (192)	1.6 16V	05.05-11.06	77	192 B3.000

OPEL (VAUXHALL)

Astra G Cabriolet	1.6	01.03-10.05	76	Z16 XEP
Astra G Caravan	1.6	12.02-07.09	76	Z16 XEP
Astra G CC	1.6	12.02-12.09	76	Z16 XEP
Astra G Coupe	1.6 16V	03.00-05.05	76	Z16 XEP
Astra G Sedan	1.6	12.02-12.09	76	Z16 XEP
Astra H (L48)	1.6	03.04-	77	Z16 XE1/Z16 XEP
	1.6	12.06-	85	A 16 XER/Z16 XER
	1.6 Turbo	02.07-	132	Z16 LET
	1.8	01.06-	103	Z18 XER/A 18 XER
Astra H Caravan	1.6	08.04-	77	Z16 XE1/Z16 XEP
	1.6	12.06-	85	A 16 XER/Z16 XER
	1.6 Turbo	02.07-	132	Z16 LET
	1.8	08.05-	103	Z18 XER/A 18 XER
Astra H GTC	1.6	03.05-	77	Z16 XE1/Z16 XEP
	1.6	12.06-	85	Z16 XER
	1.6 Turbo	02.07-	132	Z16 LET
	1.8	01.06-	103	Z18 XER
Astra H TwinTop	1.6	09.05-	77	Z16 XE1/Z16 XEP
	1.6	12.06-	85	Z16 XER
	1.6 Turbo	02.07-	132	Z16 LET
	1.8	09.05-	103	Z18 XER/A 18 XER
Corsa D	1.6 Turbo	02.07-	110	Z16 LEL/A 16 LEL
	1.6 Turbo	02.07-	141	B16 LER/A16 LER
Insignia	1.6 Turbo	07.08-	132	A 16 LET
Insignia Caravan	1.6 Turbo	01.09-	132	A 16 LET
Insignia Sedan	1.6 Turbo	01.09-	132	A 16 LET
Meriva	1.6	01.06-05.10	77	Z16 XEP
	1.6 Turbo	09.05-05.10	132	Z16 LET
Signum	1.8	09.05-	103	Z18 XER
Vectra C	1.6	01.06-	77	Z16 XEP
	1.8	01.06-	103	Z18 XER
Vectra C Caravan	1.6	01.06-	77	Z16 XEP
	1.8	01.06-	103	Z18 XER
Vectra C GTS	1.6	01.06-	77	Z16 XEP
	1.8	01.06-	103	Z18 XER
	1.6	07.05-	77	Z16 XE1/Z16 XEP
	1.6	01.08-	85	A 16 XER/Z16 XER
Zafira B (A05)	1.6 CNG Turbo	02.09-	110	A 16 XNT/Z16 XNT
	1.8	07.05-	103	Z18 XER/A 18 XER
	1.8	07.05-	103	Z18 XER/A 18 XER

COP boots



CP063

rail coil (CL213, CL214, CL215, CL217)

OEM-No.

OPEL for coil 1208012

for coil 1208020

for coil 1208028

for coil 1208306



resistance: - kΩ

length: 75 mm

OPEL (VAUXHALL)

Agila (A) (H00)	1.0	08.03-12.07	44	Z10 XEP
	1.0 12V	09.00-12.07	43	Z10 XE
	1.2 16V	09.00-12.07	55	Z12 XE
	1.2 16V Twinport	07.04-12.07	59	Z12 XEP
Astra G Caravan	1.2 16V	02.98-09.00	48	X12 XE
	1.2 16V	09.00-07.04	55	Z12 XE
Astra G CC	1.4	09.07-12.09	66	Z14 XEP
	1.2 16V	02.98-09.00	48	X12 XE
Astra G Sedan	1.2 16V	09.00-01.05	55	Z12 XE
	1.4	09.07-12.09	66	Z14 XEP
	1.2 16V	09.98-09.00	48	X12 XE
Astra H (L48)	1.2 16V	09.00-01.05	55	Z12 XE
	1.4	09.07-12.09	66	Z14 XEP
Astra H Caravan	1.4	08.04-	55	Z14 XEL
	1.4	08.04-	66	Z14 XEP
Astra H GTC	1.4 LPG	08.09-	66	Z14 XEP
	1.2	08.05-	59	Z12 XEP
Combo Tour	1.4	03.05-	66	Z14 XEP
	1.4	10.04-	66	Z14 XEP
Combo Van/Combi	1.4 16V	08.05-	66	Z14 XEP
Corsa B	1.0 i 12V	11.96-09.00	40	X10 XE
	1.2 i 16V	03.98-09.00	48	X12 XE
Corsa C	1.0	09.00-06.03	43	Z10 XE
	1.0	06.03-12.09	44	Z10 XEP
	1.2	09.00-12.09	55	Z12 XE
	1.2 Twinport	07.04-12.09	59	Z12 XEP
Corsa C Van	1.4 Twinport	06.03-12.09	66	Z14 XEP
	1.2	07.05-	59	Z12 XEP
	1.2 16V	09.00-	55	Z12 XE
Corsa D	1.4	08.03-	66	Z14 XEP
	1.0	07.06-	44	Z10 XEP
	1.2	07.06-	59	Z12 XEP
Corsa D Van	1.2 LPG	09.09-	59	Z12 XEP
	1.4	07.06-	66	Z14 XEP
	1.4 LPG	07.06-	66	Z14 XEP
	1.2	06.10-	51	A 12 XEL
Meriva	1.2	07.09-	59	Z12 XEP
	1.2	06.10-	63	A 12 XER
	1.4 16V Twinport	07.04-05.10	66	Z14 XEP
Tigra TwinTop	1.4 16V Twinp. LPG	07.04-05.10	66	Z14 XEP

CP064

pencil coil (CL718)

OEM-No.

CHRYSLER for coil 56029129AA

for coil 56029129AB



resistance: - kΩ

length: 110 mm

CHRYSLER

300 C (LX)	5.7	01.06-12.08	250	EZH/EZD/EZB
	6.1 SRT8	06.05-11.12	317	ESF
300 C Touring	5.7	01.06-12.10	250	EZH/EZD/EZB
	5.7 AWD	04.05-12.10	250	EZH/EZB
	6.1 SRT8	06.05-12.10	317	ESF

JEEP

Commander (XK)	5.7 V8 4x4	09.05-12.10	240	EZB
----------------	------------	-------------	-----	-----

< CP064

JEEP

Grand Cherokee III	5.7 V8 4x4	01.06-12.10	240	EZB
	6.1 SRT8 4x4	03.06-12.10	313	ESF

CP065

pencil coil (CL721)



resistance: - kΩ
length: 47 mm

OEM-No.

CHRYSLER for coil 4606869AA
for coil 4606869AB



CHRYSLER

300 C (LX)	2.7	01.07-11.12	130	EES
	2.7	01.06-11.12	142	2.7FX/EER
	3.5	01.06-11.12	183	3.5CSP
300 C Touring	2.7	01.07-12.10	130	EES
	2.7	01.06-12.10	142	2.7FX/EER
	3.5	01.06-12.10	183	3.5CSP/EEG
	3.5 AWD	01.06-12.10	183	3.5CSP
Sebring Cabriolet	2.7	07.07-12.10	137	EER

FIAT

Freemont (JF_)	3.6	08.11-	206	ERB
	3.6 4x4	08.11-	206	ERB

CP066

coil is not in offer



resistance: - kΩ
length: 42 mm

OEM-No.

CHRYSLER for coil 4606824AB



CHRYSLER

Sebring (JS)	2.0 VVT	07.07-12.10	115	ECN
	2.4 VVT	07.07-12.10	125	EDG/ED3
Sebring Cabriolet	2.4 VVT	07.07-12.10	125	ED3

JEEP

Compass (MK49)	2.0	05.11-	115	ECN
	2.4	08.06-	125	ED3/ERZ
	2.4 4x4	09.06-	125	ED3/ERZ
Patriot (MK74)	2.4 4x4	01.08-	125	ED3

CP067

pencil coil (CL720, CL722)



resistance: - kΩ
length: 125 mm

OEM-No.

CHRYSLER for coil 4609088AF
for coil 4609088AH
for coil 4609095AG
for coil 4609095AI

CHRYSLER

300 C (LX)	2.7	09.04-12.05	142	2.7FX/EER
	3.5	09.04-12.05	183	3.5CSP
	2.7	09.04-12.05	142	2.7FX/EER
300 C Touring	3.5	09.04-12.05	183	3.5CSP/EEG
	3.5 AWD	09.04-12.05	183	3.5CSP
	2.7 V6 24V	11.98-08.00	149	EER
	2.7 V6 24V	08.00-09.04	150	EER
300 M (LR)	3.5 V6 24V	08.00-09.04	185	EGG
	3.5 V6 24V	07.98-08.00	187	EGG
	2.7 LX	10.97-09.03	149	EER
	3.5 LX	10.97-09.03	174	EWZ
Concorde	3.5 LX Super	10.97-09.03	186	EWZ
	2.7 V6 24V	04.01-06.07	149	EER/EES

COP boots

< CP067

CHRYSLER

Sebring Cabriolet	2.7 V6 24V	04.01-06.07	149	EES
-------------------	------------	-------------	-----	-----

CP068

rail coil (CL104)



resistance: - kΩ
length: 65 mm

OEM-No.

PSA for coil 5963.21
for coil 5970.80
for coil 96363378

CITROEN

Berlingo (B9)	1.6	04.08-	66	NFR (TU5JP4B)
	1.6	04.08-	80	NFU (TU5JP4)
Berlingo (MF)	1.6 16V	10.00-	80	NFU (TU5JP4)
	1.6	04.08-	66	NFR (TU5JP4B)
Berlingo Van (B9)	1.6	04.08-	80	NFU (TU5JP4)
	1.6 16V	10.00-	80	NFU (TU5JP4)
Berlingo Van (M_)	1.6	09.03-	80	NFU (TU5JP4)
	1.6 VTS	01.05-	90	NFS (TU5JP4S)
C3 I (FC_)	1.6 16V	02.02-	80	NFU (TU5JP4)
C3 Pluriel (HB_)	1.6	05.03-	80	NFU (TU5JP4)
C4 Coupe (LA_)	1.6 16V	11.04-07.11	80	NFU (TU5JP4)
C4 I (LC_)	1.6 16V	11.04-07.11	80	NFU (TU5JP4)
	1.6 16V Bio-Flex	09.07-07.08	80	NFU (TU5JP4)
Xsara (N1)	1.6 16V	09.00-03.05	80	NFU (TU5JP4)
Xsara Break (N2)	1.6 16V	09.00-08.05	80	NFU (TU5JP4)
Xsara Coupe (N0)	1.6 16V	09.00-03.05	80	NFU (TU5JP4)
Xsara Picasso (N68)	1.6 16V	09.05-	80	NFU (TU5JP4)

PEUGEOT

1007 (KM_)	1.6 16V	04.05-	80	NFU (TU5JP4)
206 CC (2A/C)	1.6 16V	12.00-	80	NFU (TU5JP4)
206 CC (2D)	1.6 16V	09.00-	80	NFU (TU5JP4)
206 Sedan	1.6 16V	03.07-	80	NFU (TU5JP4)
206 SW (2E/K)	1.6 16V	07.02-	80	NFU (TU5JP4)
206+ (T3E)	1.6 16V	07.10-	80	NFU (TU5JP4)
207 (WA_ WC_)	1.6 16V	02.06-	80	NFU (TU5JP4)
307 (3A/C)	1.6 16V	08.00-	80	NFU (TU5JP4)
307 Break (3E)	1.6 16V	03.02-	80	NFU (TU5JP4)
307 CC (3B)	1.6 16V	02.05-	80	NFU (TU5JP4)
307 SW (3H)	1.6 16V	03.02-	80	NFU (TU5JP4)
308 (4A_ 4C_)	1.6 Bioflex	04.08-	80	NFU (TU5JP4)
308 SW	1.6 Bioflex	03.09-	82	NFU (TU5JP4)
Partner Combispace	1.6 16V	07.01-	80	NFU (TU5JP4)
Partner Tepee	1.6	04.08-	66	NFR (TU5JP4B)
	1.6	04.08-	80	NFU (TU5JP4)
Partner Van	1.6	04.08-	66	NFR (TU5JP4B)
	1.6	04.08-	80	NFU (TU5JP4)

CP069

rail coil (CL110, CL111, CL120)



resistance: - kΩ
length: 80 mm

OEM-No.

PSA for coil 5970.74

CITROEN

Berlingo (MF)	1.4 i	06.98-	55	KFX/KFW
Berlingo Van (M_)	1.4 i	06.98-	55	KFX/KFW
C2 (JM_)	1.1	09.03-	44	HFX (TU1JP)
	1.4	09.03-	54	KFV (TU3JP)
C3 I (FC_)	1.1 i	02.02-	44	HFX
	1.4 16V	12.03-	65	KFU (ET3J4)
	1.4 i Bivalent	02.02-	54	KFV (TU3JP)
C3 II	1.1	11.09-	44	HFX (TU1JP)
	1.4	11.09-	54	KFT/KFV (TU3A)
C3 Pluriel (HB_)	1.4	05.03-	54	KFV (TU3JP)
Nemo Combi	1.4	04.09-	54	KFT/KFV (TU3A)
Nemo Van (AA_)	1.4	02.08-	54	KFV (TU3A)
Saxo (S0, S1)	1.1 X,SX	05.96-09.03	40	HDZ (TU1M)

< CP069

CITROEN

Saxo (S0, S1)	1.1 X,SX	09.00-09.03	44	HFX (TU1JP)
	1.4 VTS	02.98-06.03	55	KFX/KFW
	1.6	06.98-06.03	66	NFZ (TU5JP)
	1.6	02.01-04.04	74	NFT
	1.6 VTL,VTR	06.98-06.03	65	NFZ (TU5JP)
	1.6 VTS	09.00-09.03	72	NFT
	1.6 VTS	06.96-09.03	87	NFX (TU5JP4)
Xsara (N1)	1.4 i	04.97-03.05	55	KFX (TU3JP)
	1.6 i	04.97-09.00	65	NFZ (TU5JP)
Xsara Break (N2)	1.4 i	10.97-08.05	55	KFX (TU3JP)
	1.6 i	10.97-09.00	65	NFZ (TU5JP)
Xsara Coupe (N0)	1.4 i	03.98-03.05	55	KFX/KFW (TU3JP)

PEUGEOT

106 II (1)	1.1 i	06.00-	40	HDY (TU1M)
	1.1 i	05.96-	44	HFX (TU1JP)
	1.4 i	06.97-	55	KFX/KFW (TU3JP)
1007 (KM_)	1.4	04.05-	54	KFV (TU3JP)
206 CC (2A/C)	1.1 i	09.98-	44	HFZ/HFX (TU1JP)
	1.4 i	09.98-02.09	55	KFX/KFW (TU3JP)
	1.6 i	09.98-12.00	65	NFZ (TU5JP)
206 Sedan	1.4	03.07-	55	KFV/KFW
206 SW (2E/K)	1.1	07.02-	44	HFX (TU1JP)
	1.4	07.02-	55	KFV/KFW
	1.4 16V	10.03-	65	KFU (ET3J4)
206+ (T3E)	1.1	01.09-	44	HFX
	1.4 i	01.09-	55	KFV/KFW (TU3A)
207 (WA_, WC_)	1.4	02.06-	53	KFV (TU3A)
207 SW (WK_)	1.4	06.07-	54	KFV (TU3A)
306 (7B, N3, N5)	1.4 SL	06.94-05.01	55	KDX/KFX/KFW
	1.6	10.00-05.01	72	NFT
	1.6 SR	07.98-10.00	65	NFZ (TU5JP)
306 Break	1.4	03.97-04.02	55	KFX/KFW (TU3JP)
	1.6	07.98-10.00	65	NFZ (TU5JP)
	1.6	10.00-04.02	72	NFT
306 Cabriolet	1.6	10.00-04.02	72	NFT
306 CC	1.4	06.97-05.01	55	KDX/KFX/KFW
	1.6	10.00-05.01	72	NFT
307 (3A/C)	1.4	08.00-	55	KFW (TU3JP)
307 Break (3E)	1.4 16V	11.03-	65	KFU (ET3J4)
307 SW (3H)	1.4 16V	11.03-	65	KFU (ET3J4)
Bipper (AA_)	1.4	02.08-	54	KFV (TU3A)
Bipper Tepee	1.4	04.08-	54	KFV (TU3A)
Partner Combispace	1.4	09.00-	55	KFX/KFW
Partner Van (5)	1.4 BiFuel	04.03-	55	KFW (TU3JP)

CP070

pencil coil (CL321, CL800)

OEM-No.

FIAT for coil 46794782

LADA for coil 21120370501010



resistance: - kΩ

length: 63 mm

ALFA ROMEO

156 (932)	2.0 JTS	03.02-09.05	122	937 A1.000
156 Sportwagon	2.0 JTS	03.02-05.06	122	937 A1.000
159 (939)	1.9 JTS	09.05-11.11	118	939 A6.000
159 Sportwagon	1.9 JTS	03.06-11.11	118	939 A6.000
GT (937)	2.0 JTS	12.06-09.10	119	932 A2.000
	2.0 JTS	11.03-09.10	121	932 A2_ /937 A1_
GTV (916C_)	2.0 JTS	04.03-10.05	121	937 A1.000
Spider (916S_)	2.0 JTS	04.03-04.05	121	937 A1.000

LADA (VAZ)

110	1.6 16V	10.04-12.10	67	VAZ-21124
Granta (2190)	1.6	10.11-	72	VAZ-21126
	1.6	07.13-	78	VAZ-21127
Kalina Hatch. (1119)	1.4 16V	11.08-	66	VAZ-11194
	1.4 16V LPG	11.08-	65	VAZ-11194
	1.6 16V	10.04-	66	

< CP070

LADA (VAZ)

Kalina Hatch. (2192)	1.6	06.13-	78	VAZ-21127
Kalina Combi (1117)	1.4 16V	11.08-	66	VAZ-11194
	1.4 16V LPG	11.08-	65	VAZ-11194
Kalina Combi (2194)	1.6	11.13-	78	VAZ-21127
Kalina Sedan (1118)	1.4 16V	11.08-	66	VAZ-11194
	1.4 16V LPG	11.08-	65	VAZ-11194
	1.6 16V	10.04-	66	
Priora CC (2172)	1.6	12.08-	72	VAZ-21126
	1.6	02.14-	78	VAZ-21127
	1.6 LPG	12.08-	71	VAZ-21126
Priora Combi (2171)	1.6	10.09-	60	VAZ-21703
	1.6	10.09-	72	VAZ-21126
	1.6	02.14-	78	VAZ-21127
Priora Sedan (2170)	1.6	12.08-	72	VAZ-21126
	1.6	02.14-	78	VAZ-21127
	1.6 LPG	03.09-	71	

CP071

rail coil (CL218)

OEM-No.

Opel for coil 6235037

for coil 90424480

for coil 9198834



resistance: - kΩ

length: 96 mm

OPEL (VAUXHALL)

Astra G Cabriolet	2.0 16V Turbo	11.02-10.05	147	Z 20 LET
	2.0 OPC	03.02-10.05	141	Z 20 LET
Astra G Caravan	2.0 OPC	09.02-07.04	141	Z 20 LET
	2.0 OPC	11.02-07.04	147	Z 20 LET
Astra G CC	2.0 OPC	09.02-01.05	141	Z 20 LET
	2.0 OPC	11.02-01.05	147	Z 20 LET
Astra G Coupe	2.0 16V Turbo	09.00-08.01	140	Z 20 LET
	2.0 16V Turbo	08.01-05.05	141	Z 20 LET
	2.0 16V Turbo	11.02-05.05	147	Z 20 LET
Astra H (L48)	2.0 Turbo	03.04-	125	Z 20 LEL
	2.0 Turbo	09.04-	147	Z 20 LER
	2.0 Turbo	03.05-	177	Z 20 LEH
Astra H Caravan	2.0 Turbo	08.04-	125	Z 20 LEL
	2.0 Turbo	09.04-	147	Z 20 LER
Astra H GTC	2.0 Turbo	03.05-	147	Z 20 LER
	2.0 Turbo	03.05-	125	Z 20 LEL
Astra H TwinTop	2.0 Turbo	08.05-	177	Z 20 LEH
	2.0 Turbo	09.05-	125	Z 20 LEL
	2.0 Turbo	09.05-	147	Z 20 LER
Speedster	2.0 Turbo	04.03-	147	Z 20 LET
Zafira A (F75_)	2.0 OPC	09.01-06.05	141	Z 20 LET
	2.0 OPC	11.02-06.05	147	Z 20 LET/Z 20 LER
Zafira B (A05)	2.0	07.05-	147	Z 20 LER
	2.0	01.06-	177	Z 20 LEH

CP072

pencil coil (CL310)

OEM-No.

Fiat for coil 46777288

for coil G226355246099



resistance: - kΩ

length: 66 mm

ALFA ROMEO

Mito (955)	1.4	03.11-	57	955 A1.000
	1.4	09.08-	58	955 A1.000
	1.4	09.08-	70	199 A6.000

FIAT

500 (312)	0.9	12.13-	44	312 A4_ /312 A6_
	0.9	09.12-	48	312 A4.000
	1.4	10.07-	74	169 A3.000
500 C (312)	0.9	09.12-	48	312 A4.000

< CP072
FIAT

500 C (312)	1.4	09.09-	74	169 A3.000
	1.4	09.11-	75	169 A3.000
500L	1.4	09.12-	70	843 A1.000
	1.4	04.07-	66	192 B2.000
Bravo II (198)	1.4	11.09-	66	192 B2.000
	1.4 LPG	04.10-	70	843 A1.000
Doblo Flatbed (263)	1.4	02.10-	70	843 A1.000
Doblo MPV (152, 263)	1.4	02.10-	70	843 A1.000
Doblo Van/Combi	1.4	02.10-	70	843 A1.000
Ducato Van (250)	3.0 Natural Power	04.09-	100	F1CFA_/F1CE_
Grande Punto (199)	1.4 16V	10.05-	70	199 A6.000
	1.2 16V	01.04-	59	188 A5.000
Idea	1.4	12.03-	66	192 B2.000
	1.4 16V	01.04-	70	843 A1.000
Panda (169)	1.4	10.06-	74	169 A3.000
Panda (312)	0.9	12.13-	44	312 A4_/312 A6_
	0.9	02.12-	48	312 A4.000
Panda Van (312)	0.9	02.12-	48	312 A4.000
	1.4	09.03-	70	843 A1.000
Punto (188)	1.4	11.05-	71	199 A6.000
	1.2 16V	02.02-11.06	59	188 A5.000
Stilo (192)	1.4 16V	01.04-11.06	70	843 A1.000
	1.4 16V	03.05-11.06	66	192 B2.000
	1.4 16V	01.04-08.08	70	843 A1.000
Stilo Multi Wagon	1.4 16V	03.05-08.08	66	192 B2.000

LANCIA

Musa (350)	1.4	10.07-	66	192 B2.000
	1.4	10.04-	70	843 A 1.000
Ypsilon (843)	1.2	10.03-12.11	59	188 A5.000
	1.4 16V	10.03-12.11	70	843 A 1.000

CP073

rail coil (CL112, CL127, CL133, CL139, CL141) OEM-No.


 PSA for coil 5970.56
 for coil 5970.81
 for coil 5970.84
 for coil 5970.92
 for coil 9634131480


resistance: - kΩ

length: 73 mm

CITROEN

C4 Coupe (LA_)	2.0 16V	11.04-07.07	100	RFN (EW10J4)
	2.0 16V	11.04-12.10	130	RFK (EW10J4S)
C4 I (LC_)	2.0 16V	11.04-07.07	100	RFN (EW10J4)
	2.0 16V	11.04-07.08	130	RFK (EW10J4S)
C5 I (DC_)	1.8 16V	03.01-08.04	85	6FZ (EW7J4)
	2.0 16V	03.01-08.04	100	RFN (EW10J4)
C5 I Break (DE_)	1.8 16V	06.01-08.04	85	6FZ (EW7J4)
	2.0 16V	06.01-08.04	100	RFN (EW10J4)
C5 II (RC_)	1.8 16V	09.04-	85	6FZ (EW7J4)
C5 II Break (RE_)	1.8 16V	09.04-	85	6FZ (EW7J4)
C8 (EA_, EB_)	2.0	07.02-	100	RFN (EW10J4)
	2.2	07.02-	116	3FZ (EW12J4)
Evasion (22, U6)	2.0 16V	05.00-07.02	100	RFN (EW10J4)
Jumpy (U6U)	2.0	04.00-12.06	100	RFN (EW10J4)
	2.0 i 16V	03.00-	102	
Jumpy Van	2.0 i 16V	03.00-	102	RFN (EW10J4)
	1.6	02.96-04.04	88	NFX (TU5JP4)
Saxo (S0, S1)	1.6 VTS	06.96-09.03	87	NFX (TU5JP4)
	2.0 16V	09.00-03.05	100	RFN (EW10J4)
Xsara (N1)	2.0 16V	09.00-08.05	100	RFN (EW10J4)
Xsara Break (N2)	2.0 16V	09.00-03.05	100	RFN (EW10J4)
Xsara Coupe (N0)	1.8 16V	02.00-	85	6FZ (EW7J4)
Xsara Picasso (N68)	2.0 16V	01.03-	100	RFN (EW10J4)

FIAT

Scudo Combinato	2.0 16V	06.00-12.06	100	RFN (EW10J4)
Scudo Van (220L)	2.0	05.00-12.06	100	RFN (EW10J4)
Ulysse (179AX)	2.0	08.02-06.11	100	RFN (EW10J4)
Ulysse (220)	2.0 16V	09.00-08.02	100	RFN (EW10J4)

< CP073
PEUGEOT

106 II (1)	1.6 S16	05.96-	87	NFX (TU5J4)
206 CC (2A/C)	2.0 RC	07.03-	130	RFK (EW10J4S)
	2.0 S16	04.99-10.00	99	RFR (DEW10J4)
	2.0 S16	06.99-	100	RFN (EW10J4)
206 CC (2D)	2.0 S16	09.00-	100	RFN (EW10J4)
	2.0 16V	07.02-	100	RFN (EW10J4)
307 (3A/C)	2.0 16V	08.00-	100	RFN (EW10J4)
	2.0 16V	06.05-	130	RFK (EW10J4S)
307 Break (3E)	2.0	03.02-	100	RFN (EW10J4)
	2.0 16V	06.05-	130	RFK (EW10J4S)
307 CC (3B)	2.0 16V	10.03-	100	RFN (EW10J4)
	2.0 16V	10.03-	130	RFK (EW10J4S)
307 SW (3H)	2.0 16V	03.02-	100	RFN (EW10J4)
406 (8B)	1.8 16V	10.00-05.04	85	6FZ (EW7J4)
	2.0 16V	01.99-08.00	99	RFR (DEW10J4)
	2.0 16V	08.00-06.04	100	RFN (EW10J4)
	2.2	07.00-05.04	116	3FZ (EW12J4)
406 Break (8E/F)	1.8 16V	10.00-10.04	85	6FZ (EW7J4)
	2.0 16V	01.99-10.00	99	RFR (DEW10J4)
	2.0 16V	10.00-10.04	100	RFN (EW10J4)
	2.2	07.00-10.04	116	3FZ (EW12J4)
406 Coupe (8C)	2.0 16V	01.99-10.00	99	RFR (DEW10J4)
	2.0 16V	10.00-12.04	100	RFN (EW10J4)
407 (6D_)	2.2	03.02-12.04	116	3FZ (EW12J4)
	1.8	05.04-	85	6FZ (EW7J4)
	2.0	05.04-	100	RFN (EW10J4)
407 Coupe (6C_)	2.2	05.04-	116	3FZ (EW12J4)
	2.2 16V	10.05-	120	3FY (EW12J4)
407 SW (6E_)	1.8	05.04-	85	6FZ (EW7J4)
	2.0	05.04-	100	RFN (EW10J4)
	2.2	05.04-	116	3FZ (EW12J4)
607 (9D, 9U)	2.0	02.00-	100	RFN (EW10J4)
	2.2 16V	02.00-	116	3FZ (EW12J4)
806 (221)	2.0 16V	09.00-08.02	100	RFN (EW10J4)
807 (E)	2.0	06.02-	100	RFN (EW10J4)
	2.2	06.02-	116	3FZ (EW12J4)
Expert (224)	2.0	07.00-	100	RFN (EW10J4)
Expert Van (222)	2.0	09.02-	100	RFN (EW10J4)

HP	kW
1	0,74
30	22,06
35	25,74
40	29,42
45	33,09
50	36,77
55	40,45
60	44,13
65	47,80
70	51,48
75	55,16
80	58,84
85	62,51
90	66,19
95	69,87
100	73,55
105	77,22
110	80,90
115	84,58
120	88,26
125	91,93
130	95,61
135	99,29
140	102,97
145	106,64
150	110,32
155	114,00
160	117,68
165	121,35
170	125,03
175	128,71
180	132,39
185	136,06
190	139,74
195	143,42
200	147,10
205	150,77
210	154,45
215	158,13
220	161,81
225	165,48
230	169,16
235	172,84
240	176,52
245	180,19
250	183,87
255	187,55
260	191,23
265	194,90
270	198,58
275	202,26

kW	HP
1	1,36
20	27,19
25	33,99
30	40,78
35	47,58
40	54,38
45	61,18
50	67,98
55	74,77
60	81,57
65	88,37
70	95,17
75	101,97
80	108,77
85	115,56
90	122,36
95	129,16
100	135,96
105	142,76
110	149,55
115	156,35
120	163,15
125	169,95
130	176,75
135	183,54
140	190,34
145	197,14
150	203,94
155	210,74
160	217,53
165	224,33
170	231,13
175	237,93
180	244,73
185	251,53
190	258,32
195	265,12
200	271,92
205	278,72
210	285,52
215	292,31
220	299,11
225	305,91
230	312,71
235	319,51
240	326,30
245	333,10
250	339,90
255	346,70
260	353,50
265	360,29

HP = л.с.
 kW = кВт

Ignition coils – cross references
Катушки зажигания – таблицы сравнения
Zapalovací cívky – srovnávací tabulky



ALFA ROMEO	TESLA	BBT	TESLA	BBT	TESLA	BBT	TESLA	BBT	TESLA	BBT	TESLA
46467542	CL318	IC07102	CL202	IC15110	CL114	IC17102	CL513	0040100249	CL109		
46469863	CL305	IC07103	CL205	IC15111	CL109	IC17103	CL580	0040100250	CL122		
46755605	CL307	IC07104	CL200	IC15112	CL122	IC17104	CL568	0040100251	CL118		
46794782	CL321	IC07105	CL203	IC15113	CL124	IC17105	CL571	0040100252	CL205		
55212624	CL324	IC07106	CL213	IC15114	CL129	IC17106	CL577	0040100253	CL206		
60558152	CL302	IC07107	CL214	IC15115	CL118	IC17107	CL575	0040100254	CL136		
60562701	CL320	IC07108	CL218	IC15116	CL101	IC17108	CL502	0040100255	CL137		
60586072	CL319	IC07109	CL221	IC15116	CL137	IC17109	CL503	0040100256	CL113		
60805420	CL300	IC07110	CL219	IC15117	CL102	IC17110	CL525	0040100257	CL114		
60809492	CL300	IC07111	CL210	IC15118	CL123	IC17111	CL526	0040100258	CL129		
60809606	CL302	IC07112	CL222	IC15119	CL131	IC17112	CL514	0040100259	CL202		
60810690	CL320	IC07113	CL209	IC15120	CL116	IC17113	CL520	0040100261	CL525		
71739702	CL226	IC07115	CL215	IC15121	CL127	IC17114	CL515	0040100262	CL515		
71739725	CL221	IC07116	CL229	IC15123	CL132	IC17115	CL564	0040100263	CL508		
76487970	CL302	IC07117	CL230	IC15124	CL140	IC17116	CL528	0040100264	CL502		
7793212	CL306	IC07118	CL224	IC15125	CL135	IC17117	CL527	0040100265	CL526		
BBT	TESLA	IC07119	CL212	IC15126	CL104	IC17119	CL551	0040100266	CL523		
IC01100	CL121	IC07120	CL232	IC15127	CL141	IC17120	CL524	0040100267	CL503		
IC01101	CL410	IC07121	CL223	IC15128	CL112	IC17121	CL546	0040100268	CL539		
IC01102	CL119	IC07122	CL217	IC15129	CL133	IC17122	CL565	0040100269	CL528		
IC02101	CL625	IC07123	CL233	IC15130	CL138	IC17123	CL555	0040100270	CL527		
IC03100	CL001	IC07125	CL240	IC15131	CL139	IC17124	CL572	0040100274	CL559		
IC03101	CL003	IC07127	CL237	IC15133	CL105	IC17126	CL905	0040100275	CL501		
IC03102	CL005	IC09101	CL615	IC15135	CL150	IC17127	CL910	0040100276	CL500		
IC03103	CL014	IC09102	CL601	IC15136	CL115	IC17130	CL581	0040100277	CL509		
IC03104	CL002	IC09103	CL600	IC15138	CL152	IC17131	CL579	0040100278	CL560		
IC03105	CL018	IC09107	CL602	IC15140	CL151	IC17132	CL542	0040100279	CL506		
IC03106	CL004	IC09108	CL603	IC15141	CL153	IC18100	CL400	0040100281	CL400		
IC03108	CL006	IC09109	CL619	IC15142	CL155	IC18101	CL401	0040100282	CL543		
IC03109	CL019	IC09110	CL624	IC15143	CL157	IC18103	CL408	0040100283	CL300		
IC03109	CL318	IC09111	CL623	IC15144	CL158	IC18104	CL405	0040100295	CL604		
IC03111	CL015	IC09113	CL626	IC16100	CL500	IC18105	CL406	0040100296	CL609		
IC03112	CL022	IC10101	CL305	IC16101	CL501	IC18106	CL403	0040100297	CL605		
IC03113	CL010	IC10102	CL307	IC16102	CL508	IC18107	CL407	0040100298	CL612		
IC03114	CL007	IC10103	CL306	IC16103	CL535	IC18108	CL404	0040100299	CL613		
IC03115	CL021	IC10104	CL321	IC16104	CL536	IC18109	CL409	0040100300	CL219		
IC03118	CL023	IC10105	CL320	IC16105	CL538	ZK15102	CL110	0040100301	CL210		
IC03119	CL028	IC10106	CL319	IC16106	CL537	ZK15104	CL130	0040100304	CL607		
IC03120	CL020	IC11100	CL201	IC16107	CL509	ZK15106	CL111	0040100306	CL222		
IC03121	CL034	IC11101	CL211	IC16108	CL547	ZK15122	CL134	0040100307	CL615		
IC03122	CL009	IC11102	CL220	IC16109	CL557	ZK15132	CL120	0040100308	CL404		
IC03123	CL016	IC11103	CL204	IC16110	CL505	ZK15134-075	CL149	0040100309	CL305		
IC03124	CL029	IC11104	CL225	IC16111	CL510	ZK15137	CL117	0040100310	CL317		
IC03125	CL024	IC12101	CL700	IC16112	CL511	BERU	TESLA	0040100311	CL318		
IC03127	CL031	IC12102	CL702	IC16113	CL554	0040100014	CL601	0040100315	CL123		
IC03128	CL032	IC13100	CL300	IC16114	CL521	0040100016	CL004	0040100317	CL124		
IC04100	CL613	IC13101	CL304	IC16115	CL522	0040100029	CL312	0040100318	CL125		
IC04101	CL611	IC13102	CL308	IC16116	CL550	0040100031	CL625	0040100319	CL126		
IC04102	CL604	IC13103	CL316	IC16117	CL532	0040100037	CL020	0040100320	CL301		
IC04104	CL609	IC13104	CL315	IC16118	CL541	0040100041	CL616	0040100321	CL311		
IC04105	CL612	IC13105	CL312	IC16119	CL529	0040100043	CL033	0040100322	CL310		
IC04106	CL607	IC13106	CL301	IC16120	CL531	0040100052	CL100	0040100323	CL105		
IC04107	CL616	IC13107	CL310	IC16121	CL544	0040100053	CL618	0040100324	CL602		
IC04108	CL606	IC13110	CL317	IC16123	CL556	0040100068	CL702	0040100325	CL150		
IC04109	CL605	IC13111	CL311	IC16124	CL566	0040100077	CL622	0040100337	CL521		
IC04110	CL610	IC13112	CL302	IC16125	CL534	0040100079	CL309	0040100338	CL215		
IC04111	CL617	IC13113	CL314	IC16126	CL912	0040100127	CL208	0040100339	CL614		
IC04112	CL618	IC13114	CL309	IC16127	CL592	0040100231	CL106	0040100340	CL606		
IC04113	CL622	IC13115	CL326	IC16128	CL911	0040100234	CL302	0040100341	CL107		
IC04114	CL621	IC13116	CL323	IC16129	CL900	0040100241	CL127	0040100342	CL203		
IC04115	CL627	IC15100	CL100	IC16131	CL584	0040100242	CL128	0040100343	CL140		
IC04118	CL628	IC15101	CL106	IC16132	CL903	0040100243	CL102	0040100344	CL207		
IC04119	CL629	IC15103	CL107	IC16133	CL904	0040100244	CL304	0040100345	CL131		
IC06100	CL710	IC15105	CL113	IC16134	CL595	0040100245	CL103	0040100346	CL132		
IC06101	CL705	IC15107	CL103	IC16141	CL926	0040100246	CL101	0040100347	CL135		
IC07100	CL207	IC15108	CL128	IC17100	CL506	0040100247	CL108	0040100348	CL112		
IC07101	CL206	IC15109	CL108	IC17101	CL519	0040100248	CL308	0040100349	CL115		

Ignition coils – cross references
Катушки зажигания – таблицы сравнения
Zapalovací cívký – srovnávací tabulky



BERU	TESLA	BERU	TESLA	BMW	TESLA	BOSCH	TESLA	BOSCH	TESLA
0040100350	CL401	ZSE001	CL001	12131777666	CL601	0 221 505 423	CL404	F 000 ZS0 112	CL205
0040100351	CL133	ZSE003	CL002	12137523345	CL623	0 221 505 437	CL611	F 000 ZS0 113	CL114
0040100352	CL138	ZSE007	CL006	12137548553	CL623	0 221 506 002	CL606	F 000 ZS0 114	CL108
0040100353	CL139	ZSE009	CL014	12137551260	CL602	0 221 506 444	CL604	F 000 ZS0 115	CL118
0040100354	CL116	ZSE012	CL620	12137562744	CL603	0 221 601 012	CL119	F 000 ZS0 116	CL501
0040100356	CL513	ZSE016	CL004	12137571643	CL603	0 221 603 003	CL028	F 000 ZS0 117	CL513
0040100358	CL213	ZSE029	CL010	12137571644	CL619	0 221 603 010	CL002	F 000 ZS0 121	CL568
0040100359	CL217	ZSE030	CL003	12137582627	CL619	0 221 604 006	CL407	F 000 ZS0 211	CL802
0040100361	CL307	ZSE031	CL009	12137594935	CL619	0 221 604 008	CL121	F 000 ZS0 212	CL400
0040100372	CL411	ZSE033	CL011	12137594936	CL623	0 221 604 010	CL410		
0040100381	CL110	ZSE039	CL008	12137619385	CL626	0 221 604 014	CL554	BOUGICORD	TESLA
0040100394	CL712	ZSE040	CL007	12137703359	CL601	0 221 604 024	CL413	151401	CL130
0040100395	CL802	ZSE043	CL005	12137838388	CL624	0 221 604 032	CL629	151402	CL117
0040100396	CL713	ZSE051	CL034	12137841754	CL624	0 221 604 103	CL321	151405	CL134
0040100432	CL720	ZSE093	CL629	12139066468	CL601	0 221 604 109	CL011	151406	CL149
0040100501	CL711					0 221 604 109	CL011	151408	CL150
0040100502	CL708	BMW	TESLA	BOSCH	TESLA	0 986 221 000	CL001	154301	CL110
0040100511	CL558	1404309	CL600	0 221 119 023	CL228	0 986 221 001	CL100	154302	CL111
0040100532	CL569	1703227	CL600	0 221 122 399	CL018	0 986 221 002	CL019	154303	CL120
0040102002	CL620	1703360	CL601	0 221 502 002	CL514	0 986 221 003	CL312	155001	CL317
0040102013	CL030	1703825	CL600	0 221 502 429	CL609	0 986 221 004	CL502	155002	CL306
0040102019	CL121	1712223	CL602	0 221 502 431	CL614	0 986 221 005	CL523	155003	CL213
0040102020	CL315	1720166	CL601	0 221 502 433	CL612	0 986 221 006	CL519	155004	CL604
0040102021	CL510	1726176	CL601	0 221 502 435	CL613	0 986 221 007	CL616	155005	CL318
0040102025	CL201	1726177	CL601	0 221 503 001	CL219	0 986 221 008	CL503	155006	CL307
0040102026	CL200	1726178	CL601	0 221 503 002	CL210	0 986 221 010	CL508	155007	CL702
0040102029	CL010	1726178B	CL601	0 221 503 010	CL209	0 986 221 011	CL004	155009	CL405
0040102030	CL003	1730765	CL601	0 221 503 014	CL213	0 986 221 012	CL525	155010	CL401
0040102031	CL022	1731134	CL601	0 221 503 015	CL214	0 986 221 014	CL033	155011	CL400
0040102032	CL015	1731178B	CL601	0 221 503 017	CL222	0 986 221 015	CL021	155012	CL010
0040102033	CL011	1748017	CL600	0 221 503 022	CL607	0 986 221 016	CL625	155013	CL128
0040102037	CL119	1748018	CL600	0 221 503 024	CL106	0 986 221 017	CL020	155014	CL102
0040102039	CL008	1748394	CL601	0 221 503 025	CL107	0 986 221 018	CL515	155015	CL123
0040102039	CL009	1777666	CL601	0 221 503 026	CL229	0 986 221 020	CL528	155016	CL116
0040102040	CL007	7551260	CL602	0 221 503 027	CL230	0 986 221 023	CL003	155017	CL300
0040102043	CL005	7619385	CL626	0 221 503 031	CL223	0 986 221 024	CL005	155018	CL136
0040102044	CL016	7838388	CL624	0 221 503 033	CL610	0 986 221 025	CL128	155019	CL137
0040102045	CL104	78428001	CL624	0 221 503 035	CL605	0 986 221 026	CL102	155020	CL310
0040102046	CL141	761938505	CL626	0 221 503 407	CL302	0 986 221 027	CL304	155021	CL135
0040102047	CL111	784175401	CL624	0 221 503 457	CL319	0 986 221 028	CL308	155022	CL214
0040102048	CL120	864746301	CL626	0 221 503 465	CL803	0 986 221 029	CL109	155023	CL311
0040102055	CL410	12131247281	CL615	0 221 503 468	CL218	0 986 221 030	CL136	155024	CL710
0040102056	CL554	12131317232	CL601	0 221 503 469	CL226	0 986 221 031	CL137	155025	CL124
0040102061	CL029	12131402440	CL601	0 221 503 471	CL217	0 986 221 032	CL509	155026	CL001
0040102062	CL017	12131402713	CL601	0 221 503 472	CL215	0 986 221 033	CL123	155027	CL112
0040102063	CL023	12131404102	CL601	0 221 503 473	CL232	0 986 221 034	CL110	155028	CL520
0040102065	CL024	12131404309	CL600	0 221 503 485	CL403	0 986 221 035	CL111	155029	CL215
0040102066	CL152	12131703227	CL600	0 221 503 487	CL406	0 986 221 036	CL130	155030	CL132
0040102067	CL031	12131703228	CL600	0 221 503 489	CL615	0 986 221 037	CL313	155031	CL133
0040102071	CL536	12131703359	CL601	0 221 503 490	CL409	0 986 221 038	CL316	155032	CL104
0040102073	CL535	12131703825	CL600	0 221 504 001	CL617	0 986 221 039	CL202	155033	CL107
0040102076	CL913	12131712219	CL602	0 221 504 006	CL317	0 986 221 040	CL618	155034	CL106
0040102079	CL915	12131712223	CL602	0 221 504 014	CL318	0 986 221 042	CL301	155035	CL522
0040102137	CL032	12131720166	CL601	0 221 504 017	CL521	0 986 221 044	CL711	155036	CL610
0040103007	CL611	12131726176	CL601	0 221 504 019	CL522	0 986 221 046	CL150	155037	CL521
0040104100	CL149	12131726177	CL601	0 221 504 020	CL542	0 986 221 100	CL628	155038	CL203
0040402001	CL001	12131726178	CL601	0 221 504 024	CL323	0 986 JG1 211	CL510	155039	CL221
0040402002	CL019	12131727108	CL601	0 221 504 030	CL153	0 986 JG1 212	CL511	155040	CL138
0040402003	CL002	12131729842	CL601	0 221 504 035	CL325	0 986 JG1 224	CL586	155041	CL139
0040402004	CL021	12131730765	CL601	0 221 504 036	CL326	0 986 JG1 225	CL585	155042	CL140
0040402007	CL006	12131730766	CL601	0 221 504 456	CL320	1 227 030 059	CL306	155043	CL141
0040402008	CL026	12131731134	CL601	0 221 504 460	CL311	1 227 030 062	CL305	155044	CL404
0040402009	CL014	12131731884	CL601	0 221 504 461	CL800	1 227 030 071	CL307	155045	CL217
0040402010	CL540	12131734468	CL601	0 221 504 464	CL602	1 227 030 082	CL601	155046	CL218
0040402011	CL519	12131748017	CL600	0 221 504 465	CL623	9 220 081 505	CL122	155047	CL508
ZS090	CL325	12131748018	CL600	0 221 504 470	CL603	F 000 ZS0 001	CL208	155048	CL201
ZS538	CL626	12131748394	CL601	0 221 504 471	CL619	F 000 ZS0 103	CL300	155049	CL602
		12131748395	CL601	0 221 504 473	CL800	F 000 ZS0 111	CL206	155050	CL131

Ignition coils – cross references
Катушки зажигания – таблицы сравнения
Zapalovací cívky – srovnávací tabulky



BOUGICORD	TESLA	BOUGICORD	TESLA	BREMI	TESLA	BREMI	TESLA	BREMI	TESLA
155051	CL312	155133	CL719	11719	CL131	20145	CL616	20324	CL537
155052	CL200	155134	CL321	11720	CL116	20148	CL574	20325	CL538
155053	CL220	155135	CL542	11722	CL128	20149	CL535	20326	CL528
155054	CL016	155136	CL603	11723	CL102	20150	CL512	20327	CL521
155055	CL115	155138	CL554	11731	CL002	20151	CL557	20327	CL617
155056	CL304	155139	CL616	11732	CL615	20152	CL580	20328	CL521
155057	CL207	155140	CL555	11869	CL004	20153	CL611	20330	CL547
155058	CL313	155141	CL579	11873	CL605	20155	CL401	20332	CL568
155059	CL109	155142	CL564	11875	CL400	20156	CL110	20333	CL583
155060	CL122	155143	CL152	11876	CL206	20157	CL607	20334	CL138
155061	CL118	155144	CL624	11877	CL118	20158	CL560	20335	CL213
155062	CL205	155146	CL323	11878	CL108	20159	CL026	20336	CL317
155063	CL129	155147	CL412	11879	CL114	20160	CL200	20337	CL592
155064	CL206	155148	CL151	11880	CL109	20161	CL111	20338	CL306
155066	CL501	155149	CL569	11881	CL106	20163	CL513	20339	CL546
155067	CL700	155151	CL505	11882	CL107	20164	CL524	20340	CL115
155068	CL519	155152	CL547	11883	CL302	20166	CL220	20344	CL565
155069	CL019	155153	CL711	11884	CL129	20167	CL130	20345	CL117
155070	CL607	155154	CL506	11885	CL506	20168	CL119	20346	CL576
155071	CL513	155155	CL402	11886	CL500	20169	CL219	20347	CL125
155072	CL605	155156	CL526	11887	CL508	20170	CL502	20348	CL126
155073	CL119	155157	CL527	11888	CL509	20172	CL711	20350	CL225
155074	CL309	155158	CL529	11889	CL559	20173	CL519	20352	CL140
155075	CL403	155159	CL535	11890	CL543	20174	CL305	20353	CL906
155076	CL302	155160	CL536	11892	CL019	20175	CL307	20354	CL562
155077	CL611	155161	CL539	11893	CL001	20176	CL403	20356	CL712
155078	CL212	155164	CL544	11896	CL205	20179	CL222	20358	CL713
155079	CL204	155166	CL225	11898	CL304	20180	CL618	20361	CL589
155080	CL211	155167	CL548	11899	CL300	20181	CL210	20362	CL919
155081	CL316	155168	CL549	11900	CL313	20182	CL127	20364	CL707
155082	CL108	155170	CL557	11906	CL018	20183	CL104	20365	CL230
155083	CL114	155171	CL558	11914	CL588	20184	CL214	20367	CL211
155084	CL018	155172	CL708	11915	CL501	20185	CL622	20368	CL229
155085	CL609	155174	CL566	11917	CL122	20186	CL121	20369	CL548
155086	CL500	155175	CL577	11921	CL563	20187	CL315	20370	CL585
155087	CL510	155176	CL556	11922	CL207	20188	CL609	20371	CL008
155088	CL121	155177	CL565	11925	CL563	20189	CL215	20372	CL706
155089	CL219	155179	CL580	11927	CL504	20190	CL404	20373	CL113
155091	CL502	155180	CL410	11929	CL312	20191	CL520	20374	CL719
155092	CL511	155181	CL706	11930	CL136	20192	CL536	20375	CL625
155093	CL524	155182	CL595	11931	CL137	20193	CL203	20377	CL151
155094	CL503	155184	CL561	11935	CL700	20194	CL708	20378	CL566
155095	CL320	155200	CL600	20110	CL602	20195	CL610	20379	CL594
155096	CL509	155206	CL927	20111	CL100	20197	CL318	20380	CL301
155097	CL021	155273	CL723	20112	CL022	20198	CL561	20381	CL802
155098	CL615	155275	CL235	20113	CL005	20199	CL613	20382	CL316
155099	CL515	155279	CL627	20114	CL015	20200	CL124	20383	CL141
155100	CL601	155381	CL929	20115	CL017	20300	CL204	20384	CL709
155103	CL017	155458	CL926	20116	CL009	20301	CL578	20386	CL577
155104	CL009	155500	CL004	20117	CL003	20303	CL406	20387	CL801
155105	CL008	155900	CL006	20120	CL011	20304	CL503	20388	CL595
155106	CL023	156100	CL002	20121	CL023	20305	CL570	20389	CL901
155107	CL224	156200	CL100	20122	CL016	20306	CL135	20391	CL722
155109	CL024	156300	CL202	20124	CL024	20307	CL606	20394	CL913
155110	CL034	156500	CL113	20129	CL010	20308	CL907	20395	CL527
155111	CL029	156600	CL105	20130	CL014	20310	CL209	20397	CL411
155112	CL030	156800	CL127	20131	CL510	20312	CL320	20398	CL920
155113	CL546	157000	CL314	20132	CL021	20313	CL405	20399	CL917
155114	CL507	157100	CL315	20133	CL030	20314	CL542	20400	CL556
155115	CL216	157200	CL007	20135	CL515	20315	CL505	20402	CL921
155118	CL551	157300	CL301	20136	CL202	20316	CL132	20403	CL586
155119	CL541	157400	CL003	20137	CL525	20317	CL553	20405	CL720
155120	CL523	157500	CL005	20138	CL201	20319	CL612	20406	CL572
155121	CL530	157600	CL014	20139	CL408	20320	CL112	20415	CL922
155125	CL534	157700	CL015	20140	CL569	20321	CL217	20417	CL718
155127	CL028	157800	CL022	20142	CL123	20322	CL511	20427	CL239
155129	CL146	157900	CL011	20143	CL523	20323	CL555	20428	CL931

Ignition coils – cross references
Катушки зажигания – таблицы сравнения
Zapalovací cívký – srovnávací tabulky



BREMI	TESLA	DELPHI	TESLA	DELPHI	TESLA	ERA	TESLA	ERA	TESLA
20432	CL593	CE10001-12B1	CL212	GN10231-12B1	CL628	880056	CL131	880130	CL218
20435	CL915	CE10020-12B1	CL124	GN10232-12B1	CL627	880057	CL700	880131	CL319
20439	CL564	CE10021-12B1	CL136	GN10234-12B1	CL233	880058	CL116	880132	CL320
20441	CL534	CE10023-12B1	CL001	GN10235-12B1	CL621	880059	CL519	880133	CL121
20443	CL581	CE10027-12B1	CL702	GN10239-12B1	CL151	880060	CL124	880134	CL321
20444	CL928	CE10510-12B1	CL206	GN10240-12B1	CL135	880061	CL019	880135	CL020
20445	CL598	CE10512-12B1	CL711	GN10241-11B1	CL911	880062	CL607	880136	CL208
20464	CL930	CE10513-12B1	CL539	GN10248-11B1	CL586	880063	CL203	880137	CL219
20471	CL235	CE20009-12B1	CL221	GN10435-12B1	CL933	880064	CL011	880138	CL523
20475	CL932	CE20010-12B1	CL110	GN10440-12B1	CL930	880065	CL015	880139	CL502
20482	CL927	CE20011-12B1	CL111	GN10477-12B1	CL242	880066	CL022	880140	CL524
20488	CL237	CE20014-12B1	CL100	GN10484-12B1	CL934	880067	CL702	880141	CL503
20520	CL245	CE20015-12B1	CL117	GN10485-12B1	CL237	880068	CL310	880142	CL525
20524	CL236	CE20017-12B1	CL130	GN10494-12B1	CL245	880070	CL204	880143	CL526
20547	CL244	CE20018-12B1	CL134	GN10530-12B1	CL236	880071	CL520	880144	CL527
11 856T	CL601	CE20019-12B1	CL004	GN10583-12B1	CL157	880072	CL513	880145	CL515
11 860T	CL600	CE20020-12B1	CL115	GN10584-12B1	CL158	880073	CL112	880146	CL528
11866T	CL006	CE20024-12B1	CL113	ERA	TESLA	880074	CL006	880147	CL529
CADILLAC	TESLA	CE20026-12B1	CL127	880001	CL001	880075	CL212	880148	CL530
12610626	CL245	CE20029-12B1	CL007	880003	CL002	880076	CL510	880149	CL531
DACIA	TESLA	CE20029-12B1	CL008	880005	CL010	880077	CL402	880150	CL532
22 43 324 28R	CL155	CE20030-12B1	CL003	880006	CL003	880078	CL213	880151	CL220
60 00 592 931	CL117	CE20034-12B1	CL011	880007	CL005	880079	CL307	880152	CL533
60 01 543 604	CL116	CE20035-12B1	CL317	880008	CL300	880080	CL214	880153	CL221
60 01 544 755	CL117	CE20036-12B1	CL306	880009	CL100	880081	CL004	880155	CL534
DAEWOO	TESLA	CE20038-12B1	CL604	880010	CL314	880082	CL710	880156	CL209
0001587003	CL604	CE20039-12B1	CL318	880011	CL315	880084	CL132	880157	CL222
0001587503	CL604	CE20040-12B1	CL307	880012	CL304	880085	CL104	880158	CL535
1115467	CL211	CE20043-12B1	CL405	880013	CL106	880086	CL115	880159	CL536
01115467	CL211	CE20044-12B1	CL401	880014	CL107	880087	CL133	880160	CL537
93363483	CL220	CE20046-12B1	CL128	880015	CL207	880088	CL134	880161	CL538
94582699	CL231	CE20047-12B1	CL102	880016	CL113	880089	CL105	880162	CL539
96165049	CL211	CE20048-12B1	CL116	880017	CL127	880090	CL308	880163	CL540
96253555	CL220	CE20053-12B1	CL122	880018	CL103	880091	CL309	880164	CL541
96291054	CL216	CE20054-12B1	CL105	880019	CL101	880092	CL117	880165	CL612
96320818	CL204	CE20055-12B1	CL123	880020	CL128	880093	CL311	880166	CL009
96336522	CL204	CE20056-12B1	CL310	880021	CL102	880094	CL008	880169	CL407
96350585	CL201	CE20057-12B1	CL311	880023	CL108	880095	CL135	880171	CL210
96453420	CL225	CE20058-12B1	CL300	880024	CL114	880096	CL610	880172	CL229
96566260	CL220	CE20060-12B1	CL109	880026	CL109	880097	CL605	880173	CL230
DAIHATSU	TESLA	CE20061-12B1	CL312	880027	CL122	880098	CL521	880174	CL223
19070-B1020	CL587	CE20062-12B1	CL301	880028	CL118	880099	CL522	880175	CL542
19500-87201	CL563	DS10000-12B1	CL200	880029	CL205	880100	CL119	880176	CL224
19500-87201-000	CL563	DS20013-12B1	CL201	880030	CL018	880101	CL215	880179	CL613
19500-87202	CL563	DS20026-11B1	CL224	880031	CL129	880102	CL317	880180	CL606
90048-52070	CL563	GE10216-12B1	CL513	880032	CL206	880103	CL403	880181	CL625
90048-52072	CL563	GN10018-11B1	CL002	880033	CL007	880107	CL602	880182	CL408
90048-52072-000	CL563	GN10024-11B1	CL509	880034	CL110	880108	CL318	880183	CL543
90048-52077	CL563	GN10028-11B1	CL559	880035	CL111	880109	CL302	880184	CL544
90048-52078	CL563	GN10068-11B1	CL501	880036	CL130	880110	CL611	880185	CL504
90048-52079	CL563	GN10142-12B1	CL706	880037	CL014	880112	CL507	880186	CL505
90048-52083-000	CL907	GN10171-12B1	CL569	880038	CL301	880113	CL211	880187	CL545
90048-52084	CL563	GN10172-12B1	CL712	880039	CL202	880114	CL216	880188	CL546
90048-52085	CL563	GN10174-12B1	CL713	880040	CL200	880115	CL136	880189	CL225
90048-52086	CL563	GN10175-12B1	CL578	880042	CL316	880116	CL137	880190	CL547
90048-52088-000	CL907	GN10184-11B1	CL580	880043	CL312	880117	CL120	880191	CL711
90048-52091	CL563	GN10191-12B1	CL547	880044	CL201	880118	CL138	880192	CL614
90048-52093	CL563	GN10195-12B1	CL009	880045	CL600	880119	CL139	880193	CL409
90048-52093-000	CL563	GN10205-12B1	CL403	880046	CL601	880120	CL140	880194	CL512
90048-52094-000	CL907	GN10206-12B1	CL034	880048	CL400	880121	CL141	880195	CL021
90048-52095	CL563	GN10210-12B1	CL602	880049	CL401	880123	CL404	880196	CL548
90048-52095-000	CL563	GN10211-12B1	CL302	880050	CL609	880124	CL511	880197	CL549
90048-52098	CL563	GN10219-11B1	CL592	880051	CL123	880125	CL217	880198	CL226
90048-52099	CL563	GN10219-12B1	CL592	880052	CL500	880126	CL405	880200	CL603
90048-52126	CL922	GN10224-11B1	CL535	880053	CL501	880127	CL406	880201	CL550
DELPHI		GN10225-11B1	CL536	880054	CL506	880128	CL306	880202	CL514
CE10000-12B1	CL202	GN10228-11B1	CL548	880055	CL508	880129	CL305	880203	CL551

Ignition coils – cross references
Катушки зажигания – таблицы сравнения
Zapalovací cívký – srovnávací tabulky



ERA	TESLA	ERA	TESLA	FACET	TESLA	FACET	TESLA	FACET	TESLA	FEBI BILSTEIN	TESLA
880205	CL553	880317	CL931	9.6098	CL568	9.6357	CL550	30266	CL204		
880206	CL125	880318	CL911	9.6099	CL513	9.6358	CL564	30268	CL501		
880207	CL509	880319	CL901	9.6101	CL588	9.6359	CL520	30713	CL525		
880208	CL615	880320	CL902	9.6102	CL574	9.6361	CL555	30971	CL400		
880211	CL150	880325	CL721	9.6103	CL578	9.6374	CL003	31143	CL405		
880213	CL554	880326	CL903	9.6111	CL716	9.6375	CL602	31390	CL570		
880214	CL589	880327	CL904	9.6113	CL500	9.6380	CL405	32054	CL581		
880216	CL590	880328	CL926	9.6114	CL501	9.6381	CL403	32055	CL579		
880219	CL234	880329	CL908	9.6115	CL560	9.6383	CL151	33189	CL583		
880220	CL705	880331	CL909	9.6119	CL204	9.6387	CL621	33647	CL234		
880222	CL557	880332	CL151	9.6120	CL558	9.6389	CL554	37421	CL238		
880223	CL573	880333	CL920	9.6121	CL509	9.6405	CL929	37423	CL233		
880224	CL558	880334	CL581	9.6128	CL122	9.6407	CL218			FIAT	TESLA
880225	CL559	880337	CL241	9.6129	CL559	9.6418	CL150	4439396	CL316		
880226	CL708	880339	CL031	9.6133	CL506	9.6491	CL533	7553120	CL308		
880230	CL560	880341	CL033	9.6152	CL563	9.8034	CL200	7582152	CL304		
880233	CL716	880342	CL916	9.6166	CL570	9.8114	CL001	7626232	CL300		
880240	CL616	880344	CL707	9.6172	CL207	9.8120	CL002	7646974	CL308		
880241	CL571	880345	CL032	9.6173	CL219	9.8123	CL119	7646975	CL303		
880242	CL924	880346	CL628	9.6175	CL124	9.60625	CL601	7648797	CL302		
880243	CL555	880347	CL233	9.6176	CL125	9.62545	CL004	7663177	CL304		
880244	CL576	880348	CL621	9.6177	CL126	9.62695	CL907	7672018	CL300		
880245	CL579	880349	CL923	9.6183	CL525			7694335	CL303		
880246	CL566	880352	CL914	9.6184	CL508	FEBI BILSTEIN	TESLA	7698431	CL304		
880247	CL561	880353	CL919	9.6207	CL615	17194	CL001	7746151	CL313		
880248	CL907	880354	CL238	9.6207	CL320	19929	CL300	7746152	CL304		
880250	CL562	880358	CL719	9.6213	CL317	21109	CL601	7746153	CL308		
880253	CL563	880359	CL568	9.6214	CL317	21524	CL116	7746154	CL304		
880255	CL564	880362	CL932	9.6216	CL606	21525	CL131	7753777	CL303		
880256	CL575	880370	CL235	9.6241	CL205	21526	CL102	7789346	CL312		
880257	CL577	880374	CL326	9.6244	CL504	21527	CL128	46403328	CL317		
880258	CL556	880375	CL325	9.6245	CL312	21528	CL118	46446039	CL312		
880259	CL584	880376	CL244	9.6247	CL569	21529	CL123	46460582	CL314		
880260	CL231	880377	CL155	9.6252	CL600	21666	CL100	46467542	CL318		
880264	CL585	880377	CL155	9.6255	CL136	22038	CL003	46469863	CL305		
880266	CL583	880386	CL627	9.6256	CL137	22389	CL202	46472440	CL312		
880267	CL034	880392	CL236	9.6256	CL137	22581	CL106	46473849	CL315		
880268	CL029	880392	CL236	9.6265	CL131	22697	CL312	46480361	CL312		
880269	CL017	880401	CL240	9.6274	CL700	22875	CL124	46543562	CL300		
880270	CL023	880403	CL237	9.6276	CL128	23187	CL203	46548037	CL300		
880271	CL569	880418	CL413	9.6277	CL116	23258	CL011	46755605	CL307		
880272	CL586	880420	CL242	9.6278	CL102	23260	CL015	46776830	CL311		
880273	CL565	880421	CL415	9.6282	CL318	24106	CL005	46777286	CL301		
880274	CL152	880422	CL414	9.6284	CL315	24108	CL014	46777287	CL311		
880275	CL624	880427	CL156	9.6286	CL306	24435	CL135	46777288	CL310		
880276	CL239	880434	CL416	9.6287	CL305	24500	CL009	46790073	CL300		
880277	CL587	880435	CL157	9.6293	CL020	24997	CL111	46794782	CL321		
880278	CL323	880438	CL626	9.6294	CL519	26014	CL200	55180004	CL301		
880281	CL580	880441	CL243	9.6297	CL307	26869	CL401	55200112	CL309		
880283	CL919	FACET	TESLA	9.6298	CL217	27132	CL002	55200486	CL309		
880284	CL617	9.6004	CL316	9.6299	CL202	27168	CL023	55208723	CL309		
880287	CL026	9.6005	CL108	9.6303	CL110	27522	CL217	55209603	CL323		
880291	CL412	9.6006	CL114	9.6305	CL111	28108	CL221	55212624	CL324		
880293	CL410	9.6007	CL118	9.6314	CL607	28148	CL212	55213613	CL323		
880295	CL411	9.6008	CL304	9.6317	CL605	28465	CL019	55229959	CL326		
880297	CL706	9.6035	CL400	9.6319	CL130	28533	CL614	55231256	CL325		
880298	CL595	9.6040	CL206	9.6323	CL309	28535	CL611	55234131	CL325		
880299	CL016	9.6046	CL300	9.6325	CL017	28536	CL605	55246099	CL310		
880300	CL324	9.6048	CL313	9.6326	CL011	28538	CL606	60558152	CL302		
880301	CL913	9.6054	CL228	9.6327	CL015	28548	CL610	60562701	CL320		
880302	CL592	9.6055	CL109	9.6329	CL005	28549	CL607	60586072	CL319		
880303	CL925	9.6056	CL129	9.6331	CL009	28645	CL513	60809606	CL302		
880307	CL578	9.6058	CL308	9.6332	CL100	28657	CL519	60810690	CL320		
880311	CL582	9.6068	CL302	9.6333	CL029	28658	CL520	71739285	CL224		
880312	CL915	9.6070	CL408	9.6334	CL016	29147	CL600	71739725	CL221		
880314	CL593	9.6078	CL609	9.6335	CL023	29319	CL010	71742420	CL561		
880316	CL803	9.6088	CL107	9.6337	CL024	29412	CL004	71750222	CL236		
		9.6089	CL106	9.6342	CL310	30261	CL515				
		9.6096	CL123	9.6350	CL221						

Ignition coils – cross references
Катушки зажигания – таблицы сравнения
Zapalovací cívký – srovnávací tabulky



FIAT	TESLA	FORD	TESLA	FORD	TESLA	HITACHI (HÜCO)	TESLA	HITACHI (HÜCO)	TESLA
71768140	CL236	257G 12029 AD	CL407	YM2F12029AB	CL409	133827	CL301	138425	CL002
71768298	CL236	4M5G 12029 ZA	CL403	GM	TESLA	133828	CL014	138426	CL019
76262320	CL300	4M5G 12029 ZB	CL403	01104038	CL201	133829	CL318	138430	CL200
76487970	CL302	4M5G 12A366 BA	CL405	1104082	CL221	133830	CL022	138434	CL021
96228897	CL107	4M5G 12A366 BB	CL405	1208015	CL232	133831	CL015	138435	CL028
9604137880	CL129	4M5G 12A366 BC	CL405	1208092	CL238	133832	CL221	138437	CL030
9607405480	CL107	4M5G 12A366 BD	CL405	3474200	CL228	133833	CL616	138441	CL026
9622889780	CL107	4S7G 12029 AA	CL406	9268344	CL228	133834	CL034	138706	CL928
9633001580	CL135	4S7G 12029 AB	CL406	10450424	CL201	133837	CL711	138709	CL605
FORD	TESLA	5F2E12029 AA	CL411	10458316	CL221	133838	CL708	138710	CL607
1008464	CL021	5F2E12029 AB	CL411	10490192	CL201	133839	CL215	138711	CL611
1008886	CL400	6E5G12A366 AD	CL412	12529546	CL237	133840	CL306	138712	CL130
1008887	CL400	6E5G12A366 AE	CL412	12566569	CL239	133841	CL307	138713	CL150
1018139	CL400	6M5G12029 AA	CL410	12578224	CL237	133842	CL138	138714	CL502
1018140	CL400	88SF 12029 A1A	CL400	12583514	CL239	133843	CL133	138715	CL613
1067601	CL401	88SF 12029 A2A	CL400	12613057	CL239	133844	CL520	138717	CL802
1075786	CL401	88SF 12029 AA	CL400	12618542	CL245	133845	CL029	138718	CL524
1119835	CL409	89BF 12024 A1B	CL400	12629037	CL239	133846	CL555	138728	CL125
1130402	CL401	8SF12029A1A	CL400	12632479	CL245	133847	CL016	138729	CL126
1223293	CL407	919F 12029 AA	CL408	12635672	CL243	133848	CL023	138730	CL300
1224925	CL405	91XF 12029 AA	CL404	12638824	CL237	133849	CL314	138732	CL313
1314271	CL405	91XF 12029 BA	CL404	12787707	CL235	133850	CL707	138735	CL122
1317972	CL401	928F 12029 CA	CL400	19005277	CL234	133851	CL719	138736	CL124
1319788	CL409	938F 12024 DA	CL400	19017110	CL712	133852	CL405	138738	CL123
1322402	CL405	95VW 12029 AA	CL021	25181813	CL234	133853	CL141	138739	CL312
1331283	CL023	95WF 12029 BA	CL402	25186687	CL244	133854	CL151	138743	CL932
1350562	CL403	96FB12257AB	CL400	55350843	CL232	133855	CL229	138750	CL118
1350567	CL406	988F 12024 AB	CL401	55561655	CL233	133856	CL230	138752	CL109
1360553	CL407	988F 12029 AC	CL401	55569253	CL240	133857	CL024	138753	CL129
1362718	CL023	988F 12029 AD	CL401	55573734	CL242	133858	CL510	138754	CL108
1371601	CL410	988F12029AB	CL401	55573735	CL238	133859	CL132	138756	CL106
1404981	CL412	988F12029AD	CL409	55577946	CL242	133860	CL511	138757	CL136
1458400	CL406	988F1209AB	CL401	55579071	CL242	133861	CL305	138758	CL137
1459278	CL403	988F1209AC	CL401	55584404	CL244	133862	CL140	138759	CL128
1535713	CL309	98BF12024AB	CL401	90173708	CL232	133863	CL554	138760	CL107
1578771	CL405	9S51-12029-AA	CL309	90536194	CL203	133865	CL317	138761	CL209
1649067	CL400	9S51-12029-AB	CL309	93173708	CL232	133866	CL217	138762	CL207
1671690	CL309	AG9G-12A366-BB	CL413	93194165	CL236	133867	CL153	138764	CL116
1682188	CL413	BM5G-12A366-CA	CL414	94404545	CL513	133868	CL512	138765	CL131
1716750	CL412	BM5G-12A366-DA	CL414	94853695	CL513	133870	CL121	138766	CL102
1762724	CL414	BM5G-12A366-DB	CL414	96414260	CL234	133892	CL723	138768	CL222
1827901	CL416	CM5E-12A366-BB	CL415	96476979	CL241	133901	CL911	138780	CL206
1832313	CL414	CM5E-12A366-BC	CL415	HITACHI (HÜCO)	TESLA	133907	CL592	138781	CL205
4751265	CL411	CM5E-12A366-CA	CL415	133800	CL100	133908	CL916	138790	CL219
5008190	CL411	CM5G-12A366-CB	CL416	133801	CL310	133909	CL534	138793	CL302
5121001	CL415	E8GY-12029-B	CL559	133802	CL702	133910	CL585	138800	CL400
5153009	CL415	E8TF12029AA	CL400	133803	CL135	133911	CL510	138802	CL408
5168444	CL415	E8TZ-12029-A	CL400	133804	CL600	133914	CL535	138803	CL401
6181956	CL400	E92Z-12029-B	CL559	133805	CL004	133915	CL536	138804	CL212
6485687	CL404	E9SF 12029 AA	CL408	133806	CL005	133919	CL537	138805	CL201
6485688	CL404	E9SZ 12029 A	CL408	133807	CL003	133920	CL537	138806	CL801
6489415	CL408	E9TF-12029-AA	CL400	133808	CL011	133921	CL538	138808	CL403
6503277	CL400	F15U 12029 AA	CL408	133809	CL202	133923	CL913	138809	CL406
6503278	CL400	F1VU12029A1A	CL400	133810	CL203	133924	CL914	138810	CL569
6503279	CL400	F1VU12029A2A	CL400	133811	CL601	133925	CL915	138811	CL409
6503280	CL400	F1VY12029A	CL400	133813	CL604	133926	CL315	138812	CL501
6630365	CL408	F37Z 12029 A	CL400	133814	CL606	134015	CL244	138813	CL560
6860288	CL400	F5LU12029AA	CL400	133815	CL213	134021	CL245	138814	CL500
6860289	CL400	F5LY 12029 A	CL400	133816	CL214	134025	CL242	138825	CL559
6958305	CL408	F5OU12029AA	CL400	133817	CL110	134040	CL628	138843	CL543
7053859	CL402	F5OY12029A	CL400	133818	CL111	134042	CL627	138865	CL513
12029CA	CL400	F5OY12029B	CL400	133819	CL104	134050	CL931	138866	CL568
157G 12029 AB	CL409	F5RZ12029C	CL400	133820	CL127	134051	CL157	138868	CL578
157G 12029 AC	CL409	F5SU 12029 AA	CL408	133821	CL115	134053	CL933	HONDA	TESLA
157G12029AC	CL401	F5SZ12029A	CL408	133822	CL610	134054	CL934	30500-P0AA01	CL569
257G 12029 AB	CL407	YM21 12029 AC	CL023	133825	CL602	134055	CL930	30500-P0HA01	CL569
257G 12029 AC	CL407	YM2F12029AB	CL401	133826	CL800	138419	CL001	30500-PAAA01	CL569

Ignition coils – cross references
Катушки зажигания – таблицы сравнения
Zapalovací cívky – srovnávací tabulky



HONDA	TESLA	CHEVROLET	TESLA	KIA	TESLA	MAZDA	TESLA	MERCEDES	TESLA
30500-PCA-003	CL569	25186686	CL241	27301-02710	CL541	L813-18-100	CL906	A000 158 75 03	CL606
30500-PCAA01	CL569	55570160	CL241	27301-03110	CL904	ZJ01-18-100A	CL910	A000 158 78 03	CL605
30500-PDAA01	CL569	55575499	CL238	27301-04000	CL903	ZJ20-18-100	CL905	A000 158 79 03	CL628
30500-PDA-E01	CL569	96253555	CL220	27301-23700	CL565	ZJ20-18-100A	CL905	A000 906 00 60	CL628
30500-PM5-A02	CL500	96291054	CL216	27301-23900	CL901	ZL01-18-100	CL594	A003 158 50 01	CL021
30500-PM5-A03	CL500	96414260	CL234	27301-26640	CL595	ZL01-18-100A	CL594	A156 150 00 80	CL627
30500-PR4-A02	CL560	96453420	CL225	27301-2B010	CL584	ZL01-18-100B	CL594	A156 150 03 80	CL627
30500PTZ005	CL501	96476979	CL241	27301-2B100	CL926	ZZM0-18-100	CL400	A156 906 04 00	CL627
30510-P73-A01	CL501	96476983	CL233	27301-33510	CL532			A156 906 05 00	CL627
30510-P73-A02	CL501	CHRYSLER	TESLA	27301-33520	CL532	MERCEDES		A156 906 06 00	CL627
30510-PT2-006	CL501	4606869AA	CL721	27301-37150	CL932	000 150 02 80	CL604	A272 150 02 80	CL629
30520-P8E-A01	CL550	4606869AB	CL721	27301-3C000	CL593	000 150 13 80	CL610	A272 906 00 60	CL621
30520-P8F-A01	CL550	4609088AC	CL720	27301-3E400	CL908	000 150 19 80	CL621	A272 906 01 60	CL628
30520-P8F-A02	CL550	04609088AC	CL720	KK137-18-10X	CL558	000 150 25 80	CL622	A276 150 00 80	CL629
30520-PDF-E11	CL522	4609088AD	CL720	KK137-18-10XC	CL558	000 150 26 80	CL621	A276 906 01 60	CL629
30520-PGK-A01	CL583	04609088AD	CL720	LADA (VAZ)	TESLA	000 150 27 80	CL621	A276 906 02 60	CL629
30520-PH7-006	CL716	4609088AF	CL720	21110-3705010	CL802	000 150 28 80	CL616	MITSUBISHI	TESLA
30520-PH7-016	CL716	04609088AF	CL720	21110-3705010-03	CL802	000 158 45 03	CL609	1832A016	CL927
30520-PNA-A07	CL556	4609088AG	CL720	2111-3705010	CL802	000 158 48 03	CL609	1832A042	CL925
30520-PVF-A01	CL583	4609095AB	CL722	2111-3745010	CL802	000 158 50 03	CL609	27301-24520	CL508
30520-PWA-003	CL585	4609095AC	CL722	2112-03705010-10	CL800	000 158 50 03	CL614	H006T11471	CL925
30520-RAA-007	CL556	4609095AD	CL722	2112-3705010-02	CL801	000 158 53 03	CL609	H6T11471	CL925
30520-RCA-A02	CL550	4609095AE	CL722	2112-3705010-03	CL801	000 158 61 03	CL609	H6T15371ZC	CL240
30520-RNA-A01	CL596	4609095AF	CL722	2112-3705010-07	CL801	000 158 62 03	CL609	H6T60271	CL235
30520-RRA-007	CL556	4609095AG	CL722	2112-3705010-10	CL800	000 158 62 03	CL614	HQ808700	CL540
30521-PWA-003	CL586	4609103AB	CL706	LANCIA	TESLA	000 158 64 03	CL612	MD 104696	CL525
HYUNDAI	TESLA	04609103AB	CL706	46467542	CL318	000 158 65 03	CL613	MD 113551	CL543
27300-2E000	CL909	4797293	CL712	60558152	CL302	000 158 68 03	CL611	MD 114994	CL508
27300-39700	CL553	5234210	CL712	60809606	CL302	000 158 70 03	CL604	MD 126461	CL526
27300-3F100	CL902	5234610	CL712	76487970	CL302	000 158 71 03	CL604	MD 131711	CL543
27301-02100	CL551	5252577	CL712	9633001580	CL135	000 158 71 03	CL606	MD 158956	CL562
27301-02502	CL519	5269670	CL706	LANDROVER	TESLA	000 158 73 03	CL605	MD 160532	CL558
27301-02600	CL523	05269670	CL706	ERR 6045	CL302	000 158 75 03	CL604	MD 309455	CL907
27301-03110	CL904	05269670AB	CL706	ERR6566	CL302	000 158 75 03	CL606	MD 314582	CL928
27301-04000	CL903	53008068	CL712	LR002954	CL723	000 158 77 03	CL607	MD 314583	CL598
27301-22040	CL502	56027965	CL712	LR030637	CL415	000 158 78 03	CL605	MD 325048	CL547
27301-22050	CL502	56028138	CL709	NEC 000040	CL600	000 158 79 03	CL628	MD 361710	CL931
27301-22600	CL524	56028138AB	CL709	NEC 000070	CL702	000 906 00 60	CL628	MD 362907	CL547
27301-23003	CL503	56028138AD	CL709	NEC 000070 L	CL702	000150 15 80	CL618	MD 362913	CL549
27301-23500	CL539	56028138AE	CL709	NEC 000110 L	CL702	000150 17 80	CL616	MD 363552	CL582
27301-23510	CL539	56028138AF	CL709	NEC 000120 L	CL711	000158 72 03	CL617	MD 363552	CL597
27301-23700	CL565	56028172	CL713	NEC 101000 L	CL600	003 158 50 01	CL021	MN 195616	CL597
27301-23900	CL901	56028172AB	CL713	LEXUS	TESLA	156 150 00 80	CL627	MN 195805	CL929
27301-24510	CL508	56028172AC	CL713	90919-02246	CL921	156 150 03 80	CL627	MR 994643	CL930
27301-24520	CL508	56029129AA	CL718	90919-02255	CL920	156 906 04 00	CL627	NGK	TESLA
27301-26640	CL595	56029129AB	CL718	MAZDA	TESLA	156 906 05 00	CL627	48000	CL001
27301-2B000	CL566	56029129AF	CL718	1E05-18-100	CL400	156 906 06 00	CL627	48001	CL409
27301-2B010	CL584	56032521	CL706	1E05-18-100A	CL400	272 150 02 80	CL629	48002	CL100
27301-2B100	CL926	56032521AB	CL706	B121-18-10X	CL507	272 906 01 60	CL628	48003	CL003
27301-32800	CL525	JAGUAR	TESLA	B541-18-10XA	CL507	276 150 00 80	CL629	48004	CL221
27301-32810	CL525	JDE30294	CL415	B542-18-10XA	CL507	276 906 01 60	CL629	48005	CL005
27301-32820	CL525	KIA	TESLA	B61P-18-10XC	CL573	276 906 02 60	CL629	48006	CL202
27301-33010	CL526	0K011 18 100	CL544	B61P-18-10XD	CL573	A000 150 02 80	CL604	48007	CL130
27301-33020	CL526	0K013 18 100	CL548	B657-18-10XA	CL506	A000 150 04 80	CL611	48008	CL004
27301-37100	CL528	0K201 18 10XB	CL504	B658-18-10XA	CL506	A000 150 15 80	CL618	48009	CL600
27301-37110	CL527	0K201 18 10XC	CL504	C401-18-100A	CL403	A000 150 17 80	CL616	48010	CL002
27301-37120	CL527	0K247 18 100A	CL505	F210-18-100	CL559	A000 150 19 80	CL621	48011	CL203
27301-37150	CL932	0K2A3 18 100A	CL589	F210-18-100B	CL559	A000 150 25 80	CL622	48012	CL200
27301-38020	CL515	0K30A 18 10X	CL529	F211-18-100A	CL559	A000 150 26 80	CL621	48013	CL300
273013C000	CL593	0K30E 18 10X	CL530	FFY1-18-100	CL572	A000 150 27 80	CL621	48014	CL104
27301-3E100	CL590	0K30E 18 10XZ	CL530	FP85-18-100C	CL572	A000 150 28 80	CL616	48015	CL009
27301-3E400	CL908	0K9A2 18 10XB	CL545	FSD7-18-100	CL400	A000 150 28 80	CL616	48016	CL111
HQ808700	CL540	0K9BV 18 10X	CL531	JF01-18-100B	CL559	A000 158 62 03	CL614	48017	CL610
CHERY	TESLA	27300-2E000	CL909	L3G2-18-100A	CL599	A000 158 65 03	CL613	48018	CL606
A113705110EA	CL803	27300-3F100	CL902	L3G2-18-100A9U	CL599	A000 158 68 03	CL611	48019	CL128
CHEVROLET	TESLA	27301-26600	CL546	L3G2-18-100B	CL599	A000 158 70 03	CL604	48020	CL102
12610626	CL245	27301-02700	CL541	L3G2-18-100B9U	CL599	A000 158 71 03	CL606	48021	CL400
						A000 158 73 03	CL605	48022	CL213

Ignition coils – cross references
Катушки зажигания – таблицы сравнения
Zapalovací cívký – srovnávací tabulky



NGK	TESLA	NGK	TESLA	NGK	TESLA	NGK	TESLA	NISSAN	TESLA
48023	CL110	48087	CL021	48166	CL539	48266	CL596	22448-31U01	CL535
48024	CL605	48088	CL029	48168	CL317	48269	CL924	22448-31U05	CL536
48025	CL302	48089	CL616	48169	CL309	48270	CL589	22448-31U06	CL536
48025	CL319	48091	CL702	48170	CL523	48271	CL522	22448-31U11	CL535
48025	CL544	48092	CL118	48171	CL707	48273	CL576	22448-31U16	CL536
48026	CL116	48093	CL513	48172	CL311	48274	CL593	22448-4M500	CL510
48027	CL403	48094	CL568	48173	CL502	48275	CL908	22448-4M50A	CL510
48028	CL124	48095	CL520	48174	CL239	48278	CL564	22448-4W001	CL914
48029	CL205	48096	CL209	48175	CL316	48279	CL412	22448-4W011	CL913
48030	CL107	48098	CL500	48176	CL519	48281	CL557	22448-6N000	CL511
48031	CL135	48099	CL560	48177	CL407	48282	CL154	22448-6N002	CL511
48032	CL112	48100	CL708	48178	CL229	48284	CL152	22448-6N010	CL511
48033	CL602	48101	CL030	48179	CL550	48285	CL512	22448-6N011	CL100
48034	CL301	48102	CL314	48180	CL588	48286	CL323	22448-6N012	CL511
48035	CL023	48103	CL306	48181	CL563	48287	CL546	22448-6N015	CL511
48036	CL601	48104	CL307	48183	CL533	48288	CL530	22448-8H300	CL592
48037	CL006	48105	CL578	48184	CL579	48289	CL225	22448-8H310	CL592
48038	CL010	48106	CL222	48185	CL706	48290	CL541	22448-8H311	CL592
48039	CL019	48107	CL555	48187	CL612	48291	CL548	22448-8H314	CL592
48041	CL015	48108	CL150	48189	CL526	48292	CL585	22448-8H315	CL592
48042	CL011	48111	CL569	48190	CL126	48293	CL586	22448-8J110	CL915
48043	CL214	48112	CL559	48192	CL230	48294	CL505	22448-8J111	CL915
48044	CL406	48113	CL508	48193	CL210	48295	CL556	22448-8J115	CL915
48045	CL127	48114	CL007	48194	CL709	48296	CL529	22448-8J11C	CL915
48046	CL318	48115	CL609	48201	CL534	48297	CL571	22448-AR210	CL916
48047	CL022	48116	CL542	48202	CL570	48309	CL012	22448-AR215	CL916
48048	CL028	48117	CL509	48203	CL713	48311	CL613	22448-AX001	CL534
48049	CL026	48118	CL402	48204	CL712	48312	CL802	22448-ED000	CL911
48050	CL611	48119	CL404	48205	CL232	48313	CL553	22448-ED800	CL554
48051	CL115	48121	CL313	48206	CL603	48314	CL553	22448-ED800EP	CL554
48052	CL312	48122	CL510	48207	CL622	48315	CL551	22448-EN200	CL911
48053	CL219	48123	CL122	48208	CL572	48316	CL532	22448-JA00A	CL911
48054	CL501	48124	CL151	48209	CL524	48317	CL597	22448-JA00C	CL911
48055	CL711	48126	CL217	48210	CL549	48322	CL721	OPEL	TESLA
48056	CL207	48127	CL121	48211	CL907	48333	CL538	1103872	CL200
48057	CL206	48128	CL710	48216	CL623	48334	CL617	1103905	CL200
48058	CL101	48129	CL204	48221	CL625	48335	CL324	1208002	CL205
48058	CL137	48131	CL618	48225	CL547	48336	CL800	1208003	CL206
48059	CL700	48132	CL114	48226	CL592	48337	CL621	1208004	CL205
48060	CL123	48133	CL615	48227	CL917	48338	CL624	1208007	CL209
48061	CL310	48134	CL515	48228	CL598	48347	CL911	1208008	CL203
48062	CL108	48135	CL218	48229	CL599	48351	CL916	1208010	CL212
48063	CL405	48136	CL315	48230	CL565	48356	CL537	1208012	CL214
48064	CL304	48138	CL125	48234	CL008	48357	CL543	1208020	CL215
48065	CL016	48139	CL511	48235	CL575	48372	CL932	1208021	CL221
48066	CL109	48140	CL410	48237	CL719	48398	CL930	1208022	CL228
48067	CL106	48141	CL211	48239	CL584	48407	CL244	1208026	CL224
48068	CL103	48142	CL220	48240	CL577	NISSAN	TESLA	1208028	CL217
48068	CL136	48146	CL224	48241	CL153	22433-0B000	CL509	1208031	CL228
48069	CL228	48147	CL619	48242	CL594	22433-51J10	CL509	1208048	CL205
48070	CL201	48148	CL507	48243	CL536	22433-53J20	CL509	1208051	CL201
48071	CL138	48149	CL305	48244	CL535	22433-55S10	CL509	1208053	CL208
48072	CL133	48150	CL020	48245	CL566	22433-56E11	CL509	1208054	CL206
48073	CL132	48151	CL226	48247	CL595	22433-56E12	CL509	1208063	CL200
48074	CL120	48152	CL525	48248	CL580	22433-8J115	CL915	1208065	CL219
48075	CL140	48153	CL216	48249	CL527	22448-00QAA	CL100	1208068	CL210
48076	CL141	48154	CL320	48250	CL573	22448-00QAC	CL100	1208070	CL206
48077	CL139	48155	CL521	48251	CL531	22448-00QAC	CL116	1208071	CL207
48078	CL131	48156	CL119	48252	CL590	22448-00QAE	CL100	1208075	CL222
48079	CL408	48157	CL561	48253	CL504	22448-00QAH	CL100	1208086	CL233
48080	CL212	48158	CL506	48254	CL591	22448-1F700	CL521	1208087	CL245
48081	CL801	48159	CL223	48256	CL234	22448-1KCOA	CL900	1208089	CL237
48082	CL014	48160	CL503	48257	CL920	22448-1KTOA	CL912	1208091	CL242
48083	CL215	48161	CL321	48258	CL587	22448-2Y000	CL537	1208093	CL238
48084	CL800	48162	CL554	48259	CL720	22448-2Y001	CL537	1208094	CL242
48085	CL607	48163	CL105	48262	CL722	22448-2Y005	CL538	1208096	CL238
48086	CL411	48165	CL024	48265	CL718	22448-31U00	CL535	1208098	CL244

Ignition coils – cross references
Катушки зажигания – таблицы сравнения
Zapalovací cívký – srovnávací tabulky



PEL	TESLA	PORSCHE	TESLA	PSA	TESLA	RENAULT	TESLA	SKODA	TESLA
1208109	CL240	90660210301	CL625	96228897	CL107	8200051128	CL130	6N0 905 104	CL001
1208117	CL243	94860210400	CL620	96246755	CL110	8200051128	CL149	SMART	TESLA
1208209	CL229	94860210401	CL620	96281585	CL110	8200084401	CL130	000 3100 V003	CL607
1208210	CL230	94860210403	CL620	96292106	CL115	8200141149	CL131	000 3100 V004	CL607
1208213	CL223	94860210405	CL620	96341314	CL112	8200154186	CL100	000 3100 V005	CL607
1208306	CL213	94860210407	CL620	96358648	CL111	8200154186A	CL100	C 000 3100 V003	CL607
1208307	CL202	94860210408	CL620	96358649	CL111	8200208611	CL100	C 000 3100 V004	CL607
1208551	CL224	94860210409	CL620	96362683	CL135	8200360911	CL134	C 000 3100 V005	CL607
1208553	CL224	95560210105	CL016	96363378	CL104	8200360911	CL149	SMP	TESLA
4408389	CL100	95890511000	CL032	97530780	CL108	8200380267	CL100	12010	CL228
4413223	CL100	95960250200	CL612	97531206	CL114	8200405098	CL100	12101	CL031
4413233	CL100	99660210101	CL625	1607576780	CL929	8200568671	CL100	12102	CL032
4709290	CL236	99660210200	CL625	9467511580	CL120	8200699627	CL153	12106	CL033
4802236	CL237	99660210400	CL625	9603528480	CL109	8200702693	CL134	12107	CL237
4805094	CL237	99760210700	CL625	9611412080	CL105	8200702693	CL149	12108	CL236
6235037	CL218	PSA	TESLA	9616597080	CL106	8200702693	CL150	12116	CL911
6235124	CL226	5963.18	CL113	9621308680	CL127	8200713680	CL149	12127	CL927
9118114	CL229	5963.19	CL111	9624675580	CL110	8200726341	CL152	12128	CL241
9118115	CL230	5970.42	CL114	9628158580	CL110	8200734204	CL149	12129	CL155
9119567	CL203	5970.43	CL108	9633001580	CL135	8200765882	CL100	12130	CL325
9153250	CL226	5970.45	CL109	9634131480	CL112	8200959964	CL152	12132	CL413
9195819	CL223	5970.47	CL129	9636337880	CL104	8201154128	CL155	12133	CL932
9198834	CL218	5970.48	CL107	9636997880	CL104	9633001580	CL135	12141	CL628
10457075	CL200	5970.49	CL106	9644190980	CL154	ROVER	TESLA	12143	CL629
10457870	CL212	5970.50	CL105	9651710680	CL151	GCL 161	CL500	12144	CL931
10458316	CL221	5970.51	CL113	9654347080	CL120	GCL 195	CL501	12149	CL929
12567686	CL224	5970.53	CL302	9664401880	CL135	GCL 201	CL700	12151	CL933
12569342	CL224	5970.55	CL132	9671214580	CL157	GCL 204	CL106	12154	CL244
12580537	CL224	5970.56	CL127	9675390980	CL158	GCL 207	CL569	12156	CL240
12787707	CL235	5970.57	CL140	9800251580	CL156	GCL 307	CL600	12165	CL926
19005212	CL202	5970.60	CL107	V7 562 744	CL603	GCL145	CL716	12166	CL242
24420584	CL215	5970.64	CL603	V7 571 64380	CL603	GCL146	CL716	12167	CL930
24420622	CL217	5970.70	CL107	RENAULT	TESLA	NEC000040	CL600	12168	CL934
55577898	CL238	5970.72	CL110	22448-1KC0A	CL900	NEC000070	CL702	12169	CL157
55579072	CL238	5970.73	CL115	224332428R	CL155	NEC000110	CL702	12170	CL156
90350021	CL208	5970.74	CL110	224337085R	CL152	NEC000120	CL711	12171	CL415
90350987	CL208	5970.75	CL112	2526180A	CL100	NEC000130	CL708	12172	CL414
90358386	CL210	5970.77	CL135	215952732	CL100	NEC100530	CL501	12175	CL245
90369434	CL208	5970.78	CL111	708633020-7	CL103	NEC100630	CL700	12176	CL243
90424480	CL218	5970.79	CL111	7401275174	CL119	NEC100730	CL711	12178	CL627
90443900	CL219	5970.80	CL104	7700100589	CL128	NEC100730L	CL711	12182	CL158
90444184	CL210	5970.81	CL141	7700100643	CL102	NEC100750	CL569	12183	CL416
90449572	CL219	5970.84	CL133	7700107177	CL100	NEC100870	CL708	12203	CL206
90449739	CL206	5970.85	CL151	7700107269	CL123	NEC101000	CL600	12300	CL146
90449740	CL205	5970.87	CL138	7700113357	CL100	NEC101000L	CL600	12302	CL108
90458250	CL207	5970.88	CL555	7700113357A	CL100	SAAB	TESLA	12303	CL114
90492255	CL209	5970.90	CL120	7700274008	CL116	4226031	CL208	12304	CL109
90510386	CL206	5970.92	CL139	7700749450	CL122	4770046	CL210	12306	CL118
90510387	CL205	5970.94	CL135	7700854306	CL124	5171111	CL208	12400	CL584
90511450	CL209	5970.95	CL154	7700854307	CL125	9178955	CL710	12401	CL577
90532618	CL213	5970.96	CL927	7700858320	CL126	9197559	CL705	12402	CL153
90536194	CL203	5970.97	CL120	7700863020	CL136	12632479	CL245	12403	CL594
90541062	CL222	5970.98	CL112	7700863021	CL137	12787707	CL235	12404	CL536
90543059	CL213	5970.A0	CL138	7700865923	CL136	55559955	CL705	12405	CL535
90543253	CL214	5970.A4	CL115	7700872265	CL124	55561132	CL710	12406	CL566
90560110	CL214	5970.A5	CL133	7700872449	CL131	55562588	CL705	12408	CL595
90563160	CL222	5970.A8	CL111	7700872692	CL125	SEAT	TESLA	12409	CL553
90564334	CL223	5970.A9	CL110	7700872693	CL126	032 905 106 B	CL002	12410	CL580
90584336	CL229	94632641	CL112	7700872834	CL131	867 905 104	CL001	12413	CL527
90584337	CL230	96010513	CL108	7700873701	CL131	SKODA	TESLA	12414	CL573
91159996	CL100	96035284	CL109	7700875000	CL100	004 050 016	CL001	12416	CL558
93172030	CL226	96041378	CL129	7701021954	CL146	032 905 106 B	CL002	12417	CL017
93177212	CL215	96062288	CL106	7701029799	CL146	047 905 104	CL008	12418	CL531
93180806	CL217	96074054	CL107	7701031135	CL118	047 905 104 A	CL007	12419	CL590
PORSCHE	TESLA	96211048	CL113	7701041607	CL103	047 905 104 B	CL007	12420	CL504
90660210101	CL625	96213086	CL127	7701041608	CL101	047 905 115	CL013	12421	CL551
90660210200	CL625	96213181	CL132	8200025256	CL130	115 914 010	CL012	12422	CL545

Ignition coils – cross references

Катушки зажигания – таблицы сравнения

Zapalovací cívky – srovnávací tabulky



SMP	TESLA	SMP	TESLA	SMP	TESLA	SMP	TESLA	SUZUKI	TESLA
12423	CL532	12680	CL125	12773	CL702	12857	CL622	33400-51K10	CL236
12424	CL591	12681	CL126	12774	CL520	12858	CL151	33400-65G00	CL561
12426	CL234	12683	CL525	12776	CL008	12860	CL561	33400-65G01	CL561
12428	CL411	12700	CL312	12777	CL521	12861	CL412	33400-65G02	CL561
12430	CL920	12701	CL136	12778	CL009	12864	CL572	33400-76G00	CL923
12431	CL723	12702	CL137	12779	CL211	12865	CL547	33400-76G01	CL923
12432	CL587	12707	CL700	12782	CL405	12866	CL555	33400-76G11	CL923
12433	CL720	12709	CL519	12783	CL011	12867	CL592	33400-76G20	CL923
12437	CL722	12710	CL615	12784	CL224	12868	CL575	33400-76G21	CL923
12440	CL718	12711	CL100	12785	CL311	12869	CL524	33400-76G30	CL923
12441	CL596	12712	CL209	12788	CL023	12870	CL917	33400-78J02	CL245
12446	CL924	12713	CL222	12789	CL309	12871	CL598	33400-81A00	CL923
12447	CL597	12714	CL401	12790	CL016	12872	CL928	33410-57B10	CL588
12449	CL589	12715	CL409	12791	CL024	12873	CL599	33410-57B10-000	CL588
12450	CL522	12716	CL306	12792	CL034	12874	CL565	33410-66D00	CL533
12454	CL576	12717	CL305	12793	CL216	12876	CL549	33410-66D01	CL533
12457	CL593	12719	CL110	12794	CL138	12877	CL557	33410-66D10	CL533
12458	CL908	12720	CL111	12795	CL139	12878	CL150	33410-77E11	CL512
12467	CL409	12721	CL214	12796	CL120	12879	CL154	33410-77E20	CL557
12469	CL721	12722	CL213	12797	CL217	12882	CL152	33410-77E21	CL557
12473	CL719	12723	CL202	12798	CL511	12883	CL512	33410-77E22	CL557
12477	CL914	12724	CL203	12799	CL121	12884	CL323	33410-80C10	CL588
12478	CL913	12725	CL130	12800	CL218	12885	CL546		
12481	CL915	12726	CL010	12801	CL600	12886	CL530	TOYOTA	TESLA
12482	CL538	12727	CL003	12802	CL221	12887	CL225	19500-74040	CL578
12484	CL617	12728	CL005	12803	CL407	12888	CL541	19500-74050	CL578
12486	CL324	12729	CL314	12804	CL230	12889	CL621	90048-52126	CL922
12498	CL233	12730	CL315	12805	CL229	12890	CL624	90080-19005	CL514
12589	CL128	12731	CL113	12806	CL210	12891	CL548	90080-19005 00	CL514
12596	CL116	12732	CL127	12807	CL406	12892	CL326	90080-19015	CL555
12598	CL219	12733	CL014	12808	CL539	12893	CL585	90080-19016	CL571
12601	CL304	12734	CL201	12809	CL534	12894	CL586	90080-19017	CL542
12604	CL316	12735	CL510	12810	CL533	12895	CL029	90080-19017 00	CL542
12605	CL308	12736	CL604	12811	CL220	12896	CL505	90080-19019	CL555
12606	CL004	12737	CL301	12812	CL515	12897	CL556	90080-19021	CL520
12607	CL102	12738	CL404	12813	CL526	12898	CL529	90080-19022	CL579
12610	CL509	12739	CL711	12814	CL503	12899	CL571	90080-19023	CL579
12611	CL559	12740	CL007	12815	CL502	12898	CL529	90080-19027	CL575
12613	CL107	12741	CL310	12816	CL523	12899	CL571	9019-02163	CL568
12614	CL400	12742	CL204	12817	CL618	12916	CL001	9019-02164	CL513
12615	CL543	12743	CL317	12818	CL410	12917	CL200	9019-02185	CL574
12616	CL106	12744	CL318	12819	CL542	12918	CL019	9019-02197	CL578
12617	CL508	12745	CL307	12820	CL616	12919	CL002	9019-02197	CL578
12618	CL500	12747	CL112	12821	CL015	12921	CL119	9019-02208	CL578
12619	CL300	12748	CL212	12822	CL708	12922	CL021	9019-02212	CL580
12620	CL313	12749	CL104	12823	CL705	12923	CL030	9019-02217	CL919
12622	CL601	12750	CL115	12825	CL579	12924	CL028	9019-02218	CL919
12623	CL302	12751	CL607	12828	CL570	SSANG YONG	TESLA	9019-02223	CL575
12624	CL506	12752	CL710	12829	CL321	00015 87003	CL606	9019-02234	CL571
12626	CL205	12753	CL611	12830	CL022	0001587503	CL604	9019-02237	CL576
12635	CL408	12754	CL020	12831	CL226	SUBARU	TESLA	9019-02238	CL577
12637	CL319	12755	CL132	12832	CL554	22433-AA240	CL570	9019-02239	CL555
12639	CL609	12756	CL133	12833	CL623	22433-AA370	CL570	9019-02240	CL520
12646	CL123	12757	CL569	12836	CL706	22433-AA410	CL591	9019-02243	CL579
12648	CL568	12758	CL602	12837	CL713	22433-AA418	CL934	9019-02244	CL579
12649	CL513	12759	CL223	12838	CL709	22433-AA41A	CL591	9019-02246	CL921
12651	CL588	12760	CL610	12837	CL713	22433-AA41B	CL591	9019-02247	CL564
12652	CL578	12761	CL215	12838	CL709	22433-AA41B	CL591	9019-02248	CL564
12657	CL716	12762	CL402	12842	CL712	22433-AA441	CL933	9019-02250	CL924
12659	CL501	12764	CL131	12842	CL712	22433-AA441	CL933	9019-02251	CL920
12660	CL560	12765	CL140	12843	CL239	22433-AA451	CL917	9019-02252	CL581
12662	CL122	12766	CL135	12845	CL232	22433-AA480	CL934	9019-02256	CL924
12667	CL507	12767	CL141	12846	CL603	22433-AA531	CL933	9019-02256	CL924
12669	CL563	12768	CL605	12847	CL707	22433-AA540	CL934	9019-A2001	CL564
12672	CL907	12769	CL320	12847	CL707	22433-AA550	CL917	9019-A2002	CL920
12678	CL207	12770	CL105	12848	CL619	22433-AA550	CL917	9019-A2002	CL920
12679	CL124	12772	CL403	12848	CL619	22433-AA570	CL591	9019-A2004	CL920
				12849	CL235	22433-AA57A	CL591	9019-A2005	CL924
				12850	CL564	22433-AA640	CL934	9019-C2002	CL564
				12851	CL006	22443-AA530	CL933	9019-T2002	CL555
				12852	CL625	SUZUKI		9019-T2003	CL520
				12855	CL550	33400-50F20	CL923		

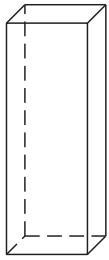
Ignition coils – cross references
Катушки зажигания – таблицы сравнения
Zapalovací cívky – srovnávací tabulky



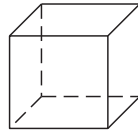
VAG	TESLA	VALEO	TESLA	VALEO	TESLA	VW	TESLA	VW	TESLA
021 9051 06B	CL030	245064	CL018	245163	CL009	036 905 100D	CL003	07C 905 715E	CL022
0219 05 106C	CL030	245066	CL136	245164	CL011	036 905 715	CL003	07C 905 715F	CL022
04C 905 110B	CL031	245067	CL137	245167	CL501	036 905 715A	CL003	07C 905 715H	CL022
04C 905 110D	CL031	245076	CL103	245169	CL604	036 905 715C	CL003	191 905 115A	CL018
04C 905 110H	CL031	245077	CL101	245169	CL606	036 905 715E	CL003	211 905 115D	CL018
04E 905 110	CL031	245079	CL131	245170	CL204	036 905 715F	CL003	310 880 01	CL021
04E 905 110A	CL031	245080	CL609	245171	CL611	036 905 715G	CL003	357 905 104	CL001
04E 905 110B	CL031	245085	CL132	245174	CL520	03D 905 115A	CL009	701 905 104	CL019
066 905 100.	CL024	245086	CL127	245175	CL121	03D 905 115B	CL009	701 905 104A	CL019
066 905 100B	CL024	245087	CL601	245177	CL561	03D 905 115C	CL009	811 905 115	CL018
066 905 100C	CL024	245088	CL140	245178	CL555	03D 905 115D	CL009	867 905 104A	CL001
066 905 100D	CL024	245092	CL001	245179	CL200	03D 905 115E	CL009	867 905 105A	CL019
066 905 100G	CL024	245093	CL019	245184	CL406	03D 905 115F	CL009		
06C 905 115 E	CL015	245094	CL135	245312	CL156	03D 905 115G	CL009		
06D 905 115	CL015	245095	CL104	VOLVO	TESLA	058 905 101	CL004		
06D 905 115A	CL015	245096	CL141	1275174	CL119	058 905 101A	CL028		
06D 905 115C	CL015	245097	CL111	1275602	CL707	058 905 105	CL004		
06D 905 115D	CL015	245098	CL112	1275971	CL719	058 905 105A	CL028		
06D 905 115F	CL015	245099	CL115	30684245	CL723	06A 905 097	CL010		
06D 905 115K	CL015	245100	CL133	30684245-0	CL723	06A 905 104	CL010		
06D 905 115L	CL015	245101	CL138	30713416	CL121	06A 905 115	CL005		
06D 9051 15G	CL015	245102	CL139	30713417	CL410	06A 905 115A	CL005		
06E 905 115	CL015	245103	CL120	30731416	CL403	06A 905 115B	CL005		
06E 905 115 A	CL015	245104	CL100	30731419	CL403	06A 905 115C	CL005		
06E 905 115 B	CL015	245105	CL116	31216444	CL403	06B 905 105	CL014		
06E 905 115 C	CL015	245106	CL128	31216444 AA	CL403	06B 905 115	CL014		
06E 905 115 D	CL015	245107	CL102	31316353	CL413	06B 905 115D	CL005		
06E 905 115 E	CL015	245108	CL203	31339210	CL414	06B 905 115G	CL005		
06F 905 115	CL011	245109	CL110	31375550	CL414	06B 905 115H	CL005		
06F 905 115 A	CL011	245111	CL300	31422117	CL414	06B 905 115J	CL005		
06F 905 115 B	CL011	245115	CL125	3287677	CL118	06B 905 115L	CL005		
06F 905 115 C	CL011	245116	CL301	32876773	CL118	06B 905 115M	CL005		
06F 905 115 E	CL011	245117	CL310	70863020	CL136	06B 905 115N	CL005		
06F 905 115 F	CL011	245118	CL311	70863020-7	CL136	06B 905 115R	CL005		
06H 905 110D	CL032	245119	CL208	70863021	CL137	06B 905 115S	CL005		
06H 905 110E	CL032	245121	CL702	70863021-5	CL137	06B 905 115T	CL005		
06H 905 110F	CL032	245122	CL122	8677837	CL410	06B 905 115B	CL014		
06J 905 110C	CL032	245123	CL313	9125601	CL121	06B 905 115E	CL014		
06J 905 110D	CL032	245124	CL304	9146776	CL719	06C 905 115A	CL034		
06L 905 110C	CL032	245127	CL105	VW	TESLA	06C 905 115B	CL034		
06L 905 110D	CL032	245129	CL124	021 905 106	CL021	06C 905 115D	CL034		
077 905 115AA	CL017	245130	CL700	021 905 106A	CL021	06C 905 115E	CL034		
077 905 115G	CL017	245134	CL312	022 905 100B	CL016	06C 905 115F	CL034		
077 905 115J	CL017	245135	CL309	022 905 100E	CL016	06C 905 115G	CL034		
077 905 115M	CL017	245136	CL008	022 905 100H	CL016	06C 905 115H	CL034		
077 905 115R	CL017	245137	CL007	022 905 100L	CL016	06C 905 115K	CL034		
077 905 115S	CL017	245138	CL123	022 905 100P	CL016	06C 905 115L	CL034		
07K 905 715	CL011	245139	CL401	022 905 100S	CL016	06C 905 115M	CL034		
07K 905 715 C	CL011	245141	CL003	022 905 100T	CL016	6N0 905 104	CL001		
07K 905 715 D	CL011	245142	CL005	022 905 100A	CL023	071 905 106	CL020		
07K 905 715 F	CL011	245144	CL219	022 905 100D	CL023	077 905 115AB	CL029		
J9091902197	CL578	245146	CL004	022 905 100G	CL023	077 905 115B	CL029		
VALEO	TESLA	245147	CL600	022 905 100K	CL023	077 905 115C	CL029		
245001	CL114	245148	CL302	022 905 100N	CL023	077 905 115E	CL029		
245022	CL146	245149	CL306	022 905 715	CL016	077 905 115F	CL029		
245027	CL108	245150	CL305	022 905 715A	CL016	077 905 115H	CL029		
245038	CL129	245151	CL213	022 905 715B	CL016	077 905 115K	CL029		
245039	CL109	245152	CL215	022 905 715C	CL023	077 905 115P	CL029		
245040	CL107	245153	CL320	032 905 106	CL002	077 905 115Q	CL029		
245041	CL106	245154	CL202	032 905 106B	CL002	077 905 115T	CL029		
245042	CL206	245155	CL317	032 905 106D	CL002	078 905 101	CL006		
245043	CL205	245156	CL318	032 905 106E	CL002	078 905 101A	CL006		
245046	CL113	245157	CL307	034 905 101.	CL033	078 905 104	CL006		
245052	CL308	245158	CL217	034 905 105.	CL033	07C 905 115J	CL022		
245054	CL118	245159	CL002	036 905 100A	CL003	07C 905 715	CL022		
245057	CL207	245160	CL400	036 905 100B	CL003	07C 905 715C	CL022		
245063	CL228	245162	CL134	036 905 100C	CL003	07C 905 715D	CL022		

ACURA	CL500	CITROEN	CL127	FIAT	CL324	HYUNDAI	CL566	KIA	CL566
ALFA ROMEO	CL221		CL129		CL325		CL584		CL584
	CL226		CL132		CL326		CL590		CL589
	CL300		CL133		CL561		CL593		CL590
	CL302		CL135		CL721		CL595		CL593
	CL305		CL138	FORD	CL021		CL901		CL595
	CL306		CL139		CL023		CL902		CL901
	CL307		CL140		CL309		CL903		CL902
	CL309		CL141		CL400		CL904		CL903
	CL310		CL151		CL401		CL908		CL904
	CL319		CL156		CL402		CL909		CL908
	CL320		CL157		CL403		CL926		CL926
	CL321		CL158		CL404		CL932		CL932
	CL323		CL302		CL405	CHEVROLET	CL201	LADA (VAZ)	CL100
	CL324		CL555		CL406		CL216		CL116
	CL325		CL603		CL407		CL220		CL800
	CL326		CL927		CL408		CL225		CL801
AUDI	CL001		CL929		CL409		CL233		CL802
	CL002	DACIA	CL100		CL410		CL234	LANCIA	CL107
	CL003		CL116		CL411		CL237		CL135
	CL004		CL117		CL412		CL238		CL300
	CL005		CL150		CL413		CL241		CL302
	CL006		CL155		CL414		CL245		CL303
	CL011	DAEWOO	CL201		CL415	CHRYSLER	CL605		CL304
	CL014		CL204		CL416		CL706		CL308
	CL015		CL211	FSO	CL302		CL712		CL309
	CL016		CL216	GAZ	CL801		CL718		CL310
	CL017		CL220	GEELY	CL803		CL720		CL312
	CL019		CL225	HONDA	CL500		CL721		CL313
	CL022		CL231		CL501		CL722		CL314
	CL026		CL606		CL522	INFINITI	CL509		CL315
	CL028	DAIHATSU	CL555		CL550		CL535		CL317
	CL029		CL563		CL556		CL536		CL318
	CL031		CL587		CL560		CL913		CL320
	CL032		CL907		CL569		CL914		CL323
	CL033		CL922		CL583		CL916		CL325
	CL034	FIAT	CL107		CL585	JAGUAR	CL415		CL326
BMW	CL600		CL112		CL586	JEEP	CL706	LANDROVER	CL302
	CL601		CL135		CL596		CL709		CL415
	CL602		CL200		CL716		CL712		CL600
	CL603		CL221	HYUNDAI	CL502		CL713		CL702
	CL615		CL224		CL503		CL718		CL711
	CL619		CL236		CL508	KIA	CL302		CL723
	CL623		CL300		CL515		CL504	LEXUS	CL571
	CL624		CL301		CL519		CL505		CL574
	CL626		CL302		CL523		CL515		CL575
CADILLAC	CL245		CL303		CL524		CL528		CL578
CITROEN	CL104		CL304		CL525		CL529		CL920
	CL105		CL308		CL526		CL530		CL921
	CL106		CL309		CL527		CL531		CL924
	CL107		CL310		CL528		CL532	MAZDA	CL400
	CL108		CL311		CL532		CL541		CL401
	CL109		CL312		CL539		CL544		CL403
	CL110		CL313		CL540		CL545		CL405
	CL111		CL314		CL541		CL546		CL506
	CL112		CL315		CL546		CL548		CL507
	CL113		CL316		CL551		CL552		CL559
	CL114		CL317		CL552		CL553		CL572
	CL115		CL318		CL558		CL558		CL573
	CL120		CL323		CL565		CL565		CL594

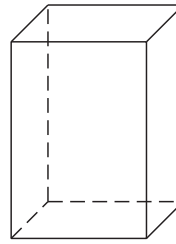
MAZDA	CL599	NISSAN	CL554	PEUGEOT	CL120	ROVER	CL716	TAGAZ	CL606
	CL905		CL558		CL127	SAAB	CL203	TOYOTA	CL513
	CL906		CL592		CL129		CL208		CL514
	CL910		CL900		CL132		CL210		CL520
MERCEDES	CL021		CL911		CL133		CL235		CL542
	CL604		CL912		CL135		CL237		CL555
	CL605		CL913		CL138		CL239		CL564
	CL606		CL914		CL139		CL245		CL568
	CL609		CL915		CL140		CL705		CL571
	CL610	OPEL (VAUXHALL)	CL100		CL141		CL710		CL574
	CL611		CL200		CL151	SEAT	CL001		CL575
	CL612		CL201		CL154		CL002		CL576
	CL613		CL202		CL156		CL003		CL577
	CL614		CL203		CL157		CL004		CL578
	CL616		CL205		CL158		CL005		CL579
	CL617		CL206		CL302		CL007		CL580
	CL618		CL207		CL555		CL009		CL581
	CL621		CL208		CL603		CL011		CL919
	CL622		CL209		CL927		CL018		CL924
	CL627		CL210	PORSCHE	CL016		CL019	VOLVO	CL118
	CL628		CL212		CL032		CL020		CL119
	CL629		CL213		CL620		CL023		CL121
MG	CL700		CL214		CL625		CL030		CL136
	CL702		CL215	PROTON	CL302		CL031		CL137
	CL708		CL217	RENAULT	CL100		CL032		CL403
	CL711		CL218		CL101	SKODA	CL001		CL405
MINI	CL603		CL219		CL102		CL002		CL410
	CL626		CL220		CL103		CL003		CL413
	CL706		CL221		CL116		CL004		CL707
MITSUBISHI	CL502		CL222		CL118		CL005		CL719
	CL508		CL223		CL119		CL006		CL723
	CL525		CL224		CL122		CL007	VW	CL001
	CL526		CL226		CL123		CL008		CL002
	CL532		CL228		CL124		CL009		CL003
	CL543		CL229		CL125		CL010		CL004
	CL547		CL230		CL126		CL011		CL005
	CL549		CL232		CL128		CL012		CL006
	CL558		CL233		CL130		CL013		CL007
	CL562		CL235		CL131		CL016		CL009
	CL582		CL236		CL134		CL031		CL010
	CL597		CL237		CL135		CL032		CL011
	CL598		CL238		CL136	SMART	CL597		CL014
	CL907		CL239		CL137		CL607		CL015
	CL925		CL240		CL140	SSANG YONG	CL606		CL016
	CL927		CL242		CL146	SUBARU	CL555		CL017
	CL928		CL243		CL149		CL561		CL018
	CL929		CL244		CL150		CL570		CL019
	CL930		CL245		CL152		CL591		CL020
	CL931	PEUGEOT	CL104		CL153		CL917		CL021
NISSAN	CL100		CL105		CL155		CL933		CL022
	CL116		CL106		CL900		CL934		CL023
	CL509		CL107	ROVER	CL106		SUZUKI		CL024
	CL510		CL108		CL500		CL236		CL028
	CL511		CL109		CL501		CL245		CL030
	CL521		CL110		CL569		CL512		CL031
	CL534		CL111		CL600		CL533		CL032
	CL535		CL112		CL700		CL557		CL578
	CL536		CL113		CL702		CL559		CL604
	CL537		CL114		CL708		CL561	ZAZ	CL201
	CL538		CL115		CL711		CL588		
							CL923		



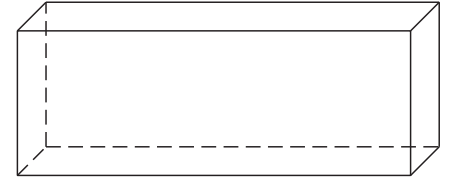
Box 1: 70x45x200 mm



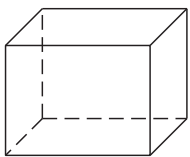
Box 2: 85x78x80 mm



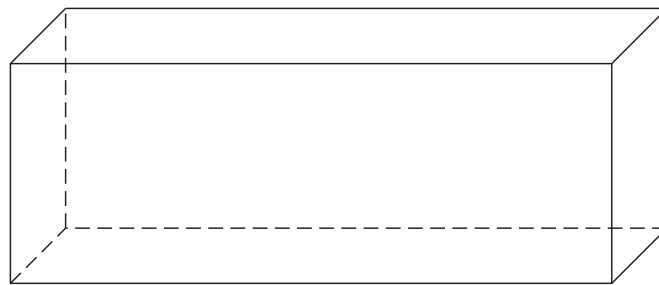
Box 3: 117x90x170 mm



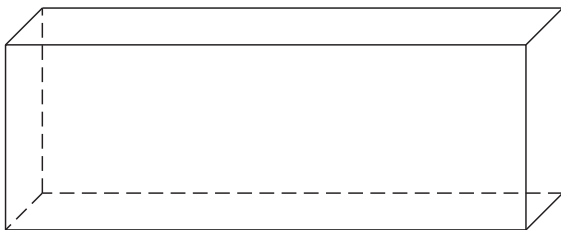
Box 4: 340x70x125 mm



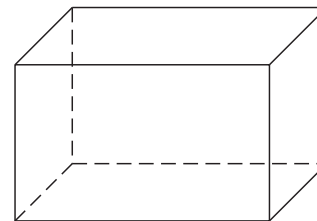
Box 5: 125x90x95 mm



Box 6: 520x135x190 mm



Box 7: 450x90x160 mm



Box 8: 220x140x135 mm

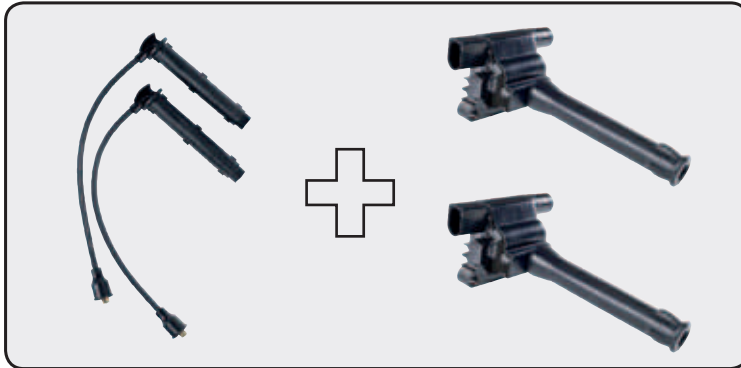
CL001	Box 2	CL021	Box 3	CL108	Box 5	CL128	Box 2	CL154	Box 4
CL002	Box 5	CL022	Box 1	CL109	Box 5	CL129	Box 5	CL155	Box 3
CL003	Box 1	CL023	Box 1	CL110	Box 4	CL130	Box 8	CL156	Box 7
CL004	Box 3	CL024	Box 1	CL111	Box 4	CL131	Box 5	CL157	Box 3
CL005	Box 1	CL026	Box 8	CL112	Box 7	CL132	Box 5	CL158	Box 3
CL006	Box 8	CL028	Box 3	CL113	Box 6	CL133	Box 7	CL200	Box 3
CL007	Box 4	CL029	Box 1	CL114	Box 5	CL134	Box 8	CL201	Box 5
CL008	Box 4	CL030	Box 8	CL115	Box 6	CL135	Box 5	CL202	Box 7
CL009	Box 1	CL031	Box 3	CL116	Box 5	CL136	Box 2	CL203	Box 7
CL010	Box 3	CL032	Box 3	CL117	Box 3	CL137	Box 2	CL204	Box 5
CL011	Box 1	CL033	Box 3	CL118	Box 5	CL138	Box 7	CL205	Box 5
CL012	Box 3	CL034	Box 1	CL119	Box 3	CL139	Box 7	CL206	Box 5
CL013	Box 3	CL100	Box 1	CL120	Box 7	CL140	Box 7	CL207	Box 5
CL014	Box 3	CL101	Box 2	CL121	Box 5	CL141	Box 7	CL208	Box 3
CL015	Box 1	CL102	Box 2	CL122	Box 3	CL146	Box 5	CL209	Box 3
CL016	Box 1	CL103	Box 2	CL123	Box 2	CL149	Box 8	CL210	Box 3
CL017	Box 1	CL104	Box 7	CL124	Box 2	CL150	Box 5	CL211	Box 5
CL018	Box 5	CL105	Box 1	CL125	Box 2	CL151	Box 7	CL212	Box 5
CL019	Box 2	CL106	Box 5	CL126	Box 2	CL152	Box 3	CL213	Box 4
CL020	Box 8	CL107	Box 5	CL127	Box 7	CL153	Box 3	CL214	Box 4

Ignition coils - packing
Катушки зажигания - упаковка
Zapalovací cívky - balení



CL215	Box 4	CL323	Box 3	CL534	Box 3	CL587	Box 3	CL713	Box 2
CL216	Box 3	CL324	Box 1	CL535	Box 4	CL588	Box 2	CL716	Box 5
CL217	Box 4	CL325	Box 3	CL536	Box 3	CL589	Box 3	CL718	Box 3
CL218	Box 7	CL326	Box 3	CL537	Box 1	CL590	Box 1	CL719	Box 5
CL219	Box 5	CL400	Box 5	CL538	Box 3	CL591	Box 3	CL720	Box 3
CL220	Box 5	CL401	Box 5	CL539	Box 8	CL592	Box 3	CL721	Box 1
CL221	Box 7	CL402	Box 5	CL540	Box 3	CL593	Box 1	CL722	Box 3
CL222	Box 3	CL403	Box 5	CL541	Box 8	CL594	Box 3	CL723	Box 3
CL223	Box 7	CL404	Box 3	CL542	Box 3	CL595	Box 1	CL800	Box 1
CL224	Box 7	CL405	Box 1	CL543	Box 2	CL596	Box 5	CL801	Box 3
CL225	Box 3	CL406	Box 5	CL544	Box 5	CL597	Box 1	CL802	Box 5
CL226	Box 7	CL407	Box 3	CL545	Box 8	CL598	Box 2	CL803	Box 5
CL228	Box 5	CL408	Box 3	CL546	Box 8	CL599	Box 3	CL900	Box 3
CL229	Box 4	CL409	Box 5	CL547	Box 3	CL600	Box 3	CL901	Box 8
CL230	Box 4	CL410	Box 5	CL548	Box 3	CL601	Box 3	CL902	Box 1
CL231	Box 5	CL411	Box 3	CL549	Box 4	CL602	Box 1	CL903	Box 5
CL232	Box 4	CL412	Box 1	CL550	Box 3	CL603	Box 1	CL904	Box 1
CL233	Box 7	CL413	Box 3	CL551	Box 8	CL604	Box 3	CL905	Box 3
CL234	Box 1	CL414	Box 5	CL552	Box 3	CL605	Box 2	CL906	Box 5
CL235	Box 3	CL415	Box 3	CL553	Box 3	CL606	Box 2	CL907	Box 5
CL236	Box 1	CL416	Box 3	CL554	Box 3	CL607	Box 5	CL908	Box 1
CL237	Box 3	CL500	Box 2	CL555	Box 1	CL609	Box 5	CL909	Box 1
CL238	Box 4	CL501	Box 2	CL556	Box 1	CL610	Box 7	CL910	Box 3
CL239	Box 3	CL502	Box 3	CL557	Box 3	CL611	Box 3	CL911	Box 3
CL240	Box 3	CL503	Box 8	CL558	Box 5	CL612	Box 5	CL912	Box 3
CL241	Box 7	CL504	Box 5	CL559	Box 5	CL613	Box 5	CL913	Box 3
CL242	Box 7	CL505	Box 3	CL560	Box 2	CL614	Box 5	CL914	Box 3
CL243	Box 3	CL506	Box 5	CL561	Box 3	CL615	Box 4	CL915	Box 3
CL244	Box 7	CL507	Box 5	CL562	Box 2	CL616	Box 3	CL916	Box 3
CL245	Box 3	CL508	Box 5	CL563	Box 5	CL617	Box 2	CL917	Box 5
CL300	Box 2	CL509	Box 5	CL564	Box 1	CL618	Box 3	CL919	Box 2
CL301	Box 1	CL510	Box 3	CL565	Box 8	CL619	Box 1	CL920	Box 1
CL302	Box 5	CL511	Box 3	CL566	Box 1	CL620	Box 1	CL921	Box 3
CL303	Box 5	CL512	Box 1	CL568	Box 2	CL621	Box 3	CL922	Box 1
CL304	Box 5	CL513	Box 2	CL569	Box 2	CL622	Box 3	CL923	Box 1
CL305	Box 2	CL514	Box 5	CL570	Box 5	CL623	Box 1	CL924	Box 3
CL306	Box 2	CL515	Box 3	CL571	Box 3	CL624	Box 1	CL925	Box 5
CL307	Box 2	CL519	Box 4	CL572	Box 3	CL625	Box 3	CL926	Box 1
CL308	Box 5	CL520	Box 1	CL573	Box 8	CL626	Box 3	CL927	Box 3
CL309	Box 4	CL521	Box 3	CL574	Box 5	CL627	Box 3	CL928	Box 2
CL310	Box 1	CL522	Box 3	CL575	Box 3	CL628	Box 2	CL929	Box 3
CL311	Box 1	CL523	Box 8	CL576	Box 3	CL629	Box 3	CL930	Box 1
CL312	Box 3	CL524	Box 8	CL577	Box 3	CL700	Box 3	CL931	Box 3
CL313	Box 5	CL525	Box 3	CL578	Box 5	CL702	Box 1	CL932	Box 7
CL314	Box 1	CL526	Box 8	CL579	Box 3	CL705	Box 6	CL933	Box 5
CL315	Box 3	CL527	Box 7	CL580	Box 3	CL706	Box 3	CL934	Box 5
CL316	Box 3	CL528	Box 8	CL581	Box 1	CL707	Box 5		
CL317	Box 3	CL529	Box 8	CL582	Box 3	CL708	Box 3		
CL318	Box 3	CL530	Box 8	CL583	Box 3	CL709	Box 1		
CL319	Box 5	CL531	Box 4	CL584	Box 1	CL710	Box 6		
CL320	Box 3	CL532	Box 8	CL585	Box 3	CL711	Box 3		
CL321	Box 1	CL533	Box 3	CL586	Box 3	CL712	Box 2		

semidirect ignition T565B + CL711



ignition lead set комплект проводов зажигания sada zapalovacích kabelů	ignition coils катушки зажигания zapalovací cívky	
T100C	CL307	
T108B	CL548	
T186B	CL553	
T238P	CL552	
T247P	CL594	
T248P	CL572	
T295P	CL582	
T365C	-	
T382B	CL707	
T471G	CL404	
T508B	CL505	CL589
T533P	CL547	
T537P	-	
T539P	CL931	
T565B	CL708	CL711
T587P	CL580	
T594C	CL028	
T088B	CL028	
T599C	CL305	CL306
T623C	CL604	CL606
T624C	CL604	CL606
T743C	CL606	
T745B	CL515	
T967B	CL533	CL561
T982C	CL604	CL606
T010B	CL604	CL606
T994B	CL561	

sets and coils are delivered as different articles / комплектов проводов зажигания и катушек зажигания надо заказывать отдельно / sady a cívky se objednávají jako samostatné položky

Automotive bulbs
Автомобильные лампы
Automobilové žárovky



Automotive fuses
Автомобильные предохранители
Automobilové pojistky



Ignition lead sets
Комплекты проводов зажигания
Sady zapalovacích kabelů



Contacts:
TESLA BLATNÁ, a.s.
Palackého 644
388 15 Blatná
Czech Republic

E-mail: sales@tesla-blatna.cz
<http://www.tesla-blatna.cz>

Phone: +420 383 415 354
Telefax: +420 383 415 300

Контакты:
TESLA BLATNÁ, a.s.
Palackého 644
388 15 Blatná
Czech Republic

E-mail: sales@tesla-blatna.cz
<http://www.tesla-blatna.cz>

Тел: +420 383 415 354
Факс: +420 383 415 300

Kontakt:
TESLA BLATNÁ, a.s.
Palackého 644
388 15 Blatná

Prodej:
Telefon: 383 415 337
Telefax: 383 415 215

E-mail: prodej@tesla-blatna.cz
www.tesla-blatna.cz

Information included in this catalogue are up-to-date at the time of publication.
TESLA BLATNÁ, a.s. reserves the right to change the construction or design of the product without notice.
TESLA BLATNÁ, a.s. оставляет за собой право на изменение конструкции и дизайна указанных изделий.
Информации показанные в этом каталоге действуют в период его издания.

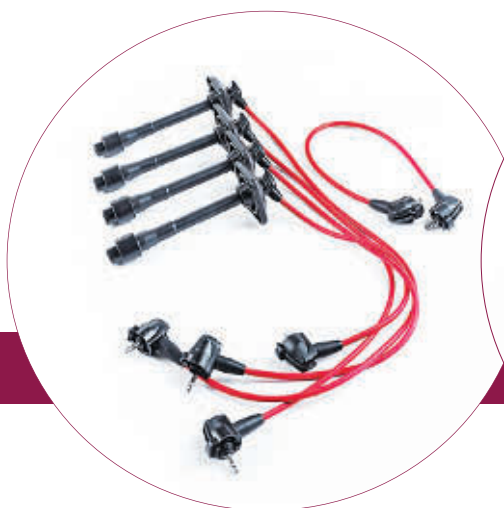
Výrobce si vyhrazuje právo změn v rámci technických zlepšení výrobků.
Informace udané v tomto katalogu jsou platné v době jeho vydání.

1st edition: 06 - 2016
1. издание: 06 - 2016
1. vydání katalogu: 06 - 2016



2017 - 2018

ZAPALOVACÍ CÍVKY
IGNITION COILS
КАТУШКИ ЗАЖИГАНИЯ
ZÜNDSPULEN
BOBINES D'ALLUMAGE
BOBINAS DE ENCENDIDO
BOBINE ACCENSIONE



2017 - 2018

ZAPALOVACÍ CÍVKY
IGNITION COILS

КАТУШКИ ЗАЖИГАНИЯ

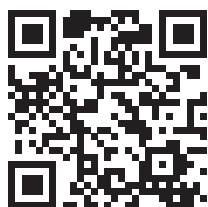
ZÜNDSPULEN

BOBINES D'ALLUMAGE

BOBINAS DE ENCENDIDO

BOBINE ACCENSIONE

www.tesla-blatna.cz



 **TESLA** | trusted by generations

TESLA BLATNÁ, a.s., Palackého 644, 388 15 Blatná, Czech Republic
e-mail: sales@tesla-blatna.cz, phone: +420 383 415 354, telefax: +420 383 415 300

www.tesla-blatna.cz